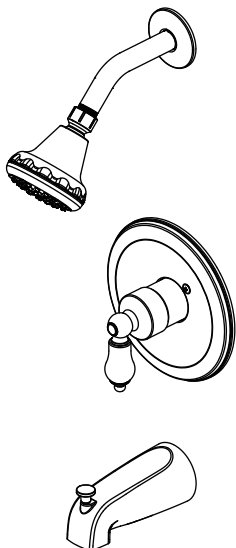


INSTALLATION AND CARE GUIDE

SINGLE-HANDLE TUB AND SHOWER FAUCET



Questions, problems, missing parts?

Before returning to the store, call Glacier Bay Customer Service
8 a.m. - 7 p.m., EST, Monday - Friday
9 a.m. - 6 p.m., EST, Saturday

1-855-HD-GLACIER (1-855-434-5224)

HOMEDEPOT.COM

THANK YOU

We appreciate the trust and confidence you have placed in Glacier Bay through the purchase of this tub and shower faucet. We strive to continually create quality products designed to enhance your home. Visit us online to see our full line of products available for your home improvement needs. Thank you for choosing Glacier Bay!

Table of Contents

Important Information	2	Installation	7
Warranty	2	Care and Cleaning	14
Pre-Installation	3	Troubleshooting.....	15
Planning Installation	3	Service Parts.....	16
Tools and Hardware Required	3		
Package Contents	6		

Important Information

- Do not install this product until you read and understand the instructions in this manual. If you are installing this product for someone else, leave this manual for the owner's/ user's reference.
- Inlet ports are designed to allow for 1/2 in. COPPER tubing solder connection or 1/2 in. IPS threading coupling connection. For threaded connections, wrap sealant tape around threaded ends before connecting. If soldering connections, certain inflammable parts should be removed prior to the soldering in order to avoid heat damage. If you are unsure how to properly remove these parts, please call us at 1-855-HD-Glacier.
- Protect your eyes with safety glasses when cutting or soldering water supply lines.
- **NOISE AND WATER HAMMER IN PEX SYSTEMS:** Due to the inherent flexibility of PEX compared with metallic plumbing materials, water hammer and noise can sometimes occur from the pressure surges. It is important to ensure the tubing is not in contact with wallboard, forced air ducts or other high-resonance materials. Clamping or strapping can help prevent these noises. **DO NOT USE PEX tubing from the valve to the tub spout.**

Warranty

LIMITED LIFETIME WARRANTY

Glacier Bay products are manufactured with superior quality standards and workmanship and are backed by our limited lifetime warranty. Glacier Bay products are warranted to the original consumer purchaser to be free of defects in materials or workmanship. We will replace **FREE OF CHARGE** any product or parts that prove defective. Simply, return the product / part to any of The Home Depot retail locations or call 1-855-HD-GLACIER (1-855-434-5224) to receive the replacement item. Proof of purchase (original sales receipt) from the original consumer purchaser must be made available for all Glacier Bay warranty claims.

This warranty excludes incidental/inconsequential damages and failures due to misuse, abuse or normal wear and tear. This warranty excludes all industrial, commercial & business usage, whose purchasers are hereby, extended a five year limited warranty from the date of purchase, with all other terms of this warranty applying except the duration of warranty.

Some states and provinces do not allow the exclusion or limitation of incidental or consequential damages, so the above limitations may not apply to you. This warranty gives you specific legal rights and you may also have other rights that vary from state to state and province to province. Please see a store or contact 1-855-HD-GLACIER for more details.

Pre-Installation

PLANNING INSTALLATION



ADVANCED INSTALLATION: Consult a plumber or professional before installing this product.

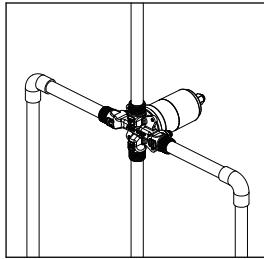
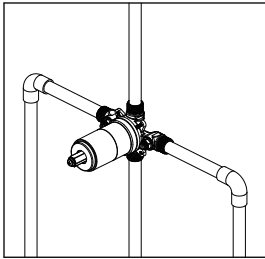
Before beginning the installation of this product, ensure all parts are present. Compare parts with the Package Contents list. If any part is missing or damaged, do not attempt to install the product. Contact customer service for replacement parts.

All installations can vary depending on how your previous faucet was installed. Not all supplies for faucet installation are included; however, they are available wherever plumbing supplies are sold. When choosing your installation supplies, make sure they are UPC and/or CSA approved products.

TOOLS AND HARDWARE REQUIRED

If you are replacing your plumbing valve, please review the four common plumbing methods illustrated below: COPPER, IPS, PEX and CPVC. Remove the existing handle and valve trim before replacing your valve. Please follow all local building and plumbing codes.

A. COPPER (Before soldering, remove the cartridge & stop valves from the valve)



Safety goggles



Measuring tape



Tube cutter



Key hole saw



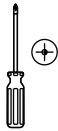
Thermometer



Thread sealant tape



Adjustable wrench



Phillips screwdriver



Flathead screwdriver



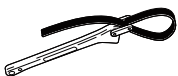
Silicone sealant



Flashlight



Wire brush



Strap wrench



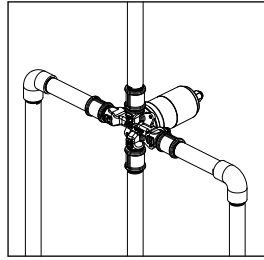
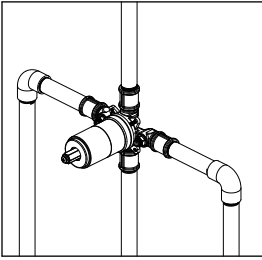
Torch



Lead-free solder Kit

Pre-Installation (continued)

B. IPS



Safety goggles



Measuring tape



Tube cutter



Key hole saw



Thermometer



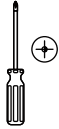
Thread sealant tape



Pipe wrench



Adjustable wrench



Phillips screwdriver



Flathead screwdriver



Silicone sealant

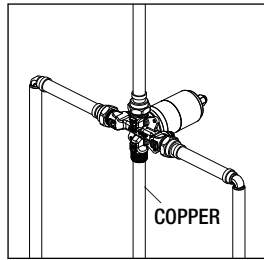
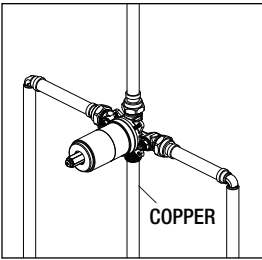


Flashlight



Strap wrench

C. PEX+COPPER



Safety goggles



Measuring tape



Tube cutter



Key hole saw



Thermometer



Thread sealant tape



Full circle crimping tool



Adjustable wrench



Phillips screwdriver



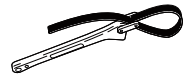
Flathead screwdriver



Silicone sealant



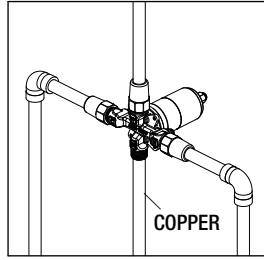
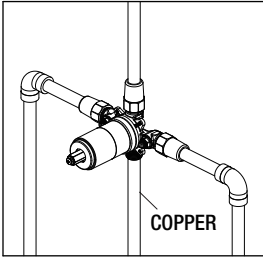
Flashlight



Strap wrench

Pre-Installation (continued)

D. CPVC+COPPER



Safety goggles



Measuring tape



Tube cutter



Key hole saw



Thermometer



Thread sealant tape



Flashlight



Adjustable wrench



Phillips screwdriver



Flathead screwdriver



Silicone sealant



Strap wrench



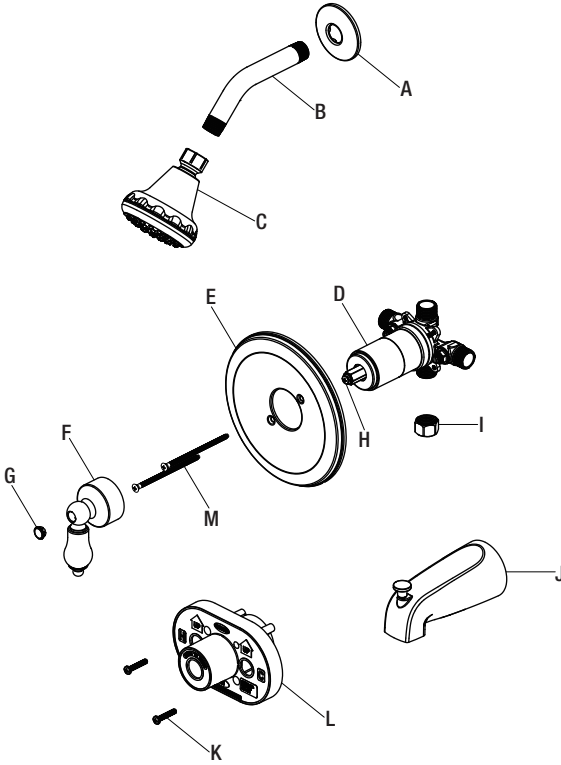
CPVC cement



CPVC cleaner

Pre-Installation (continued)

PACKAGE CONTENTS



Part	Description	Quantity
A	Shower flange	1
B	Shower arm	1
C	Shower head	1
D	Valve body	1
E	Escutcheon	1
F	Handle	1
G	Index	1
H	Screw	1
I	Plug	1
J	Tub spout	1
K	Screw	2
L	Plaster guard	1
M	Escutcheon screw	2

Installation

1 Preparing for installation



CAUTION: Always turn off the water supply before removing an existing faucet or replacing any part of a faucet. Open the faucet handle to relieve water pressure and ensure that the water is completely shut off.

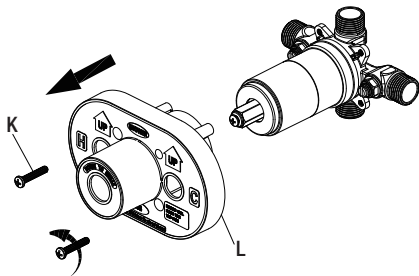
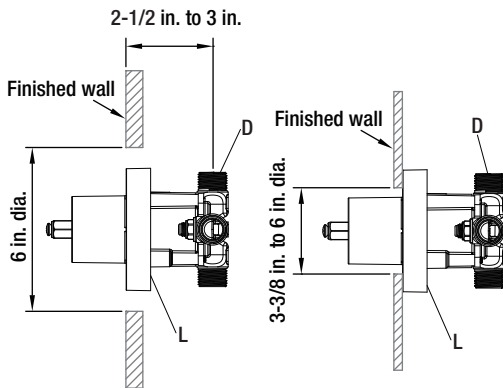
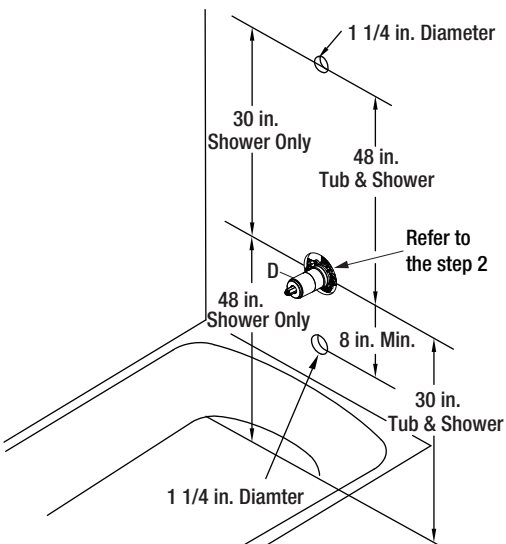
- Shut off the water supply to the tub and shower.
- Verify that the hole sizes and positions of the holes in the wall are correct
 - The shower and tub spout outlet holes should be 1-1/4 in. diameter.
 - Refer to Step 2 for valve access hole dimensions.
 - The recommended valve depth to the finished wall is 2-1/2 in. min. to 3 in. max.
- Ensure that the valve body (D) cover is flush with the finished exterior surface of the wall. Position the valve body (D) correctly in the wall with the side marked "UP" pointing up. The 8 in. minimum from the valve body (D) to the tub spout (J) is required for proper operation.

2 Installing the valve body and removing the plaster guard

- **A. Thin Wall Installation**
"Thin Walls" are usually built up with materials such as fiberglass tub surrounding them and will be the main source of support for the valve. The plaster guard (L) remains attached to the valve.
- **B. Thick Wall Installation**
"Thick Walls" are usually built up with materials such as cement board, drywall, tile, etc. The plaster guard (L) is positioned so that it is flush with the finished wall. This ensures that the valve will be at the correct position to accept the trim. The depth for the valve body (D) in wall is measured from the center of the shower outlet to the finished wall surface. The accepted depth distance is 2-1/2 in. to 3 in..
- Unscrew the screws (K), and remove the plaster guard (L).



NOTE: Be sure to position the valve body (D) correctly in the wall, with the side marked "UP" facing upward.



3 Installing the supply connections

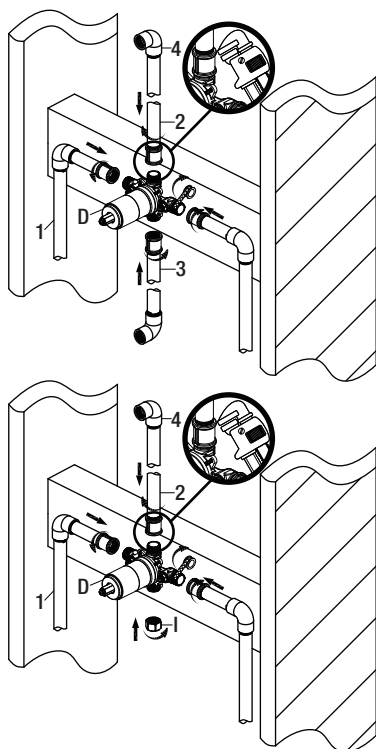


NOTE: The hot water supply lines go into the "H" inlet, and the cold water supply lines go into the "C" inlet. Do not use PEX or CPVC between the valve body (D) and tub spout (J).

- Wrap thread sealant tape (not included) around the pipe threads in a clockwise direction, as shown.
- Connect the hot and cold water supply lines (1, not included), the shower outlet pipe (2, not included), and tub outlet pipe (3, not included) by threading them into the valve body (D) in a clockwise direction.
- Tighten the pipes to the valve body (D) with a pipe wrench (not included).
- Connect the pipe elbows (4, not included) to the end of the shower outlet and tub outlet pipes.



NOTE: If you do not wish to install the tub outlet, insert the plug (I) into the bottom of the valve body (D).

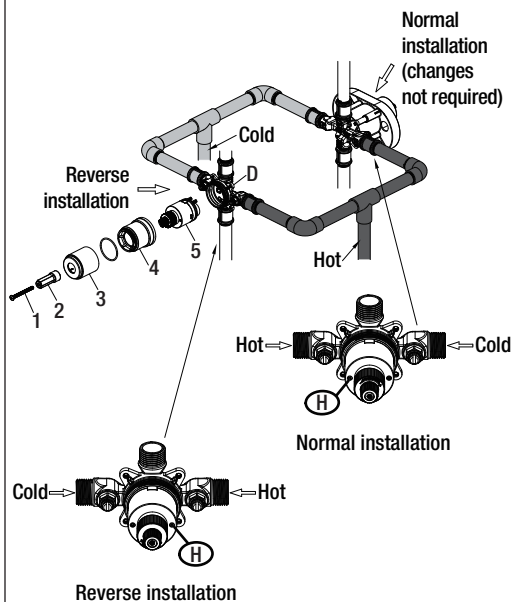


4 Back to back installation

- If the hot and cold inlets are reversed (hot on right and cold on left), remove the screw (1), inverter (2), sleeve (3), and bonnet (4) from the valve body (D) with reversed supply connections. Rotate the cartridge (5) 180°, so H appears on the right. Install the cartridge making sure that the key is fully engaged with the slot in the valve body (D). Slide the bonnet (4) over the cartridge (5) and thread them onto the valve body (D). Hand tighten securely. Reassemble the sleeve (3), inverter (2) and screw (1). If you are not making a reverse or back to back installation, skip this step and continue with the step 5.

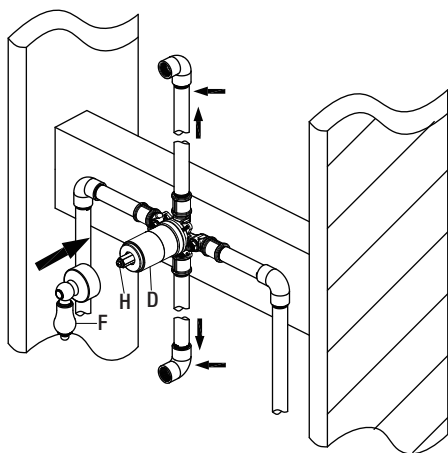


NOTE: Never install the valve body (D) upside down!



5 Flushing the water outlets and checking for leaks

- Loosen the screw (H).
- Place the handle (F) on the valve body (D) inverter and turn the handle (F) to the full on mixed position. Turn on the hot and cold water supply lines and allow the water to flow from the outlets for one minute, or until all foreign matter has been flushed out. Check for leaks.
- Shut off the water at the faucet and supply lines. Remove the handle (F).

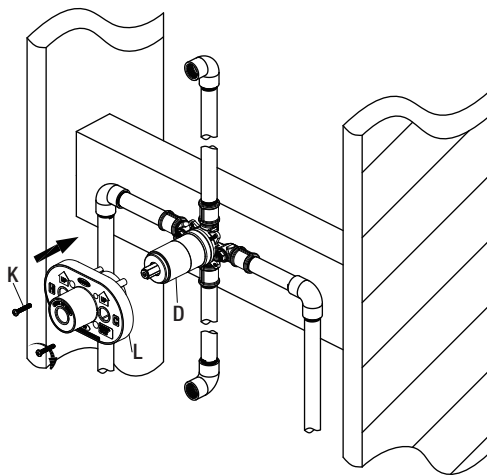


6 Installing the plaster guard

- Place the plaster guard (L) onto the valve body (D) and secure with the screws (K).

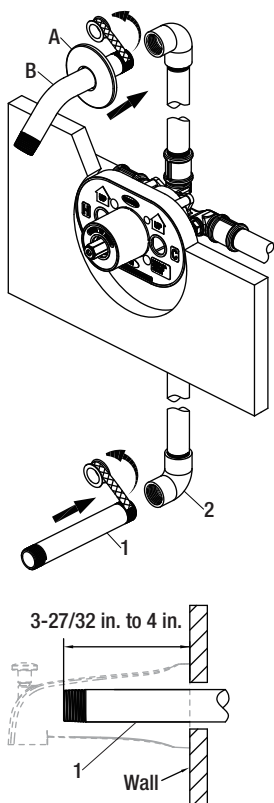


NOTE: Be sure to position the plaster guard (L) correctly onto the valve body (D), with the side marked "SHOWER" facing upward.



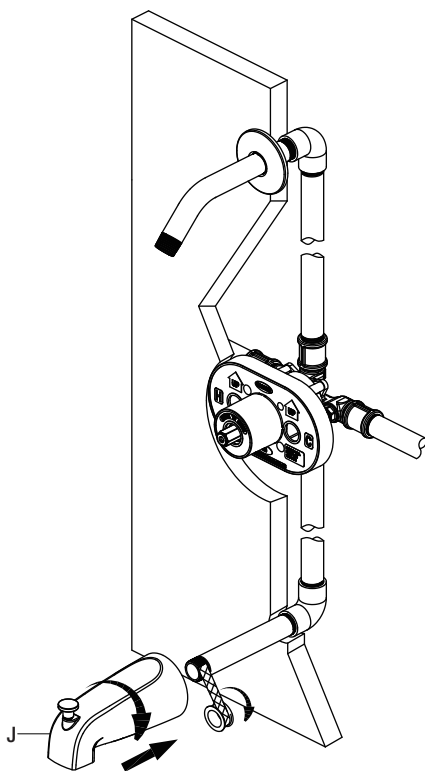
7 Installing the shower arm

- Insert the long end of the shower arm (B) through the shower flange (A), and wrap thread sealant tape (not included) around the long end of the shower arm (B) in a clockwise direction, as shown.
- Install the long end of the shower arm (B) into the pipe elbow inside the wall. Carefully tighten the shower arm (B) with a clean strap wrench. Do not over tighten.
- Wrap thread sealant tape around the pipe threads of the tub spout outlet (1, not included) in a clockwise direction, as shown.
- Connect the tub spout outlet pipe (the tub spout outlet pipe should project 3-27/32 in. to 4 in. from the finished wall) to the lower pipe elbow (2, not included). Tighten the elbow and tub spout outlet pipe connections with a strap wrench.



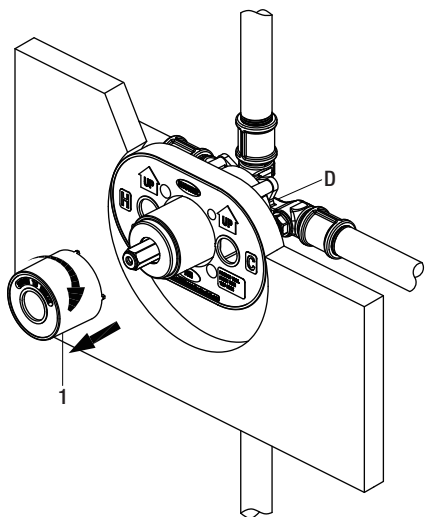
8 Installing the tub spout

- Wrap thread sealant tape around the pipe threads of the tub spout (J) outlet in a clockwise direction, as shown.
- Thread the tub spout (J) onto the threaded connection in a clockwise direction until the tub spout (J) becomes flush with the finished wall.
- Use the strap wrench to tighten the tub spout (J).



9 Removing the plastic cap

- Before installing the escutcheon (E), remove the plastic cap (1) from the valve body (D) by twisting the cap in a clockwise direction.



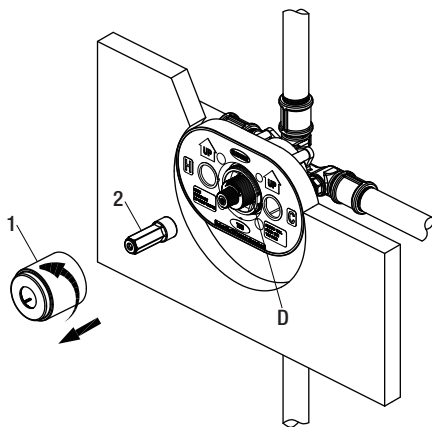
10 Adjusting the temperature



NOTE: The limiter on the valve can be set to allow partial or full access to hot water by limiting how far the handle can be turned to the hot side of the valve. The limiter is typically set at the factory to allow only warm water to pass through the valve. Follow the directions in this section if you wish to adjust the amount of hot water that is allowed through the valve. If you do not wish to adjust the amount of hot water that is allowed through the valve, proceed to the step 11, and skip over the step 10 (A, B, C).

A Removing the sleeve and inverter

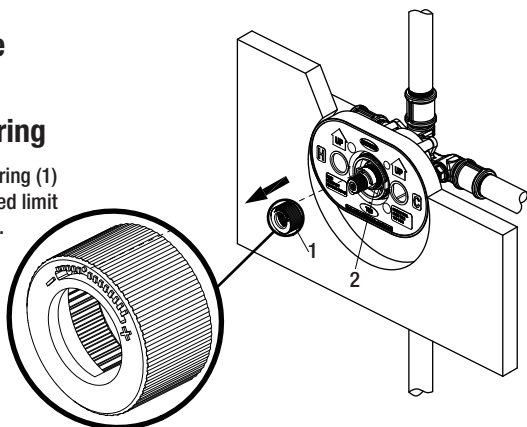
- Unscrew the sleeve (1) from the valve body (D).
- Remove the inverter (2) from the valve body (D).



10 Adjusting the temperature

B Removing the red limit stop ring

- Remember the position of the red limit stop ring (1) on the cartridge assembly (2). Remove the red limit stop ring (1) from the cartridge assembly (2).



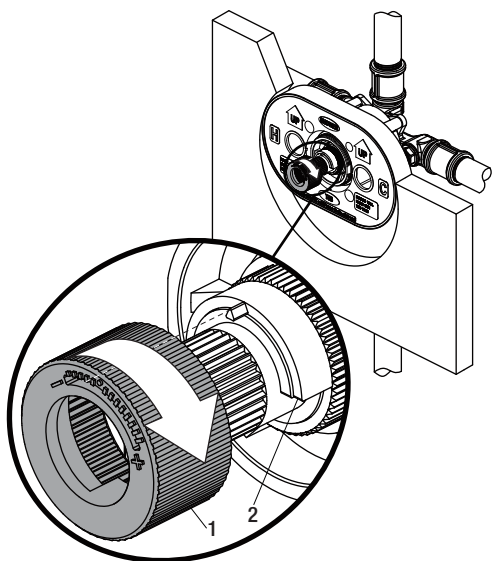
C Adjusting the desired maximum water temperature

- For colder water, adjust the red limit stop ring (1) in a clockwise direction and reinstall the red limit stop ring (1) onto the cartridge assembly (2).
- For hotter water, adjust the red limit stop ring (1) in a counterclockwise direction and reinstall the red limit stop ring (1) onto the cartridge assembly (2).

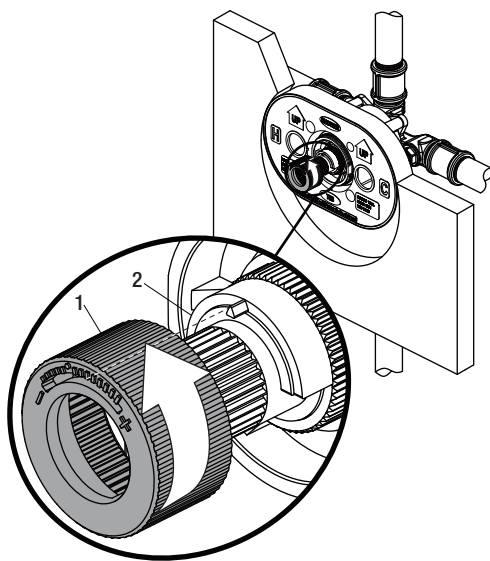


NOTE: A thermometer (not included) can be held in the running water to aid in reaching the desired water temperature.

For colder water



For hotter water



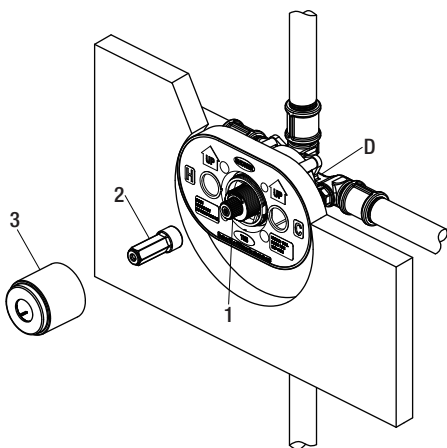
10 Adjusting the temperature

D Reinstalling the inverter and sleeve



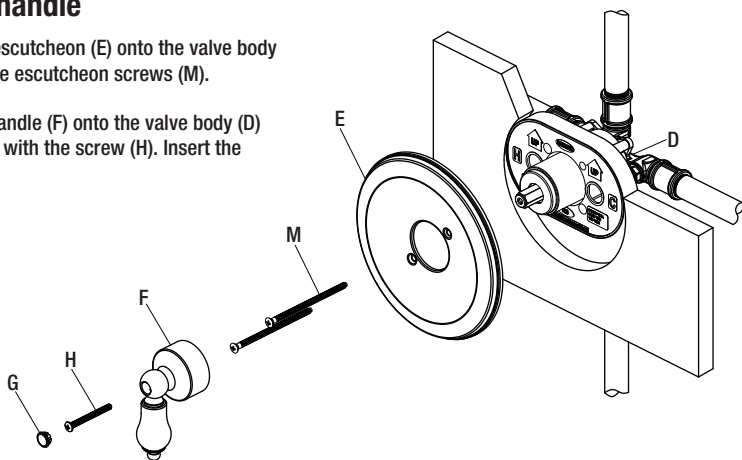
NOTE: Rotate the cartridge stem (1) clockwise to turn off the water before you install the handle.

- Place the inverter (2) onto the valve body (D) and rotate the inverter (2) with notch facing down.
- Screw the sleeve (3) onto the valve body (D).



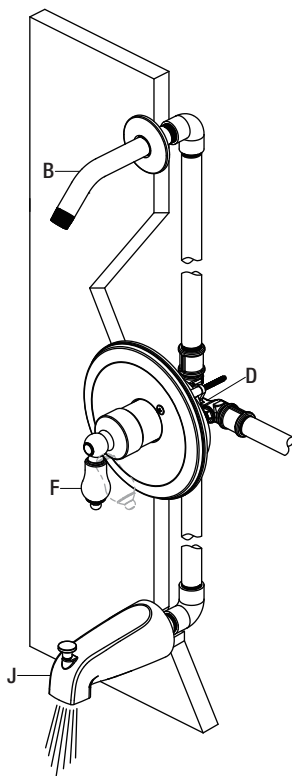
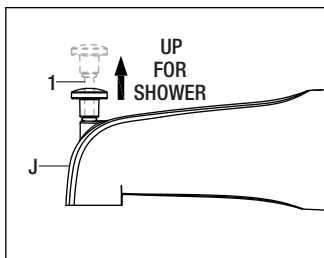
11 Installing the escutcheon and handle

- Install the escutcheon (E) onto the valve body (D) using the escutcheon screws (M).
- Place the handle (F) onto the valve body (D) and tighten with the screw (H). Insert the index (G).



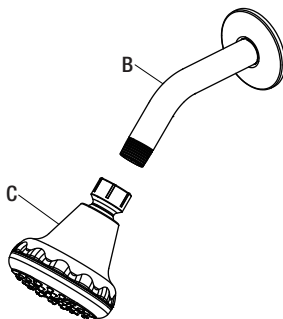
12 Checking for leaks

- Turn the handle (F) to the full on mixed position.
- When the valve body (D) is turned on, water normally flows through the tub spout (J). To activate the shower, turn the valve on and pull the knob (1) up. Hold the knob (1) until the water flows continuously from the shower arm (B). Check for leaks.
- Shut off the water at the faucet and supply lines.



13 Installing the shower head

- Attach the shower head (C) to the shower arm (B). Carefully tighten the shower head (C) with a clean strap wrench.



Care and Cleaning

- To clean, wipe down with a damp cloth and dry with a towel.
- Do not use abrasive cleaners, steel wool, or harsh chemicals when cleaning this faucet, or the warranty will be voided.

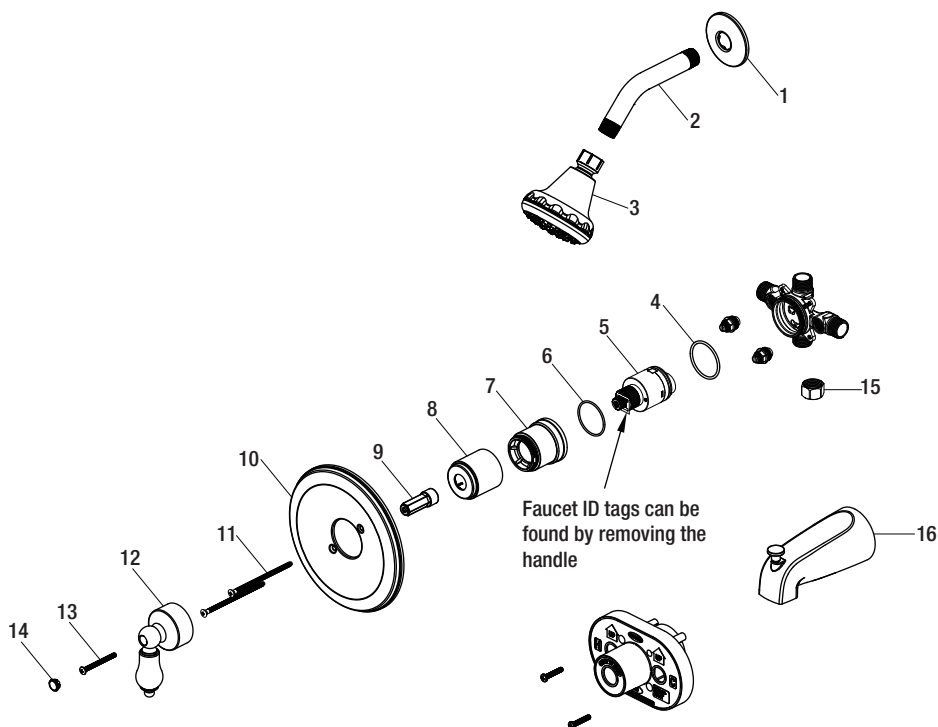
Troubleshooting



NOTE: Refer to the Service Parts section in this manual for a detailed drawing showing the location of the parts listed below.

Problem	Possible Cause	Solution
Hot and cold are reversed.	The lines are reversed or the cartridge is installed upside down.	<input type="checkbox"/> Rotate the cartridge stem 180° so that the notch is facing down towards the drain.
There is no flow or a low water flow.	One or both water supplies are not turned on.	<input type="checkbox"/> Turn both water supply valves counterclockwise to the on position.
There is leaking or dripping from the spout when the handle is closed.	The grommets are not sealing properly.	<input type="checkbox"/> Replace the cartridge.
Water comes out of the tub spout and showerhead at the same time.	<p>If the pattern of the water flow switches to the shower from the tub spout, and the leak from the tub spout is less than 0.01 GPM, this is a normal occurrence. Or consider the causes below:</p> <p>! The pipe used between the valve and the tub spout is not 1/2 in. IPS, or the COPPER pipe is incorrect.</p> <p>! The distance between the valve and the showerhead is less than 48 in..</p> <p>! There is a restriction between the valve and the tub spout.</p> <p>! The valve is installed upside down.</p>	<input type="checkbox"/> Change the pipe to IPS or COPPER. <input type="checkbox"/> The distance from the showerhead and valve moved to at least 48 in.. <input type="checkbox"/> Remove the tub spout and flush out debris and/or replace the undersized line or fittings. <input type="checkbox"/> Remove the valve and reinstall it using the correct orientation.
The temperature range is restricted.	The temperature limit stop is out of position.	<input type="checkbox"/> Refer to the section Adjusting the Temperature.
The handle cannot be installed or the handle rubs against the escutcheon.	The valve is installed too far back from the finished wall.	<input type="checkbox"/> Reinstall the valve (refer to Step 2 of the Installation section).
The handle is hard to turn.	The bonnet nut is too tight.	<input type="checkbox"/> Loosen the bonnet nut and reinstall it. Do not overtighten.

Service Parts



Part	Description	Part Number
1	Shower flange	RP38046*
2	Shower arm	RP38019*
3	Shower head	RP38328*
4	O-ring	RP60101
5	Cartridge	RP20075
6	O-ring	RP60091
7	Bonnet nut	RP7043701
8	Sleeve	RP80540*

Part	Description	Part Number
9	Inverter	RP70556
10	Escutcheon	RP80594*
11	Escutcheon screw	RP50197*
12	Handle assembly	RP17166*
13	Screw	RP50082
14	Index	RP10007*
15	Plug	RP70365
16	Spout	RP33019*

*Specify Finish

Many replacement cartridges, aerators, and drain assemblies can be purchased at your local The Home Depot store or online at HOMEDEPOT.COM



Questions, problems, missing parts?

Before returning to the store, call Glacier Bay Customer Service

8 a.m. - 7 p.m., EST, Monday - Friday

9 a.m. - 6 p.m., EST, Saturday

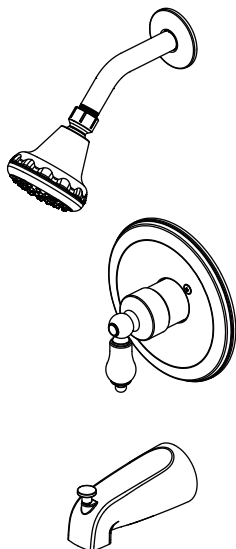
1-855-HD-GLACIER (1-855-434-5224)

HOMEDEPOT.COM

Retain this manual for future use.

GUÍA DE USO Y MANTENIMIENTO

GRIFO PARA BAÑERA Y DUCHA, DE UNA SOLA LLAVE



¿Problemas, preguntas o piezas faltantes?

Antes de regresar a la tienda, llama al servicio al cliente de Glacier Bay de lunes a viernes entre 8 a.m. y 7 p.m. y los sábados entre 9 a.m. y 6 p.m. (hora estándar del Este)

1-855-HD-GLACIER (1-855-434-5224)

HOMEDEPOT.COM

GRACIAS

Apreciamos la confianza que has depositado en Glacier Bay al comprar este grifo para bañera y ducha. Nos esforzamos por crear continuamente productos de calidad diseñados para mejorar tu hogar. Visítanos en Internet para ver nuestra línea completa de productos disponibles para las necesidades de mejoras de tu hogar. ¡Gracias por elegir a Glacier Bay!

Tabla de contenido

Información importante	19	Instalación	24
Garantía.....	19	Cuidado y limpieza	31
Pre-instalación	20	Solución de problemas.....	32
Planificación de la instalación	20	Piezas de repuesto	33
Herramientas y herrajes necesarios....	20		
Contenido del paquete	23		

Información importante

- No instales este producto hasta que hayas leído y entendido las instrucciones de este manual. Si estás instalando este producto para alguien, déjale este manual para que le sirva como referencia al dueño/usuario.
- Los puertos de entrada están diseñados para 1/2 plg. Conexión de soldadura de tubería de COBRE o 1/2 plg. Conexión de acoplamiento de rosca IPS. Para conexiones roscadas, envuelve los extremos roscados con cinta selladora antes de conectar. Si vas a soldar las conexiones, algunas partes inflamables deben quitarse antes de la soldadura para evitar daños por calor. Si no estás seguro sobre cómo quitar estas partes, llámanos a 1-855-HD-Glacier.
- Al soldar o cortar las líneas de suministro de agua, protege tus ojos con gafas de seguridad.
- RUIDO Y GOLPE DE ARIETE EN SISTEMAS PEX: Debido a la flexibilidad inherente del PEX, en comparación con materiales de plomería metálicos, el ruido y golpe de ariete puede ocurrir de vez en cuando por sobrecargas de presión. Es importante garantizar que la tubería no esté en contacto con paneles de pared, ductos de aire propulsado u otros materiales de alta resonancia. La sujeción o anclaje son métodos para evitar estos ruidos. NO USES tuberías PEX desde la válvula al caño de la bañera.

Garantía

GARANTÍA LIMITADA DE POR VIDA

Los productos de Glacier Bay están fabricados con normas y mano de obra de calidad superior y están respaldados por nuestra garantía de por vida limitada. Glacier Bay garantiza al comprador consumidor original que sus productos no presentan defectos materiales o de fabricación. Reemplazaremos GRATIS cualquier producto o pieza defectuosos. Simplemente, devuelva el producto o pieza a cualquiera de las tiendas minoristas de The Home Depot o llame al 1-855-HD-GLACIER (1-855-434-5224) para recibir el artículo de reemplazo. El comprobante de compra (recibo de venta original) del comprador consumidor original debe estar disponible para todos los reclamos de garantía de Glacier Bay.

Esta garantía excluye daños y fallos incidentales/consecuenciales debido al mal uso, abuso o desgaste normal por el uso. Esta garantía excluye todos los usos industriales, comerciales y de negocios, a cuyos compradores se le extiende en la presente una garantía limitada de cinco años a partir de la fecha de compra, con todos los otros artículos de esta garantía que aplican excepto la duración de la garantía.

Algunos estados y provincias no permiten la exclusión o la limitación de los daños incidentales o consecuentes, por lo tanto, las limitaciones y exclusiones anteriores podrían no aplicarse a su caso. Esta garantía le otorga derechos legales específicos y también puede tener otros derechos que varían de un estado a otro. Por favor, vaya a una tienda o llame al 1-855-HD-GLACIER para obtener más detalles.

Pre-instalación

PLANIFICACIÓN DE LA INSTALACIÓN



INSTALACIÓN AVANZADA: Consulta a un plomero o profesional antes de instalar este producto.

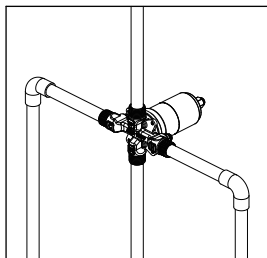
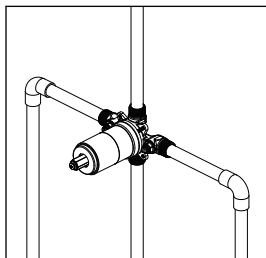
Antes de comenzar la instalación de este producto, asegúrate de que no falta ninguna pieza. Compara las piezas con la lista de Contenido del paquete. Si falta alguna pieza o está dañada, no intentes instalar el producto. Comunícate con el servicio al cliente para piezas de repuesto.

Todas las instalaciones pueden variar en dependencia de cómo estaba instalado el grifo anterior. No se incluyen todos los suministros para la instalación del grifo; sin embargo, están disponibles dondequiera que se vendan suministros de plomería. Al elegir tus suministros de instalación, asegúrate de que son productos aprobados por UPC y/o CSA.

HERRAMIENTAS Y HERRAJES NECESARIOS

Si estás cambiando tu válvula de plomería, consulta los cuatro métodos comunes que aparecen más abajo: COBRE, IPS, PEX y CPVC. Quita la manija y el regulador de válvula preexistentes antes de reemplazar tu válvula. Cumple con todos los códigos locales de construcción y plomería.

A. COBRE (Antes de soldar, quita el cartucho y las válvulas de cierre del cuerpo de la válvula)



Gafas de seguridad



Cinta métrica



Cortador de tuberías



Serrucho de punta



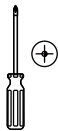
Termómetro



Cinta selladora para roscas



Llave ajustable



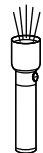
Destornillador Phillips



Destornillador de cabeza plana



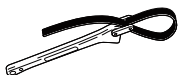
Sellador de silicona



Linterna



Cepillo de alambre



Llave de correa



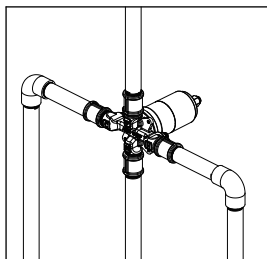
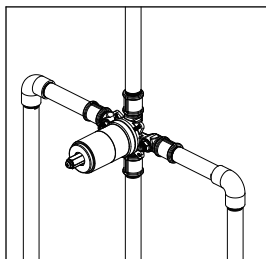
Soplete



Kit de alambre de soldadura sin plomo

Pre-instalación (continuación)

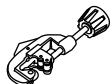
B. IPS



Gafas de seguridad



Cinta métrica



Cortador de tuberías



Serrucho de punta



Termómetro



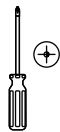
Cinta selladora para roscas



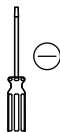
Llave para tubería



Llave ajustable



Destornillador Phillips



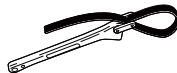
Destornillador de cabeza plana



Sellador de silicona

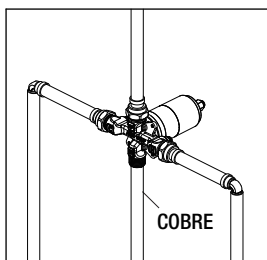
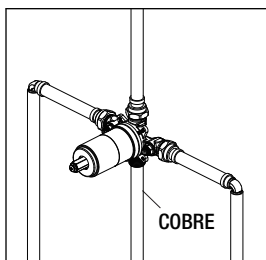


Linterna



Llave de correa

C. PEX+COBRE



Gafas de seguridad



Cinta métrica



Cortador de tuberías



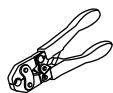
Serrucho de punta



Termómetro



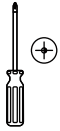
Cinta selladora para roscas



Herramienta para engazar de círculo completo



Llave ajustable



Destornillador Phillips



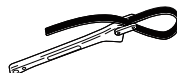
Destornillador de cabeza plana



Sellador de silicona



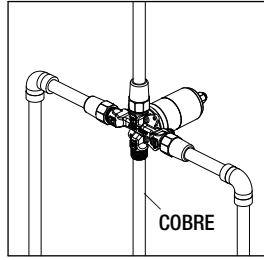
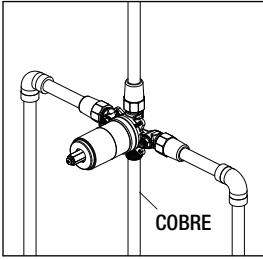
Linterna



Llave de correa

Pre-instalación (continuación)

D. CPVC+COBRE



Gafas de seguridad



Cinta métrica



Cortador de tuberías



Serrucho de punta



Termómetro



Cinta selladora para roscas



Linterna



Llave ajustable



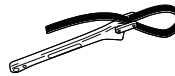
Destornillador Phillips



Destornillador de cabeza plana



Sellador de silicona



Llave de correa



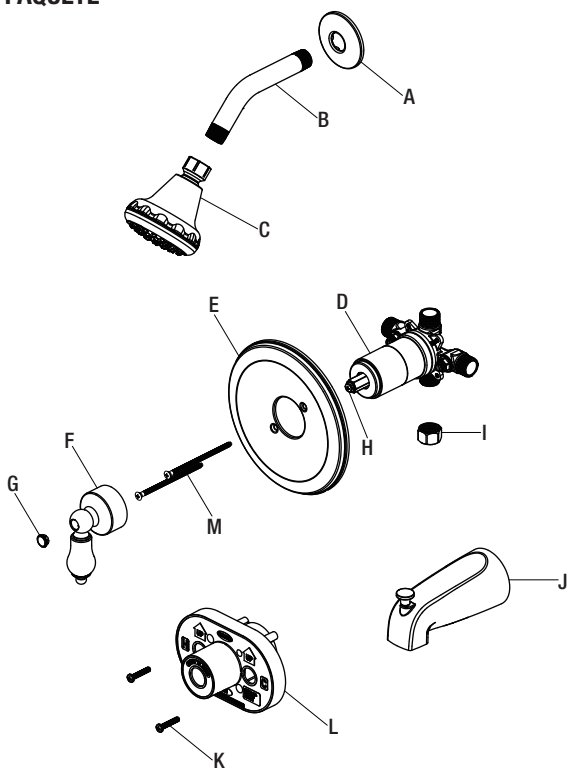
Cemento CPVC



Limpiador CPVC

Pre-instalación (continuación)

CONTENIDO DEL PAQUETE



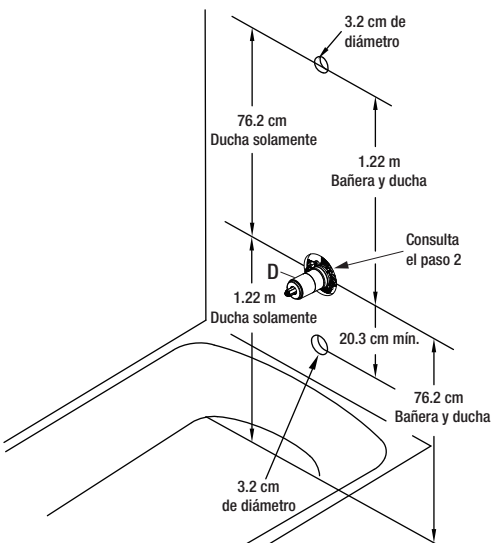
Pieza	Descripción	Cantidad
A	Brida de la ducha	1
B	Brazo de la ducha	1
C	Cabezal de la ducha	1
D	Cuerpo de la válvula	1
E	Placa protectora	1
F	Llave	1
G	Índice	1
H	Tornillo	1
I	Tapón	1
J	Caño de la bañera	1
K	Tornillo	2
L	Protector de yeso	1
M	Tornillo de la placa protectora	2

1 Cómo prepararse para la instalación



PRECAUCIÓN: Cierra siempre el suministro de agua antes de quitar un grifo existente o reemplazar cualquier pieza de un grifo. Abre la llave del grifo para liberar la presión de agua y asegúrate de que el suministro de agua esté completamente cerrado.

- Cierra el suministro de agua a la bañera y a la ducha.
- Verifica que el tamaño y la posición de los orificios en la pared sean correctos:
 - Los orificios de salida del caño de bañera y ducha deben ser de 3.2 cm de diámetro.
 - Consulta el paso 2 para las dimensiones del orificio de acceso de la válvula.
 - La profundidad recomendada de la válvula a la pared acabada es de un mínimo de 6.4 cm a un máximo de 7.6 cm.
- Asegúrate de que la cubierta del cuerpo de la válvula (D) esté al ras de la superficie exterior con acabado de la pared. Coloca el cuerpo de la válvula (D) correctamente en la pared con el lado de la marca "UP" hacia arriba. Para funcionamiento adecuado, se requieren 20.3 cm de separación mínima entre el cuerpo de la válvula (D) y el caño de la bañera (J).



2 Cómo instalar el cuerpo de la válvula y quitar el protector de yeso

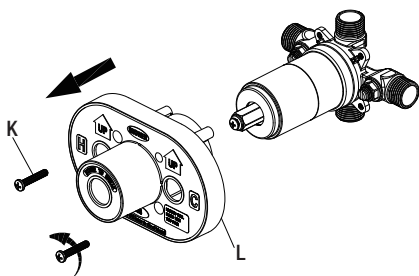
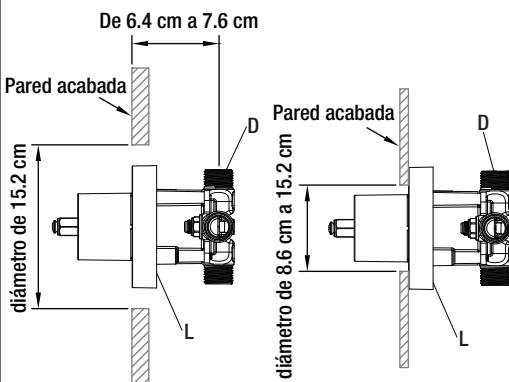
- A. Instalación en pared fina

Las "paredes finas" usualmente se levantan con materiales tales como cerramiento de bañera de fibra de vidrio y serán la principal fuente de apoyo para la válvula. El protector de yeso (L) permanece unido a la válvula.
- B. Instalación en pared gruesa

Las "paredes gruesas" usualmente se construyen con materiales tales como placas de cemento, drywall, losa, etc. El protector de yeso (L) se coloca de forma tal que esté al ras con la pared acabada. Esto garantiza que la válvula estará en la posición correcta para aceptar el regulador. La profundidad del cuerpo de la válvula (D) en la pared se mide desde el centro de la salida de la ducha hasta la superficie con acabado de la pared. La profundidad aceptada es de 6.4 cm a 7.6 cm.
- Desenrosca los tornillos (K) y retira el protector de yeso (L).



NOTA: Asegúrate de colocar el cuerpo de la válvula (D) correctamente en la pared, con el lado de la marca "UP" hacia arriba.



Instalación (continuación)

3 Cómo instalar las conexiones de suministro

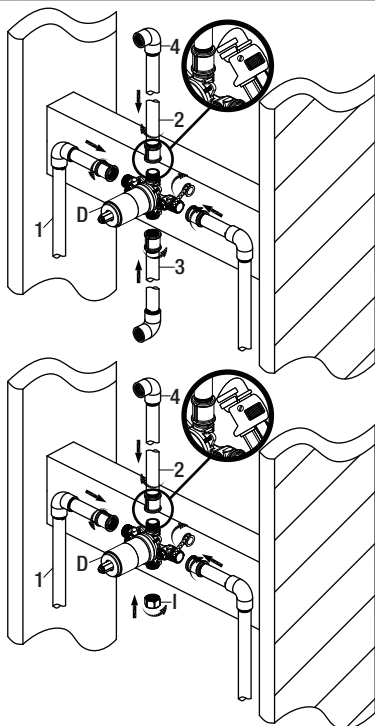


NOTA: Las líneas de suministro de agua caliente van en la entrada "H" y las de agua fría, en la entrada "C". No uses PEX ni CPVC entre el cuerpo de la válvula (D) y el caño de la bañera (J).

- Coloca cinta selladora para roscas (no incluido) alrededor de las roscas de la tubería en dirección de las manillas del reloj, tal como muestra el diagrama anterior.
- Conecta los suministros de agua caliente y fría (1, no incluido), la tubería de salida de la ducha (2, no incluido) y la tubería de salida de la bañera (3, no incluido) enroscándolas en dirección de las manillas del reloj en el cuerpo de la válvula (D).
- Aprieta las tuberías al cuerpo de la válvula con una llave para tubería (no incluido).
- Conecta los codos de la tubería (4, no incluido) al extremo de las tuberías de salida de la bañera y de la ducha.



NOTA: Si no deseas instalar la salida de la bañera, inserta el tapón (I) en la parte inferior del cuerpo de la válvula (D).

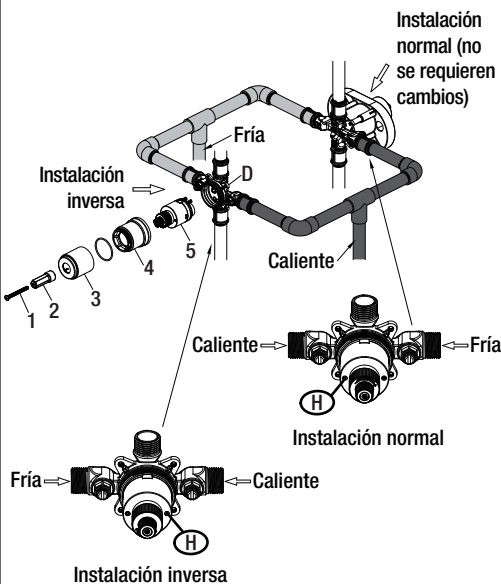


4 Instalación de parte posterior con posterior

- Si las entradas de agua caliente y fría se revierten (caliente a la derecha y fría a la izquierda), quita el tornillo (1), el inversor (2), la funda (3) y el bonete (4) del cuerpo de la válvula (D) con conexiones de suministro revertidas. Rota el cartucho (5) 180° de forma tal que H aparezca en la derecha. Instala el cartucho asegurándote de que la llave esté bien enganchada con la ranura en el cuerpo de la válvula (D). Desliza el bonete (4) sobre el cartucho (5) y enrosca en el cuerpo de la válvula (D). Aprieta bien con la mano. Vuelve a ensamblar la funda (3), el inversor (2) y el tornillo (1). Si no estás realizando una instalación inversa o de posterior con posterior, salta este paso y continúa con el paso 5.



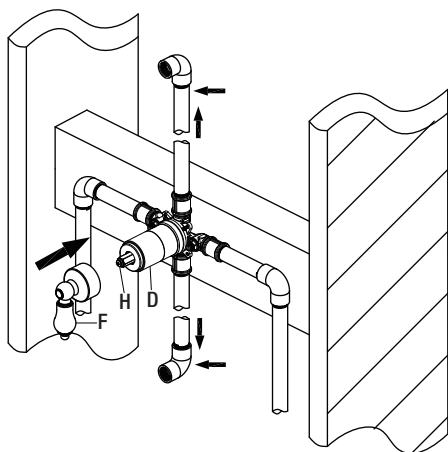
NOTA: ¡Nunca instales el cuerpo de la válvula (D) al revés!



Instalación (continuación)

5 Cómo purgar las salidas de agua y chequear que no haya fugas

- Afloja el tornillo (H).
- Coloca la llave (F) en el invertidor y gira la llave hasta la posición de mezclado completo. Abre las líneas de suministro de agua caliente y fría y deja que salga el agua durante un minuto o hasta que expulse todos los desechos. Verifica que no haya fugas.
- Cierra la llave de agua en el grifo y las líneas de suministro. Quita la llave (F).

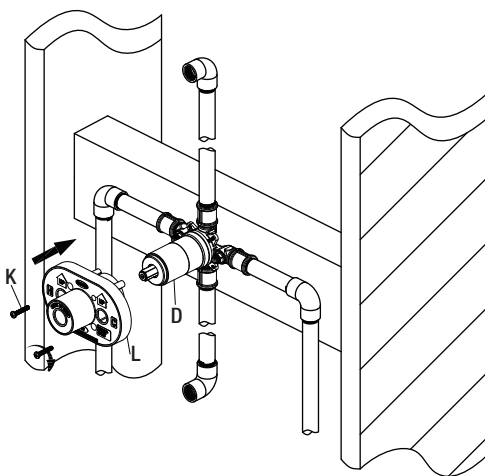


6 Cómo instalar el protector de yeso

- Coloca el protector de yeso (L) en el cuerpo de la válvula (D) y asegúralo con los tornillos (K).

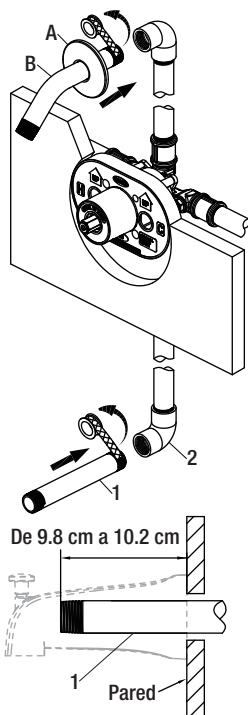


NOTA: Asegúrate de colocar el protector de yeso (L) correctamente sobre el cuerpo de la válvula (D), con el lado de la marca "SHOWER" (ducha) hacia arriba.



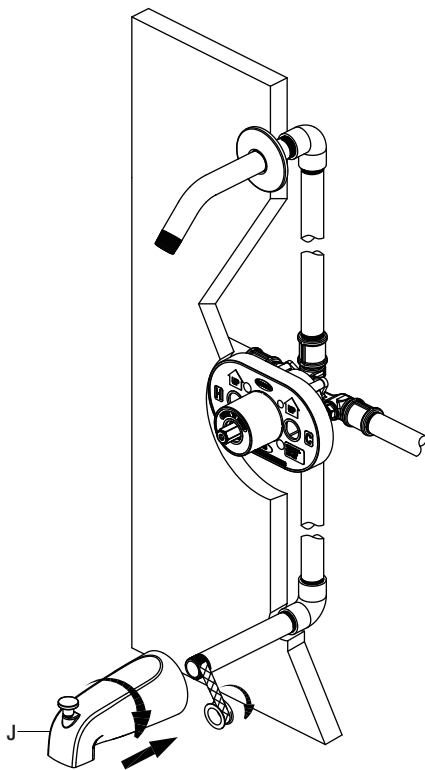
7 Cómo instalar el brazo de la ducha

- Inserta el extremo largo del brazo de la ducha (B) a través de la brida de esta (A) y coloca cinta selladora para rosca (no incluida) alrededor de aquel (B), en el sentido de las manecillas del reloj, tal como se muestra.
- Coloca el extremo largo del brazo de la ducha dentro del codo de tubería que está dentro de la pared. Aprieta con cuidado el brazo de la ducha con una llave de correa limpia. No aprietes demasiado ya que podrías dañar el brazo (B).
- Coloca cinta selladora para roscas alrededor de las roscas de la tubería del caño de la bañera (1, no incluido) en dirección de las manillas del reloj, tal como muestra el diagrama anterior.
- Conecta la tubería de salida del caño de la bañera (la tubería de salida del caño de la bañera debe salir de 9.8 cm a 10.2 cm de la pared terminada) al codo de la tubería inferior (2, no incluido). Aprieta los codos y las conexiones de la tubería de salida del caño de la bañera con una llave de correa.



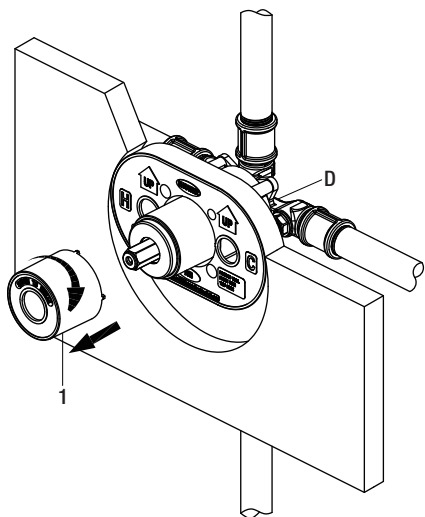
8 Cómo instalar el caño de la bañera

- Coloca cinta selladora para roscas alrededor de las roscas de la tubería de salida del caño de la bañera (J) en el sentido de las manecillas del reloj, tal como muestra el diagrama.
- Enrosca el caño de la bañera (J) hacia la derecha en la conexión de rosca, hasta que este (J) quede al ras de la pared con acabado.
- Usa la llave de correa para ajustar el caño de la bañera (J).



9 Cómo quitar la tapa de plástico

- Antes de instalar el escudete (E), quita la tapa plástica (1) del cuerpo de la válvula (D) girando la tapa en el sentido de las manecillas del reloj.



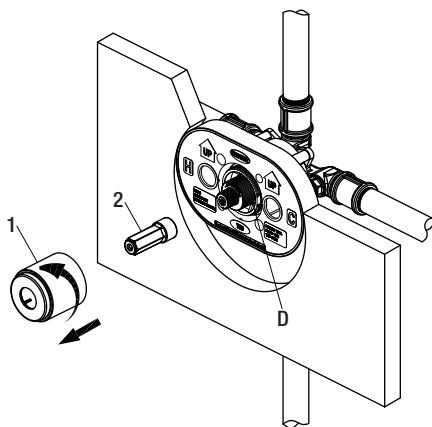
10 Cómo ajustar la temperatura



NOTA: El limitador de la válvula puede configurarse para permitir acceso parcial o total al agua caliente al limitar hasta dónde puede girarse la manija en el lado del agua caliente de la válvula. El limitador usualmente está configurado de fábrica para permitir sólo el paso de agua tibia a través de la válvula. Sigue las instrucciones de esta sección si deseas ajustar la cantidad de agua caliente que pasa a través de la válvula. Si no deseas ajustar la cantidad de agua caliente que pasa a través de la válvula, ignora el paso 10 (A, B, C) y continúa con el paso 11.

A Cómo quitar la manija, la funda y el inversor

- Desenrosca la funda (1) del cuerpo de la válvula (D).
- Quita el inversor (2) del cuerpo de la válvula (D).

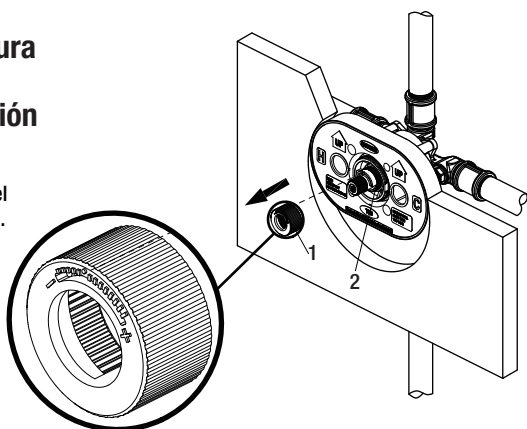


Instalación (continuación)

10 Cómo ajustar la temperatura

B Cómo quitar el aro de retención de límite rojo

- Recuerda la posición del aro de retención del límite rojo (1) en el conjunto del cartucho (2). Quita el aro del tope de límite rojo (1) del ensamblaje del cartucho (2).



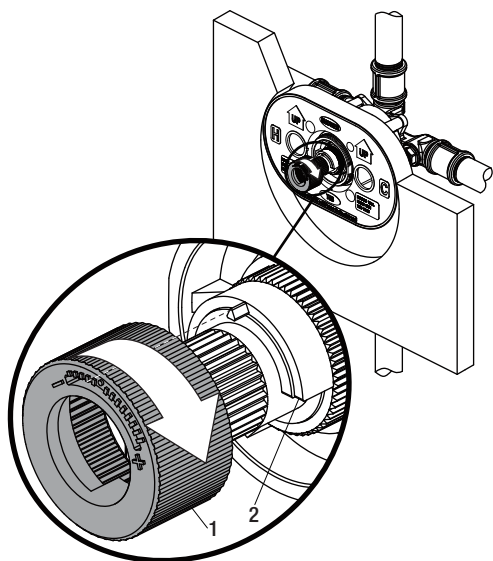
C Cómo ajustar la deseada temperatura máxima del agua

- Para agua más fría, ajusta el aro de retención del límite rojo (1) hacia la derecha y vuelve a instalarlo (1) en el conjunto del cartucho (2).
- Para agua más caliente, ajusta el aro de retención del límite rojo (1) hacia la izquierda y vuelve a instalarlo (1) en el conjunto del cartucho (2).

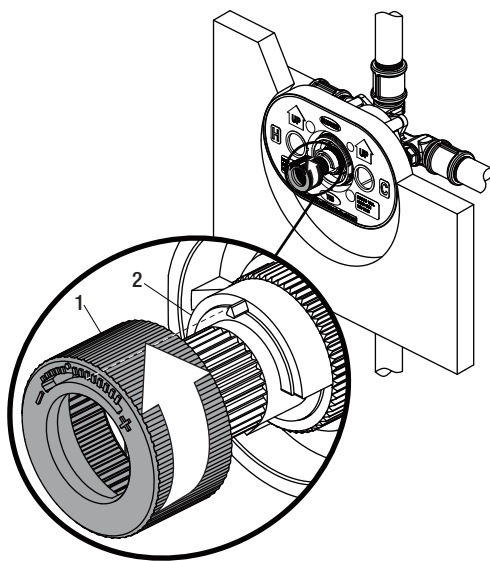


NOTA: Puede colocarse un termómetro (no incluido) en el agua corriente para ayudar a alcanzar la temperatura deseada del agua.

Para agua más fría



Para agua más caliente



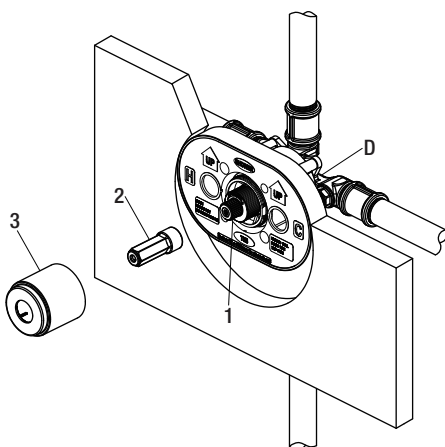
10 Cómo ajustar la temperatura

D Cómo reinstalar el inversor y la funda



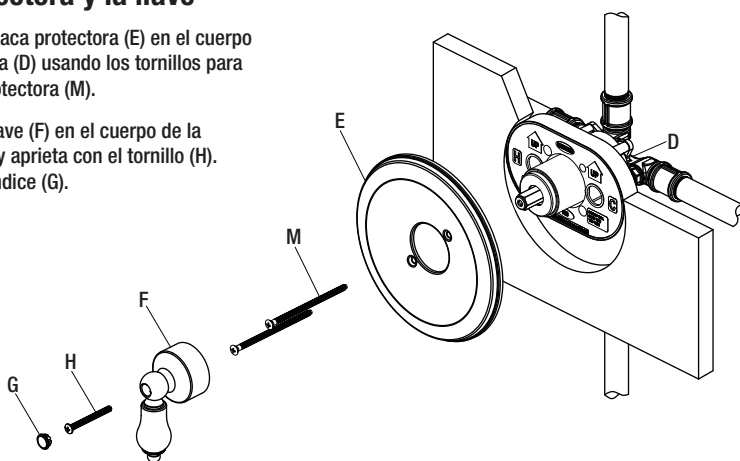
NOTA: Rota el vástago del cartucho (1) hacia la derecha para cortar el suministro de agua antes de instalar la manija.

- Coloca el inversor (2) en el cuerpo de la válvula (D) y gíralo (2) con la muesca hacia abajo.
- Enrosca la funda (3) en el cuerpo de la válvula (D).



11 Cómo instalar la placa protectora y la llave

- Instala la placa protectora (E) en el cuerpo de la válvula (D) usando los tornillos para la placa protectora (M).
- Coloca la llave (F) en el cuerpo de la válvula (D) y aprieta con el tornillo (H). Inserta el índice (G).

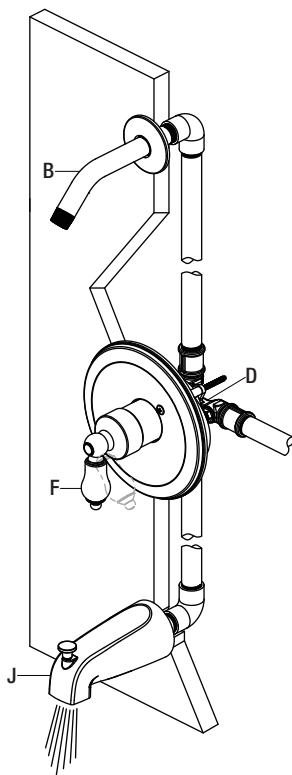
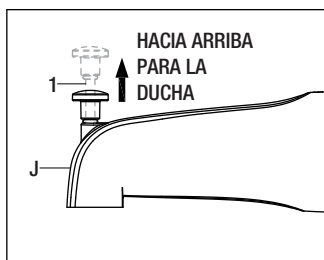


Instalación (continuación)

12

Cómo comprobar que no haya fugas

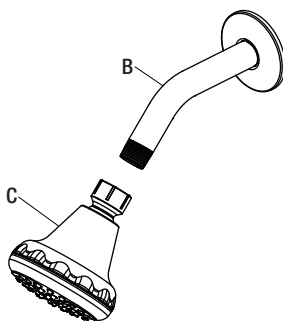
- Gira la manija (F) por completo hacia la posición de mezclado.
- Cuando el cuerpo de la válvula (D) está abierto, el agua sale normalmente por el caño de la bañera (J). Para activar la ducha, abre la válvula y hala la perilla (1) hacia arriba. Sostén la perilla (1) hasta que el agua corra de forma continua desde el brazo de la ducha (B). Verifica que no haya filtraciones.
- Cierra la llave de agua en el grifo y las líneas de suministro.



13

Cómo instalar el cabezal de la ducha

- Fija el cabezal de la ducha (C) en el brazo de la ducha (B). Aprieta con cuidado el cabezal de la ducha (C) con una llave de correa limpia.



Cuidado y limpieza

- Para limpiar, usa un paño húmedo y seca con una toalla.
- No uses limpiadores abrasivos, esponjas de alambre o productos químicos fuertes para limpiar esta mezcladora, pues ello anulará la garantía.

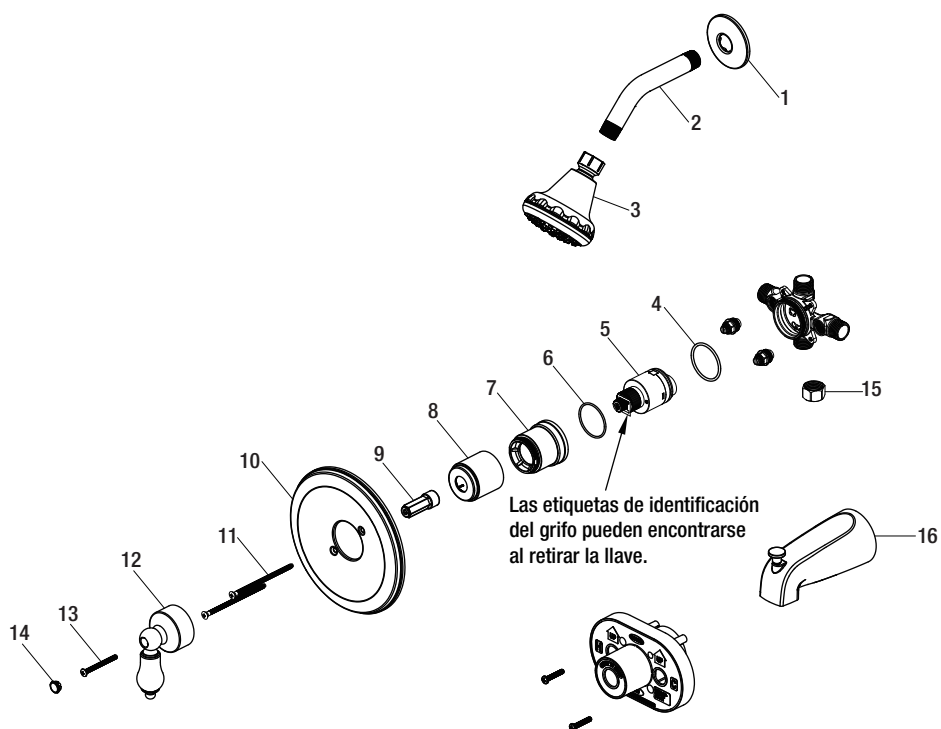
Solución de problemas



NOTA: Consulta en la sección de piezas de repuesto de este manual una ilustración detallada sobre la ubicación de las piezas enumeradas más abajo.

Problema	Posible causa	Solución
El agua fría y caliente están invertidas.	Las líneas están revertidas o el cartucho está instalado hacia abajo.	<ul style="list-style-type: none"> <input type="checkbox"/> Gira el vástago del cartucho 180° de forma tal que la muesca quede mirando hacia abajo en dirección al desagüe.
No hay flujo de agua o es insuficiente.	Una o ambas líneas de suministro de agua están cerradas.	<ul style="list-style-type: none"> <input type="checkbox"/> Gira las válvulas de suministro de agua hacia la izquierda hasta la posición de "abierto".
Hay una fuga o filtración desde el caño cuando la manija está cerrada.	Los remaches no están debidamente sellados.	<ul style="list-style-type: none"> <input type="checkbox"/> Reemplaza el cartucho.
Sale agua de la canilla de la bañera y del cabezal de la ducha al mismo tiempo.	<p>Si el patrón de flujo de agua cambia del caño de la bañera a la ducha y la filtración del caño es menor a 0.01 GPM, esto sería normal. O considera las siguientes causas:</p> <p>! La tubería usada entre la válvula y el caño de la bañera no es de 1/2 plg. Las tuberías IPS o de COBRE son incorrectas.</p> <p>! La distancia entre la válvula y el cabezal de la ducha es de menos de 1.22 m.</p> <p>! Hay una restricción entre la válvula y el caño de la ducha.</p> <p>! La válvula está instalada al revés.</p>	<ul style="list-style-type: none"> <input type="checkbox"/> Cambia la tubería a IPS o COBRE. <input type="checkbox"/> La distancia entre la válvula y el cabezal de la ducha varía a menos de 1.22 m. <input type="checkbox"/> Quita el caño de la bañera y deja correr el agua para eliminar residuos y/o reemplaza los acoples o líneas de tamaño insuficiente. <input type="checkbox"/> Quita la válvula y vuelve a instalarla con orientación adecuada.
El rango de temperatura es restringido.	El tope límite de temperatura está fuera de posición.	<ul style="list-style-type: none"> <input type="checkbox"/> Consulta la sección "Cómo ajustar la temperatura".
No se puede instalar la manija ni la manija roza con el escudete.	La válvula está instalada muy lejos hacia atrás de la pared acabada.	<ul style="list-style-type: none"> <input type="checkbox"/> Vuelve a instalar la válvula (consulta el paso 2 de la sección "Instalación").
Es difícil girar la manija.	La tuerca ciega está demasiado apretada.	<ul style="list-style-type: none"> <input type="checkbox"/> Afloja la tuerca ciega y vuelve a instalarla. No aprietes demasiado.

Piezas de repuesto



Pieza	Descripción	Número de Pieza
1	Brida de la ducha	RP38046*
2	Brazo de la ducha	RP38019*
3	Cabezal de la ducha	RP38328*
4	Aro tórico	RP60101
5	Cartucho	RP20075
6	Aro tórico	RP60091
7	Tuerca del bonete	RP7043701
8	Funda	RP80540*
9	Invertidor	RP70556

Pieza	Descripción	Número de Pieza
10	Placa protectora	RP80594*
11	Tornillo de la placa protectora	RP50197*
12	Ensamblaje de la llave	RP17166*
13	Tornillo	RP50082
14	Índice	RP10007*
15	Tapón	RP70365
16	Caño	RP33019*

*Especificar acabado

Muchos cartuchos de repuesto, aireadores y ensamblajes de drenaje pueden comprarse en tu tienda de The Home Depot local o por internet en WWW.HOMEDEPOT.COM



¿Problemas, preguntas o piezas faltantes?

Antes de regresar a la tienda, llama al servicio al cliente de Glacier Bay de lunes a viernes entre 8 a.m. y 7 p.m. y los sábados entre 9 a.m. y 6 p.m. (hora estándar del Este)

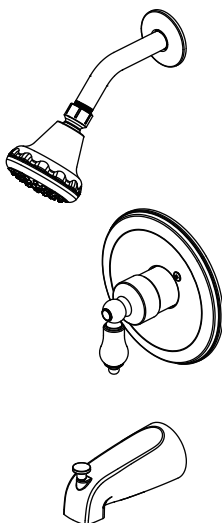
1-855-HD-GLACIER (1-855-434-5224)

HOMEDEPOT.COM

Conserva este manual para uso futuro.

GUIDE D'INSTALLATION ET D'ENTRETIEN

ROBINET DE BAIGNOIRE ET DOUCHE À MANETTE UNIQUE



Questions, problèmes, pièces manquantes?

Avant de retourner au magasin, appelez le service à la clientèle
Glacier Bay entre 8 h et 19 h, HNE, du lundi au vendredi au
entre 9 h et 18 h, HNE, le samedi au

1-855-HD-GLACIER (1-855-434-5224)

HOMEDEPOT.COM

MERCI

Nous vous remercions d'avoir fait confiance à Glacier Bay en achetant ce robinet de baignoire et de douche. Nous nous efforçons en permanence de créer des produits de qualité conçus pour perfectionner votre maison. Vous pouvez visiter notre site en ligne pour consulter notre gamme complète de produits pour vos besoins de rénovation résidentielle. Merci d'avoir choisi Glacier Bay!

Table des matières

Information importante	36	Installation	41
Garantie	36	Entretien et nettoyage	48
Pré-installation	37	Dépannage	49
Planification de l'installation	37	Pièces de rechange	50
Outils et quincaillerie requis	37		
Contenu de l'emballage	40		

Information importante

- N'installez pas ce produit avant d'avoir lu et compris les instructions de ce guide. Si vous installez ce produit pour une autre personne, veuillez laisser ce guide à titre de référence pour le propriétaire/utilisateur.
- Les orifices de prise d'air sont conçus pour permettre la liaison d'un tuyau en cuivre de 1,27 cm (1/2 po) par brasure ou le raccord d'accouplement par filetage IPS de 1,27 cm (1/2 po). Pour les connexions filetées, enveloppez le ruban d'étanchéité autour des extrémités filetés avant de raccorder. Pour les liaisons par brasure, certaines pièces inflammables doivent être retirées avant de souder afin d'éviter les dommages causés par la chaleur. Si vous n'êtes pas sûr de la façon de retirer ces pièces de manière appropriée, veuillez nous appeler au 1 855 HD-Glacier.
- Protégez vos yeux avec des lunettes protectrices lorsque vous coupez ou soudez les conduites d'alimentation en eau.
- **BRUIT ET COUPS DE BÉLIER DANS LES SYSTÈMES À POLYÉTHYLÈNE RÉTICULÉ** : En raison de la flexibilité inhérente du polyéthylène réticulé, comparé aux matériaux de plomberie métalliques, les coups de bélier et le bruit peuvent parfois se produire à cause d'augmentations momentanées de la pression. Il est important de vous assurer que la tuyauterie ne touche pas le panneau de revêtement, les conduits d'air pulsé ou autres matériaux à forte résonance. Une bride de serrage ou le cerclage peuvent empêcher ces bruits. **N'UTILISEZ PAS DE TUYAU EN POLYÉTHYLÈNE RÉTICULÉ DU ROBINET AU BEC DE BAIGNOIRE.**

Garantie

GARANTIE À VIE LIMITÉE

Les produits Glacier Bay sont fabriqués selon des normes de qualité et une exécution supérieures et sont couverts par notre garantie à vie limitée. Les produits Glacier Bay sont garantis à l'acheteur original être exempts de vices de matériaux ou de fabrication. Nous remplacerons GRATUITEMENT tout produit ou pièces qui s'avère (nt) défectueux (ses). Tout simplement, retournez le produit/pièce à l'un des magasins Home Depot ou composez le 1-855-HD-GLACIER (1-855-434-5224) pour recevoir un article de remplacement. Une preuve d'achat (facture originale) de l'acheteur original doit être disponible pour toute réclamation au titre de la garantie Glacier Bay.

Cette garantie exclut tous dommages indirects et accessoires et toutes les défaillances découlant d'une mauvaise utilisation, d'une utilisation abusive ou de l'usure et de la détérioration normales. Cette garantie exclut tout usage industriel ou commercial. Pour de tels usages, il est offert aux acheteurs par les présentes une garantie limitée de cinq ans à compter de la date d'achat, tous les termes de la garantie ci-dessus étant applicables à l'exception de la durée.

Certains états et provinces n'autorisent pas l'exclusion ou la restriction des dommages indirects et accessoires; par conséquent les restrictions précédentes pourraient ne pas s'appliquer à votre cas. En vertu de la présente garantie, vous bénéficiez de droits juridiques particuliers, toutefois d'autres droits peuvent s'appliquer selon la province où vous résidez. Pour de plus amples renseignements, rendez-vous dans un magasin ou composez le 1-855-HD-GLACIER.

Pré-installation

PLANIFICATION DE L'INSTALLATION



INSTALLATION PRÉALABLE : Consult a plumber or professional before installing this product.

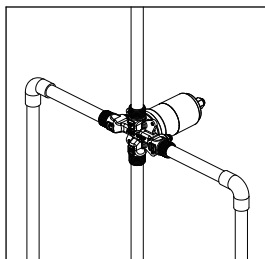
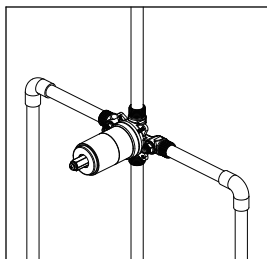
Avant de commencer l'assemblage de ce produit, assurez-vous que toutes les pièces sont présentes. Comparez les pièces avec la section Contenu de l'emballage. Si une pièce est manquante ou endommagée, ne tentez pas d'assembler ce produit. Communiquez avec le service à la clientèle pour obtenir des pièces de rechange.

Toutes les installations peuvent varier selon l'installation de votre robinet précédent. Les accessoires d'installation du robinet ne sont pas tous compris. Vous pouvez toutefois vous les procurer dans n'importe quel centre de plomberie. Au moment de choisir les accessoires d'installation, veillez à ce que les produits soient homologués CUP et/ou CSA.

OUTILS ET QUINCAILLERIE REQUIS

Si vous remplacez votre robinet de plomberie, veuillez consulter les quatre méthodes de plomberie ordinaires illustrées ci-dessous : CUIVRE, IPS, POLYÉTHYLÈNE RÉTICULÉ ET PVC-C. Retirez la manette et la garniture de robinet existantes avant de remplacer votre robinet. Veuillez suivre tous les codes du bâtiment et de la plomberie.

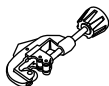
A. CUIVRE (Avant de souder, retirez la cartouche et les robinets d'arrêt du robinet)



Lunettes de protection



Ruban à mesurer



Coupe-tubes



Scie à guichet



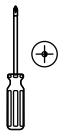
Thermomètre



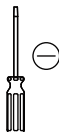
Ruban d'étanchéité pour joints filetés



Clé à molette



Tournevis cruciforme



Tournevis à tête plate



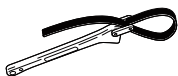
Mastic à la silicone



Lampe de poche



Brosse métallique



Clé à sangle



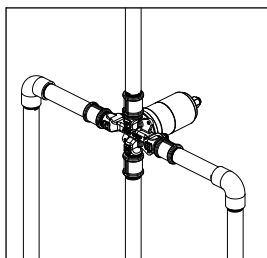
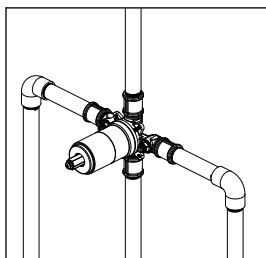
Torche



Trousse de brasure sans plomb

Pré-installation (suite)

B. IPS



Lunettes de protection



Ruban à mesurer



Coupe-tubes



Scie à guichet



Thermomètre



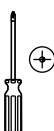
Ruban d'étanchéité pour joints filetés



Clé à tuyau



Clé à molette



Tournevis cruciforme



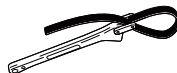
Tournevis à tête plate



Mastic à la silicone

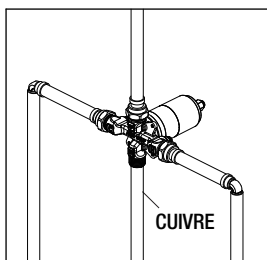
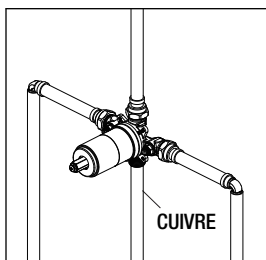


Lampe de poche



Clé à sangle

C. POLYÉTHYLÈNE RÉTICULÉ + CUIVRE



Lunettes de protection



Ruban à mesurer



Coupe-tubes



Scie à guichet



Thermomètre



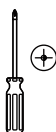
Ruban d'étanchéité pour joints filetés



Outil de sertissage à cercle complet



Clé à molette



Tournevis cruciforme



Tournevis à tête plate



Mastic à la silicone



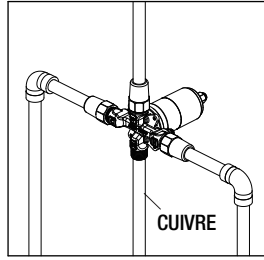
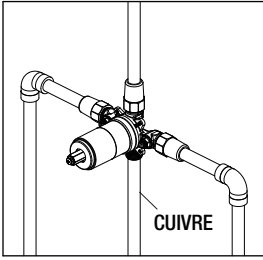
Lampe de poche



Clé à sangle

Pré-installation (suite)

D. PVC-C + CUIVRE



Lunettes de protection



Ruban à mesurer



Coupe-tubes



Scie à guichet



Thermomètre



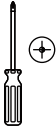
Ruban d'étanchéité pour joints filetés



Lampe de poche



Clé à molette



Tournevis cruciforme



Tournevis à tête plate



Mastic à la silicone



Clé à sangle



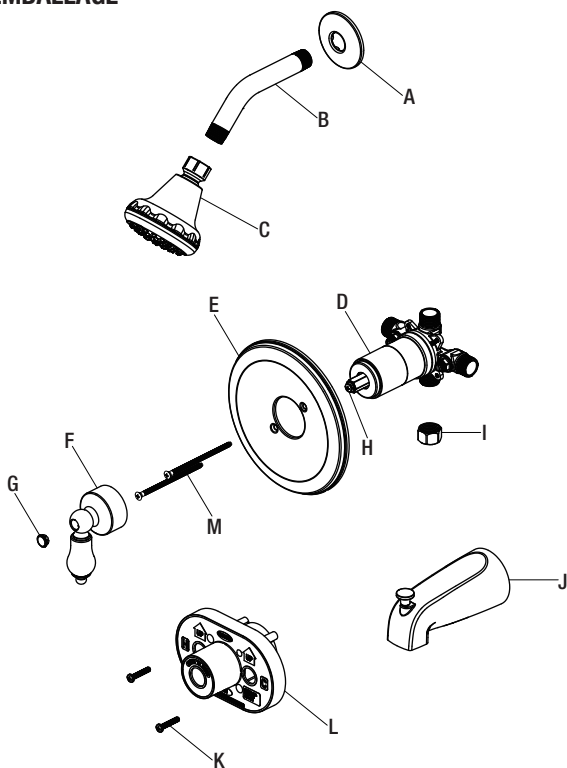
Ciment PVC-C



Produit nettoyant PVC-C

Pré-installation (suite)

CONTENU DE L'EMBALLAGE



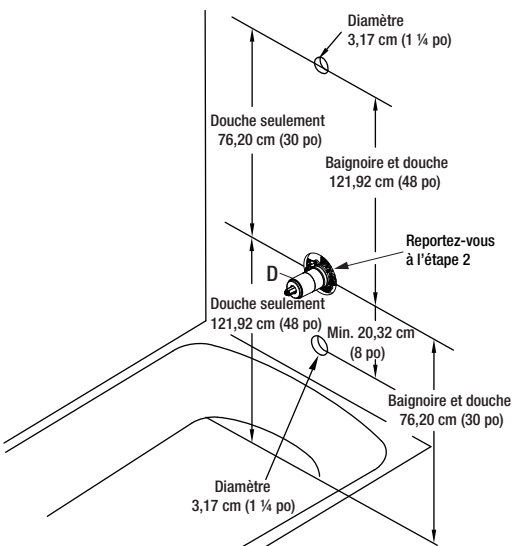
Pièce	Description	Quantité
A	Bride de douche	1
B	Bras de douche	1
C	Pomme de douche	1
D	Corps du robinet	1
E	Rosace	1
F	Manette	1
G	Indicateur	1
H	Vis	1
I	Bouchon	1
J	Bec de baignoire	1
K	Vis	2
L	Renfort de plâtre	1
M	Vis à rosace	2

1 Préparation en vue de l'installation



ATTENTION : Coupez toujours l'alimentation en eau avant d'enlever un robinet existant ou de remplacer n'importe quelle partie du robinet. Ouvrez la poignée du robinet pour libérer la pression de l'eau et vous assurer que l'alimentation en eau est complètement coupée.

- Fermez l'alimentation en eau de la baignoire et de la douche.
- Vérifiez la bonne taille et la bonne position des trous dans le mur :
 - Les orifices de sortie d'eau de la douche et du bec de la baignoire doivent mesurer 3,17 cm (1 ¼ po) de diamètre.
 - Reportez-vous à l'étape 2 pour les dimensions du trou d'accès au robinet.
 - La profondeur recommandée du robinet au mur fini est de 6,35 cm (2 1/2 po) minimum à 7,62 cm (3 po) maximum.
- Veillez à ce que le couvercle du corps du robinet (D) affleure à ras de la surface extérieure finie du mur. Placez correctement le corps du robinet (D) dans le mur avec le côté marqué «UP» pointant vers le haut. Pour garantir un bon fonctionnement, laissez un espace d'au moins 20,32 cm (8 po) entre le corps du robinet (D) et le bec de baignoire (J).



2 Installation du corps du robinet et retrait du protège-plâtre

- A. Installation sur une paroi mince

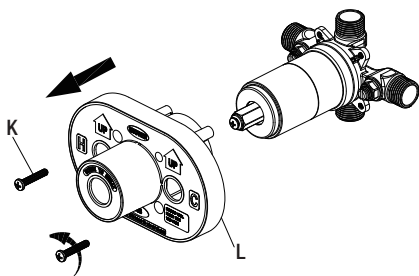
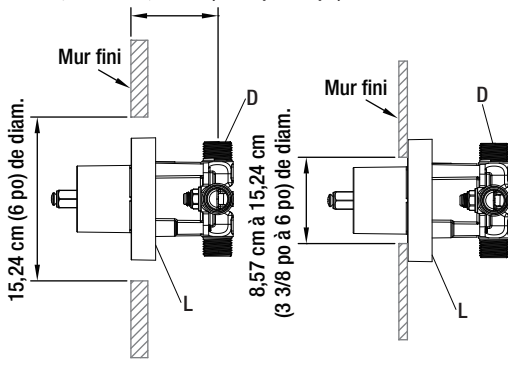
«Les parois minces» sont en général renforcées par les matériaux, tels qu'une baignoire en fibre de verre, qui les entourent et seront la source de soutien principale du robinet. Le protège-plâtre (L) reste fixé au robinet.
- B. Installation sur une paroi épaisse

«Les parois épaisses» sont en général faites de matériaux tels que les panneaux de fibrociment, les cloisons sèches, les carreaux, etc. Le protège-plâtre (L) est positionné de façon à ce qu'il affleure au ras du mur fini. Ceci assure que le robinet sera dans la bonne position pour recevoir la garniture. La profondeur du corps du robinet (D) dans le mur est mesurée du centre de la sortie de douche à la surface du mur fini. La profondeur-distance acceptée est de 6,35 cm à 7,62 cm (2 1/2 po à 3 po).
- Dévissez les vis (K) et retirez le renfort de plâtre (L).



REMARQUE : Assurez-vous de placer correctement le corps du robinet (D) dans le mur, avec le côté marqué «UP» orienté vers le haut.

6,35 cm à 7,62 cm (2 1/2 po à 3 po)



3 Installation des branchements de l'alimentation en eau

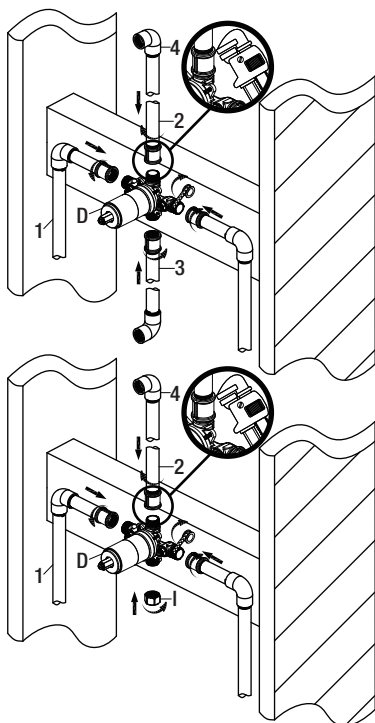


REMARQUE : Les conduites d'alimentation en eau chaude se branchent sur l'entrée «H» et les conduites d'alimentation en eau froide sur l'entrée «C». N'utilisez pas de polyéthylène réticulé (PEX) ou de polychlorure de vinyle chloré (CPVC) entre le corps du robinet (D) et le bec de baignoire (J).

- Enroulez le ruban d'étanchéité pour joints filetés (non compris) autour des filetages de tuyaux dans le sens des aiguilles d'une montre comme illustré.
- Raccordez les conduites d'alimentation en eau chaude et froide (1 non compris) au tuyau de sortie de douche (2, non compris) et au tuyau de sortie de baignoire (3, non compris) en les vissant sur le corps du robinet (D) dans le sens des aiguilles d'une montre.
- Fixez les tuyaux au corps du robinet (D) à l'aide d'une clé à tuyau (non compris).
- Raccordez les coudes de tuyaux (4 non compris) à l'extrémité des tuyaux de sortie de la douche et des tuyaux de sortie de la baignoire.



REMARQUE : Si vous ne souhaitez pas installer de tuyau de sortie de baignoire, insérez le bouchon (I) dans le bas du corps du robinet (D).

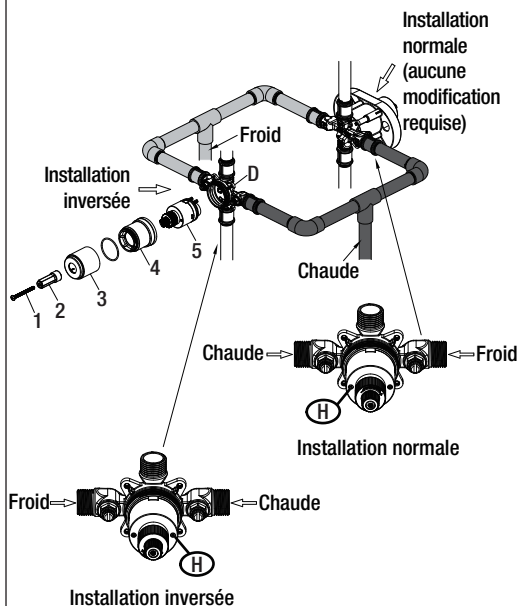


4 Installation dos à dos

- Si les entrées d'eau chaude et froide sont inversées (chaude à droite et froide à gauche), retirez la vis (1), l'inverseur (2), le manchon (3) et le chapeau (4) du corps du robinet (D) avec les raccords d'alimentation en eau inversés. Tournez la cartouche (5) à 180° jusqu'à ce que H apparaisse à droite. Installez la cartouche en vous assurant que la clé est entièrement engagée dans la fente du corps du robinet (D). Faites glisser le chapeau (4) par-dessus la cartouche (5) et vissez-les sur le corps du robinet (D). Serrez à fond à la main. Réassemblez le manchon (3), l'inverseur (2) et la vis (1). Si vous n'effectuez pas une installation inversée ou dos à dos, sautez cette étape et continuez avec l'étape 5.

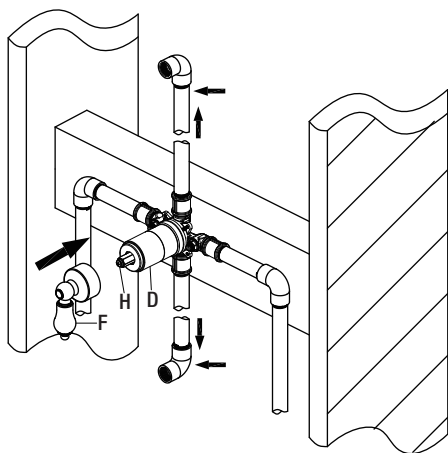


REMARQUE : N'installez jamais le corps du robinet (D) à l'envers!



5 Purge des tuyaux de sortie d'eau et recherche des fuites

- Desserrez la vis (H).
- Placez la manette (F) sur l'inverseur du corps du robinet (D) et tournez la manette (F) entièrement à la position mixte. Ouvrez les conduites d'alimentation de l'eau chaude et de l'eau froide et laissez l'eau couler des sorties pendant une minute ou jusqu'à ce que tous les corps étrangers soient purgés. Recherchez les fuites.
- Coupez l'eau au robinet et aux conduites d'alimentation. Retirez la poignée (F).

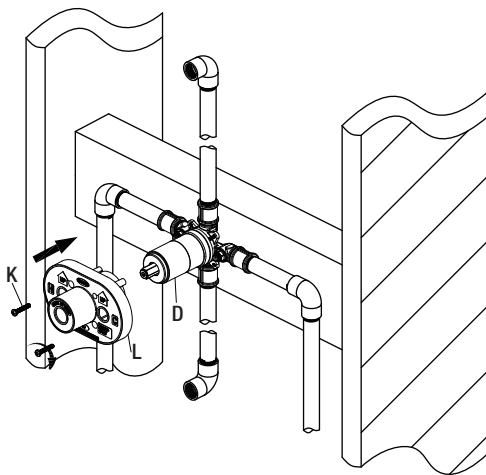


6 Installation du renfort de plâtre

- Placez le protège-plâtre (L) sur le corps du robinet (D) et fixez-le fermement avec les vis (K).

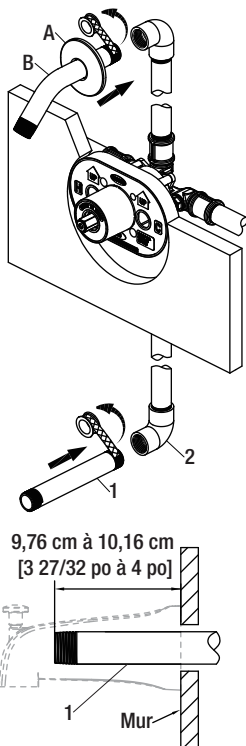


REMARQUE : Veillez à positionner le protège-plâtre (L) correctement sur le corps du robinet (D) avec le côté marqué «DOUCHE» orienté vers le haut.



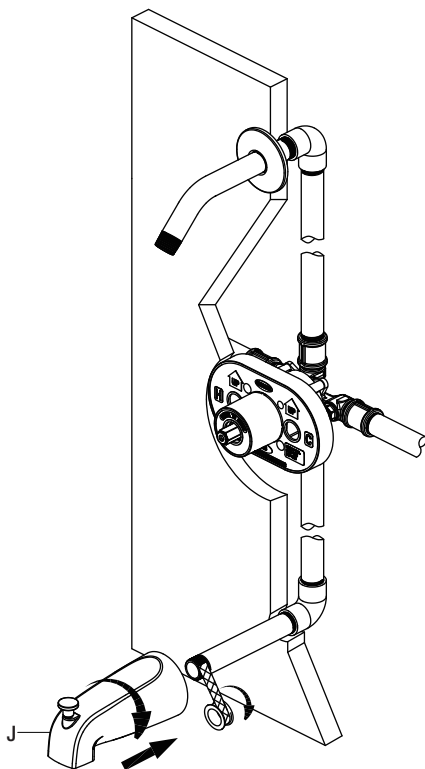
7 Installation du bras de douche

- Insérez l'extrémité longue du bras de douche (B) à travers la collerette de douche (A), puis enroulez le ruban d'étanchéité pour joints filetés autour de l'extrémité longue du bras de douche (B) dans le sens des aiguilles d'une montre, comme illustré.
- Insérez l'extrémité longue du bras de douche (B) dans le coude de tuyau à l'intérieur du mur. Serrez soigneusement le bras de douche (B) à l'aide d'une clé à sangle propre. Ne serrez pas trop.
- Enroulez le ruban d'étanchéité pour joints filetés autour des filetages de sortie du bec de baignoire (1, non compris) dans le sens des aiguilles d'une montre comme illustré.
- Connectez le tuyau de sortie du bec de baignoire (le tuyau de sortie du bec de baignoire doit se projeter de 9,76 cm à 10,16 cm [3 27/32 po à 4 po] du mur fini) au coude du tuyau inférieur (2, non compris). Serrez les branchements de tuyau de sortie des coude et bec de baignoire à l'aide d'une clé à sangle propre.



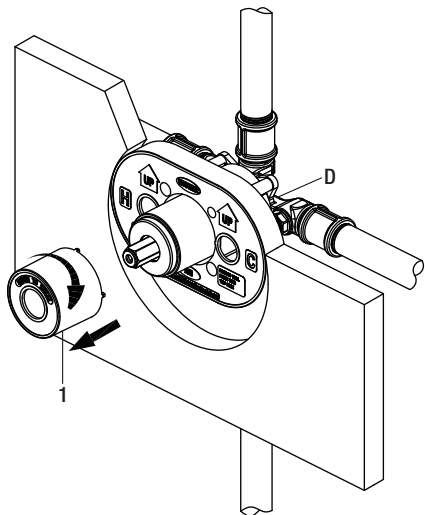
8 Installation du bec de baignoire

- Enroulez le ruban d'étanchéité pour joints filetés autour des filetages de sortie du bec de baignoire (J) dans le sens des aiguilles d'une montre comme illustré.
- Vissez le bec de baignoire (J) sur les raccords filetés dans le sens des aiguilles d'une montre jusqu'à ce que le bec de baignoire (J) affleure à ras du mur fini.
- Utilisez la clé à sangle pour serrer le bec de baignoire (J).



9 Retrait du capuchon en plastique

- Avant d'installer la rosace (E), retirez le capuchon en plastique (1) du corps du robinet (D) en tournant le capuchon dans le sens des aiguilles d'une montre.



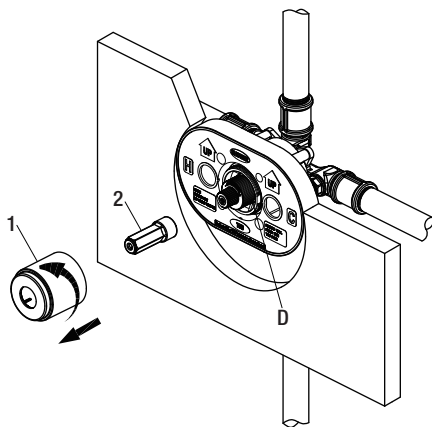
10 Réglage de la température



REMARQUE : Le limiteur du robinet peut être réglé pour permettre l'ampleur de rotation de la manette du côté chaud du robinet. Le limiteur est typiquement réglé en usine pour permettre à l'eau chaude uniquement de passer par le robinet. Suivez les directions contenues dans cette section si vous souhaitez régler la quantité d'eau chaude qui peut passer par le robinet. Si vous ne souhaitez pas régler la quantité d'eau chaude qui peut passer par le robinet, passez à l'étape 11 en sautant l'étape 10 (A, B, C).

A Retrait de la manette, du manchon et de l'onduleur

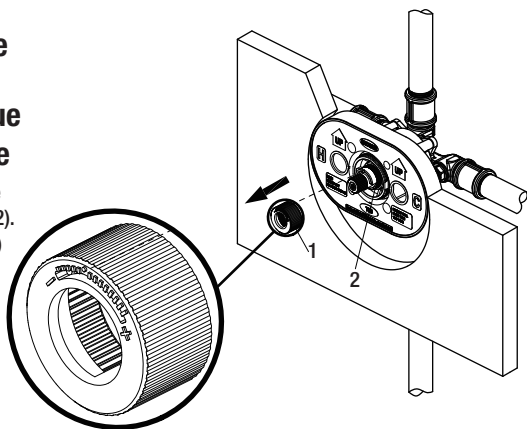
- Dévissez la gaine de protection (1) du corps du robinet (D).
- Retirez l'inverseur (2) du corps du robinet (D).



10 Réglage de la température

B Retrait de la bague de retenue rouge du limiteur d'ouverture

- Rappelez-vous la position de la bague rouge du limiteur d'ouverture (1) de la cartouche (2). Retirez la bague rouge d'arrêt du limiteur (1) de la cartouche (2).



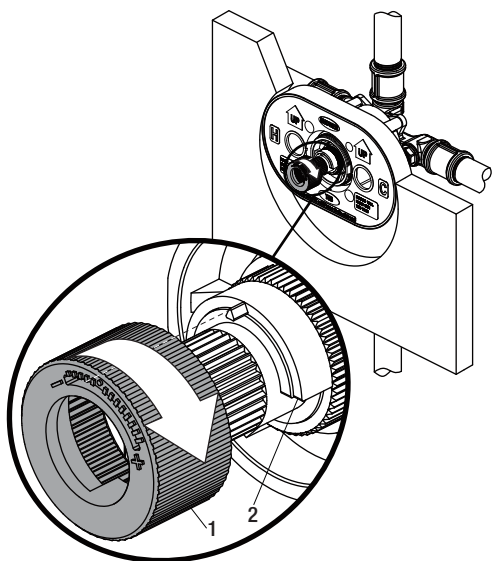
C Réglage de la température d'eau maximale souhaitée

- Pour de l'eau plus froide, réglez la bague rouge du limiteur d'ouverture (1) dans le sens des aiguilles d'une montre et installez à nouveau la bague rouge du limiteur d'ouverture (1) sur la cartouche (2).
- Pour de l'eau plus chaude, réglez la bague rouge du limiteur d'ouverture (1) dans le sens inverse des aiguilles d'une montre et installez à nouveau la bague rouge du limiteur d'ouverture (1) sur la cartouche (2).

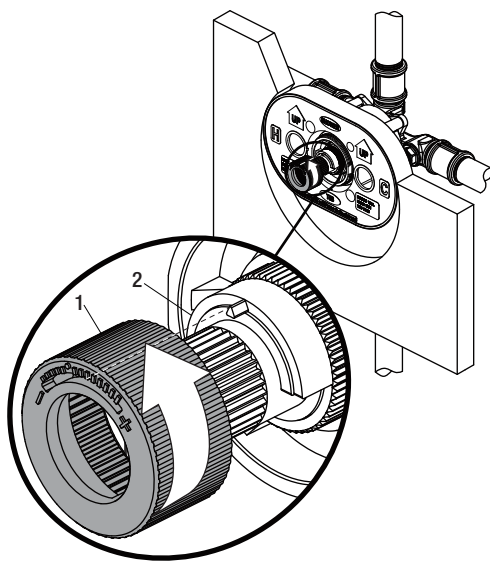


REMARQUE : Un thermomètre (non compris) peut être tenu dans l'eau courante pour aider à atteindre la température d'eau souhaitée.

Pour l'eau plus froide



Pour l'eau plus chaude



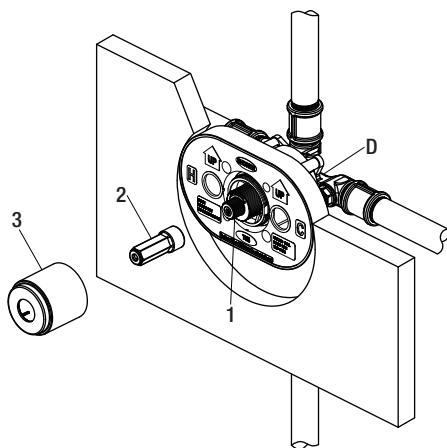
10 Réglage de la température

D Réinstallation de l'onduleur et du manchon



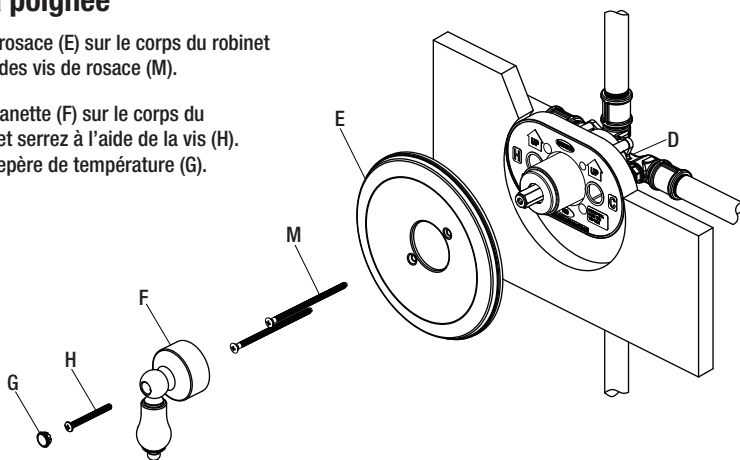
REMARQUE : Tournez la tige de la cartouche (1) dans le sens des aiguilles d'une montre pour couper l'eau avant d'installer la manette.

- Placez l'inverseur (2) sur le corps du robinet (D) et tournez l'inverseur (2) avec l'encoche orientée vers le bas.
- Vissez la gaine de protection (3) sur le corps du robinet (D).



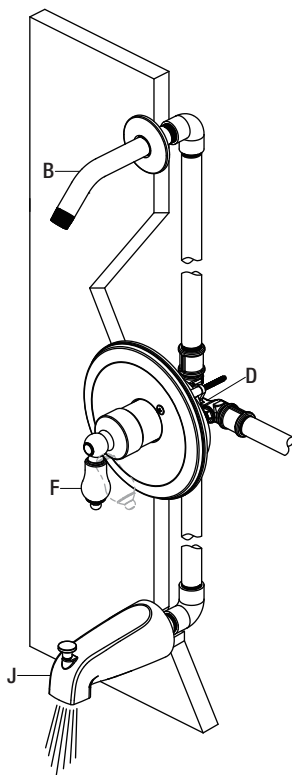
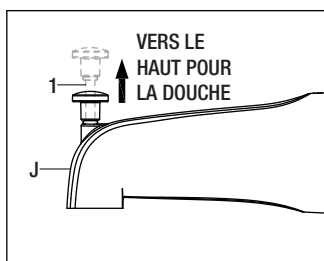
11 Installation de la rosace et de la poignée

- Installez la rosace (E) sur le corps du robinet (D) à l'aide des vis de rosace (M).
- Placez la manette (F) sur le corps du robinet (D) et serrez à l'aide de la vis (H). Insérez le repère de température (G).



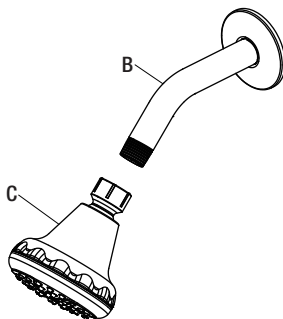
12 Recherche des fuites

- Tournez la manette (F) complètement en position mixte.
- L'eau s'écoule normalement à travers le bec de baignoire (J) lorsque le corps du robinet (D) est ouvert. Pour activer la douche, ouvrez le robinet et tirez le bouton moleté (1) vers le haut. Tenez le bouton moleté (1) jusqu'à ce que l'eau s'écoule de manière continue de la bras de douche (B). Recherchez s'il y a des fuites.
- Coupez l'eau au robinet et aux conduites d'alimentation en eau.



13 Installation de la pomme de douche

- Connectez la pomme de douche (C) au bras de douche (B). Serrez soigneusement la pomme de douche (C) à l'aide d'une clé à sangle propre.



Entretien et nettoyage

- Pour nettoyer, essuyez avec un linge humide et séchez avec une serviette.
- N'utilisez pas de nettoyants abrasifs, de la laine d'acier ou de produits chimiques abrasifs pour nettoyer ce robinet, sinon la garantie sera annulée.

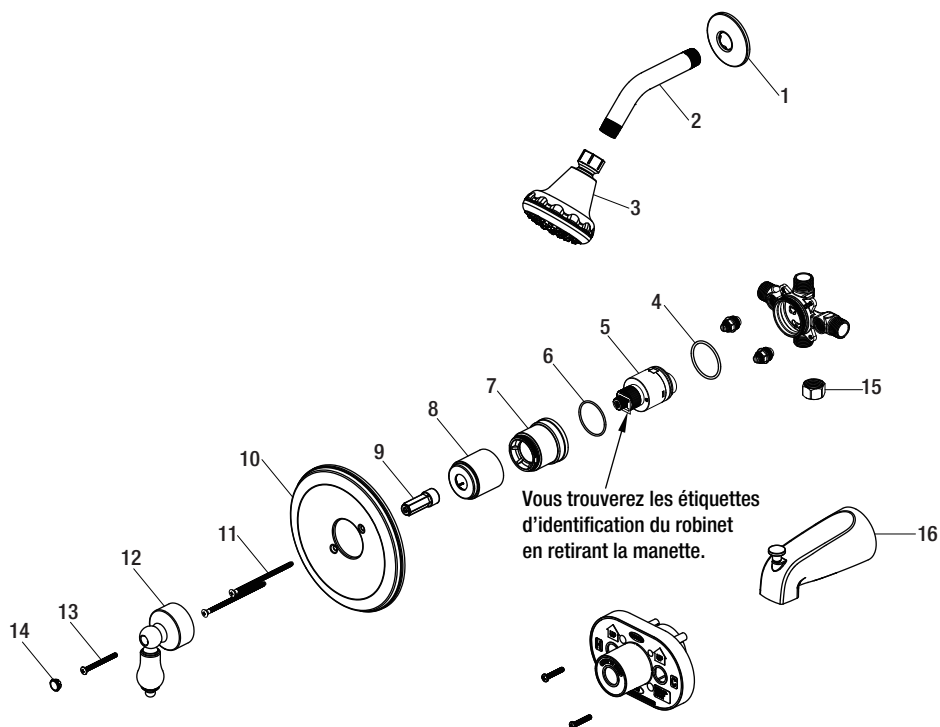
Dépannage



REMARQUE : Consultez la section Pièces de rechange de ce guide pour une illustration détaillée de l'emplacement des pièces énumérées ci-dessous.

Problème	Cause possible	Solution
Eau chaude et froide sont inversées.	Les lignes sont inversées ou la cartouche est installée à l'envers.	<input type="checkbox"/> Tournez la tige de la cartouche à 180° pour que la rainure soit orientée vers le bas en direction de l'évacuation.
Le débit d'eau est inexistant ou faible.	Au moins une des deux alimentations en eau n'est pas ouverte.	<input type="checkbox"/> Tournez les deux robinets d'alimentation en eau dans le sens inverse des aiguilles d'une montre à la position marche.
Il y a une fuite ou un dégouttement du bec lorsque la manette est fermée.	Les œillets n'assurent pas un scellement correct.	<input type="checkbox"/> Remplacez la cartouche.
L'eau sort du bec de baignoire et de la pomme de douche en même temps.	<p>Si l'écoulement d'eau passe de la douche au bec de baignoire et la fuite du bec de baignoire est inférieure à 0,03 LPM (0,01 GPM), c'est un phénomène normal. Ou, envisagez les raisons suivantes :</p> <p>! Le tuyau utilisé entre le robinet et le bec de baignoire n'est pas un tuyau IPS de 1,27 cm (1/2 po) ou le tuyau en CUIVRE n'est pas correct.</p> <p>! La distance entre le robinet et la pomme de douche est inférieure à 121,92 cm (48 po)..</p> <p>! Il y a une restriction entre le robinet et le bec de baignoire.</p> <p>! Le robinet est installé tête en bas.</p>	<input type="checkbox"/> Changez le tuyau à IPS ou CUIVRE. <input type="checkbox"/> La distance entre le robinet et la pomme de douche est déplacée à au moins 121,92 cm (48 po). <input type="checkbox"/> Retirez le bec de baignoire et purgez les débris et/ou remplacez la ligne ou les raccords trop petits. <input type="checkbox"/> Retirez le robinet et installez-le à nouveau avec l'orientation correcte.
La plage de températures est réduite.	La butée du limiteur de température n'est pas dans la bonne position.	<input type="checkbox"/> Reportez-vous à la section Réglage de la température.
Vous n'arrivez pas à installer la manette ou elle frotte contre la rosace.	Le robinet est installé trop loin du mur fini.	<input type="checkbox"/> Installez à nouveau le robinet (reportez-vous à l'étape 2 de la section Installation).
La manette est difficile à tourner.	L'écrou de chapeau est trop serré.	<input type="checkbox"/> Desserrez l'écrou de chapeau et installez-le à nouveau. Ne serrez pas trop.

Pièces de rechange



Pièce	Description	Número de pièce
1	Bride de douche	RP38046*
2	Bras de douche	RP38019*
3	Pomme de douche	RP38328*
4	Joint torique	RP60101
5	Cartouche	RP20075
6	Joint torique	RP60091
7	Écrou de chapeau	RP7043701
8	Gaine de protection	RP80540*

Pièce	Description	Número de pièce
9	Inverseur	RP70556
10	Rosace	RP80594*
11	Vis à rosace	RP50197*
12	Manette	RP17166*
13	Vis	RP50082
14	Indicateur	RP10007*
15	Bouchon	RP70365
16	Bec	RP33019*

*Spécifiez un fini

De nombreuses cartouches, aérateurs et évacuations de rechange sont proposés à votre magasin Home Depot le plus proche ou en ligne, sur WWW.HOMEDEPOT.COM



Questions, problèmes, pièces manquantes?

Avant de retourner au magasin, appelez le service à la clientèle
Glacier Bay entre 8 h et 19 h, HNE, du lundi au vendredi au
entre 9 h et 18 h, HNE, le samedi au

1-855-HD-GLACIER (1-855-434-5224)

HOMEDEPOT.COM

Conservez ce manuel pour référence future.