



DO NOT RETURN TO STORE!

CALL US FIRST!

**CUSTOMER HOTLINE
1-888-895-4549
FOR QUESTIONS OR
SERVICE INFORMATION**



NE PAS RETOURNER AU MAGASIN!

APPELEZ-NOUS D'ABORD!

**ASSISTANCE TELEPHONIQUE
A LA CLIENTELE
1-888-895-4549
POUR L'INFORMATION DE
QUESTIONS OU SERVICE**



NO LO DEVUELVA A LA TIENDA!

¡PRIMERO LLÁMENOS!

**LÍNEA DIRECTA DE ATENCIÓN
AL CLIENTE
1-888-895-4549
PARA la INFORMACION de
PREGUNTAS O SERVICIO**



CAUTION

IMPORTANT - Please make certain that everyone who uses the Pro Force® Pressure Washer thoroughly reads and understands these instructions prior to operation.



ATTENTION

IMPORTANT - Veiller à ce que toute personne amenée à utiliser cet appareil de Pro Force® lise soigneusement ces instructions et les comprenne avant de procéder à son utilisation.



PRECAUCIÓN

IMPORTANTE - Favor de asegurarse de que toda persona que use el Lavador de presión Pro Force® lea y entienda todas las instrucciones antes de la operación.

TABLE OF CONTENTS

INTRODUCTION	3	OPERATING INSTRUCTIONS	7
CUSTOMER SERVICE	3	Start-up Procedure	7
SAFETY	3	Starting the Engine	7
Safety Symbols	3	CHEMICAL INJECTION	7
General Safety Precautions	4	CLEANING TECHNIQUES	8
SAFETY FEATURES	5	Application of Soap or Degreaser	8
Thermal Relief Valve	5	Application of Wax	8
Safety Lock Off Latch	5	END OF CLEANING OPERATION	8
Low Oil Shutdown	5	MAINTENANCE	8
Spark Arresting Muffler	5	Connections	8
SPECIFICATIONS	5	Nozzle	8
SPRAY NOZZLE SELECTION	5	Water Screen	8
BEFORE OPERATION	6	Engine Maintenance	8
Pre-Start preparation	6	STORAGE	9
Hose and Gun Assembly	6	Pump Storage	9
Lubrication	6	Engine Storage	9
Fuel	6	WARRANTY	9
ENGINE AND PUMP FEATURES	6	TROUBLESHOOTING	10
OPERATING CONNECTIONS	7	PARTS LIST AND PARTS DRAWING	28-31
High Pressure Hose	7		
Water Connection	7		

TABLE DES MATIÈRES

INTRODUCTION	11	UTILISATION	15
SERVICE CLIENTELE	11	Procédure de lancement	15
SÉCURITÉ	11	Mise en marche du moteur	15
Symboles utilisés	11	UTILISATION DE PRODUITS CHIMIQUES	15
Précautions Générales de Sécurité	12	TECHNIQUE DE NETTOYAGE	16
MESURES DE SÉCURITÉ	13	Application de Savon ou de Dégraissant	16
Soupape de surpression thermique	13	Application de Cire	16
Loquet de sécurité	13	FIN DE L'ACTIVITÉ DE NETTOYAGE	16
Arrêt suite au bas niveau d'huile	13	ENTRETIEN DE L'APPAREIL	16
Silencieux Pare-étincelles	13	Raccords	16
SPÉCIFICATIONS	13	Ajutage	16
CHOIX DE BUSE DE PULVÉRISATION	13	Filtre à eau	16
AVANT TOUTE UTILISATION	14	Entretien du moteur	16
Préparation précédant la mise en marche	14	RANGEMENT	17
Montage du tuyau et du pistolet	14	Rangement de la pompe	17
Lubrification du moteur	14	Rangement du moteur	17
Carburant	14	GARANTIE LIMITÉE	17
CARACTERISTIQUES DE MOTEUR ET POMPE	14	DÉPANNAGE	18
RACCORDEMENTS	15	LISTE DES PIÈCES ET SCHEMA DES PIÈCES	28-31
Tuyau haute pression	15		
Raccordement d'eau	15		

INDICE

INTRODUCTION	19	INSTRUCCIONES DE OPERACIÓN	23
SERVICIO PARA LOS CLIENTES	19	Procedimiento de arranque	23
SEGURIDAD	19	Encendido del motor	23
Símbolos de seguridad	19	INYECCIÓN DE QUÍMICOS	23
Precauciones generales de seguridad	20	TÉCNICAS DE LIMPIEZA	24
CARACTERÍSTICAS DE SEGURIDAD	21	Aplicación de jabón y desgrasador	24
Válvula de descarga de calor	21	Aplicación de cera	24
Dispositivo de seguridad	21	FIN DE LA OPERACIÓN DE LIMPIEZA	24
Apagado por bajo nivel de aceite	21	MANTENIMIENTO	24
Silenciador apagachispas	21	Conexiones	24
ESPECIFICACIONES	21	Boquilla	24
SELECCIÓN DE BOQUILLA DE PULVERIZACIÓN	21	Rejilla de agua	24
ANTES DE LA OPERACIÓN	22	Mantenimiento del motor	24
Preparación inicial	22	ALMACENAMIENTO	25
Ensamblado de manguera y pistola	22	Almacenamiento de la bomba	25
Lubrificación del motor	22	Almacenamiento del motor	25
Combustible	22	GARANTIA LIMITADA	25
CARACTERÍSTICAS DE MOTOR Y BOMBA	22	RESOLUCION DE PROBLEMAS	26
CONEXIONES DE OPERACIÓN	23	LISTA DE PIEZAS Y DIAGRAMA DE PIEZAS	28-31
Manguera de alta presión	23		
Conexión de agua	23		

Congratulations on purchasing a Pro Force® Pressure Washer. Whether you are doing light cleaning at home or are needing power to do the tough jobs, Pro Force® pressure washers are built to give you the power you need. By following proper break-in procedures, using recommended set-up and operating procedures, and performing preventive maintenance as specified in this manual, your Pro Force® pressure washer will serve you for years to come.

Most important is the safety of you and those around you. Remember that while the Pro Force® pressure washer gives you the power you need to complete your job, safety rules should always be followed.

Thank you for selecting our product.

MAT Industries, LLC

CUSTOMER SERVICE

Call our toll free number
1-888-895-4549
8 a.m. to 5 p.m. C.S.T.
or www.pro-forceproducts.com
to obtain warranty service information or
order replacement parts or accessories.

Please have the following information available:

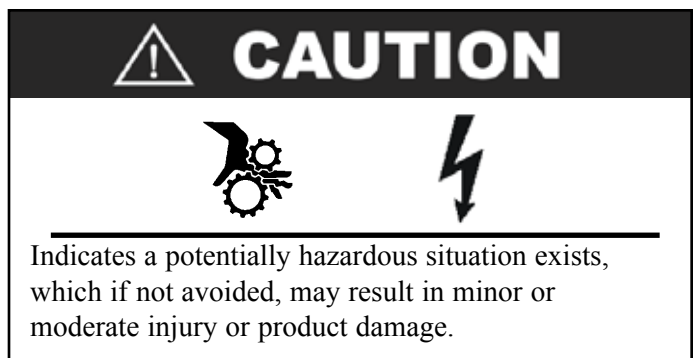
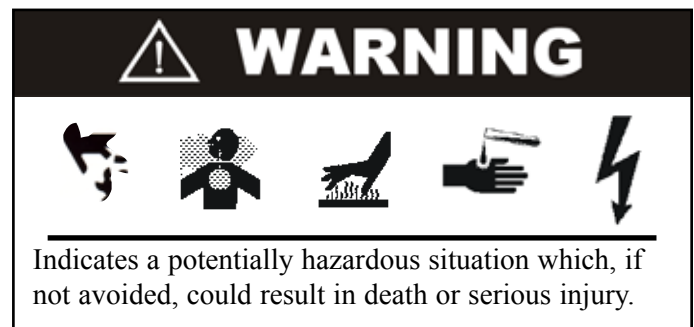
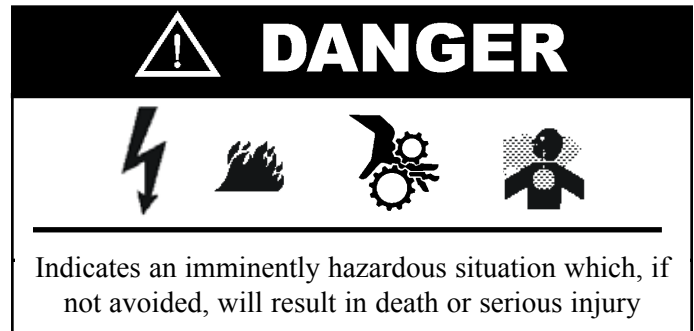
1. Model Number.
2. Serial Number.
3. Date and where purchased.
4. Replacement numbers if you are ordering parts.

MAT Industries, LLC
6700 Wildlife Way
Long Grove, IL 60047
Attention: Warranty Service Department

www.pro-forceproducts.com

Safety Symbols

The following symbols are used throughout this manual. Follow listed instructions to ensure your safety.





NOTE: Indicates operation or maintenance information helpful to improve performance or operation.




CALIFORNIA PROPOSITION 65 WARNING
This product contains chemicals known to the State of California to cause cancer, birth defects and/or reproductive harm.


The following Safety Precautions apply whenever using, storing or servicing Pro Force® Pressure Washers or their engines to reduce the possibility of personal injury. Overlooking or ignoring these precautions can lead to personal injury or product damage.

 **WARNING**



- Read this manual carefully. Know your equipment. Consider applications, potential hazards and limitations for your unit.
- Know your equipment. Consider the applications, limitations, and the potential hazards specific to your unit.
- Store the pressure washer in a well ventilated area with the fuel tank empty. Fuel should not be stored near the pressure washer.
- Never operate under these conditions:
 - a. A noticeable change in engine speed.
 - b. A noticeable loss of pressure.
 - c. The engine misfires.
 - d. Smoke or flames are present.
 - e. Enclosed compartment.
 - f. Excessive vibration.
 - g. Rain or inclement weather.
- Water spray must never be directed towards any electric wiring or directly towards the pressure washer.
- Do not allow the hose to come in contact with hot muffler.
- Equipment must be placed on a firm, supporting surface.
- Remove the spark plug or cable from the spark plug to prevent accidental starting when not in use or prior to detaching the high pressure hose.
- Keep the pressure washer clean and free of oil, mud and other foreign matter.
- Do not wear loose clothing, jewelry, or anything that may be caught in the engine.
- Never direct spray at people or pets.
- Never allow children to operate pressure washer at any time.
- Use both hands to control the wand.

 **WARNING**



- Do not touch nozzle or water spray while operating.
- Wear safety goggles while operating.
- Only approved hoses and nozzles should be used.
- The trigger gun must not be jammed in “ON” position during operation.
- Never tie knots or kink the high pressure hose.
- All hose connections must be properly sealed.
- Prior to starting the pressure washer in cold weather, be sure ice has not formed in any part of the equipment.
- Use only recommended chemicals.
- Outdoors use only.
- Place the pressure washer away from cleaning site during operation.
- To prevent accidental discharge, the spray gun should be secured by locking trigger when not in use.
- Do not run the pressure washer for more than five minutes without depressing the trigger or damage to the pump may result.
- Check the fuel system periodically for leaks or signs of deterioration such as chafed or spongy hose, loose or missing clamps, or damaged tank or cap. All defects should be corrected before operation.
- Do not touch hot muffler.
- Service, operate and refuel under the following conditions:
 - a. Good ventilation.
 - b. Refuel the pressure washer in a well lighted area.
 - c. Avoid fuel spills and never refuel while the pressure washer is running.
 - d. Avoid an ignition source when refueling.
 - e. Use lead free fuel with a minimum of 85 octane.
- Do not smoke near the pressure washer.
- Do not use damaged high-pressure hoses.

SAFETY FEATURES

THERMAL RELIEF VALVE

A thermal relief valve is provided to protect the pump from overheating if the spray gun is closed for an extended length of time or the nozzle becomes plugged. However, it is intended to be used as a backup system and every effort should be made to not permit the pump to heat up.

We recommend turning the pressure washer off if it will not be used for more than five minutes. This saves wear on the unit, reduces fuel consumption and extends the life of the pump by avoiding heat.

SAFETY LOCK OFF LATCH

To prevent accidental discharge of high pressure water, the safety latch on the trigger should be engaged whenever the pressure washer is not in use. (Refer to Operating Instructions.)

LOW-OIL SHUTDOWN

The unit is equipped with a low oil sensor. If the engine oil level becomes lower than required, the pressure washer will automatically shut off. (Refer to the engine manual for this feature.) This protects your pressure washer engine from operating without proper lubrication.

If the pressure washer engine shuts off and the oil level is according to specification, check to see if the pressure washer is sitting at an angle that forces oil to shift. Place on an even surface to correct this. If the engine fails to start, the oil level may not be sufficient to deactivate low oil level switch. Be sure the engine is completely full of oil. See engine manual.

CAUTION

The pump will overheat and may be damaged, or cause damage if allowed to circulate more than five minutes.

SPARK ARRESTING MUFFLER

THIS PRODUCT MAY NOT BE EQUIPPED WITH A SPARK ARRESTING MUFFLER. If the product will be used around flammable materials, such as agricultural crops, forests, brush, grass, or other similar items, then an approved spark arrester should be installed and is legally required in the State of California. The California statutes requiring a spark arrester are Sections 13005(b), 4442 and 4443. Spark Arresters are also required on some U.S. Forest Service land and may also be legally required under other statutes and ordinances. For more information, contact our Customer Service Department at 1-888-895-4549 or www.pro-forceproducts.com.

SPECIFICATIONS

Maximum Inlet Pressure Up to 90 PSIG
 RPM 3600 RPM
 Temperature of Pumped Fluids Up to 80°F
 Inlet Ports 3/4" GHT (F)
 Discharge Ports M22

Your pressure washer has a maintenance-free pump. There is no need to change the pump oil.

Consult the factory for special requirements that must be met if the pump is to operate beyond one or more of the limits specified above.

SPRAY NOZZLE SELECTION

Following is information concerning the three nozzles provided with your pressure washer.

NOTE: The force of the spray on the surface you are cleaning increases as you move closer to the surface.

0° High Pressure (Red): The water stream discharged is very aggressive. Use with extreme caution to prevent damage to the surface being cleaned or injury to persons or animals.

15° High Pressure (Yellow): This is the nozzle used for most cleaning applications. It provides narrow coverage and a highly powerful water stream.

25° High Pressure (Green): Use of this nozzle offers both a medium coverage and water stream. Best used for flushing dirt and debris off surfaces.

40° High Pressure (White): This nozzle is used for cleaning with the widest coverage over a larger area with a powerful water stream.

65° Low Pressure (Black): Provides low pressure spray and a wide coverage. Used primarily when operating the chemical injector to apply chemicals.

BEFORE OPERATION

NOTE: The engine and pump on your Pro Force® Pressure Washer will often have improved performance after a break-in period of several hours.

PRE-START PREPARATION

Before starting the pressure washer, check for loose or missing parts and for any damage which may have occurred during shipment.

HOSE AND GUN ASSEMBLY

NOTE: Align threaded connections carefully to prevent damaging threads during assembly. Tighten connections securely to prevent leaks during operation.

Attach the hose to the inlet of the trigger gun.

LUBRICATION

DO NOT attempt to start the pressure washer engine without filling the engine crank case with the proper amount and type of oil. (See the accompanying engine manual for this information.) Your pressure washer engine has been shipped from the factory without oil in the engine crankcase. Operating the unit without oil will ruin the engine.

The pump is not equipped with a dipstick or side glass window. Check oil leaks from the pump. Pump oil is shipped in the pump from factory.

FUEL

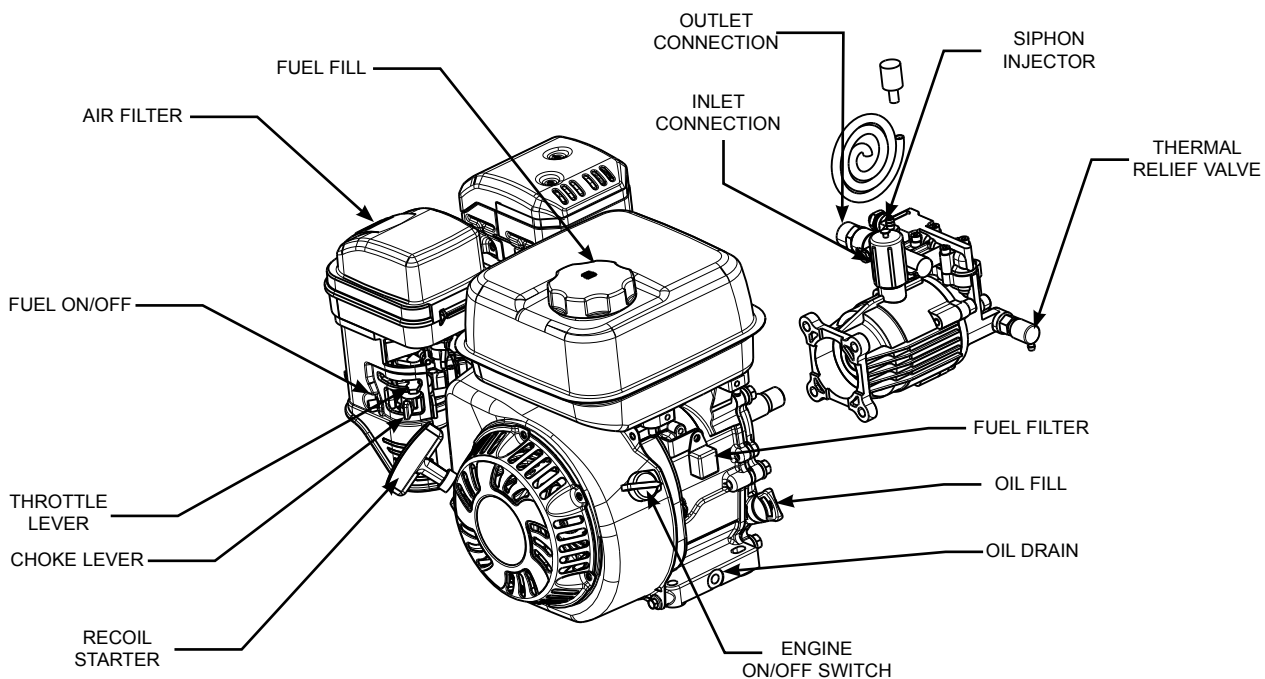
Fill the tank with clean, fresh unleaded automotive gasoline. (See Figure 1). Regular grade gasoline may be used provided a high octane rating is obtained (at least 85 pump octane).

WARNING

Gasoline is very dangerous. Serious injury may result from fire caused by gasoline contacting hot surfaces.

Do not overfill the tank. Keep maximum fuel level 1/2 inch below the bottom of the filler neck. This will allow expansion in hot weather and prevent overflow.

ENGINE AND PUMP FEATURES - FIGURE 1



OPERATING CONNECTIONS

HIGH PRESSURE HOSE

Attach the high pressure hose to the outlet connection located on the pump. (See Figure 1, page 6).

NOTE: DO NOT use a high pressure hose from another manufacturer.

WATER CONNECTION

Before connecting to unit, run water through the garden hose (not supplied) to flush out any foreign matter. Check that the screen is clean and is in the inlet of the pump. Attach garden hose to the inlet connection located on the pump. (See Figure 1, page 6).

NOTE: The water supply must provide a minimum of 4 g.p.m. at 40 to 80 p.s.i. or the pump will be damaged.

OPERATING INSTRUCTIONS

START-UP PROCEDURE

1. Ensure water supply is connected and turned on.
2. Release gun safety lock.
3. To allow air to escape from the hose, squeeze trigger on the gun until there is a steady stream of water coming from the nozzle.
4. Remove any dirt or foreign matter from the gun outlet and the male connector of the wand.
5. Insert the nozzle wand into the gun wand and tighten the twistfast fitting securely by hand.

WARNING



If the wand or nozzle is not securely locked into place, it could be ejected under high pressure when operating the gun, possibly causing injury or damage.

STARTING THE ENGINE (See Figure 1, page 6)

1. Check oil and fuel level.
2. Adjust choke as necessary.
3. Set the engine switch to the "ON" position.
4. Squeeze trigger on pressure washer to release pressure while pulling on the engine starter rope with a fast steady pull. Pressure may otherwise build up making starting the unit difficult.
5. As the engine warms up, open the choke to full.

CHEMICAL INJECTION



CAUTION

This pressure washer is intended for use only with liquid car wash detergents, developed specifically for pressure washer and with mild soaps. Only use chemicals compatible with the aluminum and brass parts of the pressure washer. Powdered soaps may clog the injection system. Always use chemicals according to manufacturer directions. MAT Industries, LLC assumes no responsibility for any damages caused by chemicals injected through this pressure washer.

1. Ensure that one end of the chemical injection tube is attached to the siphon injector on the pump (see figure 1)
2. Ensure that the other end of the chemical injection tube is attached to the nipple on the bottom of the chemical tank (see figure 2)
3. Fill your chemical tank with your cleaner of choice (most cleaners are concentrated, please follow the mixing instructions as outlined by the manufacturer of the cleaner).
4. Install the black quick connect, low pressure nozzle on the spray wand. The solution will automatically be mixed with the water and discharged through the nozzle.

CLEANING TECHNIQUES

Cleaning Techniques

When cleaning with the pressure washer, many cleaning tasks can be solved with water alone, but for most tasks it is advantageous to use a detergent also. A detergent ensures a quick soaking of the dirt allowing the high pressure water to penetrate and remove the dirt more effectively.

Pressure washer chemicals are specially formulated to be used with your pressure washer.

APPLICATION OF SOAP OR DEGREASER

1. Apply the solution to a DRY work surface.
On a vertical surface, apply horizontally from side to side starting from the bottom to avoid streaking.
NOTE: Wetting the surface first is not recommended, as it dilutes the detergent and reduces its cleaning ability. Avoid working on hot surfaces or in direct sunlight to minimize the chances of the chemical damaging painted surfaces. Damage may occur to painted surface if chemical is allowed to dry on the surface. Hold nozzle far enough away from surface to prevent damage to the surface.
2. Allow chemical to remain on the surface for a short time before rinsing.
3. Rinse with clean water under high pressure. On a vertical surface, first rinse from the bottom up, then rinse from the top down. Hold nozzle 6 to 8 inches from the work surface at a 45° angle using the flat spray as a peeling tool rather than a scrub brush.

APPLICATION OF WAX

1. Immediately after cleaning, apply pressure washer wax. Place injection tube in container of wax.
2. Apply the wax sparingly in an even layer. Apply to wet surfaces from the bottom up for even distribution and to avoid streaking.
3. Remove the suction tube from the wax bottle and rinse off the surplus wax.

NOTE: IF SURPLUS WAX IS NOT REMOVED, A HAZY FINISH MAY RESULT.

4. Wipe dry to reduce water spotting.

END OF CLEANING OPERATION

End of Cleaning Operation

When you have completed use of the chemical injection system, remove tube from container. Continue to run in low pressure position and inject clean water through the tube and injection system by placing end of tube in a container of clean water. Continue to run until it is thoroughly cleaned.

MAINTENANCE

CONNECTIONS

Connections on pressure washer hoses, gun and spray wand should be cleaned regularly and lubricated with silicon grease to prevent leakage and damage to the o-rings.

NOZZLE

Clogging of the nozzle causes the pump pressure to be too high and cleaning is immediately required.



WARNING



A nozzle cleaner must only be used when the spray nozzle is disconnected from the gun or personal injury could result.

1. Remove the nozzle from the wand.
2. Clear the nozzle with the nozzle cleaner pin provided with the pressure washer.
3. Flush the nozzle backwards with water.
4. Re-install the nozzle into the wand.

Restart the pressure washer and depress the trigger on the spray gun. If the nozzle is still plugged or partially plugged, repeat above items 1-4.

If the previous procedure does not clear the nozzle, replace with a new nozzle.

WATER SCREEN

The pressure washer is equipped with a water inlet screen to protect the pump. If the screen is not kept clean, it will restrict the flow of water to the pressure washer and may cause damage to the pump. Do not damage the screen while removing or cleaning screen. Any foreign particles entering the pump may damage the pump. Do not operate pressure washer without the screen in place.

Remove the screen and back flush to remove impurities from screen. Replace immediately.

ENGINE MAINTENANCE

During the winter months, rare atmospheric conditions may develop which will cause an icing condition in the carburetor. If this develops, the engine may run rough, lose power, and may stall.

NOTE: Refer to the engine manufacturer's manual for service and maintenance of the engine.

STORAGE

PUMP STORAGE

If you must store your pressure washer in a location where the temperature is below 32°F, you can minimize the chance of damage to your machine by utilizing the following procedure:

1. Shut off water supply and relieve pressure in the spray gun by depressing the trigger. Disconnect the garden hose from the pressure washer, but leave the high-pressure hose connected.
2. Tip the unit on its side with the inlet connection pointing up.
3. Insert a small funnel (to prevent spilling) into the inlet and pour in approximately 1/4 cup of RV antifreeze.
4. Disconnect spark plug wire.
5. Without connecting garden hose pull the recoil several times to circulate the antifreeze in the pump system. Continue to add antifreeze and pull the recoil until the antifreeze is expelled when the trigger is pulled.
6. Turn the unit upright.



CAUTION

Prior to restarting, thaw out any possible ice from the pressure washer hoses, spray gun and wand.

Another method of reducing risks of freeze damage is to drain your pressure washer as follow:

1. Stop the pressure washer and detach supply hose and high pressure hose. Squeeze the trigger of the discharge gun to drain all water from the wand and hose.
2. Restart the pressure washer and let it run briefly (about 5 seconds) until water no longer discharges from the high pressure outlet.

ENGINE STORAGE

When the pressure washer is not being operated or is being stored more than one month, follow these instructions:

1. Replenish engine oil to upper level.
2. Drain gasoline from fuel tank, fuel line, fuel valve and carburetor.
3. Pour about one teaspoon of engine oil through the spark plug hole, pull the recoil starter several times and replace the plug. Then pull the starter slowly until you feel increased pressure which indicates the piston is on its compression stroke and leave it in that position. This closes both the intake and exhaust valves to prevent the inside of the cylinder from rusting.
4. Cover the pressure washer and store in a clean, dry place that is well ventilated away from open flame or sparks.

NOTE: We recommend always using a fuel stabilizer. A fuel stabilizer will minimize the formulation of fuel gum deposits during storage. The fuel stabilizer can be added to the gasoline in the fuel tank, or into the gasoline in a storage container.

LIMITED WARRANTY

Warranty Coverage: MAT Industries, LLC (the Company) warrants to the original retail customer in North America that it will repair or replace, free of charge, any parts found by the Company or its authorized service representative to be defective in material or workmanship. This warranty covers the cost of replacement parts and labor for defects in material or workmanship.

Not Covered:

- Transportation charges for sending the product to the Company or its authorized service representative for warranty service, or for shipping repaired or replacement products back to the customer; these charges must be borne by the customer.
- Engine may be covered exclusively by a separate warranty from the engine manufacturer as set forth in the engine Manual (if included).
- Damages caused by abuse or accident, and the effects of corrosion, erosion and normal wear and tear.
- Warranty is void if the customer fails to maintain and operate the product as instructed and recommended by the Company in the owner's manual.
- Warranty applies only if the product is used solely for consumer applications, and does not apply if the product is used for commercial or business applications, or as rental equipment.
- The Company will not pay for repairs or adjustments to the product, or for any costs or labor, performed without the Company's prior authorization.

Warranty Period: One (1) year from the date of purchase. For warranty service, the customer must provide dated proof of purchase and must notify the Company within the warranty period.

For warranty service: Call toll free 1-888-895-4549, or write to MAT Industries, LLC, 6700 Wildlife Way, Long Grove, IL 60047.

EXCLUSIONS AND LIMITATIONS: THE COMPANY MAKES NO OTHER WARRANTY OF ANY KIND, EXPRESS OR IMPLIED. IMPLIED WARRANTIES, INCLUDING WARRANTIES OF MERCHANTABILITY AND OF FITNESS FOR A PARTICULAR PURPOSE, ARE HEREBY DISCLAIMED. THE WARRANTY SERVICE DESCRIBED ABOVE IS THE EXCLUSIVE REMEDY UNDER THIS WARRANTY; LIABILITY FOR INCIDENTAL AND CONSEQUENTIAL DAMAGES IS EXCLUDED TO THE EXTENT PERMITTED BY LAW.

This warranty gives you specific legal rights, and you may also have other rights which vary from state to state. Some states do not allow a disclaimer of implied warranties, or the exclusion or limitation of incidental and consequential damages, so the above disclaimers and exclusions may not apply to you.

PROBLEM	POSSIBLE CAUSE	CORRECTION	
Engine will not start or stops while operating.	Low-oil shutdown.	Fill engine with oil.	
	Engine switch not in the "ON" position.	Turn switch "ON".	
	Pressure build up in hose.	Squeeze trigger.	
Engine is overloaded.	Nozzle partially blocked.	Clean nozzle.	
	Excessive pressure.	Reduce pressure by using pressure adjustment knob	
Water or oil leaking from bottom of pump.	A small amount of leakage is normal.	If excessive leaking occurs call the Customer Service Department.	
Pressure increases when gun is closed.	Bypass valve not operating properly.	Call the Customer Service Department.	
Engine running but pump not building maximum pressure or has irregular pressure.	Faucet closed	Open faucet.	
	Unit has been stored in freezing temperatures.	Thaw out unit completely including hose, gun and wand.	
	Inadequate water supply.	Provide a minimum of 4 gpm at 20 psi.	
	Water inlet screen clogged.	Clean screen.	
	Kink in garden hose.	Straighten hose	
	Wand nozzle worn or damaged.	Replace nozzle,	
	Air in pump.	Let run with gun open and wand removed until steady stream of water is released.	
	Suction or discharge valves clogged or worn out.	Call the Customer Service Department.	
No intake of chemicals	By-pass valve not operating effectively.	Call the Customer Service Department.	
	Injection tube not securely inserted into unit.	Push firmly into injector.	
	Tube cracked or split.	Replace tubing.	
	Wrong nozzle.	Switch to low pressure nozzle.	
	Injection tube strainer clogged.	Clean strainer.	
Trigger will not move.	Nozzle blocked.	Clean nozzle.	
	Dried chemicals in injector.	Dissolve by running warm water through the injection tube.	
	Gun safety lock engaged.	Release safety lock.	
	Water in crankcase.	High humidity.	Change oil more frequently.
		Worn seals.	Call the Customer Service Department.
Noisy operation.	Worn bearings	Call the Customer Service Department.	
	Air mixed with water.	Check inlet lines for restrictions and /or proper sizing.	
Rough/pulsating operation with pressure drop.	Worn packing.	Call the Customer Service Department.	
	Inlet restriction.	Check system for stoppage, air leaks, correctly sized inlet plumbing to pump.	
	Unloader.	Check unloader for proper operation.	
	Air mixed in water.	Check inlet lines for restrictions and/or proper sizing.	
High crankcase temperatures.	Wrong grade of oil.	Use recommended oil.	
	Improper amount of oil in crankcase.	Adjust oil level to proper amount.	

Félicitations pour votre achat de nettoyeur haute pression Pro Force®. Que ce soit pour des travaux de nettoyage ordinaire à la maison ou pour des travaux plus difficiles, les laveuses Pro Force® ont été conçues pour vous offrir la puissance dont vous avez besoin. Votre laveuse à pression Pro Force® vous rendra service pendant des années. Pour cela, suivre les procédures de rodage, les procédures de préparation et d'utilisation, et effectuer l'entretien préventif selon les indications de ce document, ainsi que du manuel relatif au moteur, qui l'accompagne.

Le plus important, c'est votre propre sécurité et celle de votre entourage. Ne pas oublier que, si la laveuse à pression Pro Force® vous offre toute la puissance dont vous avez besoin, il ne faut pas pour autant mettre de côté les règles de sécurité.

Merci d'avoir choisi notre produit.

MAT Industries

SERVICE CLIENTELE

Appeler notre numéro numéro gratuit
1-888-895-4549

ou www.pro-forceproducts.com
pour tous renseignements concernant la garantie ou
pour commander des pièces de rechange ou des
accessoires.

Veuillez être prêt à donner les renseignements
suivants:

1. Numéro de modèle
2. Numéro de série.
3. Date et lieu d'achat.
4. Référence des pièces en cas de commande de pièces de rechange.

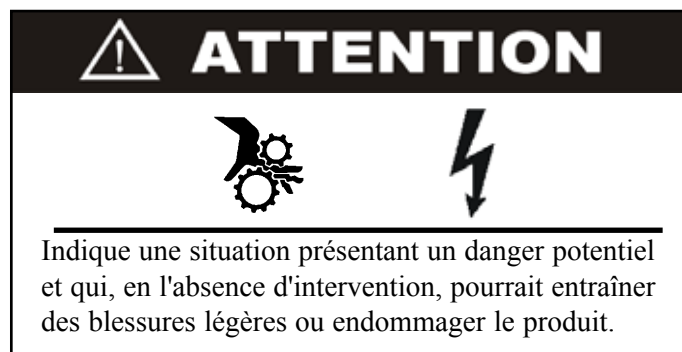
MAT Industries, LLC
6700 Wildlife Way
Long Grove, IL 60047
Attention : Service d'entretien de garantie

www.pro-forceproducts.com

Symboles Utilisés

pro-forceproducts.com

Les symboles suivants sont utilisés dans ce manuel. Pour votre sécurité, suivre les consignes indiquées.



NOTE : indique des renseignements sur l'utilisation ou l'entretien, qui peuvent améliorer les performances ou le fonctionnement.



CALIFORNIE PROPOSITION 65 AVERTISSEMENT

Ce produit contient des produits chimiques connus de l'État de Californie comme causant des cancers, des anomalies congénitales et/ou présentant des dangers pour la reproduction.

Les mesures de sécurité ci-après doivent être prises lors de l'utilisation, du stockage ou de l'entretien d'une nettoyeur haute pression Pro Force® ou de son moteur, afin de réduire le risque de blessures corporelles. En ne suivant pas ou en ignorant ces précautions, il peut y avoir blessures ou endommagement du produit.

AVERTISSEMENT



- Lire attentivement ce manuel. Apprenez à bien connaître votre équipement. Examiner les utilisations possibles, les dangers potentiels et les limitations de votre machine.
- Se familiariser avec l'appareil et tenir compte des domaines d'usage, des restrictions et des risques potentiels qui découlent de son utilisation.
- Stocker le nettoyeur dans un endroit bien ventilé, avec le réservoir de carburant vide. Ne pas stocker de carburant près de la génératrice.
- Ne jamais utiliser dans les conditions suivantes :
 - a. Une variation importante du régime moteur.
 - b. Une perte de pression notable.
 - c. Le moteur a des ratés.
 - d. Présence de fumée ou de flammes.
 - e. Compartiment fermé.
 - f. Vibration excessive.
 - g. Pluie ou mauvais temps.
- Ne jamais diriger le jet d'eau vers des câbles électriques ou directement sur le nettoyeur.
- Éviter tout contact du flexible avec le silencieux chaud.
- Placer l'équipement sur une surface plane et ferme.
- Retirer la bougie ou le fil de bougie, afin d'empêcher tout démarrage accidentel, lorsque l'appareil n'est pas en service ou avant de débrancher le flexible haute pression.
- Le nettoyeur doit rester propre, sans traces d'huile, de boue et d'autres corps étrangers.
- Ne pas porter de vêtements amples, de bijoux ou quoi que ce soit qui pourrait se prendre dans le moteur.
- Ne jamais diriger le jet sur des personnes ou des animaux domestiques.
- Ne jamais autoriser un enfant à se servir d'un nettoyeur haute pression.
- Tenir la lance à deux mains.

AVERTISSEMENT



- Ne pas toucher à la buse ou au jet d'eau, lorsque l'appareil fonctionne.
- Porter des lunettes de protection en travaillant.
- N'utiliser que des flexibles et des buses approuvées.
- Le pistolet à gâchette ne doit pas rester bloqué en "Sur" position lors de l'utilisation.
- Ne jamais faire de nœuds dans le flexible haute pression, ni le pincer.
- Les raccords de flexible doivent être étanches.
- Par temps froid, avant de faire démarrer le nettoyeur, s'assurer qu'il n'y a pas de glace en aucun endroit de l'équipement.
- N'utiliser que des produits chimiques recommandés.
- Pour usage extérieur seulement.
- Éloigner le nettoyeur haute pression de la surface de nettoyage durant le fonctionnement.
- Afin d'éviter toute décharge accidentelle, bloquer la gâchette du pistolet de pulvérisation, lorsqu'il n'est pas utilisé.
- Pour éviter d'endommager la pompe, ne pas faire fonctionner le nettoyeur plus de cinq minutes sans appuyer sur la gâchette.
- Vérifier de temps en temps le circuit de carburant, à la recherche de fuites ou de signes de détérioration : flexible usé par frottement ou spongieux, colliers desserrés ou manquants, réservoir ou bouchon endommagé. Corriger les défauts avant utilisation de la machine.
- Ne pas toucher au silencieux, lorsqu'il est chaud.
- Pour les interventions d'entretien, l'utilisation et le remplissage de carburant, respecter les conditions suivantes.
 - a. Bonne ventilation.
 - b. Faire le plein de carburant du nettoyeur dans un endroit bien éclairé.
 - c. Éviter tout déversement de carburant et ne jamais faire le plein lorsque la machine est en marche.
 - d. Ne pas faire de plein en présence d'une source d'inflammation.
 - e. Utiliser un carburant sans plomb, avec indice d'octane de 85 au minimum.
- Ne pas fumer à proximité de la laveuse.
- Ne pas se servir d'un flexible haute pression endommagé.

MESURES DE SÉCURITÉ

SOUPAPE DE SURPRESSION THERMIQUE

La soupape de surpression thermique a pour but de protéger la pompe de toute surchauffe si le pistolet de pulvérisation est fermé durant une longue période ou si la buse s'engorge. Toutefois, elle est conçue comme système auxiliaire et l'on doit faire tous les efforts possibles pour empêcher la pompe de surchauffer.

Nous recommandons d'arrêter le nettoyeur haute pression si l'on ne prévoit pas de l'utiliser durant plus de cinq minutes. Ceci évite l'usure de l'appareil, réduit la consommation de carburant et prolonge la vie de la pompe en évitant la surchauffe.

LOQUET DE SÉCURITÉ

Pour éviter tout déversement accidentel d'eau sous haute pression, le loquet de sécurité sur la gâchette devrait être en place lorsque le nettoyeur haute pression n'est pas utilisé. (Reportez-vous aux instructions d'utilisation.)

ARRÊT SUITE AU BAS NIVEAU D'HUILE

Le système est équipé d'un détecteur de bas niveau d'huile. Si le niveau d'huile du moteur est plus bas que celui exigé, le nettoyeur haute pression s'arrêtera automatiquement. (Reportez-vous au manuel du moteur pour cette caractéristique). Ceci protège le moteur de votre nettoyeur haute pression en l'empêchant de fonctionner sans le niveau de lubrification voulu.

Si le moteur de votre nettoyeur haute pression s'arrête et si le niveau d'huile respecte les spécifications, vérifiez si le nettoyeur haute pression n'est pas installé à un angle qui force l'huile à se déplacer. Installez sur une surface plane pour corriger ce problème. Si le moteur refuse de démarrer, le niveau d'huile n'est peut-être pas suffisant pour désactiver l'interrupteur de bas niveau d'huile. S'assurer que le moteur est bien rempli d'huile. Voir le manuel du moteur.



ATTENTION



La pompe surchauffera et peut être endommagée si on la laisse recycler pendant plus de cinq minutes.

SILENCIEUX PARE-ÉTINCELLES

CET PRODUIT PEUT NE PAS ÊTRE MUNI D'UN SILENCIEUX PARE-ÉTINCELLES. S'il doit être utilisé à proximité de matériaux inflammables, tels que des récoltes, des forêts, des broussailles, des herbes ou autres, il est fortement recommandé d'installer un pare-étincelles, par ailleurs obligatoire en Californie. L'usage d'un pare-étincelles pourrait également être exigé par d'autres lois et règlements. Pour de plus amples renseignements à cet égard, prière de contacter le service à la clientèle en composant le numéro de téléphone 1-888-895-4549 ou en visitant notre site Web à

SPÉCIFICATIONS

L'adresse www.pro-forceproducts.com.

Pression maximale d'entrée Jusqu'à 90 psig (620 kPa)
R/MIN 3600 R/MIN
Température des fluides pompés Jusqu'à 80 °F (27 °C)
Orifices d'entrée 3/4 po GHT (F)
Orifices de refoulement M22

Votre nettoyeur haute pression a une pompe d'entretien-libère. Il n'y a pas de besoin de changer le huile de pompe.

Vérifier le facteur de correction à utiliser en cas d'exigences spéciales à satisfaire par la pompe, lorsqu'elle doit fonctionner au-delà d'une ou plusieurs des limites indiquées ci-dessus.

Voici les renseignements concernant les trois buses fournies avec votre nettoyeur haute pression.

CHOIX DE BUSE DE PULVÉRISATION

Remarque: La force du jet sur la surface à nettoyer augmente lorsque vous rapprochez de la surface avec la baguette.

Haute pression 0 ° (rouge) : Le jet d'eau déchargé est très important. Faites preuve d'une extrême prudence afin d'éviter tout dommage à la surface qui est nettoyée ou toute blessure corporelle aux personnes ou aux animaux.

Haute pression 15 ° (jaune) : Ceci est la buse qui est utilisée pour la plupart des applications de nettoyage. Celle-ci offre une couverture étroite et un jet d'eau très puissant.

Haute pression 25 ° (verte) : L'utilisation de cette buse permet d'obtenir une couverture et un jet d'eau moyens. Idéale pour le rinçage de la saleté et des débris des surfaces.

Haute pression 40 ° (blanche) : Cette buse est utilisée pour la couverture de nettoyage la plus grande, sur une surface plus grande, avec un jet d'eau puissant.

Basse pression 65 ° (noire) : Permet d'obtenir une pulvérisation basse pression et une grande couverture. Utilisée principalement lors de l'utilisation de l'injecteur d'application de produits chimiques.

AVANT TOUTE UTILISATION

REMARQUE: Le moteur et la pompe de votre nettoyeur haute pression Pro Force® fonctionneront beaucoup mieux après une période de rodage de plusieurs heures.

PRÉPARATION PRECEDANT LA MISE EN MARCHÉ

Avant de mettre en marche le nettoyeur haute pression, vérifiez qu'il n'y a aucune pièce desserrée et manquante ainsi que pour tout dommage survenu lors de l'expédition.

MONTAGE DU TUYAU ET DU PISTOLET

REMARQUE: Alignez les raccords filetés avec soin pour ne pas endommager les fils en assemblant. Resserrez bien tous les raccords afin d'éviter toute fuite lorsque l'appareil est en marche.

Fixez le tuyau à l'arrivée de la gâchette du pistolet.

LUBRIFICATION DU MOTEUR

N'essayez PAS de faire démarrer le moteur du nettoyeur sans remplir l'arbre coudé du moteur de la bonne quantité et sorte d'huile. (Voir le manuel au sujet du moteur pour ces renseignements). On a expédié le moteur de votre nettoyeur de l'usine sans huile dans l'arbre coudé du moteur. Vous pouvez détruire le moteur en faisant fonctionner l'appareil sans huile.

La pompe ne possède pas de jauge d'huile ou de voyant latéral à glace. Vérifier s'il n'y a pas de fuites d'huile par la pompe. La pompe est expédiée de l'usine avec son huile.

CARBURANT

Remplissez le réservoir avec de l'essence d'automobile propre, fraîche sans plomb. (Voir Figure 1). On peut utiliser l'essence régulière si l'on a un indice d'octane élevé (au moins d'indice 85).



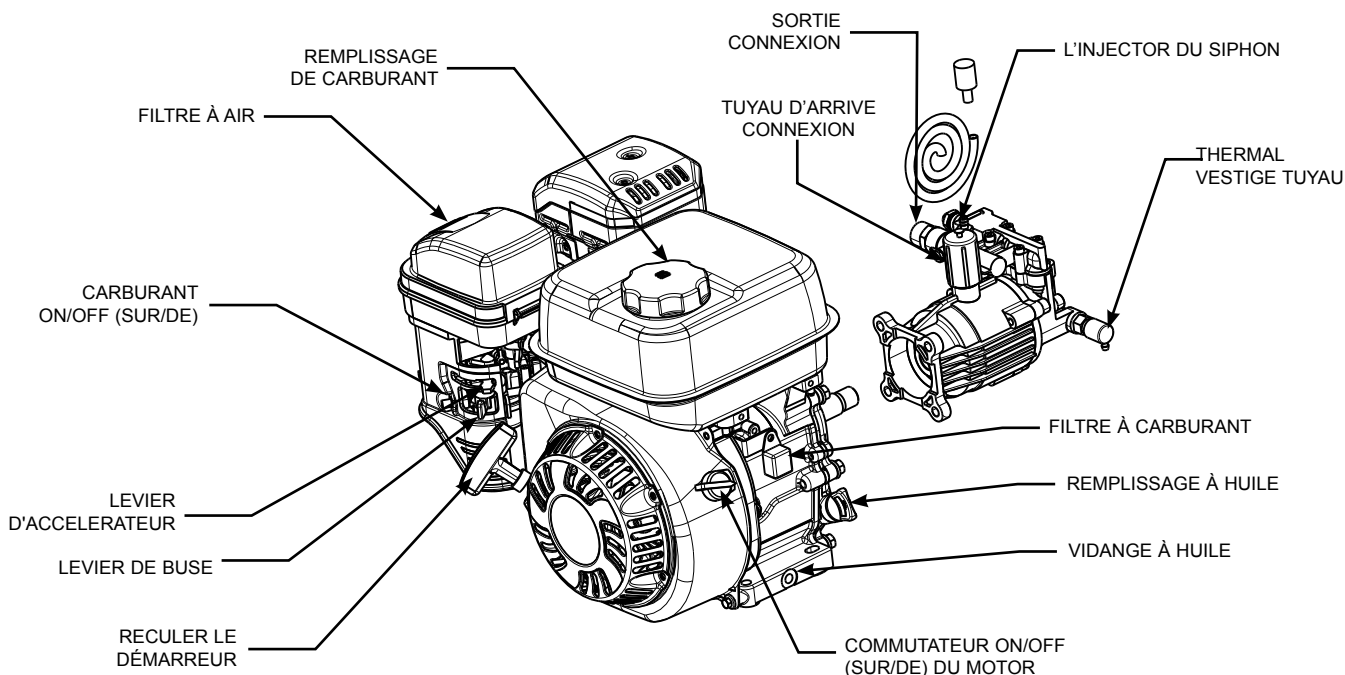
AVERTISSEMENT



L'essence est très dangereuse. De sérieuses blessures peuvent résulter d'un feu causé par l'essence entrant en contact avec des surfaces chaudes.

Ne pas trop remplir le réservoir. Maintenir le niveau d'essence maximum à deux centimètres au-dessous du haut du goulot de remplissage. Ceci permet l'expansion du carburant pendant les périodes de chaleur et empêche l'essence de déborder.

CARACTERISTIQUES DE MOTEUR ET POMPE - FIGURE 1



RACCORDEMENTS

TUYAU HAUTE PRESSION

Attacher la durite haute pression à la connexion de sortie située sur la pompe. (Voir Figure 1, page 14).

REMARQUE: Ne PAS utiliser un haut tuyau de pression d'un autre fabricant.

RACCORDEMENT D'EAU

Avant de raccorder l'appareil, faites couler l'eau dans le tuyau d'arrosage (non compris) pour évacuer toute matière étrangère. Vérifiez que la grille soit propre et dans l'arrivée de la pompe. Attacher le boyau d'arrosage de jardin à la connexion d'entrée située sur la pompe. (Voir Figure 1, page 14).

REMARQUE: L'alimentation en eau doit fournir un minimum de 4 g.p.m. à 40 à 80 p.s.i. sinon la pompe pourrait être endommagée.

UTILISATION

PROCÉDURE DE LANCEMENT

1. Assurez-vous que l'alimentation d'eau soit raccordée et en marche.
2. Dégagez le dispositif de verrouillage du pistolet.
3. Pour permettre à l'air de s'échapper du tuyau, appuyez sur la gachette du pistolet jusqu'à ce qu'il y ait un jet d'eau uniforme s'échappant de l'embout.
4. Retirez toute poussière ou matière étrangère de l'orifice de sortie du pistolet ainsi que du raccord de la baguette.
5. Insérez la baguette-buse dans la baguette du pistolet et resserrez le raccord en tournant manuellement.



AVERTISSEMENT



Si la pipette ou le gicleur ne sont pas solidement logés en place, ils pourraient être éjectés sous haute pression quand le pistolet est en fonction, ce qui pourrait causer des blessures ou dommages.

MISE EN MARCHÉ DU MOTEUR: (Voir Figure 1, page 14)

1. Vérifiez les niveaux d'huile et de carburant.
2. Ajustez le volet de départ si nécessaire.
3. Réglez le démarreur en position "ON".
4. Appuyez sur la gâchette du nettoyeur haute pression pour dégager la pression tout en tirant sur la corde du démarreur d'un coup rapide et égal sinon la pression peut s'accumuler rendant la mise en marche plus difficile.
5. Alors que le moteur se réchauffe, ouvrir l'étrangleur complètement.

UTILISATION DE PRODUITS CHIMIQUES



ATTENTION

Ce nettoyeur est conçu seulement pour les détergents liquides de lave-auto, formulés spécialement pour les nettoyeurs haute pression, et pour les savons doux. N'utilisez que des produits chimiques compatibles avec les pièces d'aluminium et de cuivre du nettoyeur. Les savons en poudre peuvent bloquer le système d'injection. Utilisez toujours les produits chimiques conformément aux directives des fabricants. MAT Industries, LLC n'accepte aucune responsabilité pour tout dommage causés par des produits chimiques injectés par ce nettoyeur haute pression.

1. S'assurer qu'un bout du tube d'injection de produit chimique est fixé à l'injecteur du siphon sur la pompe (voir figure 1)
2. S'assurer que l'autre bout du tube d'injection de produit chimique est fixé au manchon en bas du réservoir de produit chimique (voir figure 2)
3. Remplir votre réservoir de produit chimique avec le nettoyant de votre choix (la plupart des nettoyants sont concentrés, veuillez suivre les instructions de mélange comme indiqué par le fabricant du nettoyant).
4. Installer la buse noire à basse pression et à connexion rapide sur le tube rallonge d'arrosage. La solution sera automatiquement mélangée avec l'eau et déversée par la buse.

TECHNIQUE DE NETTOYAGE

TECHNIQUE DE NETTOYAGE

Lorsque vous nettoyez avec le nettoyeur à haute pression, on peut accomplir de nombreuses tâches de nettoyage en utilisant seulement de l'eau, mais pour la plupart des tâches il est préférable d'utiliser aussi un nettoyant ce qui assure un trempage rapide de la saleté et par conséquent permet à l'eau à haute pression de pénétrer et de retirer la saleté plus efficacement.

Les produits chimiques de nettoyeur à haute pression sont spécialement formulés pour votre nettoyeur à haute pression.

APPLICATION DE SAVON OU DE DEGRAISSANT

1. Appliquez la solution sur une surface de travail SÈCHE. Sur une surface verticale, appliquez horizontalement d'un côté à l'autre en commençant par le bas pour éviter des coulées.

NOTE: Il n'est pas recommandé de mouiller la surface d'abord parce que cela dilue le détergeant et réduit sa capacité de nettoyage. Évitez de travailler sur des surfaces chaudes ou sous les rayons directs du soleil afin de réduire les risques que le produit chimique n'abîme les surfaces peintes. Les dommages à la surface peinte peuvent survenir après séchage du produit chimique sur la surface en question. Tenez la buse suffisamment éloignée de cette dernière pour empêcher que la surface ne s'abîme.

2. Laissez le produit chimique sur la surface un peu avant de le rincer.
3. Rincez à l'eau propre sous une haute pression. Sur les surfaces verticales, rincez d'abord de bas en haut, puis rincez de haut en bas. Tenez l'ajutage de 6 à 8 pouces de la surface de travail à un angle de 45° en utilisant un jet plat comme un outil pour peler plutôt que comme une brosse pour frotter.

APPLICATION DE CIRE

1. Immédiatement après le nettoyage, appliquez la cire du nettoyeur à haute pression. Placez le type d'injection dans le contenant de cire.
2. Appliquez la cire en petite quantité en une couche uniforme. Appliquez aux surfaces mouillées de bas en haut haut uniformément pour éviter les coulées.
3. Retirez le tube de succion de la bouteille de cire et rincez le surplus de cire.

NOTE: SI L'EXCÉDENT DE CIRE N'EST PAS ENLEVÉ, ON PEUT AVOIR UN FINI BROUILLÉ.

4. Essayez pour réduire les tâches d'eau.

FIN DE L'ACTIVITÉ DE NETTOYAGE

Lorsque vous avez fini d'utiliser le système d'injection de produits chimiques, retirez le tube du récipient. Laissez la machine fonctionner à basse pression et injectez de l'eau propre par le tube et le système d'injection, en plongeant l'extrémité du tube dans un récipient d'eau propre. Laissez la machine en marche jusqu'à ce que le nettoyage soit terminé.

ENTRETIEN DE L'APPAREIL

RACCORDS

Les connexions sur les tuyaux des appareils de nettoyage sous pression, le pistolet et le gicleur d'arrosage doivent être nettoyés régulièrement et lubrifiés avec de la graisse siliconnée pour prévenir les fuites et dommages aux joints toriques.

AJUTAGE

Si l'ajutage est bloqué cela peut provoquer une pression trop forte de la pompe et il faut le nettoyer immédiatement.



AVERTISSEMENT



Un nettoyeur à gicleur peut être utilisé seulement lorsque le gicleur d'arrosage est débranché du pistolet pour éviter les blessures.

1. Déposer le gicleur de la pipette.
2. Eclaircir le jet avec le jet épingle plus propre à fournir avec la nettoyeur haute pression.
3. Vidangez l'ajutage en sens inverse avec de l'eau.
4. Poser à nouveau le gicleur dans la pipette.

Remettez en marche le nettoyeur à haute pression et dégagez la gachette du pistolet vaporisateur. Si l'ajutage est encore bloqué ou l'est partiellement, reprenez les étapes 1 à 4 précédentes.

Si la marche à suivre précédente ne permet pas de dégager la buse, remplacez-la par une nouvelle buse.

FILTRE A EAU

Votre nettoyeur haute pression est muni d'une grille pour la prise d'eau afin de protéger la pompe. Si la grille n'est pas bien entretenue, cela réduira le débit d'eau du nettoyeur haute pression et pourra endommager la pompe. En retirant ou nettoyant la grille, ne l'endommagez pas. Toute particule étrangère pénétrant dans la pompe peut l'endommager. Ne faites PAS fonctionner le nettoyeur haute pression sans grille.

Enlevez le filtre à tamis et procédez à son rinçage par circulation inverse afin d'en déloger les impuretés. Remplacez-le immédiatement.

ENTRETIEN DU MOTEUR

Durant les mois d'hiver, il peut y avoir des conditions atmosphériques rares qui pourrait geler le carburateur. Si ceci se produit, le moteur peut mal tourner, perdre de la puissance et s'arrêter.

REMARQUE: Reportez-vous au manuel du fabricant du moteur pour l'utilisation et l'entretien du moteur.

RANGEMENT

RANGEMENT DE LA POMPE

Si vous devez ranger votre nettoyeur à haute pression dans un endroit où la température est sous 0°C, vous pouvez réduire les risques de dommages en utilisant la démarche suivante:

1. Coupez l'alimentation en eau et relâchez la pression dans le pistolet pulvérisateur en appuyant sur la gâchette. Débranchez le tuyau d'arrosage de la laveuse à pression tout en assurant le raccordement du flexible haute pression.
2. Mettez l'appareil sur le côté, la connexion d'entrée vers le haut.
3. Insérez un petit entonnoir (pour éviter les fuites) dans l'orifice d'entrée et versez-y environ 1/4 tasse d'antigel.
4. Débranchez le fil de la bougie.
5. Sans raccorder le tuyau d'arrosage, tirez sur le mécanisme de rappel plusieurs fois afin de faire circuler l'antigel dans le système de la pompe. Continuez à ajouter de l'anti-gel et de tirer sur le mécanisme de rappel jusqu'à ce que l'anti-gel sorte en tirant sur la gâchette. Débranchez le tuyau haute pression. L'anti-gel servira à empêcher la rouille durant l'entreposage et aidera à empêcher les pistons de coller.
6. Mettez l'appareil debout.



ATTENTION

Avant de remettre l'appareil en marche, dégelez toute glace des tuyaux de nettoyeur, du pistolet de pulvérisation et de la baguette.

Une autre méthode pour réduire les risques de gel est de vidanger votre appareil comme suit:

1. Arrêtez le nettoyeur à haute pression et retirez le tuyau d'alimentation et le tuyau à haute pression. Appuyez sur la gâchette du pistolet de décharge afin de drainer l'eau de la baguette et du tuyau.
2. Remettez en marche le nettoyeur à haute pression et laissez-le fonctionner brièvement (environ 5 secondes) jusqu'à ce qu'il n'y ait plus d'eau qui s'écoule de la sortie à haute pression.

RANGEMENT DU MOTEUR

Lorsque le nettoyeur haute pression n'est pas utilisé ou lorsqu'il est rangé pour plus d'un mois, suivez ces instructions:

1. Ajoutez de l'huile à moteur jusqu'au niveau supérieur.
2. Vidangez l'essence du réservoir, de la tuyauterie, de la soupape et du carburateur.
3. Versez environ une cuillerée à café d'huile à moteur dans le trou de la bougie, tirez sur le lanceur à rappel plusieurs fois et remplacez la bougie. Puis tirez sur le démarreur lentement jusqu'à ce que vous sentiez une pression accrue indiquant que le piston est en mode de compression et laissez-le ainsi. Ceci ferme les soupapes d'entrée et d'échappement afin d'éviter que l'intérieur du cylindre ne rouille.
4. Couvrez le nettoyeur haute pression et rangez-le dans un endroit propre et sec, bien ventilé et loin de flammes nues et d'étincelles.

REMARQUE: Il est recommandé d'utiliser en tout temps le stabilisateur de carburant, ce qui permettra de réduire la formation de dépôts de gomme dans le carburant lors de son entreposage. On peut ajouter le stabilisateur à l'essence en le versant soit dans le réservoir de carburant, soit dans un récipient d'entreposage.

GARANTIE LIMITÉE

Couverture limitée : MAT Industries, LLC (la compagnie) garantit au revendeur d'origine en Amérique du Nord qu'elle réparera ou remplacera, sans frais, toutes les pièces que la compagnie ou que son représentant du service autorisé auront déterminé comme étant défectueuses du point de vue du matériel ou de la fabrication. La garantie couvre les coûts de remplacement des pièces et de main-d'œuvre pour tout défaut matériel ou de fabrication.

Ce qui n'est pas couvert :

- Les frais de transport pour envoyer le produit à la compagnie ou à son représentant du service autorisé pour effectuer le travail couvert par la garantie, les frais d'expédition au client des produits réparés ou remplacés. Ces frais doivent être assumés par le client.
- Le moteur peut être couvert exclusivement par une garantie distincte du fabricant du moteur, tel que prévu dans le guide d'utilisation du moteur (si inclus).
- Les dommages causés par un abus ou un accident, et les effets de la corrosion, de l'érosion ainsi que de l'usure normale.
- La garantie est annulée si le client n'arrive pas à garder et faire fonctionner le produit conformément aux directives et aux recommandations de la société formulées dans le guide d'utilisation.
- La garantie s'applique uniquement si le produit est utilisé à des fins d'une application du consommateur seulement, et celle-ci ne s'applique pas si le produit est utilisé dans le cadre d'applications commerciales ou d'entreprise, ou à titre d'équipement de location.
- La compagnie ne paiera pas de réparation ou des ajustements au produit, ou pour les coûts ou main-d'œuvre, exécuté sans l'autorisation préalable de la compagnie.

Période couverte par la garantie : Un (1) an à compter de la date d'achat. En ce qui concerne l'entretien couvert par la garantie, le client doit présenter une preuve de la date d'achat et il doit aviser la compagnie au cours de la période couverte par la garantie.

Pour tout ce qui touche l'entretien couvert par la garantie : Composez sans frais le 1-888-895-4549, ou écrivez à **MAT Industries, LLC, Wildlife Way, Long Grove, IL 60047 É.-U.**

EXCLUSIONS ET LIMITATIONS : LA COMPAGNIE NE PRÉSENTE AUCUNE AUTRE GARANTIE, EXPRESSE OU IMPLICITE. LES GARANTIES IMPLICITES, INCLUANT LES GARANTIES DE QUALITÉ MARCHANDE ET DE CONFORMITÉ AUX BESOINS SONT, PAR LA PRÉSENTE, ABANDONNÉES. L'ENTRETIEN COUVERT PAR LA GARANTIE DÉCRIT CI-DESSUS EST UN RECOURS EXCLUSIF EN VERTU DE CETTE GARANTIE. LA RESPONSABILITÉ POUR DES DOMMAGES ACCESSOIRES ET INDIRECTS EST EXCLUE JUSQU'À LA LIMITE AURORISÉE PAR LA LOI.

Cette garantie vous donne des droits spécifiques reconnus par la loi. Vous pouvez également bénéficier de certains autres droits, lesquels varient d'une province (État) à l'autre. Certaines provinces (ou certains États) n'autorisent pas de clauses de renonciation des garanties implicites ou de limites à l'égard de dommages accessoires ou indirects, ainsi, les clauses de renonciation et les exclusions ci-dessus peuvent ne pas s'appliquer à vous.

PROBLEME	CAUSE POSSIBLE	CORRECTION
Le moteur ne se met pas en marche ou arrête en pleine manoeuvre.	Commande d'arrêt de bas niveau d'huile.	Faites le plein d'huile du moteur.
	Interrupteur du moteur n'est pas sur "ON".	Placez l'interrupteur sur "ON".
	Augmentation de la pression dans les tuyaux	Pressez la gâchette.
Le moteur surchauffe	La buse est bloquée.	Nettoyez la buse.
	Pression excessive.	Réduisez la pression en utilisant le bouton d'ajustement de pression.
De l'eau ou de l'huile fuit du bas de la pompe.	De légères fuites sont normales.	En cas de fuites trop importantes, appelez le service clientèle.
La pression augmente lorsque le pistolet est fermé.	La soupape de dérivation ne fonctionne pas correctement.	Appelez le service clientèle.
Le moteur tourne mais la pompe n'arrive pas à la pression maximale ou a une pression irrégulière.	Le robinet est fermé.	Ouvrez le robinet.
	L'appareil a été soumis à des températures au-dessous de 0°C.	Laissez l'appareil atteindre une température plus élevée, tuyau, poignée pistolet et lance compris.
	Alimentation en eau insuffisante.	Fournissez un minimum de 4 gpm à 20 psi.
	Le filtre de l'alimentation en eau est bouché	Nettoyer le filtre.
	Le tuyau d'arrosage est plié.	Retendez le tuyau d'arrosage.
	Buse de la baguette est usée ou endommagée	Remplacez la buse.
	Il y a de l'air dans la pompe.	Laisser le Nettoyeur à haute pression tourner avec le pistolet ouvert et la lance enlevée jusqu'à ce que l'eau sorte en débit régulier.
	Les valves d'aspiration ou d'écoulement sont bouchées ou usées.	Appelez le service clientèle.
L'injection de savon ou de cire ne se fait pas	Le tube d'injection n'est pas fermement raccordé à la lance.	Poussez fermement dans l'appareil.
	Le tube est filé ou fendu.	Remplacez le tube.
	Mauvais buse.	Changez pour la buse à basse pression.
	La buse est bouchée.	Nettoyer la buse.
	Le filtre du tube d'injection est bouché.	Nettoyer le filtre.
	Du savon a séché dans l'injecteur.	Dissolvez le savon en faisant passer de l'eau chaude dans le tube d'injection.
Gâchette ne bouge pas	Verrou de sécurité est enclenché.	Dégagez le verrou de sécurité.
Eau dans le carter.	Forte humidité.	Changez l'huile plus fréquemment.
	Joint usés.	Appeler le service Clients.
Fonctionne bruyamment.	Roulements usés.	Appelez le service clientèle.
	Air mêlé à l'eau.	Vérifiez les lignes d'arrivée pour obstruction et/ou mauvaise taille.
Fonctionne difficilement/par à coup avec des chutes de pression.	Rembourrage usé.	Appelez le service clientèle.
	Arrivée obstruée.	Vérifiez le système pour arrêt, fuite d'air, ligne d'arrivée à la pompe de taille incorrecte.
	Contrôleur de détente.	Vérifiez le fonctionnement du contrôleur de détente.
	Air mêlé à l'eau.	Vérifiez les lignes d'arrivée pour obstruction et/ou mauvaise taille.
Température de carter élevée.	Mauvais type d'huile.	Utilisez l'huile recommandée.
	Mauvaise quantité d'huile dans le carter.	Ajustez le niveau d'huile pour la bonne quantité

Felicidades por la compra de la Lavadora a Presión Pro Force®. Ya sea que se trate de una limpieza liviana en el hogar o de las tareas de limpieza más difíciles, las lavadoras a presión Pro Force® están hechas para darle toda la potencia necesaria. La lavadora a presión Pro Force® le será útil por muchos años si sigue los procedimientos correctos de interrupción, instalación y operación; además brinde mantenimiento preventivo al equipo de acuerdo con las indicaciones del manual del motor que se incluye con la máquina.

Lo más importante es su seguridad y la de quienes lo rodean. Recuerde observar las reglas mínimas de seguridad cuando utilice la lavadora a presión Pro Force® a la potencia necesaria para desempeñar sus tareas de limpieza.

Gracias por depositar su confianza en nuestro producto.

MAT Industries

SERVICIO PARA LOS CLIENTES

Para obtener informes sobre la póliza de servicio o para ordenar un reemplazo de partes o de accesorios llame nuestra División de Servicio
1-888-895-4549
según el horario central de los EE.UU.

Sírvase tener disponible la información siguiente:

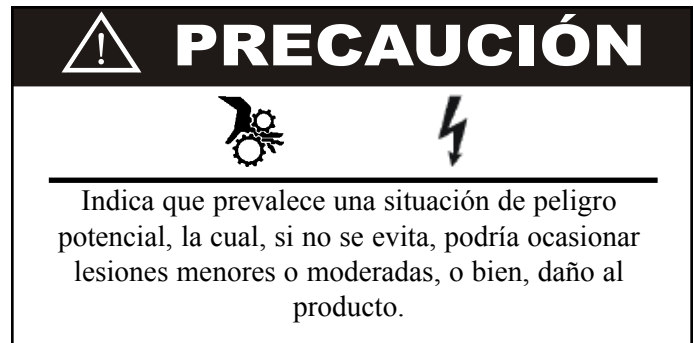
1. El número del modelo.
2. El número de la serie.
3. Fecha y el lugar de compra.
4. Número de las piezas en caso de ordenar repuestos.

MAT Industries, LLC
6700 Wildlife Way
Long Grove, IL 60047
La atención: Departamento de Servicio de garantía

www.pro-forceproducts.com

Símbolos de seguridad

La siguiente simbología se utiliza en todo este manual. Siga las instrucciones que se proporcionan para garantizar su seguridad.



NOTA: Indica información sobre funcionamiento o mantenimiento útil para mejorar el rendimiento o la operación del equipo.



ADVERTENCIA DE LA PROPUESTA DE LEY 65 DE CALIFORNIA

Este producto contiene sustancias químicas que, consta al Estado de California, producen cáncer, malformaciones congénitas o daños reproductivos.

Se deben observar las siguientes Precauciones de Seguridad cuando se utilice, se almacene o se le dé servicio a la lavadora a presión Pro Force® o a sus motores, para reducir el riesgo de lesiones personales. Si se pasan por alto o se ignoran estas precauciones se podrían sufrir lesiones personales o se podría dañar el producto.

ADVERTENCIA



- Lea cuidadosamente este manual y familiarícese con el equipo. Tenga en cuenta las aplicaciones, los riesgos potenciales y las limitaciones de la unidad.
- Conozca su equipo. Considere las aplicaciones, limitaciones y los riesgos potenciales específicos de su unidad.
- Almacene la lavadora a presión con el tanque para combustible vacío en un área con suficiente ventilación. Nunca se debe almacenar combustible cerca del lavador a presión.
- Nunca haga funcionar el equipo si se presenta cualquiera de estas condiciones:
 - a. Un cambio evidente en la velocidad del motor.
 - b. Una pérdida evidente de la presión.
 - c. El motor no enciende.
 - d. Presencia de humo o de llamas.
 - e. Compartimento cerrado.
 - f. Vibración excesiva.
 - g. Lluvia o inclemencias del tiempo.
- Nunca se debe dirigir la presión del agua hacia el cableado eléctrico ni hacia la lavadora.
- No permita que la manguera entre en contacto con el silenciador caliente del escape.
- El equipo se debe colocar sobre una superficie resistente y firme.
- Retire la bujía o el cable para evitar que el equipo se encienda accidentalmente cuando no se esté utilizando o antes de retirar la manguera de alta presión.
- Mantenga la lavadora a presión limpia y sin aceite, lodo ni ningún otro material extraño.
- No se ponga ropa holgada, joyas ni ningún otro accesorio que pudiera trabarse en el motor.
- Nunca dirija el agua a presión hacia las personas ni hacia los animales.
- Nunca permita que los niños operen la lavadora a presión en ningún momento.
- Use las dos manos para controlar la varilla.

ADVERTENCIA



- No toque la boquilla ni el atomizador de agua mientras el equipo esté funcionando.
- Utilice gafas protectoras cuando opere el equipo.
- Sólo utilice las mangueras y boquillas aprobadas.
- La pistola de gatillo no debe estar atascada “En” mientras el equipo está en marcha.
- Nunca haga nudos ni retuerza la manguera de alta presión.
- Todas las conexiones de la manguera deben estar selladas adecuadamente.
- Antes de arrancar la lavadora a presión en un ambiente frío verifique que no se haya formado escarcha en ninguna parte del equipo.
- Utilice sólo las sustancias químicas recomendadas.
- Use el equipo únicamente en exteriores.
- Mientras utiliza la lavadora a presión, colóquela retirada del lugar que desee limpiar.
- Para evitar que se libere el agua accidentalmente, la pistola atomizadora se debe asegurar bloqueando el gatillo cuando no esté en uso.
- No haga funcionar la lavadora a presión por más de cinco minutos sin presionar el gatillo ya que esto puede dañar la bomba.
- Periódicamente revise que el sistema de combustible no tenga salideros ni señales de deterioro tales como una manguera inflada o esponjada, abrazaderas flojas o ausentes, o daños en el tanque o en la tapadera. Se deben corregir todos los defectos antes de utilizar el equipo.
- No toque el silenciador del escape cuando esté caliente.
- Dele servicio al equipo, hágalo funcionar y llénelo de combustible, bajo las siguientes condiciones:
 - a. Ventilación adecuada.
 - b. Llène de combustible en un área bien iluminada.
 - c. Evite que el combustible se derrame y nunca llene el tanque mientras el lavador a presión esté encendido.
 - d. Evite cualquier fuente de ignición cuando esté llenando el tanque de combustible.
 - e. Utilice combustible sin plomo de 85 octanos como mínimo.
- No fume cerca de la lavadora a presión.
- No utilice mangueras de alta presión dañadas.

CARACTERÍSTICAS DE SEGURIDAD

VALVULA DE DESCARGA DE CALOR

El lavador está provisto de una válvula de descarga de calor que evita que la bomba se recaliente en caso de que la pistola de pulverización esté cerrada por largo tiempo o se haya obstruido la boquilla. Sin embargo, su objetivo principal es trabajar como sistema de refuerzo y su tarea está totalmente orientada a evitar que la bomba se recaliente.

Recomendamos desconectar el lavador a presión si se va a interrumpir su uso por más de cinco minutos. Esto le evitará desgaste prematuro a la unidad, reducirá el consumo de combustible y extenderá el tiempo de vida útil de la bomba evitando el calor.

DISPOSITIVO DE SEGURIDAD

Para prevenir una descarga accidental de agua a alta presión, accione el dispositivo de seguridad del gatillo mientras no esté usando el lavador a presión (Consulte las instrucciones de operación).

APAGADO POR BAJO NIVEL DE ACEITE

Todos los motores están equipados con el dispositivo de cierre por bajo nivel de aceite. Si el nivel de aceite es inferior al que se requiere, el lavador se apagará automáticamente. (Consulte el manual sobre esta característica). Esto impide que su lavador continúe funcionando sin la cantidad adecuada de lubricación.

Si se apaga el lavador y el nivel de aceite está de acuerdo con las especificaciones, cerciórese que el lavador esté apoyado sobre un ángulo de manera que haga salir el aceite. Para lograr esto, coloque el equipo sobre una superficie plana. Si el motor no arranca, tal vez el nivel de aceite no sea suficiente como para desactivar el interruptor del nivel de aceite. Asegúrese de que el motor esté completamente lleno de aceite. Vea el manual del motor.



PRECAUCIÓN



La bomba se recalientará y podría dañarse si se deja recircular por más de cinco minutos.

SILENCIADOR APAGACHISPAS

PUEDA SER QUE SU PRODUCTO NO ESTE EQUIPADO CON UN SILENCIADOR APAGACHISPAS. Si el producto va a usarse cerca de materiales inflamables, tales como cosechas agrícolas, bosques, arbustos, pastos u otros artículos similares, entonces debe instalarse un apagachispas aprobado. Esto se requiere legalmente en el estado de California, E.U.A. Los estatutos de California, E.U.A. que requieren un apagachispas son las Secciones 13005(b), 4442 y 4443. Los apagachispas también se requieren en algunas de las tierras del Servicio de Bosques de los E.U.A. y también podrían ser requeridos legalmente según otros estatutos y ordenanzas. Para obtener más información, comuníquese con nuestro Departamento de Servicio al Cliente al teléfono 1-888-895-4549 ó www.pro-forceproducts.com.

ESPECIFICACIONES

Máxima presión de entrada Hasta 90 PSIG
RPM 3600 RPM
Temperatura de los fluidos bombeados . . 80°F máximo (27°C)
Puertos de entrada 3/4" GHT (F)
Puertos de descarga M22

Su lavador a presión tiene una bomba de conservación libreta. No hay necesidad de cambiar el aceite de bomba.

Consulte al fabricante sobre las necesidades especiales que se deben satisfacer si se utilizará la bomba más allá de alguno de los límites especificados anteriormente.

SELECCIÓN DE BOQUILLA DE PULVERIZACIÓN

A continuación se incluye información referida a las tres boquillas provistas con su lavador.

NOTA: La fuerza del pulverizador sobre la superficie que está limpiando aumentará en la medida que usted acerque la varilla a la superficie.

Alta presión a 0° (rojo): La corriente de agua descargada es muy agresiva. Utilícese con suma precaución para evitar daños a la superficie que se está limpiando o lesiones a personas o animales.

Alta presión a 15° (amarillo): Se refiere a la boquilla que se utiliza para la mayoría de aplicaciones de limpieza. Suministra una cobertura estrecha y una corriente de agua sumamente potente.

Alta presión a 25° (verde): El uso de esta boquilla ofrece tanto cobertura como corriente de agua intermedias. Mejor si se utiliza para enjuagar a presión tierra y escombros de las superficies.

Alta presión a 40° (blanco): Esta boquilla se utiliza para limpiar con la cobertura más amplia en una zona mayor con una potente corriente de agua.

Baja presión a 65° (negro): Proporciona una rociada a baja presión y una amplia cobertura. Se usa principalmente cuando se pone en funcionamiento el inyector químico para aplicar químicos.

ANTES DE LA OPERACIÓN

NOTA: El motor y la bomba de su lavador a presión Powermate® tendrán un mejor rendimiento luego de un período de uso inicial de varias horas.

PREPARACION INICIAL

Antes de poner en marcha el lavador a presión, verifique que no hay a piezas sueltas y flojas, ni que se hayan producido daños durante el envío.

ENSAMBLADO DE MANGUERA Y PISTOLA

NOTA: Alinee las conexiones roscadas cuidando de no dañar las partes roscadas durante el ensamblado. Ajuste bien las conexiones para evitar salideros durante la operación.

Una la manguera a la entrada de la pistola.

LUBRICACION DEL MOTOR

NO trate de encender el motor del lavador a presión sin llenar el cárter con la cantidad y clase de aceite que corresponda. (Consulte el manual del motor sobre esta información). El motor de su lavador ha sido embalado sin aceite en el cárter. Operar el motor sin aceite le causará daños al motor.

La bomba no está equipada con una varilla de nivel de aceite o una ventana lateral de vidrio. Verifique que la bomba no tenga fugas de aceite. El aceite de la bomba se suministra con la bomba desde la fábrica.

COMBUSTIBLE

Primeramente llene el tanque con gasolina sin plomo, de automóvil limpia y nueva. (Consulte Diagrama 1). Puede usarse gasolina regular siempre que tenga una clasificación de octanos elevada (mínimo: 85 octanos).



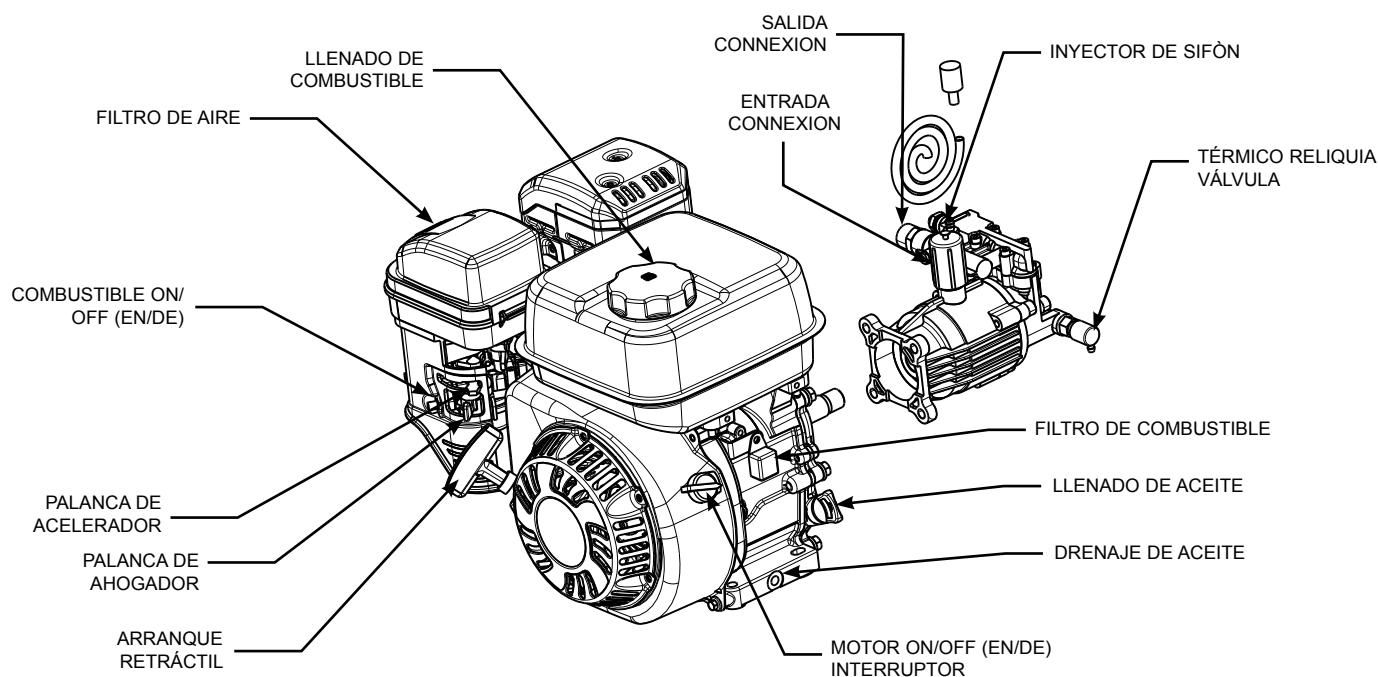
ADVERTENCIA



La gasolina es muy peligrosa. Usted podría llegar a sufrir lesiones graves a causa de incendios provocados por el contacto de gasolina con superficies calientes.

No llene demasiado el tanque. Mantenga un nivel máximo de combustible a 1/2 pulgada por debajo de la parte superior del cuello por donde se llena de combustible. Esto permitirá la expansión durante el clima cálido, evitando así el derrame.

CARACTERISTICAS DE MOTOR Y BOMBA - DIAGRAMA 1



CONEXIONES DE OPERACIÓN

MANGUERA DE ALTA PRESIÓN

Conecte la manguera de presión alta a la conexión de salida que se encuentra en la bomba. (Consulte Diagrama 1, página 22).

NOTA: No utilice una manga alta de la presión de otro fabricante.

CONEXIÓN DE AGUA

Antes de conectar la unidad, haga correr el agua a través de la manguera de jardín (no se incluye) Para limpiarla de cualquier elemento extraño. Verifique que la rejilla esté limpia y colocada en la entrada de la bomba. Conecte la manguera de jardín a la conexión de entrada que se encuentra en la bomba. (Consulte Diagrama 1, página 22).

NOTA: El suministro de agua debe ser de un mínimo de 4 galones por minuto a 40 a 80 libras por pulgada cuadrada o de lo contrario se dañaría la bomba.

INSTRUCCIONES DE OPERACIÓN

PROCEDIMIENTO DE ARRANQUE

1. Cerciórese de que el suministro de agua esté conectado y abierto.
2. Suelte la traba de seguridad de la pistola.
3. Para permitir el escape del aire de la manguera, apriete el gatillo de la pistola hasta que haya un chorro parejo de agua saliendo del disparador.
4. Quite la suciedad o materias extrañas de la salida de la pistola y del conector macho de la varilla.
5. Inserte la varilla de la boquilla dentro de la varilla de la pistola



PRECAUCIÓN



Si el tubo o la boquilla no está cerrado de manera segura en su lugar, podría salir expulsado por la presión alta al operar la pistola ocasionando posibles lesiones o daños.

y ajuste a mano el accesorio de sujeción.

ENCENDIDO DEL MOTOR (Consulte Diagrama 1, página 22)

1. Revise el nivel de aceite y combustible.
2. Ajuste el cebador cuanto sea necesario.
3. Coloque el interruptor del motor en posición de encendido ("ON").
4. Oprima el gatillo del lavador para liberar la presión mientras hala la cuerda del arrancador del motor con un tirón rápido y parejo. De lo contrario podría acumularse demasiada presión y dificultaría el encendido de la unidad.
5. A medida que se calienta el motor, abra el estrangulador a lleno.

DE INYECCIÓN DE QUÍMICOS



PRECAUCIÓN

Este lavador se usa sólo con detergentes líquidos para lavado de autos, fabricados especialmente para lavadores a presión, y con jabones suaves. Use únicamente productos químicos que sean compatibles con las piezas de aluminio y de bronce del lavador a presión. Los jabones en polvo pueden obstruir el sistema de inyección. Utilice los químicos siguiendo siempre las instrucciones de fábrica. MAT Industries, LLC no asume ninguna responsabilidad por daños causados por químicos inyectados a través del lavador a presión.

1. Asegúrese que un extremo del tubo de inyección del químico esté unido al inyector del sifón en la bomba (vea la figura 1)
2. Asegúrese que el otro extremo del tubo de inyección del químico esté unido al niple en el fondo del tanque de químicos (vea la figura 2)
3. Llene su tanque de químicos con el limpiador de su elección (muchos limpiadores están concentrados, por favor siga las instrucciones de mezclado según el fabricante del limpiador).
4. Instale el conector rápido negro de presión baja en la varilla de rocío. La solución se mezclará automáticamente con el agua y se descarga por la boquilla.

TECNICAS DE LIMPIEZA

TECNICAS DE LIMPIEZA

Cuando use el lavador a presión, muchas tareas de limpieza se pueden resolver usando solamente agua, pero para la mayoría de las tareas es mejor usar también detergente. El detergente asegura un remojo rápido de la suciedad y permite que el agua a alta presión penetre mejor y limpie con más efectividad.

Los productos químicos para el lavador de presión están formulados especialmente para usarse con su lavador de presión.

APLICACIÓN DE JABÓN O DESGRASADOR

1. Aplique la solución a una superficie de trabajo SECA. Sobre una superficie vertical, aplique horizontalmente de lado a lado comenzando desde el inferior para evitar rayones.
NOTA: No se recomienda humedecer la superficie, ya que diluye el detergente y reduce la habilidad de limpieza. Evite trabajar en superficies calientes o bajo la luz directa del sol para minizar las posibilidades de daño químico de las superficies pintadas. Pueden presentarse daños en la superficie pintada si deja que los químicos se sequen en la superficie. Sostenga la boquilla lo suficientemente lejos para evitar daños a la superficie.
2. Deje que los productos químicos permanezcan en la superficie por un corto tiempo antes de enjuagarlos.
3. Enjuague con agua limpia a alta presión. En una superficie vertical, primero enjuague empezando por la parte inferior y continuando hacia arriba, luego enjuague desde arriba hacia abajo. Sostenga la boquilla de 6 a 8 pulgadas de la superficie a un ángulo de 45° usando el Rociador plano como una herramienta para descortezar en lugar de un cepillo para restregar.

APLICACION DE CERA

1. Inmediatamente después de limpiar, aplique Cera para el lavador de presión. Coloque el tubo de inyección en el recipiente de la cera.
2. Aplique la cera en pequeñas cantidades formando una capa uniforme. Aplique a superficies húmedas empezando desde la parte inferior y continuando hacia arriba para obtener una distribución uniforme y evitar rayones.
3. Quite el tubo de succión del frasco de cera y enjuague la cera sobrante.

NOTA: SI NO SE QUITA LA CERA SOBRANTE, PUEDE QUEDAR UNA TERMINACIÓN OPACA.

4. Seque con un trapo para reducir manchas del agua.

FIN DE LA OPERACIÓN DE LIMPIEZA

Fin de la operación

Al terminar de utilizar el sistema de inyección química, retire el tubo del contenedor. Con el equipo a baja presión inyecte agua limpia por el tubo y el sistema de inyección, colocando el tubo en un recipiente con agua limpia. Mantenga en marcha el equipo hasta que el sistema se haya limpiado completamente.

MANTENIMIENTO

CONEXIONES

Las conexiones en las mangueras de lavado a presión, tubo de rocío y pistola se deben lavar y lubricar con grasa de silicón regularmente para evitar fugas y daños en los empaques de anillo.

BOQUILLA

La obstrucción de la boquilla provoca que la presión de la bomba sea demasiado alta y es necesaria una limpieza inmediata.



ADVERTENCIA



Debe utilizar un limpiador de boquillas únicamente cuando esté desconectada la boquilla de rocío de la pistola o podría sufrir una lesión personal.

1. Retire la boquilla del tubo.
2. Vacíe la boca con la boca alfiler más limpio proporcionó con la lavador de presión. .
3. Purgue la boquilla en sentido regresivo con agua.
4. Vuelva a colocar la boquilla en el tubo.

Arranque de nuevo el lavador de presión y oprima el gatillo de la pistola de rocío. Si la boquilla todavía está obstruida o parcialmente obstruida, repita los pasos anteriores de 1 al 4.

Si el procedimiento anterior no limpia la boquilla, reemplácela con una nueva boquilla.

REJILLA DE AGUA

El lavador está equipado con una rejilla de entrada de agua para proteger la bomba. Si no se mantiene limpia la rejilla, el caudal de agua que va al lavador se verá limitado y podría dañarse la bomba. Trate de no dañar la rejilla al quitarla o limpiarla. Cualquier elemento extraño podría dañar la bomba. No opere el lavador a presión sin la rejilla en su lugar.

Retire el filtro y aplique agua por la parte de atrás a fin de retirar las impurezas del mismo. Colóquelo de nuevo de inmediato.

MANTENIMIENTO DEL MOTOR

Durante los meses de invierno, las inclemencias del tiempo pueden provocar una situación de congelamiento en el carburador. Si ocurre esto, el motor puede empezar a funcionar mal, perder potencia y detenerse.

NOTA: Consulte el manual de fábrica del motor para informarse sobre el servicio de mantenimiento.

ALMACENAMIENTO**ALMACENAMIENTO DE LA BOMBA**

Si debe guardar el lavador de presión en un sitio donde la temperatura baje a menos de 32°F, puede minimizar el riesgo de daño a su máquina siguiendo este procedimiento:

1. Cierre el suministro de agua y libere la presión de la pistola rociadora al presionar el disparador. Desconecte la manguera de jardín de la lavadora a presión, pero deje conectada la manguera de presión alta.
2. Inclíne la unidad hacia un lado con la conexión de entrada apuntando hacia arriba.
3. Introduzca un embudo pequeño (para evitar derrames) en la entrada y vierta aproximadamente ¼ taza de anticongelante.
4. Desconecte el cable de la bujía.
5. Sin conectar la manguera de jardín, hale varias veces el retroceso para hacer circular el anticongelante en el sistema de la bomba. Siga agregando anticongelante y halando el retroceso hasta que el anticongelante sea expulsado al apretar el gatillo. Desconecte la manguera de alta presión.
6. Ponga el equipo mirando hacia arriba.

**PRECAUCIÓN**

Antes de arrancar el equipo, limpie el hielo que pueda haber en las mangueras, pistola y varilla de rociar.

Otro método para reducir riesgos de daños por congelamiento es purgar su máquina de la manera siguiente:

1. Detenga el lavador de presión y desprenda las mangueras de suministro y de alta presión. Apriete el gatillo de la pistola de descarga y purgue todo el agua de la varilla y de la manguera.
2. Arranque de nuevo el lavador de presión y déjelo andar brevemente (por 5 segundos) hasta que ya no salga agua de la salida de alta presión.

ALMACENAMIENTO DEL MOTOR

Cuando no se hace funcionar el lavador o se tiene guardado por más de un mes siga las siguientes instrucciones:

1. Corrija el nivel de aceite agregándole hasta el nivel máximo.
2. Vacíe de gasolina el tanque de combustible, la línea de combustible, la válvula de combustible y el carburador.
3. Vierta una cucharadita de aceite de motor a través del orificio de la bujía. Luego jale el arrancador lentamente hasta que sienta que ha aumentado la presión que le indica calque el pistón está en su carrera de compresión y déje lo en esa posición. Esto cierra las válvulas de admisión y escape para prevenir que el interior del cilindro se oxide.
4. Cubra el lavador y guárdelo en un lugar seco, limpio, bien ventilado y lejos del fuego o chispas.

NOTA: Recomendamos que siempre utilice un estabilizador para combustible. Un estabilizador de combustible minimizará la formulación de depósitos de goma de combustible durante el almacenamiento. El estabilizador de combustible puede agregarse a la gasolina en el tanque de combustible o junto con la gasolina en un contenedor de almacenamiento.
pro-forceproducts.com

GARANTÍA LIMITADA

Cobertura de la garantía: MAT Industries, LLC (la Compañía) garantiza al cliente minorista original en América del Norte, que reparará o reemplazará, sin costo alguno, cualesquiera partes que la Compañía o cualquiera de sus representantes de servicio autorizados encuentren defectuosas en sus materiales o en su fabricación. Esta garantía cubre el costo de partes de reemplazo y mano de obra por defectos en materiales o en fabricación.

No están cubiertos:

- Costos de transporte por el envío del producto a la Compañía o a sus representantes de servicio autorizados por servicio de garantías, o por el reenvío de los productos reparados o de reemplazo al consumidor; estos cargos los deberá cubrir el cliente.
- El motor puede estar cubierto exclusivamente por una garantía separada, emitida por el fabricante del motor, como se estableció en el Manual del motor (si se incluye).
- Daños ocasionados por el mal uso o por un accidente, y los efectos de la corrosión, la erosión, el desgaste y el uso normales.
- La garantía se anulará si el cliente no cumple con el mantenimiento y no opera el producto según las instrucciones y recomendaciones de la compañía, establecidas en el manual del propietario.
- La garantía es válida únicamente si el producto se utiliza exclusivamente para aplicaciones del consumidor y no es válida si el producto se utiliza para aplicaciones comerciales o de negocios o como equipo de renta.
- La Compañía no pagará por reparaciones ni ajustes al producto, ni costos ni mano de obra, realizado sin la Compañía's la autorización previa.

Período de garantía: Un (1) año a partir de la fecha de compra. Para obtener el servicio de garantía, el cliente debe proporcionar el comprobante de compra fechado y debe notificar a la Compañía dentro del período de garantía.

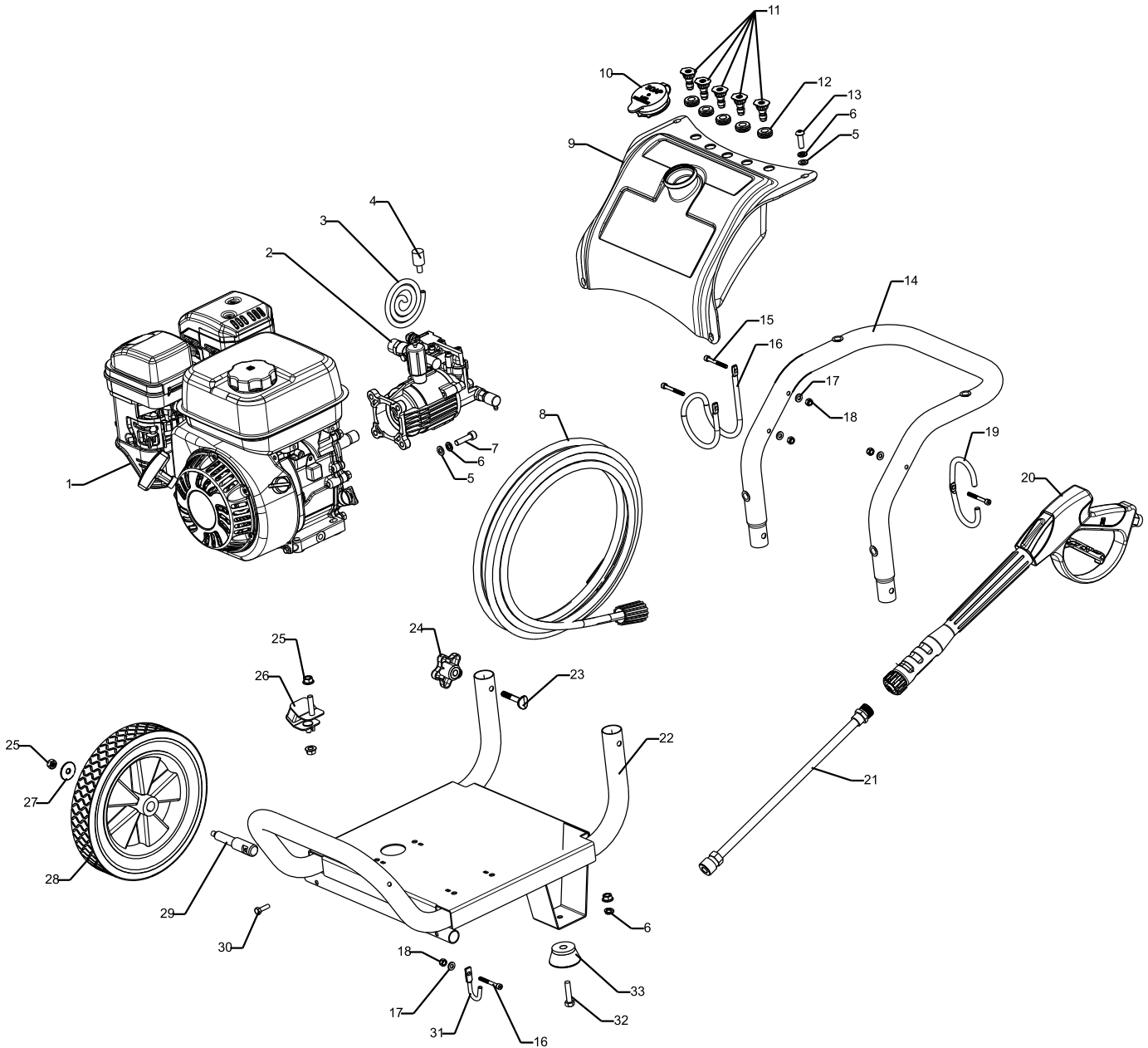
Para el servicio de garantía: Llame sin costo al número 888-895-4549 o escriba a MAT Industries, LLC, Wildlife Way, Long Grove, IL 60047 EE. UU.

EXCLUSIONES Y LIMITACIONES: LA COMPAÑÍA NO OTORGA NINGUNA OTRA GARANTÍA DE NINGÚN TIPO, EXPLÍCITA O IMPLÍCITA. POR ESTE MEDIO SE RENUNCIA A LAS GARANTÍAS IMPLÍCITAS, INCLUYENDO GARANTÍAS DE COMERCIABILIDAD O DE ADAPTABILIDAD PARA UN PROPÓSITO PARTICULAR. EL SERVICIO DE GARANTÍA DESCRITO ANTERIORMENTE ES EL RECURSO EXCLUSIVO CUBIERO POR ESTA GARANTÍA; LA RESPONSABILIDAD CIVIL POR DAÑOS INCIDENTALES Y CONSECUENTES SE EXCLUYEN EN LA MEDIDA EN QUE LA LEY LO PERMITA.

Esta garantía le otorga derechos legales específicos y también puede ser objeto de otros derechos que varían de estado a estado. Algunos Estados no permiten la exención de responsabilidad de garantías implícitas o la exclusión o limitación de daños incidentales o consecuentes, de manera que las exenciones y exclusiones de responsabilidades pueden no ser aplicables a usted.

PROBLEMA	CAUSA POSIBLE	CORRECCION
El motor no arranca o se detiene durante la operación.	Cierre por bajo nivel de aceite.	Llene el motor de aceite.
	La llave del motor no se encuentra en posición de encendido a (“ON”). Combustible.	Coloque la llave en posición de (“ON”). Cargue combustible.
El motor está sobrecargado.	Boquilla parcialmente obstruida.	Limpe la boquilla.
	Demasiada presión.	Reduzca la presión usando el botón de ajuste de presión.
Hay fugas de agua o aceite desde la parte inferior de la bomba.	Una pequeña cantidad de fugas es normal.	Si ocurren fugas excesivas, llame al Departamento de servicio para los Clientes.
La presión aumenta cuando la pistola está cerroda.	La válvula auxiliar no funciona de manera efectiva.	Llame al Departamento de Servicio para los Clientes.
El motor funciona pero la bomba no logra producir la presión máxima o tiene presión irregular.	Grifo cerrado.	Abra el grifo.
	La unidad ha sido almacenada a temperaturas de congelamiento.	Descongele la unidad completamente, incluyendo la manguera, la pistola y la varilla.
	Suministro de agua inadecuado.	Suministre un mínimo de 4 gal. p.min. a 20 p/plug ² .
	La pantalla de entrada de agua está taponada.	Limpe la pantalla.
	Hay un nudo en la manguera de jardín.	Enderezca la manguera.
	Boquilla de varilla gastada o dañada.	Cambie la boquilla.
	Hay aire en la bomba.	Deje que la pressure washer funcione con la pistola abierta y sin la varilla hasta que libere unchorro parejo de agua.
	Las válvulas de succión o descarga está taponadas o gastadas.	Llame al Departamento de Servicio para los Clientes.
No hay entrada de productos química.	La válvula de auxiliar no funciona de manera efectiva.	Llame al Departamento de Servicio para los Clientes.
	El tubo de inyección no está bien insertado en la lanza de espuma.	Empuje con fuerza hacia adentro de la máquina.
	El tubo está agrietado o partido.	Cambie el tubo.
	Boquilla equivocada.	Cambie por boquilla de baja presión.
	El colador del tubo de inyección está taponado.	Limpe el colador.
	La boquilla está bloqueada.	Limpe la boquilla.
Hay jabón o cera secos en el inyector.	Disuelva haciendo pasar agua caliente a través del tubo de inyección.	
El gatillo no se mueve.	Está activado el dispositivo de seguridad.	Libere el dispositivo de seguridad.
Agua en el cárter.	Elevado grado de humedad.	Cambie el aceite con mayor frecuencia.
	Sellos gastados.	Llame al Departamento de Servicio para los Clientes.
Operación ruidosa.	Rodamientos gastados.	Llame al Departamento de Servicio para los Clientes.
	Aire mezclado en el agua.	Cambie las líneas de entrada en caso de restricciones y/o calibración inadecuada.
Operación agitada/palpitante con abrupta caída de nivel de presión.	Empaquetadura gastada	Llame al Departamento de Servicio para los Clientes.
	Restricción de entrada.	Revise el sistema para ver si hay obstrucciones. fugas de aire y si los accesorios de entrada tienen el tamaño que corresponde a la bomba.
	Descargador	Verifique que el descargador funcione correctamente.
	Aire mezclado con agua.	Verifique que no haya restricciones en las líneas de entrada y/o que tengan la calibración adecuada.
Elevada temperatura en el cárter.	Grado de aceite equivocado.	Use el aceite que se recomienda.
	Inadecuada cantidad de aceite en el cárter.	Corrija el nivel de aceite a la cantidad corrects.

PARTS DRAWING / SCHEMA DES PIÈCES / DIAGRAMA DE PIEZAS



PARTS LIST / LISTE DES PIÈCES / LISTA DE PIEZAS

REF NO.	PART NO.	DESCRIPTION	DESCRIPTION	DESCRIPCION	QTY
1	Note A Remarque A Nota A	Assembly, Engine 212cc Rato, R210	Assemblage, Moteur 212cc Rato, R210	Ensamble, Motor 212cc Rato, R210	1
2	E104755	Assembly, Pump Honbase, Brass Head AXB28	Assemblage, Pompe Honbase, Tête en cuivre AXB28	Ensamble, Bomba Honbase, Cabeza de Latón AXB28	1
3	E104141	Hose, Chemical	Tuyau, produit chimique	Manguera, Químico	1
4	E104142	Filter, Chemical	Filtre, produit chimique	Filtro, Químico	1
5	Note B Remarque B Nota B	Washer, Flat M8 X 15mm OD	Rondelle, plate M8 X 15mm dia. ext.	Arandela, Plana M8 X 15mm DE	8
6	Note B Remarque B Nota B	Washer, Lock M8	Rondelle de blocage M8	Arandela, Seguridad M8	8
7	Note B Remarque B Nota B	Screw, SHC M8 X 1.25 X 20MM	Vis hexagonale à tête creuse M8 X 1,25 X 20MM	Tornillo, cabeza Allen M8 X 1.25 X 20MM	4

PARTS LIST / LISTE DES PIÈCES / LISTA DE PIEZAS

REF NO.	PART NO.	DESCRIPTION	DESCRIPTION	DESCRIPCION	QTY
8	E104816	Hose, Assembly, 1/4", 25ft, 20Mpa Rating	Tuyau, Assemblage, 1/4", 25ft, 20Mpa nominal	Manguera, Ensamble, 1/4", 25ft, Clasificación 20Mpa	1
9	E104839	Tank, Chemical	Réservoir, produit chimique	Tanque, Químico	1
10	E104575	Cap, Chemical Tank	Bouchon, réservoir de produit chimique	Tapa, Tanque de Químicos	1
11	E104817	Nozzles, 3.5 QC, 5 Pack with soap nozzle	Buses, 3,5 QC, emballage de 5 avec buse à savon	Boquillas, 3.5 QC, Paquete de 5 con boquilla de jabón	1
12	E104126	Grommet, Nozzle	Oeillet, buse	Ojal, Boquilla	5
13	Note B Remarque B Nota B	Screw, M8 X 1.25 X 25mm SBHCS	Vis, à tête ronde creuse M8 X 1,25 X 25mm	Tornillo, cabeza Allen redonda M8 X 1.25 X 25mm	4
14	E104055	Tube, Upper Arms	Tube, bras supérieurs	Tubo, Brazos Superiores	1
15	Note B Remarque B Nota B	Screw, SHCS, M6 X 1.0 X 45mm	Vis hexagonale à tête creuse M6 X 1,0 X 45mm	Tornillo, cabeza Allen plana M6 X 1.0 X 45mm	4
16	E104043	Hook, Hose (PM Red)	Crochet, tuyau (rouge PM)	Gancho, Manguera (Rojo PM)	1
17	Note B Remarque B Nota B	Washer, Lock M6	Rondelle de blocage M6	Arandela, Seguridad M6	4
18	Note B Remarque B Nota B	Nut, M6 X 1.0 Nyloc	Écrou, nyloc M6 X 1,0	Tuerca, Nyloc M6 X 1.0	4
19	E104042	Hook, Wand (PM Red)	Crochet, tube rallonge (rouge PM)	Gancho, Varilla (Rojo PM)	1
20	E104822	Gun, Pressure Washer, Ergonomic w Color Touch Points	Pistolet, nettoyeur à pression, ergonomique avec points de touche colorés	Pistola, Lavadora a Presión, Ergonomica con Puntos de Contacto a Color	1
21	E104102	Assy, wand & quick connect, 15.125 inch	Assemblage, tube rallonge et connexion rapide, 15,125 po	Ensamble, varilla y conexión rápida, 15.125 pulgadas	1
22	E104053	Weldment, Base	Ensemble soudé, base	Soldadura, Base	1
23	E104063	Bolt, Saddle M8x45	Boulon, selle M8x45	Perno, Asiento M8x45	2
24	E104064	Knob, Five Prong	Bouton, cinq pattes	Perilla, Cinco Puntas	2
25	Note B Remarque B Nota B	Nut, M8x1.25 Nyloc	Écrou, nyloc M8x1,25	Tuerca, Nyloc M8x1.25	12
26	E104099	Isolator, Engine	Isolateur, moteur	Aislador, Motor	4
27	Note B Remarque B Nota B	Washer, Flat M8x28mm-mODx2mm Thk Finish (bright Zinc)	Rondelle plate M8x28mm dia ext x 2mm épais fini (zinc brillant)	Arandela, Plana M8x28mmDEx2mm Acabado grueso (zinc brillante)	2
28	E104807	Wheel, 10" Dia X 1.75" Wide, Solid Rubber	Roue, 10" Dia X 1,75" large, caoutchouc plein	Rueda, 10" Diámetro X 1.75" Ancho, Goma Sólida	2
29	E104045	Spud, Wheel (Short)	Support, roue (court)	Eje, Rueda (Corto)	2
30	Note B Remarque B Nota B	Screw, HFH M6 X 1.0 X 20MM (Yellow Zinc Dich Plate)	Vis, HFH M6 X 1,0 X 20MM (zinc jaune plaqué Dich)	Tornillo, cabeza hexagonal M6 X 1.0 X 20MM (Placa de Zinc Amarilla)	2
31	E104044	Hook, Wand Tip (PM Red)	Crochet, bout du tube rallonge (rouge PM)	Gancho, Punta de la Varilla (Rojo PM)	1
32	Note B Remarque B Nota B	Screw, HH M8 x 1.25 x 30 MM	Vis à tête hexagonale M8 x 1,25 x 30 MM	Tornillo, cabeza hexagonal M8 x 1.25 x 30 MM	2
33	E104808	Isolators, Pressure Washer Frame	Isolateurs, cadre du nettoyeur à pression	Aisladores, Marco de la Lavadora a Presión	2

Note A: Consult the accompanying engine manual or contact our service department for assistance.

Note B: These are standard parts available at your local hardware store.

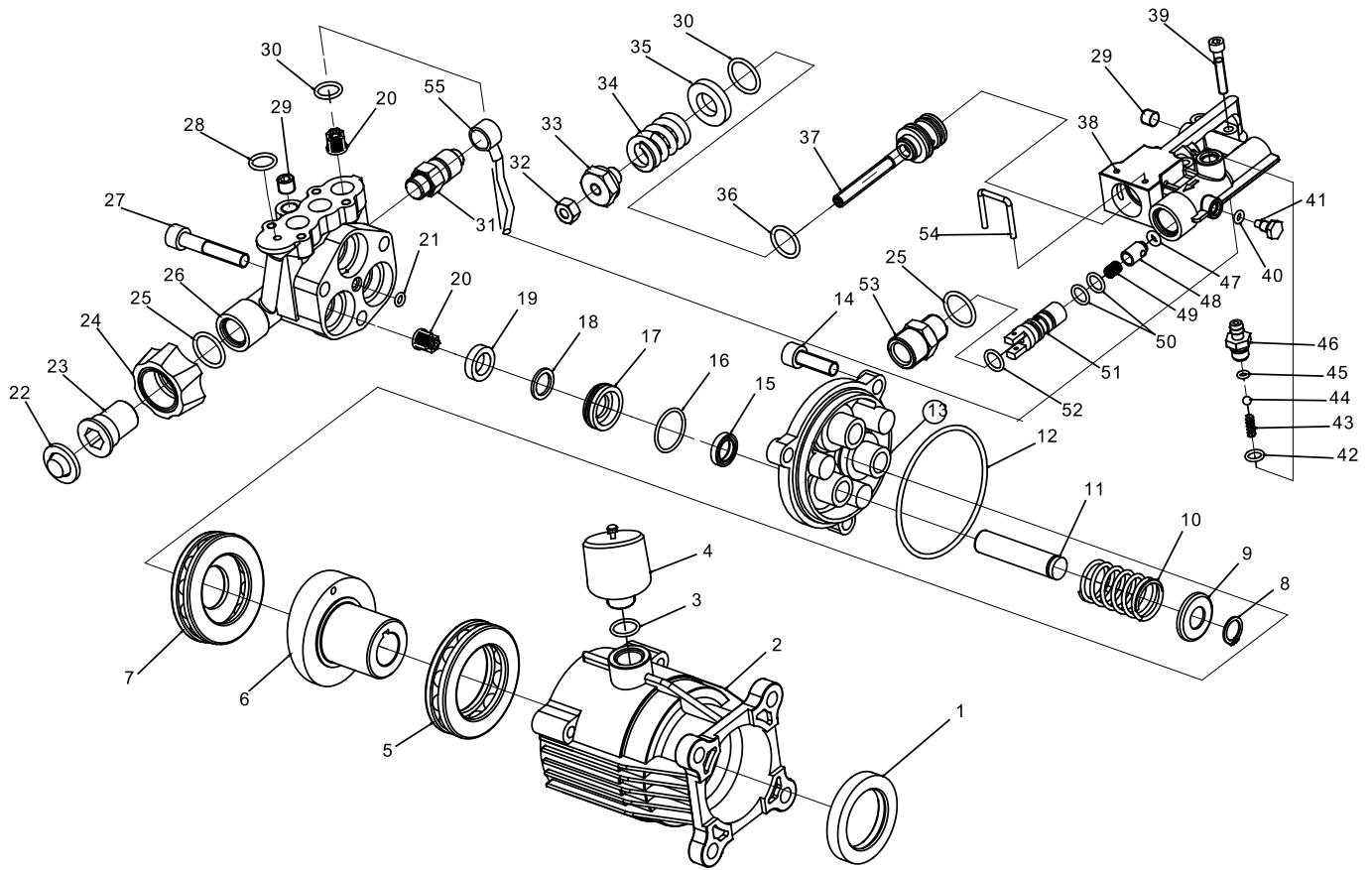
Remarque A: Consulter le manuel du moteur inclus ou contacter notre service après-vente pour toute assistance.

Remarque B: Ces pièces sont des pièces standard disponibles dans les quincailleries.

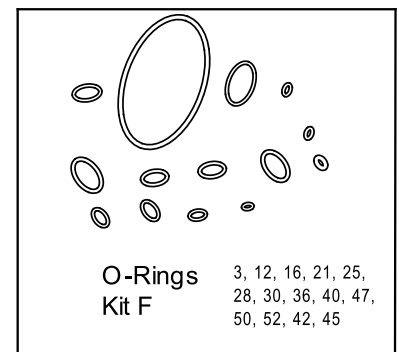
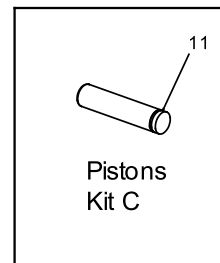
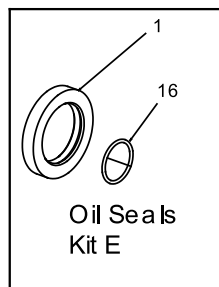
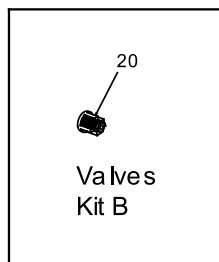
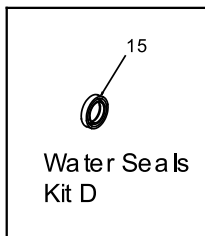
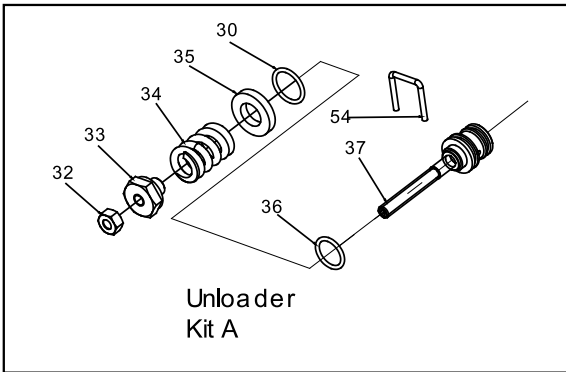
Nota A: Consulte el manual adjunto del motor o comuníquese con nuestro departamento de servicio para recibir asistencia al respecto.

Nota B: Estas son piezas estándar disponibles en su ferretería local.

PUMP / POMPE / BOMBA
PARTS DRAWING / SCHEMA DES PIÈCES / DIAGRAMA DE PIEZAS



Repair Kits



PUMP / POMPE / BOMBA
PARTS LIST / LISTE DES PIÈCES / LISTA DE PIEZAS

REF	PART NO.	DESCRIPTION	DESCRIPTION	DESCRIPCION	QTY
	E104755	Pump	Pompe	Bomba	
A		Unloader Kit	Jeu de Régulateur de pression	Juego de Descargador	
B		Valves Kit	Jeu de Soupapes	Juego de Válvulas	
C		Pistons Kit	Jeu de Pistons	Juego de Pistóns	
D		Water Seals Kit	Jeu de Joints l'eau	Juego de Sello del agua	
E		Oil Seals Kit	Jeu de Joints l'eau	Juego de Sello del agua	
F		O-Rings Kit	Jeu de Joints torique	Juego de Anillo tórico	
1		Seal	Joint	Sello	1
2		Housing	Corps	Compartimiento	1
3		O-Ring (18x2.4)	Joint torique	Anillo tórico	1
4		Breather	Reniflard	Respiro	1
5		Bearing	Roulement	Cojinete	1
6		Hollow shaft	Arbre	Túnel	1
7		Bearing	Roulement	Cojinete	1
8		Circlip	Anneau de retenue	Anillo retenedor	3
9		Ring	Segment	Anillo	3
10		Spring	Ressort	Resorte	3
11		Piston	Piston	Pistón	3
12		O-Ring (73 x 2.65)	Joint torique	Anillo tórico	1
13		Housing	Corps	Compartimiento	1
14		Bolt M8 x 25 8.8	Boulon M8 x 25 8.8	Perno M8 x 25 8.8	3
15		Seal	Joint	Sello	3
16		O-Ring (22.4 x 1.8)	Joint torique	Anillo tórico	3
17		Bushing	Bague	Buje	3
18		Bushing	Bague	Buje	3
19		Seal (13 x 20 x 5)	Joint	Sello	3
20		Valve	Soupape	Válvula	6
21		O-Ring (4.5 x 1.8)	Joint torique	Anillo tórico	1
22		Filter	Filtre	Filtro	1
23		Suction fitting	Raccord de succion	Adaptador de succión	1
24		Suction fitting 3/4"	Raccord de succion	Adaptador de succión	1
25		O-Ring (14 x 1.8)	Joint torique	Anillo tórico	2
26		Pump head	Tête de pompe	Cabeza de bomba	1
27		Head bolt M8 x 45 10.9	Boulon M8 x 45 10.9	Perno M8 x 45 10.9	3
28		O-Ring (12 x 2)	Joint torique	Anillo tórico	1
29		Plug	Bouchon	Tapón	2
30		O-Ring (14 x 2)	Joint torique	Anillo tórico	4
31		Thermal relief valve	Thermal vestige tuyau	Térmico reliquia válvula	1
32		Nut M6	Écrou	Tuerca	1
33		Nut	Écrou	Tuerca	1
34		Spring	Ressort	Resorte	1
35		Plate spring	Plaque	Placa	1
36		O-Ring (12.42 x 1.78)	Joint torique	Anillo tórico	1
37		Unloader	Régulateur de pression	Descargador	1
38		Housing	Corps	Compartimiento	1
39		Bolt M5 x 30 10.9	Boulon M5 x 30 12.9	Perno M5 x 30 12.9	5
40		O-Ring (4 x 2)	Joint torique	Anillo tórico	1
41		Plug	Bouchon	Tapón	1
42		O-Ring (7.65 x 1.78)	Joint torique	Anillo tórico	1
43		Spring	Ressort	Resorte	1
44		Ball	Balle	Pelota	1
45		O-Ring (3.68 x 1.78)	Joint torique	Anillo tórico	1
46		Hose nipple	Manchon fileté	Niple	1
47		O-Ring (4 x 2.65)	Joint torique	Anillo tórico	1
48		Jet	Jet	Jet	1
49		Spring	Ressort	Resorte	1
50		O-Ring (9 x 1.8)	Joint torique	Anillo tórico	1
51		Detergent injector	Injecteur	Inyector	1
52		O-Ring (10 x 1.8)	Joint torique	Anillo tórico	1
53		Outlet fitting	Raccord de sortie	Adaptador de salida	1
54		Clip	Clip	Clip	1
55		Hose	Tuyau	Manguera	1

MAT Industries LLC

**6700 Wildlife Way
Long Grove, IL 60047**

1-888-895-4549

© 2011 MAT Industries, LLC. All Rights Reserved. Tous droits réservés. Reservados todos los derechos.
ProForce ® is a registered trademark of / sont des marques déposées de / son marcascomerciales registradas de /
MAT Industries, LLC, Long Grove, IL 60047.
Product style and configuration may vary. La configuration et le style du produit peuvent varier. El estilo y la
configuración del producto pueden variar.