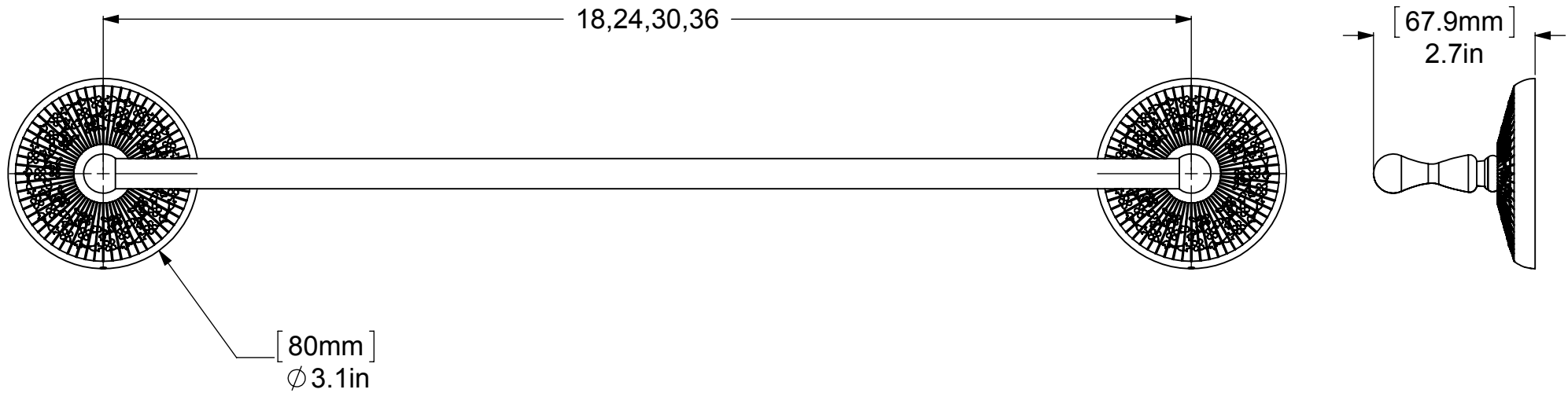
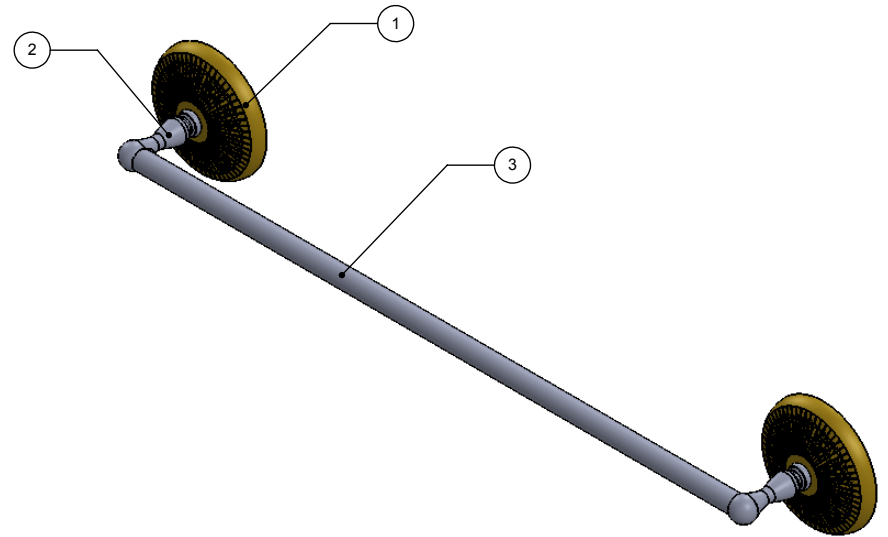


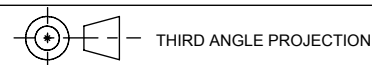
ITEM NO.	P/N	Description	QTY.
1	BPMC	BACKPLATE	2
2	PSTDS-12	POST	2
3	TU12-18,24,30,36	TUBE	1



UNLESS OTHERWISE STATED

.X	$\pm .3\text{mm}$
.XX	$\pm .15\text{mm}$
.XXX	$\pm .008\text{mm}$

COPYRIGHT © Allied Brass 2016



DRAWN	7/17/2016	I.M
CHECKED	7/17/2016	P.D
APPROVED	7/17/2016	R.A

MATERIAL:	BRASS
DESCRIPTION:	TOWEL BAR



FINISH	TBD
QUANTITY	TBD
DRAWING No.	MC-31
REV	0
SCALE	1:2.5
SHEET: 01	A4