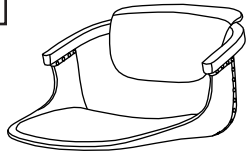


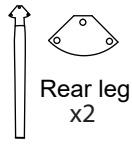
Part # CH-ORACLE XXXX

19-0814

**PARTS**

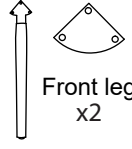


A



Rear leg  
x2

B



Front leg  
x2

C



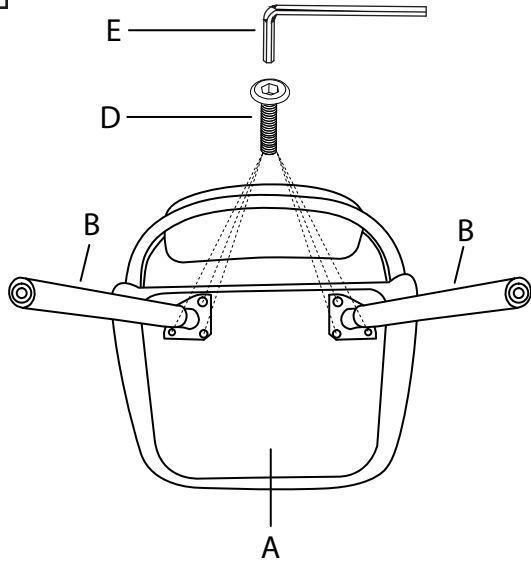
x12  
(M6x20mm)

D

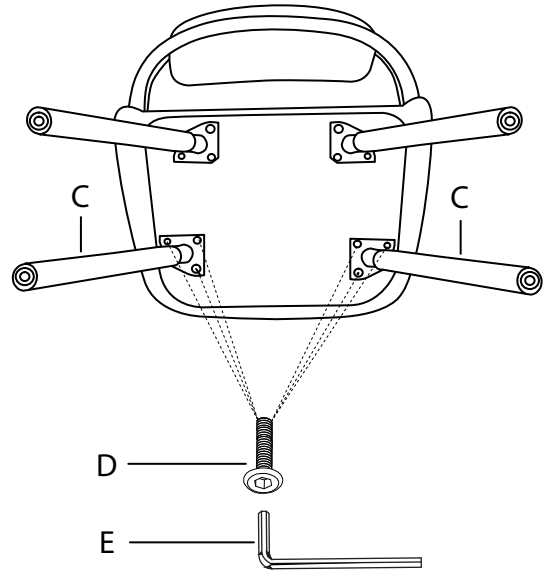


E

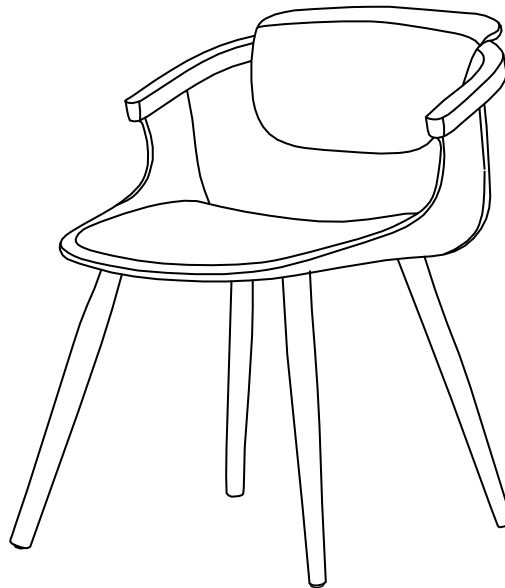
**1**



**2**



**3**



Do not over tighten.  
 Do not use power tools to assemble.