



Model # 2004511, 2004535,
2004542, 2004559,
2004528, 2004566

CABANA

Owner's Manual & Assembly Instructions

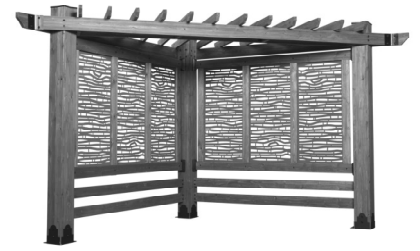
MANUFACTURED BY:
Backyard Discovery
3305 Airport Drive
Pittsburg, KS 66762
800-856-4445



2004511 FIRESIDE CABANA
(BAMBOO - CAST SLATE)



2004535 FIRESIDE CABANA
(BAMBOO - SPECTRUM INDIGO)



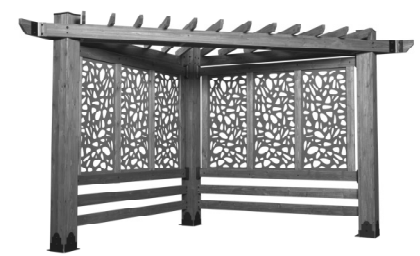
2004566 HAVEN CABANA PERGOLA
(BAMBOO PATTERN)



2004559 FIRESIDE CABANA
(PEBBLE - CAST SLATE)



2004542 FIRESIDE CABANA
(PEBBLE - SPECTRUM INDIGO)



2004528 HAVEN CABANA PERGOLA
(PEBBLE PATTERN)



**INSTALLATION
SERVICES
AVAILABLE!***

Need a helping hand?

Let our team of professionals handle the installation for you!

GOCONFIGURE
888-888-5424

*Installation services are only available
to U.S. customers.

average 2 person assembly time



TO



assembly time may vary based on skill level

Before you begin

**FOR QUICK &
EASY ASSEMBLY**

FIND 3D INSTRUCTIONS
FOR THIS PRODUCT IN

BILT.

DOWNLOAD THE FREE APP



For the most up to date assembly manual,
to register your set, or to order replacement parts please visit

www.backyarddiscovery.com

**SAVE THIS ASSEMBLY MANUAL FOR FUTURE REFERENCE IN THE EVENT THAT
YOU NEED TO ORDER REPLACEMENT PARTS.**

Para obtener instrucciones en español, visite www.backyarddiscovery.com



GOCONFIGURE
Putting it all together for you

INSTALLATION SERVICES AVAILABLE!*

Need a helping hand?

Let our team of professionals handle the installation for you!

GOCONFIGURE
888-888-5424

**Installation services are only available
to U.S. customers.*

With Go Configure, we bring you 18 years of experience right to your doorstep. We service a wide array of indoor and outdoor recreation products that most consumers don't have the time or ability to deliver & install themselves.

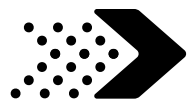
We do the heavy lifting, so you don't have to!

- 18+ Years of Experience Servicing Big Box Retailers and Direct Consumers
- Highly Skilled, Specialized, Courteous, Professional Service Technicians
- Over 140,000 Installations Annually
- White Glove Service

- Satisfaction Guarantee
- Flexible Appointments, including weekends
- Coverage across the nation

Visit www.goconfigure.com for more info!

**Installation services are only available to U.S. customers.*



The store where you made your purchase does not stock parts for this item. If you have assembly questions or you are missing or have damaged parts, please call

1-800-856-4445

you can also visit www.backyarddiscovery.com
or e-mail customerservice@backyarddiscovery.com

Please have the following information ready when you make your call:

- Model Number of the product located on the front of the assembly manual
 - The item description and number from the parts list from the manual that was included in your box
-
- Read entire assembly manual, paying special attention to the important tips and safety information.
 - To ensure there are no missing pieces do a complete inventory by first separating and identifying all parts.
 - Make sure to check packing material for small parts that may have fallen out during shipment.
 - Structures are not intended for public use. The Company does not warranty any of its residential structures subjected to commercial use.
 - This manual contains helpful information concerning assembly preparation, installation procedure and required maintenance.
 - Always keep safety in mind as your structure is being built.
 - Keep these instructions for future reference.



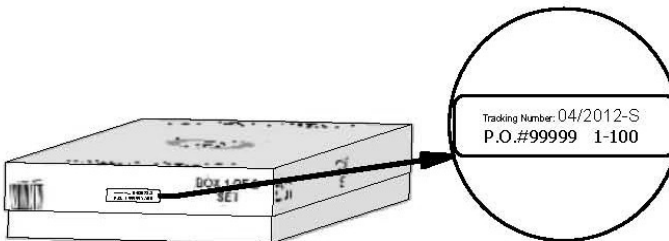
Please read entire booklet completely before beginning the assembly process

Please retain these instructions and your receipt for future reference. Keep them in a safe place where you can refer to them as needed. In order to provide you with the most efficient service, it is required that you provide us with the part numbers when ordering parts.

For Your Records:

Please take time and fill out the information below. This information will be needed for warranty issues.

Where Purchased: _____
 Date of Purchase: _____
 Installation Date: _____
 Installed by: _____
 Tracking Number: _____



Tracking Number Reference Label

Tracking ID number on the carton and on the bottom of the vertical ID plate are included for tracking purposes associated with warranty claims.

This Limited Warranty by Backyard Discovery applies to products manufactured under the Backyard Discovery brand or its other brands including but not limited to Backyard Botanical, Adventure Playsets, and Leisure Time Products.

Backyard Discovery warrants that this product is free from defect in materials and workmanship for a period of one (1) year from the original date of purchase. This one (1) year warranty covers all parts including wood, hardware, and accessories. All wood carries a five (5) year pro-rated warranty against rot and decay. Refer to the schedule below for charges associated with replacement of parts under this Limited Warranty. In addition, Backyard Discovery will replace any parts within the first 30 days from date of purchase found to be missing from or damaged in the original packaging.

This warranty applies to the original owner and registrant and is non-transferable. Regular maintenance is required to assure maximum life and performance of this product. Failure by the owner to maintain the product according to the maintenance requirements may void this warranty. Maintenance guidelines are provided in the Owner's Manual.

This Limited Warranty does not cover:

- Installation
- Labor for any inspection
- Labor for replacement of any defective item(s)
- Incidental or consequential damages
- Cosmetic defects which do not affect performance or integrity of a part or the entire product
- Vandalism, improper use, failure due to loading or use beyond the capacities stated in the applicable Assembly Manual.
- Acts of nature including but not limited to wind, storms, hail, floods, excessive water exposure
- Improper installation including but not limited to installation on uneven, unlevel, or soft ground
- Minor twisting, warping, checking, or any other natural occurring properties of wood that do not affect performance or integrity

Backyard Discovery products have been designed for safety and quality. Any modifications made to the original product could damage the structural integrity of the unit leading to failure and possible injury. Modification voids any and all warranties and Backyard Discovery assumes no liability for any modified products or consequences resulting from failure of a modified product.

This product is warranted for RESIDENTIAL USE ONLY. Under no circumstance should a Backyard Discovery product be used in public settings. Such use may lead to product failure and potential injury. Any and all public use will void this warranty. Backyard Discovery disclaims all other representations and warranties of any kind, express or implied.

Pro Rated Part Replacement Schedule

<u>Product Age</u>	<u>Customer Pays</u>
All Parts	
0-30 days from date of purchase	\$0 and free shipping
31 days to 1 year	\$0 + S&H
Wood Rot and Decay Only	
1 year	\$0 and free shipping
2 year	20% + S&H
3 year	40% + S&H
4 year	60% + S&H
5 year	80% + S&H
Over 5 years	100% + S&H



WARNING

IT IS IMPORTANT TO CHECK AND TIGHTEN ALL HARDWARE AT THE BEGINNING AND DURING THE SEASON AS THEY MAY LOOSEN DUE TO WOOD EXPANSION AND CONTRACTION.

- **DO NOT climb or walk on the roof for any reason**
- **Requires two or more people to assemble safely**
- **Check for underground utilities before digging or driving stakes into the ground.**
- **Check carefully for overhead lines and ensure there is at least 6ft (2m) clearance from any overhead electrical wires.**
- **Permanent structures may require a building permit. As the purchaser and or installer of this product you are advised to consult local planning, zoning and building inspection departments for guidance on applicable building codes and/or zoning requirements.**
- Wood is NOT flame retardant and will burn. Grills, fire pits and chimineas are a fire hazard if place too close to your structure.
- Wear gloves to avoid injury during installation.
- During installation, follow all safety warnings provided with your tools and use safety glasses.
- Check all nuts and bolts twice monthly during the usage season and tighten as required.(But not so tight that you crack the wood) It is particularly important that this procedure be followed at the beginning of each season.
- Oil all metallic moving parts monthly during the usage period.
- Check all coverings for bolts and sharp edges twice monthly during usage season to be certain they are in place. Replace when necessary. It is especially important to do this at the beginning of each new season.
- For rusted areas on metallic members such as hinges, brackets, etc. sand and repaint, using a non lead-based paint meeting the requirements of Title 16 CRF Part 1303.
- Inspect wood parts monthly. The grain of the wood sometimes will lift in the dry season causing splinters to appear. Light sanding may be necessary to maintain a safe environment. Treating your Product with protection (sealant) after sanding will help prevent severe checking/splitting and other weather damage.
- We have applied a waterborne translucent stain to your unit. This is done for color only. Once or twice a year, depending on your climate conditions, you must apply some type of protection (sealant) to the wood of your unit. Prior to the application of sealant, lightly sand any "rough" spots on your set. Please note this is a requirement of your warranty.

OWNERS SHALL BE RESPONSIBLE FOR MAINTAINING THE LEGIBILITY OF THE WARNING LABELS



Your Backyard Discovery structure is designed and constructed of quality materials. As with all outdoor products it will weather and wear. To maximize the enjoyment, safety and life of your structure it is important that you properly maintain it.

About Our Wood

Backyard Discovery uses 100% Cedar (C. Lanceolata) wood. Although we take great care in selecting the best quality lumber available, wood is still a product of nature and susceptible to weathering which can change the appearance of your set.

What causes weathering? Does it affect the strength of my product?

One of the main reasons for weathering is the effects of water (moisture); the moisture content of the wood at the surface is different than the interior of the wood. As the climate changes, moisture moves in or out of the wood, causing tension which can result in checking and or warping. You can expect the following due to weathering. These changes will not affect the strength of the product:

1. Checking is surface cracks in the wood along the grain. A post (4" x 4") will experience more checking than a board (1" x 4") because the surface and interior moisture content will vary more widely than in thinner wood.

2. Warping results from any distortion (twisting, cupping) from the original plane of the board and often happens from rapid wetting and drying of the wood.

3. Fading happens as a natural change in the wood color as it is exposed to sun-light and will turn grey over time.

How can I reduce the amount of weathering to wood product?

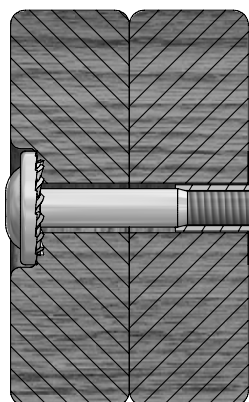
1. Your wood product is coated with a water-based stain. Sunlight will break down the coating, so we recommend applying a water repellent or stain on a yearly basis (see your local stain and paint supplier for a recommended product). You must apply some type of protection (sealant) to the wood of your product. **Please note this is a requirement of your warranty.** Most weathering is just the normal result of nature and will not affect safety. However if you are concerned that a part has experienced a severe weathering problem please call our customer service department for further assistance.

2. Inspect wood parts monthly. The grain of the wood sometimes will lift in the dry season causing splinters to appear. Light sanding may be necessary to maintain a safe environment. Treating your Product with protection (sealant) after sanding will help prevent severe checking/ splitting and other weather damage.



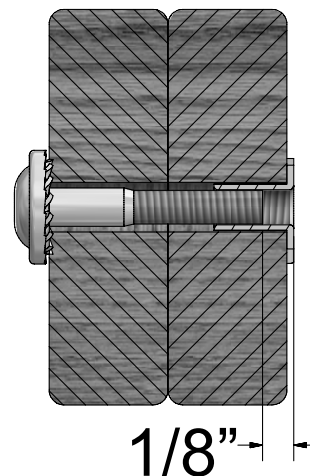
Protrusion Hazard

Incorrect



If you see exposed threads and your bolt protrudes beyond the T-Nut you may have over tightened the bolt. To eliminate this, remove the bolt and add washers to eliminate the problem.

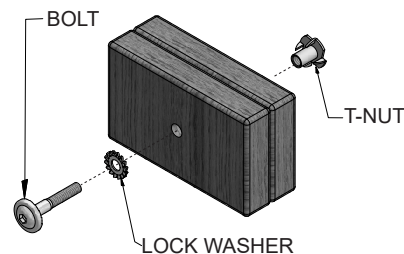
Correct



Proper Hardware Assembly

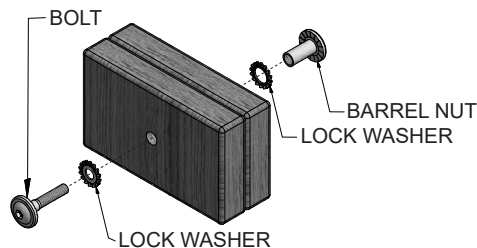
Bolt and T-Nut Assembly

Tap T-nut into the provided hole. Insert your bolt through the lock washer and insert into the provided hole opposite from the T-Nut. Turn clockwise to thread into T-nut. Do not completely tighten until instructed.



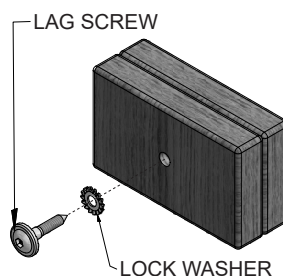
Bolt and Barrel Nut Assembly

Insert barrel nut through the lock washer and press the pair through the provided hole. Insert your bolt through the second lock washer and insert the pair into the provided hole opposite from the barrel nut. Turn clockwise to thread into the barrel nut. Do not completely tighten until instructed.



Lag Assembly

Normally there will be a pre-drilled pilot hole on assemblies that require a Lag Screw. If there is no pilot hole, line up the two boards as they are to be attached and use the factory drilled hole as a guide to drill another pilot hole into the adjoining board. This will keep the wood from splitting. Only a lock washer is required for steps with Lag Screws.

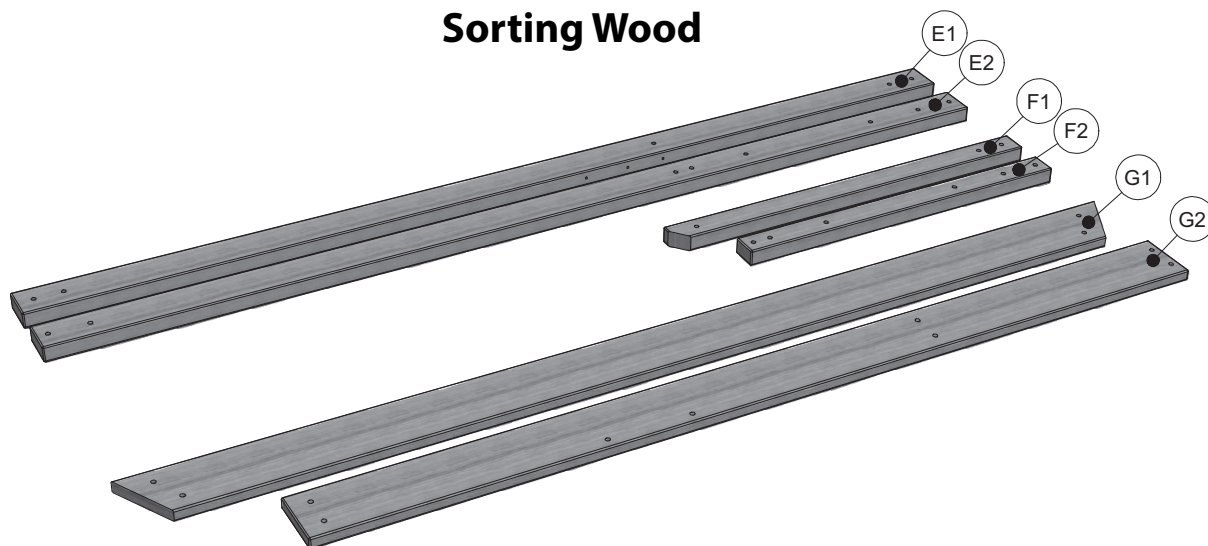




ASSEMBLY TIP:

Keep an eye out for these boxes which will contain helpful pictures and information making the assembly process as quick and painless as possible.

Sorting Wood



When removing the wood from the boxes we recommend arranging them by part number before you begin assembly. This will allow for faster assembly and easily identify any parts that may be missing or damaged.

Sorting Hardware

NUT BARREL
H100545



SCREW
H100695



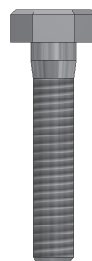
T-NUT
H100699



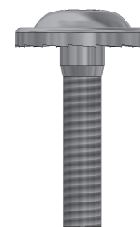
WASHER FLAT
H100706



BOLT HEX
H100716



BOLT
H100718



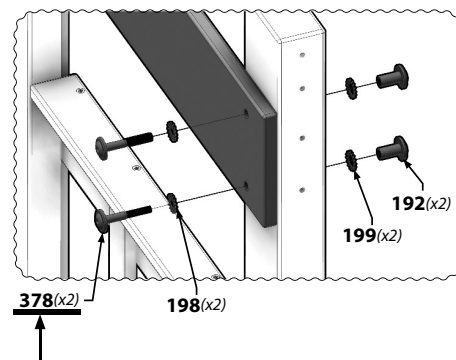
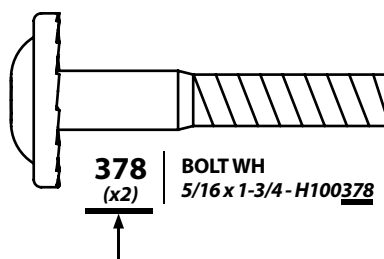
SCREW PWH
H100742

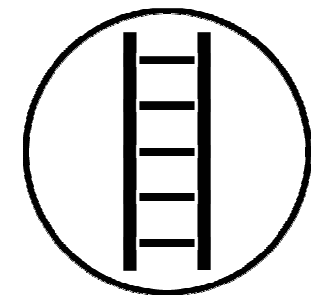
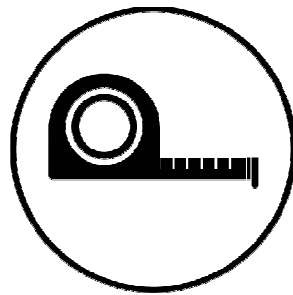
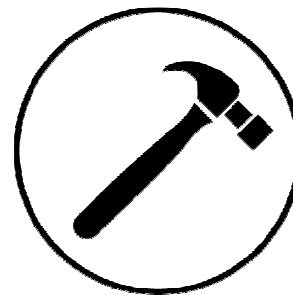
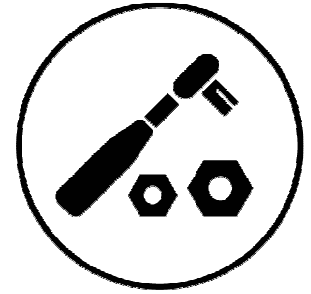
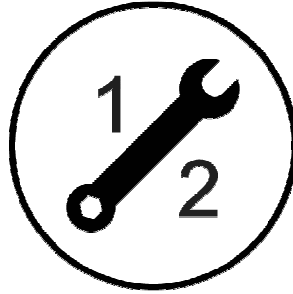
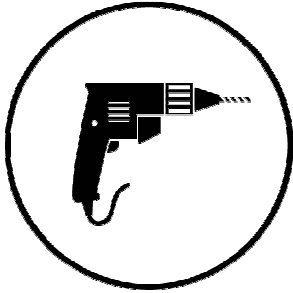
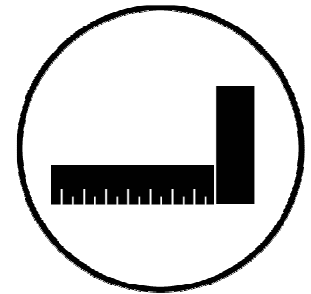
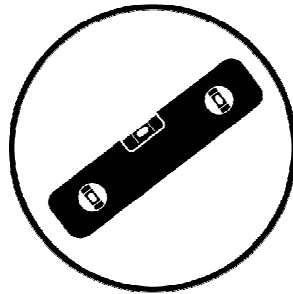
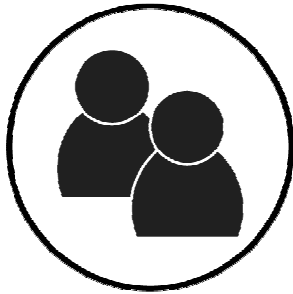


To help with assembly we recommend sorting your hardware bags with the seven digit alpha-numeric number printed on the bags or by hardware type (i.e. bolts, nuts, etc.). Organizing your hardware will make assembly easier.

Hardware Identification

Hardware bags are printed with a seven digit alpha-numeric part number. During assembly you only need to reference the last three digits of the part number as noted in each step. This will make finding the correct hardware easier.

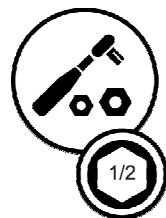




Icons and their uses you will see throughout this manual



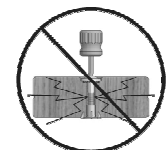
You will need to make sure that your assembly is square before tightening your bolts.



When you see this icon you will need a socket wrench. The icons below show the size of attachments needed for assembly 1/2.



For proper assembly you will need to ensure that your structure is level before proceeding to the next step.



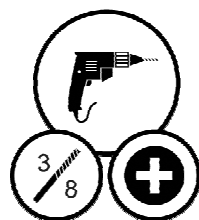
This icon warns you to not over tighten your bolts. This is to prevent structural damage and also splintering your wood.



Some steps in the assembly process will require an extra set of hands. Make sure you have a helper available.



This icon shows the size of an open ended wrench. Using the wrench as the fraction bar.



This icon will show you what drill attachments are needed. For this example you will need a Phillips head attachment and 3/8 socket.



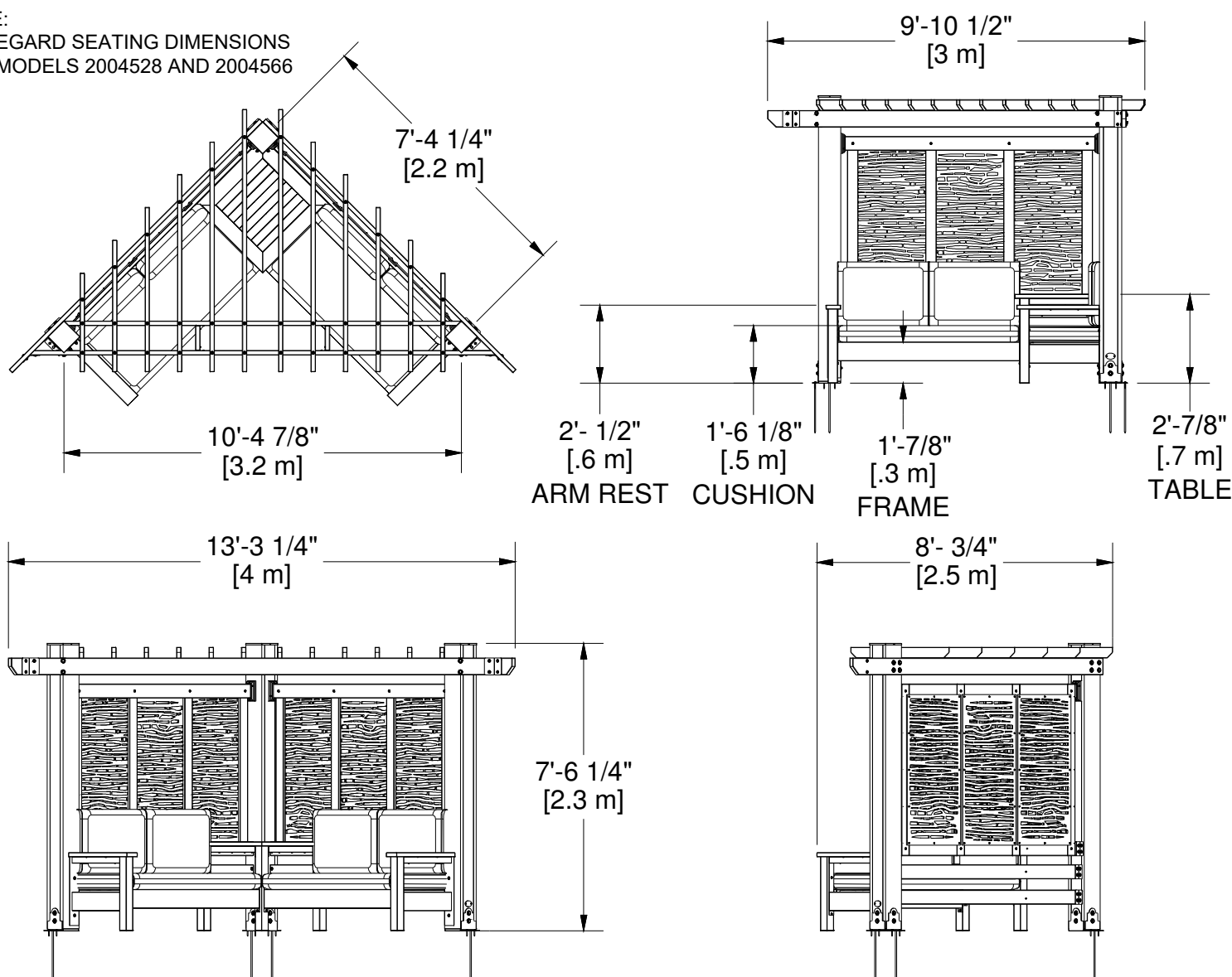
It is critically important that you start with square and level footings, concrete pad or deck to attach your structure

- Pay close attention to the items needed for each step. Make sure you are using the correct hardware for each step. Using incorrect hardware may result in improper assembly
- Remember to double check for underground utilities and overhead electrical lines

Post mounts are provided with your structure which allows you to permanently install your structure to a pre-existing or new wood or concrete surface.

- The hardware to attach the post mounts to the structure is included.
- The hardware to mount the structure permanently to a concrete surface is included.
- The hardware to mount the structure permanently to a wood deck is NOT included and will need to be purchased separately. You must ensure there is ample structural support under the deck before permanently attaching.

NOTE:
DISREGARD SEATING DIMENSIONS
FOR MODELS 2004528 AND 2004566





Wood Components (Not to Scale)



AN1 | LOWER SUPPORT - W4L13032
(1) | 1 3/8"x4 3/8"x81 1/4" (36x112x2065)



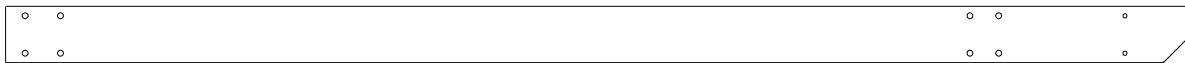
AN2 | TOP SUPPORT - W4L13069
(2) | 1 3/8"x4 3/8"x81 1/4" (36x112x2065)



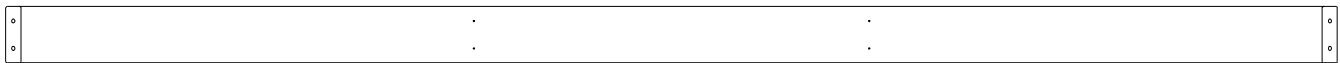
AN3 | LOWER SUPPORT - W4L13070
(1) | 1 3/8"x4 3/8"x81 1/4" (36x112x2065)



D1 | BEAM - W4L12941
(1) | 1 3/8"x5 1/4"x111 1/4" (36x134x2826)



D2 | BEAM - W4L12942
(1) | 1 3/8"x5 1/4"x111 1/4" (36x134x2826)



D3 | BEAM - W4L12943
(1) | 1 3/8"x5 1/4"x124 7/8" (36x134x3172)



D4 | BEAM - W4L12944
(1) | 1 3/8"x5 1/4"x146 1/4" (36x134x3714)



D6 | SUPPORT BRACE - W4L13037
(2) | 1 3/8"x5 1/4"x7 7/8" (36x134x199)



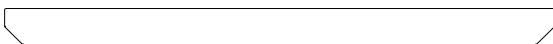
E1 | TOP JOIST - W4L12945
(2) | 1 3/8"x3 3/8"x82 1/4" (36x86x2091)



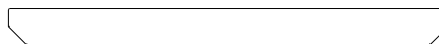
E2 | TOP JOIST - W4L12946
(2) | 1 3/8"x3 3/8"x72 1/8" (36x86x1832)



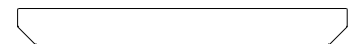
E3 | TOP JOIST - W4L12947
(2) | 1 3/8"x3 3/8"x61 7/8" (36x86x1572)



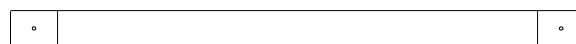
E4 | TOP JOIST - W4L12948
(2) | 1 3/8"x3 3/8"x51 5/8" (36x86x1310)



E5 | TOP JOIST - W4L12949
(2) | 1 3/8"x3 3/8"x41 1/4" (36x86x1048)



E6 | TOP JOIST - W4L13031
(2) | 1 3/8"x3 3/8"x31" (36x86x786)



H1 | LOWER SUPPORT - W4L13034
(8) | 1"x3 3/8"x53 7/8" (24x86x1368)



Wood Components (Not to Scale)



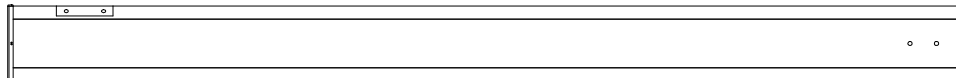
Q1 | LOWER SUPPORT - W4L12940
(4) | 1"x4 3/8"x81 1/4" (24x112x2065)



PT1 | POST - W2A02915
(1) | 7"x7"x89 1/2" (178x178x2274)



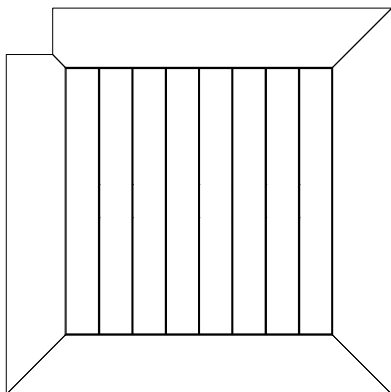
PT2 | POST - W2A02916
(1) | 7"x7"x89 1/2" (178x178x2274)



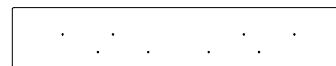
PT3 | POST - W2A02917
(1) | 7"x7"x89 1/2" (178x178x2274)



Wood Components (Not to Scale)



TT1 | TABLE TOP - W2A02918
(1) | 1 5/16"x30 1/8"x30 1/8" (34x765x765)



D7 | ARM REST - W4L13038
(2) | 1 3/8"x4 5/8"x26" (34x118x660)



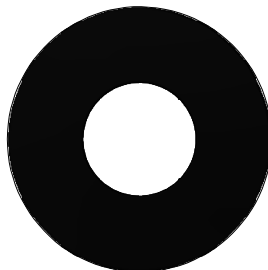
Hardware Components



H100756 | BOLT HEX BLK
(18) | 1/2x9 1/2



H100843 | LAG SCREW HEX BLK
(4) | 1/2x3



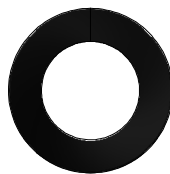
H100755 | WASHER FLAT BLK
(56) | 1/2



H100758 | LAG SCREW BLK
(18) | 1/2x2



H100482 | LAG SCREW WH BLK
(38) | 5/16x3 1/2



H100754 | WASHER SPLIT
(17) | 1/2



H100396 | BOLT WH BLK
(18) | 5/16x1/2



H100458 | LAG SCREW WH BLK
(4) | 5/16x2



H100468 | BOLT WH BLK
(4) | 5/16x1



H100471 | LAG SCREW WH BLK
(26) | 5/16x1 1/2



H100630 | WASHER FLAT BLK
(13) | 8x19



H100407 | BOLT WH BLK
(4) | 5/16x1 1/2



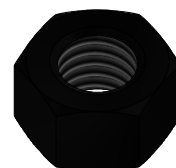
H100200 | SCREW PFH BLK
(17) | 8x1 1/2



H100382 | SCREW PFH BLK
(26) | 8x1 3/4



H100400 | WASHER LOCK EXT BLK
(17) | 8x15



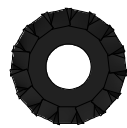
H100753 | NUT LOCK BLK
(18) | 1/2



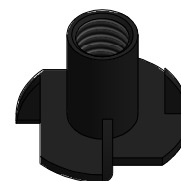
H100404 | NUT BARREL WH BLK
(18) | 1/4x5/8



H100202 | SCREW PWH BLK
(17) | 8x5/8



H100405 | WASHER LOCK EXT BLK
(17) | 6x15



H100379 | T-NUT BLK
(4) | 5/16



H100797 | SCREW PWH BLK
(76) | 8x1



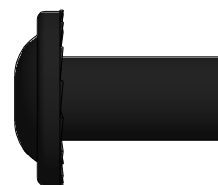
Hardware Components



H100120 | SCREW CONCRETE ANCHOR
(13) | 1/4x2



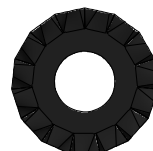
H100171 | BOLT WH BLK
(18) | 1/4x1



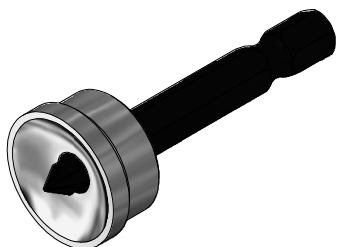
H100192 | NUT BARREL WH BLK
(22) | 5/16x7/8



H100199 | WASHER LOCK EXT BLK
(22) | 12x19



H100198 | WASHER LOCK EXT BLK
(44) | 8x19

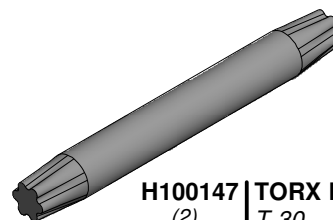


H100764 | SCREW SETTER
(1)

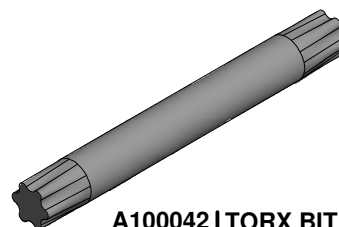


H100856 | DRILL BIT
(1) | 1/4" [6mm]

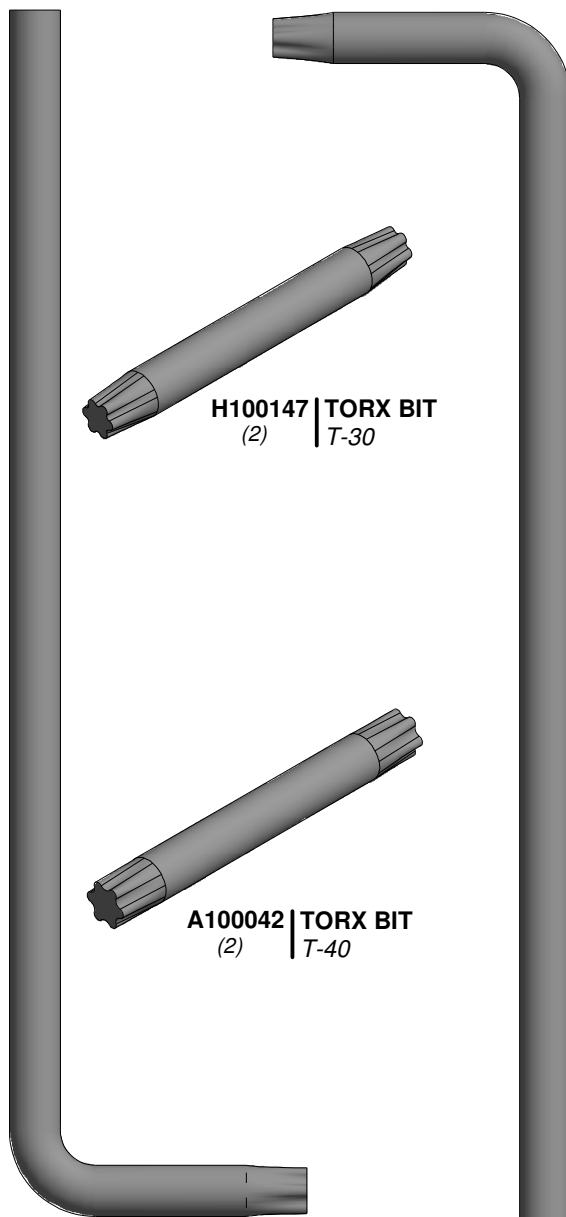
A100041 | TORX WRENCH
(2) | T-40



H100147 | TORX BIT
(2) | T-30



A100042 | TORX BIT
(2) | T-40



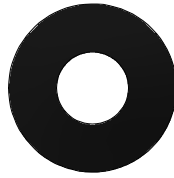
H100114 | TORX WRENCH
(2) | T-30



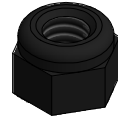
Hardware Components



H100712 | BOLT CARRIAGE BLK
(50) | 5/16x1 1/2



H100770 | WASHER FLAT
(52) | 5/16 BLK



H100479 | NUT LOCK BLK
(50) | 5/16



H100471 | LAG SCREW WH BLK
(11) | 5/16x1 1/2



H100171 | BOLT WH BLK
(38) | 1/4x1



H100460 | LAG SCREW WH BLK
(11) | 1/4x1



H100824 | SCREW PWH BLK
(11) | 8x3



H100392 | SCREW PWH BLK
(4) | 8x3/4



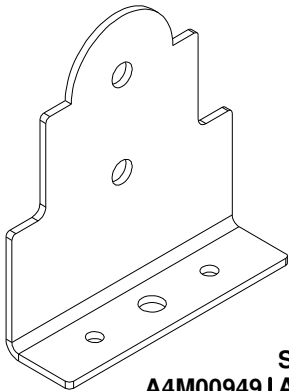
H100202 | SCREW PWH BLK
(4) | 8x5/8



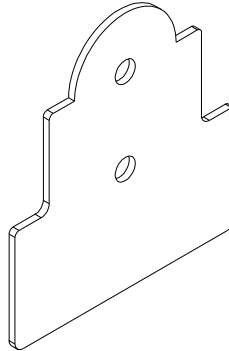
H100391 | SCREW PFH BLK
(7) | 8x2



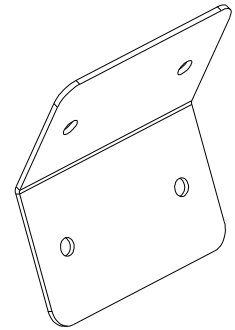
Accessory Components (Not to Scale)



A4M00949 | STEEL POST ANCHORING PLATE WITH FLANGE
(6)



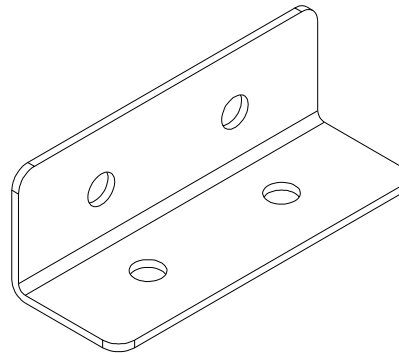
A4M00950 | STEEL POST PLATE
(2)



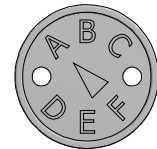
A4M01097 | BRACKET 135° BLK
(2)



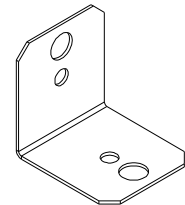
A4M01010 | LTP ID TAG (SMALL) WITHOUT AGES
(1)



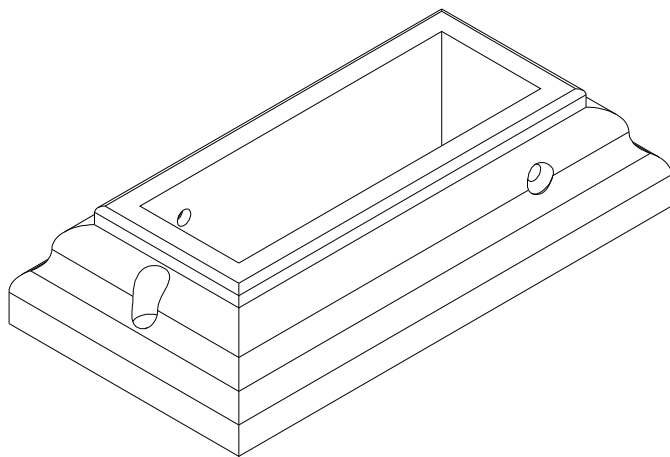
A4M01096 | L BRACKET 40x40x112 - BLK
(10)



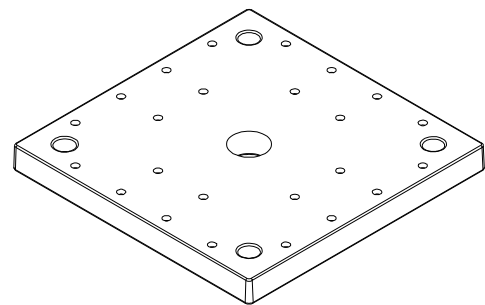
A100314 | "A" REVISION TAG
(1)



A4M00555 | 90° L-BRACKET - BLK
(8)



A6P00364 | MOUNTING BRACKET
(6)



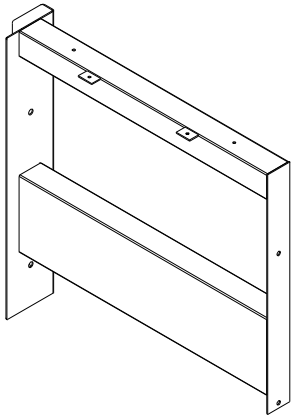
A6P00296 | 7x7 POST FOOT
(3)



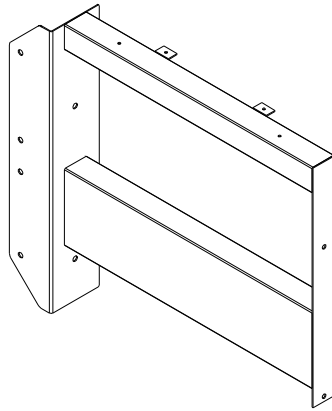
A4M00951 | GROUND STAKE 16 INCH
(6)



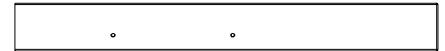
Accessory Components (Not to Scale)



A4M01060 (1) | FRAME END - LEFT



A4M01066 (1) | FRAME END - RIGHT



A4M01063 (1) | POST



A4M01069 (1) | POST



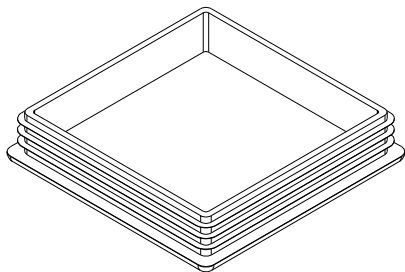
A4M01070 (1) | POST



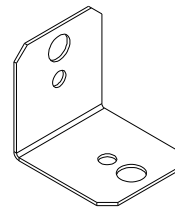
A4M01105 (1) | ARM POST - RIGHT



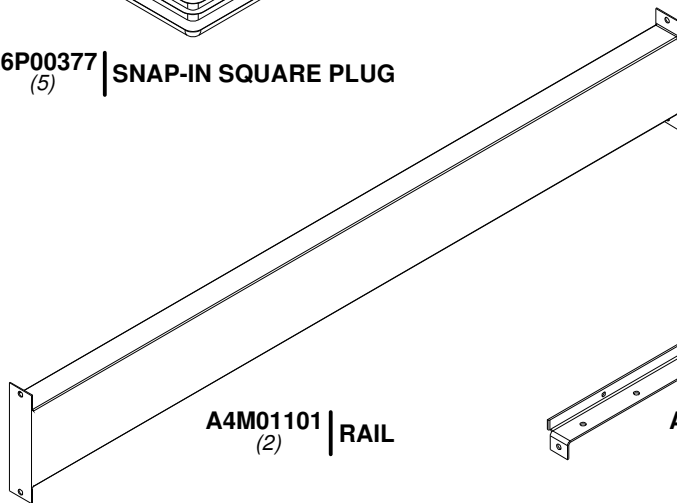
A4M01106 (1) | ARM POST - LEFT



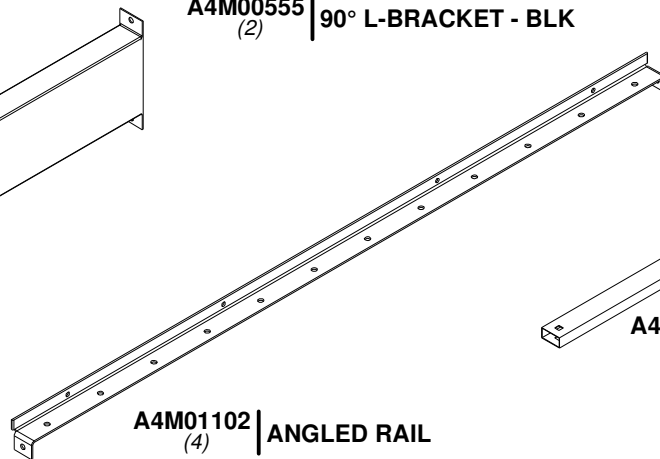
A6P00377 (5) | SNAP-IN SQUARE PLUG



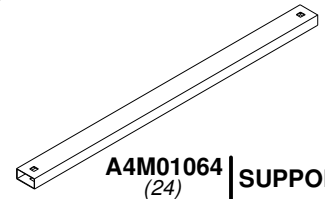
A4M00555 (2) | 90° L-BRACKET - BLK



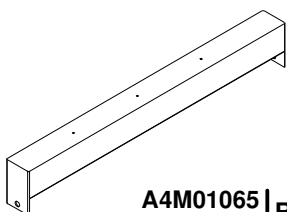
A4M01101 (2) | RAIL



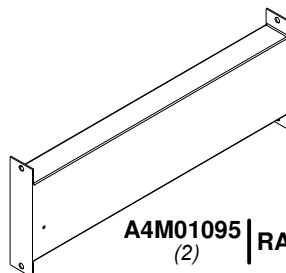
A4M01102 (4) | ANGLED RAIL



A4M01064 (24) | SUPPORT



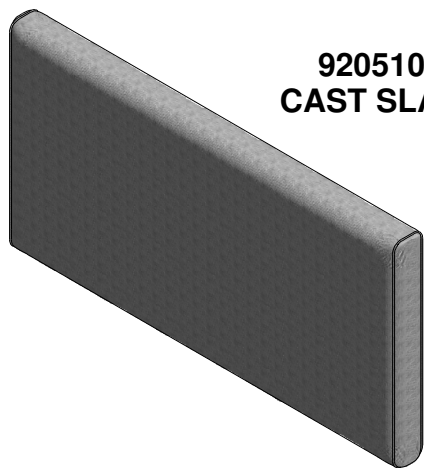
A4M01065 (2) | RAIL



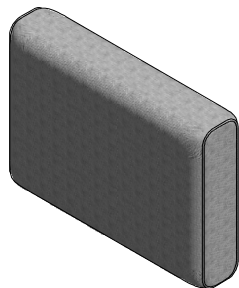
A4M01095 (2) | RAIL



Accessory Components (Not to Scale)



9205109
CAST SLATE



OR



9205116
SPECTRUM INDIGO



A6P00392
(2) | SEAT CUSHION

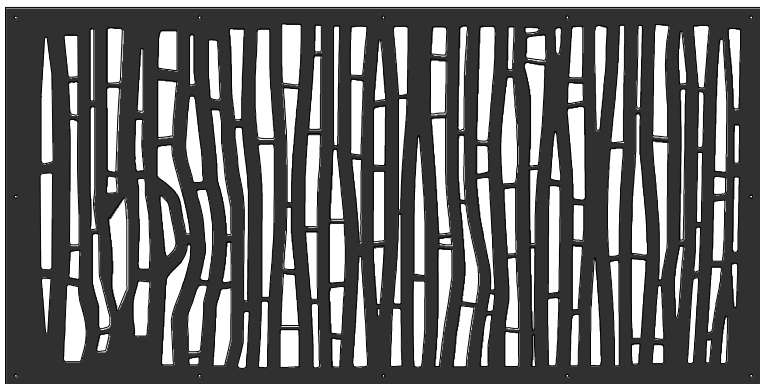
A6P00393
(4) | BACK CUSHION

A6P00394
(2) | SEAT CUSHION

A6P00395
(4) | BACK CUSHION



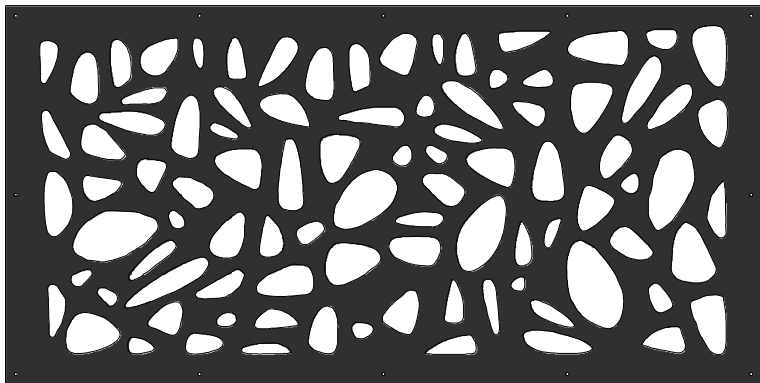
Accessory Components (Not to Scale)



A6P00396
(6) | DECORATIVE BACK PANEL

OR

9205314
BAMBOO PATTERN



A6P00411
(6) | DECORATIVE BACK PANEL

9205321
PEBBLE PATTERN

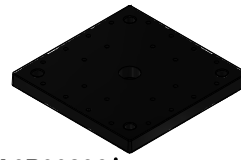


CABANA ASSEMBLY

STEP 1



PT3 | POST - W2A02917
(1) | 7"x7"x89 1/2" (178x178x2274)



A6P00296 | 7x7 POST FOOT
(1)



A4M00949 | STEEL POST ANCHORING PLATE WITH FLANGE
(2)



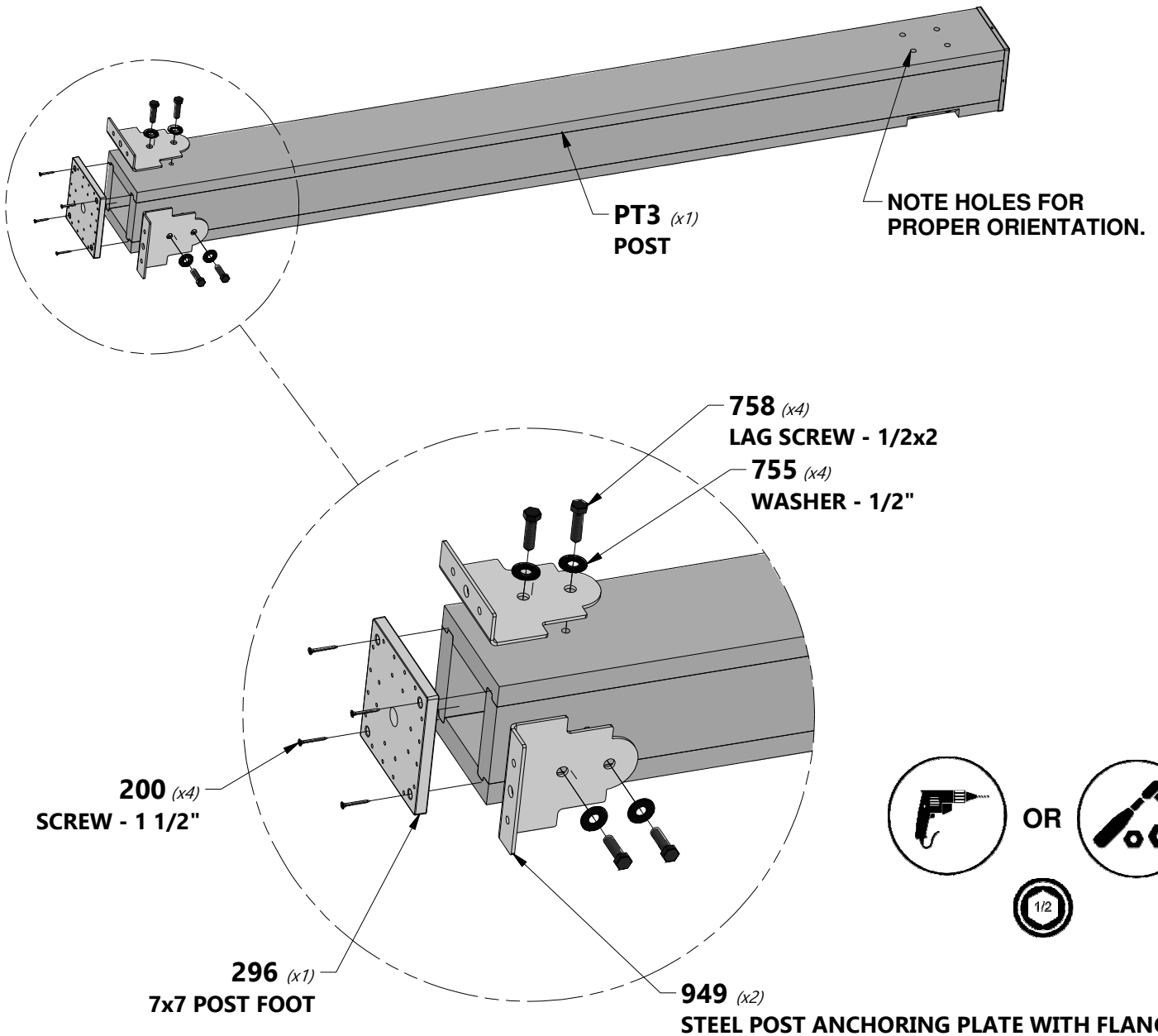
H100758 | LAG SCREW BLK
(4) | 1/2x2



H100200 | SCREW PFH BLK
(4) | 8x1 1/2



H100755 | WASHER FLAT BLK
(4) | 1/2



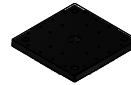


CABANA ASSEMBLY

STEP 2



PT2 | POST - W2A02916
(1) | 7"x7"x89 1/2" (178x178x2274)



A100314 | "A" REVISION TAG
(1)



A4M00949 | STEEL POST ANCHORING PLATE WITH FLANGE
(2)

A6P00296 | 7x7 POST FOOT
(1)

A4M00950 | STEEL POST PLATE
(2)



H100758 | LAG SCREW BLK
(8) | 1/2x2



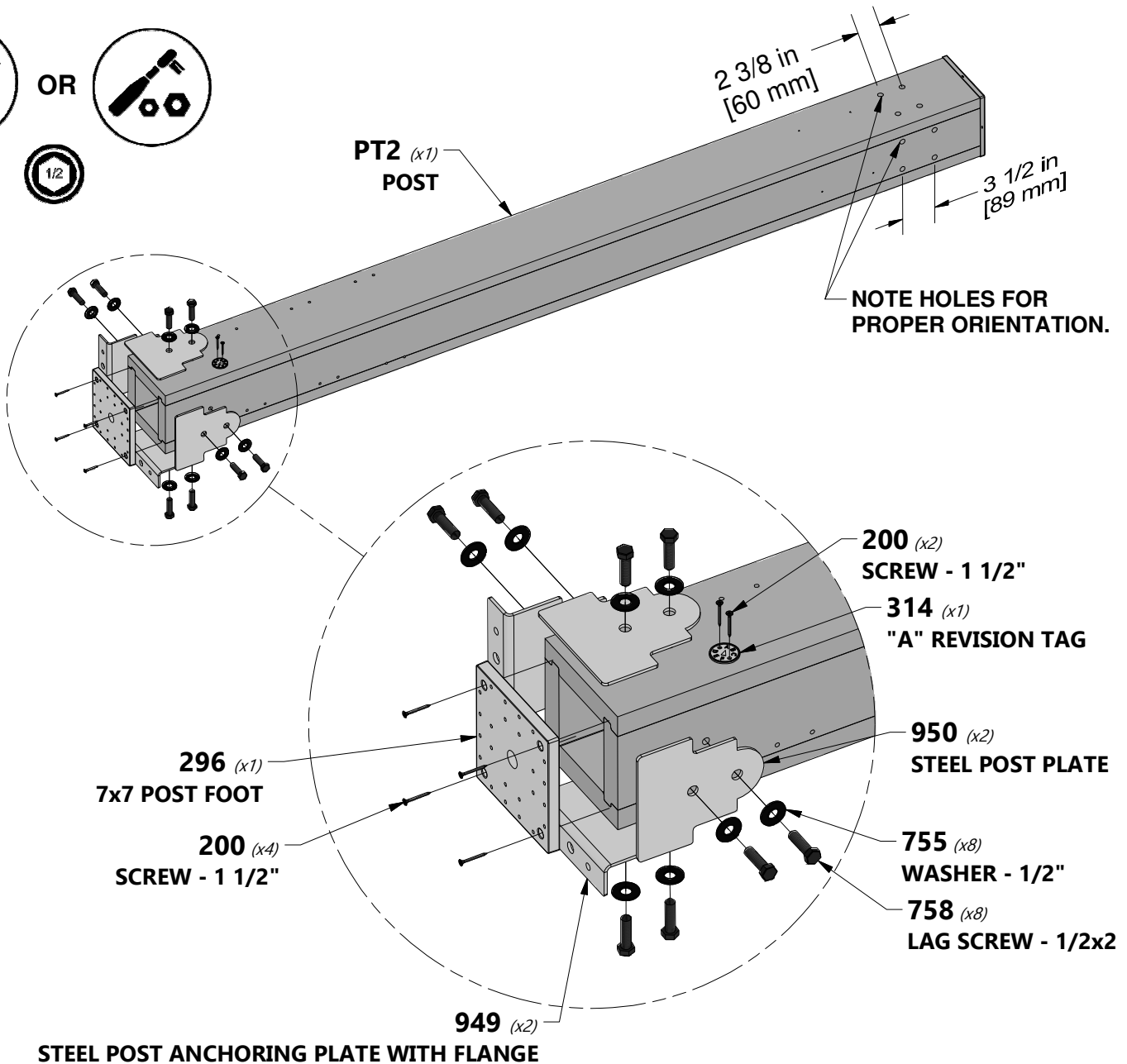
H100200 | SCREW PFH BLK
(6) | 8x1 1/2



H100755 | WASHER FLAT BLK
(8) | 1/2



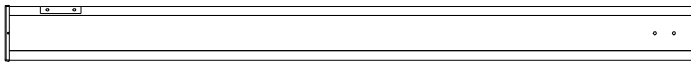
OR





CABANA ASSEMBLY

STEP 3



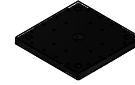
PT1 | **POST - W2A02915**
(1) | 7"x7"x89 1/2" (178x178x2274)



A4M01010 | **LTP ID TAG (SMALL) WITHOUT AGES**
(1)



A4M00949 | **STEEL POST ANCHORING PLATE WITH FLANGE**
(2)



A6P00296 | **7x7 POST FOOT**
(1)



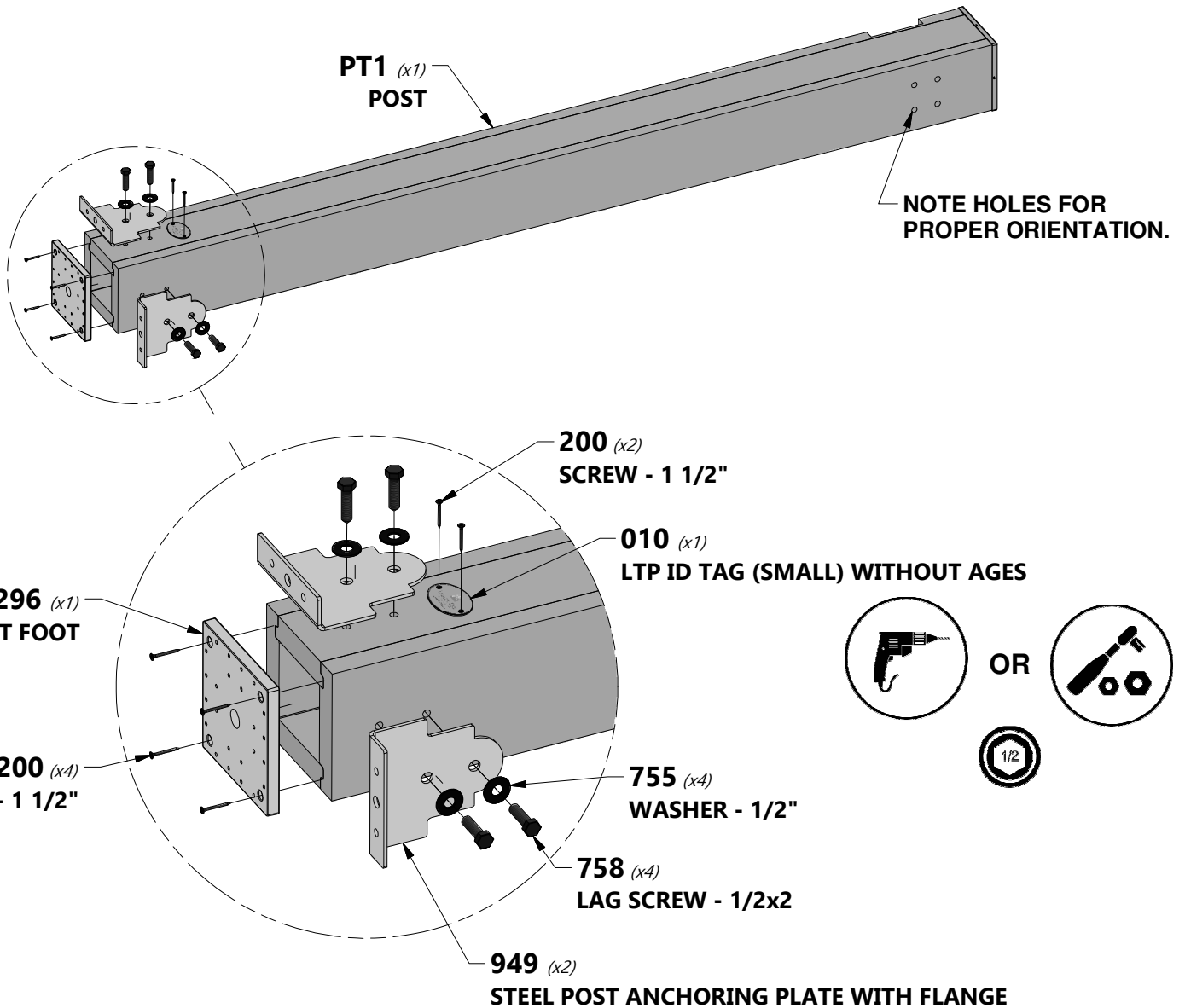
H100758 | **LAG SCREW BLK**
(4) | 1/2x2



H100200 | **SCREW PFH BLK**
(6) | 8x1 1/2



H100755 | **WASHER FLAT BLK**
(4) | 1/2





CABANA ASSEMBLY

STEP 4



D2 | BEAM - W4L12942
(1) | 1 3/8"x5 1/4"x111 1/4" (36x134x2826)



H100756 | BOLT HEX BLK
(8) | 1/2"x9 1/2"



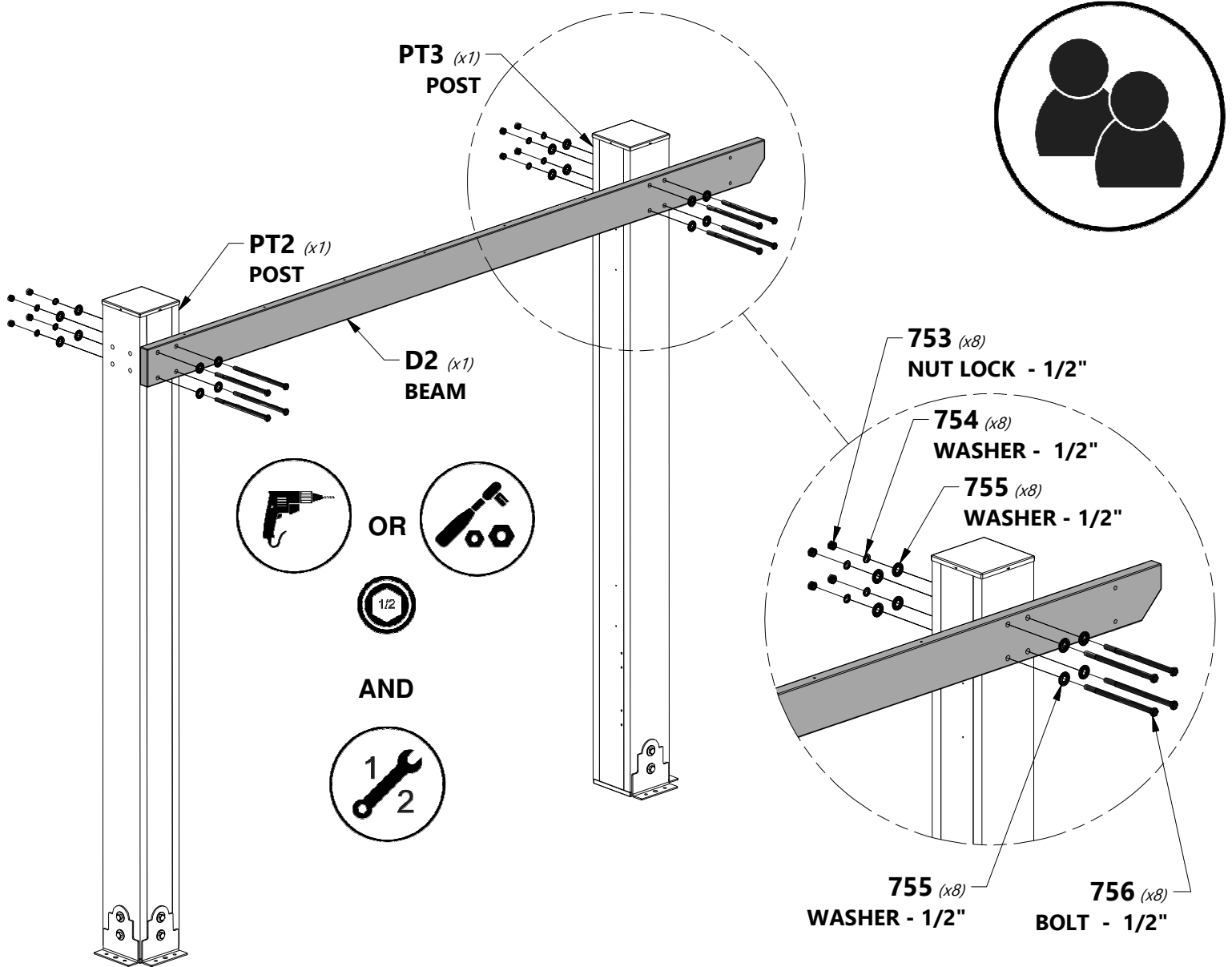
H100755 | WASHER FLAT BLK
(16) | 1/2"



H100754 | WASHER SPLIT
(8) | 1/2"



H100753 | NUT LOCK BLK
(8) | 1/2"





CABANA ASSEMBLY

STEP 5



D1 | BEAM - W4L12941
(1) | 1 3/8"x5 1/4"x111 1/4" (36x134x2826)



H100756 | BOLT HEX BLK
(8) | 1/2x9 1/2



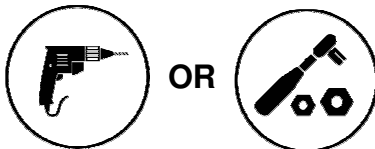
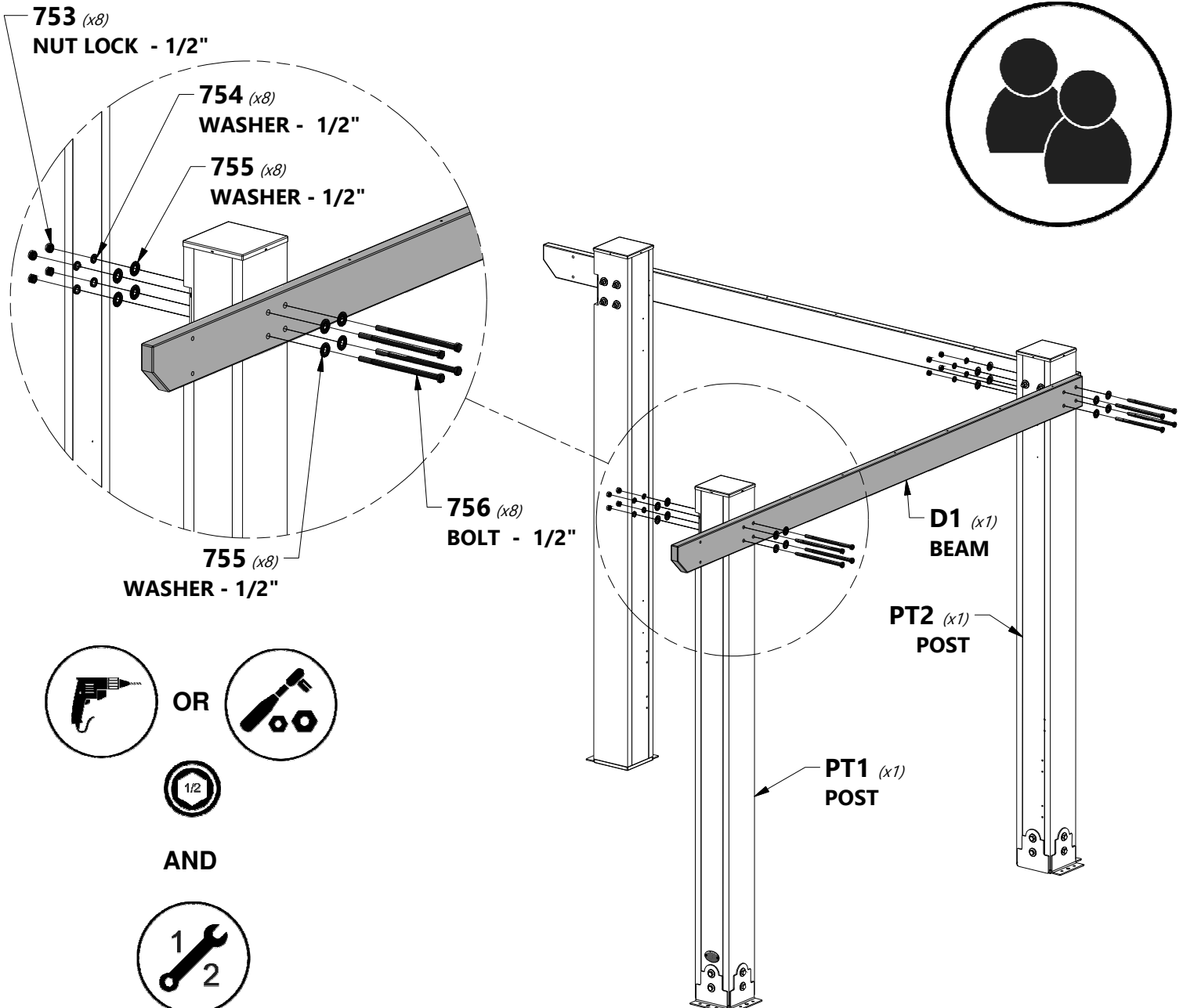
H100755 | WASHER FLAT BLK
(16) | 1/2



H100754 | WASHER SPLIT
(8) | 1/2



H100753 | NUT LOCK BLK
(8) | 1/2



AND





CABANA ASSEMBLY

STEP 6



D4 | BEAM - W4L12944
(1) | 1 3/8"x5 1/4"x146 1/4" (36x134x3714)

A4M01097 | BRACKET 135° BLK
(2)



A4M00555 | 90° L-BRACKET - BLK
(4)



H100202 | SCREW PWH BLK
(4) | 8x5/8



H100199 | WASHER LOCK EXT BLK
(4) | 12x19



H100755 | WASHER FLAT BLK
(4) | 1/2



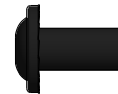
H100843 | LAG SCREW HEX BLK
(4) | 1/2x3



H100468 | BOLT WH BLK
(4) | 5/16x1



H100471 | LAG SCREW WH BLK
(4) | 5/16x1 1/2



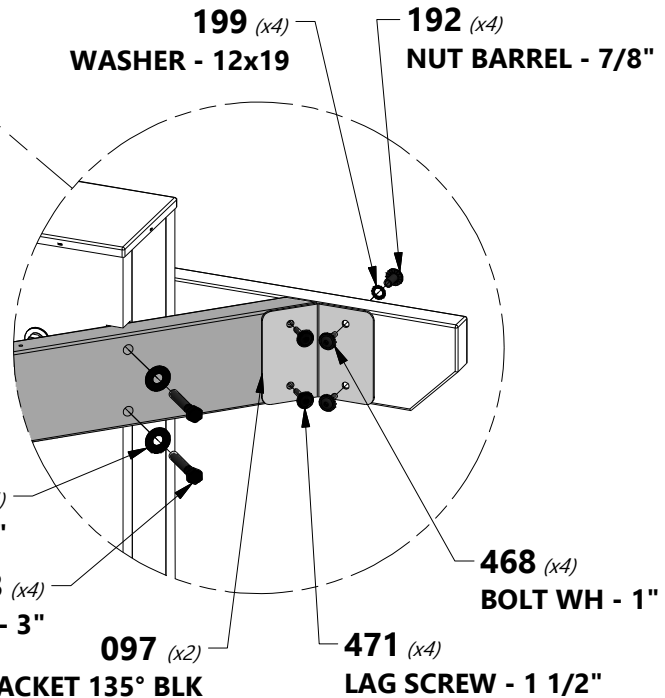
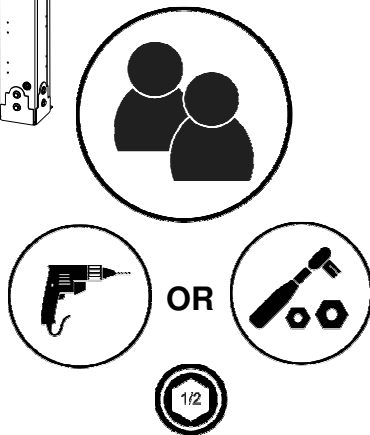
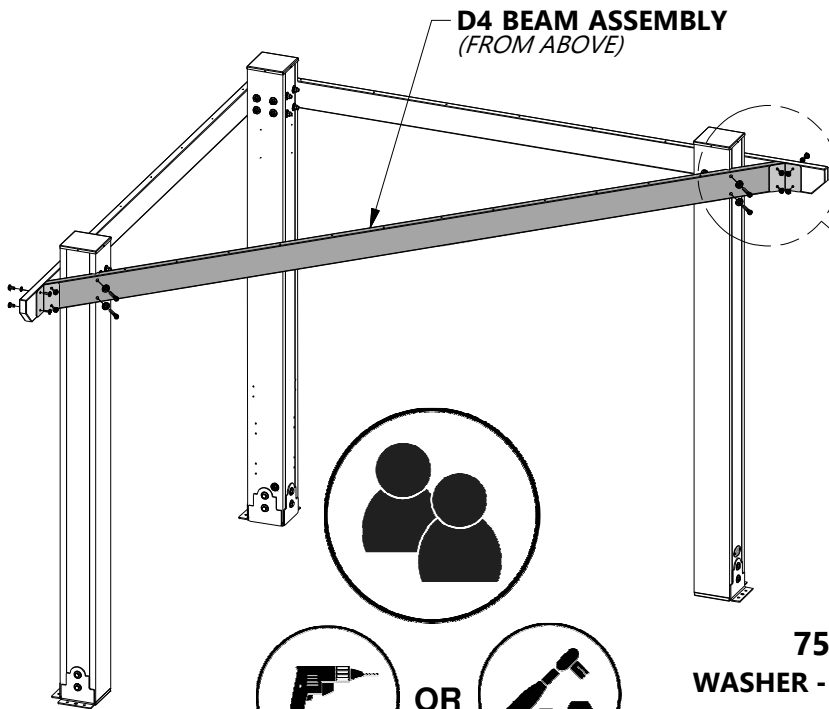
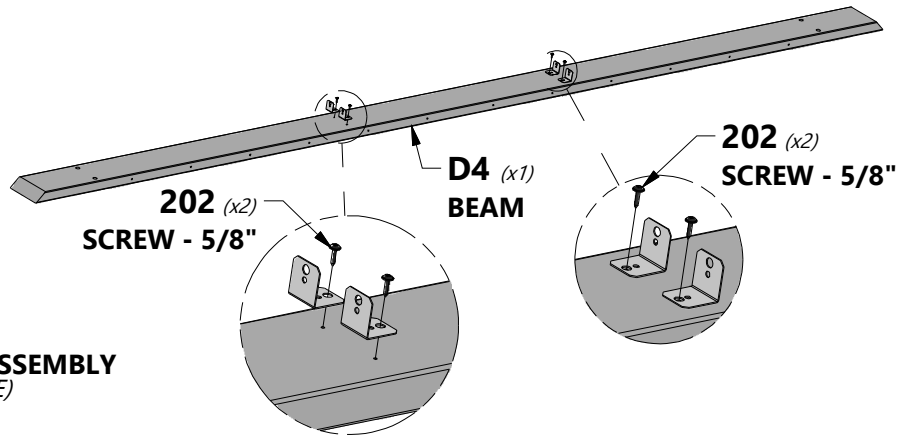
H100192 | NUT BARREL WH BLK
(4) | 5/16x7/8



NOTE:

1. ASSEMBLE L-BRACKETS TO 'D4' BEAM FIRST.

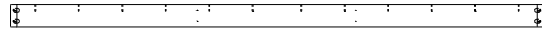
2. ASSEMBLE BEAM TO POSTS AND THEN ATTACH LARGE L-BRACKETS LAST.





CABANA ASSEMBLY

STEP 7



D3 BEAM - W4L12943
(1) | 1 3/8"x5 1/4"x124 7/8" (36x134x3172)



A4M00555 90° L-BRACKET - BLK
(4)



H100458 LAG SCREW WH BLK
(4) | 5/16x2



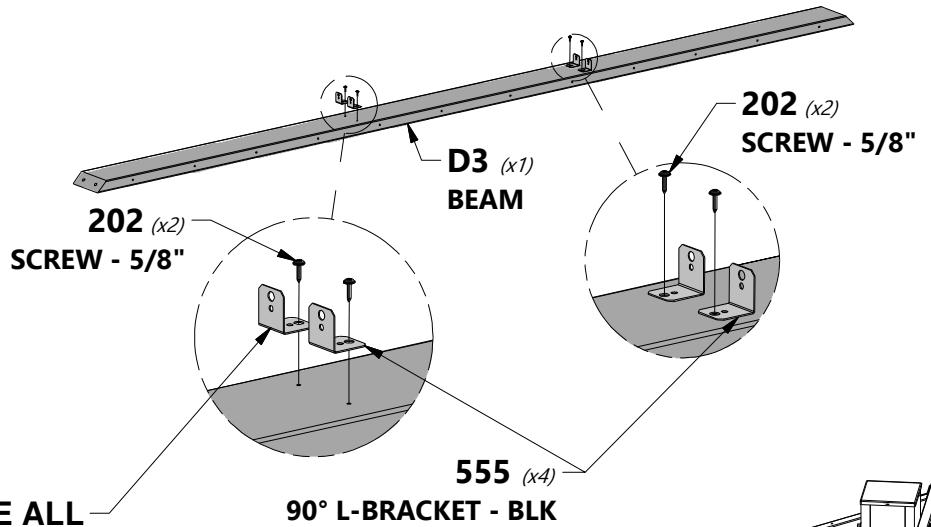
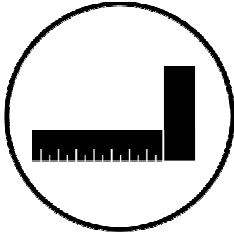
H100198 WASHER LOCK EXT BLK
(4) | 8x19



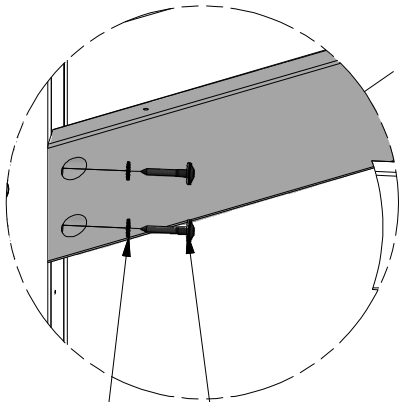
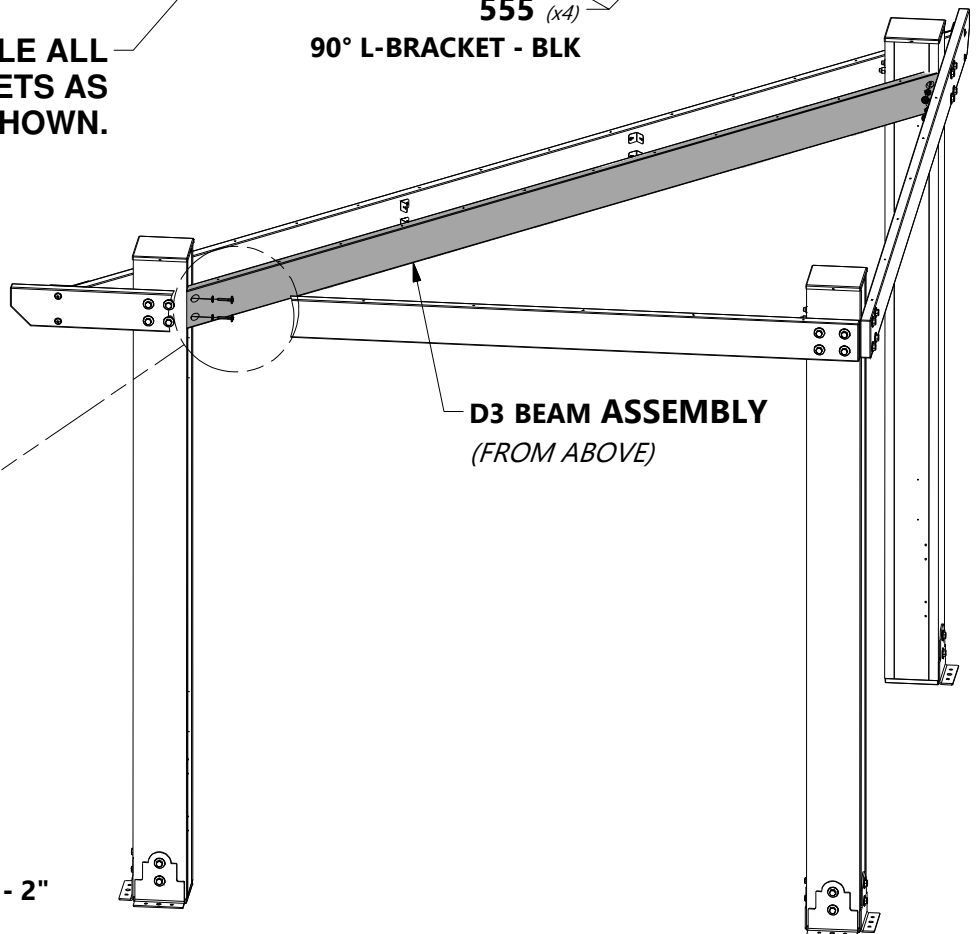
H100202 SCREW PWH BLK
(4) | 8x5/8



NOTE:
ASSEMBLE L-BRACKETS
TO 'D3' BEAM FIRST.



**ASSEMBLE ALL
L-BRACKETS AS
SHOWN.**



**198 (x4)
WASHER - 8x19**

**458 (x4)
LAG SCREW - 2"**



CABANA ASSEMBLY

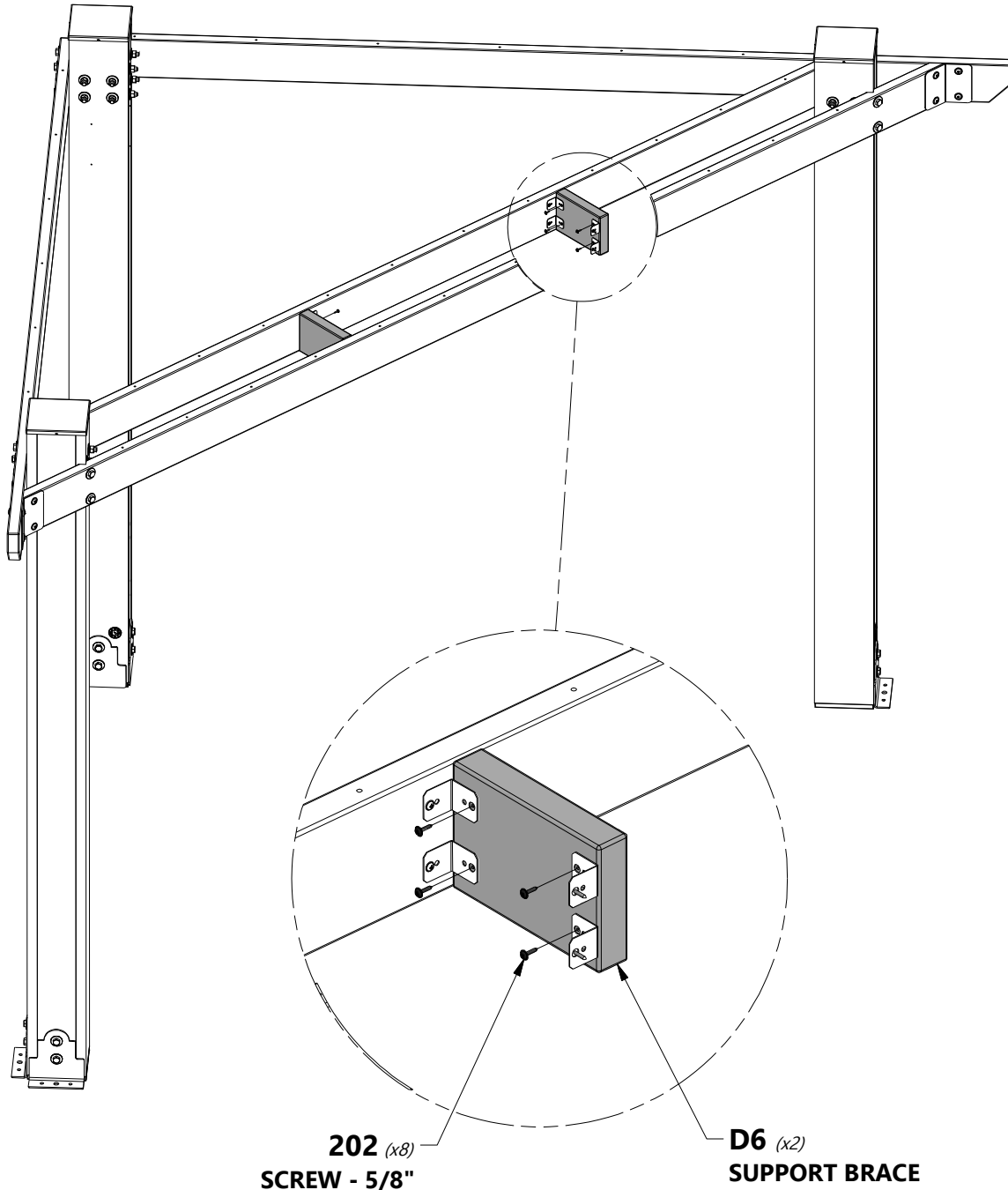
STEP 8



D6 | SUPPORT BRACE - W4L13037
(2) 1 3/8"x5 1/4"x7 7/8" (36x134x199)



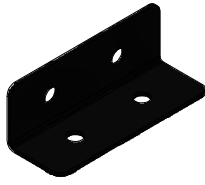
H100202 | SCREW PWH BLK
(8) 8x5/8





CABANA ASSEMBLY

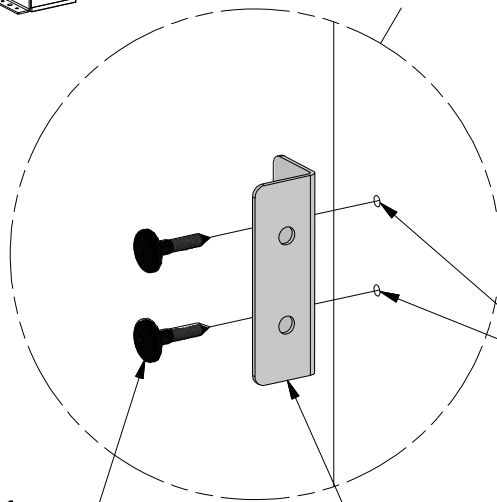
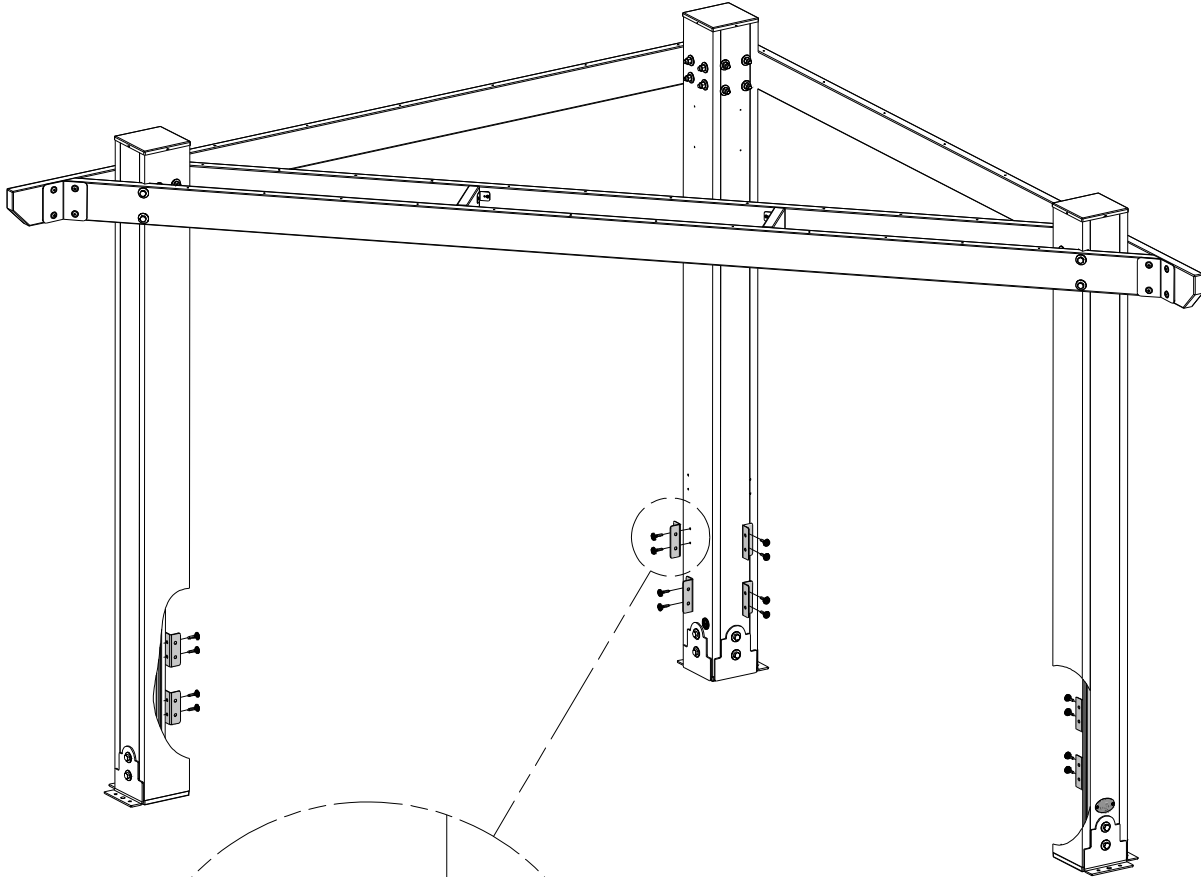
STEP 9



A4M01096 | L BRACKET
(8) | 40x40x112 - BLK



H100471 | LAG SCREW WH BLK
(16) | 5/16x1 1/2



LOCATE PRE-DRILLED HOLES
IN POSTS TO ASSEMBLE
L-BRACKETS PROPERLY.

471 (x16)
LAG SCREW - 1 1/2"

619 (x8)
L BRACKET 40x40x112 - BLK



CABANA ASSEMBLY

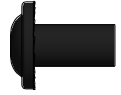
STEP 10



Q1 | LOWER SUPPORT - W4L12940
(4) | 1"x4 3/8"x81 1/4" (24x112x2065)



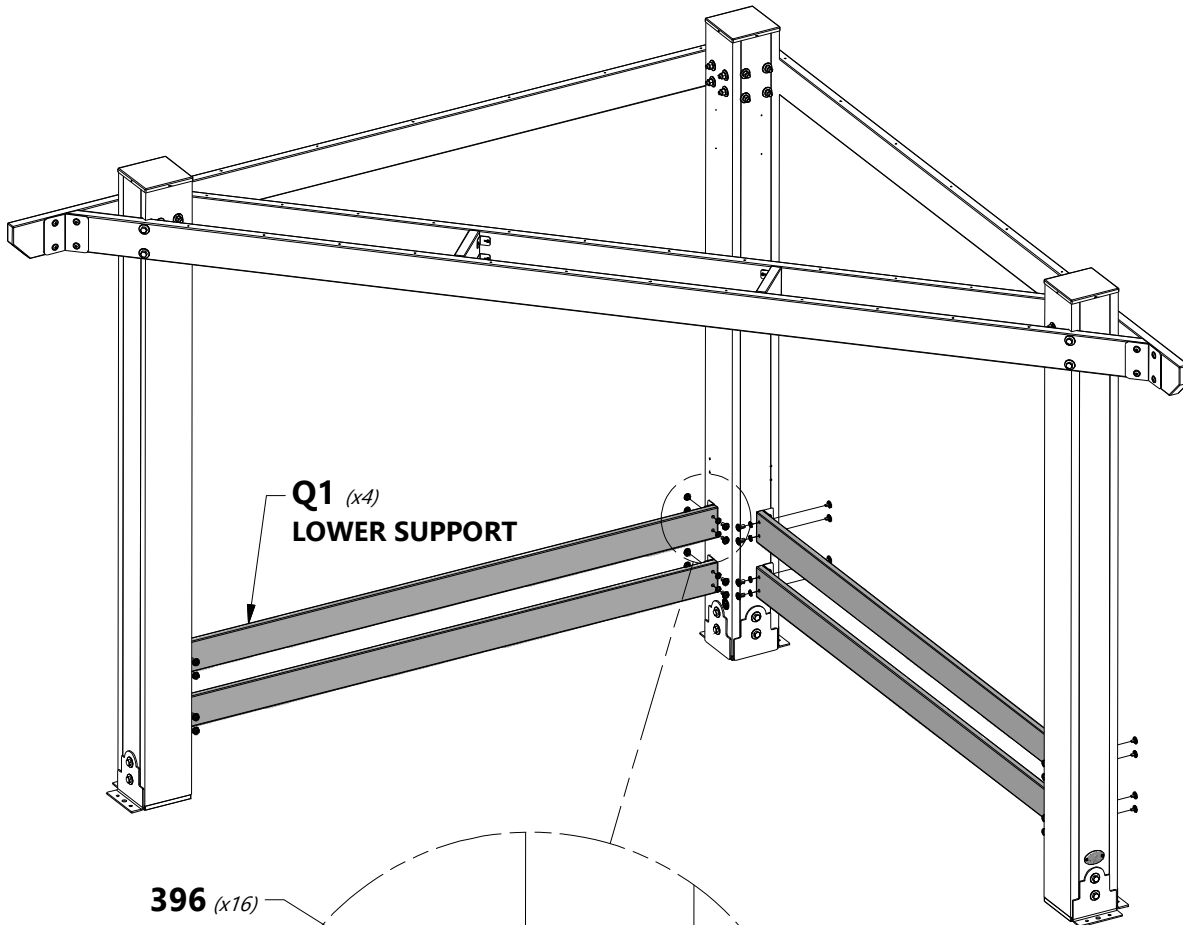
H100396 | BOLT WH BLK
(16) | 5/16x1/2



H100192 | NUT BARREL WH BLK
(16) | 5/16x7/8



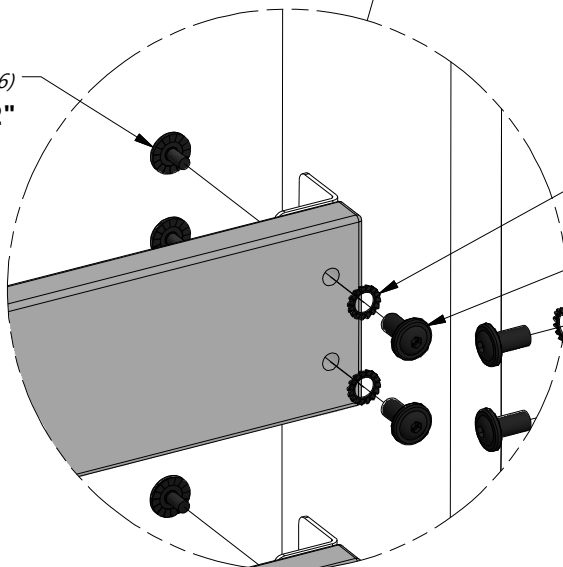
H100199 | WASHER LOCK EXT BLK
(16) | 12x19



Q1 (x4)
LOWER SUPPORT

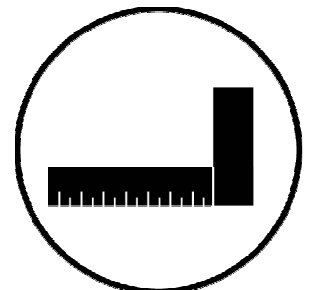


396 (x16)
BOLT - 1/2"



199 (x16)
WASHER - 12x19

192 (x16)
NUT BARREL - 7/8"



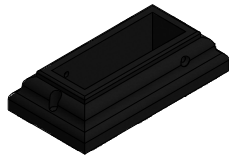


CABANA ASSEMBLY

STEP 11



A4M01096 | L BRACKET
(2) | 40x40x112 - BLK



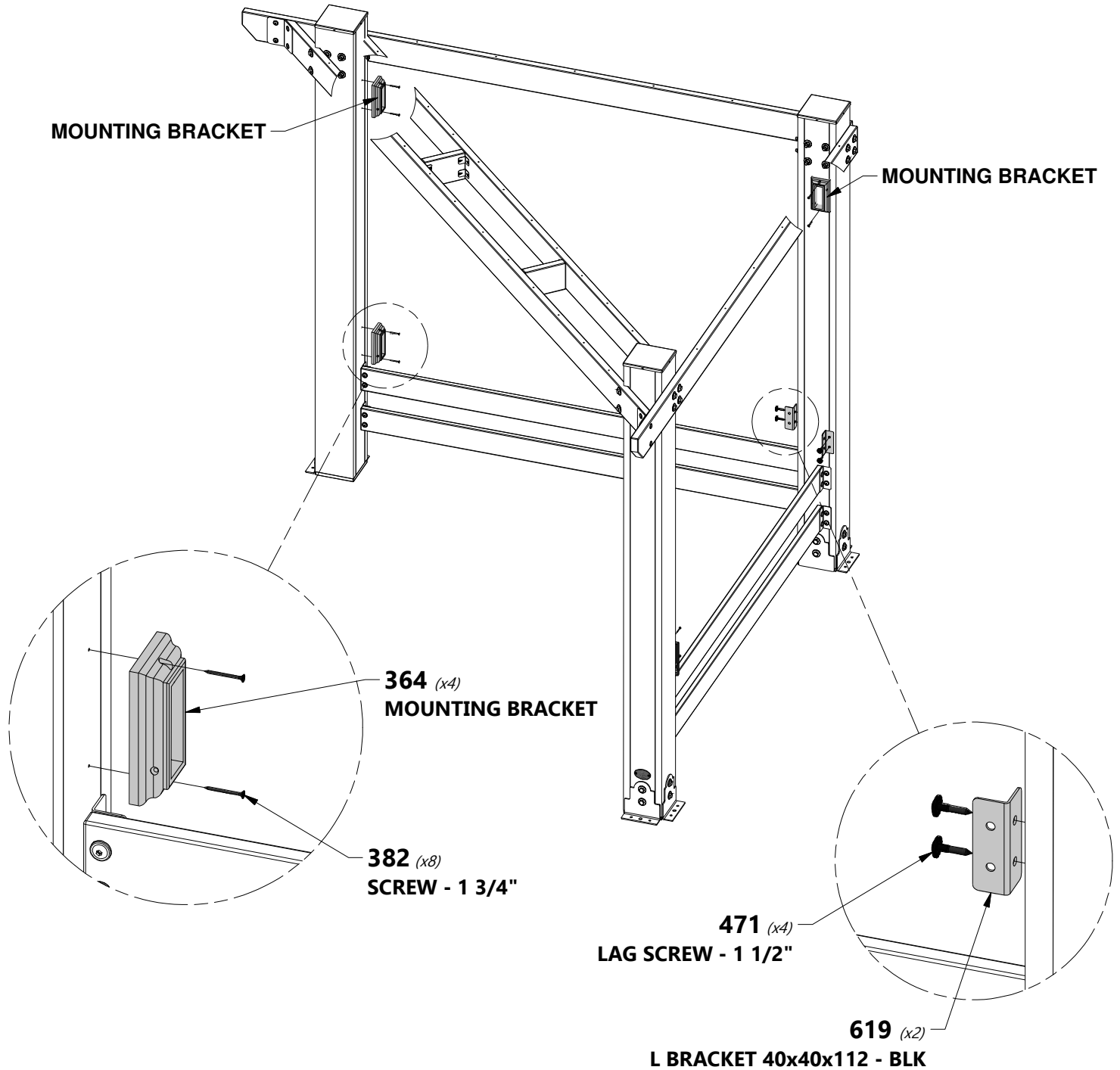
A6P00364 | MOUNTING BRACKET
(4)



H100471 | LAG SCREW WH BLK
(4) | 5/16x1 1/2



H100382 | SCREW PFH BLK
(8) | 8x1 3/4





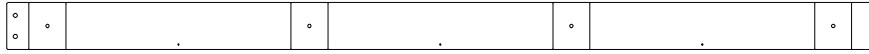
CABANA ASSEMBLY

STEP 12

NOTE HOLES LOCATED TOWARD TOP OF BOARD.



AN1 | LOWER SUPPORT - W4L13032
(1) | 1 3/8"x4 3/8"x81 1/4" (36x112x2065)



AN3 | LOWER SUPPORT - W4L13070
(1) | 1 3/8"x4 3/8"x81 1/4" (36x112x2065)



H100407 | BOLT WH BLK
(4) | 5/16x1 1/2



H100379 | T-NUT BLK
(4) | 5/16

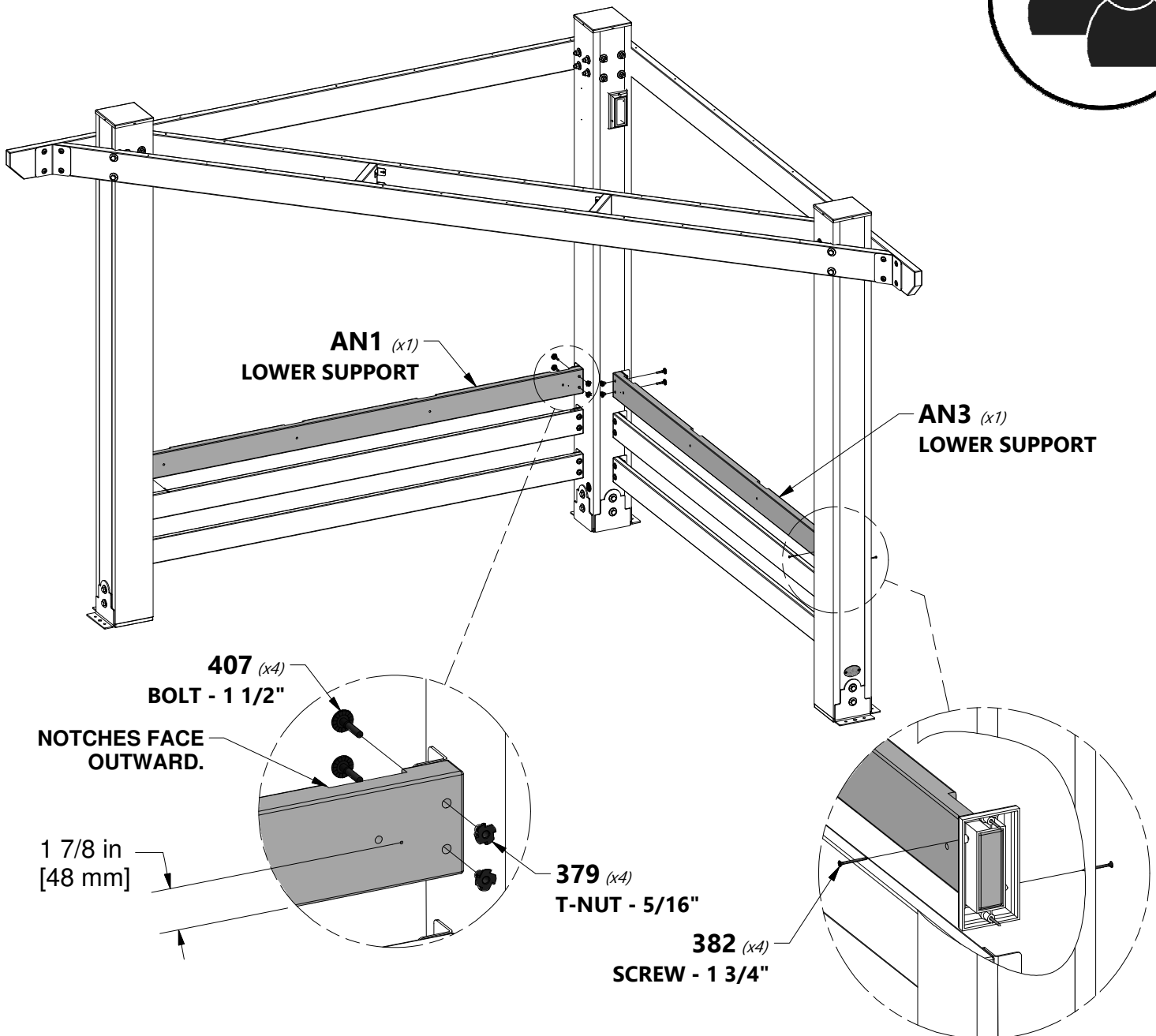
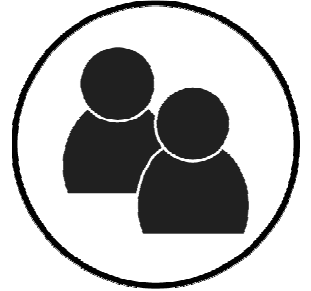


H100382 | SCREW PFH BLK
(4) | 8x1 3/4



NOTE:

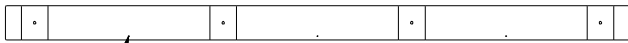
INSTALL T-NUTS BEFORE ASSEMBLY OF BOARDS.





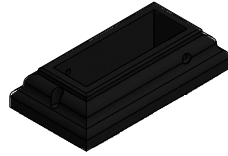
CABANA ASSEMBLY

STEP 13



AN2 | TOP SUPPORT - W4L13069
(2) | 1 3/8"x4 3/8"x81 1/4" (36x112x2065)

NOTE HOLES LOCATED TOWARD BOTTOM OF BOARD.



A6P00364 | MOUNTING BRACKET
(2)



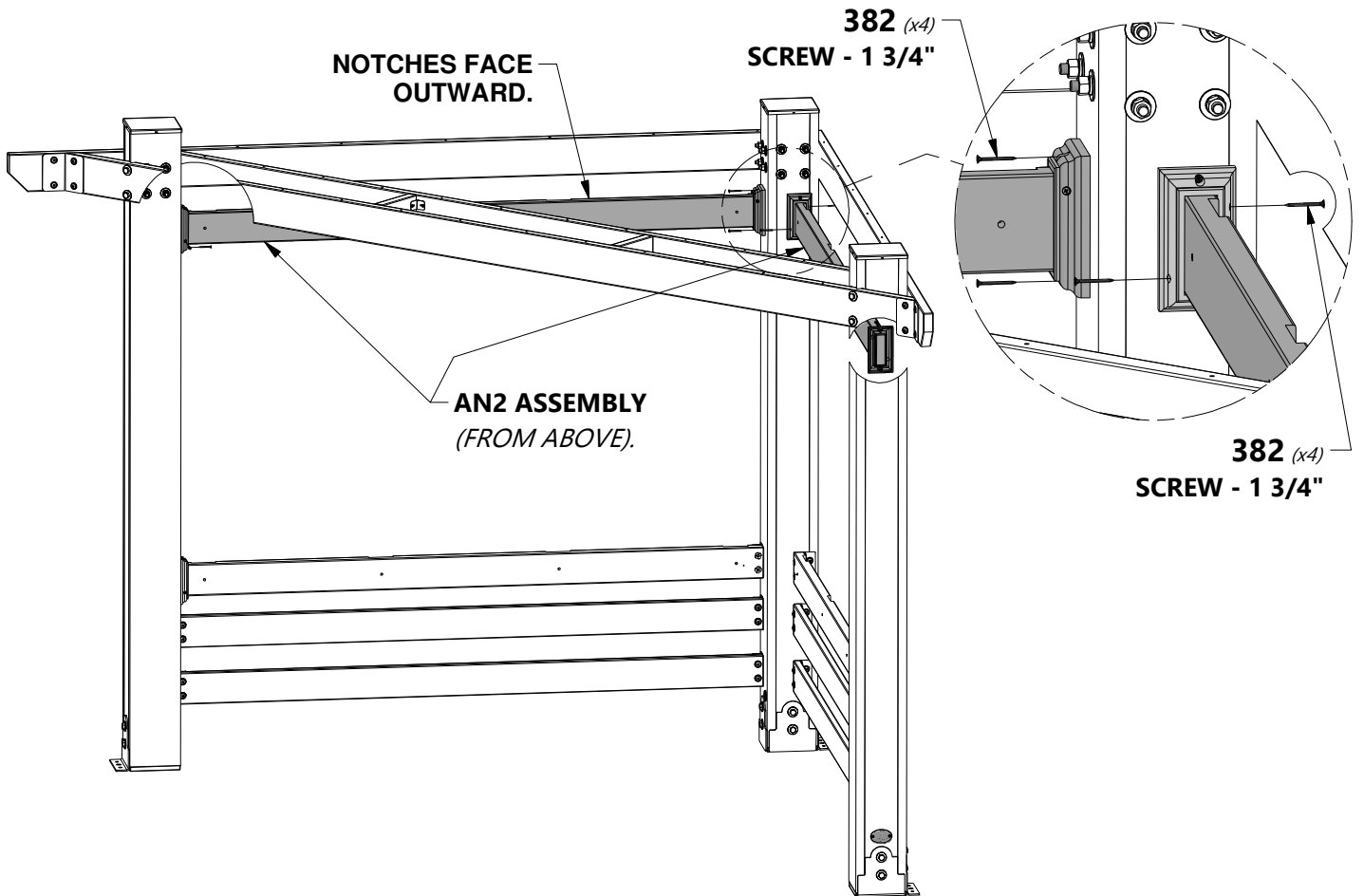
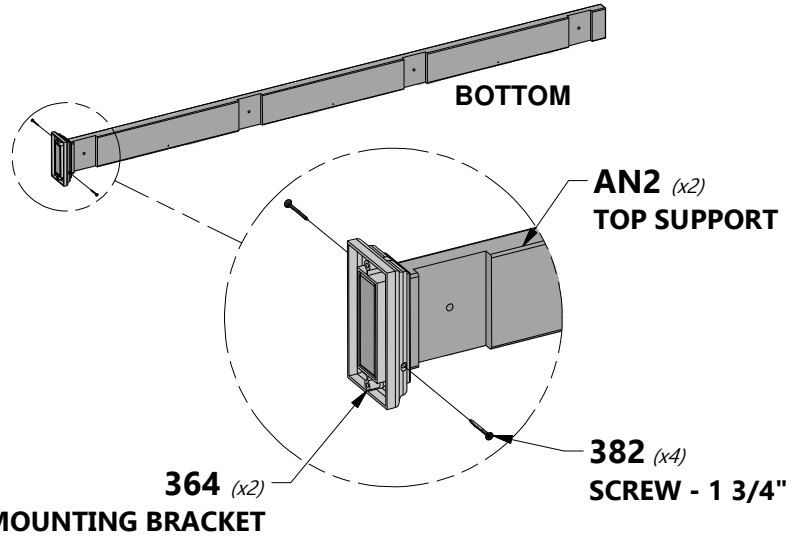
H100382 | SCREW PFH BLK
(12) | 8x1 3/4



NOTE:

1. SLIDE 'AN2' BOARD INTO MOUNTING BRACKET AND FASTEN USING HARDWARE PROVIDED TO CREATE SUBASSEMBLY (x2).

2. LOCATE PREVIOUSLY ASSEMBLED MOUNTING BRACKETS ON CABANA. INSERT 'AN2' SUBASSEMBLY INTO BRACKET AND SECURE USING HARDWARE PROVIDED (x2).





CABANA ASSEMBLY

STEP 14



H1 | LOWER SUPPORT - W4L13034
(8) | 1"x3 3/8"x53 7/8" (24x86x1368)



H100171 | BOLT WH BLK
(16) | 1/4x1



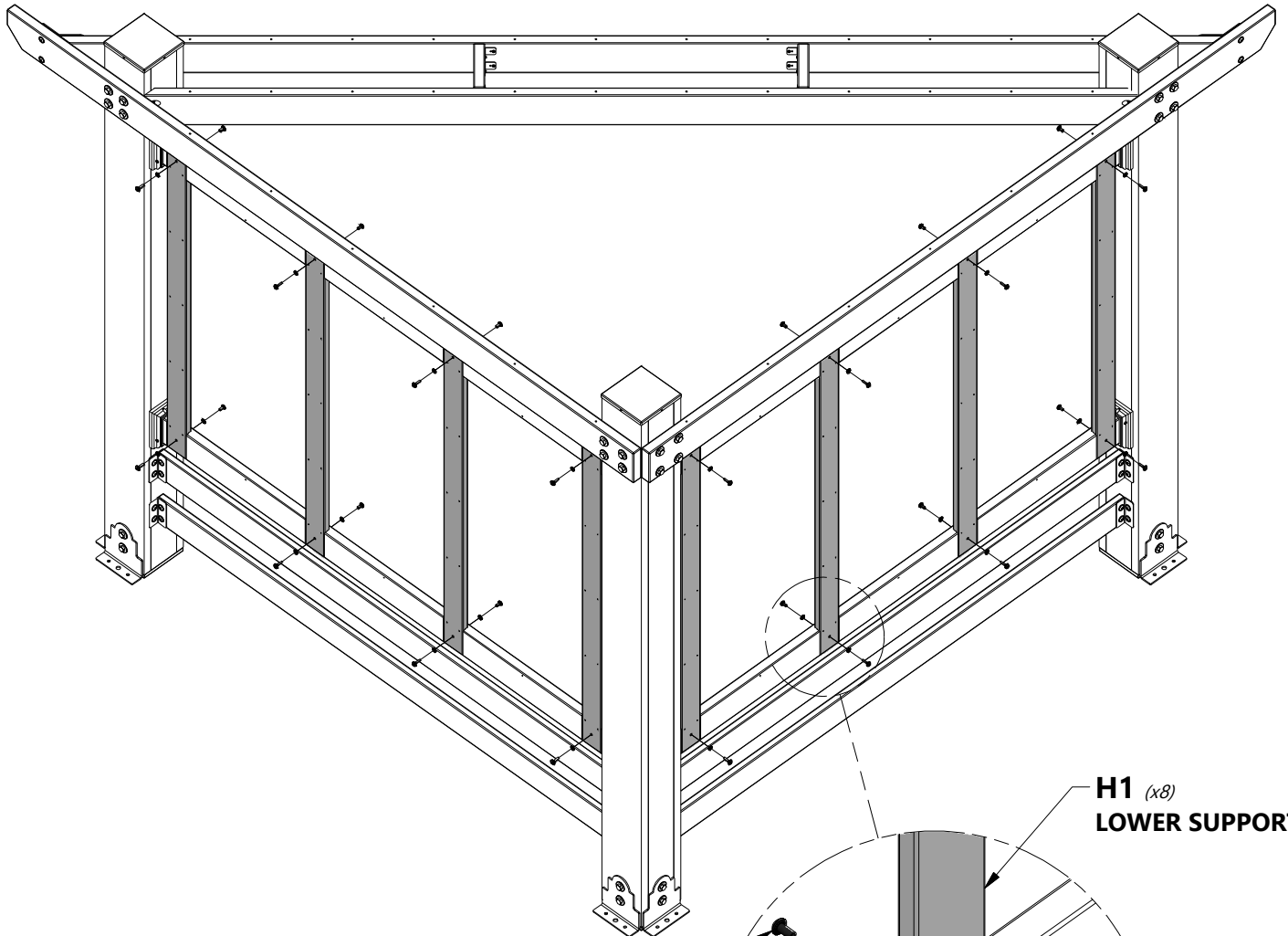
H100405 | WASHER LOCK EXT BLK
(16) | 6x15



H100400 | WASHER LOCK EXT BLK
(16) | 8x15



H100404 | NUT BARREL WH BLK
(16) | 1/4x5/8



H1 (x8)
LOWER SUPPORT

404 (x16)
NUT BARREL - 5/8"

400 (x16)
WASHER - 8x15

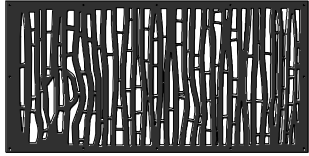
405 (x16)
WASHER - 6x15

171 (x16)
BOLT - 1"



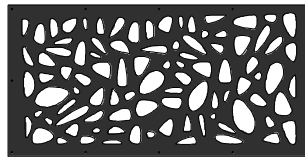
CABANA ASSEMBLY

STEP 15



A6P00396
(6) | DECORATIVE BACK PANEL

OR



A6P00411
(6) | DECORATIVE BACK PANEL



H100797 | SCREW PWH BLK
(72) | 8x1

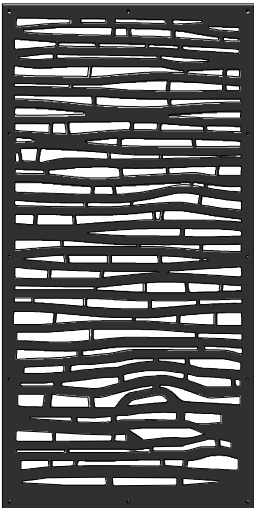


NOTE:

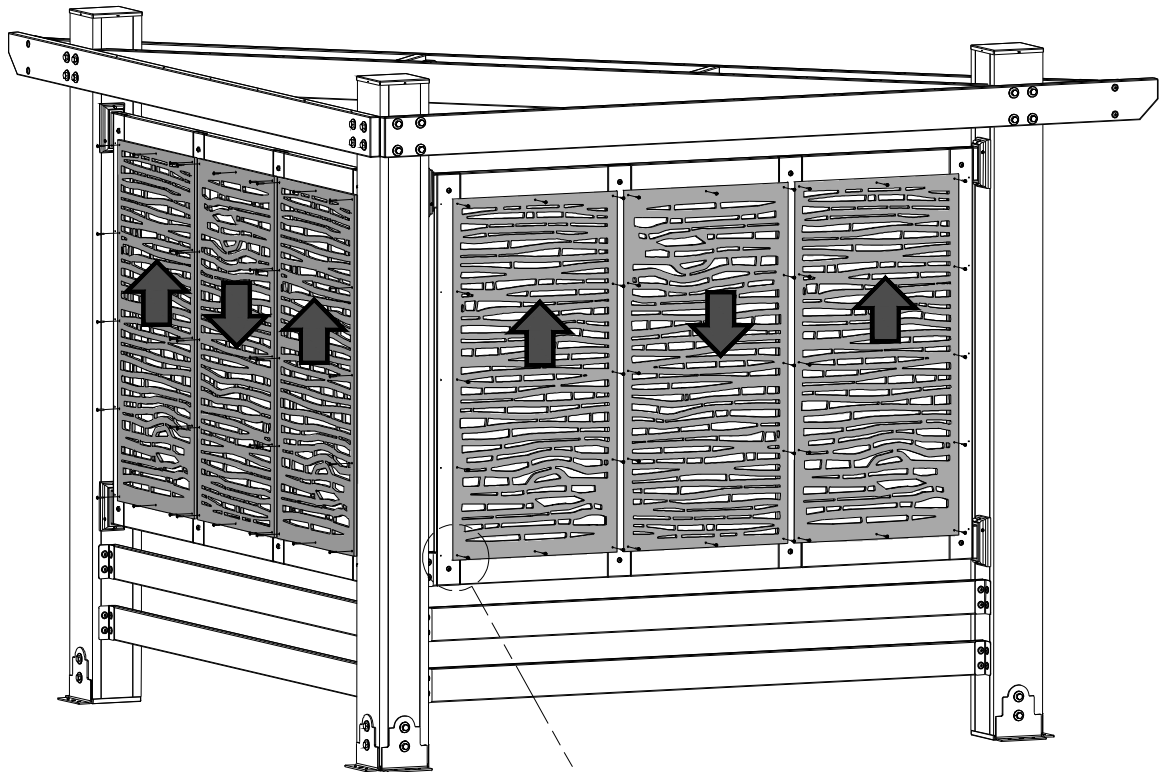
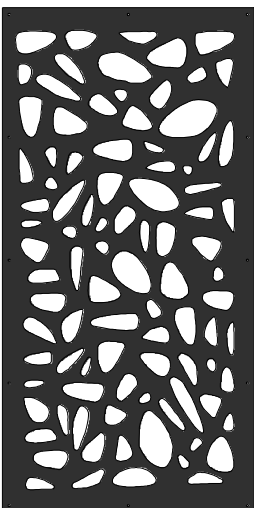
1. ALTERNATE TOP AND BOTTOM AS SHOWN BELOW.
2. TEXTURED SIDE OF PANEL FACES INWARD.



TOP



OR



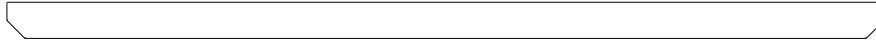
396 (x6)
DECORATIVE BACK PANEL

797 (x72)
SCREW - 1"

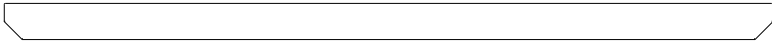


CABANA ASSEMBLY

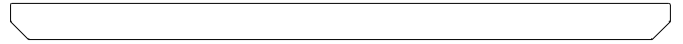
STEP 16



E1 | TOP JOIST - W4L12945
(2) | 1 3/8"x3 3/8"x82 1/4" (36x86x2091)



E2 | TOP JOIST - W4L12946
(2) | 1 3/8"x3 3/8"x72 1/8" (36x86x1832)



E3 | TOP JOIST - W4L12947
(2) | 1 3/8"x3 3/8"x61 7/8" (36x86x1572)



E4 | TOP JOIST - W4L12948
(2) | 1 3/8"x3 3/8"x51 5/8" (36x86x1310)



E5 | TOP JOIST - W4L12949
(2) | 1 3/8"x3 3/8"x41 1/4" (36x86x1048)



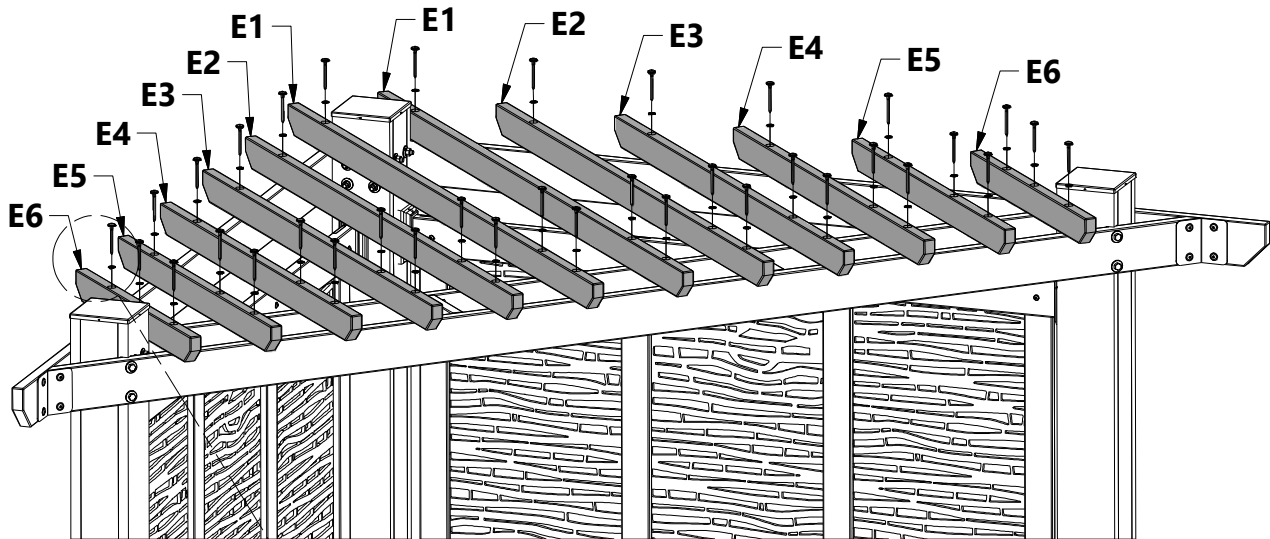
E6 | TOP JOIST - W4L13031
(2) | 1 3/8"x3 3/8"x31" (36x86x786)



H100482 | LAG SCREW WH BLK
(36) | 5/16x3 1/2

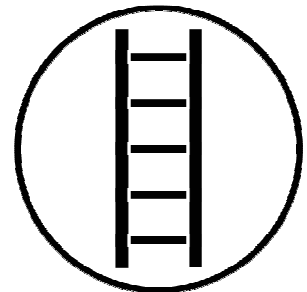
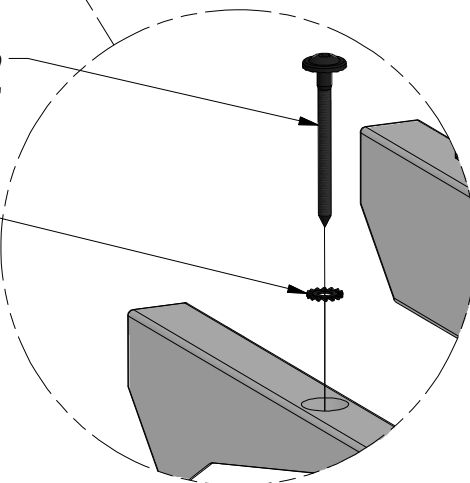


H100198 | WASHER LOCK EXT BLK
(36) | 8x19



482 (x36)
LAG SCREW - 3 1/2"

198 (x36)
WASHER - 8x19





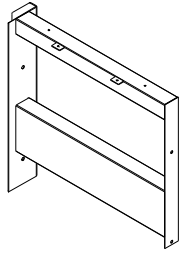
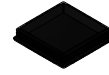
**CUSTOMERS ASSEMBLING MODELS:
2004511, 2004535, 2004559, OR 2004542
CONTINUE ON TO THE NEXT STEP.**

**CUSTOMERS ASSEMBLING MODELS:
2004566 OR 2004528, PLEASE REFER
TO STEP 26 FOR ANCHORING.**

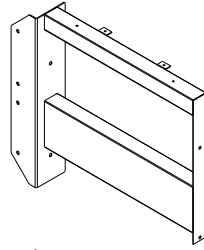


CABANA ASSEMBLY

STEP 17

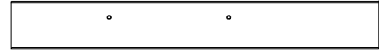


A4M01060
(1) | **FRAME END - LEFT**



A4M01066
(1) | **FRAME END - RIGHT**

A6P00377
(2) | **SNAP-IN SQUARE PLUG**



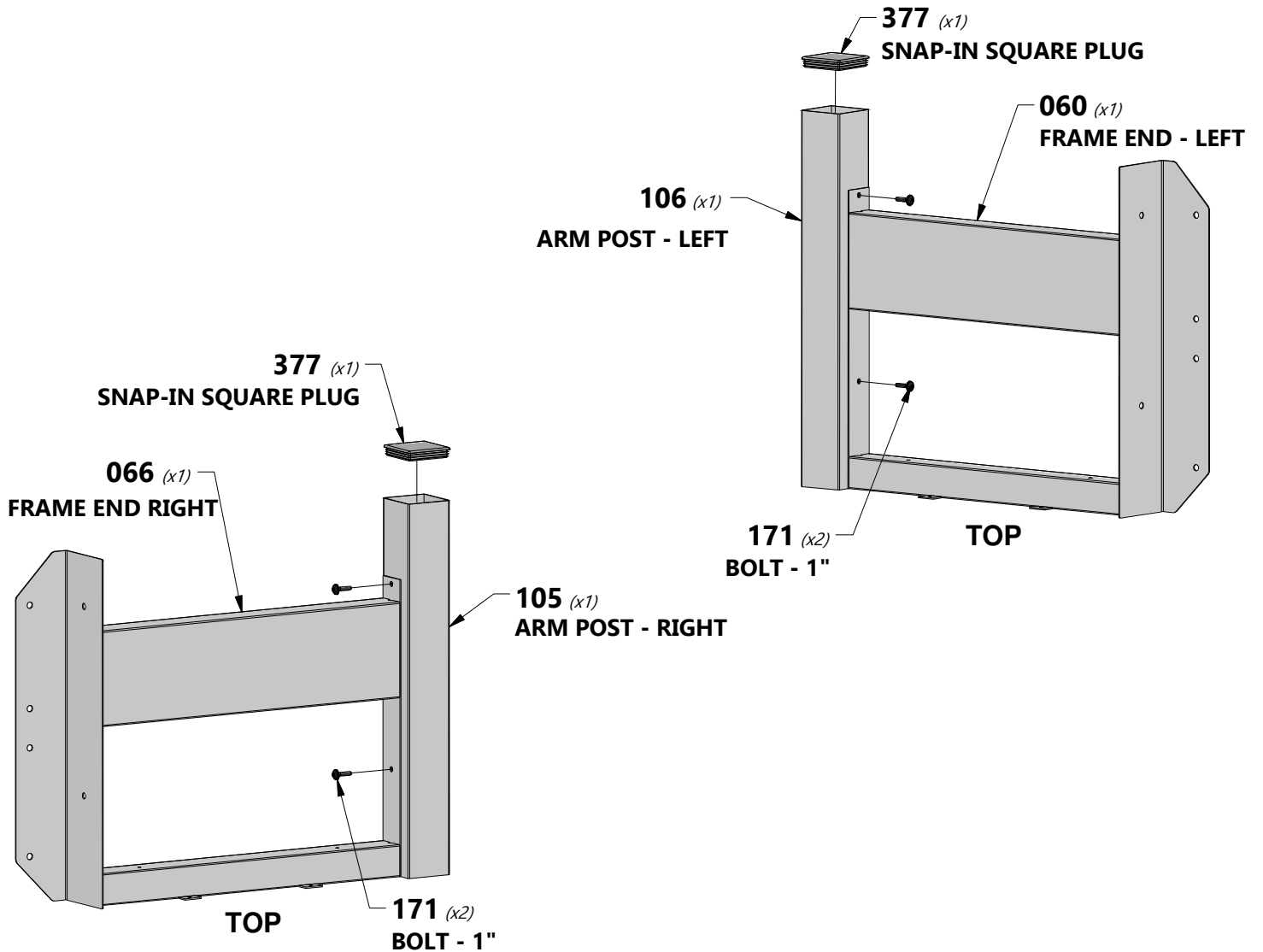
A4M01105
(1) | **ARM POST - RIGHT**



A4M01106
(1) | **ARM POST - LEFT**



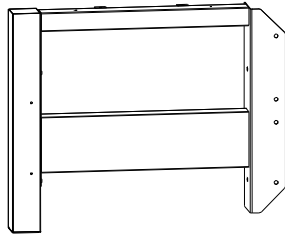
H100171
(4) | **BOLT WH BLK**
1/4x1



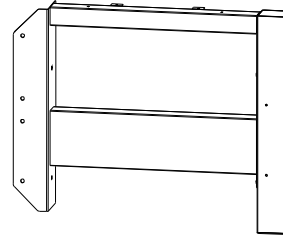


CABANA ASSEMBLY

STEP 18



(1) METAL ARM - LEFT SUBASSEMBLY



(1) METAL ARM - RIGHT SUBASSEMBLY

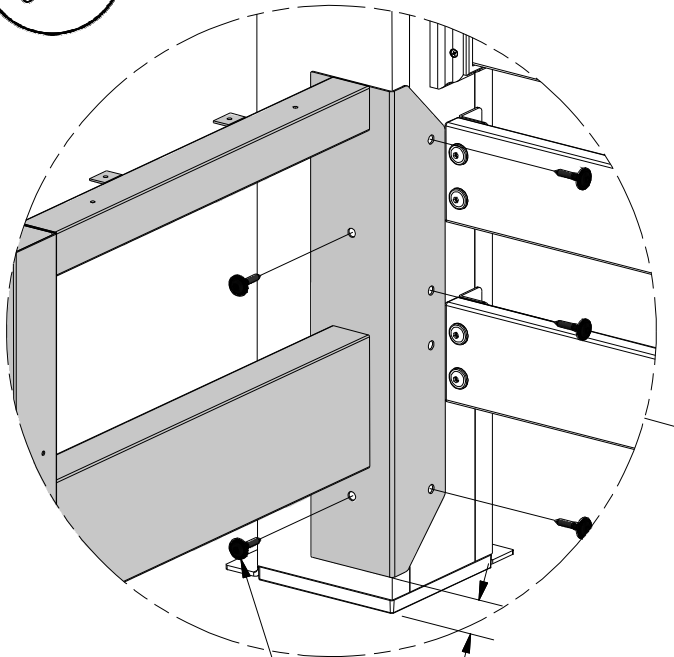


H100471 | LAG SCREW WH BLK
(10) | 5/16x1 1/2



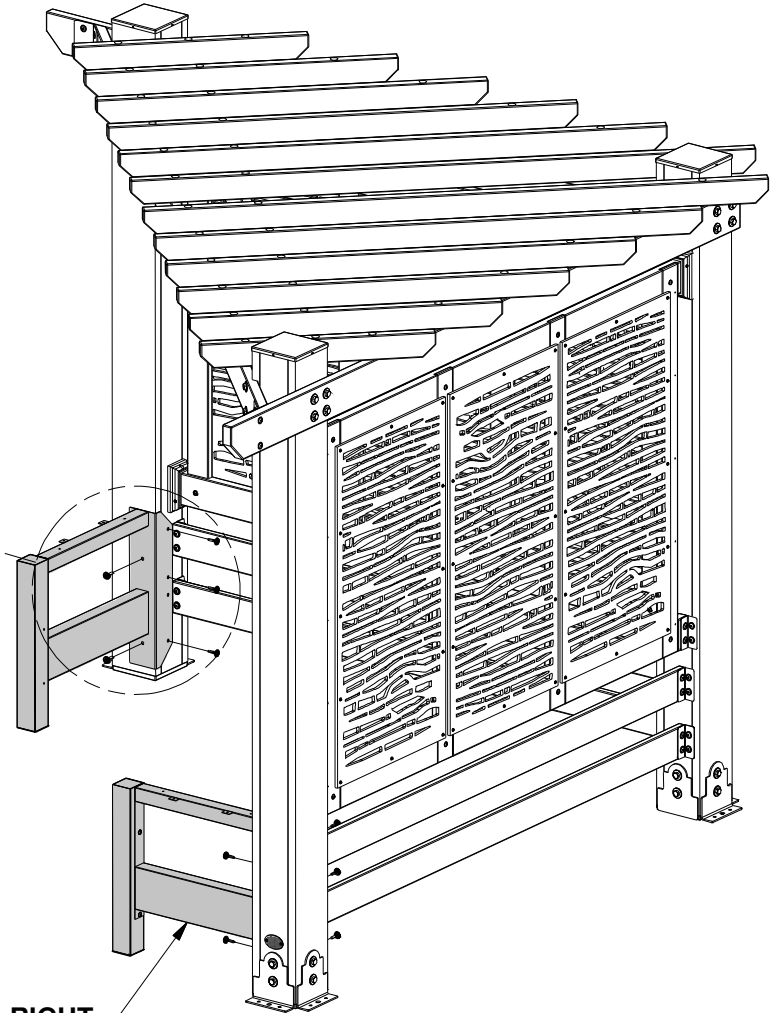
NOTE:

LOCATE AND USE ARMREST ASSEMBLY HOLES AS A TEMPLATE. MARK AND DRILL HOLES SECURING METAL ARMRESTS TO POSTS. USE THE 6 MM DRILL BIT PROVIDED IN HARDWARE KIT TO DRILL 3/8" [10 MM] DEEP HOLES. USE HARDWARE PROVIDED.



471 (x10)
LAG SCREW - 1 1/2"
(RIGHT & LEFT ARMS)

1 5/8 in
[42 mm]
(BOTH ARMS)

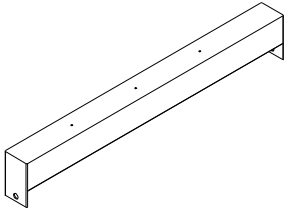


METAL ARM - RIGHT SUBASSEMBLY (x1)

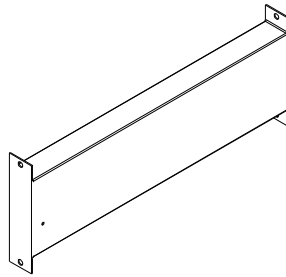


CABANA ASSEMBLY

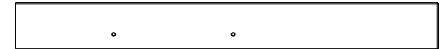
STEP 19



A4M01065 | RAIL
(2)



A4M01095 | RAIL
(2)



A4M01063 | POST
(1)



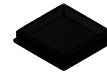
A4M01069 | POST
(1)



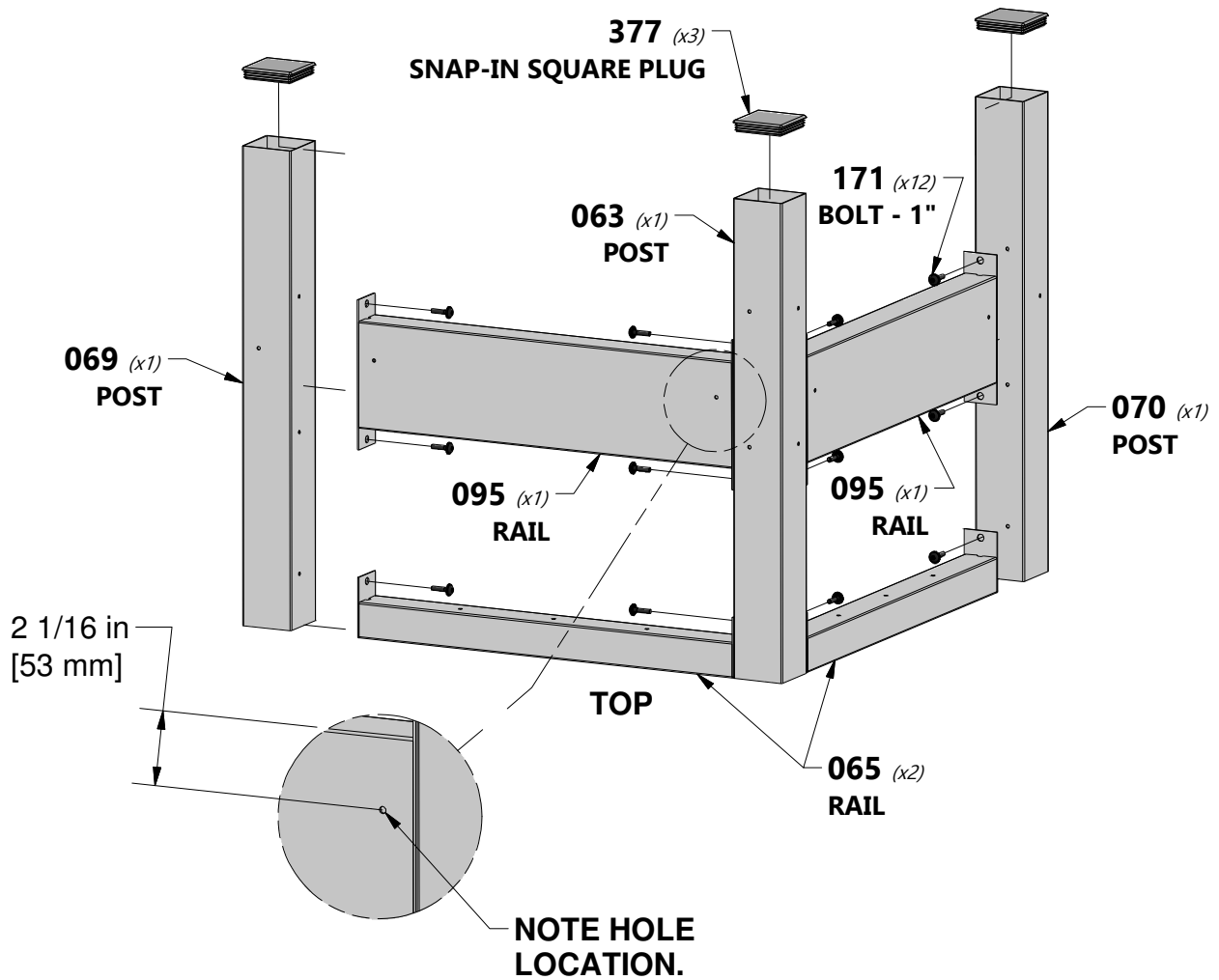
A4M01070 | POST
(1)

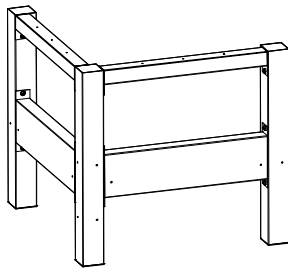


H100171 | BOLT WH BLK
(12) | 1/4x1



A6P00377 | SNAP-IN SQUARE PLUG
(3)

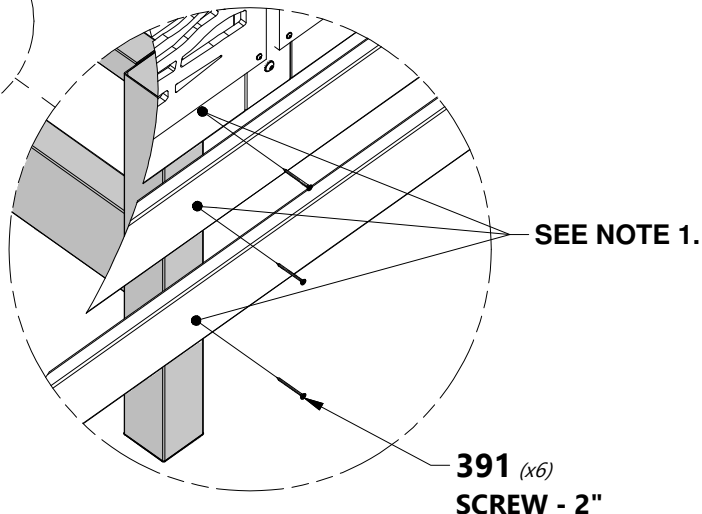
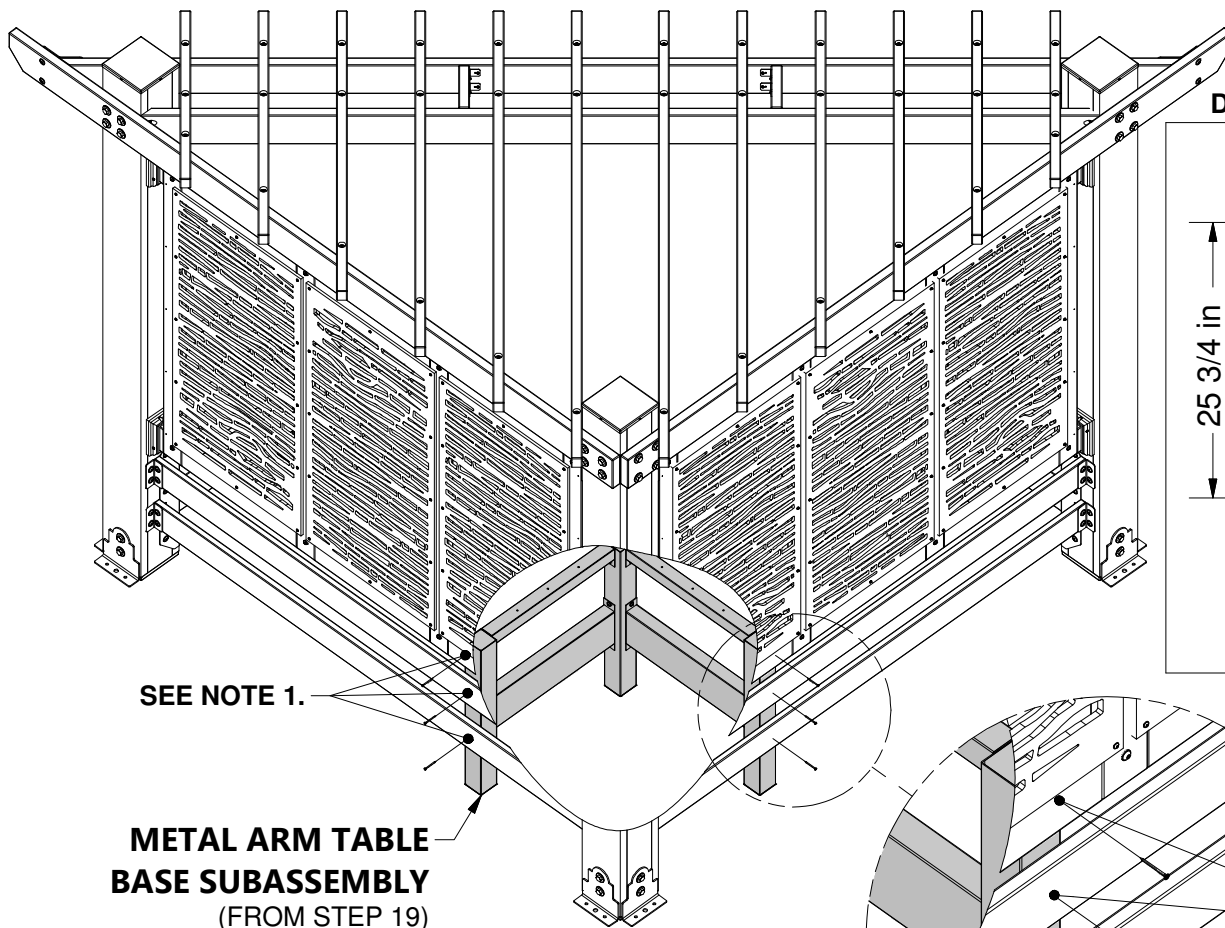




(1) METAL ARM TABLE BASE SUBASSEMBLY
(FROM STEP 19)



H100391 | SCREW PFH BLK
(6) | 8x2



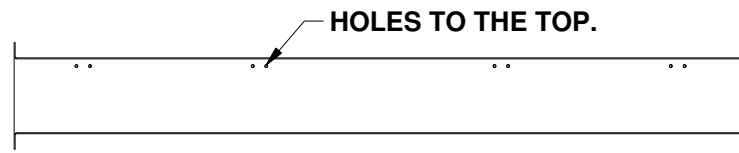
NOTE:

1. MARK & DRILL A 3/16" [5 mm] THROUGH HOLE IN DRILLING LOCATIONS.
2. USE HARDWARE SHOWN TO ATTACH METAL TABLE FRAME TO CABANA.



CABANA ASSEMBLY

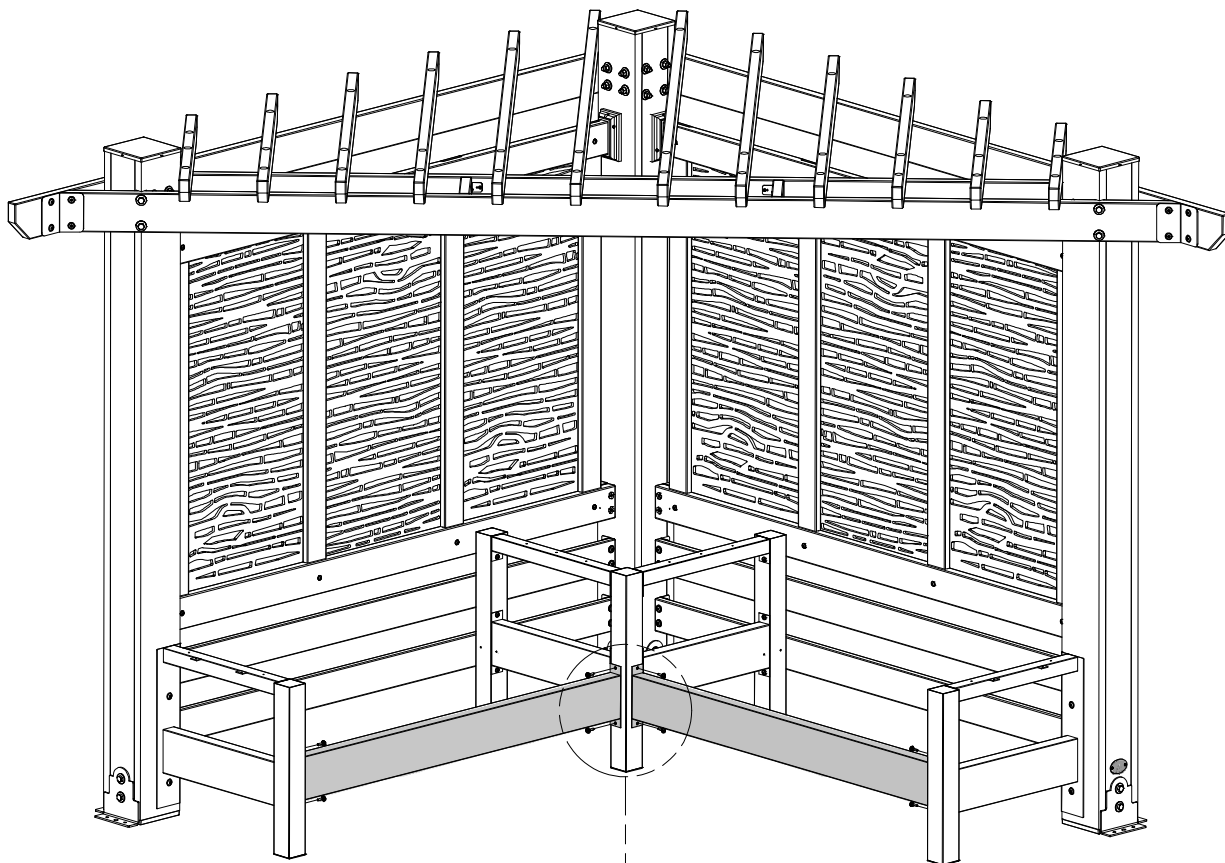
STEP 21



A4M01101 | RAIL
(2)



H100171 | BOLT WH BLK
(8) | 1/4x1



171 (x8)
BOLT - 1"

101 (x1)
RAIL

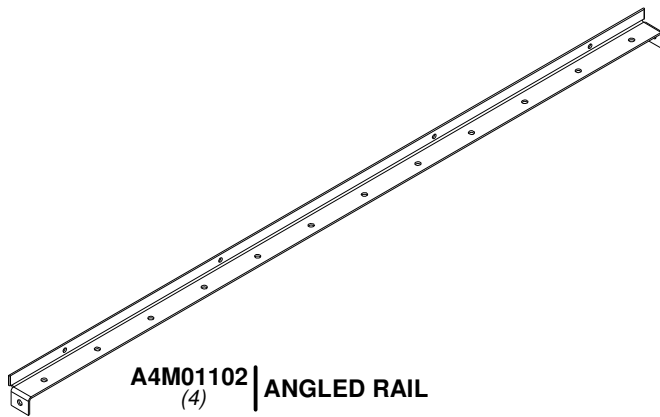
101 (x1)
RAIL



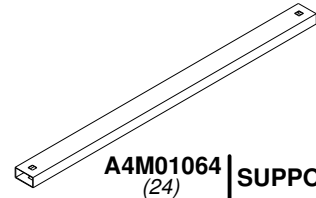


CABANA ASSEMBLY

STEP 22



A4M01102 | ANGLED RAIL
(4)



A4M01064 | SUPPORT
(24)



H100712 | BOLT CARRIAGE BLK
(48) | 5/16x1 1/2



H100770 | WASHER FLAT
(48) | 5/16 BLK

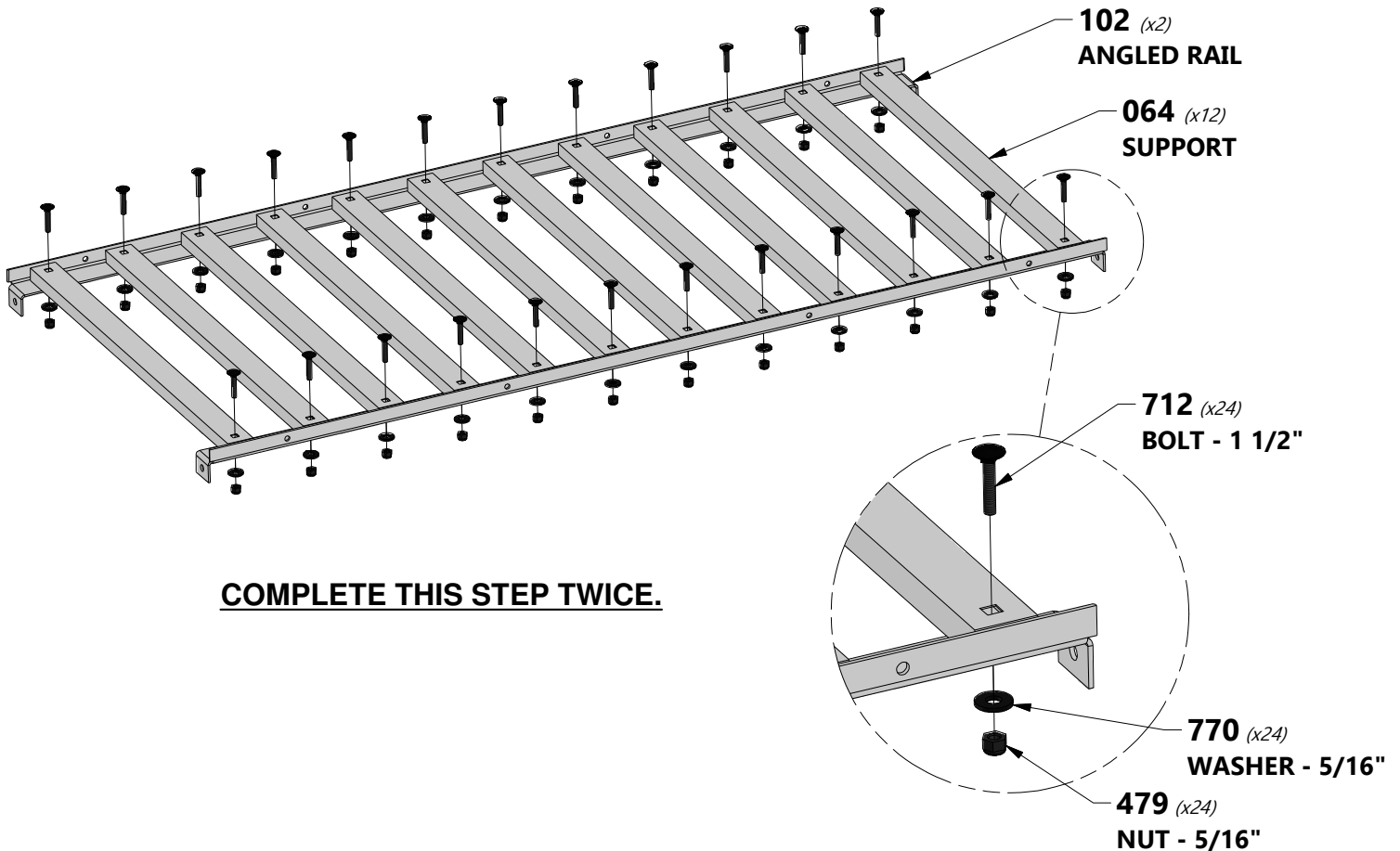


H100479 | NUT LOCK BLK
(48) | 5/16



NOTE:

LOOSELY TIGHTEN SEAT SUPPORT FRAME FOR EASIER ATTACHMENT TO METAL FRAME AND CABANA RAILS!

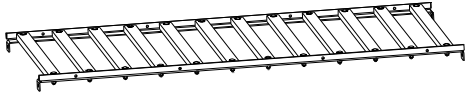


COMPLETE THIS STEP TWICE.



CABANA ASSEMBLY

STEP 23



(2) SEAT SUPPORT SUBASSEMBLY



H100171 | BOLT WH BLK
(12) | 1/4x1



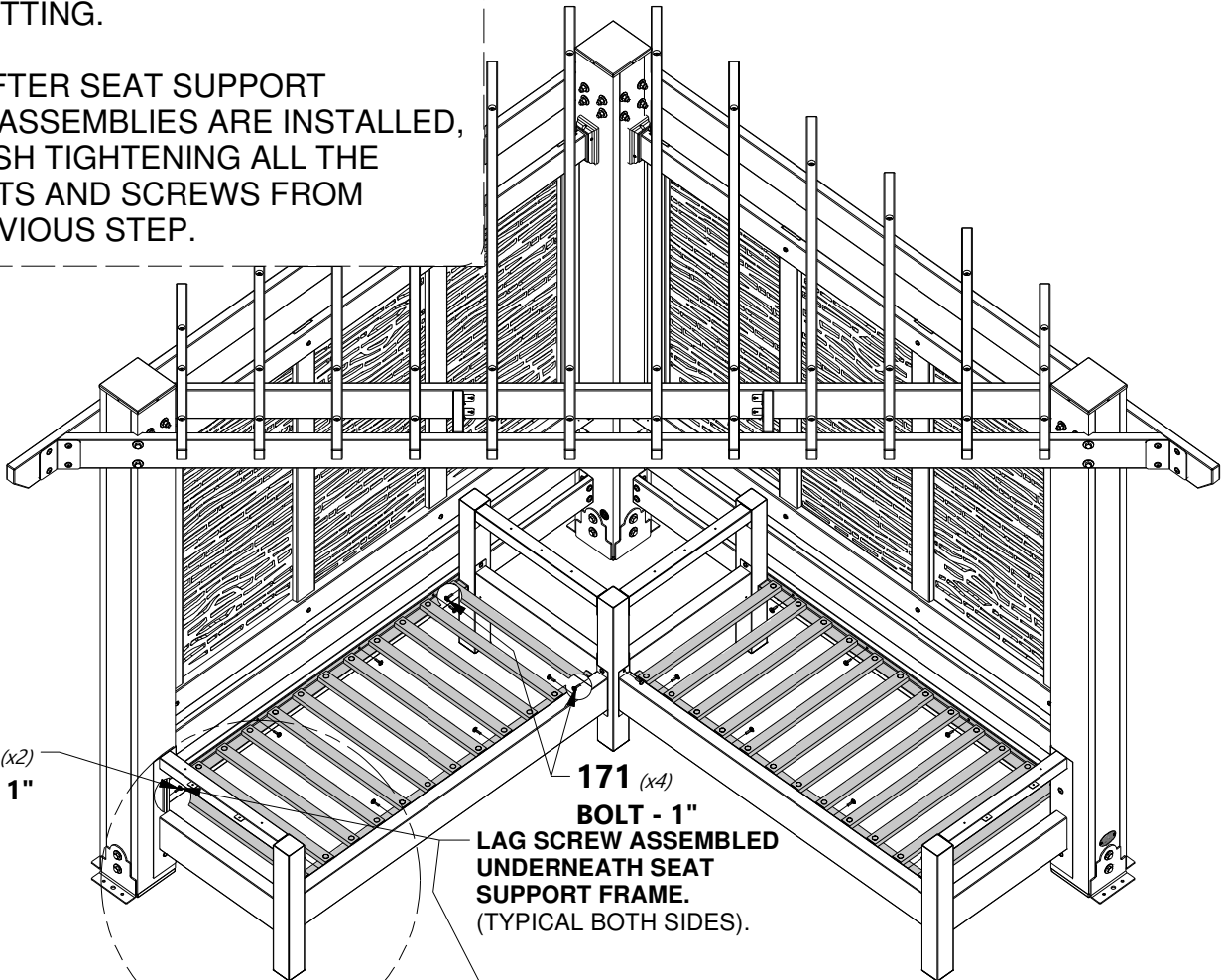
H100460 | LAG SCREW WH BLK
(10) | 1/4x1



NOTE:

1. PILOT DRILL WOOD RAILS, USING A 1/8" DRILL BIT, BEFORE INSTALL HARDWARE TO AVOID SPLITTING.

2. AFTER SEAT SUPPORT SUBASSEMBLIES ARE INSTALLED, FINISH TIGHTENING ALL THE BOLTS AND SCREWS FROM PREVIOUS STEP.



460 (x2)
LAG SCREW - 1"

171 (x4)
BOLT - 1"
LAG SCREW ASSEMBLED
UNDERNEATH SEAT
SUPPORT FRAME.
(TYPICAL BOTH SIDES).

460 (x8)
LAG SCREW - 1"
(BACK SIDE)

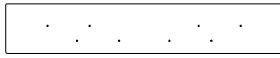
171 (x8)
BOLT - 1"
(FRONT SIDE)

REPEAT PROCESS FOR BOTH SEAT SUPPORT SUBASSEMBLIES.



CABANA ASSEMBLY

STEP 24



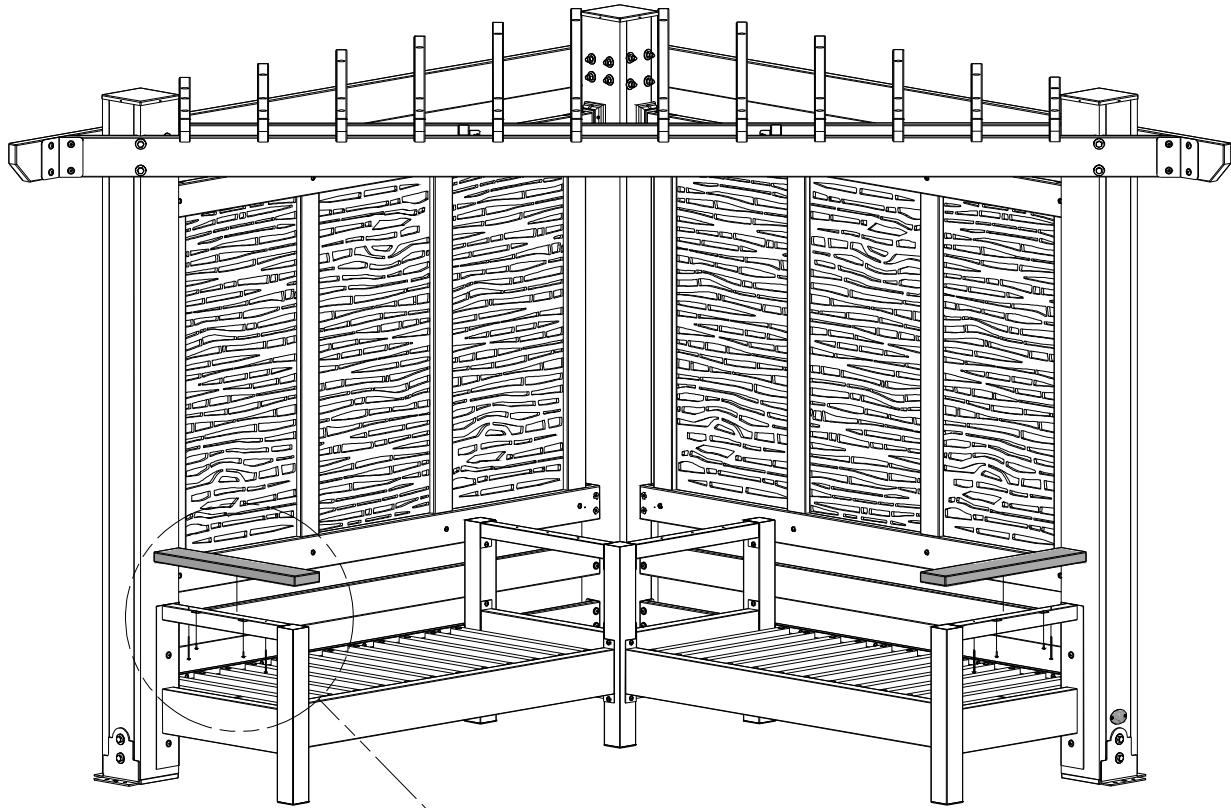
D7 | **ARM REST - W4L13038**
(2) | 1 3/8"x4 5/8"x26" (34x118x660)



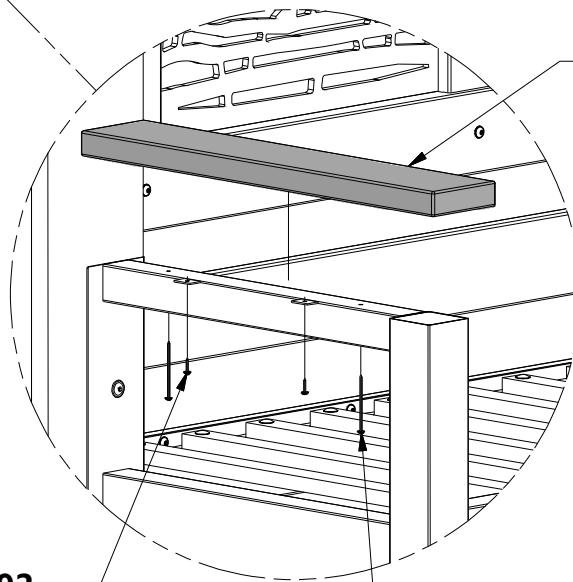
H100824 | **SCREW PWH BLK**
(4) | 8x3



H100392 | **SCREW PWH BLK**
(4) | 8x3/4



**REPEAT PROCESS FOR BOTH
ARM RESTS.**



D7 (x2)
ARM REST

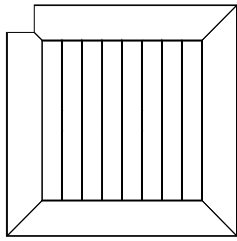
392 (x4)
SCREW - 3/4"

824 (x4)
SCREW - 3"

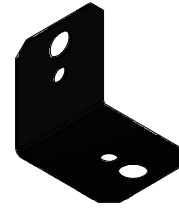


CABANA ASSEMBLY

STEP 25



TT1 | TABLE TOP - W2A02918
(1) | 1 5/16"x30 1/8"x30 1/8" (34x765x765)



A4M00555 | 90° L-BRACKET - BLK
(2)



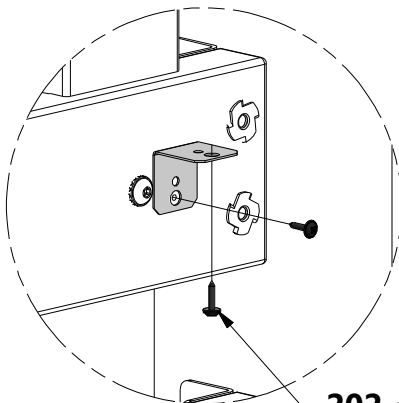
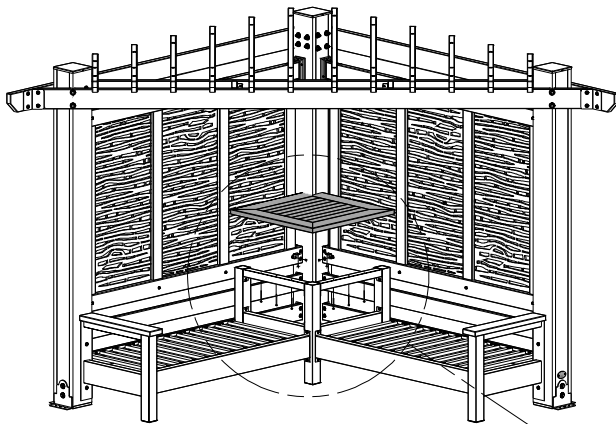
H100202 | SCREW PWH BLK
(4) | 8x5/8



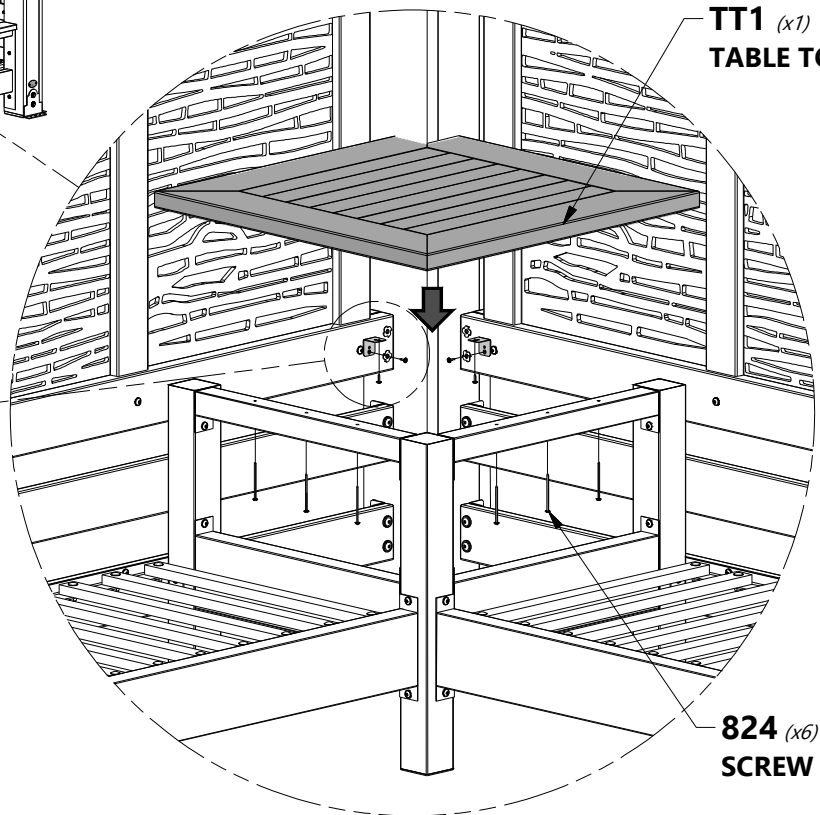
H100824 | SCREW PWH BLK
(6) | 8x3



NOTE:
ASSEMBLE REAR CORNER L-BRACKETS FIRST.



202 (x4)
SCREW - 5/8"



TT1 (x1)
TABLE TOP

824 (x6)
SCREW - 3"



ANCHORING

STEP 26



A4M00951 | GROUND STAKE 16 INCH
(6)



H100120 | SCREW CONCRETE ANCHOR
(12) | 1/4x2



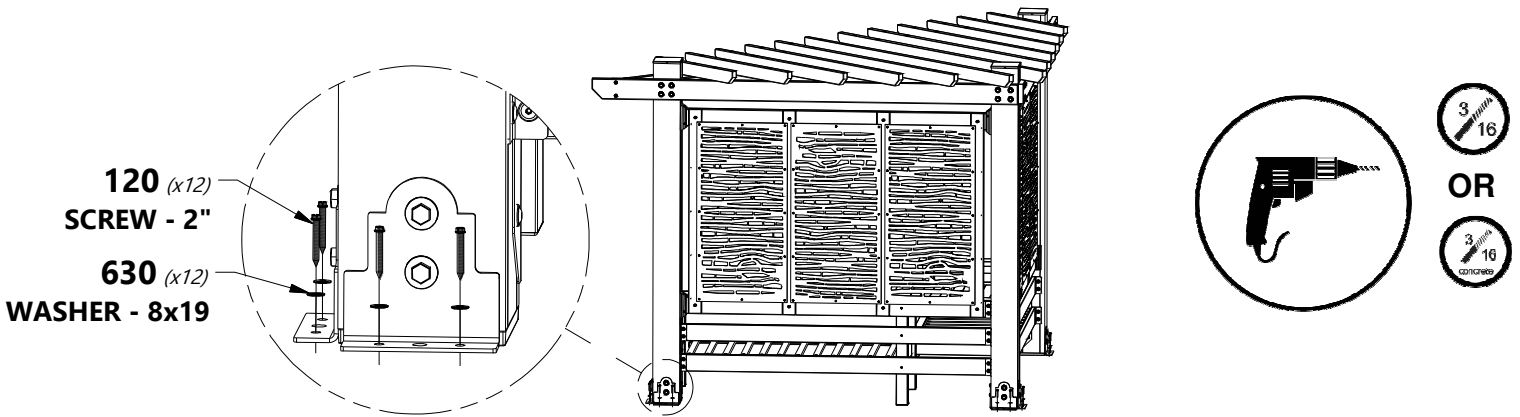
H100630 | WASHER FLAT BLK
(12) | 8x19



NOTE:

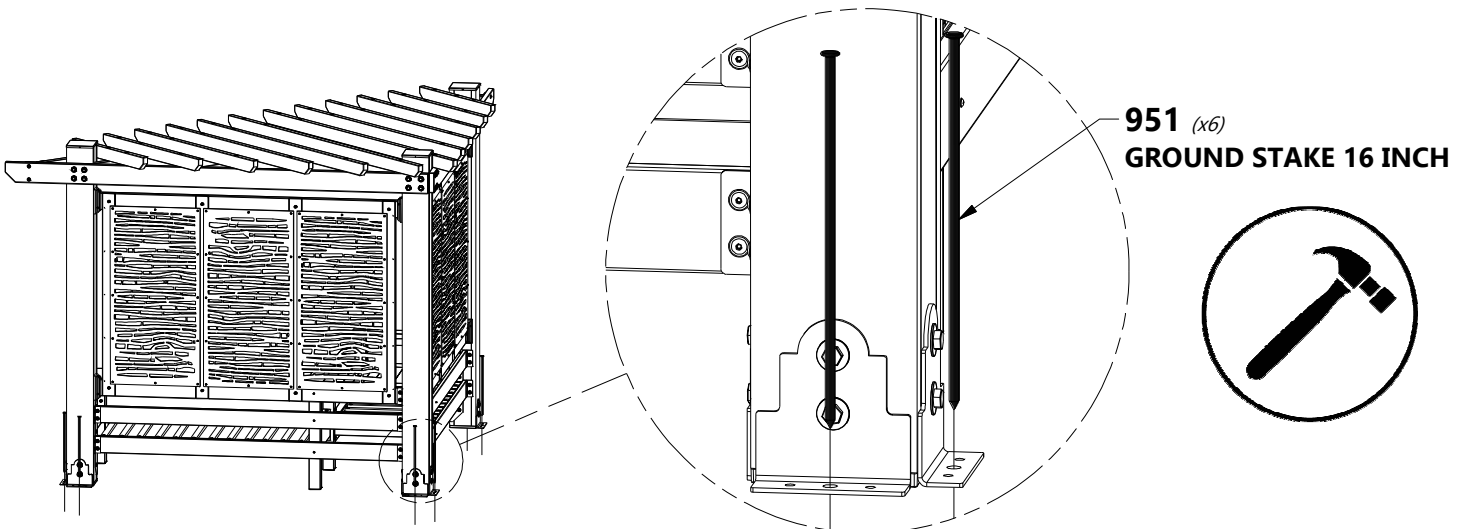
1. IF INSTALLING ON A DECK, YOU MUST ENSURE THERE IS AMPLE STRUCTURAL SUPPORT UNDER THE DECK. USING THE POST BASE BRACKET AS A TEMPLATE, DRILL 3/16" HOLES FOR HARDWARE IN LOCATIONS SHOWN BELOW.

2. FOR MOUNTING ON CONCRETE, USE THE POST BASE BRACKET AS A TEMPLATE AND DRILL HOLES USING A 3/16" CONCRETE BIT FOR HARDWARE.



NOTE:

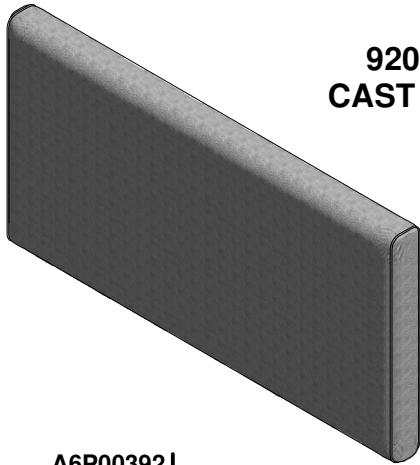
GROUND STAKES ARE USED IF LOCATING PERGOLA ON GRASS.





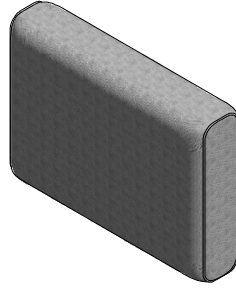
FINAL ASSEMBLY

STEP 27



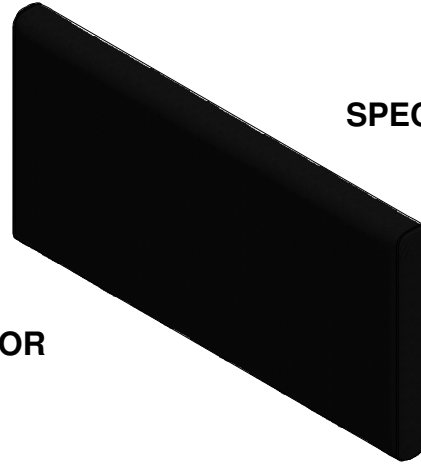
9205109
CAST SLATE

A6P00392 | SEAT CUSHION
(2)



A6P00393 | BACK CUSHION
(4)

OR



9205116
SPECTRUM INDIGO

A6P00394 | SEAT CUSHION
(2)



A6P00395 | BACK CUSHION
(4)

