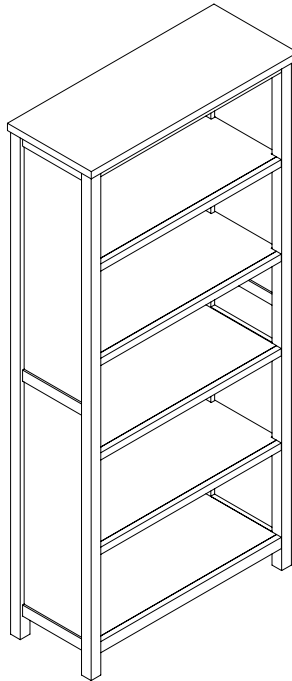


USE AND CARE GUIDE

2-TONE OPEN BOOKCASE



Questions, problems, missing parts? Before returning to the store,
call Home Decorators Collection Customer Service.
8 a.m. – 7 p.m., EST, Monday – Friday, 9 a.m. – 6 p.m., EST, Saturday

1-800-998-7021

[HOMEDEPOT.COM/HOMEDECORATORS](https://www.homedepot.com/homedecorators)

THANK YOU

We appreciate the trust and confidence you have placed in Home Decorators Collection through the purchase of this 2-tone open bookcase. We strive to continually create quality products designed to enhance your home. Visit us online to see our full line of products available for your home improvement needs. Thank you for choosing Home Decorators Collection!

Table of Contents

| | | | |
|--------------------------|---|-------------------------------|---|
| Table of Contents..... | 2 | Hardware Included..... | 3 |
| Safety Information..... | 2 | Pre-assembly (continued)..... | 4 |
| Warranty..... | 2 | Package Contents..... | 4 |
| 3 Year Warranty..... | 2 | Assembly..... | 5 |
| What is Covered..... | 2 | | |
| What is Not Covered..... | 2 | | |
| Pre-assembly..... | 3 | | |
| Planning Assembly..... | 3 | | |
| Tools Required..... | 3 | | |

Safety Information



DANGER

- Keep small parts away from children during assembly.
- Read and follow instructions carefully.



WARNING

- Read these instructions carefully and keep in a safe place.
- TO GUARANTEE THE SAFE USE OF THIS PRODUCT, FOLLOW THE WARNINGS, GUIDELINES AND RECOMMENDATIONS IN THIS MANUAL.
- Adult assembly required.
- Small parts may present choking hazard prior to assembly.
- Do not place heavy objects on the glass top.
- Some assembly may involve attaching glass or mirrors.
- Be very careful handling the glass or mirrors, as severe injury may result if the glass or mirror breaks.
- Never handle large pieces of glass or mirrors by yourself.



CAUTION

- Do not use power tools to assemble your furniture. Power tools may strip or damage parts/product.
- Do not overtighten connectors (screws, bolts, etc.). Overtightening can lead to product damage.
- Be sure to check all packing materials carefully for small parts that may have come loose inside the carton during shipment. If parts are missing, contact THE HOME DEPOT to obtain any missing parts.
- DO NOT USE SUBSTITUTE PARTS.
- This product should only be used on a flat, level surface.

Warranty

3 YEAR WARRANTY

WHAT IS COVERED

We guarantee this product to be free of manufacturing defects to the original purchaser for three years.

WHAT IS NOT COVERED

This warranty does not cover commercial use, acts of nature, and abusive use.

Pre-assembly

PLANNING ASSEMBLY

Keep children and pets away from build area. Make sure your area is large enough to unpack, sort and assemble the unit.

TOOLS REQUIRED



Small head
Phillips
screwdriver

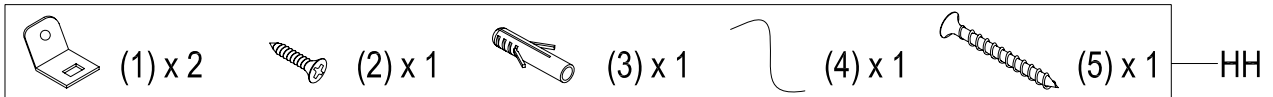
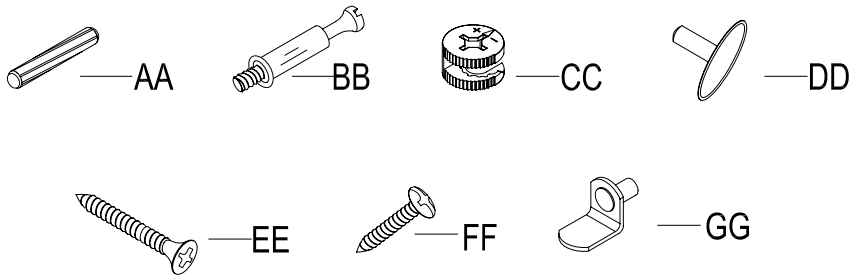


Large head
Phillips
screwdriver

HARDWARE INCLUDED



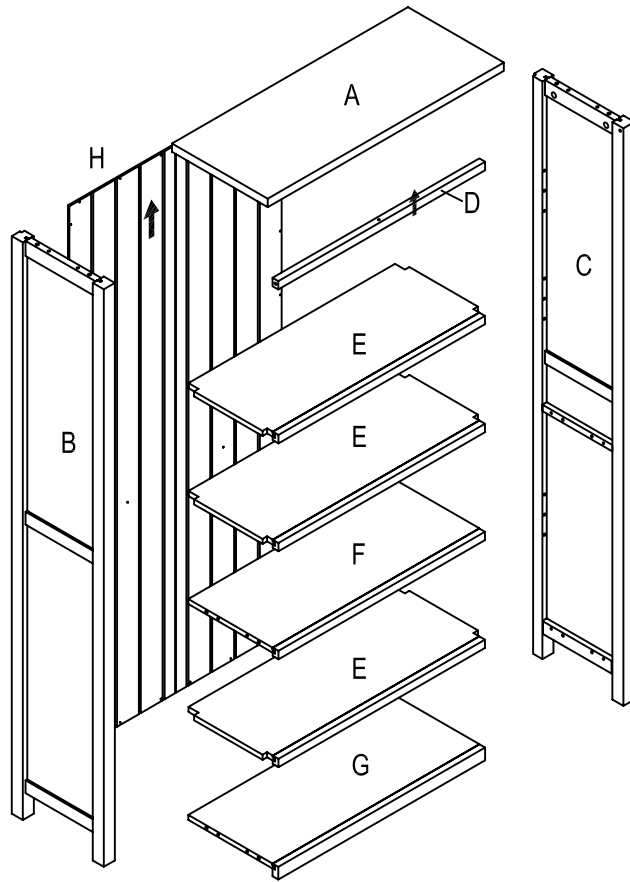
NOTE: Hardware not shown to actual size.



| Part | Description | Quantity |
|------|-------------------------------|----------|
| AA | Wood dowel | 14 |
| BB | Cam lock bolt | 12 |
| CC | Cam lock | 12 |
| DD | Plastic cover | 4 |
| EE | Flat head screw | 1 |
| FF | 5/8 in. Round head screw | 32 |
| GG | Shelf support | 12 |
| HH | Anti-tipping hardware package | 1 |

Pre-assembly (continued)

PACKAGE CONTENTS

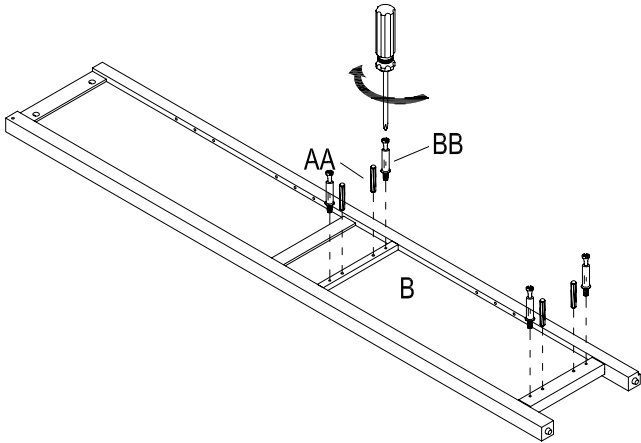


| Part | Description | Quantity |
|------|------------------|----------|
| A | Top panel | 1 |
| B | Left side panel | 1 |
| C | Right side panel | 1 |
| D | Crossbar | 1 |
| E | Adjustable shelf | 3 |
| F | Fixed panel | 1 |
| G | Bottom panel | 1 |
| H | Back panel | 1 |

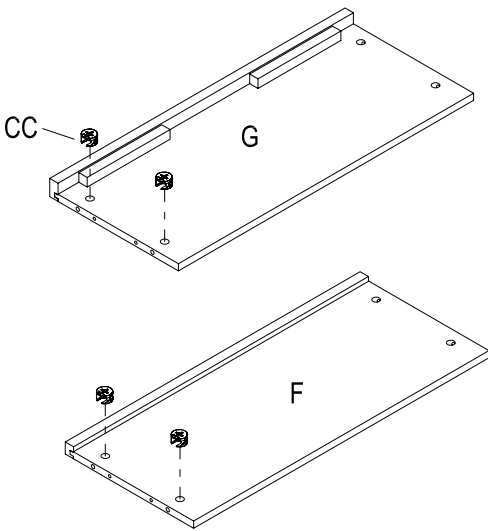
Assembly

1 Attaching the fixed panel and bottom panel to the left side panel

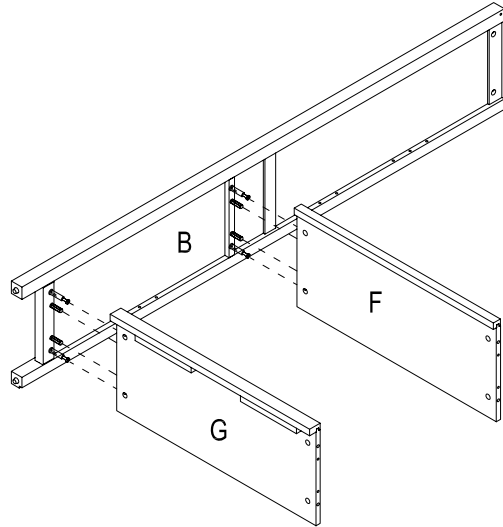
- a) Install dowel (AA) and bolt (BB) into panel (B).



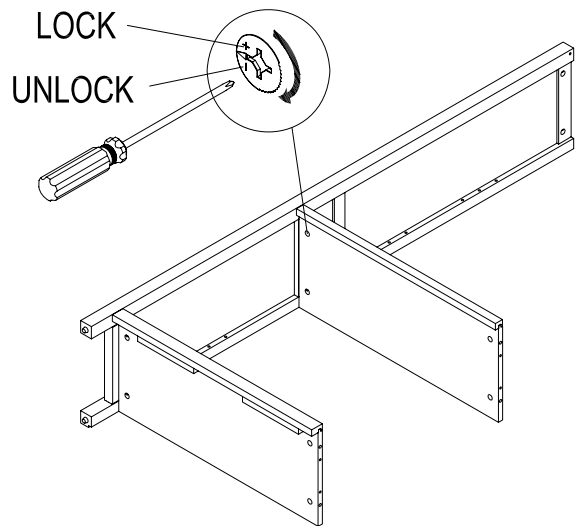
- b) Insert lock (CC) into panels (F) and (G).



- c) Join panels (F) and (G) to the panel (B) with dowel (AA).



- d) Tighten bolt (BB) with lock (CC) in the pre-drilled holes.



Wood dowel

Cam lock bolt

Cam lock

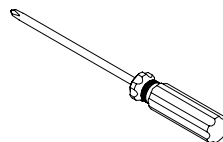
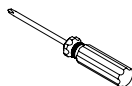
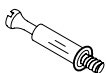
Small head

Large head

(AA) x 4

(BB) x 4

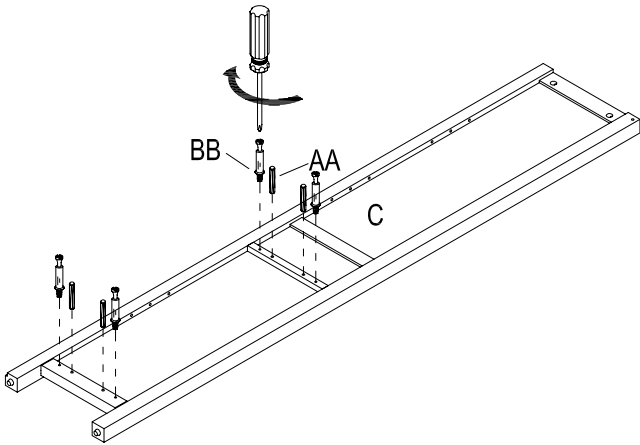
(CC) x 4



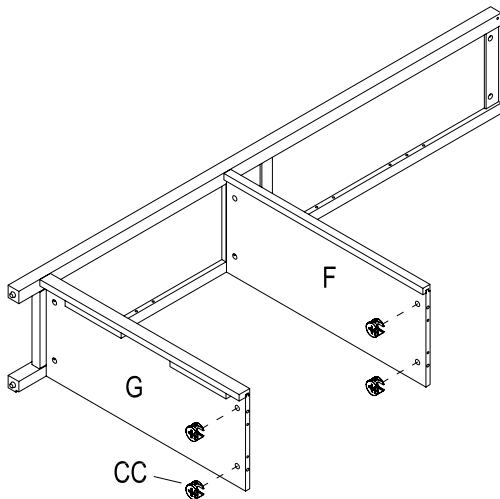
Assembly (continued)

2 Attaching the right side panel and crossbar

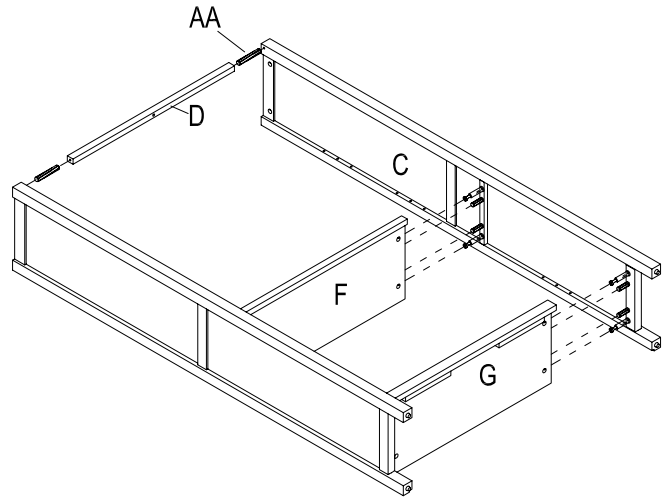
- a) Install dowel (AA) and bolt (BB) into panel (C).



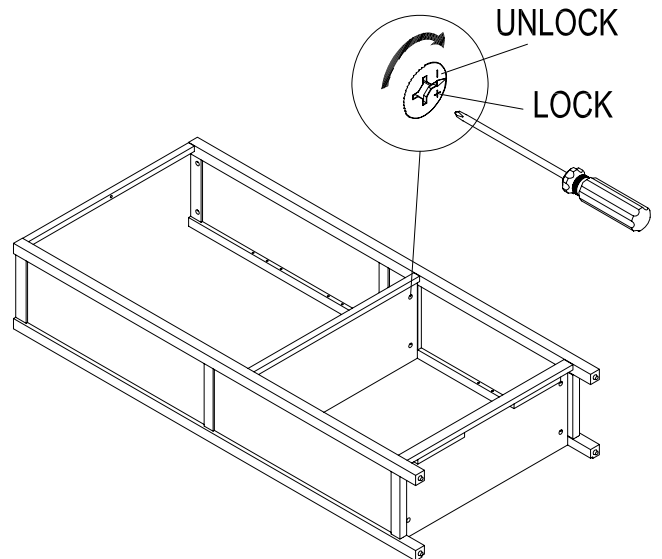
- b) Insert lock (CC) into panels (F) and (G).



- c) Join panel (C) and bar (D) to the assembled body with dowel (AA).



- d) Tighten bolt (BB) with lock (CC) in the pre-drilled holes.



Wood dowel

Cam lock bolt

Cam lock

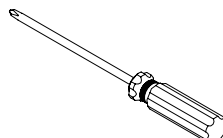
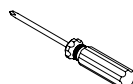
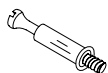
Small head

Large head

(AA) x 6

(BB) x 4

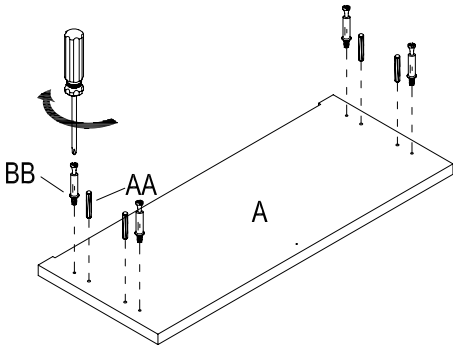
(CC) x 4



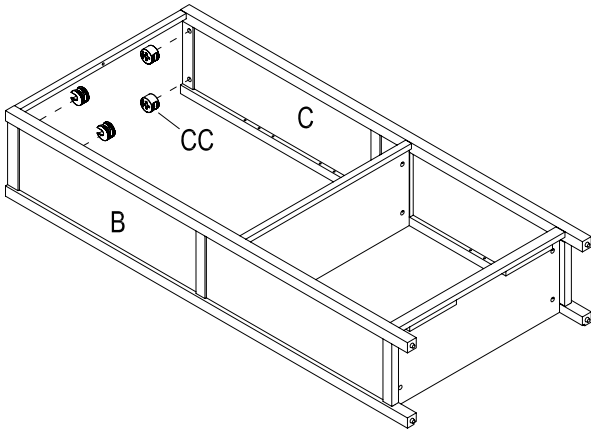
Assembly (continued)

3 Attaching the top panel

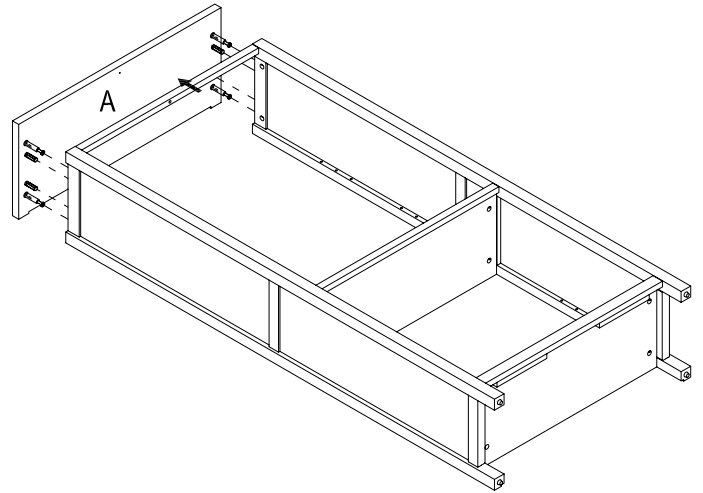
- a) Install dowel (AA) and bolt (BB) into panel (A).



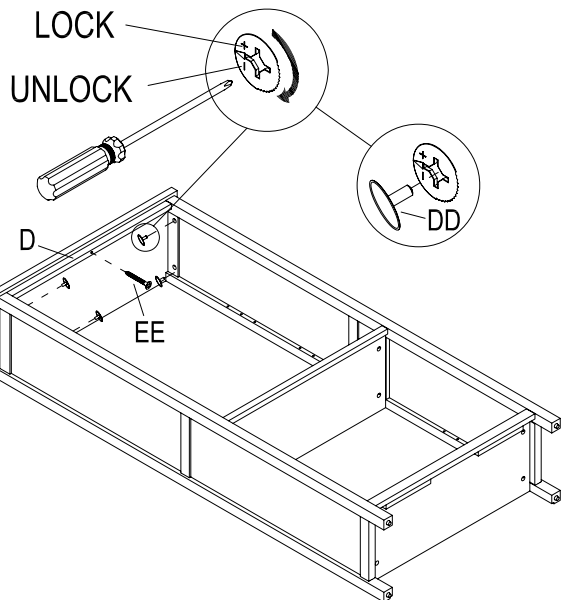
- b) Insert lock (CC) into panels (B) and (C).



- c) Join panel (A) to the assembled body with dowel (AA).



- d) Tighten bolt (BB) with lock (CC) in the pre-drilled holes. Tighten bar (D) with screw (EE).



- e) Cover the cam holes with the cover (DD).

Wood dowel Cam lock bolt Cam lock Plastic cover

(AA) x 4

(BB) x 4

(CC) x 4

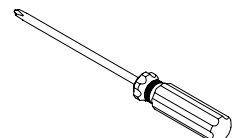
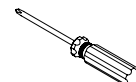
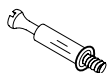
(DD) x 4

Flat head screw

(EE) x 1

Small head

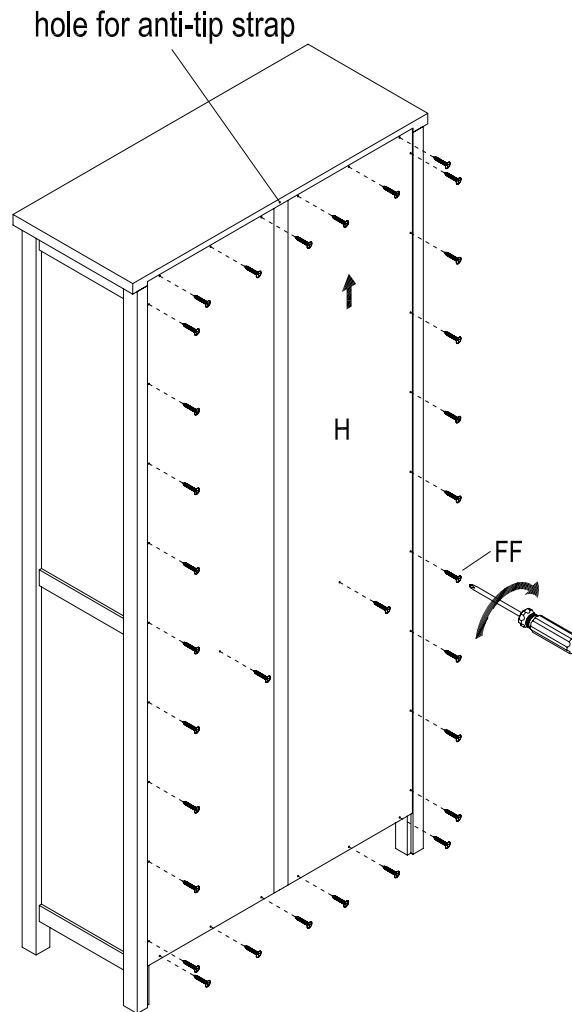
Large head



Assembly (continued)

4 Attaching the back panel

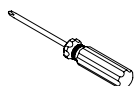
- Tighten panel (H) to the assembled body with screws (FF) as shown.



5/8 in. Round head screw

Small head

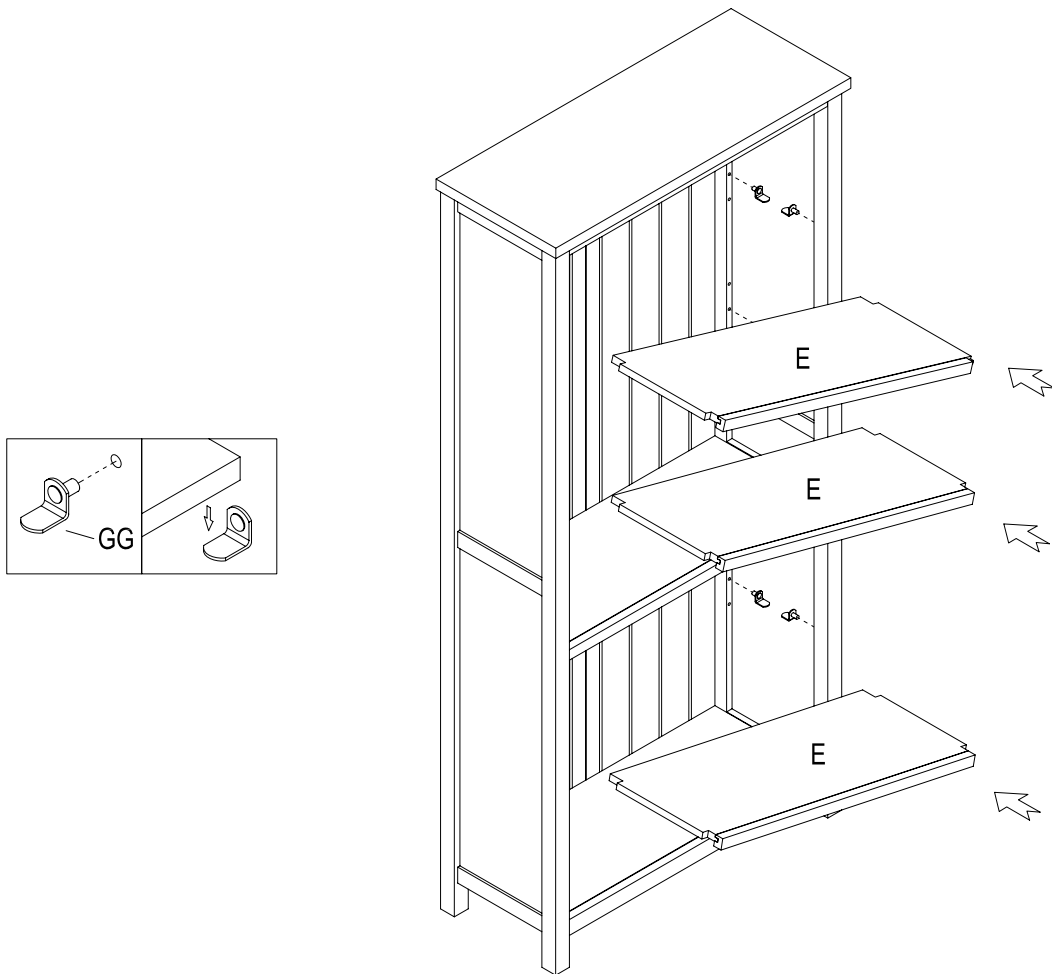
(FF) x 32



Assembly (continued)

5 Attaching the adjustable shelf

- Insert the shelf supports (GG) in desired positions and place shelf (E) on the supports.



Shelf support

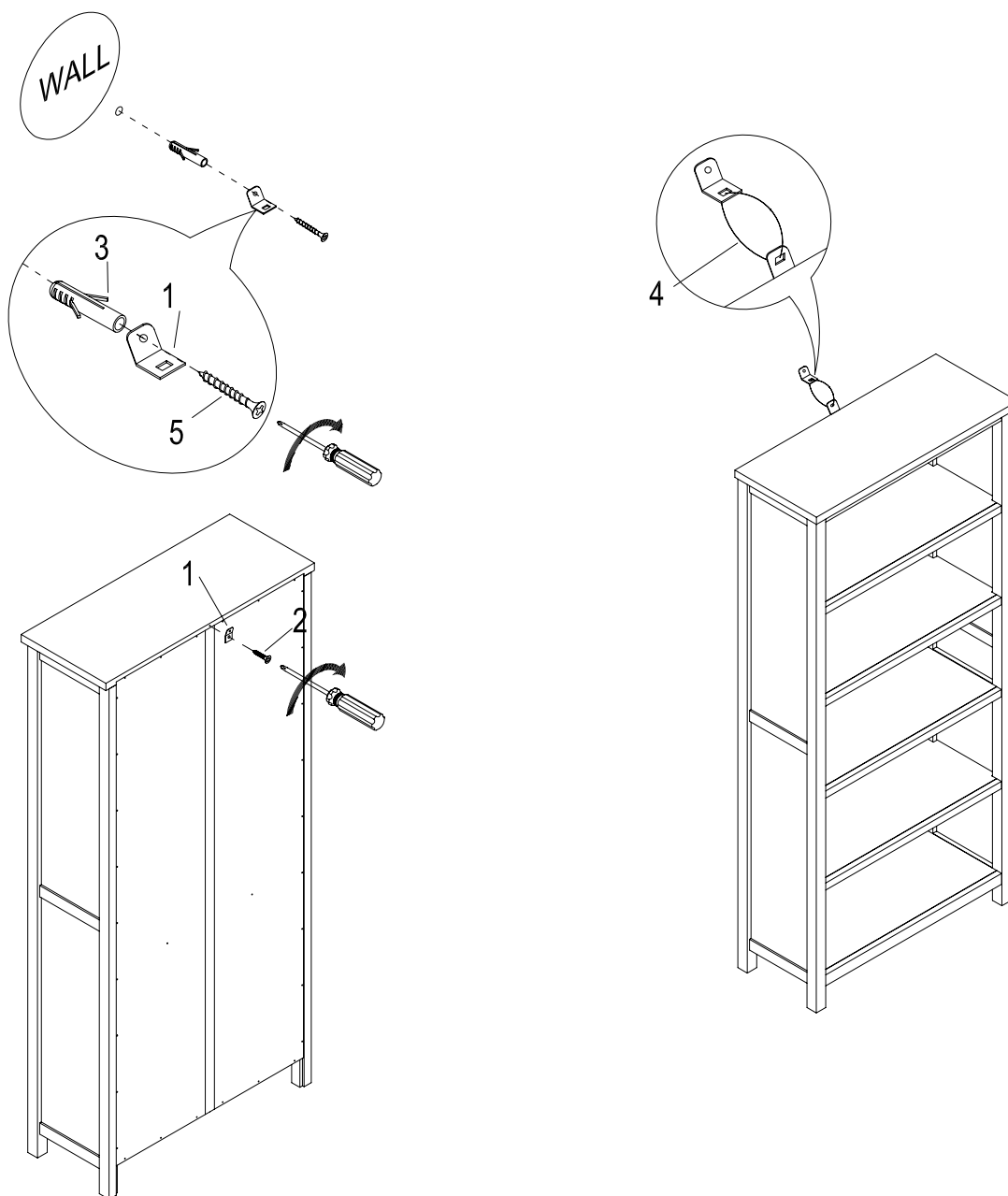
(GG) x 12





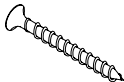
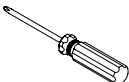


Assembly (continued)

6 Finalizing the assembly

- Install the anti-tipping hardware as shown.



| | | | | | |
|---|---|---|---|--|--|
| Rectangle metal plate (1) x 2 | 1/2 in. Flat head screw (2) x 1 | Plastic anchor (3) x 1 | Plastic band (4) x 1 | 1-1/2 in. Flat head screw (5) x 1 | Small head |
|  |  |  |  |  | — HH  |

HOME
DECORATORS
COLLECTION®

Questions, problems, missing parts?
Before returning to the store, call Home Decorators Collection Customer Service.
8 a.m. – 7 p.m., EST, Monday – Friday, 9 a.m. – 6 p.m., EST, Saturday

1-800-998-7021

[HOMEDEPOT.COM/HOMEDECORATORS](https://www.homedepot.com/homedecorators)

Retain this manual for future use.