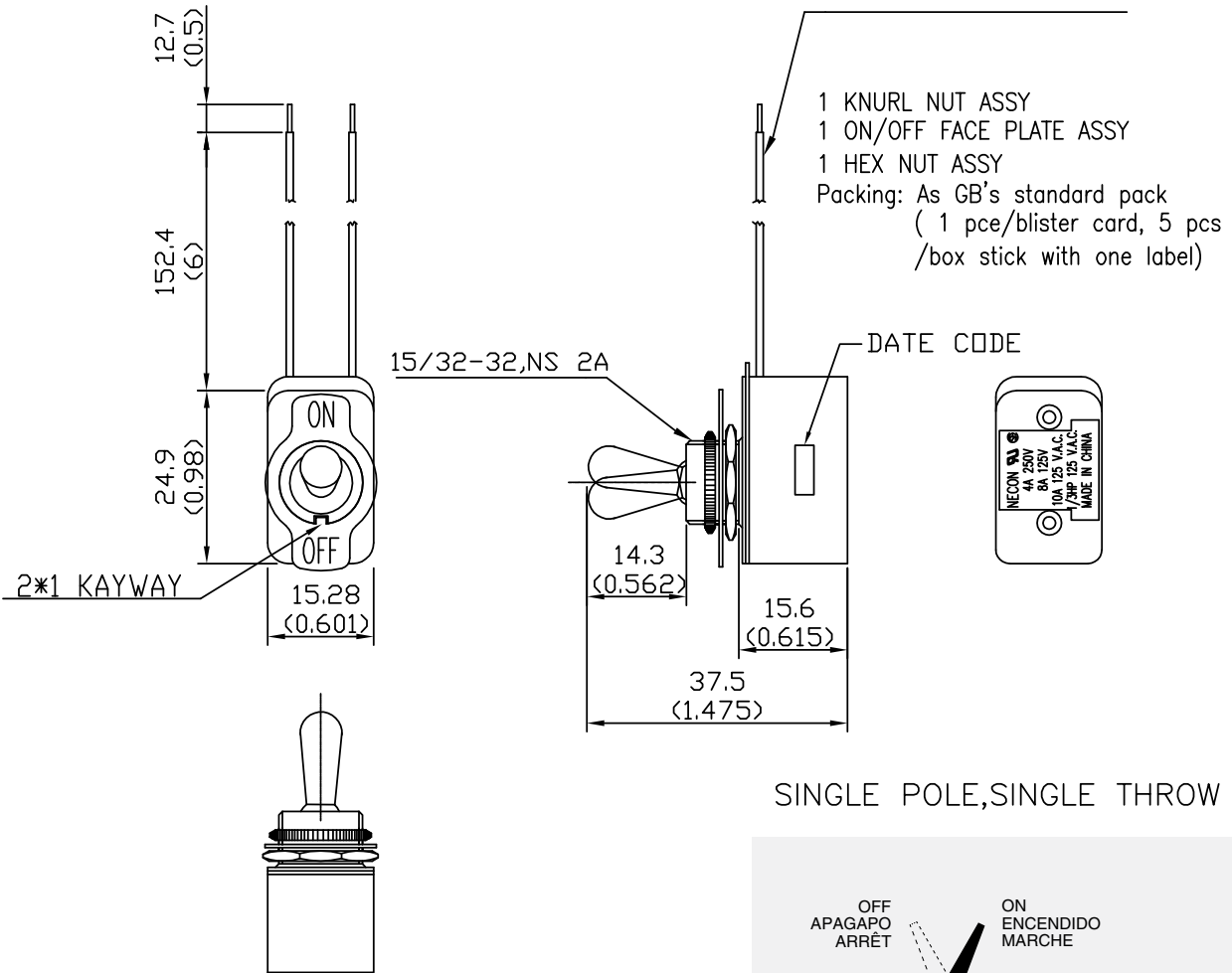


| | | | | |
|----------------------------|--|--|--------------------------|-----------|
| Rating | 4A 250V, 8A 125V 10A 125V.A.C., 1/3HP 125V.A.C. | | Circuit Structure | |
| Contact R | 50m ohm Max. | | OFF | |
| Insulation R | DC 500V 100M ohm Min. | | | ON |
| Dielectric Strength | AC 1500V 1 minute | | | |
| Circuit | 2P SPST ON-OFF | | | |

1. RECOGNIZED.

STRANDED BARE COPPER
WIRE 18 AWG 105°C
UL & CSA. AWM #1015



SINGLE POLE, SINGLE THROW

