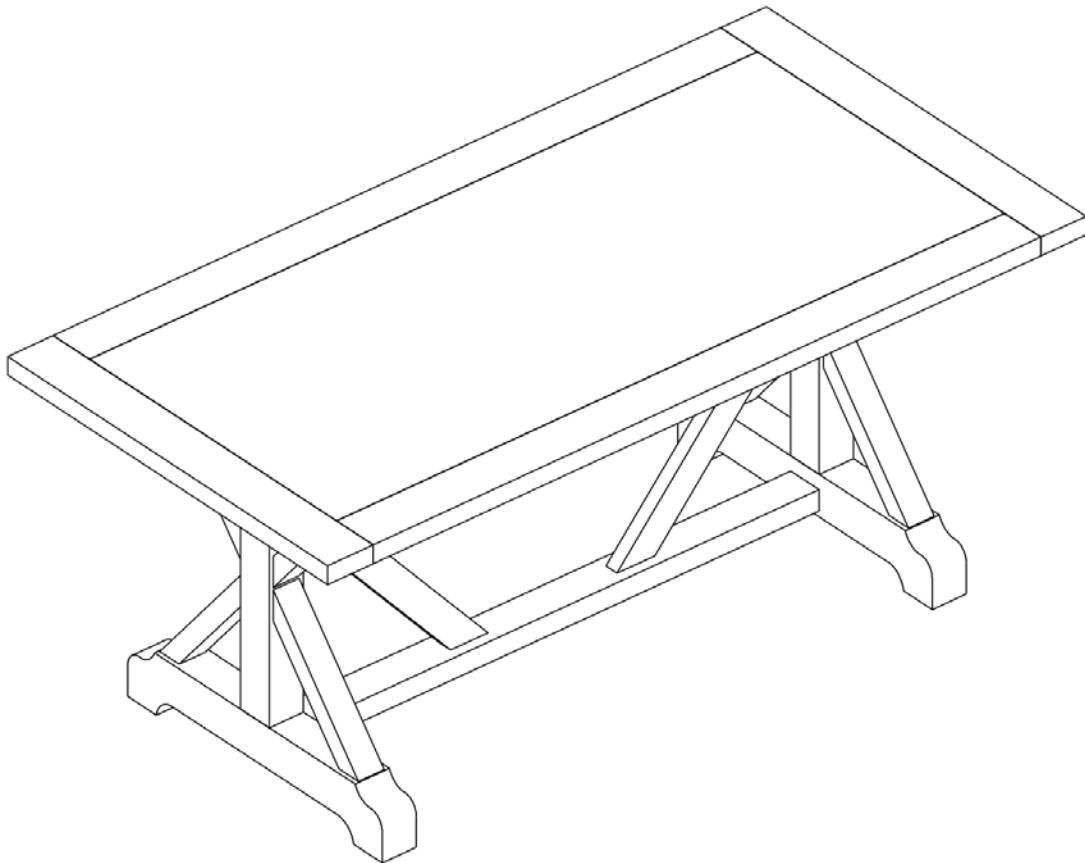


# USE AND CARE GUIDE

---

## X-BASE RECTANGULAR DINING TABLE



Questions, problems, missing parts? Before returning to the store,  
call Home Decorators Collection Customer Service.  
8 a.m. - 7 p.m., EST, Monday - Friday, 9 a.m. - 6 p.m., EST, Saturday

**1-800-998-7021**

**[HOMEDEPOT.COM/HOMEDECORATORS](http://HOMEDEPOT.COM/HOMEDECORATORS)**

---

**THANK YOU**

*We appreciate the trust and confidence you have placed in Home Decorators Collection through the purchase of this X-BASE RECTANGULAR DINING TABLE. We strive to continually create quality products designed to enhance your home. Visit us online to see our full line of products available for your home improvement needs. Thank you for choosing Home Decorators Collection!*

# Table of Contents

Table of Contents .....	2	Pre-assembly (continued).....	4
Safety Information.....	2	Package Contents .....	4
Warranty .....	2	Assembly .....	5
3 Year Warranty .....	2	Assembly (Continued) .....	6
What is Covered .....	2	Maintenance .....	7
What is Not Covered .....	2	Care and Cleaning .....	7
Pre-assembly .....	3		
Planning Assembly .....	3		
Hardware Included .....	3		

# Safety Information



## DANGER

- Keep small parts away from children during assembly.
- Read and follow instructions carefully.



## WARNING

- Read these instructions carefully and keep in a safe place.
- TO GUARANTEE THE SAFE USE OF THIS PRODUCT, FOLLOW THE WARNINGS, GUIDELINES AND RECOMMENDATIONS IN THIS MANUAL.
- Adult assembly required.
- Small parts may present choking hazard prior to assembly.



## CAUTION

- Do not use power tools to assemble your furniture. Power tools may strip or damage parts/product.
- Do not overtighten connectors (screws, bolts, etc.). Overtightening can lead to product damage.
- Be sure to check all packing materials carefully for small parts that may have come loose inside the carton during shipment. If parts are missing, contact THE HOME DEPOT to obtain any missing parts.
- DO NOT USE SUBSTITUTE PARTS.
- This product should only be used on a flat, level surface.
- Some assembly may involve attaching glass or mirrors.
- Be very careful handling the glass or mirrors, as severe injury may result if the glass or mirror breaks.
- Never handle large pieces of glass or mirrors by yourself.
- Assembly requires two people; assembly alone may cause injury.

# Warranty

## 3 YEAR WARRANTY

### WHAT IS COVERED

We guarantee this product to be free of manufacturing defects to the original purchaser for three years.

### WHAT IS NOT COVERED


This warranty does not cover commercial use, acts of nature, and abusive use.

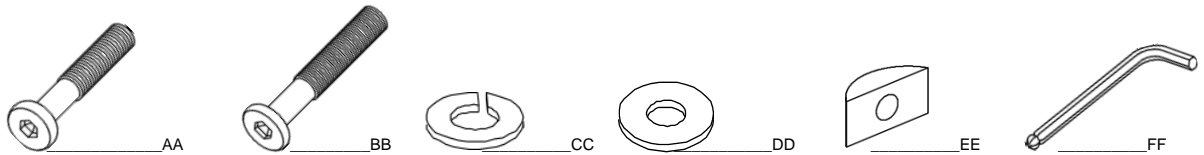
# Pre-assembly

## PLANNING ASSEMBLY

Before you begin assembly, locate the instructions and hardware. Take out all the parts and compare them to the diagrams below. Be sure you have all the parts and can identify them.

## HARDWARE INCLUDED

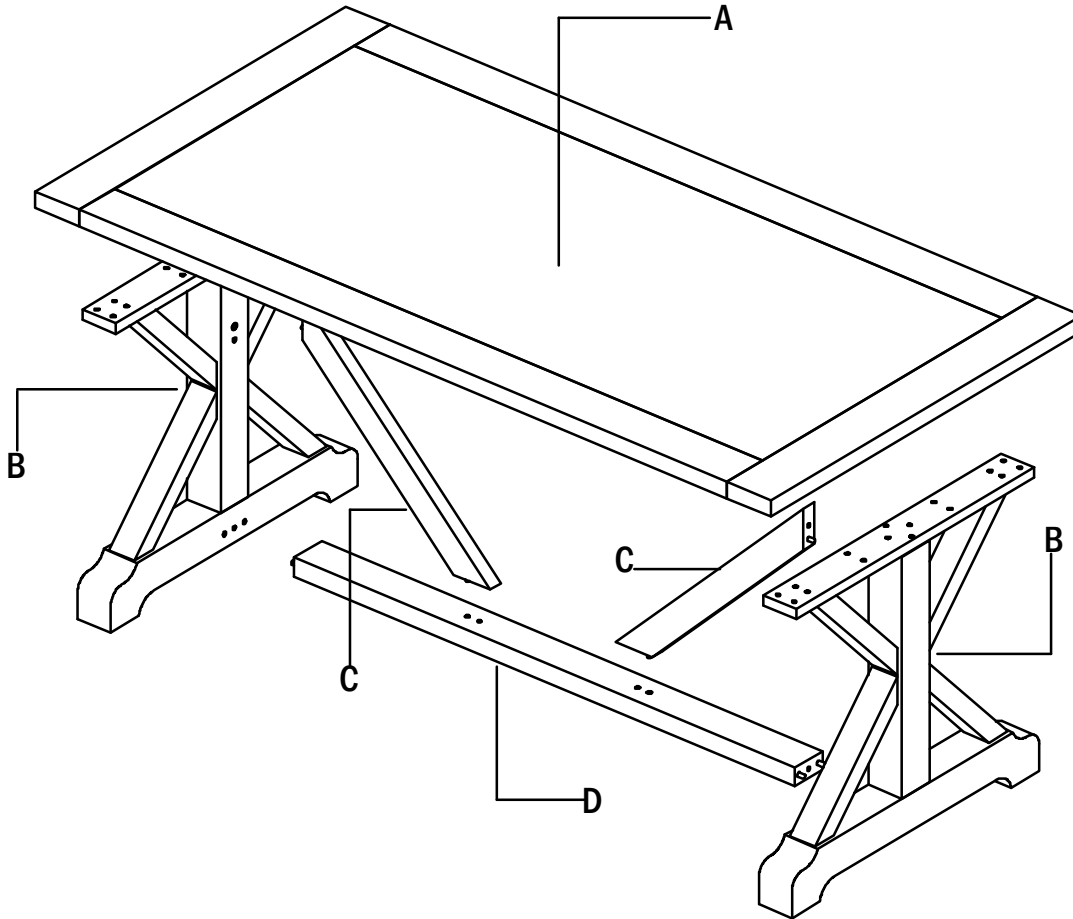
 **NOTE:** Hardware not shown to actual size.



Part	THD Table Header, 10 pt.	Quantity
AA	Screw	18
BB	Long Screw	4
CC	Spring Washer	16
DD	Flat Washer	16
EE	Halfmoon Washer	2
FF	Allen Key	1

# Pre-assembly (continued)

## PACKAGE CONTENTS

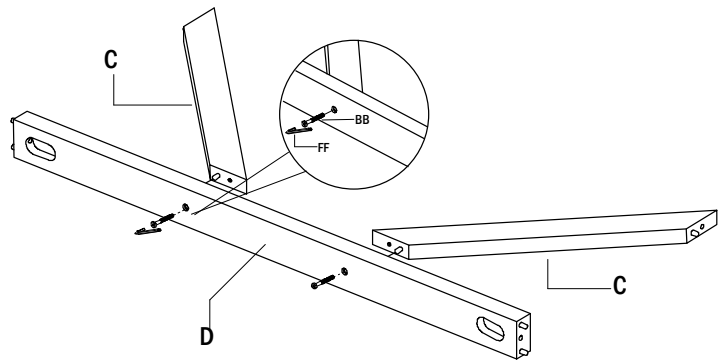


Part	THD Table Header, 10 pt.	Quantity
A	Table Top	1
B	Leg	2
C	Stretcher	2
D	Bottom Stretcher	1

# Assembly

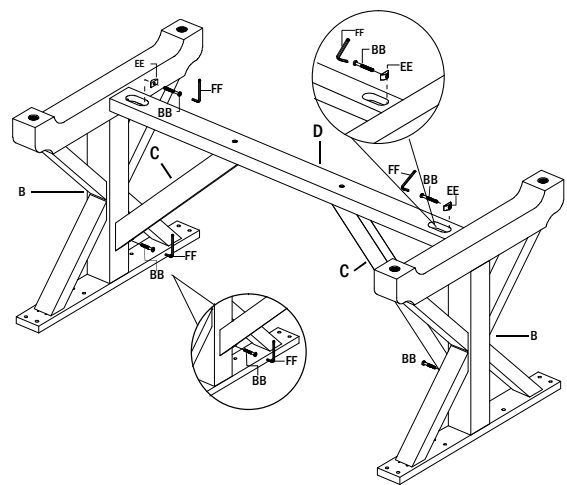
## 1 Attaching the stretchers

- Attach two stretchers (C) to the Bottom stretchers (D).
- Using two pcs of Screw (BB). Tighten with Allen Key (FF) to assembly all the parts together.



## 2 Attaching the Legs

- Turn the legs (B) upside down as illustrated.
- Make sure to align the holes in the Leg (B), Bottom stretcher (D) and Stretchers (C).
- Secure the Leg (B) in place using 2 long screws (BB) and 2 pcs of Halfmoon washer (EE) with the Allen key (EE).
- For stretchers (C) using two of Screws (BB) with the Allen key (EE).

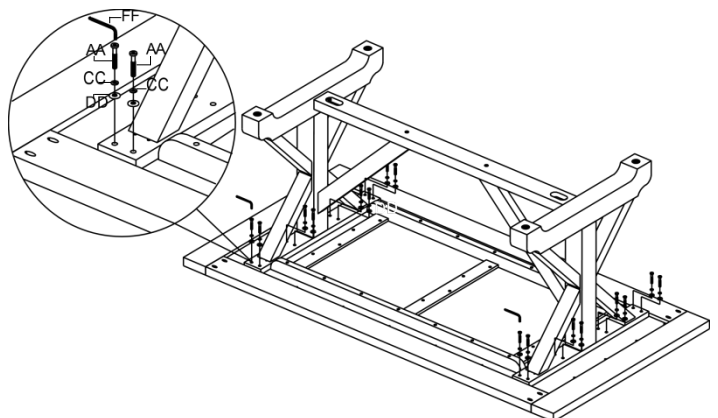


## 3 Assembling the Table Top

- Flip the table top (A) upside down.
- Place the assembly leg on top of table top (A)
- Align the holes in Leg (B) to the holes in Table Top(A).
- Secure in place using sixteen short screws (AA), sixteen Spring washers (CC), and sixteen Flat washers (DD).
- Tighten all screws with the Allen key (FF).



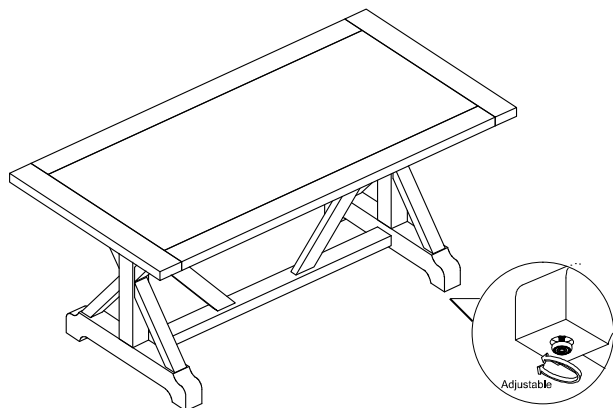
**NOTE:** Before placing the table top upside down on the floor, please check to make sure that there are no hard objects that will scratch or damage the table top or put packaging carton on the floor as for protection.



## Assembly (Continued)

### 4 Leveling the table

- Use the adjustable feet at the bottom of the table to level the table on an uneven floor.



## Maintenance

---

- To ensure the safety of your furniture, regularly check all the connecting screws, bolts and hardware making sure they are tight. Care should be taken that no screws are loose.
- Screws and bolts should be tightened every four to six months to ensure furniture remains stable.

## Care and Cleaning

---

- Always wipe your furniture with a dry cloth, after cleaning it with a damp cloth.
- If you spill any liquid, you should always wipe it off as quickly as possible.
- Always use hot pads/mats under hot and/or damp objects.
- In order to maintain the color of the wood, you should avoid direct sunlight as much as possible.
- Keep your furniture away from heaters and radiators.
- When moving your furniture do not drag, always lift and place in position.

**HOME**  
**DECORATORS**  
COLLECTION®

Questions, problems, missing parts?  
Before returning to the store, call Home Decorators Collection Customer Service.  
8 a.m. – 7 p.m., EST, Monday – Friday, 9 a.m. – 6 p.m., EST, Saturday

**1-800-998-7021**

**[HOMEDEPOT.COM/HOMEDECORATORS](http://HOMEDEPOT.COM/HOMEDECORATORS)**

Retain this manual for future use.