

School House 1LT Ceiling Mount

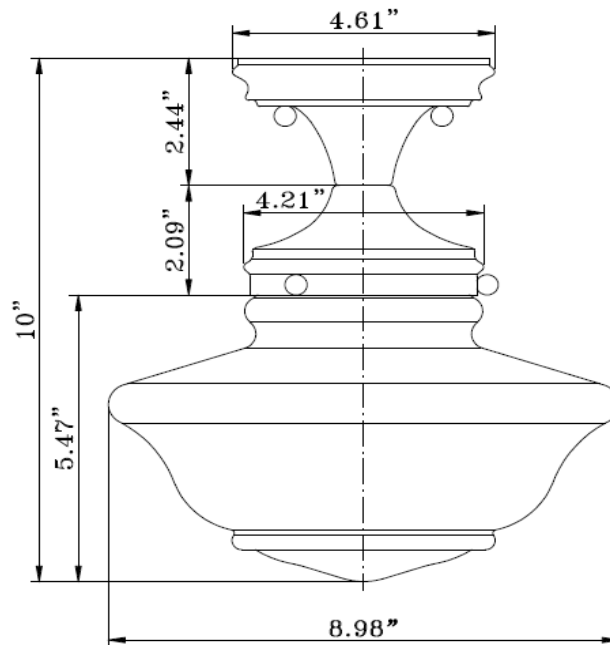


Specifications

Material Construction:	Formed Steel
Lens:	Opal white glass
Lens Dimensions:	5.47" H x 8.98" Dia
Lamp Type & Wattage:	One 60W, medium base incandescent lamps
Mounting:	Ceiling mounted
Finish:	Satin Nickel (US15)
Voltage:	120V
Weight:	1.64 lbs
Companion Fixtures:	Ceiling mounts



Dimensions



Warranty & Compliances

Warranty	10 Year Limited Warranty
UL	ETL/cETL listed, suitable for dry locations
ADA	N/A
EnergyStar	N/A



Companion Fixtures

School House 1LT Ceiling Mount Satin Nickel	577494
School House 1LT Ceiling Mount Oil Rubbed Bronze	577502

Type:
Job:
Order Code:
Approvals: