



# Owner's Manual

B970

Belt Drive  
Garage Door Opener

**FOR RESIDENTIAL USE ONLY**

PRE-PROGRAMMED REMOTE CONTROL  
INCLUDED



TO WATCH VIDEOS GO TO:  
[tinyurl.com/lgh5x3h](http://tinyurl.com/lgh5x3h)

# CHAMBERLAIN®

Smart Garage Opener

- Please read this manual and the enclosed safety materials carefully!
- Fasten the manual near the garage door after installation.
- The door **WILL NOT CLOSE** unless the Protector System® is connected and properly aligned.
- Periodic checks of the garage door opener are required to ensure safe operation.
- The model number label is located on the left side panel of your garage door opener.
- This garage door opener is compatible with MyQ® and Security+ 2.0® accessories.
- **DO NOT** install on a one-piece door if using devices or features providing unattended close. Unattended devices and features are to be used **ONLY** with sectional doors.



## Contents

Preparation .....	2-5
Assembly .....	6-9
Installation .....	10-27
Install the Door Control .....	20-21
Install the Protector System® .....	22-25
Connect power .....	26-27
Adjustments.....	28-30
Battery Backup .....	31
MyQ® Smartphone Control .....	32
Operation.....	33-37
Using your Garage Door Opener.....	34
To Open the Door Manually .....	34
Smart Control Panel® .....	35-36
Remote Control.....	36
Homelink® .....	36
To Erase the Memory .....	37
Maintenance .....	38
Troubleshooting .....	39-40
Accessories .....	41
Warranty.....	42
Repair Parts .....	43-44

[www.chamberlain.com](http://www.chamberlain.com)  
[www.mychamberlain.com](http://www.mychamberlain.com)

# Preparation

## Safety Symbol and Signal Word Review

This garage door opener has been designed and tested to offer safe service provided it is installed, operated, maintained and tested in strict accordance with the instructions and warnings contained in this manual.

### **WARNING**

Mechanical

### **WARNING**

Electrical

### **CAUTION**



**WARNING:** This product can expose you to chemicals including lead, which are known to the State of California to cause cancer or birth defects or other reproductive harm. For more information go to [www.P65Warnings.ca.gov](http://www.P65Warnings.ca.gov).

## Unattended Operation

The Timer-to-Close (TTC) feature, the MyQ® Smartphone Control app, and MyQ® Garage Door and Gate Monitor are examples of unattended close and are to be used ONLY with sectional doors. Any device or feature that allows the door to close without being in the line of sight of the door is considered unattended close. The Timer-to-Close (TTC) feature, the MyQ® Smartphone Control, and any other MyQ® devices are to be used ONLY with sectional doors.

When you see these Safety Symbols and Signal Words on the following pages, they will alert you to the possibility of **serious injury or death** if you do not comply with the warnings that accompany them. The hazard may come from something mechanical or from electric shock. Read the warnings carefully.

When you see this Signal Word on the following pages, it will alert you to the possibility of damage to your garage door and/or the garage door opener if you do not comply with the cautionary statements that accompany it. Read them carefully.

## Check the Door

### **WARNING**

To prevent possible **SERIOUS INJURY** or **DEATH**:

- ALWAYS call a trained door systems technician if garage door binds, sticks, or is out of balance. An unbalanced garage door may NOT reverse when required.
- NEVER try to loosen, move or adjust garage door, door springs, cables, pulleys, brackets or their hardware, ALL of which are under **EXTREME** tension.
- Disable ALL locks and remove ALL ropes connected to garage door BEFORE installation and operating garage door opener to avoid entanglement.
- DO NOT install on a one-piece door if using devices or features providing unattended close. Unattended devices and features are to be used ONLY with sectional doors.

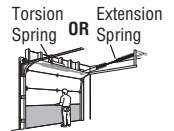
### **CAUTION**

To prevent damage to garage door and opener:

- ALWAYS disable locks BEFORE installing and operating the opener.
- ONLY operate garage door opener at 120V, 60 Hz to avoid malfunction and damage.

Before you begin:

1. Disable locks and remove any ropes connected to the garage door.
2. Lift the door halfway up. Release the door. If balanced, it should stay in place, supported entirely by its springs.
3. Raise and lower the door to check for binding or sticking. If your door binds, sticks, or is out of balance, call a trained door systems technician.
4. Check the seal on the bottom of the door. Any gap between the floor and the bottom of the door must not exceed 1/4 inch (6 mm). Otherwise, the safety reversal system may not work properly.
5. The opener should be installed above the center of the door. If there is a torsion spring or center bearing plate in the way of the header bracket, it may be installed within 4 feet (1.2 m) to the left or right of the door center. See page 11.



# Preparation

## Test the Wi-Fi® Signal Strength in your garage

You will need a router with Wi-Fi and a smartphone or other mobile device. Make sure your mobile device is connected to your Wi-Fi network. Hold your mobile device in the place where your garage door opener will be installed and check the Wi-Fi signal strength.



### Check Signal Strength. If you see:



**Wi-Fi signal is strong. You're all set!**  
Install your new garage door opener.



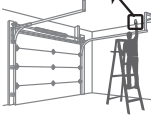
### Wi-Fi signal is weak.

The garage door opener will *likely* connect to your Wi-Fi network. If not, try one of the options below.



### No Wi-Fi signal. Try one of the following:

- Move your router closer to the garage door opener to minimize interference from walls and other objects
- Buy a Wi-Fi range extender
- Buy a Chamberlain MyQ® Internet Gateway (CIGBU) see page 41



Visit [wifihelp.chamberlain.com](http://wifihelp.chamberlain.com) for more details

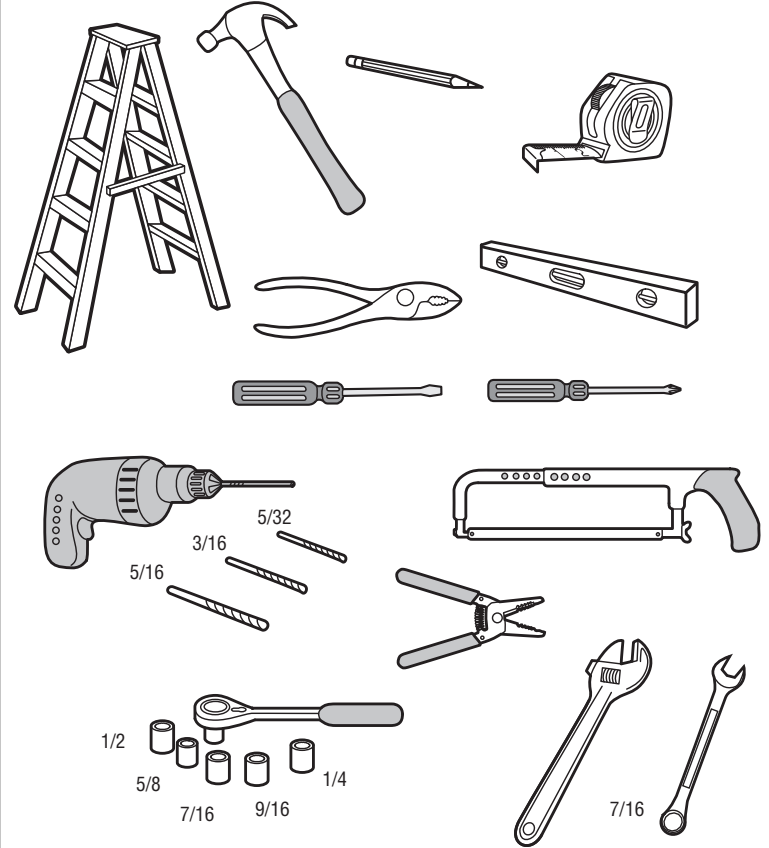
See MyQ® Smartphone Control page 32 to connect your garage door opener to your Wi-Fi network.

## Additional Items You May Need:

Survey your garage area to see if you will need any of the following items:

- **(2) 2X4 Pieces of wood** : May be used to fasten the header bracket to the structural supports. Also used to position the garage door opener during installation and for testing the safety reversing sensors.
- **Support bracket and fastening hardware**: Must be used if you have a finished ceiling in your garage.
- **Extension brackets (MODEL 041A5281-1) or wood blocks**: Depending upon garage construction, extension brackets or wood blocks may be needed to install the safety reversing sensor.
- **Fastening hardware**: Alternate floor mounting of the safety reversing sensor will require hardware not provided.
- **Door reinforcement**: Required if you have a lightweight steel, aluminum, fiberglass or glass panel door.
- **Rail extension kit**: Required if your garage door is more than 7 feet (2.13 m) high.

## Tools Needed



# Preparation

## Carton Inventory

Save the carton and packing material until the installation and adjustment is complete. Instructions for the accessories will be attached to the accessory and are not included in this manual. The images throughout this manual are for reference only and your product may look different.

Model	Power	Door Control	Remote Control	Wireless Keypad
B970	Max Lift Power System™	Smart Control Panel®	3-button (2)	✓

- A. Header bracket
- B. Pulley
- C. Door bracket
- D. Curved door arm
- E. Straight door arm  
(Packaged inside front rail section)
- F. Trolley

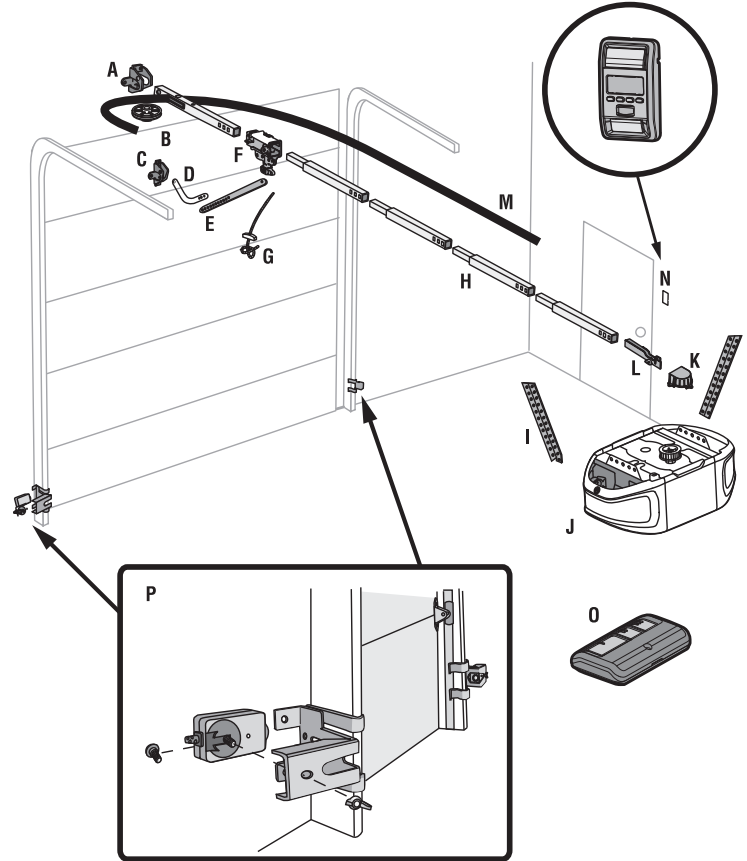
**NOTE:** Be sure to assemble the trolley before sliding onto rail.

- G. Emergency release rope and handle
- H. Rail (1 front and 4 center sections)
- I. Hanging brackets (2)  
(Packaged inside the front rail section)
- J. Garage door opener (motor unit)
- K. Sprocket cover and screws
- L. "U" bracket
- M. Belt
- N. Door Control
- O. Remote control
- P. **The Protector System®**

Safety reversing sensors with 2 conductor white and white/black wire attached: Sending Sensor (1), Receiving Sensor (1), and Safety Sensor Brackets (2)

## NOT SHOWN

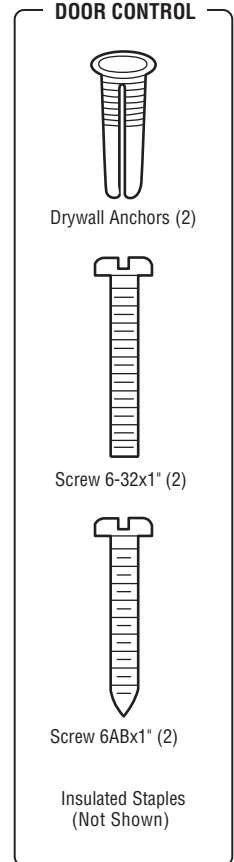
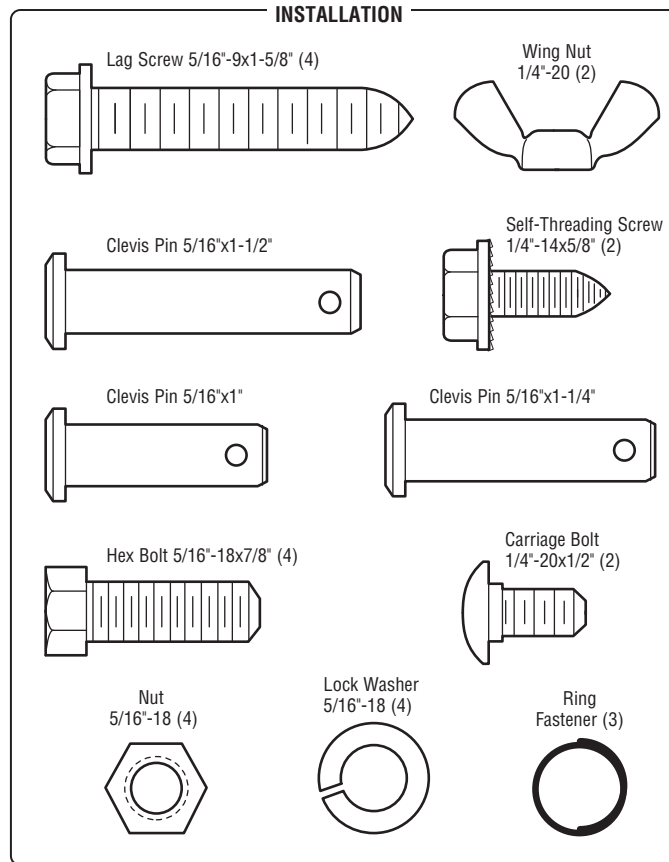
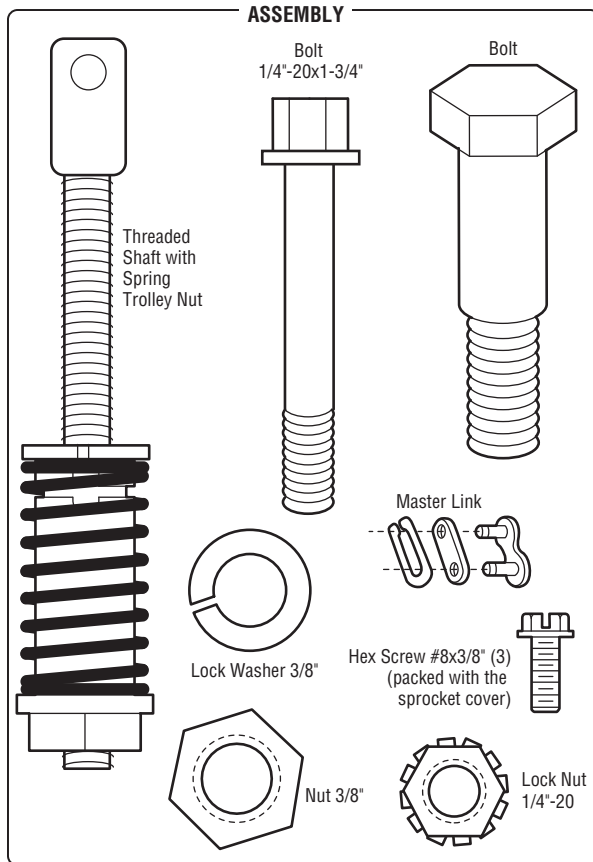
- Wireless keypad
- White and red/white wire
- Owner's manual
- Hardware





# Preparation

## Hardware



# Assembly

## STEP 1 Assemble the rail and install the trolley

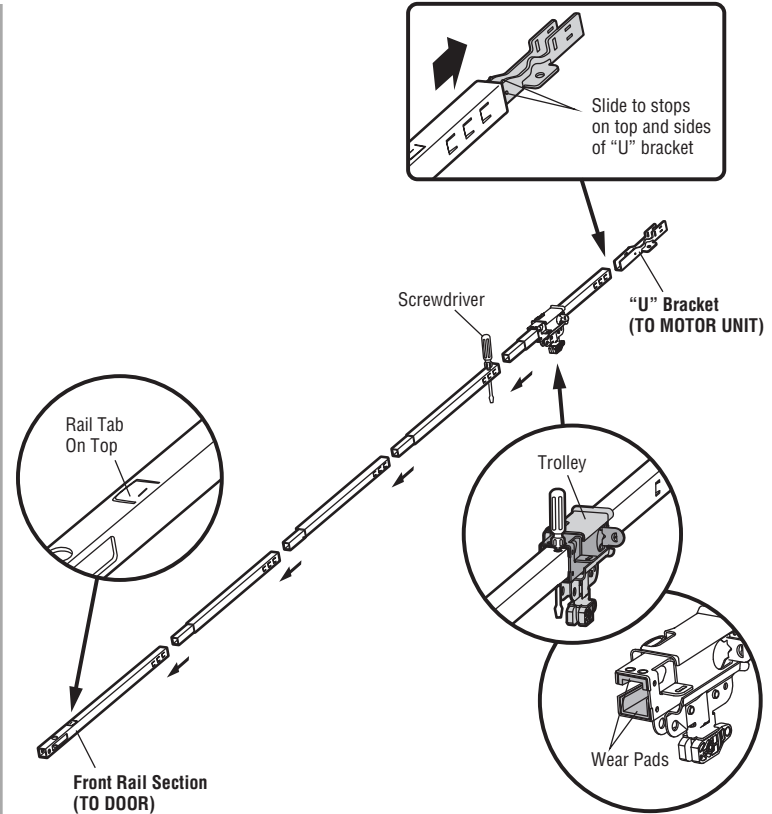
### CAUTION

To prevent INJURY from pinching, keep hands and fingers away from the joints while assembling the rail.

To avoid installation difficulties, do not run the garage door opener until instructed to do so.

The front rail has a cut out "window" at the door end. The rail tab MUST be on top of the rail when assembled.

1. Remove the straight door arm and hanging bracket packaged inside the front rail and set aside for Installation Step 5 and 9. **NOTE:** To prevent INJURY while unpacking the rail carefully remove the straight door arm stored within the rail section.
2. Align the rail sections on a flat surface as shown and slide the tapered ends into the larger ones. Tabs along the side will lock into place.
3. Place the motor unit on packing material to protect the cover, and rest the back end of the rail on top. For convenience, put a support under the front end of the rail.
4. As a temporary stop, insert a screwdriver into the hole in the second rail section from the motor unit, as shown.
5. Check to be sure there are 4 plastic wear pads inside the inner trolley. If they became loose during shipping, check all packing material. Snap them back into position as shown.
6. Slide the trolley assembly toward the screwdriver as shown.
7. Slide the rail onto the "U" bracket, until it reaches all the stops on the top and sides of the "U" bracket.



# Assembly

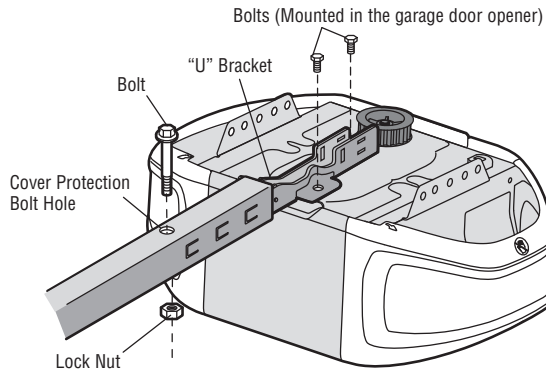
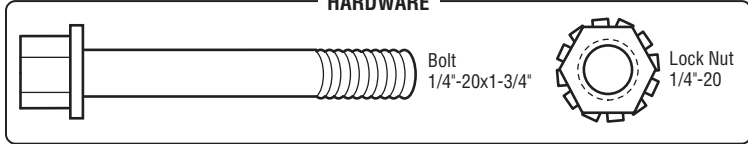
## STEP 2 Fasten the rail to the motor unit

### CAUTION

To avoid **SERIOUS** damage to garage door opener, use **ONLY** those bolts/fasteners mounted in the top of the opener.

1. Insert a 1/4"-20 x 1-3/4" bolt into the cover protection bolt hole on the back end of the rail as shown. Tighten securely with a 1/4"-20 lock nut. **DO NOT** overtighten.
2. Remove the bolts from the top of the motor unit.
3. Use the carton to support the front end of the rail.
4. Place the "U" bracket, flat side down onto the motor unit and align the bracket holes with the bolt holes.
5. Fasten the "U" bracket with the previously removed bolts; **DO NOT** use any power tools. The use of power tools may permanently damage the garage door opener.

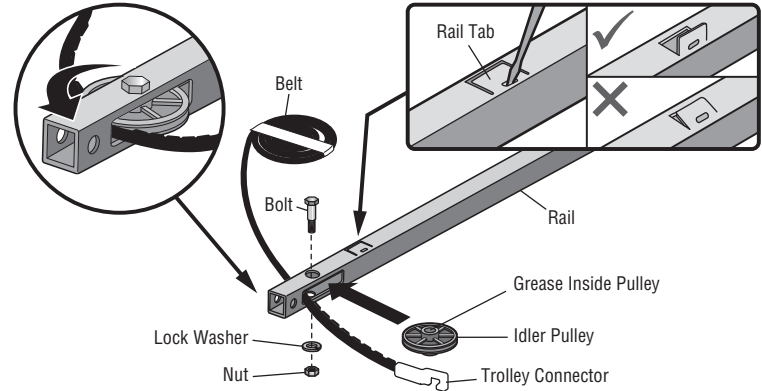
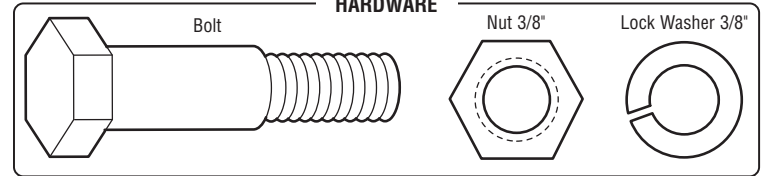
#### HARDWARE



## STEP 3 Install the idler pulley

1. Lay the belt beside the rail, as shown. Grasp the end with the hooked trolley connector and pass approximately 12" (30 cm) of belt through the window. Keep the ribbed side toward the rail, and allow it to hang until Assembly Step 4.
2. Remove the tape from the idler pulley. The inside center should be pre-greased. If dry, regrease to ensure proper operation.
3. Place the idler pulley into the window as shown.
4. Insert the idler bolt from the top through the rail and pulley. Tighten with a 3/8" lock washer and nut underneath the rail until the lock washer is compressed.
5. Rotate the pulley to be sure it spins freely.
6. Locate the rail tab. The rail tab is between the idler bolt and the trolley in the front rail section. Use a flathead screwdriver and lift the rail tab until the tab is vertical (90°).

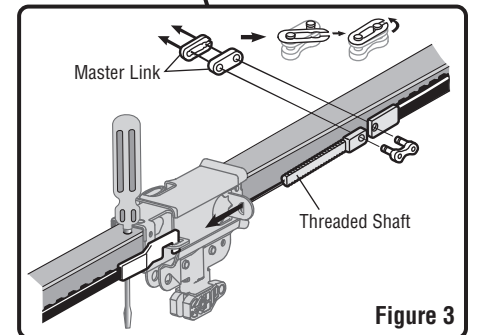
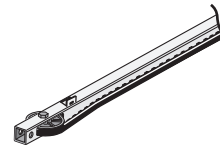
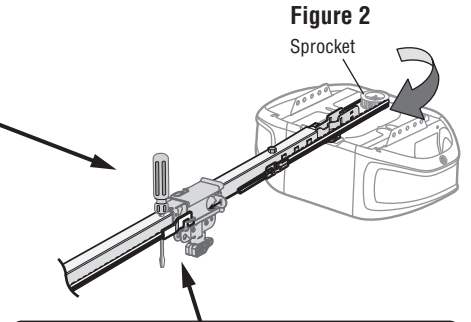
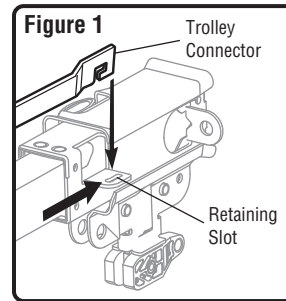
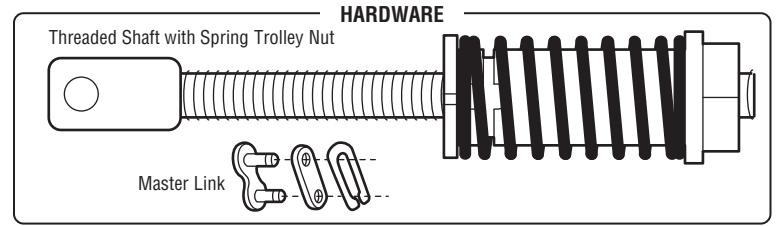
#### HARDWARE



# Assembly

## STEP 4 Install the belt

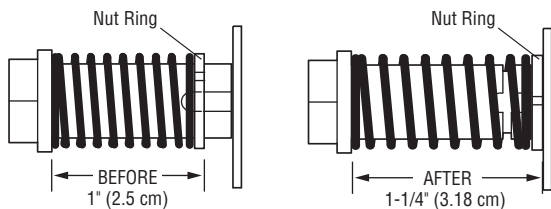
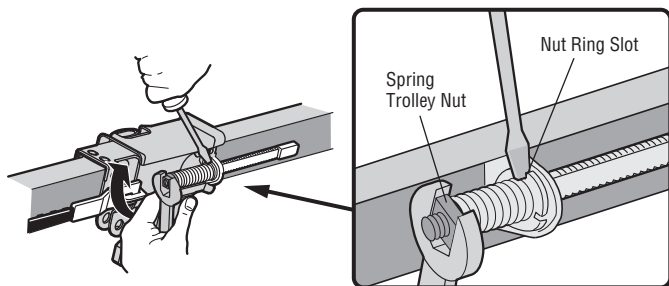
1. Pull the belt around the idler pulley and toward the trolley. The ribbed side must contact the pulley.
2. Hook the trolley connector into the retaining slot on the trolley as shown (Figure 1).
3. With the trolley against the screwdriver, dispense the remainder of the belt along the rail length toward the motor unit and around the sprocket (Figure 2). The sprocket teeth must engage the belt.
4. Check to make sure the belt is not twisted. Connect the trolley threaded shaft with the master link (Figure 3).
  - Push pins of master link bar through holes in end of belt and trolley threaded shaft.
  - Push master link cap over pins and past pin notches.
  - Slide the closed end of the clip-on spring over one of the pins. Push the open end of the clip-on spring onto the other pin.
5. Remove the spring trolley nut from the threaded shaft.
6. Insert the trolley threaded shaft through the hole in the trolley.



# Assembly

## STEP 5 Tighten the belt

1. By hand, thread the spring trolley nut on the threaded shaft until it is finger tight against the trolley. Do not use any tools. Remove the screwdriver.
2. Insert a flathead screwdriver tip into one of the nut ring slots and brace it firmly against the trolley.
3. Tighten the spring trolley nut with an adjustable wrench or a 7/16" open end wrench about a quarter turn until the spring releases and snaps the nut ring against the trolley. This sets the spring to optimum belt tension.



## STEP 6 Install the sprocket cover

### **WARNING**

To avoid possible **SERIOUS INJURY** to finger from moving garage door opener:

- ALWAYS keep hand clear of sprocket while operating opener.
- Securely attach sprocket cover **BEFORE** operating.

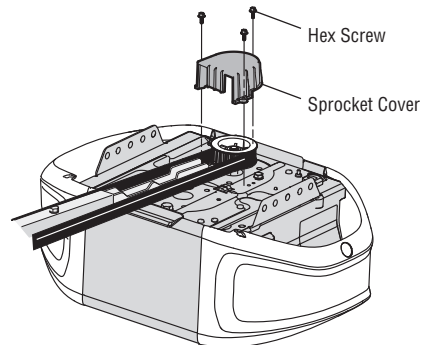
1. Position the sprocket cover over the sprocket as shown and fasten to the mounting plate with 8x3/8" hex screws provided.

**You have now finished assembling your garage door opener. Please read the following warnings before proceeding to the installation section.**

### HARDWARE



Hex Screw #8x3/8"  
(Packed with the sprocket cover)



# IMPORTANT INSTALLATION INSTRUCTIONS

## **WARNING**

### To reduce the risk of SEVERE INJURY or DEATH:

1. READ AND FOLLOW ALL INSTALLATION WARNINGS AND INSTRUCTIONS.
2. Install garage door opener ONLY on properly balanced and lubricated garage door. An improperly balanced door may NOT reverse when required and could result in SEVERE INJURY or DEATH.
3. ALL repairs to cables, spring assemblies and other hardware MUST be made by a trained door systems technician BEFORE installing opener.
4. Disable ALL locks and remove ALL ropes connected to garage door BEFORE installing opener to avoid entanglement.
5. Install garage door opener 7 feet (2.13 m) or more above floor.
6. Mount the emergency release within reach, but at least 6 feet (1.83 m) above the floor and avoiding contact with vehicles to avoid accidental release.
7. NEVER connect garage door opener to power source until instructed to do so.
8. NEVER wear watches, rings or loose clothing while installing or servicing opener. They could be caught in garage door or opener mechanisms.
9. Install wall-mounted garage door control:
  - within sight of the garage door.
  - out of reach of small children at a minimum height of 5 feet (1.5 m) above floors, landings, steps or any other adjacent walking surface.
  - away from ALL moving parts of the door.
10. Place entrapment warning label on wall next to garage door control.
11. Place manual release/safety reverse test label in plain view on inside of garage door.
12. Upon completion of installation, test safety reversal system. Door MUST reverse on contact with a 1-1/2" (3.8 cm) high object (or a 2x4 laid flat) on the floor.
13. To avoid SERIOUS PERSONAL INJURY or DEATH from electrocution, disconnect ALL electric and battery power BEFORE performing ANY service or maintenance.
14. DO NOT install on a one-piece door if using devices or features providing unattended close. Unattended devices and features are to be used ONLY with sectional doors.

# Installation

## STEP 1 Determine the header bracket location

### **WARNING**

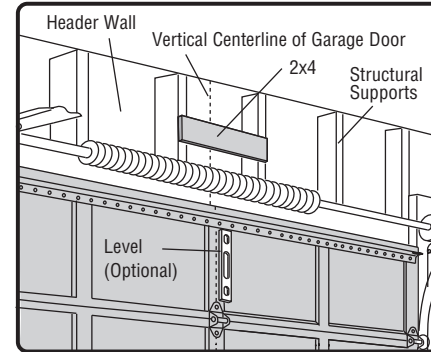
To prevent possible **SERIOUS INJURY** or **DEATH**:

- Header bracket **MUST** be **RIGIDLY** fastened to structural support on header wall or ceiling, otherwise garage door might **NOT** reverse when required. **DO NOT** install header bracket over drywall.
- Concrete anchors **MUST** be used if mounting header bracket or 2x4 into masonry.
- **NEVER** try to loosen, move or adjust garage door, springs, cables, pulleys, brackets, or their hardware, **ALL** of which are under **EXTREME** tension.
- **ALWAYS** call a trained door systems technician if garage door binds, sticks, or is out of balance. An unbalanced garage door might **NOT** reverse when required.

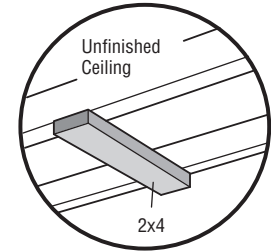
Installation procedures vary according to garage door types. Follow the instructions which apply to your door.

1. Close the door and mark the inside vertical centerline of the garage door.
2. Extend the line onto the header wall above the door. You can fasten the header bracket within 4 feet (1.22 m) of the left or right of the door center only if a torsion spring or center bearing plate is in the way; or you can attach it to the ceiling (see page 12) when clearance is minimal. (It may be mounted on the wall upside down if necessary, to gain approximately 1/2" (1 cm). If you need to install the header bracket on a 2x4 (on wall or ceiling), use lag screws (not provided) to securely fasten the 2x4 to structural supports as shown here and on page 12.
3. Open your door to the highest point of travel as shown. Draw an intersecting horizontal line on the header wall 2" (5 cm) above the high point:
  - 2" (5 cm) above the high point for sectional door and one-piece door with track.
  - 8" (20 cm) above the high point for one-piece door without track.

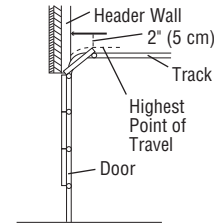
This height will provide travel clearance for the top edge of the door. **NOTE:** If the total number of inches exceeds the height available in your garage, use the maximum height possible, or refer to page 12 for ceiling installation.



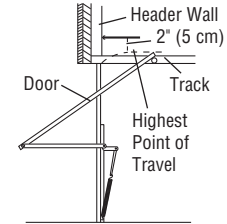
### OPTIONAL CEILING MOUNT FOR HEADER BRACKET



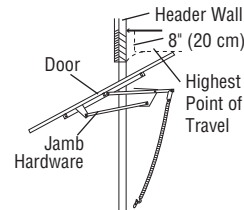
#### Sectional door with curved track



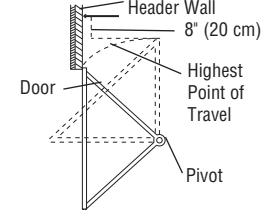
#### One-piece door with horizontal track



#### One-piece door without track: jamb hardware



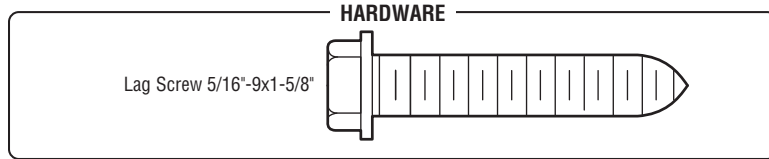
#### One-piece door without track: pivot hardware



# Installation

## STEP 2 Install the header bracket

You can attach the header bracket either to the wall above the garage door, or to the ceiling. Follow the instructions which will work best for your particular requirements. **Do not install the header bracket over drywall. If installing into masonry, use concrete anchors (not provided).**



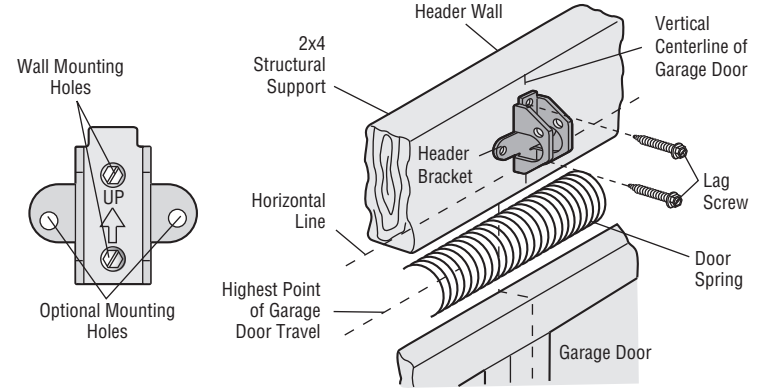
### OPTION A WALL INSTALLATION

1. Center the bracket on the vertical centerline with the bottom edge of the bracket on the horizontal line as shown (with the arrow pointing toward the ceiling).
2. Mark the vertical set of bracket holes. Drill 3/16" pilot holes and fasten the bracket securely to a structural support with the hardware provided.

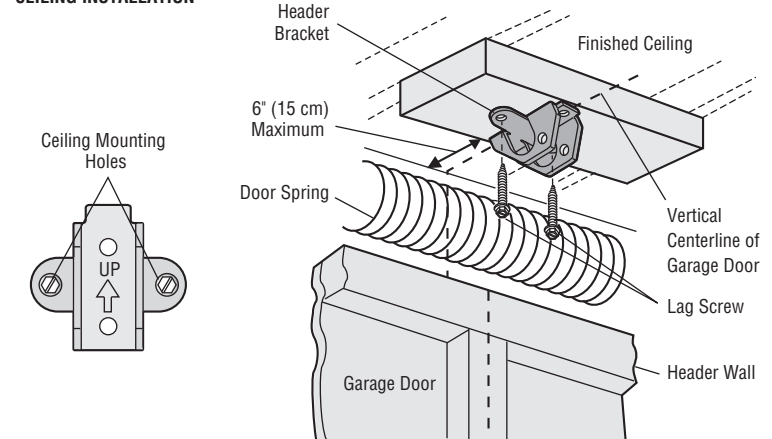
### OPTION B CEILING INSTALLATION

1. Extend the vertical centerline onto the ceiling as shown.
2. Center the bracket on the vertical mark, no more than 6" (15 cm) from the wall. Make sure the arrow is pointing away from the wall. The bracket can be mounted flush against the ceiling when clearance is minimal.
3. Mark the side holes. Drill 3/16" pilot holes and fasten bracket securely to a structural support with the hardware provided.

### WALL INSTALLATION



### CEILING INSTALLATION



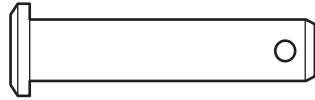


# Installation

## STEP 3 Attach the rail to the header bracket

1. Position the opener on the garage floor below the header bracket. Use packing material as a protective base.  
**NOTE:** If the door spring is in the way, you will need help. Have someone hold the opener securely on a temporary support to allow the rail to clear the spring.
2. Position the rail bracket against the header bracket.
3. Align the bracket holes and join with a clevis pin as shown.
4. Insert a ring fastener to secure.

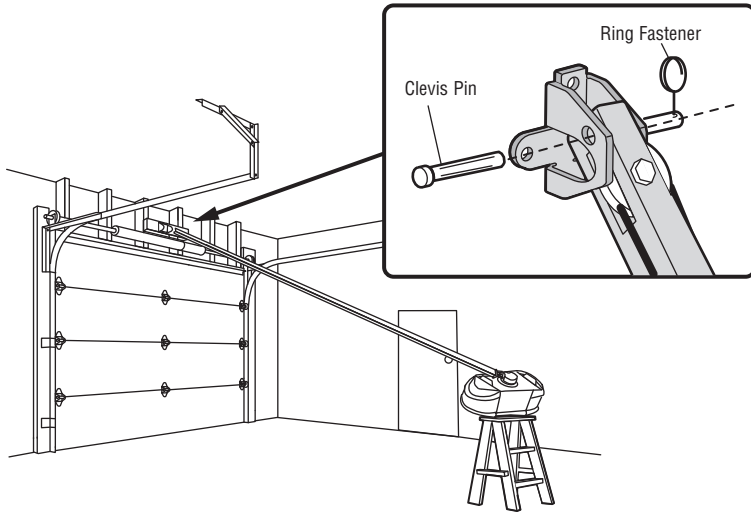
### HARDWARE



Clevis Pin  
5/16"x1-1/2"



Ring Fastener



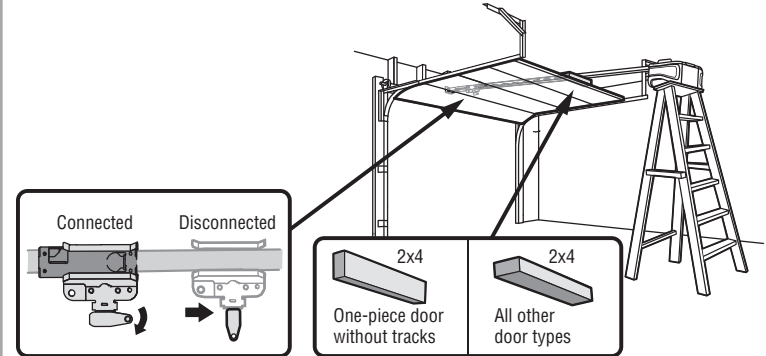
## STEP 4 Position the garage door opener

### CAUTION

To prevent damage to garage door, rest garage door opener rail on 2x4 placed on top section of door.

1. Remove the packing material and lift the garage door opener onto a ladder.
2. Fully open the door and place a 2x4 (laid flat) under the rail. For one-piece doors without tracks, lay the 2x4 on it's side.

**NOTE:** A 2x4 is ideal for setting the distance between the rail and the door. If the ladder is not tall enough you will need help at this point. If the door hits the trolley when it is raised, pull the trolley release arm down to disconnect the inner and outer trolley. Slide the outer trolley toward the garage door opener. The trolley can remain disconnected until instructed.



# Installation

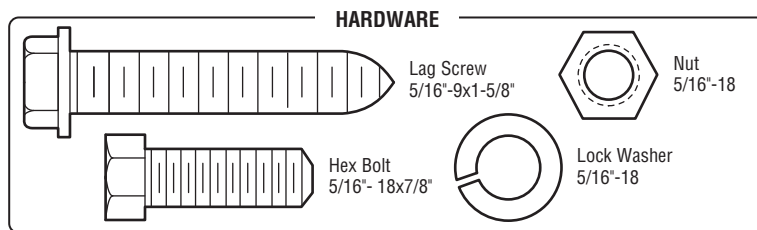
## STEP 5 Hang the garage door opener

### **WARNING**

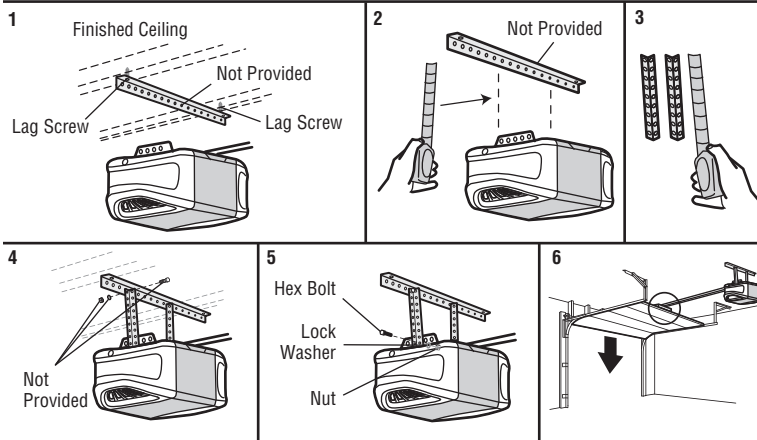
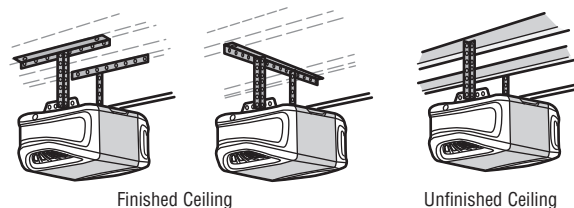
To avoid possible **SERIOUS INJURY** from a falling garage door opener, fasten it **SECURELY** to structural supports of the garage. Concrete anchors **MUST** be used if installing **ANY** brackets into masonry.

Hanging the garage door opener will vary depending on your garage. Below are three example installations. Your installation may be different. For **ALL** installations the garage door opener **MUST** be connected to structural supports. The instructions illustrate one of the examples below.

1. On finished ceilings, use the lag screws to attach a support bracket (not provided) to the structural supports before installing the garage door opener.
2. Make sure the garage door opener is aligned with the header bracket. Measure the distance from each side of the garage door opener to the support bracket.
3. Cut both pieces of the hanging bracket to required lengths.
4. Attach the end of each hanging bracket to the support bracket with appropriate hardware (not provided).
5. Attach the garage door opener to the hanging brackets with the hex bolts, lock washers, and nuts.
6. Remove the 2x4 and manually close the door. If the door hits the rail, raise the header bracket.



### EXAMPLES



# Installation

## STEP 6 Install the light bulbs

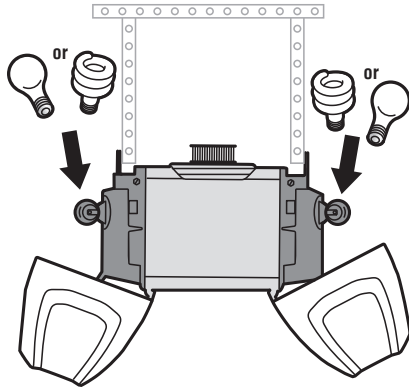
### CAUTION

To prevent possible OVERHEATING of the end panel or light socket:

- Use ONLY A19 incandescent (100W maximum) or compact fluorescent (26W maximum) light bulbs.
- DO NOT use incandescent bulbs larger than 100W.
- DO NOT use compact fluorescent light bulbs larger than 26W (100W equivalent).
- DO NOT use halogen bulbs.
- DO NOT use short neck or specialty light bulbs.

1. Pull on the top sides of the light lens and rotate the light lens down.
2. Insert an A19 incandescent (100W maximum) or compact fluorescent (26W, 100W equivalent) light bulb into the light socket.
3. Rotate the lens up to close.

**NOTE:** Do not use halogen, short neck, or specialty light bulbs as these may overheat the end panel or light socket. Do not use LED bulbs as they may reduce the range or performance of your remote controls.



## STEP 7 Attach the emergency release rope and handle

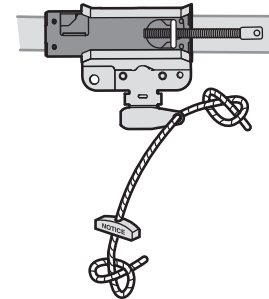
### ! WARNING

To prevent possible SERIOUS INJURY or DEATH from a falling garage door:

- If possible, use emergency release handle to disengage trolley ONLY when garage door is CLOSED. Weak or broken springs or unbalanced door could result in an open door falling rapidly and/or unexpectedly.
- NEVER use emergency release handle unless garage doorway is clear of persons and obstructions.
- NEVER use handle to pull door open or closed. If rope knot becomes untied, you could fall.

1. Insert one end of the emergency release rope through the handle. Make sure that "NOTICE" is right side up. Secure with an overhand knot at least 1" (2.5 cm) from the end of the rope to prevent slipping.
2. Insert the other end of the emergency release rope through the hole in the trolley release arm. Mount the emergency release within reach, but at least 6 feet (1.83 m) above floor, avoiding contact with vehicles to prevent accidental release and secure with an overhand knot.

**NOTE:** If it is necessary to cut the emergency release rope, seal the cut end with a match or lighter to prevent unraveling. Ensure the emergency release rope and handle are above the top of all vehicles to avoid entanglement.



# Installation

## STEP 8 Install the door bracket

### CAUTION

Fiberglass, aluminum or lightweight steel garage doors **WILL REQUIRE** reinforcement BEFORE installation of door bracket. Contact the garage door manufacturer or installing dealer for opener reinforcement instructions or reinforcement kit. Failure to reinforce the top section as required according to the door manufacturer may void the door warranty.

A horizontal and vertical reinforcement is needed for lightweight garage doors (fiberglass, aluminum, steel, doors with glass panel, etc.) (not provided). A horizontal reinforcement brace should be long enough to be secured to two or three vertical supports. A vertical reinforcement brace should cover the height of the top panel. Contact the garage door manufacturer or installing dealer for opener reinforcement instructions or reinforcement kit.

**NOTE:** Many door reinforcement kits provide for direct attachment of the clevis pin and door arm. In this case you will not need the door bracket; proceed to the next step.

### OPTION A SECTIONAL DOORS

1. Center the door bracket on the previously marked vertical centerline used for the header bracket installation. Note correct UP placement, as stamped inside the bracket.
2. Position the top edge of the bracket 2"-4" (5-10 cm) below the top edge of the door, OR directly below any structural support across the top of the door.
3. Mark, drill holes and install as follows, depending on your door's construction.

**Metal or light weight doors using a vertical angle iron brace between the door panel support and the door bracket:**

- Drill 3/16" fastening holes. Secure the door bracket using the two 1/4"-14x5/8" self-threading screws. (Figure 1)
- Alternately, use two 5/16"-18x2" bolts, lock washers and nuts (not provided). (Figure 2)

**Metal, insulated or light weight factory reinforced doors:**

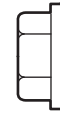
- Drill 3/16" fastening holes. Secure the door bracket using the self-threading screws. (Figure 3)

**Wood doors:**

- Use top and bottom or side to side door bracket holes. Drill 5/16" holes through the door and secure bracket with 5/16"-18x2" carriage bolts, lock washers and nuts (not provided). (Figure 4)

**NOTE:** The 1/4"-14x5/8" self-threading screws are not intended for use on wood doors.

### HARDWARE



Self-Threading Screw  
1/4"-14x5/8"

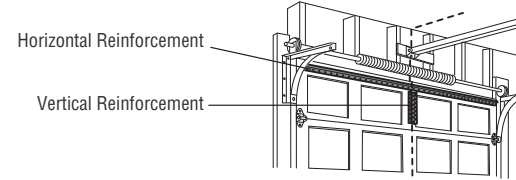


FIGURE 1

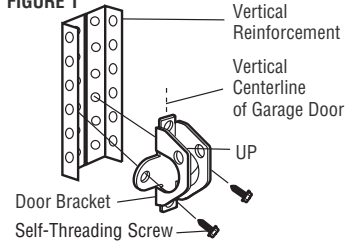


FIGURE 2

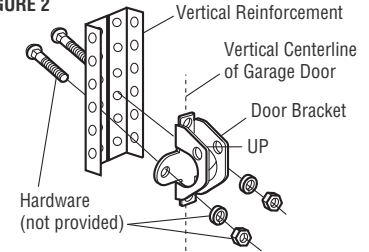


FIGURE 3

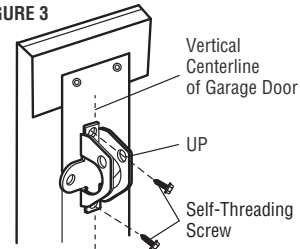
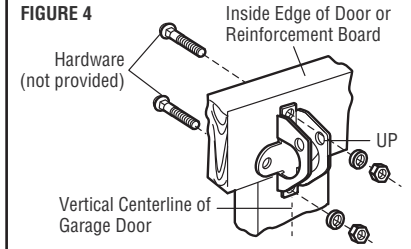


FIGURE 4



# Installation

## STEP 8 Install the door bracket (continued)

### OPTION B ONE-PIECE DOORS

1. Center the door bracket on the top of the door, in line with the header bracket as shown.
2. Mark either the left and right, or the top and bottom holes.

#### Metal Doors:

- Drill 3/16" pilot holes and fasten the bracket with the self-threading screws provided.

#### Wood Doors:

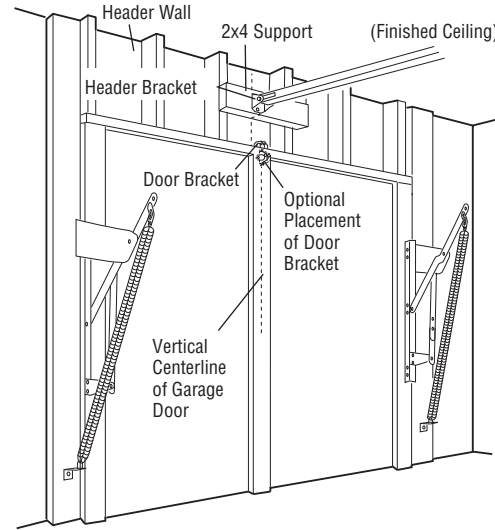
- Drill 5/16" holes and use 5/16"-18x2" carriage bolts, lock washers and nuts (not provided) or 5/16"x1-1/2" lag screws (not provided) depending on your installation needs.

**NOTE:** The door bracket may be installed on the top edge of the door if required for your installation. (Refer to the dotted line optional placement drawing.)

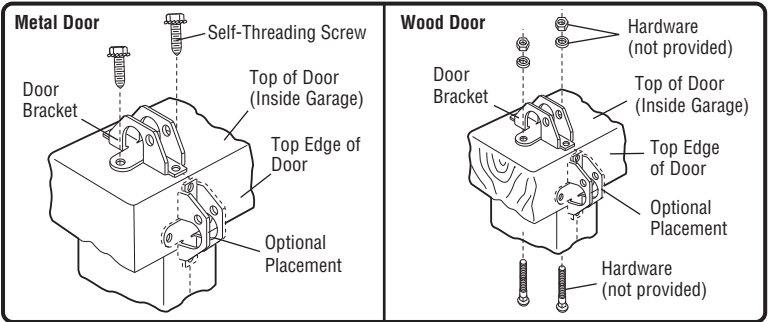
#### HARDWARE



Self-Threading Screw  
1/4"-14x5/8"



For a door with no exposed framing, or for the optional installation, use lag screws 5/16"x1-1/2" (not provided) to fasten the door bracket.



# Installation

## STEP 9 Connect the door arm to the trolley

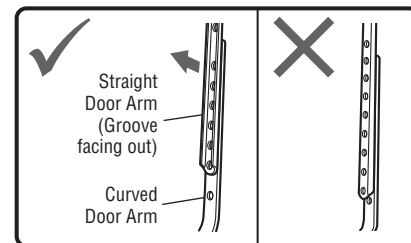
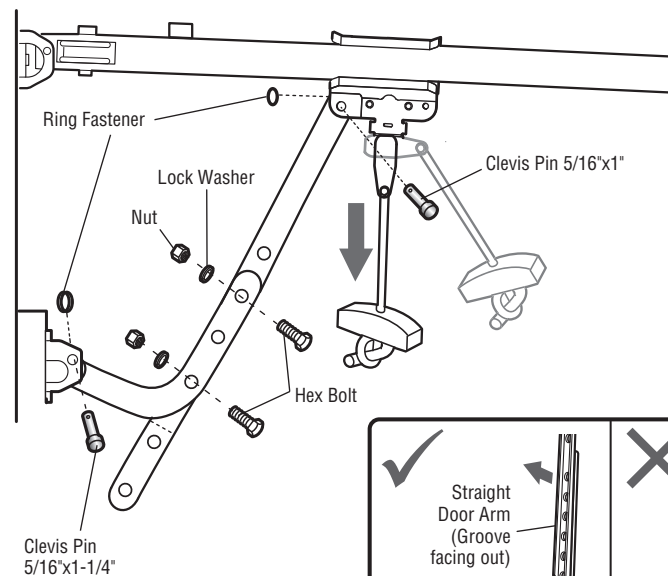
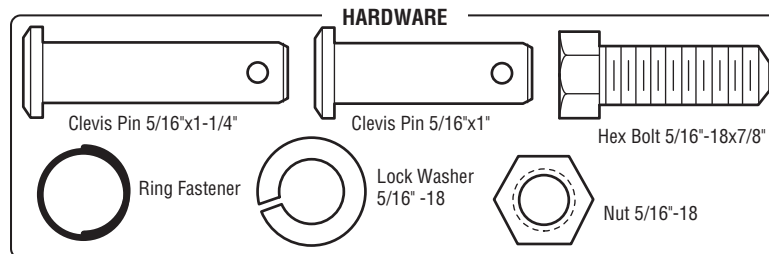
Installation will vary according to the garage door type. Follow the instructions which apply to your door.

### OPTION A SECTIONAL DOORS

**IMPORTANT:** The groove on the straight door arm MUST face away from the curved door arm.

1. Close the door. Disconnect the trolley by pulling the emergency release handle.
2. Attach the straight door arm to the outer trolley using the clevis pin. Secure with the ring fastener.
3. Attach the curved door arm to the door bracket using the clevis pin. Secure with the ring fastener.
4. Bring arm sections together. Find two pairs of holes that line up and join sections. Select holes as far apart as possible to increase door arm rigidity and attach using the bolts, nuts, and lock washers.
5. Pull the emergency release handle toward the garage door opener until the trolley release arm is horizontal. The trolley will re-engage automatically when the garage door opener is activated.

**NOTE:** If the holes in the curved door arm and the straight door arm do not align, reverse the straight door arm, select two holes (as far apart as possible) and attach using bolts, nuts, and lock washers. If the straight door arm is hanging down too far, you may cut 6 inches (15 cm) from the solid end.



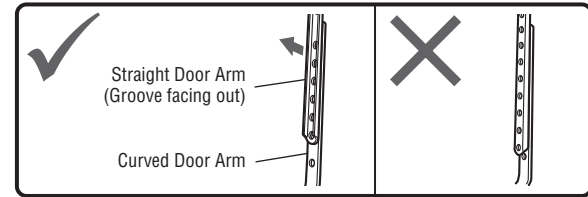
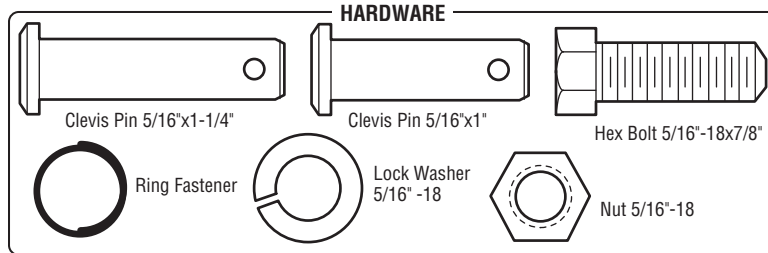
# Installation

## STEP 9 Connect the door arm to the trolley (continued)

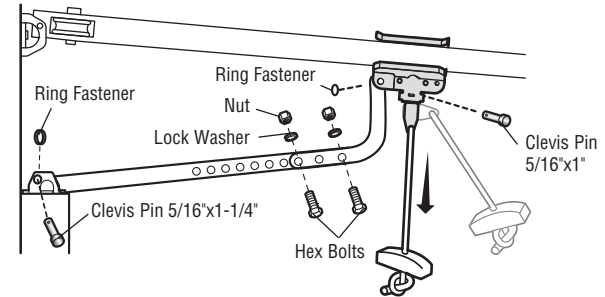
### OPTION B ONE-PIECE DOORS

**IMPORTANT:** The groove on the straight door arm **MUST** face away from the curved door arm.

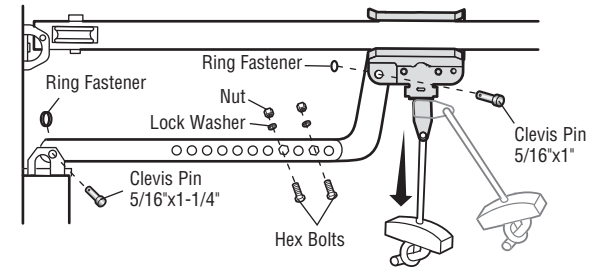
1. Close the door. Disconnect the trolley by pulling the emergency release handle.
2. Fasten the straight door arm and the curved door arm together to the longest possible length (with a 2 or 3 hole overlap) using the bolts, nuts, and lock washers.
3. Attach the straight door arm to the door bracket using the clevis pin. Secure with the ring fastener.
4. Attach the curved door arm to the trolley using the clevis pin. Secure with the ring fastener.
5. Pull the emergency release handle toward the garage door opener until the trolley release arm is horizontal.



#### One-Piece Door without Track



#### One-Piece Door with Track



# Installation

## STEP 10 Install the door control

### **WARNING**

To prevent possible SERIOUS INJURY or DEATH from electrocution:

- Be sure power is NOT connected BEFORE installing door control.
- Connect door control ONLY to 12 VOLT low voltage wires.

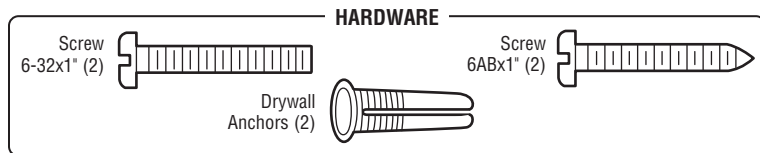
To prevent possible SERIOUS INJURY or DEATH from a closing garage door:

- Install door control within sight of garage door, out of reach of small children at a minimum height of 5 feet (1.5 m) above floors, landings, steps or any other adjacent walking surface, and away from ALL moving parts of door.
- NEVER permit children to operate or play with door control push buttons or remote control transmitters.
- Activate door ONLY when it can be seen clearly, is properly adjusted, and there are no obstructions to door travel.
- ALWAYS keep garage door in sight until completely closed. NEVER permit anyone to cross path of closing garage door.

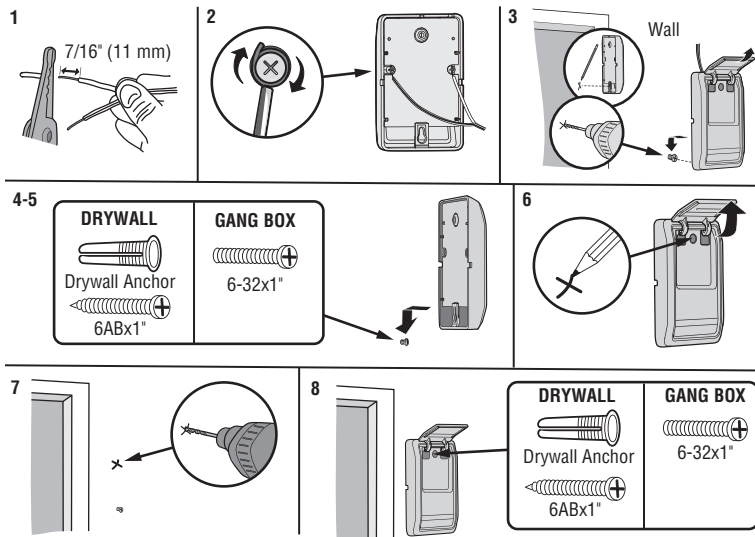
### INTRODUCTION

Older Chamberlain door controls and third party products are not compatible. Install the door control within sight of the door at a minimum height of 5 feet (1.5 m) above floors, landings, steps or any other adjacent walking surface, where small children cannot reach, and away from the moving parts of the door. For gang box installations it is not necessary to drill holes or install the drywall anchors. Use the existing holes in the gang box.

**NOTE:** Your product may look different than the illustrations.



1. Strip 7/16 inch (11 mm) of insulation from one end of the wire and separate the wires.
2. Connect one wire to each of the two screws on the back of the door control. The wires can be connected to either screw. If your garage is pre-wired for the door control choose any two wires to connect, note which wires are used so the correct wires are connected to the garage door opener in a later step.
3. Mark the location of the bottom mounting hole and drill a 5/32 inch hole.
4. Install the bottom screw, allowing 1/8 inch (3 mm) to protrude from the wall.
5. Position the bottom hole of the door control over the screw and slide down into place.
6. Lift the push bar up and mark the top hole.
7. Remove the door control from the wall and drill a 5/32 inch hole for the top screw.
8. Position the bottom hole of the door control over the screw and slide down into place. Attach the top screw.





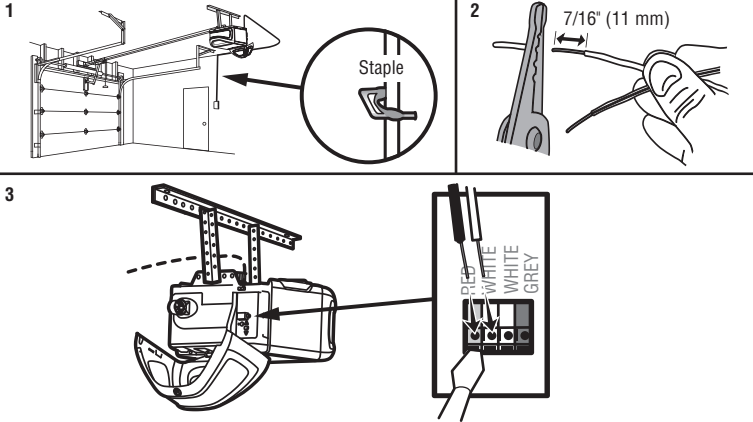
# Installation

## STEP 11 Wire the door control to the garage door opener

1. Run the white and red/white wire from the door control to the garage door opener. Attach the wire to the wall and ceiling with the staple (not applicable for gang box or pre-wired installations). Do not pierce the wire with the staple as this may cause a short or an open circuit.
2. Strip 7/16 inch (11 mm) of insulation from the end of the wire near the garage door opener.
3. Connect the wire to the red and white terminals on the garage door opener. If your garage is pre-wired make sure you use the same wires that are connected to the door control. To insert or release wires from the terminal, push in the tab with screwdriver tip.

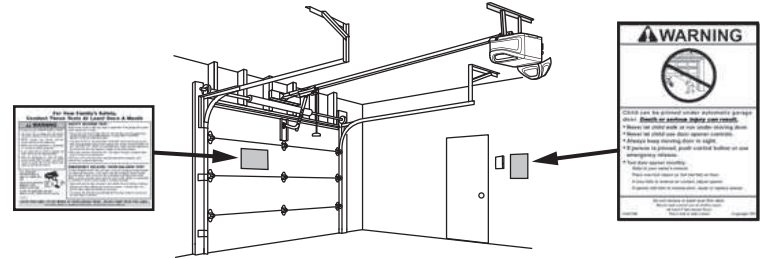
### HARDWARE

Insulated Staple (Not Shown)



## STEP 12 Attach the warning labels

1. Attach the entrapment warning label on the wall near the door control with tacks or staples.
2. Attach the manual release/safety reverse test label in a visible location on the inside of the garage door.



# Installation

## STEP 13 Install the Protector System®

### **WARNING**

Be sure power is NOT connected to the garage door opener BEFORE installing the safety reversing sensor.

To prevent SERIOUS INJURY or DEATH from closing garage door:

- Correctly connect and align the safety reversing sensor. This required safety device MUST NOT be disabled.
- Install the safety reversing sensor so beam is NO HIGHER than 6" (15 cm) above garage floor.

### IMPORTANT INFORMATION ABOUT THE SAFETY REVERSING SENSORS

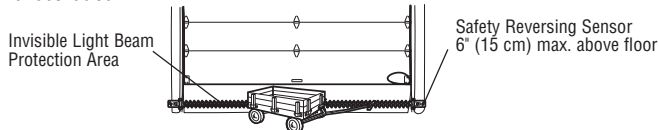
The safety reversing sensors must be connected and aligned correctly before the garage door opener will move in the down direction.

The sending sensor (with an amber LED) transmits an invisible light beam to the receiving sensor (with a green LED). If an obstruction breaks the light beam while the door is closing, the door will stop and reverse to the full open position, and the garage door opener lights will flash 10 times.

**NOTE:** For energy efficiency the garage door opener will enter sleep mode when the door is fully closed. The sleep mode shuts the garage door opener down until activated. The sleep mode is sequenced with the garage door opener light bulb; as the light bulb turns off the sensor LEDs will turn off and whenever the garage door opener lights turn on the sensor LEDs will light. The garage door opener will not go into the sleep mode until the garage door opener has completed 5 cycles upon power up.

When installing the safety reversing sensors check the following:

- Sensors are installed inside the garage, one on either side of the door.
- Sensors are facing each other with the lenses aligned and the receiving sensor lens does not receive direct sunlight.
- Sensors are no more than 6 inches (15 cm) above the floor and the light beam is unobstructed.



Facing the door from inside the garage

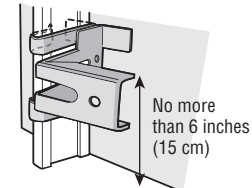


The safety reversing sensors can be attached to the door track, the wall, or the floor. The sensors should be no more than 6 inches (15 cm) above the floor. If the door track will not support the sensor bracket a wall installation is recommended. Choose one of the following installations.

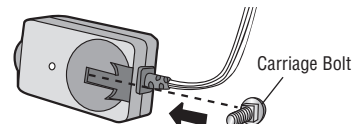
### OPTION A DOOR TRACK INSTALLATION

1. Slide the curved arms of the sensor bracket around the edge of the door track. Snap into place so that the sensor bracket is flush against the track.
2. Slide the carriage bolt into the slot on each sensor.
3. Insert the bolt through the hole in the sensor bracket and attach with the wing nut. The lenses on both sensors should point toward each other. Make sure the lens is not obstructed by the sensor bracket.

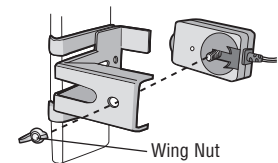
1



2



3



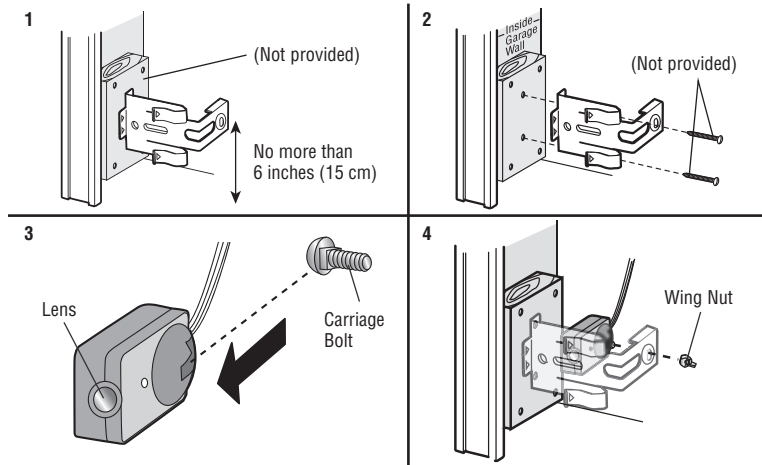
# Installation

## STEP 13 Install the Protector System® (continued)

### OPTION B WALL INSTALLATION

If additional clearance is needed an extension bracket (not provided) or wood blocks can be used. Make sure each bracket has the same amount of clearance so they will align correctly.

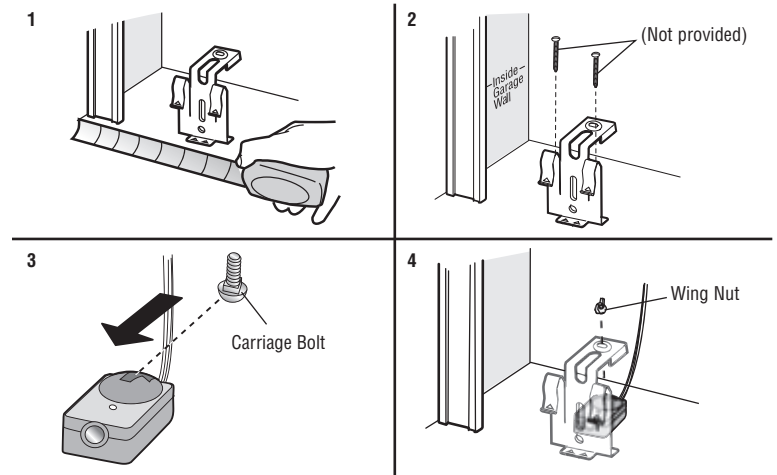
1. Position the sensor bracket against the wall with the curved arms facing the door. Make sure there is enough clearance for the beam to be unobstructed. Mark holes.
2. Drill 3/16 inch pilot holes for each sensor bracket and attach the sensor brackets to the wall using lag screws (not provided).
3. Slide the carriage bolt into the slot on each sensor.
4. Insert the bolt through the hole in the sensor bracket and attach with the wing nut. The lenses on both sensors should point toward each other. Make sure the lens is not obstructed by the sensor bracket.



### OPTION C FLOOR INSTALLATION

Use an extension bracket (not provided) or wood block to raise the sensor bracket if needed.

1. Carefully measure the position of both sensor brackets so they will be the same distance from the wall and unobstructed.
2. Attach the sensor brackets to the floor using concrete anchors (not provided).
3. Slide the carriage bolt into the slot on each sensor.
4. Insert the bolt through the hole in the sensor bracket and attach with the wing nut. The lenses on both sensors should point toward each other. Make sure the lens is not obstructed by the sensor bracket.



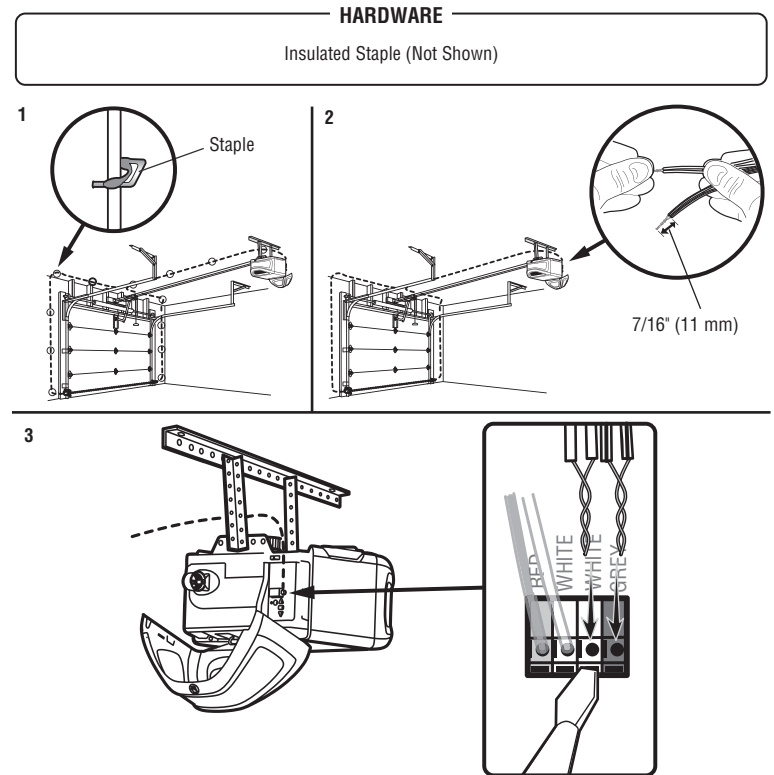
# Installation

## STEP 14 Wire the Safety Reversing Sensors

If your garage already has wires installed for the safety reversing sensors, proceed to page 25.

### OPTION A INSTALLATION WITHOUT PRE-WIRING

1. Run the wire from both sensors to the garage door opener. Attach the wire to the wall and ceiling with the staples.
2. Strip 7/16 inch (11 mm) of insulation from each set of wires. Separate the wires. Twist the white wires together. Twist the white/black wires together.
3. Insert the white wires into the white terminal on the garage door opener. Insert the white/black wires into the grey terminal on the garage door opener. To insert or remove the wires from the terminal, push in the tab with a screwdriver tip.

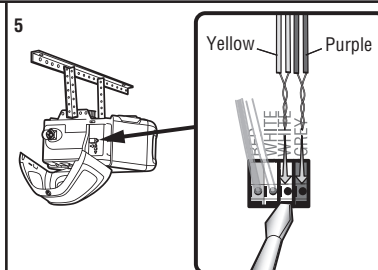
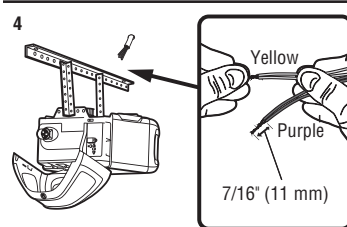
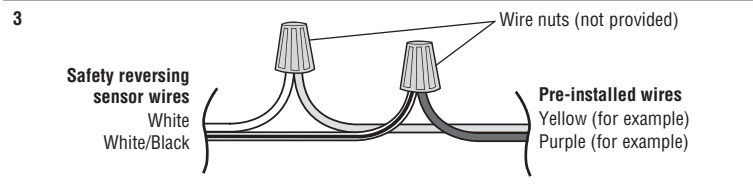
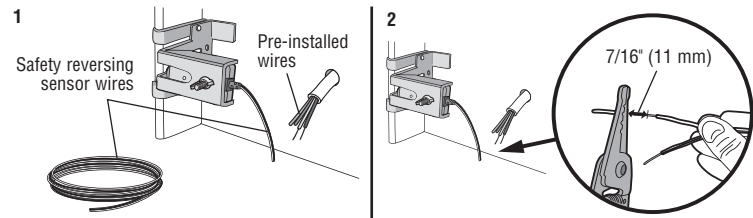


# Installation

## STEP 14 Wire the Safety Reversing Sensors (continued)

### OPTION B PRE-WIRED INSTALLATION

1. Cut the end of the safety reversing sensor wire, making sure there is enough wire to reach the pre-installed wires from the wall.
2. Separate the safety reversing sensor wires and strip 7/16 inch (11 mm) of insulation from each end. Choose two of the pre-installed wires and strip 7/16 inch (11 mm) of insulation from each end. Make sure that you choose the same color pre-installed wires for each sensor.
3. Connect the pre-installed wires to the sensor wires with wire nuts making sure the colors correspond for each sensor. For example, the white wire would connect to the yellow wire and the white/black wire would connect to the purple wire.
4. At the garage door opener, strip 7/16 inch (11 mm) of insulation from each end of the wires previously chosen for the safety reversing sensors. Twist the like-colored wires together.
5. Insert the wires connected to the white safety sensor wires to the white terminal on the garage door opener. Insert the wires that are connected to the white/black safety sensor wires to the grey terminal on the garage door opener.



To insert or remove the wires from the terminal, push in the tab with a screwdriver tip.

# Installation

## STEP 15 Connect power

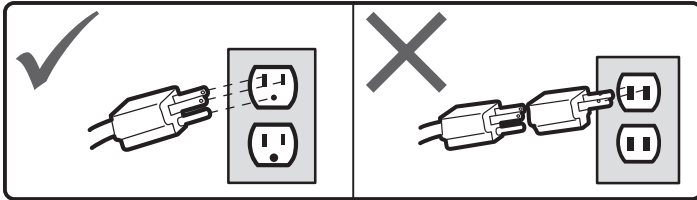
### **WARNING**

To prevent possible **SERIOUS INJURY** or **DEATH** from electrocution or fire:

- Be sure power is **NOT** connected to the opener, and disconnect power to circuit **BEFORE** removing cover to establish permanent wiring connection.
- Garage door installation and wiring **MUST** be in compliance with **ALL** local electrical and building codes.
- **NEVER** use an extension cord, 2-wire adapter, or change plug in **ANY** way to make it fit outlet. Be sure the opener is grounded.

**To avoid installation difficulties, do not run the opener at this time.**

To reduce the risk of electric shock, your garage door opener has a grounding type plug with a third grounding pin. This plug will only fit into a grounding type outlet. If the plug doesn't fit into the outlet you have, contact a qualified electrician to install the proper outlet.



**THERE ARE TWO OPTIONS FOR CONNECTING POWER:**

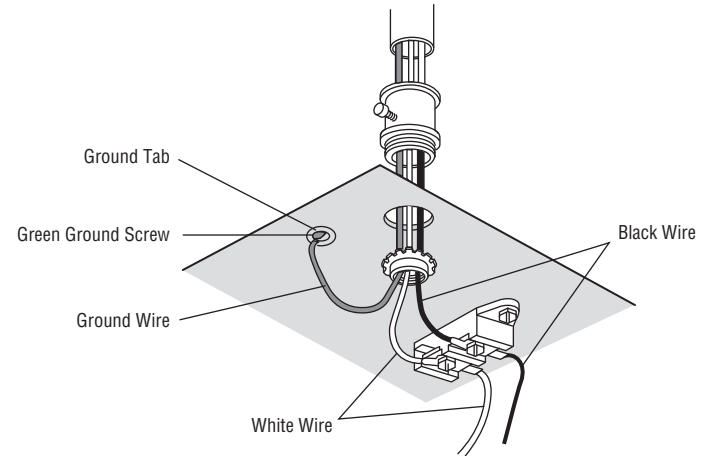
### **OPTION A** TYPICAL WIRING

1. Plug in the garage door opener into a grounded outlet.
2. **DO NOT** run garage door opener at this time.

### **OPTION B** PERMANENT WIRING

**If permanent wiring is required by your local code, refer to the following procedure. To make a permanent connection through the 7/8 inch hole in the top of the motor unit (according to local code):**

1. Remove the motor unit cover screws and set the cover aside.
2. Remove the attached 3-prong cord.
3. Connect the black (line) wire to the screw on the brass terminal; the white (neutral) wire to the screw on the silver terminal; and the ground wire to the green ground screw. **The opener must be grounded.**
4. Reinstall the cover.



# Installation

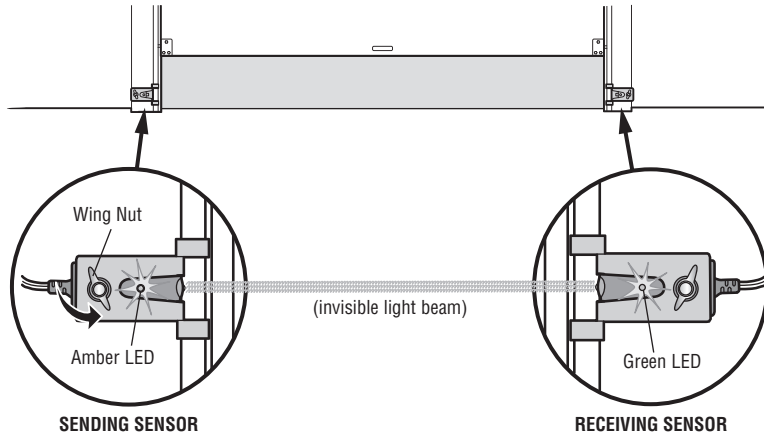
## STEP 16 Aligning the safety reversing sensors

The door will not close if the sensors have not been installed and aligned correctly.

When the light beam is obstructed or misaligned while the door is closing, the door will reverse and the garage door opener lights will flash ten times. If the door is already open, it will not close.

1. Check to make sure the LEDs in both sensors are glowing steadily. The LEDs in both sensors will glow steadily if they are aligned and wired correctly.

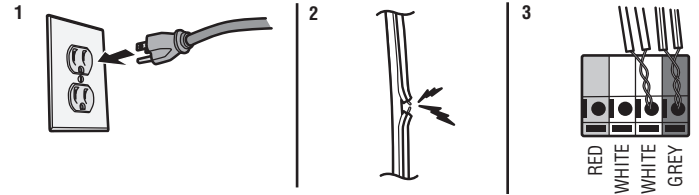
The sensors can be aligned by loosening the wing nuts, aligning the sensors, and tightening the wing nuts.



If the receiving sensor is in direct sunlight, switch it with sending sensor so it is on the opposite side of the door.

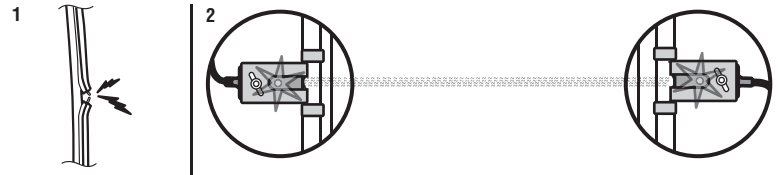
### IF THE AMBER LED ON THE SENDING SENSOR IS NOT GLOWING:

1. Make sure there is power to the garage door opener.
2. Make sure the sensor wire is not shorted/broken.
3. Make sure the sensor has been wired correctly: white wires to white terminal and white/black wires to grey terminal.



### IF THE GREEN LED ON THE RECEIVING SENSOR IS NOT GLOWING:

1. Make sure the sensor wire is not shorted/broken.
2. Make sure the sensors are aligned.



## STEP 17 Ensure the door control is wired correctly

If the door control has been installed and wired correctly, a message will display on the Smart Control Panel screen.

# Adjustments

## Introduction

### **WARNING**

Without a properly installed safety reversal system, persons (particularly small children) could be SERIOUSLY INJURED or KILLED by a closing garage door.

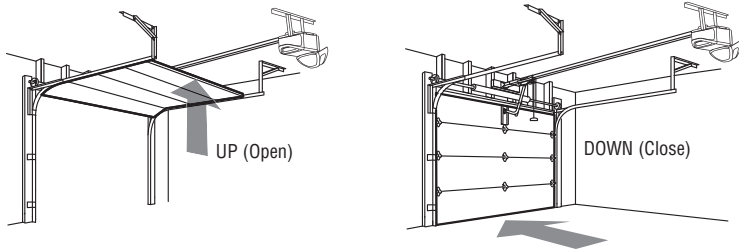
- Incorrect adjustment of garage door travel limits will interfere with proper operation of safety reversal system.
- After ANY adjustments are made, the safety reversal system MUST be tested. Door MUST reverse on contact with 1-1/2" (3.8 cm) high object (or 2x4 laid flat) on floor.

### **CAUTION**

To prevent damage to vehicles, be sure fully open door provides adequate clearance.

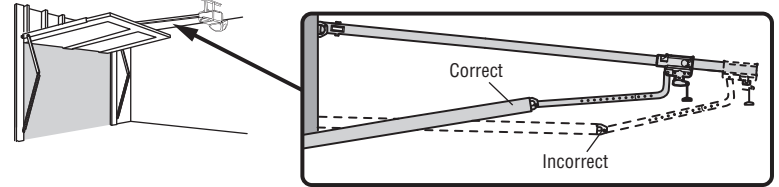
Your garage door opener is designed with electronic controls to make setup and adjustments easy. The adjustments allow you to program where the door will stop in the open (UP) and close (DOWN) position. The electronic controls sense the amount of force required to open and close the door. The force is adjusted automatically when you program the travel.

**NOTE:** If anything interferes with the door's upward travel it will stop. If anything interferes with the door's downward travel, it will reverse.



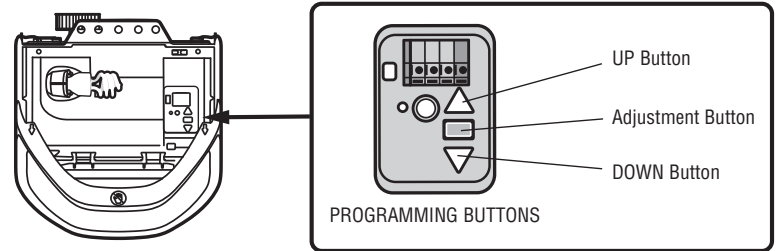
## One-Piece Doors Only

When setting the UP travel for a one-piece door ensure that the door does not slant backwards when fully open (UP). If the door is slanted backwards this will cause unnecessary bucking and/or jerking when the door is opening or closing.



## Programming Buttons

The programming buttons are located on the left side panel of the garage door opener and are used to program the travel. While programming, the UP and DOWN buttons can be used to move the door as needed.





# Adjustments

## STEP 1 Program the Travel

### **WARNING**

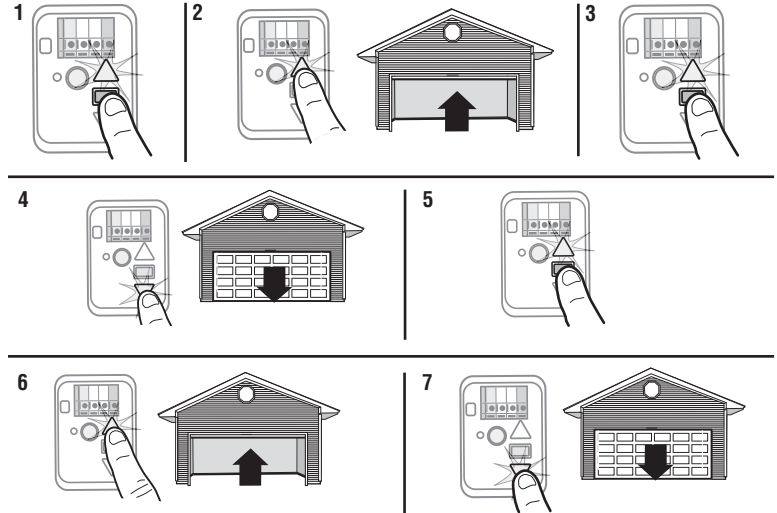
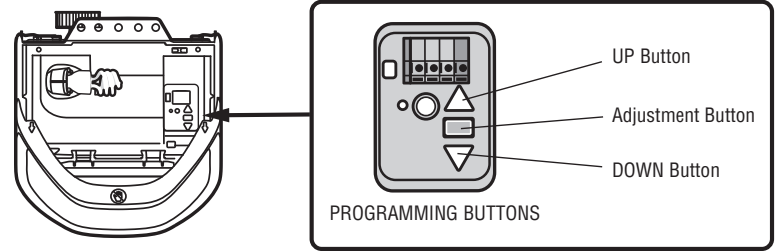
Without a properly installed safety reversal system, persons (particularly small children) could be SERIOUSLY INJURED or KILLED by a closing garage door.

- Incorrect adjustment of garage door travel limits will interfere with proper operation of safety reversal system.
- After ANY adjustments are made, the safety reversal system MUST be tested. Door MUST reverse on contact with 1-1/2" (3.8 cm) high object (or 2x4 laid flat) on floor.

While programming, the UP and DOWN buttons can be used to move the door as needed.

1. Press and hold the Adjustment Button until the UP Button begins to flash and/or a beep is heard.
  2. Press and hold the UP Button until the door is in the desired UP position.
  3. Once the door is in the desired UP position press and release the Adjustment Button. The garage door opener lights will flash twice and the DOWN Button will begin to flash.
- IMPORTANT NOTE:** For one-piece door installations refer to page 28.
4. Press and hold the DOWN button until the door is in the desired DOWN position.
  5. Once the door is in the desired DOWN position press and release the Adjustment Button. The garage door opener lights will flash twice and the UP Button will begin to flash.
  6. Press and release the UP Button. When the door travels to the programmed UP position, the DOWN Button will begin to flash.
  7. Press and release the DOWN Button. The door will travel to the programmed DOWN position. Programming is complete.

\* If the garage door opener lights are flashing 5 times during the steps for Program the Travel, the programming has timed out. If the garage door opener lights are flashing 10 times during the steps for Program the Travel, the safety reversing sensors are misaligned or obstructed (refer to page 27). When the sensors are aligned and unobstructed, cycle the door through a complete up and down cycle using the remote control or the UP and DOWN buttons. Programming is complete. If you are unable to operate the door up and down, repeat the steps for Programming the Travel.



To watch a video, go to [tinyurl.com/kwbnhj](https://tinyurl.com/kwbnhj)

# Adjustments

## STEP 2 Test the Safety Reversal System

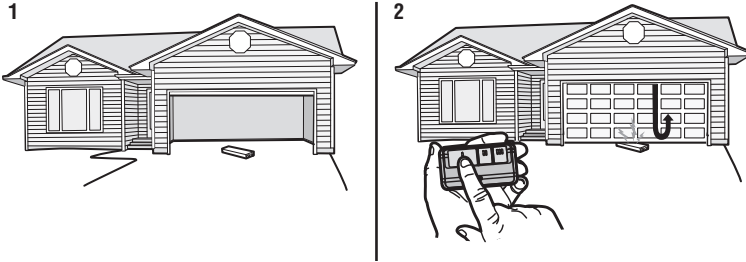
### **WARNING**

Without a properly installed safety reversal system, persons (particularly small children) could be SERIOUSLY INJURED or KILLED by a closing garage door.

- Safety reversal system MUST be tested every month.
- After ANY adjustments are made, the safety reversal system MUST be tested. Door MUST reverse on contact with 1-1/2" (3.8 cm) high object (or 2x4 laid flat) on the floor.

1. With the door fully open, place a 1-1/2 inch (3.8 cm) board (or a 2x4 laid flat) on the floor, centered under the garage door.
2. Press the remote control push button to close the door. The door MUST reverse when it makes contact with the board.

If the door stops and does not reverse on the obstruction, increase the down travel (refer to Adjustment Step 1). Repeat the test. When the door reverses upon contact with the 1-1/2 inch board, remove the board and open/close the door 3 or 4 times to test the adjustment. If the garage door opener continues to fail the safety reversal test, call a trained door systems technician.



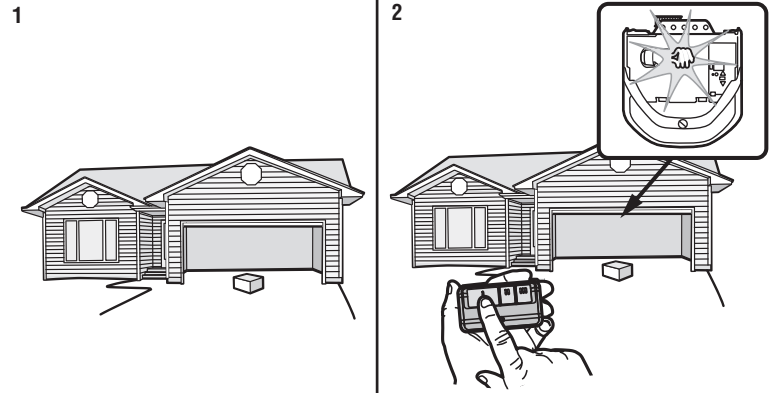
## STEP 3 Test the Protector System<sup>®</sup>

### **WARNING**

Without a properly installed safety reversing sensor, persons (particularly small children) could be SERIOUSLY INJURED or KILLED by a closing garage door.

1. Open the door. Place the garage door opener carton in the path of the door.
2. Press the remote control push button to close the door. The door will not move more than an inch (2.5 cm), and the garage door opener lights will flash 10 times.

The garage door opener will not close from a remote control if the LED in either safety reversing sensor is off (alerting you to the fact that the sensor is misaligned or obstructed). If the garage door opener closes the door when the safety reversing sensor is obstructed (and the sensors are no more than 6 inches [15 cm] above the floor), call for a trained door systems technician.



# Battery Backup

## STEP 1 Install the Battery

### **WARNING**

To reduce the risk of FIRE or INJURY to persons:

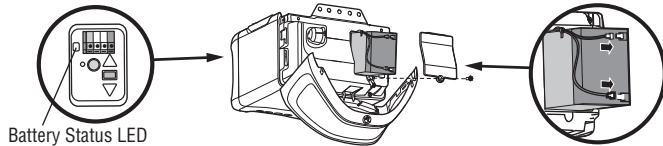
- Disconnect ALL electric and battery power BEFORE performing ANY service or maintenance.
- Use ONLY Chamberlain part # 41A6357-1 for replacement battery.
- DO NOT dispose of battery in fire. Battery may explode. Check with local codes for disposal instructions.

### **CAUTION**

ALWAYS wear protective gloves and eye protection when changing the battery or working around the battery compartment.

The battery backup allows access in and out of your garage, even when the power is out. The battery does not have to be fully charged to operate the garage door opener. When the garage door opener is operating on battery power, it will run slower and the battery status LED will glow solid orange, a beep will sound approximately every 2 seconds. The following features are unavailable when operating on battery power:

- Garage Door Opener Lights
- Unattended close devices and features (e.g. MyQ® Smartphone Control and Timer-to-Close)

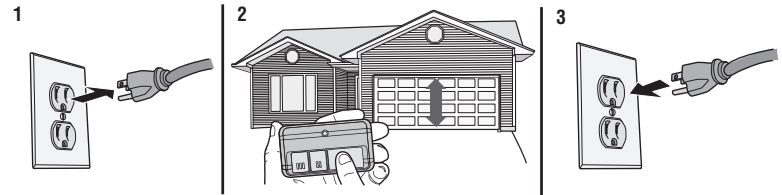


1. Unplug the garage door opener.
2. Open the light lens on the right side panel of the garage door opener. Use a Phillips head screwdriver to remove the battery cover on the garage door opener.
3. Partially insert the battery into the battery compartment with the terminals facing out.

4. Connect red (+) and black (-) wires from the garage door opener to the corresponding terminals on the battery.
5. Replace the battery cover.
6. Plug in the garage door opener.
7. Wait for the green Battery Status LED to start flashing before proceeding to test the battery.

## STEP 2 Test the Battery

1. Unplug the garage door opener. The battery status LED will either glow solid orange indicating opener is operating on battery power or will flash indicating low battery power.  
**NOTE:** Make sure the garage door opener is unplugged.
2. Open and close the door using the remote control or door control. The garage door opener may run slower if the battery is not fully charged. The battery will take 24 hours to fully charge.
3. Plug in the garage door opener. Verify the battery status LED is flashing green, indicating the battery is charging.



## Charge the Battery

The battery charges while the garage door opener is plugged into an electrical outlet. The battery requires 24 hours to fully charge. A fully charged battery supplies 12Vdc to the garage door opener for one to two days of normal operation during an electrical power outage. After the electrical power has been restored, the battery will recharge within 24 hours. The battery will last approximately 1 to 2 years with normal usage. To obtain maximum battery life and prevent damage, disconnect the battery when the garage door opener is unplugged for an extended period of time, such as a summer or winter home.

# MyQ® Smartphone Control

## Get Connected

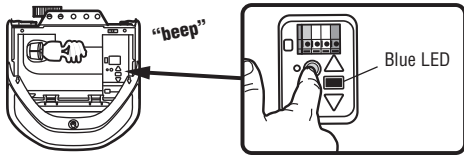
...and control your garage door opener with the MyQ® App.

### You will need:

- A smartphone or tablet
- Broadband Internet connection
- A strong Wi-Fi signal (**2.4 Ghz, 802.11b/g/n required**) in the garage, see page 3
- Password for your home network
- MyQ® serial number located on the garage door opener

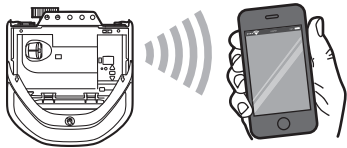
### 1. ACTIVATE "Wi-Fi LEARN" MODE

Press and release the yellow LEARN button on the garage door opener 3 times. The garage door opener will beep once and a blue light will flash. You have 20 minutes to complete the connection process.



### 2. CONNECT TO THE MyQ® Wi-Fi NETWORK

On your mobile device, go to Settings > Wi-Fi, and select the network with the "MyQ-" prefix.



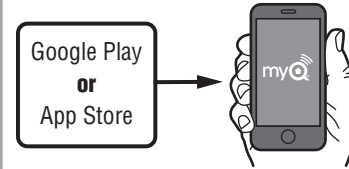
### 3. CONNECT THE GARAGE DOOR OPENER TO YOUR HOME Wi-Fi NETWORK

Launch the web browser (such as Safari or Chrome) on your mobile device and go to "setup.myqdevice.com". Follow the on-screen prompts to add the garage door opener to your home Wi-Fi network.



### 4. SETUP YOUR MyQ® ACCOUNT

Download the MyQ® app from the App Store<sup>SM</sup> or Google Play<sup>TM</sup> store. Sign up for your MyQ® account and add the MyQ® serial number to your account.



**Congratulations you've successfully completed the setup. Enjoy MyQ® Smartphone Control!**

In addition to controlling your garage door opener you can control your house lighting with additional MyQ® accessories, see page 41.

#### NOTES:

*The MyQ® Smartphone Control WILL NOT work if the garage door opener is operating on battery power.*

*To erase the Wi-Fi settings, see page 37.*

**To learn more go to [wifihelp.chamberlain.com](http://wifihelp.chamberlain.com).**

# IMPORTANT INSTALLATION INSTRUCTIONS



## To reduce the risk of SEVERE INJURY or DEATH:

1. READ AND FOLLOW ALL WARNINGS AND INSTRUCTIONS.
2. ALWAYS keep remote controls out of reach of children. NEVER permit children to operate or play with garage door control push buttons or remote controls.
3. ONLY activate garage door when it can be seen clearly, it is properly adjusted, and there are no obstructions to door travel.
4. ALWAYS keep garage door in sight and away from people and objects until completely closed. NO ONE SHOULD CROSS THE PATH OF THE MOVING DOOR.
5. NO ONE SHOULD GO UNDER A STOPPED, PARTIALLY OPENED DOOR.
6. If possible, use emergency release handle to disengage trolley ONLY when garage door is CLOSED. Use caution when using this release with the door open. Weak or broken springs or unbalanced door could result in an open door falling rapidly and/or unexpectedly and increasing the risk of SEVERE INJURY or DEATH.
7. NEVER use emergency release handle unless garage doorway is clear of persons and obstructions.
8. NEVER use handle to pull garage door open or closed. If rope knot becomes untied, you could fall.
9. After ANY adjustments are made, the safety reversal system MUST be tested.
10. Safety reversal system MUST be tested every month. Garage door MUST reverse on contact with 1-1/2" (3.8 cm) high object (or a 2x4 laid flat) on the floor. Failure to adjust the garage door opener properly increases the risk of SEVERE INJURY or DEATH.
11. ALWAYS KEEP GARAGE DOOR PROPERLY BALANCED (see page 2). An improperly balanced door may NOT reverse when required and could result in SEVERE INJURY or DEATH.
12. ALL repairs to cables, spring assemblies and other hardware, ALL of which are under EXTREME tension, MUST be made by a trained door systems technician.
13. ALWAYS disconnect electric and battery power to garage door opener BEFORE making ANY repairs or removing covers.
14. This operator system is equipped with an unattended operation feature. The door could move unexpectedly. NO ONE SHOULD CROSS THE PATH OF THE MOVING DOOR.
15. DO NOT install on a one-piece door if using devices or features providing unattended close. Unattended devices and features are to be used ONLY with sectional doors.

## 16. SAVE THESE INSTRUCTIONS.

# Operation

## Using your Garage Door Opener

- The garage door opener can be activated with a wall-mounted door control, remote control, wireless keyless entry, MyQ® Smartphone Control app or MyQ® Garage Door Monitor. When the door is closed and the garage door opener is activated the door will open. If the door senses an obstruction or is interrupted while opening the door will stop. When the door is in any position other than closed and the garage door opener is activated the door will close. If the garage door opener senses an obstruction while closing, the door will reverse. If the obstruction interrupts the sensor beam the garage door opener lights will blink 10 times. If the door is fully open, and the safety reversing sensors are not installed, or are misaligned, the door will not close from a remote control, TTC, or the MyQ® Smartphone Control app. However, you can close the door by holding the button on the door control or the ENTER button on the keyless entry until the door is fully closed.
- The garage door opener light bulbs will turn on when the opener is initially plugged in; power is restored after interruption, or when the garage door opener is activated. The lights will turn off automatically after 4-1/2 minutes. The lights will turn on when someone enters through the open garage door and the safety reversing sensor infrared beam is obstructed, see page 35. Use an incandescent A19 light bulb (100W maximum) or for maximum energy efficiency a 26W (100W equivalent) compact fluorescent light (CFL) bulb. **NOTE:** Do not use halogen, short neck, or specialty light bulbs as these may overheat the end panel or light socket. Do not use LED bulbs as they may reduce the range or performance of your remote controls.

## To Open the Door Manually

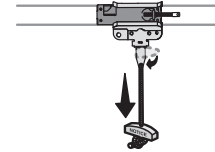
### **WARNING**

To prevent possible **SERIOUS INJURY** or **DEATH** from a falling garage door:

- If possible, use emergency release handle to disengage trolley **ONLY** when garage door is **CLOSED**. Weak or broken springs or unbalanced door could result in an open door falling rapidly and/or unexpectedly.
- **NEVER** use emergency release handle unless garage doorway is clear of persons and obstructions.
- **NEVER** use handle to pull door open or closed. If rope knot becomes untied, you could fall.

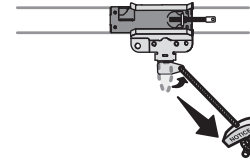
### DISCONNECT THE TROLLEY

1. The door should be fully closed if possible.
2. Pull down on the emergency release handle so the trolley release arm snaps to the vertical position. The door can now be raised and lowered as often as necessary.



### TO RE-CONNECT THE TROLLEY

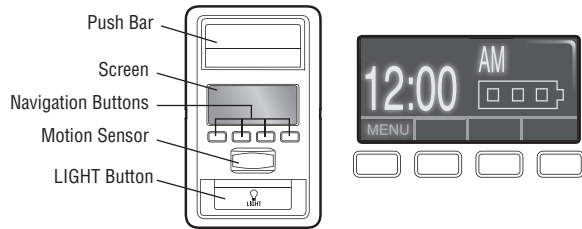
1. Pull the emergency release handle toward the garage door opener so the trolley release arm snaps to the horizontal position. The trolley will reconnect on the next UP or DOWN operation, either manually or by using the door control or remote control.



# Operation

## Door Control

**SYNCHRONIZE THE DOOR CONTROL:** To synchronize the door control to the garage door opener, press the push bar until the garage door opener activates (it may take up to 3 presses). Test the door control by pressing the push bar; each press of the push bar will activate the garage door opener.



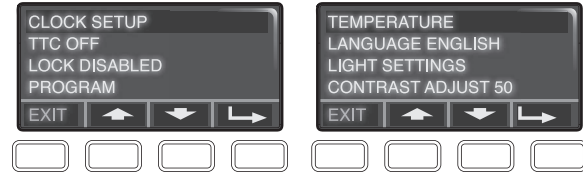
**PUSH BAR:** Press the push bar to open or close the door.

**LIGHT BUTTON:** Press the LIGHT button to turn the garage door opener lights on or off. When the lights are turned on they will stay on until the LIGHT button is pressed again, or until the garage door opener is activated. Once the garage door opener is activated the lights will turn off after the specified period of time (the factory default is 4-1/2 minutes). The LIGHT button will not control the lights when the door is in motion. The Light Feature will turn on the light on the garage door opener when someone enters through the open garage door and the safety reversing sensor infrared beam is obstructed.

**MOTION SENSOR:** The motion sensor automatically turns on the garage door opener lights when motion is detected. The lights come on for the set period of time, and then shut off. If using the garage door opener light as a work light disable the motion sensor, otherwise the lights may turn off automatically if you are beyond the range of the motion sensor.

**NAVIGATION AND SCREEN:** The screen displays the time, temperature, and current battery charge (if applicable) until the menu button is pressed, and then it will display the menu options. If there is a problem with the garage doors opener the screen will display an error code (diagnostic code, see page 39). The features on the door control can be programmed through a series of menus on the screen. Use the navigation buttons to scroll through the menus and make selections.

## MENU OPTIONS



**CLOCK SETUP:** Set the time; choose 12 or 24 hour clock and show/hide clock.

**TEMPERATURE:** Display the temperature in Fahrenheit or Celsius and show/hide the temperature.

**LANGUAGE:** Select English, Spanish or French.

**CONTRAST ADJUST:** Adjust the screen contrast.

### LIGHT SETTINGS:

To change the amount of time the lights stay on:

1. Select LIGHT SETTINGS from the menu.
2. Select LIGHT TIME.
3. Select the time interval.

To turn the Light Feature on or off (Factory default is On):

1. Select LIGHT SETTINGS from the menu.
2. Select AUTOMATIC LIGHTS.
3. Select ENTRY SENSOR.

To turn the motion sensor on or off:

1. Select LIGHT SETTINGS from the menu.
2. Select AUTOMATIC LIGHTS.
3. Select MOTION SENSOR.

**LOCK:** Prevents the garage door opener from being activated by remote controls while still allowing activation from the door control and keyless entry.

To turn the LOCK feature ON or OFF:

1. Select LOCK from the menu. When the LOCK feature is on, a message displays on the screen.

# Operation

## MENU OPTIONS (CONTINUED)

**TIMER-TO-CLOSE (TTC) (Factory default is set to off):** The Timer-to-Close feature automatically closes the door after a specified time period and can be adjusted using the door control. **DO NOT** enable TTC if operating a one-piece door. TTC is to be used **ONLY** with sectional doors. The garage door opener will beep and the lights will flash before closing the door. The TTC feature will deactivate if the garage door encounters an obstruction twice; or the safety reversing sensors are incorrectly installed. The garage door will reverse open and **WILL NOT** close until the obstructions are clear or the safety reversing sensors are correctly installed. When the obstruction has been cleared or the safety reversing sensors have been aligned, the door will close when the garage door opener is activated. **TTC WILL NOT** work if the garage door opener is operating by battery power or if the safety reversing sensors are misaligned. This feature is **NOT** intended to be the primary method of closing the door. A keyless entry should be installed in the event of an accidental lock out when using this feature.

To turn TTC on or off or to set the TTC time interval:

1. Select TTC from the menu.
2. Select a time interval of 1, 5, 10 minutes or a custom setting up to 99 minutes. Once the TTC has been set and the door is open, a message will display on the screen with the selected time interval.

To temporarily suspend the TTC feature select HOLD. Select REL to resume normal TTC operation.

**PROGRAM:** Any compatible remote control, wireless keyless entry, or MyQ® devices can be programmed to the garage door using the PROGRAM option from the menu.

## Remote Control and Keyless Entry

**Pre-programmed remote control included, no need to program the remote.**

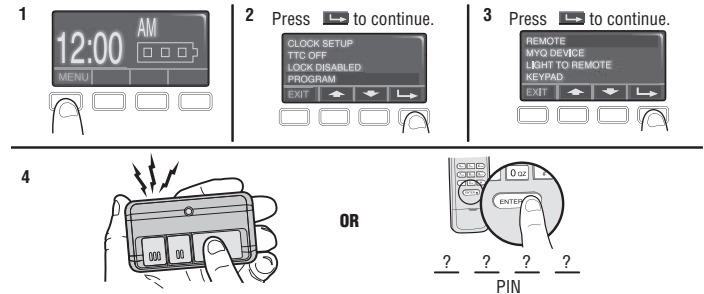
To add or reprogram a remote control, follow the instructions below. Older Chamberlain remote controls are **NOT** compatible, see page 41 for compatible accessories.

### PROGRAM USING THE DOOR CONTROL

1. Press the navigation button below "MENU" to view the Features menu.
2. Use the navigation buttons to scroll to "PROGRAM".
3. Select "REMOTE" or "KEYPAD" to program from the program menu.
4. **Remote Control:** Press the button on the remote control that you wish to operate your garage door.

**Keyless Entry:** Enter a 4-digit personal identification number (PIN) of your choice on the keyless entry keypad. Then press the ENTER button.

The garage door opener lights will flash (or two clicks will be heard) when the code has been programmed. Repeat the steps for programming additional remote controls or keyless entry devices. If programming is unsuccessful, repeat the steps using the learn button on the garage door opener.



To watch a video, go to [tinyurl.com/lcsf6xt](https://tinyurl.com/lcsf6xt)

## HomeLink®

If your vehicle is equipped with HomeLink, a Compatibility Bridge™ (not included) may be necessary for certain vehicles. Visit [bridge.chamberlain.com](https://bridge.chamberlain.com) to find out if a Bridge is needed.



# Operation

## To Erase the Memory

### ERASE ALL REMOTE CONTROLS AND KEYLESS ENTRIES

1. Press and hold the LEARN button on garage door opener until the learn LED goes out (approximately 6 seconds). All remote control and keyless entry codes are now erased. Reprogram any accessory you wish to use.

### ERASE ALL REMOTE CONTROLS, KEYLESS ENTRIES AND MyQ® DEVICES FROM GARAGE DOOR OPENER

1. Press and hold the LEARN button on garage door opener until the learn LED goes out (approximately 6 seconds).
2. Immediately press and hold the LEARN button again until the learn LED goes out. All codes are now erased. Reprogram any accessory you wish to use.

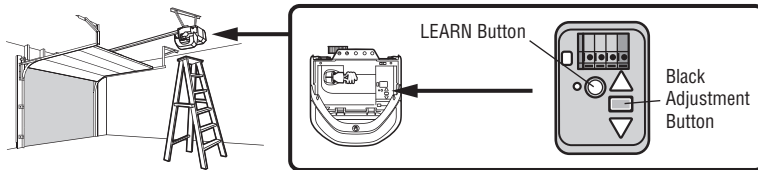
### ERASE THE CONNECTION FROM GARAGE DOOR OPENER TO HOME WI-FI NETWORK

1. Press and hold the black adjustment button on the garage door opener until 3 beeps are heard (Approximately 6 seconds).

### ERASE A MyQ® ACCOUNT

1. Go to [www.mychamberlain.com](http://www.mychamberlain.com) to access your MyQ® account.
2. Go to "Account" section.
3. Click "Delete Account".

Go to [wifihelp.chamberlain.com](http://wifihelp.chamberlain.com) for more details.



# Maintenance

## Maintenance Schedule

### EVERY MONTH

- Manually operate door. If it is unbalanced or binding, call a trained door systems technician.
- Check to be sure door opens and closes fully. Adjust if necessary, see page 28.
- Test the safety reversal system. Adjust if necessary, see page 30.

### EVERY YEAR

- Oil door rollers, bearings and hinges. The garage door opener does not require additional lubrication. Do not grease the door tracks.
- Test the battery backup and consider replacing the battery to ensure the garage door opener will operate during an electrical power outage, see page 31 to test the battery backup.

## The Remote Control Battery

### **WARNING**

To prevent possible **SERIOUS INJURY** or **DEATH**:

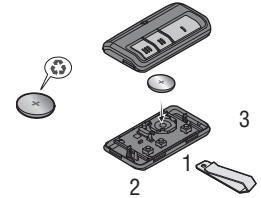
- NEVER allow small children near batteries.
- If battery is swallowed, immediately notify doctor.

To reduce risk of fire, explosion or chemical burn:

- Replace **ONLY** with 3V CR2032 coin batteries.
- **DO NOT** recharge, disassemble, heat above 212°F (100°C) or incinerate.

The 3V CR2032 Lithium battery should produce power for up to 3 years. If the battery is low, the remote control's LED will not flash when the button is pressed.

To replace battery, pry open the case first in the middle (1), then at each side (2 and 3) with the visor clip. Replace the batteries with only 3V CR2032 coin cell batteries. Insert battery positive side up. Dispose of old batteries properly.



**NOTICE:** To comply with FCC and/or Industry Canada (IC) rules, adjustment or modifications of this transceiver are prohibited. THERE ARE NO USER SERVICEABLE PARTS.

This device complies with Part 15 of the FCC rules and IC RSS-210. Operation is subject to the following two conditions: (1) this device may not cause harmful interference, and (2) this device must accept any interference received, including interference that may cause undesired operation.

This device must be installed in a way where a minimum 8" (20 cm) distance is maintained between users/bystanders and device.

**AVIS:** Les règles de la FCC et/ou d'Industrie Canada (IC) interdisent tout ajustement ou toute modification de ce récepteur. IL N'EXISTE AUCUNE PIÈCE SUSCEPTIBLE D'ÊTRE ENTRETENUE PAR L'UTILISATEUR.

Cet appareil est conforme aux dispositions de la partie 15 du règlement de la FCC et de l' norme IC RSS-210. Son utilisation est assujettie aux deux conditions suivantes: (1) ce dispositif ne peut causer des interférences nuisibles, et (2) ce dispositif doit accepter toute interférence reçue, y compris une interférence pouvant causer un fonctionnement non souhaité.

Cet appareil doit être installé de manière à laisser une distance d'au moins 20 cm (8 po) entre celui-ci et l'utilisateur ou toute personne.

# Troubleshooting

## Diagnostic Chart

Your garage door opener is programmed with self-diagnostic capabilities. The UP and DOWN arrows on the garage door opener flash the diagnostic codes.

DIAGNOSTIC CODE		SYMPTOM	SOLUTION
Up Arrow Flash(es)	Down Arrow Flash(es)		
1	1	The garage door opener will not close and the light bulbs flash.	Safety reversing sensors are not installed, connected, or wires may be cut. Inspect sensor wires for a disconnected or cut wire.
1	2	The garage door opener will not close and the light bulbs flash.	There is a short or reversed wire for the safety reversing sensors. Inspect safety sensor wire at all staple and connection points, replace wire or correct as needed.
1	3	The door control will not function.	The wires for the door control are shorted or the door control is faulty. Inspect door control wires at all staple and connection points, replace wire or correct as needed.
1	4	The garage door opener will not close and the light bulbs flash.	Safety reversing sensors are misaligned or were momentarily obstructed. Realign both sensors to ensure both LEDs are steady and not flickering. Make sure nothing is hanging or mounted on the door that would interrupt the sensor's path while closing.
1	5	Door moves 6-8" (15-20 cm) stops or reverses.	Manually open and close the door. Check for binding or obstructions, such as a broken spring or door lock, correct as needed. Check wiring connections at travel module and at the logic board. Replace travel module if necessary.
		No movement, only a single click.	Manually open and close the door. Check for binding or obstructions, such as a broken spring or door lock, correct as needed. Replace logic board if necessary.
		Opener hums for 1-2 seconds no movement.	Manually open and close the door. Check for binding or obstructions, such as a broken spring or door lock, correct as needed. Replace motor if necessary.
1	6	Door coasts after it has come to a complete stop.	Program travel to coasting position or have door balanced by a trained door systems technician.
2	1-5	No movement, or sound.	Replace logic board.
3	2	Unable to set the travel or retain position.	Check travel module for proper assembly, replace if necessary.
3	3	The battery status LED is constantly flashing green.	Battery backup charging circuit error, replace the logic board.
4	1-4	Door is moving stops or reverses.	Manually open and close the door. Check for binding or obstructions, such as a broken spring or door lock, correct as needed. If the door is binding or sticking contact a trained door systems technician. If door is not binding or sticking attempt to reprogram travel (refer to page 29).
4	5	Opener runs approximately 6-8" (15-20 cm), stops and reverses.	Communication error to travel module. Check travel module connections, replace travel module if necessary.

# Troubleshooting

DIAGNOSTIC CODE		SYMPTOM	SOLUTION
Up Arrow Flash(es)	Down Arrow Flash(es)		
4	6	The garage door opener will not close and the light bulbs flash.	Safety reversing sensors are misaligned or were momentarily obstructed. Realign both sensors to ensure both LEDs are steady and not flickering. Make sure nothing is hanging or mounted on the door that would interrupt the sensor's path while closing.

## The garage door opener can beep for several reasons:

- Operating on battery power or the 12 Vdc battery needs to be replaced, see page 31.
- Garage door opener has been activated through a device or feature such as Timer-to-Close or garage door monitor, see page 36.

## My remote control will not activate the garage door:

- Verify the lock feature is not activated on the door control.
- Reprogram the remote control.
- If the remote control will still not activate the door check the diagnostic codes to ensure the garage door opener is working properly.

## My door will not close and the light bulbs blink on my motor unit:

The safety reversing sensor must be connected and aligned correctly before the garage door opener will move in the down direction.

- Verify the safety reversing sensors are properly installed, aligned and free of any obstructions.

## My garage door opener light(s) will not turn off when the door is open:

The garage door opener is equipped with a feature that turns the light on when the safety reversing sensors have been obstructed or when the motion sensor on the door control detects movement in the garage. These features can be disabled using the door control, see page 35.

## Wi-Fi troubleshooting

The garage door opener will NOT enter Wi-Fi LEARN mode:

- After the initial installation of the garage door opener, the garage door opener must complete a full cycle (open and closed) before the Wi-Fi LEARN mode can be activated.
- If there has been a recent power outage, the garage door opener must complete a full cycle before the Wi-Fi LEARN mode can be activated.

See page 32 to activate Wi-Fi LEARN mode.

If your black adjustment button is not solid green go to [wifihelp.chamberlain.com](http://wifihelp.chamberlain.com).

## My vehicle's Homelink® is not programming to my garage door opener:

Compatibility Bridge™ (not included) may be necessary for certain vehicles. Visit [bridge.chamberlain.com](http://bridge.chamberlain.com) to find out if a Bridge is needed.

## My neighbor's remote control opens my garage door:

Erase the memory from your garage door opener and reprogram the remote control(s).

## Green battery status LED - All systems are normal:

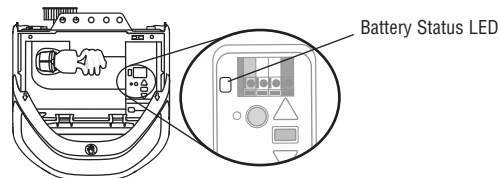
- A solid green LED light indicates the battery is fully charged.
- A flashing green LED indicates the battery is being charged.

## Orange battery status LED - The garage door opener has lost power and is in battery backup mode:

- A solid orange LED with beep, sounding approximately every 2 seconds, indicates the garage door opener is operating on battery power.
- A flashing orange LED with beep, sounding every 30 seconds, indicates the battery is low.

## Red battery status LED - The garage door opener's 12V battery needs to be replaced:

- A solid red LED with beep, sounding every 30 seconds, indicates the 12V battery will no longer hold a charge and needs to be replaced. Please call for replacement battery to allow your system to operate during a power outage.



# Accessories

**8808CB 8 Foot (2.4 m) Rail Extension:**  
To allow an 8 foot (2.4 m) door to open fully.



**041A5281-1 Extension Brackets:**  
(Optional) For safety reversing sensor installation onto the wall or floor.



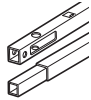
**953EV Remote Control:**  
Works with ALL Chamberlain openers from 1993-present. MyQ® compatible. Includes visor clip.



**956EV Keychain Remote Control:**  
Works with ALL Chamberlain openers from 1993-present. MyQ® compatible. With key ring.



**8810CB 10 Foot (3 m) Rail Extension:**  
To allow a 10 foot (3 m) door to open fully.



**CLLP1 Laser Parking Assistant:**  
Park in the right spot every time! A laser beam is activated by your garage door opener and projected on to the dashboard of your vehicle to guide perfect parking.



**940EV Wireless Keypad:**  
For use outside of the home to enable access to the garage using a 4-digit PIN. Works with ALL Chamberlain openers from 1993-present. MyQ® compatible.



**41A6357-1 Standby Power System Battery:**  
Provides backup power to the garage door opener.



## MyQ® Accessories

You can program up to 10 MyQ® accessories to your MyQ® account.

**PILCEV MyQ® Remote Lamp Control:**  
Monitor and control this plug in lamp switch with the MyQ® Smartphone App.



**WSLCEV MyQ® Interior/Exterior Light Switch**  
Monitor and control this wall light switch with the MyQ® Smartphone App.



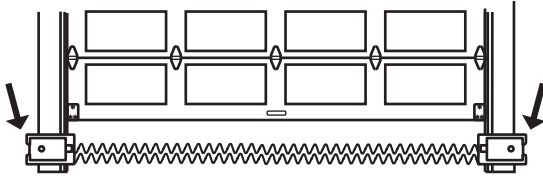
**CIGBU MyQ® Internet Gateway:**  
Offers longer range wireless signal than standard Wi-Fi. Plugs into your home router as an optional way to provide MyQ® Smartphone Control for your garage door opener and MyQ® light controls.



# Warranty

## STOP!

This garage door opener **WILL NOT** work until the safety reversing sensors are properly installed and aligned.



## Contact Information

For installation and service information call:

**1-800-528-9131**

Before calling, please have the model number of the garage door opener.

If you are calling about a Troubleshooting issue, it is recommended that you have access to your garage door opener while calling.

If you are ordering a repair part please have the following information:  
part number, part name, and model number.

## CHAMBERLAIN® LIMITED WARRANTY

The Chamberlain Group, Inc.® ("Seller") warrants to the first retail purchaser of this product, for the residence in which this product is originally installed, that it is free from defects in materials and/or workmanship for a specific period of time as defined below (the "Warranty Period"). The warranty period commences from the date of purchase.

WARRANTY PERIOD				
Parts	Motor	Accessories	Belt	Battery Backup
5 Years	Lifetime	1 year	Lifetime	1 year

The proper operation of this product is dependent on your compliance with the instructions regarding installation, operation, and maintenance and testing. Failure to comply strictly with those instructions will void this limited warranty in its entirety. If, during the limited warranty period, this product appears to contain a defect covered by this limited warranty, call 1-800-528-9131, toll free, before dismantling this product. You will be advised of disassembly and shipping instructions when you call. Then send the product or component, pre-paid and insured, as directed to our service center for warranty repair. Please include a brief description of the problem and a dated proof-of-purchase receipt with any product returned for warranty repair. Products returned to Seller for warranty repair, which upon receipt by Seller are confirmed to be defective and covered by this limited warranty, will be repaired or replaced (at Seller's sole option) at no cost to you and returned pre-paid. Defective parts will be repaired or replaced with new or factory rebuilt parts at Seller's sole option. [You are responsible for any costs incurred in removing and/or reinstalling the product or any component.]

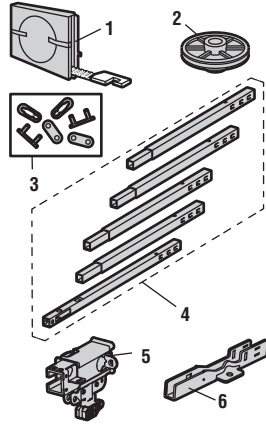
**ALL IMPLIED WARRANTIES FOR THE PRODUCT, INCLUDING BUT NOT LIMITED TO ANY IMPLIED WARRANTIES OF MERCHANTABILITY AND FITNESS FOR A PARTICULAR PURPOSE, ARE LIMITED IN DURATION TO THE APPLICABLE LIMITED WARRANTY PERIOD SET FORTH ABOVE FOR THE RELATED COMPONENT(S), AND NO IMPLIED WARRANTIES WILL EXIST OR APPLY AFTER SUCH PERIOD. Some States and Provinces do not allow limitations on how long an implied warranty lasts, so the above limitation may not apply to you. THIS LIMITED WARRANTY DOES NOT COVER NON-DEFECT DAMAGE, DAMAGE CAUSED BY IMPROPER INSTALLATION, OPERATION OR CARE (INCLUDING, BUT NOT LIMITED TO ABUSE, MISUSE, FAILURE TO PROVIDE REASONABLE AND NECESSARY MAINTENANCE, UNAUTHORIZED REPAIRS OR ANY ALTERATIONS TO THIS PRODUCT), LABOR CHARGES FOR REINSTALLING A REPAIRED OR REPLACED UNIT, REPLACEMENT OF CONSUMABLE ITEMS (E.G., BATTERIES IN REMOTE CONTROL TRANSMITTERS AND LIGHT BULBS), OR UNITS INSTALLED FOR NON-RESIDENTIAL USE. THIS LIMITED WARRANTY DOES NOT COVER ANY PROBLEMS WITH, OR RELATING TO, THE GARAGE DOOR OR GARAGE DOOR HARDWARE, INCLUDING BUT NOT LIMITED TO THE DOOR SPRINGS, DOOR ROLLERS, DOOR ALIGNMENT OR HINGES. THIS LIMITED WARRANTY ALSO DOES NOT COVER ANY PROBLEMS CAUSED BY INTERFERENCE. UNDER NO CIRCUMSTANCES SHALL SELLER BE LIABLE FOR CONSEQUENTIAL, INCIDENTAL OR SPECIAL DAMAGES ARISING IN CONNECTION WITH USE, OR INABILITY TO USE, THIS PRODUCT. IN NO EVENT SHALL SELLER'S LIABILITY FOR BREACH OF WARRANTY, BREACH OF CONTRACT, NEGLIGENCE OR STRICT LIABILITY EXCEED THE COST OF THE PRODUCT COVERED HEREBY. NO PERSON IS AUTHORIZED TO ASSUME FOR US ANY OTHER LIABILITY IN CONNECTION WITH THE SALE OF THIS PRODUCT.**

Some states and provinces do not allow the exclusion or limitation of consequential, incidental or special damages, so the above limitation or exclusion may not apply to you. This limited warranty gives you specific legal rights, and you may also have other rights, which vary from state to state and province to province.

# Repair Parts

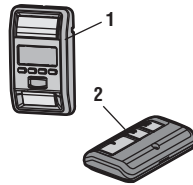
## Rail Assembly Parts

Description	Part Number
1 Belt	041A5250
2 Pulley	144C54
3 Master Link	4A1008
4 Rail	041A5665
5 Trolley Assembly	041C5141-2
6 "U" Bracket	041D0598-1
<b>Not Shown</b>	
Wear Pads	183A163
Hardware Bag	041A7920-2



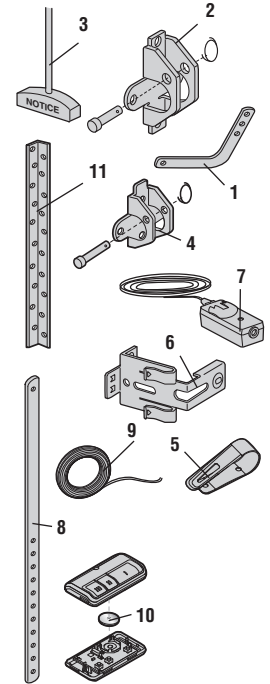
## Accessories

Description	Part Number
1 Smart Control Panel®	041A7305-1
2 Remote Control	953ESTD



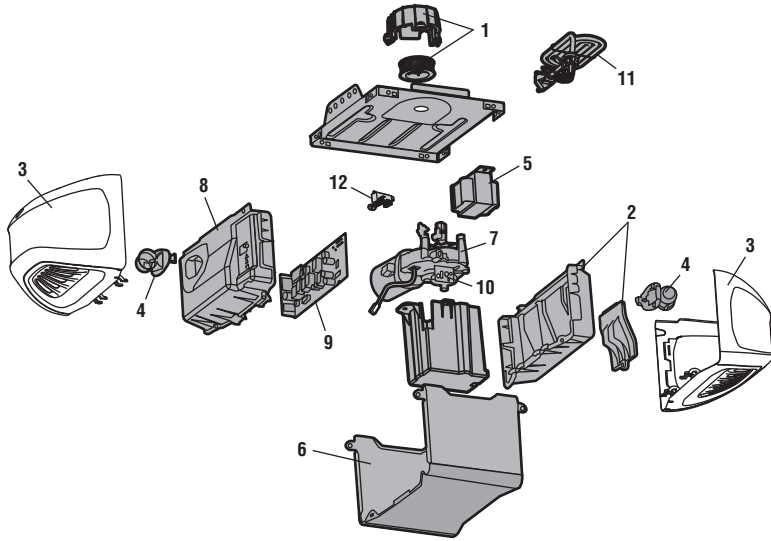
## Installation Parts

Description	Part Number
1 Curved Door Arm	178B35
2 Door Bracket with Clevis Pin and Fastener	41A5047-1
3 Emergency Release Rope and Handle	41A2828
4 Header Bracket with Clevis Pin and Fastener	41A5047-2
5 Remote Control Visor Clip	29B137
6 Safety Sensor Bracket	041A5266-3
7 Safety Sensor Kit	41A5034
8 Straight Door Arm	178B34
9 White and Red/White Wire	41B4494-1
10 3V CR2032 Lithium Battery	10A20
11 Hanging Brackets	12B776
<b>Not Shown</b>	
Owner's Manual	114A5036



# Repair Parts

## Garage Door Opener Parts



Description	Part Number
1 Sprocket and Sprocket Cover with Screws	041C1751
2 End Panel with light socket	041D7639-1
3 Light Lens	041D7572
4 Light Socket	041C0279
5 Transformer	041D0277-1
6 Cover	041D8810
7 Motor with Travel Module	041D8006-1
8 End Panel for Receiver Logic Board with light socket	041D8214
9 Receiver Logic Board	050DCTWF
10 Travel Module	041D8071-4
11 Line Cord	041B4245-1
12 Terminal Block	041A3150
<b>Not Shown</b>	
Wire Harness	041D8255





## Manual del propietario B970

Abre-puertas de garaje  
de correa

### SÓLO PARA USO RESIDENCIAL

INCLUYE UN CONTROL REMOTO  
PROGRAMADO



PARA VER LOS VIDEOS  
CONÉCTESE A:  
[tinyurl.com/lgh5x3h](http://tinyurl.com/lgh5x3h)

# CHAMBERLAIN®

## Smart Garage Opener

- ¡Lea atentamente el contenido de este manual y las instrucciones de seguridad en él incluidas!
- Al terminar la instalación, deje el manual a mano cerca de la puerta del garaje.
- La puerta **NO SE CERRARÁ** si el Protector System® no está conectado y debidamente alineado.
- Como medida de seguridad, es conveniente efectuar inspecciones periódicas del mecanismo de apertura.
- El número de modelo se encuentra en el panel lateral izquierdo del abre puertas.
- Esté abre-puerta del garaje es compatibles con accesorios de MyQ® y Security+ 2.0®
- **NO** usarlo para puertas de una sola pieza si utiliza dispositivos de cierre automático. Los dispositivos y funciones automáticas deben usarse ÚNICAMENTE con puertas seccionales.



## Contenido

Preparación.....	2-5
Ensamblado .....	6-9
Instalación .....	10-27
Instale el control de la puerta ...	20-21
Instale la Protector System® .....	22-25
Conecte la alimentación eléctrica .....	26-27
Ajustes.....	28-30
Batería de repuesto .....	31
Control inteligente MyQ® Conéctese.....	32
Operación .....	33-37
Cómo usar su abre-puertas de garaje .....	34
Para abrir la puerta manualmente .....	34
Smart Control Panel® .....	35-36
Control remoto y teclado digital.....	36
Homelink® .....	36
Para borrar la memoria .....	37
Mantenimiento .....	38
Resolución de problemas .....	39-40
Accesorios .....	41
Garantía .....	42
Piezas de repuesto.....	43-44

[www.chamberlain.com](http://www.chamberlain.com)  
[www.mychamberlain.com](http://www.mychamberlain.com)

# Preparación

## Revisión de los símbolos y términos de seguridad

Este abre-puertas de garaje ha sido diseñado y probado para un funcionamiento seguro, siempre y cuando se instale, se opere, se mantenga y se pruebe cumpliendo al pie de la letra con todas las advertencias y las instrucciones incluidas en este manual.

Estas advertencias y/o símbolos de seguridad que aparecen a lo largo de este manual le alertarán de la existencia de riesgo de una **lesión seria o de muerte** si no se siguen las instrucciones correspondientes. El peligro puede ser eléctrico (electrocución) o mecánico. Lea las instrucciones con mucho cuidado.

### **ADVERTENCIA**

Mecánico

### **ADVERTENCIA**

Eléctrico

Cuando vea esta palabra clave en las páginas siguientes, se le alertará sobre la posibilidad de dañar la puerta del garaje y/o el abre-puertas de garaje si no se siguen las precauciones correspondientes. Lea las instrucciones con mucho cuidado.

### **PRECAUCIÓN**



**ADVERTENCIA:** Este producto puede exponerle a productos químicos (incluido el plomo), que a consideración del estado de California causan cáncer, defectos congénitos u otros daños reproductivos. Para más información, visite [www.P65Warnings.ca.gov](http://www.P65Warnings.ca.gov)

## Operaciones automatizadas

La función de temporizador de cierre (TTC), la aplicación de control inteligente MyQ® y el monitor de puertas y portones MyQ® son ejemplos de cierre automatizado que deben usarse ÚNICAMENTE en puertas seccionales. Todo dispositivo o función que cierre la puerta sin que el usuario la tenga directamente a la vista se considera cierre automatizado. El temporizador de cierre (TTC), el control inteligente MyQ® y otros dispositivos MyQ® se utilizarán ÚNICAMENTE en puertas seccionales.

## Compruebe la puerta

### **ADVERTENCIA**

Para evitar una **LESIÓN GRAVE O INCLUSO LA MUERTE**:

- SIEMPRE llame a un técnico especializado en sistemas de puertas si la puerta del garaje se atasca, atora o si está desequilibrada. Es posible que una puerta de cochera que no esté bien equilibrado NO retroceda cuando se requiera.
- NUNCA intente aflojar, mover ni ajustar la puerta de su cochera, los resortes de la puerta, los cables, las poleas, las ménsulas ni el herraje, pues TODOS estos elementos están bajo una tensión EXTREMA.
- Desarme TODOS los seguros y retire TODAS las cuerdas conectadas a la puerta de el garaje ANTES de instalar y opere el abre-puertas para evitar que estas se enreden.
- NO usarlo para puertas de una sola pieza si utiliza dispositivos de cierre automático. Los dispositivos y funciones automáticas deben usarse ÚNICAMENTE con puertas seccionales.

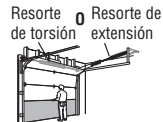
### **PRECAUCIÓN**

Para evitar daños a la puerta y al abre-puertas:

- SIEMPRE desarme las cerraduras ANTES de instalar y/o de operar el abre-puertas.
- SOLAMENTE opere el abre-puertas de garaje con corriente de 120 V, 60 Hz para evitar su mal funcionamiento y que el abre-puertas se dañe.

Antes de comenzar:

1. Retire cualquier cuerda o cable que esté conectado a la puerta del garaje. Levante la puerta hasta la mitad de su recorrido. Suelte la puerta. Si está equilibrada, deberá mantenerse totalmente en esa posición con sólo el soporte de los resortes.
2. Suba y baje la puerta para ver si se atora con algo o si se trava. Si su puerta se atora o se trava, o no está equilibrada, llame a un técnico especializado en sistemas de puertas.
3. Revise el cierre en el parte de abajo de la puerta. El espacio entre la base de la puerta y el piso no debe exceder 6 mm (1/4 pulg.). De no ser así, el sistema de reversa de seguridad no va a funcionar debidamente.
4. El abre-puerta se debe instalar por encima del centro de la puerta. Si existe algún resorte de tensión o placa de apoyo en el paso de la ménsula del cabezal, se puede instalar hasta a 1.2 m (4 pies) a la derecha o a la izquierda del centro de la puerta. Vea la página 11.



# Preparación

## Pruebe la intensidad de señal de Wi-Fi® en el garaje.

Necesitará un router de Wi-Fi y un teléfono inteligente u otro dispositivo móvil. Verifique que el dispositivo móvil esté conectado a su red Wi-Fi. Colóquese con el dispositivo móvil en el lugar donde se instalará el abre-puerta y verifique la intensidad de la señal de Wi-Fi.



### Verifique la intensidad de la señal. Si ve:



**Hay buena intensidad de señal Wi-Fi. ¡Ahora está listo!**  
Instale el abre-puerta de garaje nuevo.

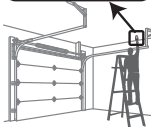


**La señal de Wi-Fi es débil.**  
Lo más probable es que el abre-puerta de garaje se conecte a la red Wi-Fi. Si no lo hiciera, intente una de las siguientes alternativas.



### No hay señal de Wi-Fi. Intente una de las siguientes cosas:

- Mueva el router más cerca del abre-puerta para reducir la interferencia de las paredes y otros objetos.
- Adquiera un multiplicador de alcance de Wi-Fi
- Adquiera un Internet Gateway MyQ® de Chamberlain (CIGBU) véase la página 41



En [wifihelp.chamberlain.com](http://wifihelp.chamberlain.com) encontrará más detalles

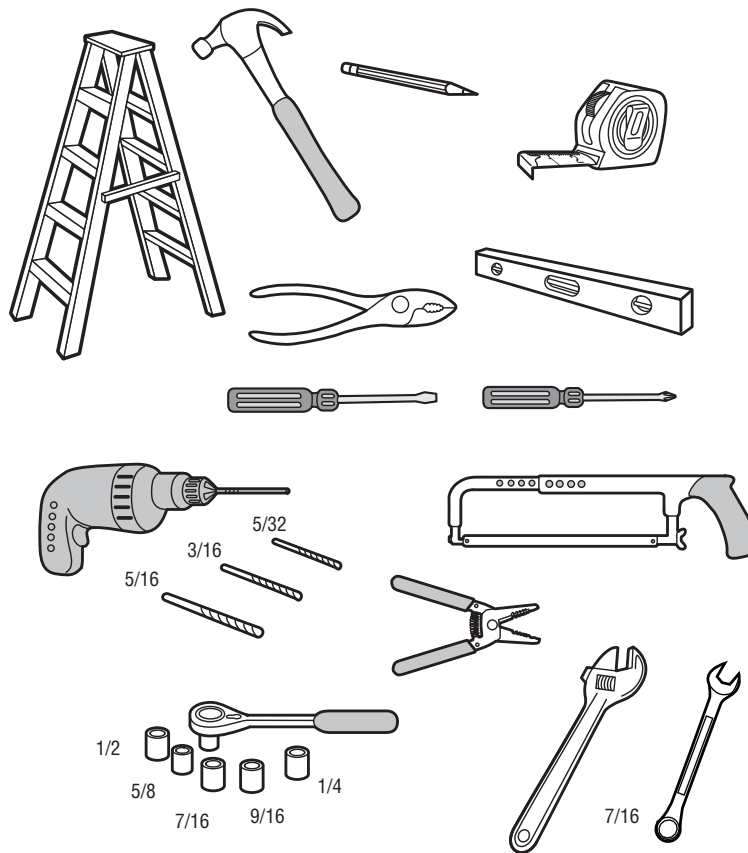
Para conectar el abre-puerta de garaje a la red Wi-Fi vea Control de teléfono inteligente MyQ® en la página 32.

## Elementos adicionales que posiblemente necesite:

Inspeccione el área de su garaje para ver si necesitará alguno de los siguientes elementos:

- **(2) Pedazos de madera de 5 X 10 CM (2 X 4 pulg.):** Se puede usar para ajustar la ménsula del cabezal a los soportes estructurales. También se usa para colocar el abre-puertas del garaje durante la instalación y para probar los sensores de reversa de seguridad.
- **Ménsula de soporte y herraje de sujeción:** Se deben usar si el cielo raso de su garaje está terminado.
- **Ménsula de extensión (MODELO 041A5281-1) o bloques de madera:** Dependiendo de la estructura del garaje, se podrían necesitar ménsulas de extensión o bloques de madera para instalar el sensor de reversa de seguridad.
- **Herraje de sujeción:** Para el montaje en el piso alternativo del sensor de reversa de seguridad, se necesitará herraje de sujeción no provisto.
- **Refuerzo de la puerta:** Es necesario si tiene una puerta de acero fino, aluminio, fibra de vidrio o con paneles de vidrio.
- **Kit de extensión del riel:** Se necesita si la puerta del garaje tiene más de 2.13 m (7 pies) de altura.

## Herramientas necesarias



# Preparación

## Contenido de la caja

Conserve la caja y los materiales de embalaje (espuma) hasta que la instalación y el ajuste se hayan terminado. Las instrucciones para estos accesorios vendrán adjuntas al accesorio y no están incluidas en este manual. Las imágenes en este manual se usan solamente como referencia. El producto comprado podría tener un aspecto diferente.

Modelo	Alimentación	Control de la puerta	Control remoto	Teclado inalámbrico
B970	Max Lift Power System™	Smart Control Panel®	3 botones (2)	✓

- A. Ménsula del cabezal
- B. Polea
- C. Soporte de la puerta
- D. Brazo curvo de la puerta
- E. Brazo recto de la puerta  
(Embaladas dentro de la sección del riel frente)
- F. Carro
- G. Manija y cuerda de desenganche de emergencia
- H. Riel (1 delantero y 4 secciones centrales)
- I. Soportes de montaje (2)

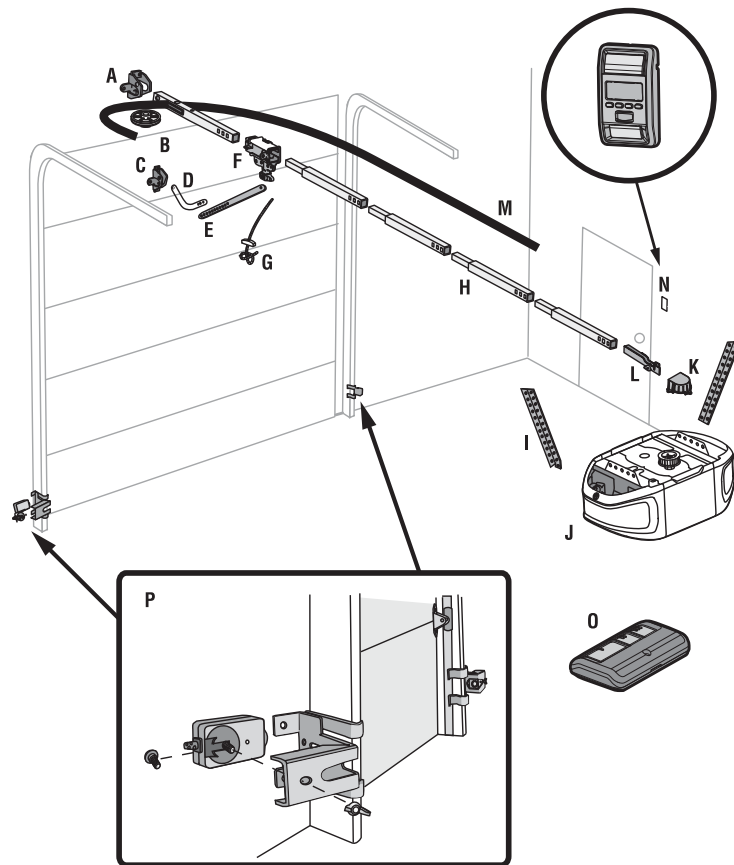
**NOTA:** Asegúrese de ensamblar el carro antes de deslizarlo sobre el riel.

- J. Abre-puertas de garaje (unidad de motor)
- K. Tornillos y cubierta de la rueda dentada
- L. Ménsula en 'U'
- M. Correa
- N. Control de la puerta
- O. Control remoto
- P. **The Protector System®**

Sensores de reversa de seguridad con 2 cables conductores blanco y blanco/negro adjuntos: Sensor emisor (1), sensor receptor (1) y ménsulas del sensor de seguridad (2)

### NO MOSTRADO

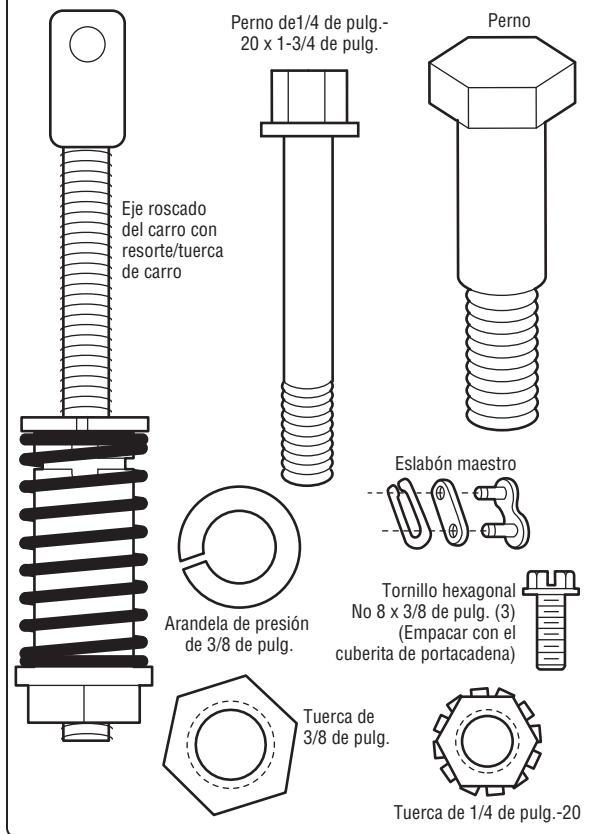
- Teclado inalámbrico
- Cable blanco y rojo/blanco
- Manual del propietario
- Ferretería
- Batería



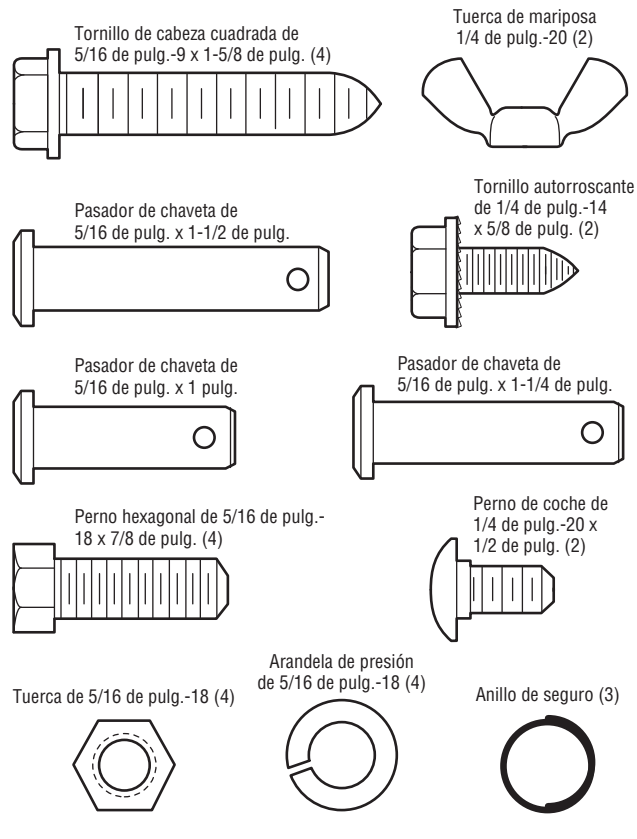
# Preparación

## Ferretería

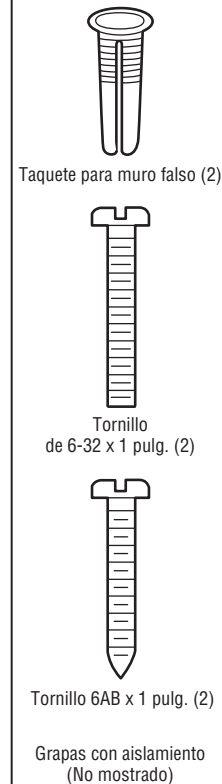
### EL MONTAJE



### LA INSTALACIÓN



### CONTROL DE LA PUERTA



# Ensamblado

## PASO 1 Ensamblado del riel y instale el carro

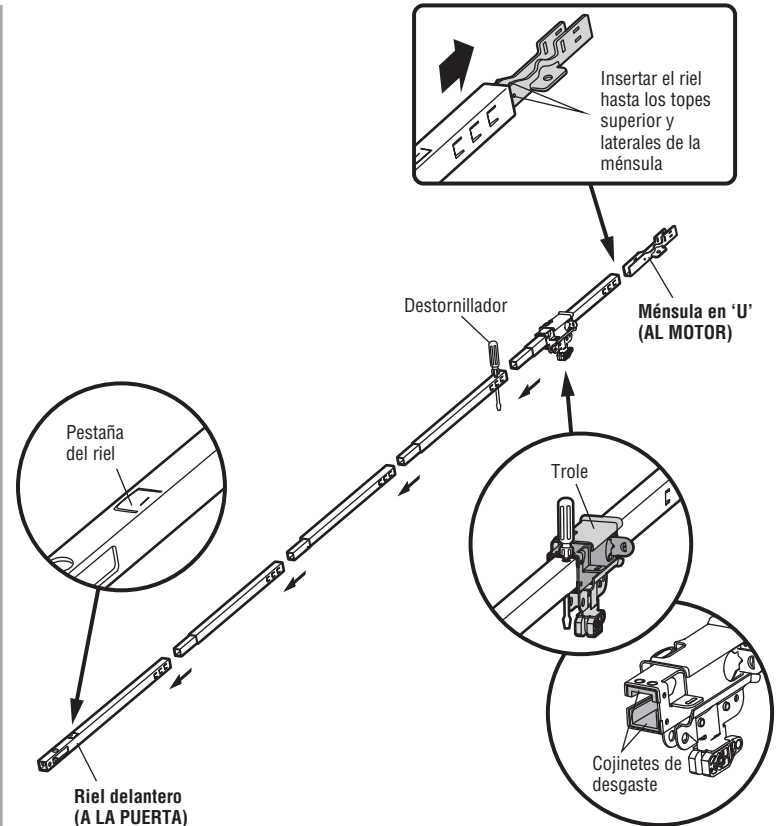
### PRECAUCIÓN

Para prevenir LESIONES por presión, mantenga las manos y los dedos alejados de las uniones mientras se ensambla el riel.

No encienda ni use el abre-puertas hasta que llegue al paso de la instalación correspondiente, de otra manera corre el riesgo de complicar el proceso de instalación.

El riel delantero tiene una "ventana" en el extremo de puerta. La pestaña del riel DEBEN estar encima del carril cuando están ensamblado.

1. Quite el brazo recto de la puerta empacado dentro del riel delantero y póngalos a un lado para usarlos en el Paso 5 y 9 de la Instalación. **NOTA:** Para no sufrir una LESIÓN al desempacar el riel, mueva con cuidado el brazo recto de la puerta que está almacenado dentro de la sección de riel.
2. Alinee las secciones del riel sobre una superficie plana exactamente como se indica y luego deslice los extremos más pequeños dentro de los más grandes. Las lengüetas a lo largo del lado se trabarán en posición.
3. Coloque el motor sobre el material de empaque para proteger la cubierta del mismo y apoye el extremo posterior del riel encima. Para que le resulte más cómodo, ponga algún tipo de apoyo bajo el extremo delantero del riel.
4. Como una parada temporal, inserte un destornillador en el orificio de la segunda sección del riel de la unidad motor, como se muestra.
5. Revise y cerciórese de que haya 4 cojinetes de desgaste dentro del trole interno, estos cojinetes son de plástico. Si los cojinetes se han soltado durante el transporte, revise todo el material de empaque. Ponga los cojinetes de desgaste en su lugar como se indica.
6. Deslice el carro por el riel hacia el destornillador, como se muestra.
7. Deslice del riel en la ménsula en 'U', hasta los topes que sobresalen en la parte superior y a los lados de la ménsula.



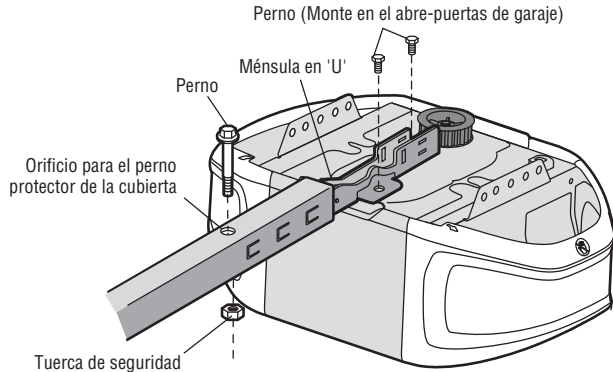
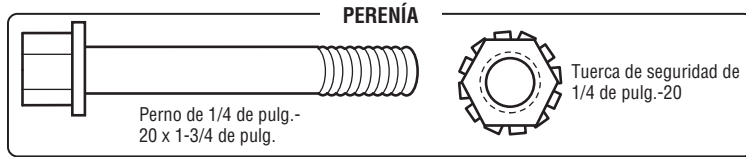
# Ensamblado

## PASO 2 Fijar riel al abre-puertas de garaje

### PRECAUCIÓN

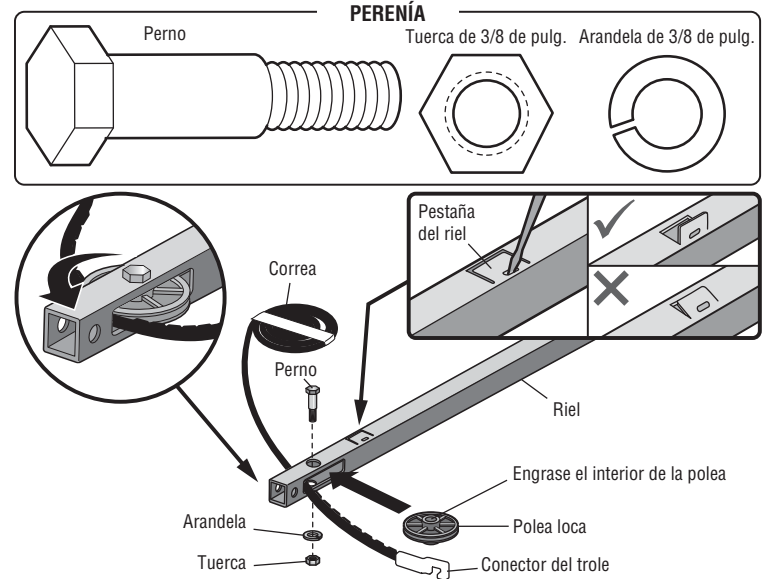
Para evitar daños GRAVES en el abre-puertas, utilice SOLAMENTE los pernos/sujetadores que vienen montados en la parte superior del abre-puertas.

1. Coloque un perno de 1/4 de pulg.-20 x 1-3/4 de pulg. dentro del orificio de la cubierta de protección que se encuentra en el extremo posterior del riel, como se indica en la ilustración. Apriete bien el perno con tuerca de 1/4 de pulg.-20. NO ajuste demasiado.
2. Quite los pernos de la parte superior del motor.
3. Use el cartón para soporte el frente del riel.
4. Ponga la ménsula en 'U' sobre el motor con el lado plano hacia abajo y alinee los orificios de la ménsula con los orificios de los pernos.
5. Ajustar la ménsula en "U" con pernos quitados anteriormente; SIN usar herramientas eléctricas. El uso de herramientas eléctricas podría dañar permanentemente el abre-puerta de garaje.



## PASO 3 Instalación de la polea

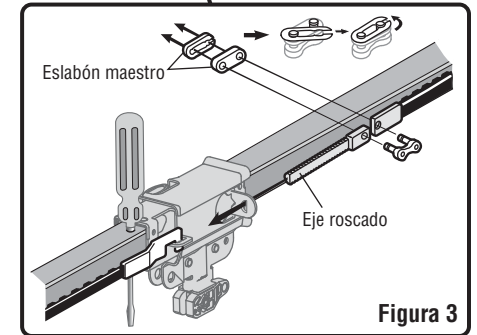
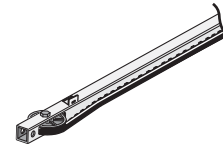
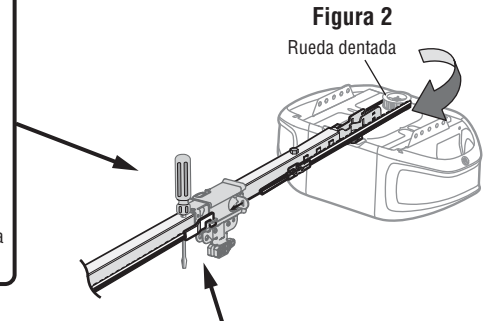
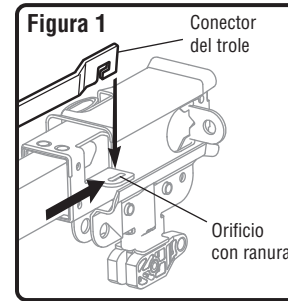
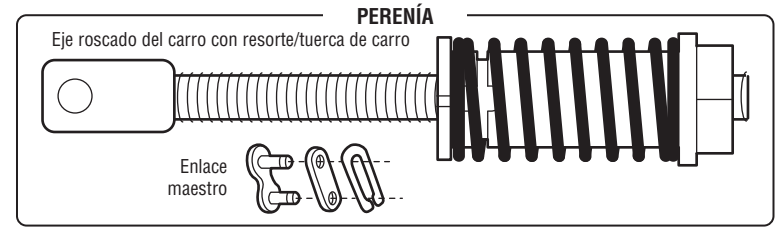
1. Coloque la correa al lado del riel, como se muestra. Sujete el extremo con el conector del carro enganchado y pase aproximadamente 30 cm (12 pulg.) de correa por la ventana. Mantenga el lado estriado hacia el riel y deje que cuelgue hasta Montaje, Paso 4.
2. Retire la cinta de la polea loca. El interior del centro debe estar engrasado. Si se ha secado, vuelva a engrasarlo para asegurar que la operación sea adecuada.
3. Coloque la polea loca dentro de la ventana como se muestra en la ilustración.
4. Inserte el perno loco desde la parte superior y a través del riel y la polea. Apriete con una arandela y una tuerca de 3/8 de pulg. por debajo del riel hasta que la arandela quede comprimida.
5. Gire la polea para asegurarse de que rote libremente.
6. Ubicar la pestaña del riel. La ficha de riel está cerca de la polea en la sección de riel delantero. Utilizar un destornillador de punta plana para levantar la pestaña hasta que quede en posición vertical (a 90°).



# Ensamblado

## PASO 4 Instale la correa

1. Coloque la correa alrededor de la polea y tírela hacia el carro. El lado estriado debe estar en contacto con la polea.
2. Enganche el conector del carro en la ranura de retención del carro como se muestra en la ilustración (Figura 1).
3. Con el carro contra el destornillador, distribuya el resto de la correa a lo largo del riel hacia el motor y alrededor de la rueda dentada (Figura 2). Los dientes de la rueda dentada deben estar conectados a la correa.
4. Compruebe que la correa no esté torcida. Conecte el eje roscado del carro al enlace maestro (Figura 3).
  - Empuje las clavijas del enlace maestro por los orificios en el extremo de la correa y el eje roscado del carro.
  - Empuje la tapa del enlace maestro sobre los pernos y las muescas de los pernos.
  - Deslice el extremo cerrado del resorte sobre uno de los pasadores. Empuje el extremo abierto de la primavera con clip en la espiga de otra.
5. Quite la tuerca con resorte del trole del eje roscado.
6. Introduzca el eje roscado del trole por el orificio del carro.

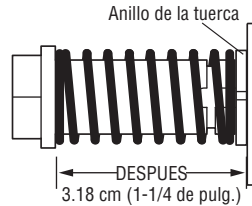
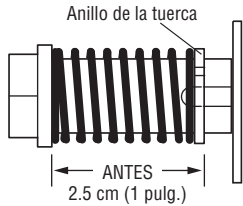
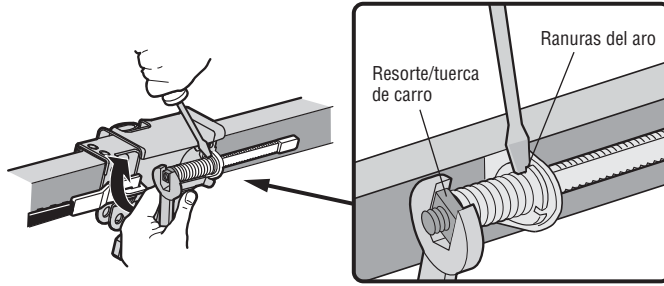




# Ensamblado

## PASO 5 Apriete de la banda

1. Con la mano, enrosque la tuerca del carro con resorte en el eje roscado hasta que esté ajustada firmemente contra el carro. No utilice ninguna herramienta. Quite el destornillador.
2. Introduzca la punta de un destornillador en una de las ranuras del aro de la tuerca y apóyelo firmemente contra el carro.
3. Ajuste la tuerca del carro con resorte con una llave regulable o con una llave de boca ancha de 7/16 de pulg., aproximadamente un cuarto de giro, hasta que se suelte el resorte y el aro de la tuerca quede presionado contra el carro. Esto regula el resorte para la óptima tensión de la correa.



## PASO 6 Instale la cubierta del portacadena

### ⚠ ADVERTENCIA

Para evitar posibles LESIONES GRAVES en los dedos causadas por las partes móviles del abre-puertas de garaje:

- SIEMPRE tenga las manos lejos de la rueda dentada mientras el abre-puertas esté en funcionamiento.
- Ponga bien la cubierta de la rueda dentada ANTES de hacer funcionar el abre-puertas.

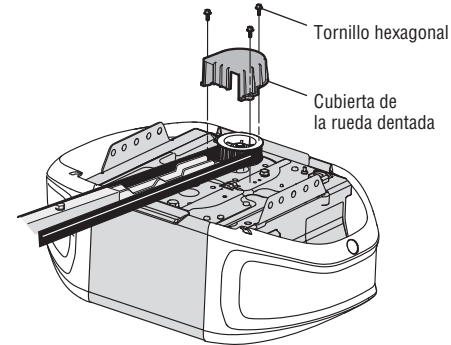
1. Colocar la tapa de la rueda dentada tal como se muestra y ajustar la placa de montaje con los tornillos hexagonales de 8 x 3/8 de pulg. incluidos.

Ha finalizado el ensamblado de su abre-puertas de garaje. Leer las advertencias siguientes antes de proceder con la sección de instalación.

### PERENÍA



Tornillo hexagonal No 8 x 3/8 de pulg.  
(Empacar con el cuberita de portacadena)



## INSTRUCCIONES DE INSTALACIÓN IMPORTANTES

### **ADVERTENCIA**

### Para reducir el riesgo de LESIONES GRAVES o la MUERTE:

1. LEA Y RESPETE TODAS LAS ADVERTENCIAS Y LAS INSTRUCCIONES DE INSTALACIÓN.
2. Instale el abre-puertas de garaje SÓLO en puertas de garaje que estén bien equilibradas y lubricadas. Si la puerta no está debidamente equilibrada es posible que NO retroceda cuando así se requiera y podría ocasionar una LESIÓN GRAVE O INCLUSO LA MUERTE.
3. TODAS las reparaciones de los cables, resortes y otras partes DEBEN ser realizadas por un técnico especializado en sistemas de puertas, ANTES de instalar el abre-puertas.
4. Desarme TODOS los seguros y retire TODAS las cuerdas conectadas a la puerta de el garaje ANTES de instalar el abre-puertas para evitar que estas se enreden.
5. Instale el abre-puertas de garaje a una distancia de 2.13 m (7 pies) o más del piso.
6. Monte la manija de desenganche de emergencia de modo que esté al alcance, pero con una altura mínima de 1.83 m (6 pies) del piso para evitar el contacto con los vehículos y que se suelte accidentalmente.
7. No conecte NUNCA el abre-puertas del garaje a una fuente de energía eléctrica hasta que se le indique.
8. NUNCA lleve puestos relojes, anillos o prendas sueltas durante la instalación o funcionamiento del abre-puertas, ya que podrían atorarse en la puerta del garaje o en los mecanismos del abre-puertas.
9. Instale el control de la puerta del garaje montado en pared:
  - de manera que quede a la vista desde la puerta de la garaje.
  - mantener alejado del alcance de los niños a una altura mínima de 1.5 m (5 pies) sobre pisos, escalones y cualquier superficie peatonal cercana.
  - lejos de TODAS las partes móviles de la puerta.
10. Coloque la etiqueta de advertencia del riesgo de quedar atrapado en la pared cerca del control de la puerta del garaje.
11. Coloque la etiqueta de prueba de reversa de seguridad/desenganche de emergencia a plena vista en la parte interior de la puerta del garaje.
12. Pruebe el sistema de reversa de seguridad al terminar la instalación. La puerta del garaje DEBE retroceder al entrar en contacto con un objeto de 3.8 cm (1-1/2 de pulg.) de altura (o de 5 x 10 cm [2 x 4 pulg.] acostado en el piso).
13. Para evitar LESIONES PERSONALES GRAVES o MORTALES debidas a electrocución, desconecte TODA la corriente eléctrica y de la batería ANTES de realizar cualquier servicio o mantenimiento.
14. NO usarlo para puertas de una sola pieza si utiliza dispositivos de cierre automático. Los dispositivos y funciones automáticas deben usarse ÚNICAMENTE con puertas seccionales.

# Instalación

## PASO 1 Determinar dónde va a instalar la ménsula del cabezal

### **ADVERTENCIA**

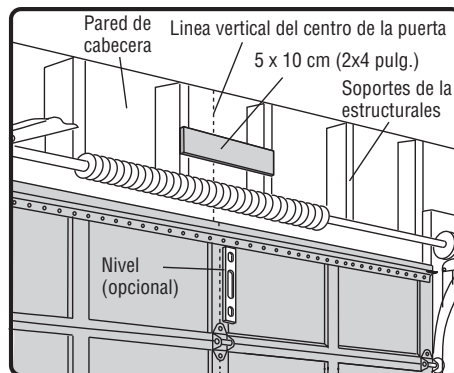
Para evitar una LESIÓN GRAVE O INCLUSO LA MUERTE:

- La ménsula del cabezal DEBE quedar RÍGIDAMENTE sujeta al soporte estructural en la pared delantera o en el cielo raso, de no ser así es posible que la puerta del garaje NO retroceda cuando se requiera. NO instale la ménsula del cabezal en muros falsos.
- DEBE usar sujetadores para concreto si el montaje de la ménsula del cabezal o del pedazo de madera de 5 x 10 cm (2 x 4 pulg.) se hace en mampostería.
- NUNCA trate de aflojar, mover, ni ajustar la puerta del garaje, los resortes, los cables, las poleas, las ménsulas ni el herraje, pues TODAS estas piezas están bajo una tensión EXTREMA.
- SIEMPRE llame a un técnico especializado en sistemas de puertas si la puerta del garaje se atasca, atora o si está desequilibrada. Es posible que una puerta de garaje que no esté equilibrada NO retroceda cuando se requiera.

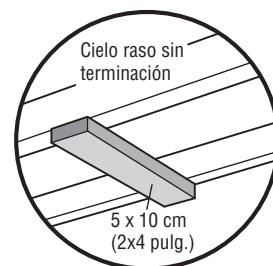
Los procedimientos de instalación varían según el tipo de puerta de garaje. Siga las instrucciones que se aplican a su puerta.

1. Cierre la puerta y marque la línea central vertical del interior de la puerta del garaje.
2. Se puede sujetar el soporte del cabezal dentro de una distancia de 1.22 m (4 pies) a la izquierda o a la derecha del centro de la puerta solamente si estorba un resorte de torsión o placa de cojinete central. También se puede sujetar al cielo raso (vea página 12) si el espacio libre es mínimo. (Asimismo, se puede instalar en forma invertida sobre la pared si fuese necesario. Esto le dará aproximadamente 1 cm [1/2 de pulg.] de espacio). Si necesita instalar la ménsula del cabezal en un pedazo de madera de 3.8 cm (ya sea en la pared o en el cielo raso), use tornillos de cabeza cuadrada o pijas (no se incluyen) para sujetar dicho pedazo de madera a los soportes estructurales, como se indica aquí y en la página 12.
3. Abra la puerta hasta el punto más alto de su recorrido como se muestra. Marque una línea horizontal en la pared 5 cm (2 pulg.), a las siguientes distancias sobre el punto más alto del recorrido de la puerta:
  - 5 cm (2 pulg.) por encima del punto más alto para las puertas seccionales y para las puertas de una pieza con carril.
  - 20 cm (8 pulg.) por encima del punto más alto para las puertas de una pieza sin carril.

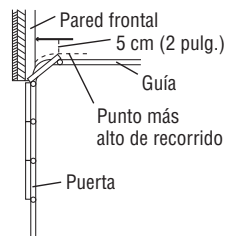
A esta altura, el extremo superior de la puerta tendrá suficiente espacio para su recorrido. **NOTA:** Si la cantidad total de centímetros excede la altura disponible en su garaje, use la mayor altura posible o consulte la página 12 para ver la instalación en el cielo raso.



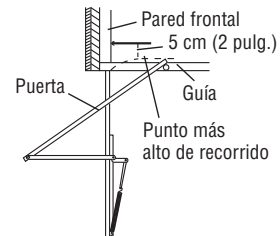
### MONTAJE OPCIONAL DE MÉNSULA DE CABEZAL EL TECHO



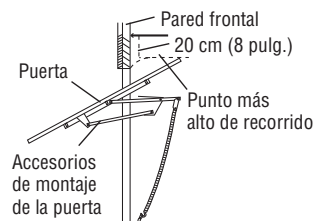
#### Puerta seccional con guía curva



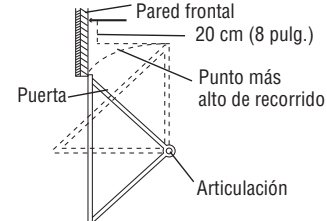
#### Puerta de una pieza con riel guía



#### Puerta de una pieza sin riel guía: accesorios de montaje



#### Puerta de una pieza sin riel guía: accesorios de articulación



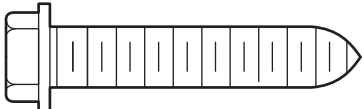
# Instalación

## PASO 2 Instale la ménsula del cabezal

La ménsula del cabezal se puede sujetar a la pared sobre la puerta del garaje o en el cielo raso. Siga las instrucciones que sean las más adecuadas para las necesidades de su garaje. **No instale la ménsula del cabezal en un muro falso. Si la instalación es en mampostería, asegúrese de utilizar sujetadores de cemento (no se incluyen).**

### PERENÍA

Tornillo tirafondo 5/16 de pulg.-  
9 x 1-5/8 de pulg.



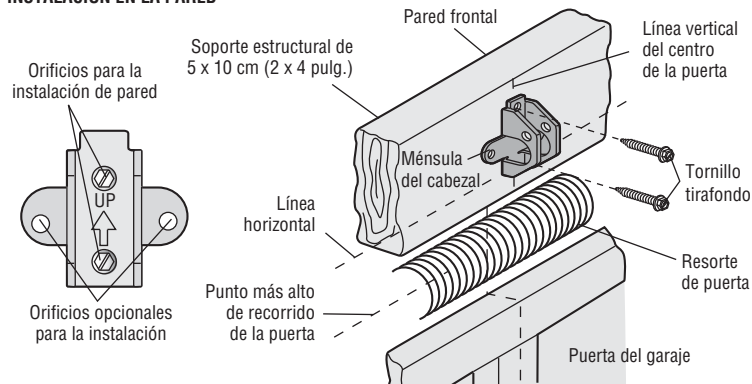
### OPCIÓN A INSTALACIÓN DE LA MÉNSULA DEL CABEZAL EN LA PARED

1. Coloque la ménsula sobre la línea central vertical con el borde inferior sobre la línea horizontal como se muestra en la ilustración (con la flecha de la ménsula apuntando hacia el cielo raso).
2. Marque los agujeros superior e inferior de la ménsula. Taladre los orificios con una broca de 3/16 de pulg. y sujete la ménsula firmemente al soporte de la estructura con la pernería que se incluye.

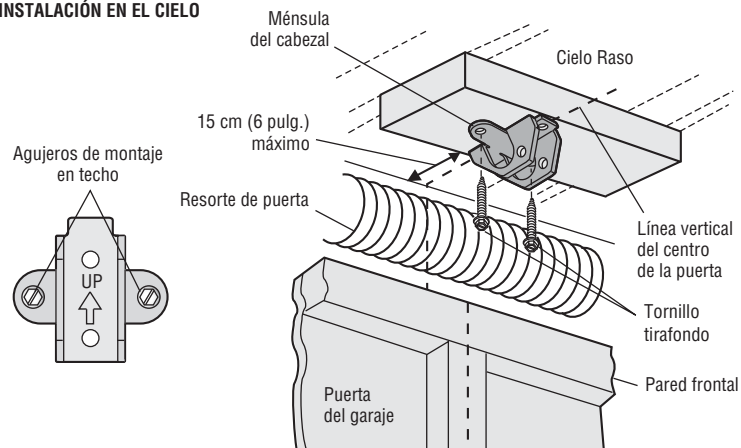
### OPCIÓN B INSTALACIÓN DE LA MÉNSULA DEL CABEZAL EN EL CIELO

1. Continúe marcando la línea central vertical sobre el cielo raso como se muestra en la ilustración.
2. Coloque la ménsula en el centro de la línea a no más de 15 cm (6 pulg.) de la pared. Asegúrese de que la flecha de la ménsula apunte en dirección opuesta a la pared. La ménsula se puede instalar pegada al cielo raso cuando el espacio es muy reducido.
3. Marque dónde taladrará los orificios laterales. Taladre los orificios con una broca de 3/16 de pulg. y sujete la ménsula firmemente al soporte de la estructura con la pernería que se incluye.

### INSTALACIÓN EN LA PARED



### INSTALACIÓN EN EL CIELO



# Instalación

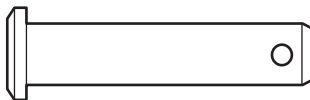
## PASO 3 Coloque el riel en la ménsula del cabezal

1. Coloque el abridor sobre el piso de la cochera debajo de la ménsula del cabezal. Use el material del empaque como base para protegerlo.

**NOTA:** Si el resorte de la puerta está obstruido, va a necesitar ayuda. Otra persona tendrá que sostener el abridor firmemente sobre un soporte temporal para permitir que el riel pueda librar el resorte.

2. Coloque la ménsula del riel contra la ménsula del cabezal.
3. Alinee los orificios de las ménsulas y júnte las con un pasador de chaveta como se muestra en la ilustración.
4. Introduzca un anillo de seguro para terminar la unión.

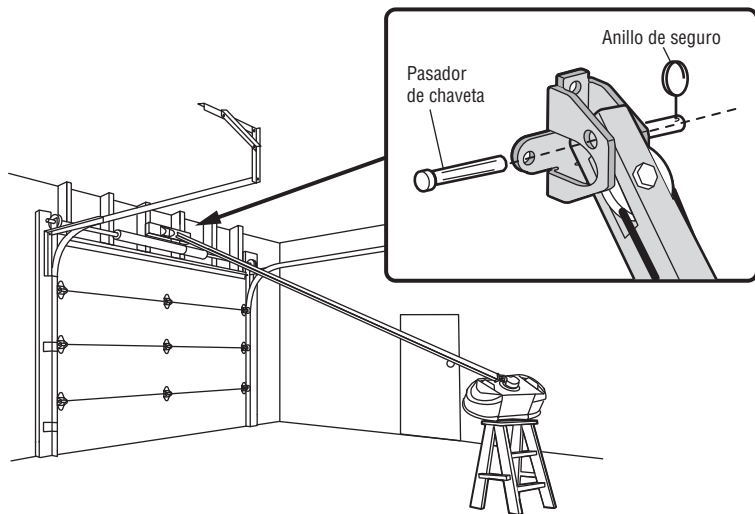
### PERENÍA



Pasador de chaveta  
5/16 de pulg. x  
1-1/2 de pulg.



Anillo de seguro



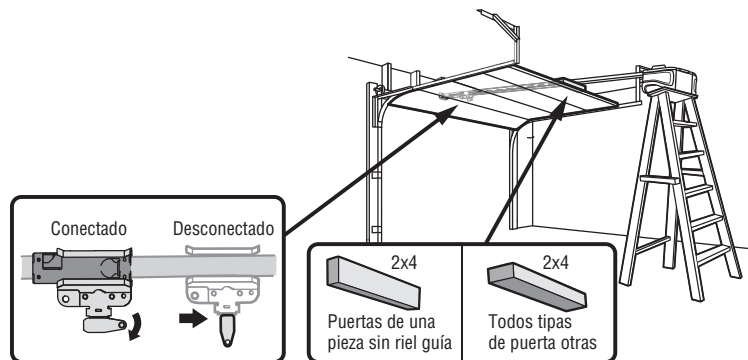
## PASO 4 Colocación del abre-puertas del garaje

### PRECAUCIÓN

Para evitar que la puerta del garaje sufra daños, apoye el riel del abre-puertas de garaje sobre un pedazo de madera de 5 x 10 cm (2 x 4 pulg.) colocado en la sección superior de la puerta.

1. Retire la espuma de embalaje y ponga el abre-puertas de garaje sobre una escalera.
2. Abra la puerta totalmente y apoye acostado un tirante de madera de 5 x 10 cm (2 X 4 pulg.) abajo del riel. Para puertas de una pieza sin carriles, coloque el pedazo de madera de 5 x 10 cm (2 x 4 pulg.) de costado.

**NOTA:** Un pedazo de madera de 5 x 10 cm (2 x 4 pulg.) es ideal para fijar la distancia entre el riel y la puerta. Se la escalera no es lo suficientemente alta, va a necesitar ayuda. Si la puerta toca el carro cuando se la levanta, tire del brazo de desenganche del carro para separar la parte interna del carro de la externa. Deslice el carro externo hacia el abre-puertas de garaje. El carro puede permanecer desconectado hasta instruir.



# Instalación

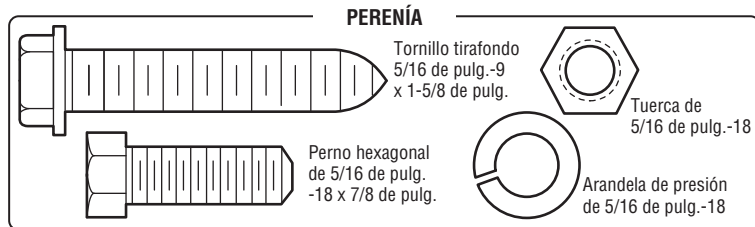
## PASO 5 Cuelgue el abre-puertas de garaje

### **ADVERTENCIA**

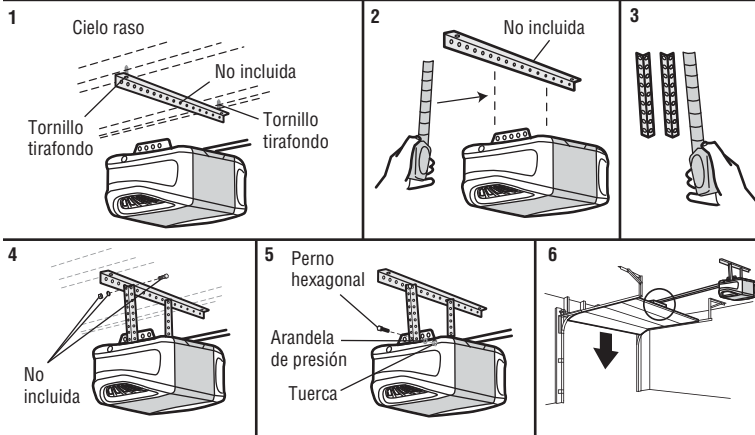
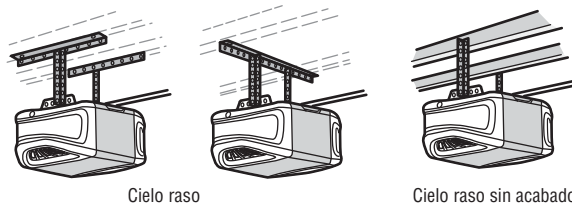
Para evitar la posibilidad de una **LESIÓN GRAVE** si se cae el abre-puertas de garaje, sujételo **FIRMEMENTE** a los soportes estructurales del garaje. Se **DEBEN** usar anclajes de hormigón si se instalan ménsulas en la mampostería.

Colgará el abre-puertas de garaje según su tipo de garaje. A continuación veremos tres ejemplos de instalaciones. Quizá su instalación sea diferente. **TODAS** las instalaciones de abre-puertas de garaje **DEBEN** conectarse a soportes estructurales. En las siguientes instrucciones se muestra uno de los ejemplos.

1. En cielos rasos acabados, use tornillos de cabeza cuadrada o pijas para fijar la ménsula de soporte (no provista) a los soportes estructurales antes de instalar el abre-puertas de garaje.
2. Asegúrese de que el abre-puertas de garaje esté alineado con la ménsula del cabezal. Mida la distancia entre cada lado del abre-puertas de garaje y la ménsula de soporte.
3. Corte las dos partes de los soportes colgantes a la medida adecuada.
4. Fije un extremo de cada ménsula colgante a la ménsula de soporte con las herramientas apropiadas (no provistas).
5. Fije el abre-puertas de garaje a las ménsulas colgantes con pernos hexagonal y arandelas de presión y tuercas.
6. Quite el pedazo de madera de 5 x 10 cm (2 x 4 pulg.) y cierre la puerta manualmente. Si la puerta golpea el riel, suba la ménsula del cabezal.



### EJEMPLOS



# Instalación

## PASO 6 Instalación de las bombillas

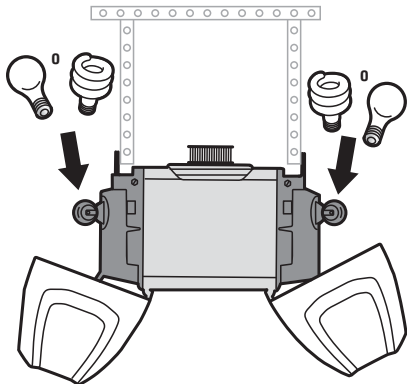
### PRECAUCIÓN

Para evitar un posible SOBRECALENTAMIENTO del portabombillas:

- Use ÚNICAMENTE bombillas incandescentes A19 (100 vatios máximo) o fluorescentes compactas (26 vatios máximo).
- NO utilice bombillas de más de 100 vatios.
- NO use bombillas fluorescentes compactas de más de 26 vatios (equivalente a 100 vatios).
- NO utilice bombillas halógenas.
- NO utilice bombillas de cuello corto ni de tipo especial.

1. Tire los laterales superiores de la lente de luz y gire la lente hacia abajo.
2. Introduzca una bombilla A19 (100 Vatios máximo) incandescente o fluorescente compacta (26 Vatios, equivalente a 100 Vatios) en el receptáculo para la bombilla.
3. Rote la lente suavemente hacia arriba para cerrar.

**NOTA:** No use bombillas de halógeno, de cuello corto o especiales, ya que pueden recalentar el panel del extremo o el casquillo de la luz. No use bombillas DEL, ya que pueden reducir el alcance o el rendimiento de los controles remotos.



## PASO 7 Instale la manija y la cuerda de emergencia

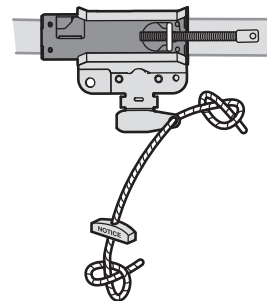
### ! ADVERTENCIA

Para evitar la posibilidad de una LESIÓN GRAVE O INCLUSO LA MUERTE si la puerta del garaje se cae:

- De ser posible, use el desenganche de emergencia para soltar el carro SÓLO cuando la puerta del garaje esté CERRADA. Si los resortes están débiles o rotos o si la puerta está desequilibrada, podría abrirse y caer rápida y/o inesperadamente.
- NUNCA use la manija del desenganche de emergencia a menos que la entrada al garaje esté libre de obstrucciones y no haya ninguna persona presente.
- NUNCA use la manija para tirar de la puerta para abrirla o cerrarla. Si el nudo de la cuerda se suelta, usted podría caerse.

1. Inserte un extremo de la cuerda de desenganche de emergencia a través de la manija. Verifique la palabra "NOTICE" (aviso) sea legible. Asegúrela con un nudo por lo menos a 2.5 cm (1 pulg.) del extremo de la cuerda de desenganche de emergencia.
2. Inserte el otro extremo de la cuerda de desenganche de emergencia a través del orificio del brazo de desenganche del carro. Instale la cuerda de emergencia donde pueda ser alcanzado, al menos a 1.83 m (6 pies) sobre el nivel piso, donde no esté en riesgo de entrar en contacto con vehículos y fílelo con un nudo.

**NOTA:** Si es necesario cortar la cuerda de desenganche de emergencia, queme el extremo cortado con un fósforo o con un encendedor para evitar que el cordón se desate. Asegúrese de que la cuerda de desenganche de emergencia y la manija estén encima de la parte superior de los vehículos para que no se enreden.



# Instalación

## PASO 8 Sujete la ménsula de la puerta

### PRECAUCIÓN

Para puertas de garaje de fibra de vidrio, acero fino o aluminio, es **NECESARIO** un refuerzo ANTES de instalar la ménsula de la puerta. Consulte con el fabricante de la de la puerta del garaje o vendedor instalación para abrirlo refuerzo instrucciones o juegos de refuerzo. Fracaso para reforzar la parte superior como se requiere según el fabricante de la puerta puede anular la garantía de la puerta.

Se necesita un refuerzo horizontal y vertical (no incluido) para puertas de garaje livianas (fibra de vidrio, aluminio, acero, puertas con panel de vidrio, etc.). Si usa un puntal horizontal, éste debe de ser lo suficientemente largo para sujetarlo a dos soportes verticales. Si usa un puntal vertical, éste debe de ser de la altura del panel superior. Consulte con el fabricante de la de la puerta del garaje o vendedor instalación para abrirlo refuerzo instrucciones o juegos de refuerzo.

**NOTA:** Muchos de los juegos de refuerzo permiten la conexión directa de los pasadores de chaveta y del brazo de la puerta. En este caso, no necesitará instalar la ménsula de la puerta. Continúe con el siguiente paso.

### OPCIÓN A PUERTAS SECCIONALES

1. Coloque la ménsula para la puerta sobre la línea central vertical que había marcado previamente para la instalación de la ménsula del cabezal. Asegúrese de que la leyenda "UP" (arriba) esté en la posición correcta, como se indica en la parte interior de la ménsula.
2. El borde superior de la ménsula debe quedar a una distancia de 5 a 10 cm (2 a 4 pulgadas) por debajo del borde superior de la puerta, O directamente bajo un soporte transversal en la parte superior de la puerta.
3. Haga los agujeros y proceda con las siguientes instrucciones de instalación, según el tipo de puerta.

**Puertas metálicas o livianas con refuerzo vertical de hierro en ángulo entre el soporte del panel de la puerta y la ménsula de la puerta:**

- Taladre los orificios de sujeción de 3/16 de pulg. Fije la ménsula de la puerta con dos tornillos autorroscantes de 1/4 de pulg.-14 x 5/8 de pulg. (Figura 1)
- Como alternativa puede usar dos pernos de 5/16 de pulg.-18 x 2 pulg. con arandelas de presión y tuercas (no incluidos). (Figura 2)

**Puertas metálicas, con aislamiento o livianas, reforzadas de fábrica:**

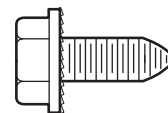
- Taladre los orificios de sujeción de 3/16 de pulg. Fije la ménsula de la puerta con tornillos autorroscantes. (Figura 3)

**Puertas de madera:**

- Use los orificios laterales o superior e inferior de la ménsula de la puerta. Haga los agujeros correspondientes de 5/16 de pulg. en la puerta y fije la ménsula con tornillos de 5/16 de pulg.-18 x 2 pulg., arandelas de presión y tuercas (no incluidos). (Figura 4)

**NOTA:** Los tornillos autorroscantes de 1/4 de pulg.-14 x 5/8 de pulg. no son aptos para las puertas de madera.

### PERENÍA



Tornillo autorroscante de 1/4 de pulg.-14 x 5/8 de pulg.

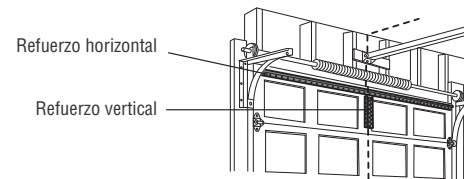


FIGURA 1

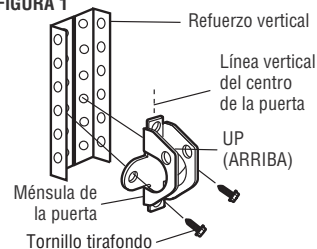


FIGURA 2

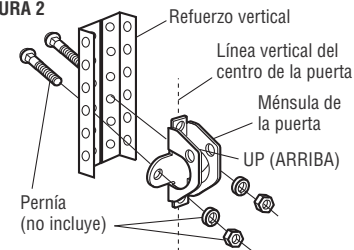


FIGURA 3

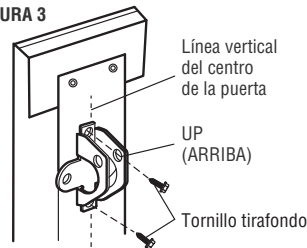
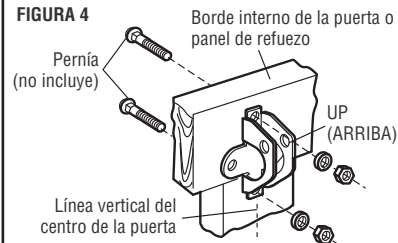


FIGURA 4





# Instalación

## PASO 8 Sujete la ménsula de la puerta (continua)

### OPCIÓN B PUERTAS DE UNA SOLA PIEZA

1. Coloque la ménsula de la puerta al centro de la parte superior de la misma, alineada con la ménsula del cabezal, según se indica en la ilustración.
2. Marque ya sea los orificios derecho e izquierdo o superior e inferior.

#### Puertas metálicas:

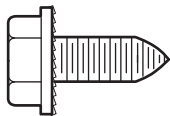
- Taladre orificios piloto de 3/16 de pulg. y ajuste la ménsula con los tornillos autorroscantes provistos.

#### Puertas de madera:

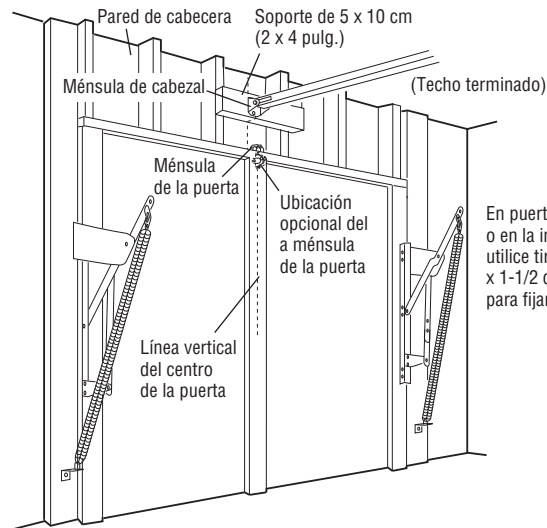
- Taladre orificios de 5/16 de pulg. y use pernos con cabeza redonda de 5/16 de pulg.-18 x 2 pulg., arandelas de presión y tuercas (no provistas) o tornillos de cabeza cuadrada o pijas de 5/16 de pulg. x 1-1/2 de pulg. (no provistos), dependiendo de lo que necesite para su instalación.

**NOTA:** La ménsula de la puerta puede instalarse sobre el borde superior de la puerta si es necesario para su instalación. (Vea la ilustración de colocación opcional, señalada con la línea punteada).

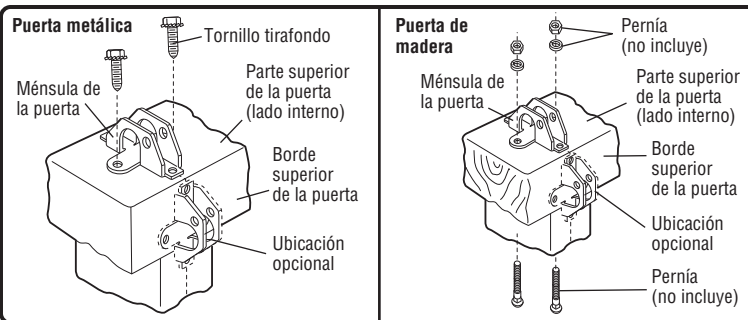
### PERENÍA



Tornillo autorroscante de 1/4 de pulg.-14 x 5/8 de pulg.



En puertas sin marco expuesto o en la instalación opcional, utilice tirafondos de 5/16 de pulg. x 1-1/2 de pulg. (No incluidos) para fijar la ménsula de la puerta.



# Instalación

## PASO 9 Conexión del brazo de la puerta al carro

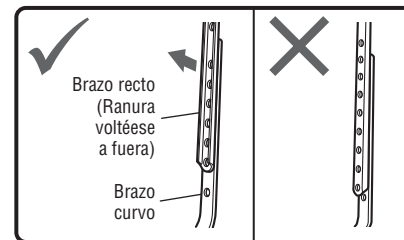
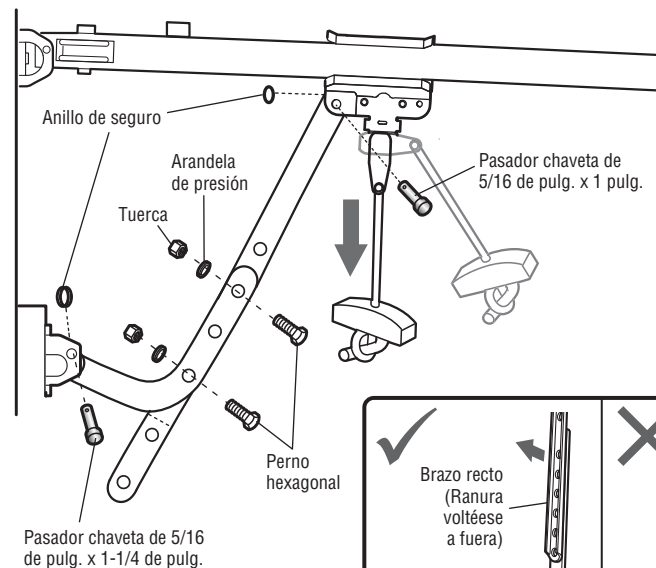
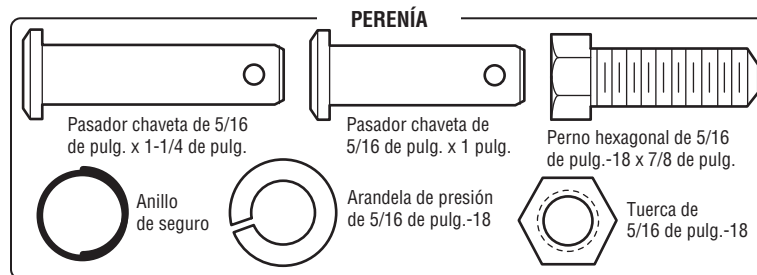
Los procedimientos de instalación varían según el tipo de puerta de garaje. Siga las instrucciones que correspondan a su puerta.

### OPCIÓN A PUERTAS SECCIONALES

**IMPORTANTE:** El ranura en el brazo recto de la puerta DEBE voltéese del brazo curvado de la puerta.

1. Cerrar la puerta. Desconecte el trole tirando de la manija de desenganche de emergencia.
2. Acople el brazo recto de la puerta al carro exterior usando el pasador de chaveta. Asegurarlo con el anillo de seguro.
3. Acople el brazo curvo de la puerta a la ménsula de la puerta usando el pasador de chaveta. Asegurarlo con el anillo de seguro.
4. Junte las dos secciones. Busque dos pares de orificios que estén alineados y una las secciones. Elija orificios lo más apartados posible para aumentar la rigidez del brazo de la puerta y sujete usando los pernos, las tuercas y las arandelas de cierre.
5. Tirar de la manija de emergencia hacia el abridor hasta que el brazo del carro quede horizontal. El carro se reconectará automáticamente cuando se accione el abre-puertas de garaje.

**NOTA:** Si los orificios en el brazo curvo y en el brazo recto de la puerta no quedan alineados, desmonte el brazo recto, elija dos orificios (lo más apartados posible) y sujete usando los pernos, las tuercas y las arandelas de cierre. Se el brazo recto es muy largo, puede corte 15 cm (6 pulg.) del lado que no tiene agujeros.



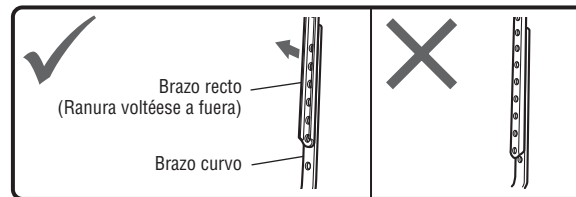
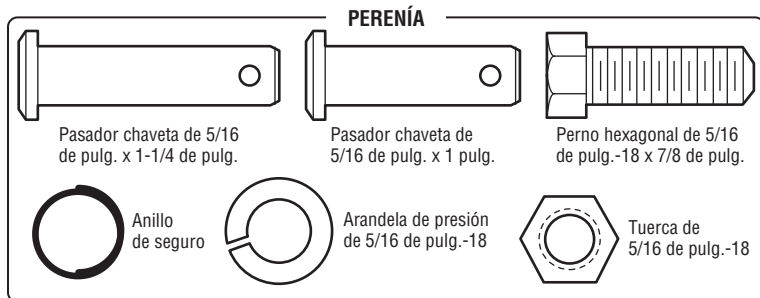
# Instalación

## PASO 9 Conexión del brazo de la puerta al carro (continua)

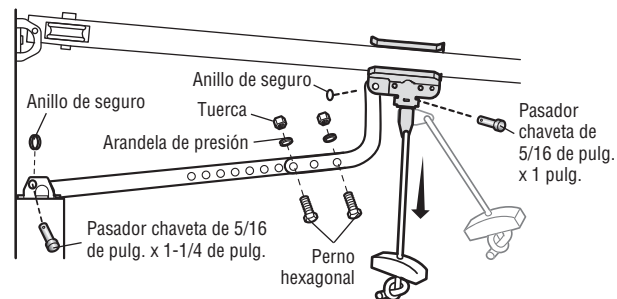
### OPCIÓN B PUERTAS DE UNA SOLA PIEZA

**IMPORTANTE:** El ranura en el brazo recto de la puerta DEBE voltéese del brazo curvado de la puerta.

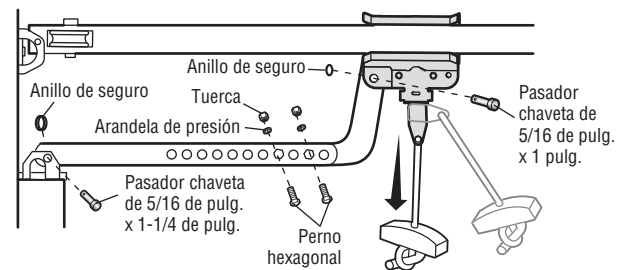
1. Cerrar la puerta. Desconecte el trole tirando de la manija de desenganche de emergencia.
2. Fije los brazos de la puerta (recto y curvo) a la mayor distancia posible (una superposición de 2 o 3 orificios) usando los pernos, las tuercas y las arandelas de cierre.
3. Acople el brazo recto de la puerta a la ménsula de la puerta usando el pasador de chaveta. Asegurarlo con el anillo de seguro.
4. Acople el brazo curvo de la puerta al carro usando el pasador de chaveta. Asegurarlo con el anillo de seguro.
5. Tirar de la manija de emergencia hacia el abridor hasta que el brazo del carro quede horizontal.



### Puerta de una pieza sin riel guía



### Puerta de una pieza con riel guía



# Instalación

## PASO 10 Instale el control de la puerta

### **ADVERTENCIA**

Para evitar posibles LESIONES GRAVES o la MUERTE por electrocución:

- ANTES de instalar el control, verifique que NO esté conectada la energía eléctrica.
- Conecte el control de la puerta SÓLO a cables de bajo voltaje de 12 VOLTIOS.

Para evitar la posibilidad de una LESIÓN GRAVE O INCLUSO LA MUERTE cuando la puerta del garaje se esté cerrando:

- Instale el control de la puerta a la vista desde la puerta del garaje, fuera del alcance de los niños a una altura mínima de 1.5 m (5 pies) sobre pisos, escalones y cualquier superficie peatonal cercana, y lejos de TODAS las partes móviles de la puerta.
- NUNCA permita que los niños hagan funcionar o jueguen con los botones del control de la puerta ni con los transmisores del control remoto.
- Abra/cierre una puerta de garaje SÓLO si la puede ver claramente, si está correctamente instalada y si no hay ninguna obstrucción en su recorrido.
- SIEMPRE mantenga la puerta de garaje a la vista hasta que esté completamente cerrada. NUNCA permita que alguien cruce por debajo de una puerta de garaje que se está cerrando.

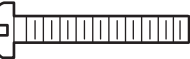
### INTRODUCCIÓN

Los controles de la puerta anteriores de Chamberlain y los productos de terceros no son compatibles. Instale el control de la puerta a la vista desde la puerta del garaje a una altura mínima de 1.5 m (5 pies) sobre pisos, escalones y cualquier superficie peatonal cercana, fuera del alcance de los niños y lejos de TODAS las partes móviles de la puerta. Si se usa una caja para instalar el control, no es necesario hacer orificios ni colocar tarugos en la pared. Simplemente use los orificios de la misma caja.

**NOTA:** Es posible que su producto se vea diferente al de las ilustraciones.

### PERENÍA

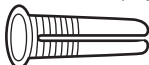
Tornillo de 6-32 x 1 pulg. (2)



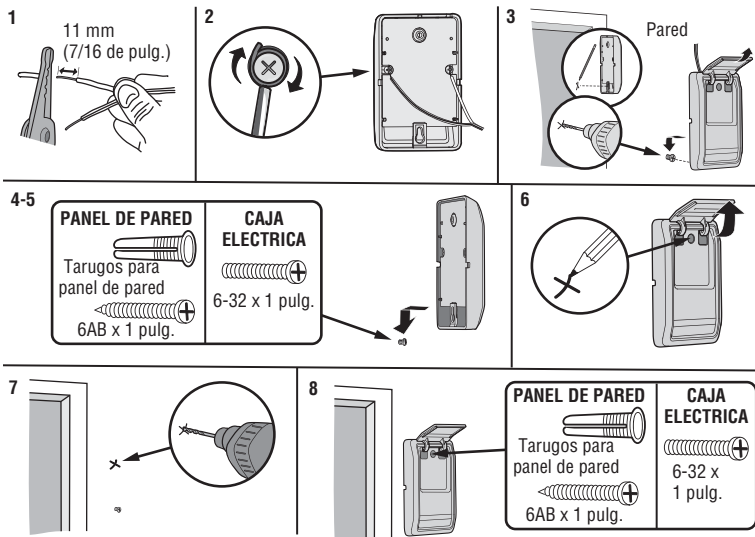
Tornillo 6AB x 1 pulg. (2)



Taquete para muro falso (2)



1. Pele 11 mm (7/16 de pulg.) del extremo del cable y separe los cables.
2. Conecte un cable a cada uno de los dos terminales de tornillo en la parte posterior del control de la puerta. Los cables pueden conectarse indistintamente a cualquiera de los terminales de tornillo. Si su garaje tiene cable previo por el control de la puerta, elegir dos cables para conectar e identificarlos para poder conectarlos al abre-puerta más adelante.
3. Marque el lugar del orificio de montaje inferior y taladre un orificio de 5/32 de pulg.
4. Coloque el tornillo inferior, de modo que sobresalga 3 mm (1/8 de pulg.) de la pared.
5. Haga pasar el orificio inferior del control de la puerta sobre el tornillo y deslícelo hacia abajo.
6. Levante el pulsador de barra y marque el orificio superior.
7. Retire el control de la puerta de la pared y taladre un orificio de 5/32 de pulg. para el tornillo superior.
8. Haga pasar el orificio inferior del control de la puerta sobre el tornillo y deslícelo hacia abajo. Coloque ahora el tornillo superior.



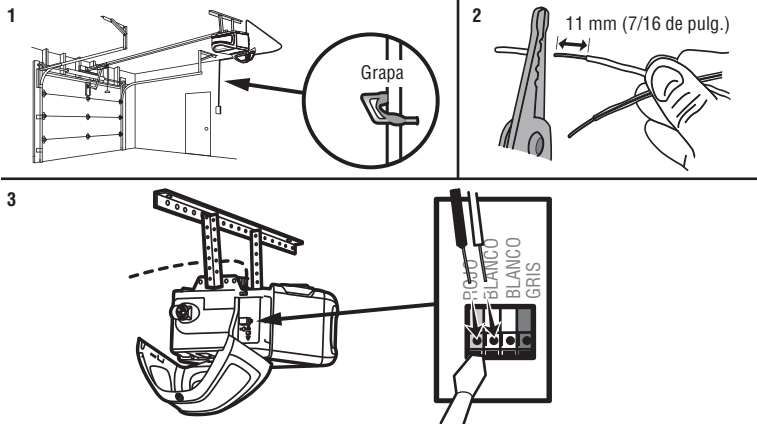
# Instalación

## PASO 11 Tender los cables desde el control hasta el abre-puerta de garaje

1. Tienda los cables blanco y rojo/blanco entre el control de la puerta y el abre-puertas de garaje. Fije el cable a la pared y al cielo raso con grapas (a menos que se utilicen cajas de conexión o sea una instalación existente). No perforo el cable con las grapas ya que podría causar un cortocircuito o la apertura del circuito.
2. Pele 11 mm (7/16 de pulg.) del extremo del cable cerca del abre-puertas de garaje.
3. Conecte el cable a los terminales rojo y blanco del abre-puertas de garaje. Al tender el cableado del control de la puerta al abre-puertas de garaje, asegúrese de usar los mismos cables que están conectados al control de la puerta. Para conectar o desconectar un cable, empujar la pestaña con la punta de un destornillador.

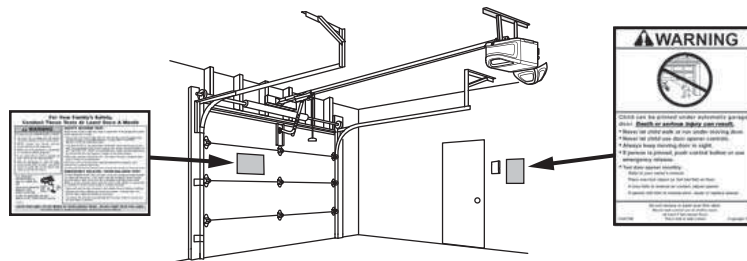
### PERENÍA

Grapas con aislamiento (No se muestra)



## PASO 12 Colocar las etiquetas de advertencia

1. Con tachuelas o grapas, coloque en la pared cerca del control de la puerta una etiqueta de advertencia sobre el riesgo de quedar atrapado.
2. Colocar la etiqueta de seguridad y apertura manual en un lugar a la vista del lado interno de la puerta del garaje.



# Instalación

## PASO 13 Instale la Protector System®

### **ADVERTENCIA**

Asegúrese de que la energía eléctrica NO esté conectada al abre-puertas de garaje ANTES de instalar los sensores de reversa de seguridad.

Para evitar la posibilidad de sufrir una LESIÓN GRAVE o incluso la MUERTE cuando la puerta del garaje se esté cerrando:

- Conecte correctamente y verifique la alineación de los sensores de reversa de seguridad. Este dispositivo de seguridad es necesario y NO se DEBE desactivar.
- Instale los sensores de reversa de seguridad de modo que NO SUPERE 15 cm (6 pulgadas) sobre el nivel del piso del garaje.

### INFORMACIÓN IMPORTANTE SOBRE EL SENSOR DE REVERSA DE SEGURIDAD

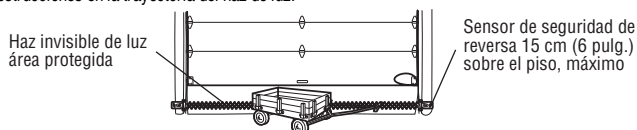
**El sensor de reversa de seguridad debe estar bien conectado y alineado antes de que el abre-puertas de garaje se mueva hacia abajo.**

El sensor emisor (DEL ámbar) transmite un haz de luz invisible hacia el sensor receptor (DEL verde). Si una obstrucción interrumpe el haz de luz mientras la puerta se está cerrando, la puerta se detendrá y regresará a la posición totalmente abierta, y las luces del abre-puertas de garaje parpadearán 10 veces.

**NOTA:** Para ahorrar energía, el abre-puertas de garaje pasará a modo pasivo cuando la puerta esté totalmente cerrada. En modo pasivo, el abre-puertas de garaje permanece apagado hasta que vuelva a activarse. En modo pasivo está en sincronización con la bombilla del abre-puertas de garaje. Al apagarse la bombilla, se apagarán los DEL de los sensores y cuando se enciendan las luces del abre-puertas de garaje, se encenderán los DEL del sensor. El abre-puertas de garaje no pasará al modo pasivo hasta que haya completado 5 ciclos desde que se accionó.

**Al instalar los sensores de seguridad, verifique lo siguiente:**

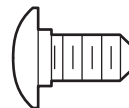
- Que los sensores estén instalados dentro del garaje, uno de cada lado de la puerta.
- Que los sensores estén orientados frente a frente con las lentes alineadas, y que la lente del sensor receptor no reciba la luz directa del sol.
- Que los sensores estén montados a una altura máxima de 15 cm (6 pulg.) sobre el piso y no haya obstrucciones en la trayectoria del haz de luz.



Enfrentando la puerta desde el lado interno del garaje

### PERENÍA

Perno de coche de  
1/4 de pulg.-  
20 x 1/2 de pulg.



Tuerca mariposa  
de 1/4 de pulg.-20

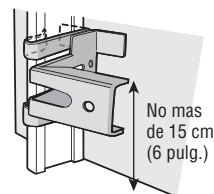


Puede conectar los sensores de reversa de seguridad al carril de la puerta, a la pared o al piso. Los sensores no deben estar a más de 15 cm (6 pulgadas) por encima del piso. Si las mensulas no quedan firmemente en la guía de la puerta, es mejor instalarlas sobre la pared. Opte por uno de los siguientes tipos de instalación.

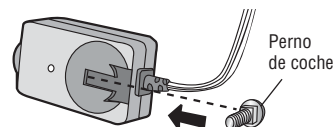
### OPCIÓN A INSTALACIÓN EN LA CARRIL DE LA PUERTA

1. Deslice los brazos curvos de la ménsula del sensor sobre el borde del carril de la puerta. Colóquelos en su posición de modo que la ménsula del sensor quede al ras del carril.
2. Introduzca el perno de coche en la ranura correspondiente de cada sensor.
3. Introduzca el perno en el orificio de la ménsula del sensor y fije con tuercas mariposa. Las lentes de ambos sensores deben quedar frente a frente. Verifique que la ménsula del sensor no obstruya las lentes.

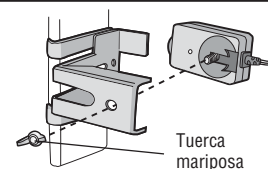
1



2



3



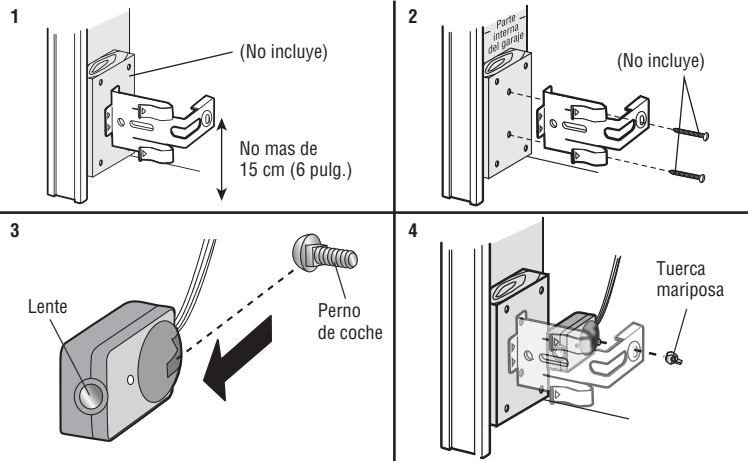
# Instalación

## PASO 13 Instale la Protector System® (continua)

### OPCIÓN B INSTALACIÓN EN LA PARED

Si fuera necesario más espacio puede utilizarse una ménsula prolongadora (no suministrada) o bloques de madera. Cerciórese de que cada ménsula tenga la misma cantidad de espacio para que queden alineadas correctamente.

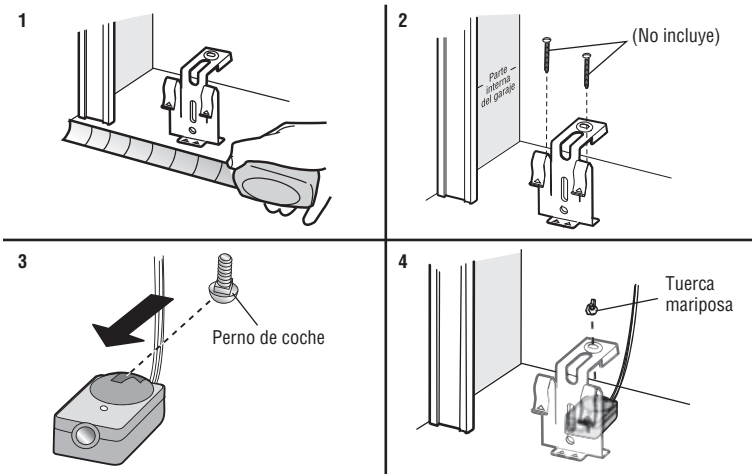
1. Coloque la ménsula del sensor contra la pared, con los brazos curvos hacia la puerta. Verifique que quede suficiente espacio para que el haz no tenga obstrucciones. Marque los orificios.
2. Taladre los orificios de 3/16 de pulg. de diámetro para cada ménsula del sensor y sujete las ménsulas del sensor a la pared con tornillos de cabeza cuadrada o pijas (no provistos).
3. Introduzca el perno de coche en la ranura correspondiente de cada sensor.
4. Introduzca el perno en el orificio de la ménsula del sensor y fije con tuercas mariposa. Las lentes de ambos sensores deben quedar frente a frente. Verifique que la ménsula del sensor no obstruya las lentes.



### OPCIÓN C INSTALACIÓN EN EL PISO

Use una ménsula de extensión (no provista) o un bloque de madera para elevar la ménsula del sensor si es necesario.

1. Mida cuidadosamente la posición de ambas ménsulas del sensor para que haya la misma distancia desde la pared sin obstáculos en el medio.
2. Sujete las ménsulas de sensor al piso con sujetadores de concreto (no provistos).
3. Introduzca el perno de coche en la ranura correspondiente de cada sensor.
4. Introduzca el perno en el orificio de la ménsula del sensor y fije con tuercas mariposa. Las lentes de ambos sensores deben quedar enfrentadas entre sí. Verifique que la ménsula del sensor no obstruya las lentes.



# Instalación

## PASO 14 Cableado de los sensores de reversa de seguridad

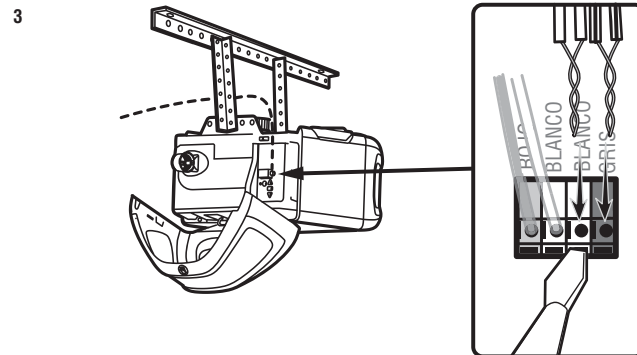
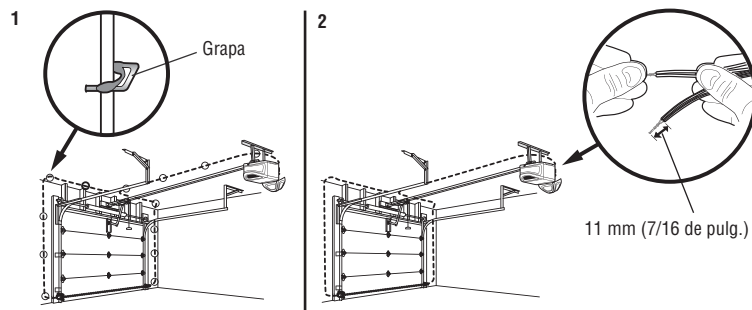
Si el garaje ya tiene cables instalados para los sensores de reversa de seguridad, pase a la página 25.

### OPCIÓN A INSTALACIÓN SIN CABLEADO PREVIO

1. Instale los cables desde ambos sensores hasta el abre-puertas de garaje. Fije los cables a la pared y el cielo raso con grapas.
2. Pele 11 mm (7/16 de pulg.) de cada juego de cables. Separe los cables. Retuerza juntos los cables blancos. Retuerza juntos los cables blanco/negro.
3. Introduzca los cables blancos al terminal blanco del abre-puertas de garaje. Introduzca los cables blanco/negro al terminal gris del abre-puertas de garaje. Para conectar o desconectar un cable, empujar la pestaña con la punta de un destornillador.

### PERENÍA

Grapas con aislamiento (No se muestra)



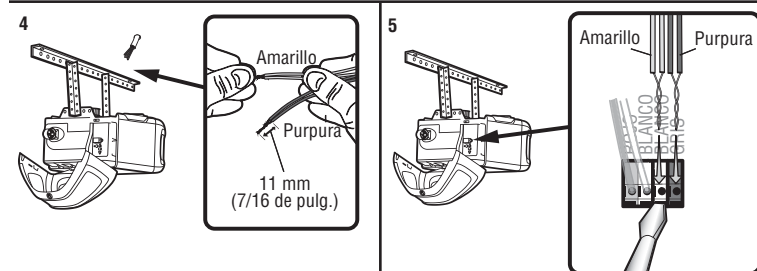
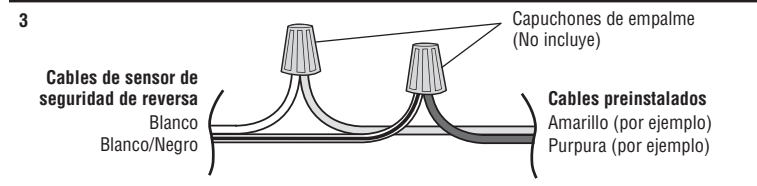
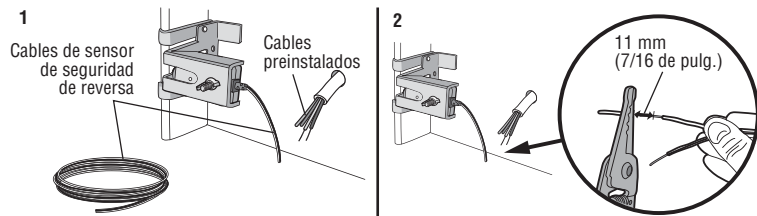


# Instalación

## PASO 14 Cableado de los sensores de reversa de seguridad (continua)

### OPCIÓN B INSTALACIÓN CON CABLEADO PREVIO

1. Corte el extremo del cable del sensor de reversa de seguridad dejando cable suficiente para que llegue a los cables preinstalados en la pared.
2. Separe los cables del sensor de reversa de seguridad y pele 11 mm (7/16 de pulg.) de cada extremo. Elija dos de los cables preinstalados y pele 11 mm (7/16 de pulg.) de cada extremo. Asegúrese de elegir el mismo color de cable preinstalado para cada sensor.
3. Conecte los cables preinstalados con los cables del sensor, usando capuchones de empalme. Verifique que los colores correspondan a cada sensor. Por ejemplo, el cable blanco se conecta con el cable amarillo y el cable blanco/negro se conecta con el cable púrpura.
4. En la abre-puertas de garaje, pele 11 mm (7/16 de pulg.) de cada extremo de los cables elegidos previamente para los sensores de reversa de seguridad. Retuerza juntos los cables de colores similares.
5. Introduzca los cables conectados con los cables blancos del sensor de seguridad con el terminal blanco en el abre-puertas de garaje. Introduzca los cables conectados a los cables blanco/negro del sensor de seguridad con el terminal gris en la abre-puertas de garaje.



Para insertar o soltar el cable, empuje la lengüeta hacia dentro con la punta de un destornillador.

# Instalación

## PASO 15 Conecte la alimentación eléctrica

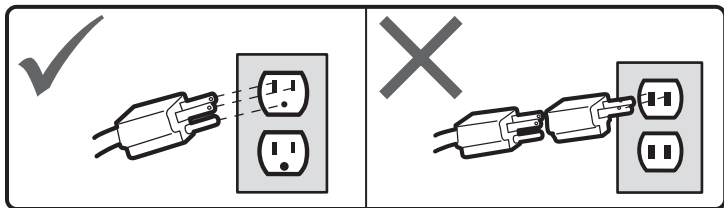
### **ADVERTENCIA**

Para evitar la posibilidad de una LESIÓN GRAVE O INCLUSO LA MUERTE por electrocución o incendio:

- Asegúrese de que el abre-puertas NO esté conectado a la energía eléctrica y desconecte la energía eléctrica al circuito ANTES de quitar la cubierta para establecer la conexión del cableado permanente.
- Tanto la instalación como el cableado de la puerta del garaje DEBEN cumplir con TODOS los códigos locales eléctricos y de construcción.
- NUNCA use una extensión ni un adaptador de dos hilos, tampoco modifique la clavija para poder enchufarla. Asegúrese de que el abre-puertas esté puesto a tierra.

**Para evitar problemas con la instalación, no opere el abre-puertas de garaje ahora.**

Para reducir el riesgo de descarga eléctrica, su abre-puertas de garaje viene con una clavija de conexión a tierra de tres patas. Esta clavija sólo se puede conectar a un tomacorriente con puesta a tierra y con tres entradas. Si la clavija no entra en la toma de corriente que usted tiene, diríjase a un electricista profesional para que instale la toma de corriente correcta.



**HAY DOS OPCIONES PARA CONECTAR LA ALIMENTACIÓN ELÉCTRICA:**

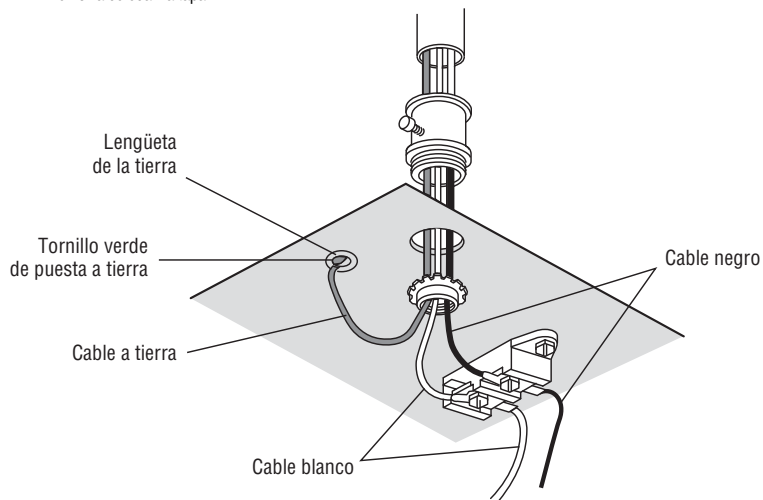
### **OPCIÓN A CONEXIÓN TÍPICA**

1. Enchufe el abre-puertas a un tomacorriente con puesta a tierra.
2. Por el momento, NO ponga en funcionamiento el abre-puertas.

### **OPCIÓN B CONEXIÓN PERMANENTE**

**Si la reglamentación local exige que su abre-puertas tenga cableado permanente, siga los siguientes pasos. Para hacer una conexión permanente a través de la entrada de 7/8 de pulg. en la parte superior del motor (según las normas municipales vigentes):**

1. Quite los tornillos de la tapa del abre-puertas y deje la cubierta hacia un lado.
2. Quite el cable de tres entradas.
3. Conecte el cable (línea) negro al tornillo del terminal de cobre, el cable blanco (neutral) al tornillo del terminal color plata, y el cable a tierra al tornillo verde de la puesta a tierra. **El abre-puertas debe de estar puesto a tierra.**
4. Volver a colocar la tapa.



# Instalación

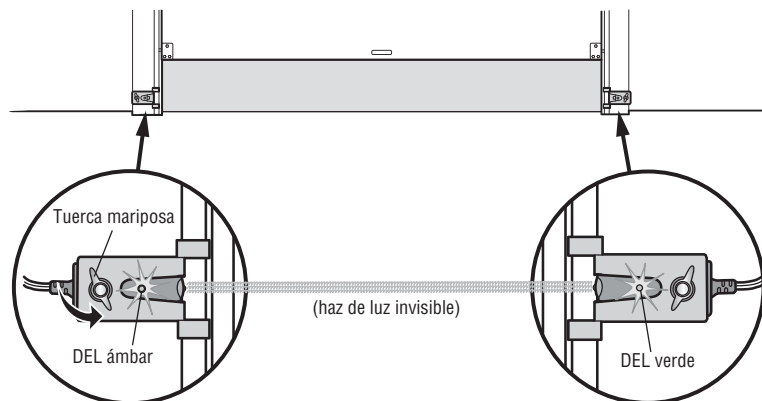
## PASO 16 Alineación de los sensores de reversa de seguridad

La puerta no se cerrará si los sensores de inversión no están instalados y alineados.

Si el haz de luz está desalineado o hay una obstrucción cuando la puerta se está cerrando, la misma invertirá su dirección y las luces se encenderán y apagarán diez veces. Si la puerta estuviera abierta, no se cerrará.

1. Verificar que los DEL de los sensores estén encendidos. Si los sensores están conectados y alineados correctamente, los DEL quedarán encendidos.

Para alinear los sensores, aflojar las tuercas mariposa, alinearlos y volver a ajustar las tuercas.



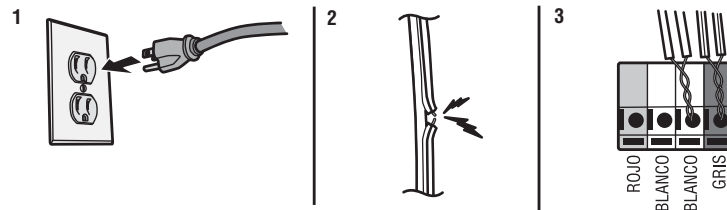
SENSOR EMISOR

SENSOR RECEPTOR

Si el sensor receptor está expuesto directamente a la luz solar, invertir la conexión con el sensor del lado opuesto.

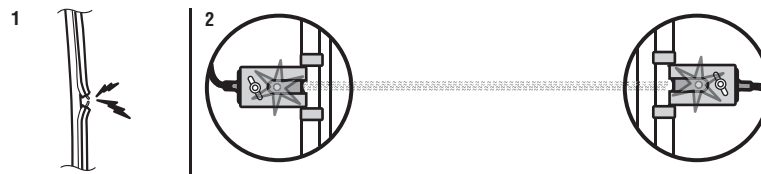
### SI EL DEL ÁMBAR DEL SENSOR EMISOR NO SE ENCIENDE:

1. Verificar que llegue energía eléctrica al abre-puerta.
2. Verificar que no haya un cortocircuito ni el sensor esté roto.
3. Verificar que el sensor esté correctamente conectado. cables blancos al terminal blanco y cables blanco/negro al terminal gris.



### SI EL DEL VERDE DEL SENSOR RECEPTOR NO SE ENCIENDE:

1. Verificar que no haya un cortocircuito ni el sensor esté roto.
2. Verificar la alineación de los sensores.



## PASO 17 Verificar que el instalación de alambres para el control remoto es correctamente

Si el control de la puerta se ha instalado y cableado correctamente, aparecerá un mensaje en la pantalla del Smart Control Panel.

# Ajustes

## Introducción

### ADVERTENCIA

Si el sistema de auto-reversa de seguridad no se ha instalado debidamente, las personas (y los niños pequeños en particular) podrían sufrir LESIONES GRAVES O INCLUSO LA MUERTE cuando se cierre la puerta del garaje.

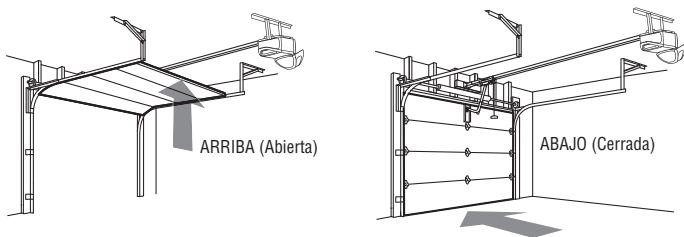
- El ajuste incorrecto de los límites del recorrido de la puerta del garaje habrá de interferir con la operación adecuada del sistema de auto-reversa de seguridad.
- Después de llevar a cabo QUALQUIER ajuste, SE DEBE probar el sistema de reversa de seguridad. La puerta DEBE retroceder al entrar en contacto con un objeto de 3.8 cm (1-1/2 de pulg.) de altura (o de 5 x 10 cm [2 x 4 pulg.] acostado en el piso).

### PRECAUCIÓN

Para evitar que los vehículos sufran daños, de que cuando la puerta esté completamente abierta quede suficiente espacio asegúrese.

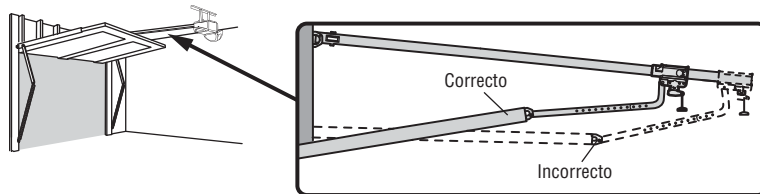
El abre-puerta tiene controles electrónicos que facilitan su instalación y regulación. Con los ajustes puede programar el punto de parada de la puerta en su posición abierta (ARRIBA) y cerrada (ABAJO). Los controles electrónicos detectan la cantidad de fuerza que es necesaria para abrir y para cerrar la puerta. La fuerza se ajusta automáticamente cuando se programa el recorrido.

**NOTA:** Si algo interfiere con el recorrido de la puerta en su trayectoria hacia arriba, la puerta se detendrá. La puerta invertirá su dirección de movimiento si encuentra una interferencia en su movimiento hacia abajo.



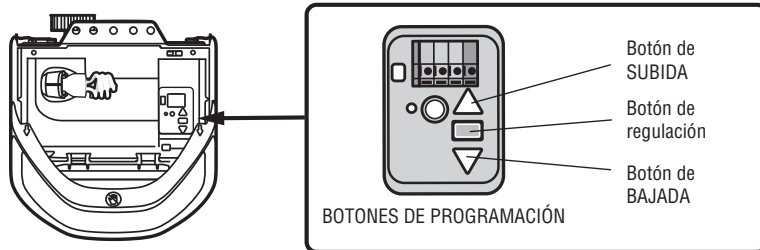
## Solamente para las puertas de una sola pieza

Al configurar el recorrido hacia ARRIBA de una puerta de una sola pieza, verifique que la puerta no quede inclinada hacia atrás al abrirse completamente (ARRIBA). Si la puerta queda inclinada hacia atrás se deformará, hará movimientos irregulares y/o se sacudirá al abrir o al cerrar.



## Botones de programación

Los botones de programación están en el panel a la izquierda del abre-puertas de garaje y se utilizan para programar el recorrido de la puerta. Cuando programar, los botones de arriba y abajo pueden utilizarse para mover la puerta cuando sea necesario.



# Ajustes

## PASO 1 Programación del recorrido

### ADVERTENCIA

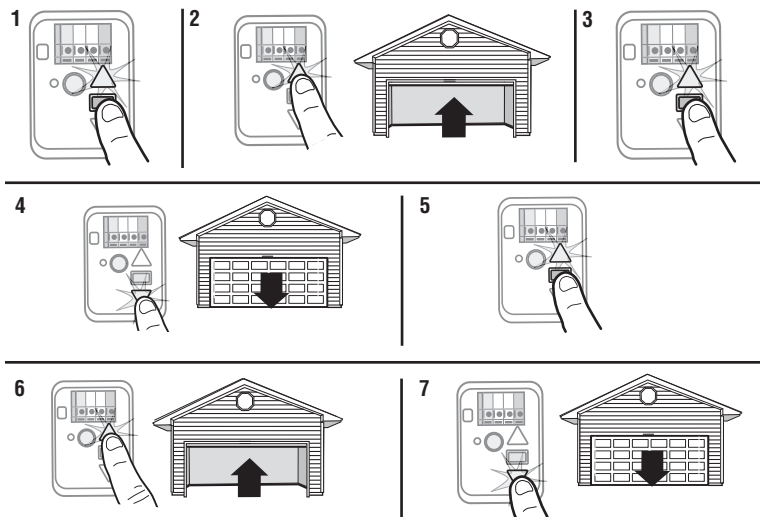
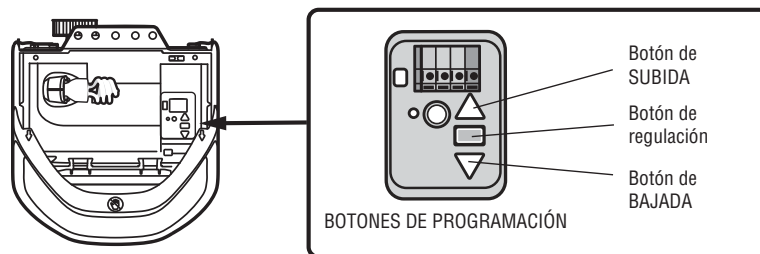
Si el sistema de auto-reversa de seguridad no se ha instalado debidamente, las personas (y los niños pequeños en particular) podrían sufrir LESIONES GRAVES O INCLUSO LA MUERTE cuando se cierre la puerta del garaje.

- El ajuste incorrecto de los límites del recorrido de la puerta del garaje habrá de interferir con la operación adecuada del sistema de auto-reversa de seguridad.
- Después de llevar a cabo QUALQUIER ajuste, SE DEBE probar el sistema de reversa de seguridad. La puerta DEBE retroceder al entrar en contacto con un objeto de 3.8 cm (1-1/2 de pulg.) de altura (o de 5 x 10 cm [2 x 4 pulg.] acostado en el piso).

Cuando programar, los botones de ARRIBA y ABAJO pueden utilizarse para mover la puerta cuando sea necesario.

1. Presione y mantenga presionado el botón de Ajuste hasta que el botón ARRIBA (UP) empiece a parpadear y/o se escuche una señal sonora.
2. Presione y mantenga presionado el botón ARRIBA (UP) hasta que la puerta se encuentre en la posición deseada.
3. Una vez que la puerta esté en la posición deseada, presione y suelte el botón de Ajuste. Las luces del abrepuertas de garaje parpadearán dos veces y el botón ABAJO (DOWN) comenzará a parpadear. **NOTA IMPORTANTE:** Para instalación de puertas de una sola pieza véase la página 28.
4. Presione y mantenga presionado el botón ABAJO (DOWN) hasta que la puerta se encuentre en la posición deseada.
5. Una vez que la puerta esté en la posición deseada, presione y suelte el botón de Ajuste. Las luces del abrepuertas de garaje parpadearán dos veces y el botón ARRIBA (UP) comenzará a parpadear.
6. Presione y suelte el botón ARRIBA (UP). Cuando la puerta se desplace a la posición programada de ARRIBA (UP), el botón ABAJO (DOWN) empezará a parpadear.
7. Presione y suelte el botón ABAJO (DOWN). La puerta se desplazará a la posición programada de ABAJO (DOWN). La programación ha finalizado.

\* Si las luces del abre-puerta se encendieran intermitentemente cinco veces durante la programación, significa que ha pasado el tiempo asignado a la programación. Si las luces del abre-puertas de garaje parpadean 10 veces durante la programación del recorrido, significa que los sensores de seguridad están mal alineados u obstruidos (consulte la página 27). Cuando los sensores estén bien alineados y no haya obstrucción, abra y cierre la puerta con el control remoto o con los botones de ARRIBA (UP) y ABAJO (DOWN). La programación ha finalizado. Si no puede operar la puerta hacia arriba o hacia abajo, repita los pasos de Programación del recorrido.



Para ver un video conéctese a [tinyurl.com/kwbnhj](https://tinyurl.com/kwbnhj)

# Ajustes

## PASO 2 Prueba del sistema de reversa de seguridad

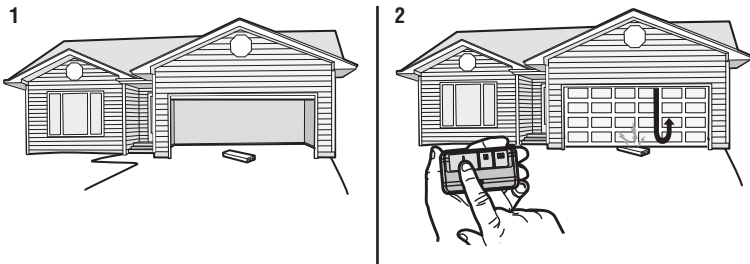
### ADVERTENCIA

Si el sistema de auto-reversa de seguridad no se ha instalado debidamente, las personas (y los niños pequeños en particular) podrían sufrir LESIONES GRAVES O INCLUSO LA MUERTE cuando se cierre la puerta del garaje.

- El sistema de reversa de seguridad SE DEBE probar cada mes.
- Después de llevar a cabo CUALQUIER ajuste, SE DEBE probar el sistema de reversa de seguridad. La puerta DEBE retroceder al entrar en contacto con un objeto de 3.8 cm (1 1/2 de pulg.) de altura (o de 5 x 10 cm [2 x 4 pulg.] acostado en el piso).

1. Con la puerta completamente abierta, coloque una tabla de 3.8 cm (1 1/2 de pulg.) de altura (o de 5 x 10 cm [2 x 4 pulg.] acostada en el piso), centrada abajo de la puerta del garaje.
2. Opere la puerta en la dirección hacia abajo. La puerta DEBERÁ entrar en reversa automáticamente al hacer contacto con la obstrucción.

Si la puerta se detiene y no retrocede al encontrar un obstáculo, se necesita ajustar el recorrido (consulte el Paso de ajuste 1). Repita la prueba. Si la puerta retrocede automáticamente al hacer contacto con la tabla de 3.8 cm (1-1/2 de pulg.) (o 2x4 pulg.), quite la obstrucción y abra y cierre la puerta completamente por lo menos 3 o 4 veces para verificar que esté bien regulada. Si al abre-puertas continúa sin revertir la dirección, llame a un técnico profesional para solucionar el problema.



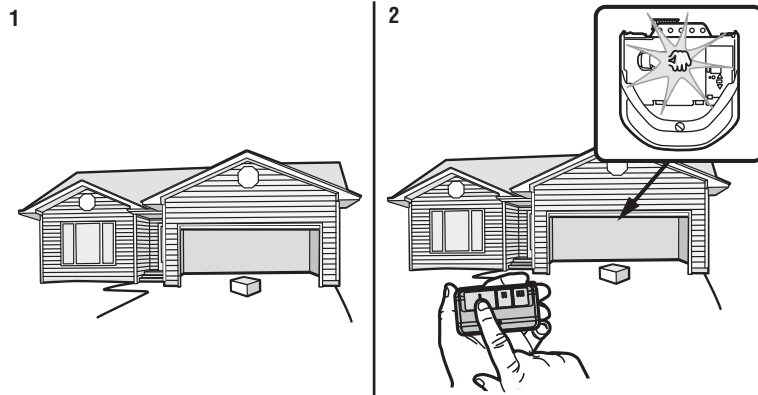
## PASO 3 Pruebe el Protector System®

### ADVERTENCIA

Si un sensor de reversa de seguridad no se ha instalado adecuadamente, las personas (y los niños pequeños en particular) podrían sufrir LESIONES GRAVES o incluso MORIR al cerrar la puerta del garaje.

1. Abra la puerta. Coloque la caja del abre-puertas de garaje en el recorrido de la puerta.
2. Presione el botón pulsador del control remoto para cerrar la puerta. La puerta no se moverá más de 2.5 cm (una pulgada), y las luces del abre-puertas de garaje parpadearán 10 veces.

El abre-puertas de garaje no se cerrará mediante un control remoto si el DEL del sensor de reversa de seguridad está apagado (alertándolo de que el sensor está mal alineado o obstruido). Si el abre-puertas de garaje cierra la puerta cuando el sensor de reversa de seguridad está obstruido, y los sensores no están a más de 15 cm (6 pulgadas) por encima del piso, llame a un técnico especializado en sistemas de puertas.



# Batería de repuesto

## PASO 1 Instale la batería

### ADVERTENCIA

Para reducir el riesgo de INCENDIO o LESIONES a las personas:

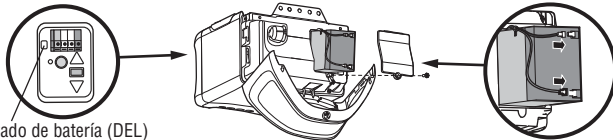
- Desconecte TODA la corriente eléctrica y de la batería ANTES de realizar CUALQUIER servicio o mantenimiento.
- Use SÓLO la pieza N.º 041A6357-1 de Chamberlain como batería de repuesto.
- NO arroje la batería al fuego. La batería puede estallar. Consulte las instrucciones para desechar baterías en los códigos locales.

### PRECAUCIÓN

Use SIEMPRE guantes protectores y protección para la vista al cambiar la batería o al trabajar cerca del compartimiento de la batería.

La batería de reserva permite entrar y salir del garaje cuando hay un corte de energía eléctrica. No es necesario que la batería esté totalmente cargada para hacer funcionar el abre-puerta. Cuando el abre-puerta esté funcionando con batería funcionará con más lentitud y el LED indicador de estado de batería se encenderá de anaranjado y se emitirá una señal sonora cada 2 segundos. Al usar la batería de reserva no estarán disponibles las siguientes funciones:

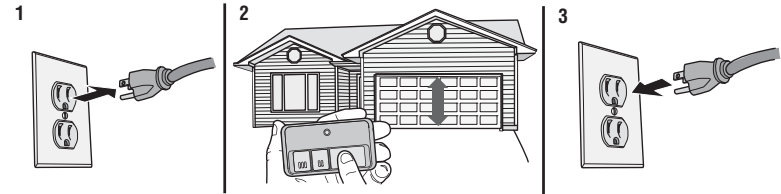
- Luces del abre-puerta de garaje
- Dispositivos y funciones de cierre automatizado (por ejemplo: control inteligente MyQ® y temporizador de cierre)



1. Desenchufe el abre-puertas de garaje.
2. Abra la tapa de la luz desde el panel derecho del abre-puertas del garaje. Con un destornillador Phillips, quite la tapa de la batería del abre-puertas de garaje.
3. Coloque parcialmente la batería en su compartimiento, con los terminales hacia afuera.
4. Conecte los conductores rojo (+) y negro (-) del abre-puertas de garaje a los terminales correspondientes de la batería.
5. Vuelva a colocar la tapa de la batería.
6. Enchufe el abre-puertas de garaje.
7. Espere hasta que el DEL verde de estado de la batería comience a parpadear antes de probar la batería.

## PASO 2 Prueba de la batería

1. Desenchufe el abre-puertas de garaje. El DEL del estado de la batería estará encendido de color anaranjado sólido, lo que indica que el abre-puertas está funcionando a batería o bien parpadeará, lo que indica que tiene la batería baja. **NOTA:** Verifique que el abre-puertas de garaje esté desenchufado.
2. Abra y cierre la puerta con el control remoto o con el control de la puerta. Si la batería no está totalmente cargada, el abre-puertas de garaje podría funcionar a menor velocidad. La batería se carga totalmente en 24 horas.
3. Enchufe el abre-puertas de garaje. Verifique que el DEL verde de estado de la batería esté parpadearando, lo que indica que la batería está cargándose.



## Carga de la batería

La batería se carga mientras el abre-puerta está enchufado a un tomacorriente. La batería se carga totalmente en 24 horas. Una batería completamente cargada provee 12 Vcc al abre-puertas de garaje durante uno a dos días de funcionamiento normal durante un corte de energía eléctrica. Una vez restaurada la energía eléctrica, la batería se recargará dentro de 24 horas. La batería durará aproximadamente de 1 a 2 años con un uso normal. Para que la batería dure hasta su máxima capacidad y para evitar daños, desconéctela cuando el abre-puertas de garaje esté desenchufado durante un período prolongado, por ejemplo, en el caso de una casa de verano o invierno.

# Control inteligente MyQ®

## Conéctese

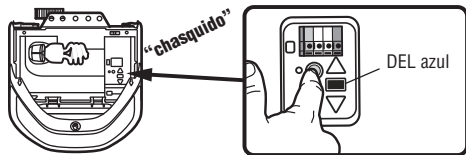
...y controle el abre-puerta de garaje con la aplicación MyQ®.

### Lo que necesitará:

- Un teléfono inteligente o tableta
- Conexión a Internet de banda ancha
- Una buena señal de Wi-Fi en el garaje (**Se requieren 2.4 Ghz 802.11b/g/n**), véase la 3
- Contraseña de la red de su vivienda
- Número de serie MyQ® que se encuentra en el abre-puerta de garaje

### 1. ACTIVE EL MODO "WI-FI LEARN"

Pulse y suelte tres veces el botón amarillo LEARN del abre-puerta. El abre-puerta emitirá una señal sonora y parpadeará una luz azul. Tiene 20 minutos para configurar la conexión.



### 2. CONEXIÓN A LA RED WI-FI DE MyQ®

En su dispositivo móvil vaya a Settings > Wi-Fi y elija la red con el prefijo "MyQ-".



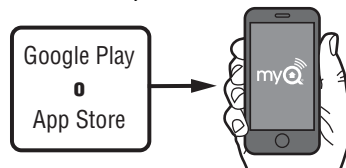
### 3. CONEXIÓN DEL ABRE-PUERTA DE GARAJE A LA RED WI-FI DE SU VIVIENDA

Abra el navegador de Internet (por ejemplo, Safari o Chrome) en el dispositivo móvil y conéctese a "setup.myqdevice.com". Siga las instrucciones en pantalla para integrar el abre-puerta de garaje a la red Wi-Fi de su vivienda.



### 4. CONFIGURACIÓN DE SU CUENTA MyQ®

Descargue la aplicación MyQ® de App Store<sup>SM</sup> o de Google Play<sup>TM</sup>. Regístrese en la cuenta MyQ® y agregue el número de serie MyQ® a la cuenta.



**Felicitaciones, usted ha finalizado la configuración. Ahora aproveche el uso del control MyQ® con su teléfono inteligente.**

Además de controlar el abre-puerta de garaje, también puede controlar luces en su vivienda con otros accesorios MyQ®. Véase la 41.

#### NOTAS:

*El control MyQ® con teléfono inteligente NO funcionará si el abre-puerta está funcionando con batería.  
Para borrar la configuración de Wi-Fi véase la 37.*

**Vea más detalles en [wifihelp.chamberlain.com](http://wifihelp.chamberlain.com).**



## INSTRUCCIONES IMPORTANTES DE SEGURIDAD

### **ADVERTENCIA**

### **Para reducir el riesgo de LESIONES GRAVES o la MUERTE:**

1. LEA Y RESPETE TODAS LAS ADVERTENCIAS Y LAS INSTRUCCIONES.
2. SIEMPRE guarde los controles remotos lejos del alcance de los niños. NUNCA permita que los niños hagan funcionar o jueguen con los botones del control del abre-puertas de garaje o con los controles remotos.
3. SÓLO active el abre-puertas de garaje siempre y cuando lo pueda ver con claridad, esté debidamente ajustado y no haya ninguna obstrucción en su recorrido al cerrarse.
4. SIEMPRE mantenga la puerta del garaje a la vista y alejada de las personas y objetos hasta que esté completamente cerrada. NADIE DEBE ATRAVESAR EL RECORRIDO DE LA PUERTA CUANDO ESTÁ EN MOVIMIENTO.
5. NADIE DEBE CRUZAR POR DEBAJO DE UNA PUERTA DETENIDA O PARCIALMENTE ABIERTA.
6. De ser posible, use el desenganche de emergencia para soltar el carro SÓLO cuando la puerta del garaje esté CERRADA. Tenga precaución cuando utilice este desenganche con la puerta abierta. Si los resortes esta debiles o rotos, o la puerta desequilibrada pueden ocasionar que una puerta abierta caiga rápida y/o inesperadamente y aumentan el riesgo de LESIONES GRAVES o la MUERTE.
7. NUNCA use la manija de emergencia a menos que la entrada a la cochera esté libre de obstrucciones y no haya ninguna persona presente.
8. NUNCA use la manija para abrir o cerrar la puerta jalándola. Si el nudo de la cuerda se suelta, usted podría caerse.
9. Después de llevar a cabo CUALQUIER ajuste, SE DEBE probar el sistema de reversa de seguridad.
10. El sistema de reversa de seguridad SE DEBE probar cada mes. La puerta del garaje DEBE retroceder al entrar en contacto con un objeto de 3,8 cm (1-1/2 de pulg.) de altura (o de 2 x 4 acostado en el piso). Si no se ajusta el abre-puertas de garaje debidamente, aumentará el riesgo de sufrir LESIONES GRAVES o la MUERTE.
11. MANTENGA SIEMPRE LA PUERTA DEL GARAJE DEBIDAMENTE EQUILIBRADA (vea la página 2). Si la puerta no está debidamente equilibrada es posible que NO retroceda cuando así se requiera y podría ocasionar una LESIÓN GRAVE O INCLUSO LA MUERTE.
12. TODAS las reparaciones necesarias para los cables, resortes y otras piezas DEBEN ser realizadas por un técnico profesional en sistemas de puertas, pues TODAS estas piezas están bajo una tensión EXTREMA.
13. SIEMPRE desconecte el suministro de corriente eléctrica y de la batería del abre-puertas de garaje ANTES de llevar a cabo CUALQUIER reparación o de quitar las cubiertas.
14. Este sistema tiene una función de activación por estado pasivo. La puerta podría ponerse en movimiento repentinamente. NADIE DEBE ATRAVESAR EL RECORRIDO DE LA PUERTA CUANDO ESTÁ EN MOVIMIENTO.
15. NO usarlo para puertas de una sola pieza si utiliza dispositivos de cierre automático. Los dispositivos y funciones automáticas deben usarse ÚNICAMENTE con puertas seccionales.

## **16. CONSERVE ESTAS INSTRUCCIONES.**

# Operación

## Cómo usar su abre-puertas de garaje

- El abre-puerta puede activarse con un control fijo de pared, con control remoto, con teclado digital, con una aplicación de control inteligente MyQ® o con un monitor de puerta MyQ®. Al activarse el abre-puerta con la puerta cerrada, la puerta se abrirá. La puerta se detendrá si detecta una obstrucción o se interrumpe el movimiento. Al activarse el abre-puerta con la puerta en cualquier posición que no sea cerrada, la puerta se cerrará. Si el abre-puerta detecta una obstrucción mientras se cierra, la puerta invertirá su dirección de movimiento. Si una obstrucción interrumpe el haz del sensor, las luces del abre-puerta de garaje parpadearán 10 veces. Si la puerta está totalmente abierta, y los sensores no están instalados o están desalineados, la puerta no se cerrará con el control remoto, con temporizador de cierre ni con control inteligente MyQ®. Usted sí podrá cerrar la puerta manteniendo presionado el botón del control fijo o la tecla ENTER en el teclado digital sin llave.
- Al enchufar inicialmente el abre-puerta, las luces se encenderán, y también cuando vuelva la energía eléctrica después de un corte o cuando se activa el abre-puerta. Las luces se apagarán automáticamente después de 4,5 minutos. Las luces se encenderán cuando alguien entre por la puerta del garaje y sea interrumpido el haz de los sensores de seguridad (véase la página 35). Puede usarse una bombilla incandescente A19 (de hasta 100 vatios) o una bombilla fluorescente de alto rendimiento (CFL) de hasta 26 W (equivalente a 100 vatios) para máxima eficiencia energética. **NOTA:** El uso de bombillas de cuello corto o especiales puede sobrecalentar el panel o el receptáculo para la bombilla. No use bombillas DEL, ya que pueden reducir el alcance o el rendimiento de los controles remotos.

## Para abrir la puerta manualmente

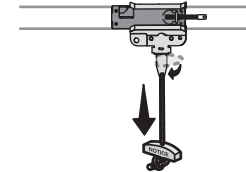
### **ADVERTENCIA**

Para evitar la posibilidad de una LESIÓN GRAVE o INCLUSO LA MUERTE si la puerta del garaje se cae:

- De ser posible, use el desenganche de emergencia para soltar el carro SÓLO cuando la puerta del garaje esté CERRADA. Si los resortes están débiles o rotos o si la puerta está desequilibrada, podría abrirse y caer rápida y/o inesperadamente.
- NUNCA use la manija de desenganche de emergencia a menos que la entrada al garaje esté libre de obstrucciones y no haya ninguna persona presente.
- NUNCA use la manija para tirar de la puerta para abrirla o cerrarla. Si el nudo de la cuerda se suelta, usted podría caerse.

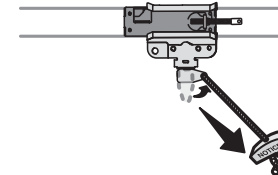
### DESCONECTE EL CARRO

- Si es posible, la puerta se debe cerrar completamente.
- Jale la manija de desenganche de emergencia para que el brazo de desenganche del carro quede en posición vertical. A continuación, la puerta se puede subir y bajar manualmente siempre que sea necesario.



### RECONECTAR EL CARRO

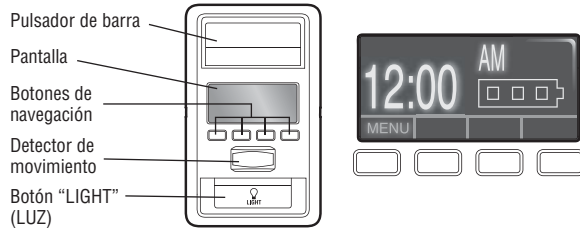
- Jale la manija de desenganche emergencia hacia el abre-puertas de garaje para que el brazo del carro quede en posición horizontal. El carro se volverá a conectar en la próxima operación de movimiento hacia ARRIBA o hacia ABAJO, ya sea manualmente o usando el control de la puerta o el control remoto.



# Operación

## Control de la puerta

**SINCRONIZACIÓN DEL CONTROL DE LA PUERTA:** Para sincronizar el control con el abre-puertas de garaje, presione el pulsador de barra hasta que se active el abridor de la puerta de cochera (podría llevar hasta tres intentos). Pruebe el control de la puerta presionando el pulsador de barra. Cada vez que se presiona el pulsador de barra, se activará el mecanismo del abridor de la puerta de cochera.



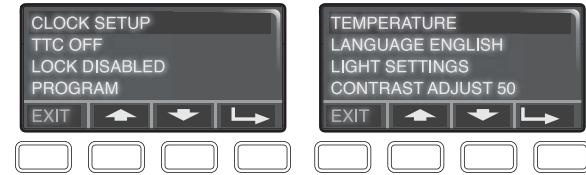
**BARRA DE EMPUJE:** Para abrir o cerrar la puerta utilice el pulsador de barra.

**BOTÓN DE LUCES:** Oprima el botón de LUZ (LIGHT) para encender o apagar las luces del abre-puerta. Las luces permanecerán encendidas hasta que se vuelva a pulsar el botón o hasta que se active el abre-puerta. Después de activarse el abre-puertas de garaje, las luces permanecerán encendidas el tiempo especificado (la configuración de fábrica es de cuatro minutos y medio). Este botón de LUZ (LIGHT) no controla las luces del abre-puerta cuando la puerta está en movimiento. La luz se encenderá cuando alguien entre al garaje por la puerta y el haz infrarrojo del sensor de seguridad se interrumpa.

**DETECTOR DE MOVIMIENTO:** El detector de movimiento enciende automáticamente las luces del abre-puerta al detectar movimiento. Las luces quedan encendidas durante el tiempo programado y luego se apagan. Si se desea usar la luz del abre-puertas de garaje permanentemente es necesario desactivar el detector de movimiento para evitar que se apague cuando usted quede fuera del alcance del detector.

**FUNCIONES EN PANTALLA:** En la pantalla se muestra la hora, la temperatura y la carga de la batería, hasta que se oprime el botón de menú para ver las opciones. Si hay un problema con el abre-puerta, en la pantalla se verá un código de error (véanse códigos de diagnóstico en la página 39). La programación de las funciones de control puede realizarse por medio de menús en pantalla. Con los botones de navegación podrá recorrer los menús y confirmar las opciones elegidas.

## OPCIONES DE MENÚ



**FUNCIONAMIENTO DEL RELOJ:** Poner el hora el reloj, elegir formato de 12 o 24 horas y la opción de mostrar u ocultar el reloj.

**TEMPERATURA:** Elegir grados Fahrenheit o centígrados, y la opción de mostrar u ocultar la temperatura.

**IDIOMA:** Puede elegir inglés, español o francés.

**CONTRASTE:** Regula el contraste de la pantalla.

### PARÁMETROS DE LUZ:

Para cambiar el tiempo que las luces permanecen encendidas:

1. Seleccionar LIGHT SETTINGS (Parámetros de luz) en el menú.
2. Seleccionar LIGHT TIME (Tiempo de luz).
3. Seleccionar el tiempo.

Para activar o desactivar el control de luces (de fábrica viene activado):

1. Seleccionar LIGHT SETTINGS (Parámetros de luz) en el menú.
2. Seleccionar AUTOMATIC LIGHTS (Luces automáticas).
3. Seleccionar ENTRY SENSOR (Detector de movimiento).

Para activar o desactivar el detector de movimiento:

1. Seleccionar LIGHT SETTINGS (Parámetros de luz) en el menú.
2. Seleccionar AUTOMATIC LIGHTS (Luces automáticas).
3. Seleccionar MOTION SENSOR (Detector de movimiento).

**BLOQUEO:** Impide la activación del abre-puerta con un control remoto, pero sigue funcionando con el control fijo y el teclado digital.

Para activar o desactivar el LOCK (Bloqueo):

1. Seleccionar LOCK (Bloqueo) en el menú. Al activar el LOCK (bloqueo) aparecerá un mensaje en pantalla.

# Operación

## OPCIONES DE MENÚ (CONTINUACIÓN)

**TEMPORIZADOR DE CIERRE (TTC) (viene desactivado de fábrica):** El temporizador de cierre comanda automáticamente el cierre de la puerta después de un período preestablecido que puede regularse con el control de la puerta. NO activar el temporizador de cierre con puertas enterizas (de una sola pieza). Esta función puede utilizarse ÚNICAMENTE con puertas seccionales. Antes de que se cierre la puerta, el abre-puerta emitirá un sonido de advertencia y las luces se encenderán intermitentemente. El temporizador de cierre se desactivará si la puerta encuentra dos obstrucciones consecutivamente o los detectores de seguridad están desalineados. La puerta invertirá su dirección de movimiento y NO se volverá a cerrar hasta que se despejen las obstrucciones o los detectores de seguridad queden correctamente alineados. Con los problemas eliminados, la puerta se cerrará cuando se active nuevamente el abre-puerta. Esta función NO se activará si el abre-puertas de garaje está funcionando con batería o si los sensores de reversa de seguridad no están alineados correctamente. Esta función NO debe ser el método principal para cerrar la puerta del garaje. Si se usa esta función es conveniente instalar una entra sin llave para el caso de que el usuario quede accidentalmente del lado de afuera después de que se haya cerrado la puerta.

Para activar o desactivar el temporizador de cierre o cambiar el tiempo de intervención:

1. Seleccionar TTC en el menú.
2. Seleccionar un intervalo de 1, 5, 10 minutos u otro valor hasta 99 minutos. Con el temporizador programado, al abrirse la puerta se verá en pantalla el tiempo que falta para que se cierre.

Para cancelar temporalmente el temporizador de cierre seleccionar HOLD (Espera). Para volver a activar el temporizador seleccionar REL.

**PROGRAMACIÓN:** Con la función PROGRAM puede programarse cualquier control remoto compatible, teclado digital o dispositivo MyQ®.

## Control remoto y teclado digital

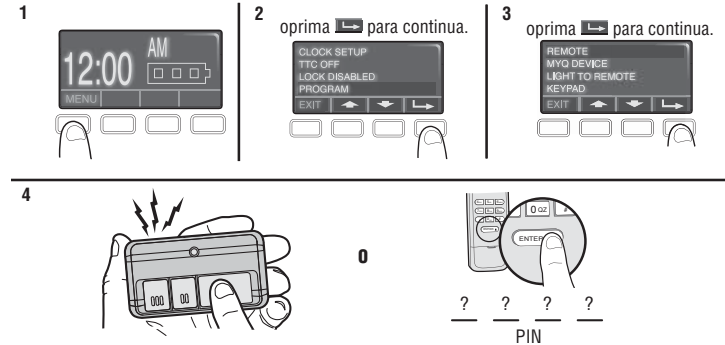
**Incluye el control remoto programado, por ello no es necesario volver a programar el control remoto.**

Para agregar o programar un control remoto, seguir las instrucciones a continuación. Los controles remotos Chamberlain más antiguos NO son compatibles, consulte la 41 para conocer los accesorios compatibles.

### PROGRAMACIÓN CON EL CONTROL DE LA PUERTA

1. Presione el botón de navegación debajo de "MENÚ" para ver el menú de funciones.
2. Usar los botones de navegación para desplazarse hasta "PROGRAM".
3. Seleccionar "REMOTE" o "KEYPAD" para programar desde el menú de programación.
4. **Control remoto:** Oprimir el botón del control remoto con el cual desea comandar la puerta.  
**Llave digital:** Escribir un número de cuatro dígitos (PIN) como código personal de uso del teclado digital de acceso. Pulsar el botón ENTER.

Las luces del abre-puertas de garaje parpadearán (o se escucharán dos clics) cuando el código quede programado. Repetir los pasos anteriores para programar otros controles remotos o teclados digitales de acceso. Si no puede programar, uso el botón de Aprendizaje para programar el control remoto.



Para ver un video conéctese a [tinyurl.com/lcsf6xt](https://tinyurl.com/lcsf6xt)

## HomeLink®

Si su vehículo está equipado con HomeLink® podría ser necesario usar Compatibility Bridge™ (no incluido). Para confirmar si es necesario usar el puente consultar el sitio [bridge.chamberlain.com](https://bridge.chamberlain.com).

# Operación

## Para borrar la memoria

### BORRAR TODOS LOS DATOS DE CONTROL REMOTO Y LLAVE DIGITAL

1. Mantenga presionado el botón de aprendizaje (LEARN) en el abre-puertas de garaje hasta que se apague el DEL (aproximadamente 6 segundos). Se borrarán todos los códigos de los controles y entradas digitales. Vuelva a programar todo accesorio que desee usar.

### BORRAR LOS CONTROLES REMOTOS, LOS TECLADOS Y LOS DISPOSITIVOS MyQ® DEL ABRE-PUERTA DE GARAJE

1. Mantener oprimido el botón de aprendizaje (LEARN) en el abre-puerta hasta que se apague el DEL (aproximadamente 6 segundos).
2. Inmediatamente presione el botón de aprendizaje (LEARN) hasta que el DEL se apague. Todos los códigos estarán borrados. Vuelva a programar todo accesorio que desee usar.

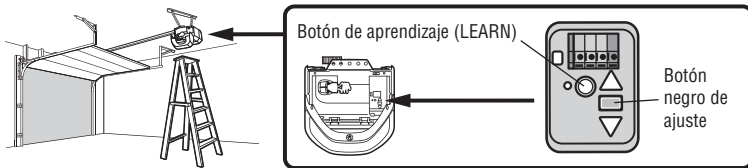
### ELIMINAR LA CONEXIÓN DEL ABRE-PUERTA A LA RED WI-FI RED

1. Presionar y mantener presionado el botón negro del abre-puerta hasta escuchar 3 señales sonoras (unos 6 segundos).

### BORRAR UNA CUENTA MyQ®

1. Conéctese a [www.mychamberlain.com](http://www.mychamberlain.com) para entrar a su cuenta MyQ®.
2. Vaya a la sección "Account".
3. Haga clic en "Delete Account".

En [wifihelp.chamberlain.com](http://wifihelp.chamberlain.com) encontrará más detalles.



# Mantenimiento

## Calendario de mantenimiento

### UNA VEZ AL MES

- Haga funcionar la puerta manualmente. Si esta desbalanceada o se pandea, llame a un técnico especializado en sistemas de puertas.
- Verifique que la puerta se abra y se cierre completamente. Ajustar si es necesario, vea la página 28.
- Pruebe el sistema de reversa de seguridad. Ajustar si es necesario, vea la página 30.

### ANUALMENTE

- Ponga aceite en los rodillos, los cojinetes y las bisagras de la puerta. El abre-puertas de garaje no necesita lubricación adicional. No lubrique los carriles de la puerta.
- Pruebe la reserva de la batería y reemplácela para asegurarse de que el abre-puertas de garaje funcionará durante un corte de energía eléctrica. Consulte la página 31 para probar la reserva de la batería.

## La batería del control remoto

### **ADVERTENCIA**

Para evitar una **LESIÓN GRAVE** o **INCLUSO LA MUERTE**:

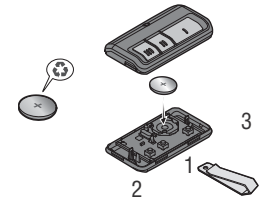
- **NUNCA** permita que los niños pequeños estén cerca de las baterías.
- Si alguien se traga una batería, llame al médico de inmediato.

Para reducir el riesgo de explosión o quemadura:

- Reemplace **ÚNICAMENTE** con baterías planas 3V CR2032.
- **NO recargar, desarmar, calentar por sobre 212 °F (100 °C) ni incinerar.**

La batería de Litio 3V CR2032 debe producir energía durante hasta 3 años. Si la batería está baja, el DEL del control remoto no parpadeará cuando se presione el botón.

Para reemplazar la batería, abra la caja primero por el medio (1), luego por cada lado (2 y 3) con el broche para visera. Reemplace las baterías sólo por baterías de tipo botón 3V CR2032. Coloque la batería con el lado positivo hacia arriba. Deseche las baterías usadas en forma adecuada.



**AVISO:** Las normas de la FCC de EE.UU. y las normas IC de Canadá prohíben la modificación de este transceptor. **NO HAY PIEZAS QUE PUEDA REPARAR EL USUARIO.**

Este dispositivo cumple con la parte 15 de las Reglamentaciones de la FCC de EE.UU. y con las normas IC RSS-210. La operación está sujeta a las dos condiciones siguientes: (1) este dispositivo no puede causar interferencia perjudicial, y (2) este dispositivo debe aceptar cualquier interferencia recibida, incluyendo la interferencia que puede causar una operación no deseable. Instalar este dispositivo de manera que quede una distancia mínima de 8 pulg. (20 cm) entre el dispositivo y los usuarios/transmigrantes.

# Resolución de problemas

## Tabla de diagnóstico

El abre-puerta de garaje viene programado con funciones de autodiagnóstico. Las flechas hacia ARRIBA y ABAJO se encienden para mostrar los códigos de diagnóstico.

CÓDIGO DE DIAGNÓSTICO		SÍNTOMAS	SOLUCIÓN
La flecha hacia arriba parpadea	La flecha hacia abajo parpadea		
1	1	El abre-puertas de garaje no cierra la puerta y las bombillas se encienden intermitentemente.	Sensores de seguridad no instalados, no conectados o cable cortado. Inspeccione los cables del sensor para detectar si están desconectados o cortados.
1	2	El abre-puertas de garaje no cierra la puerta y las bombillas se encienden intermitentemente.	Hay un cable en cortocircuito o invertido para los sensores de seguridad. Inspeccione el cable del sensor de seguridad en todos los puntos de engrapado y de conexión y reemplace el cable o corrija, según sea necesario.
1	3	El control de la puerta no funciona.	Los cables tienen un cortocircuito o el control de la puerta es defectuoso. Inspeccione los cables del control de la puerta en todos los puntos de fijación y conexión.
1	4	El abre-puertas de garaje no cierra la puerta y las bombillas se encienden intermitentemente.	Los sensores de seguridad están mal alineados o estaban momentáneamente obstruidos. Vuelva a alinear ambos sensores para asegurarse de que ambos DEL estén estables y no parpadeen. Asegúrese de que no haya nada colgado ni montado en la puerta que pudiera interrumpir el recorrido de los sensores mientras se cierra la puerta.
1	5	La puerta se mueve de 15 a 20 cm (6 a 8 pulg.), se detiene o retrocede.	Abra y cierre la puerta manualmente. Verifique si hay obstrucciones, por ejemplo un resorte roto o bloqueo de la puerta, y corrija según sea necesario. Verificar las conexiones de cableado en el módulo de desplazamiento y en el tablero lógico. Reemplace el módulo de recorrido, si es necesario.
		No hay movimiento, tan solo un clic.	Abra y cierre la puerta manualmente. Verifique si hay obstrucciones, por ejemplo un resorte roto o bloqueo de la puerta, y corrija según sea necesario. Reemplace el tablero lógico, si es necesario.
		El abre-puertas hace un zumbido durante uno o dos segundos sin movimiento.	Abra y cierre la puerta manualmente. Verifique si hay obstrucciones, por ejemplo un resorte roto o bloqueo de la puerta, y corrija según sea necesario. Reemplace el motor, si es necesario.
1	6	La puerta se desliza después de haberse detenido por completo.	Programe el recorrido hasta la posición de recorrido o pídale a un técnico profesional que equilibre la puerta.
2	1-5	No hay movimiento ni sonido.	Reemplace el tablero lógico.
3	2	No se puede fijar la posición de recorrido o sujeción.	Verifique que el módulo de recorrido se haya ensamblado correctamente y reemplácelo si es necesario.
3	3	El DEL de estado de la batería parpadea constantemente en verde.	Error en el circuito de carga de reserva de la batería. Reemplace el tablero lógico.
4	1-4	La puerta se mueve, se detiene o retrocede.	Abra y cierre la puerta manualmente. Verificar si hay obstrucciones, por ejemplo un resorte roto o bloqueo de puerta, corregir según sea necesario. Si la puerta está trabada o pegada, llame a un técnico profesional en sistemas de puertas. Si la puerta no se traba o adhiere, intentar reprogramar el recorrido (consultar la página 29).

# Resolución de problemas

CÓDIGO DE DIAGNÓSTICO		SÍNTOMAS	SOLUCIÓN
La flecha hacia arriba parpadea	La flecha hacia abajo parpadea		
4	5	El abre-puertas se mueve aproximadamente de 15 a 20 cm (6 a 8 pulg.), se detiene y retrocede.	Error de comunicación con el módulo de desplazamiento. Verifique las conexiones del módulo de recorrido y reemplace el módulo si es necesario.
4	6	El abre-puertas de garaje no cierra la puerta y las bombillas se encienden intermitentemente.	Los sensores de seguridad están mal alineados o estaban momentáneamente obstruidos. Vuelva a alinear ambos sensores para asegurarse de que ambos DEL estén estables y no parpadeen. Asegúrese de que no haya nada colgado ni montado en la puerta que pudiera interrumpir el recorrido de los sensores mientras se cierra la puerta.

## El abre-puertas de garaje puede emitir una señal sonora por varios motivos:

- Está funcionando a batería o es necesario reemplazar la batería de 12 Vcc, vea la página 31.
- El abre-puertas de garaje ha sido activado a través de un dispositivo o función como el Temporizador de cierre o el monitor del abre-puertas de garaje. Consulte la página 36.

## El control remoto no activa la puerta del garaje:

- Verifique que la función de bloqueo no esté activada en el control de la puerta.
- Vuelva a programar el control remoto.
- Si aún así el control remoto no activa la puerta, revise los códigos de diagnóstico para comprobar que el abre-puertas de garaje esté funcionando correctamente.

## La puerta no cierra y la luz parpadea en la unidad del motor:

El sensor de reversa de seguridad debe estar bien conectado y alineado antes de que el abre-puertas de garaje se mueva hacia abajo.

- Verifique que los sensores de seguridad estén debidamente instalados, alineados y libres de obstrucciones.

## Las luces del abre-puertas de mi garaje no se apagan cuando la puerta está abierta:

El abre-puertas de garaje tiene una función que enciende las luces cuando los sensores de reversa de seguridad indican una obstrucción o cuando el sensor de movimiento del control de la puerta detecta movimiento en el garaje. Estas funciones pueden desactivarse con el control de la puerta. Consulte la página 35.

## Diagnóstico de fallas de Wi-Fi

El abre-puertas de garaje NO entrará en el modo de APRENDIZAJE de Wi-Fi:

- Luego de la instalación inicial del abre-puertas de garaje, este debe finalizar un ciclo completo (abierto y cerrado) antes del modo APRENDIZAJE de Wi-Fi.
- Si hubo un corte de electricidad, el abre-puertas de garaje debe finalizar un ciclo completo antes de que se pueda activar el modo APRENDIZAJE de Wi-Fi.

Consulte la página 32 para activar el modo de APRENDIZAJE de Wi-Fi.

Si el botón negro no se enciendiera de verde conéctese a [wifihelp.chamberlain.com](http://wifihelp.chamberlain.com).

## El Homelink® de mi vehículo no está programado para mi abre-puertas de garaje:

Para ciertos vehículos podría ser necesario usar Compatibility Bridge™ (no incluido). Para confirmar si es necesario usar el puente consultar el sitio [bridge.chamberlain.com](http://bridge.chamberlain.com).

## La puerta de mi garaje se abre con el control remoto de mi vecino:

Borre la memoria de su abre-puertas y vuelva a programar el control remoto.

## DEL verde de estado de batería - Todos los sistemas están normales:

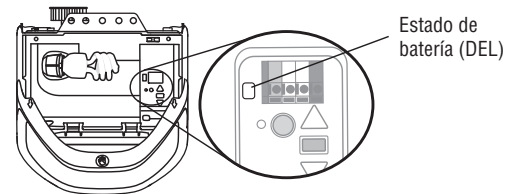
- Una luz DEL verde sólido indica que la batería está completamente cargada.
- Un DEL verde parpadeante indica que se está cargando la batería.

## DEL anaranjado de estado de batería - El abre-puertas de garaje ha perdido potencia y está en modo de reserva de batería:

- Un indicador DEL sólido con bip, que suena aproximadamente cada 2 segundos, indica que la unidad de motor está activando la puerta y está operando fuera de la batería.
- Un DEL naranja parpadeante que emite una señal sonora, cada 30 segundos, indica que la batería está baja.

## DEL rojo de estado de batería - Es necesario reemplazar la batería de 12 V del abre-puertas de garaje:

- Un DEL rojo sólido que emite una señal sonora, cada 30 segundos, indica que la batería de 12 V ya no mantendrá la carga y es necesario reemplazarla. Pida una batería de repuesto para que el abre-puerta continúe funcionando durante un corte de energía.





# Accesorios

**G8808CB** Extensión de riel de 2.4 m (8 pies):  
Para permitir que una puerta de 2.4 m (8 pies) se abra completamente.



**041A5281-1** Ménsulas de extensión: (Opcionales).  
Para la instalación del sensor de reversa de seguridad en la pared o en el piso.



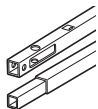
**G953EV** Control remoto:  
Compatible con TODOS los modelos Chamberlain desde 1993 hasta la fecha. Compatible con MyQ®. Incluye broche para visera.



**G956EV** Control remoto tipo llavero:  
Compatible con TODOS los modelos Chamberlain desde 1993 hasta la fecha. Compatible con MyQ®. Con llavero.



**G8810CB** Extensión del riel de 3 m (10 pies):  
Para permitir que una puerta de 3 m (10 pies) se abra completamente.



**CLLP1** Asistente laser para estacionar:  
Estacione siempre en el lugar correcto. Su abre-puertas de garaje activa un haz de laser, el cual se proyecta en el tablero de su vehículo para guiarlo en un estacionamiento perfecto.



**G940EV** Teclado inalámbrico:  
Utilizado del lado de afuera para facilitar el ingreso al garaje con un código de cuatro dígitos. Compatible con TODOS los modelos Chamberlain desde 1993 hasta la fecha. Compatible con MyQ®.



**041A6357-1** Batería de reserva del sistema de energía:  
Proporciona energía eléctrica de reserva al abre-puertas del garaje.



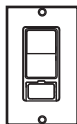
## Accesorios de MyQ®

En su cuenta MyQ® podrá programar hasta 10 accesorios MyQ®.

**PILCEV** Control remoto de iluminación MyQ®:  
Controla este interruptor de luz con la aplicación para teléfono inteligente MyQ®.



**WSLCEV** Interruptor de luz interna/externa MyQ®  
Controla este interruptor de luz con la aplicación para teléfono inteligente MyQ®.



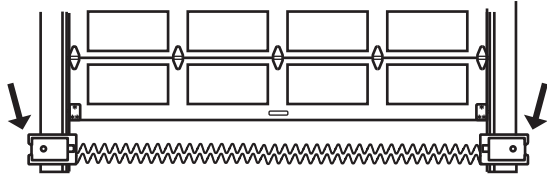
**041A7665** MyQ® Internet Gateway:  
Extiende el alcance de la señal inalámbrica de Wi-Fi. Se enchufa al router para interactuar con el control inteligente del abre-puerta y los controles de iluminación MyQ®.



# Garantía

**¡PARE!**

Este abre-puertas de garaje **NO** funcionará hasta que los sensores de reversa de seguridad estén debidamente instalados y alineados.



## Información de contacto

Para obtener información sobre instalación y servicio técnico llame al:

**1-800-528-9131**

Antes de llamar, tenga a mano el número de modelo del abre-puertas de garaje. Si llama por un problema técnico, es recomendable que tenga acceso al abre-puertas de garaje mientras llama. Si desea solicitar una pieza de repuesto, tenga a mano la siguiente información: número de pieza, nombre de la pieza y número de modelo.

## GARANTÍA LIMITADA DE CHAMBERLAIN

The Chamberlain Group, Inc.® ("Vendedor") garantiza al primer comprador minorista de este producto, para la residencia en la que se instaló originalmente este producto, que está libre de defectos de materiales y mano de obra durante un período específico según se define abajo (el "Período de garantía"). El período de garantía empieza el día de compra.

PERÍODO DE GARANTÍA				
Piezas	Motor	Accesorios	Correa	Reserva de la batería
5 años	Garantía durante la vida útil del producto	1 año	Garantía durante la vida útil del producto	1 año

La operación correcta de este producto depende de que usted cumpla con las instrucciones referentes a la instalación, a la operación, al mantenimiento y a la prueba. No seguir estrictamente esas instrucciones anulará por completo esta garantía limitada. Si, durante el período de garantía limitado, este producto parece contener un defecto cubierto por esta garantía limitada, llame al teléfono gratuito 1-800-528-9131 antes de desmontar este producto. Al llamar a este número, se le proporcionará instrucciones para desmontar y enviar el producto al centro de reparación. A continuación, envíe el producto o componente, por correo asegurado y con el porte pagado, según las indicaciones al centro de servicio para que se realicen las reparaciones cubiertas por la garantía. Por favor, incluya una descripción breve del problema y un recibo fechado como prueba de compra, en cualquier producto devuelto por concepto de reparación cubierta por la garantía. Los productos devueltos al Vendedor para la reparación cubierta por la garantía, los cuales una vez recibidos por el Vendedor, se confirme que sean defectuosos y que estén cubiertos por esta garantía limitada, serán reparados o reemplazados (a opción única del Vendedor) sin costo para usted y serán devueltos con el porte pagado. Las piezas defectuosas serán reparadas o reemplazadas a opción única del Vendedor por piezas nuevas o reconstruidas de fábrica. [Usted es responsable de los costos incurridos en el retiro y/o en la reinstalación del producto o cualquier componente].

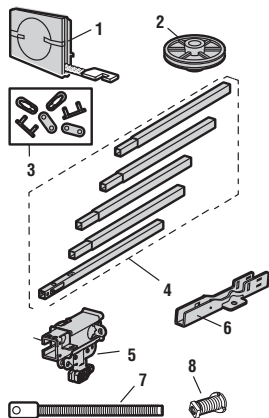
**TODAS LAS GARANTÍAS IMPLÍCITAS PARA EL PRODUCTO, INCLUYENDO, ENTRE OTRAS, CUALQUIER GARANTÍA IMPLÍCITA DE COMERCIALIZACIÓN O DE IDONEIDAD PARA UN CIERTO FIN, ESTÁN LIMITADAS EN DURACIÓN AL PERÍODO DE LA GARANTÍA LIMITADA APLICABLE ESTABLECIDO ANTERIORMENTE PARA LOS COMPONENTES RELACIONADOS, Y NO EXISTE NINGUNA GARANTÍA IMPLÍCITA NI SE APLICARÁ DESPUÉS DE DICHO PERÍODO.** Algunos estados y provincias no permiten limitaciones sobre la duración de las garantías implícitas, de tal modo que la limitación mencionada anteriormente podría no corresponder a su caso. **ESTA GARANTÍA LIMITADA NO CUBRE DAÑOS NO RELACIONADOS CON DEFECTO DEL PRODUCTO, DAÑOS CAUSADOS POR LA INSTALACIÓN, LA OPERACIÓN O EL CUIDADO INCORRECTOS (INCLUIDOS, SIN LIMITARSE A ELLO, ABUSO, USO INDEBIDO, FALTA DE MANTENIMIENTO RAZONABLE Y NECESARIO O CUALQUIER ALTERACIÓN A ESTE PRODUCTO), NI LOS CARGOS DE MANO DE OBRA POR LA REINSTALACIÓN DE UNA UNIDAD REPARADA O REEMPLAZADA, REEMPLAZO DE ARTÍCULOS DE CONSUMO (POR EJEMPLO, BATERÍAS EN TRANSMISORES DE CONTROL REMOTO Y BOMBILLAS), O UNIDADES INSTALADAS PARA USO NO RESIDENCIAL . ESTA GARANTÍA LIMITADA NO CUBRE PROBLEMAS DE LA PUERTA DEL GARAJE O DE HERRAJES DE LA PUERTA DEL GARAJE O PROBLEMAS RELACIONADOS, QUE INCLUYEN, ENTRE OTROS, RESORTES, RODILLOS, ALINEAMIENTOS O BISAGRAS DE PUERTA. ESTA GARANTÍA LIMITADA TAMPOCO CUBRE PROBLEMAS CAUSADOS POR INTERFERENCIA. EL VENDEDOR NO SERÁ RESPONSABLE, EN NINGUNA CIRCUNSTANCIA, DE DAÑOS EMERGENTES, INCIDENTALES O ESPECIALES QUE SURJAN EN RELACIÓN CON EL USO O LA INCAPACIDAD DE USAR ESTE PRODUCTO. LA RESPONSABILIDAD DEL VENDEDOR POR VIOLACIÓN DE LA GARANTÍA, POR VIOLACIÓN DEL CONTRATO, NEGLIGENCIA O RESPONSABILIDAD ESTRICTA, EN NINGÚN CASO DEBERÁ EXCEDER EL COSTO DEL PRODUCTO CUBIERTO POR LA PRESENTE. NINGUNA PERSONA ESTA AUTORIZADA A ASUMIR EN NUESTRO NOMBRE NINGUNA OTRA RESPONSABILIDAD CON LA VENTA DE ESTE PRODUCTO.**

Algunos estados no permiten la exclusión o limitación de daños emergentes, incidentales o especiales, de manera que la anterior limitación o exclusión podría no aplicarse a su caso. Esta garantía limitada le proporciona derechos legales específicos y usted también puede tener otros derechos que varían según el estado y la provincia.

# Piezas de repuesto

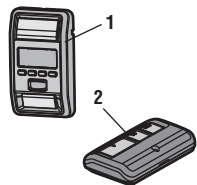
## Piezas de la unidad del motor

Descripción	Numero de Parte
1 Correa	041A5250
2 Polea	144C0054M
3 Enlace principal	004A1008
4 Riel	041A5665
5 Carro completo: (incluye: eje roscado (1), pasador chaveta (1), anillo (1))	041C5141-2
6 Ménsula en 'U'	041D0598-1
7 Eje con rosca, en forma de D	041A6689
8 Tuerca del carro con resorte	041B4103
<b>No Mostrado</b>	
Cojinetes de desgaste	041A7276
Bolsa de accesorios de instalación	041A7920-2



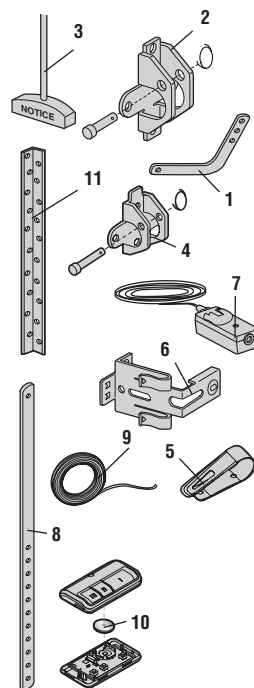
## Accesorios

Descripción	Numero de Parte
1 Smart Control Panel®	41A7305-1
2 Control remoto	953ESTD



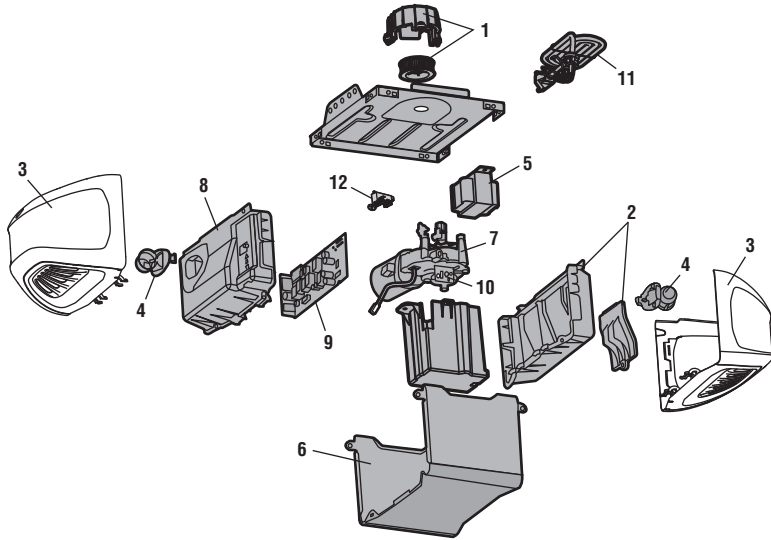
## Piezas de instalación

Descripción	Numero de Parte
1 Brazo de la puerta curvo	041B0035B
2 Ménsula de la puerta con pasador chaveta y seguro de anillo	041A5047-1
3 Manija y cuerda de apertura de emergencia	041A2828
4 Ménsula de cabezal con pasador de chaveta y seguro de anillo	041A5047-2
5 Broche de visera para control remoto	K029B1037
6 Ménsula del sensor de seguridad	041A5266-3
7 Juego de sensores de seguridad sensor de receptor y emisor con cable	041A5034
8 Brazo de puerta recto	4178B0034
9 Cable rojo/blanco	041B4494-1
10 Batería de Litio de 3V CR2032	K010A0020
11 Ménsulas de soporte	012B0776
<b>No Mostrado</b>	
Manual del propietario	114A5036SP



# Piezas de repuesto

## Abre-puertas de garaje



Descripción	Numero de Parte
1 Correa casquillo y piñón con tornillos	041C1751
2 Panel de extremo y casquillo de la luz	041D7639-1
3 Lente	041D7572
4 Receptáculo de foco	041C0279
5 Transformador	041D0277-1
6 Cubierta	041D8810
7 Motor y módulo de recorrido	041D8006-1
8 Panel de extremo para tabla de lógico de receptor y casquillo de la luz	041D8214
9 Tabla de lógico de receptor	050DCTWF
10 Módulo de recorrido	041D8071-4
11 Cordón eléctrico	041B4245-1
12 Bloque terminal	041A3150
<b>No Mostrado</b>	
Arnés conector	041D8255

© 2017, The Chamberlain Group, Inc.  
 Todos los derechos reservados  
 Wi-Fi® es una marca registrada de Wi-Fi Alliance.  
 App Store es una marca registrada de servicio de Apple Inc.  
 Google Play es una marca registrada de Google Inc.

The Chamberlain Group, Inc.  
 300 Windsor Drive  
 Oak Brook, IL 60523