

SETTING UP YOUR NEW MOWER

Honda HRX217HXA and HRX217HMA

Serial number: MAGA-1500001 ~ Forward

Before Using Your Lawn Mower

Before using the lawn mower, all mower operators must read the following sections:

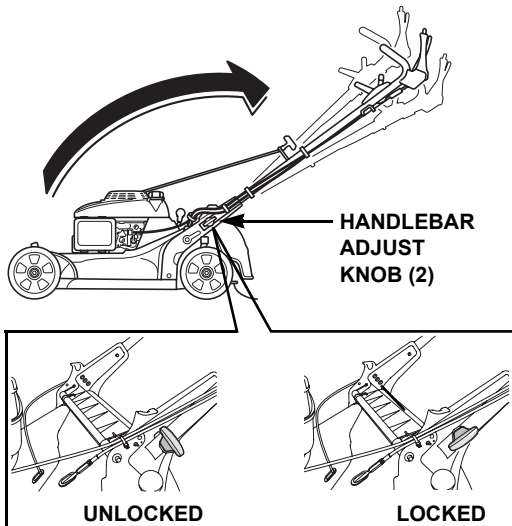
- LAWN MOWER SAFETY
- OPERATION
- CONTROL LOCATIONS
- MAINTENANCE SCHEDULE
- BEFORE OPERATION

Unpacking

Remove all the cardboard from around the handlebar.

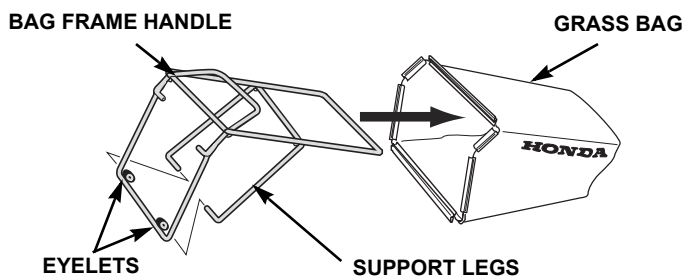
Handlebar Setup

1. With the handlebar adjust knobs in the unlocked position, raise the handlebar into the mowing position.
2. Align the adjust knobs with one of the three holes on the handle stay.
3. Turn the adjusting knobs 90 degrees into the lock position and the pins will spring into the holes and lock into position.

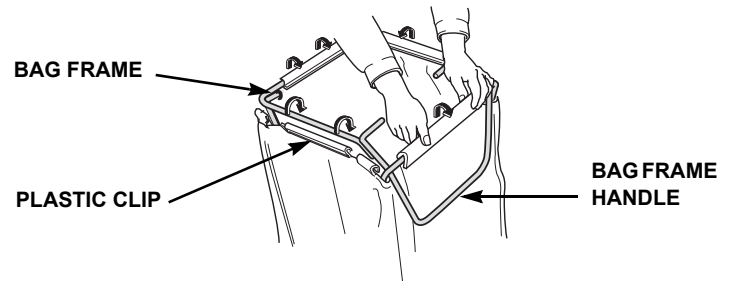


Grass Bag Assembly

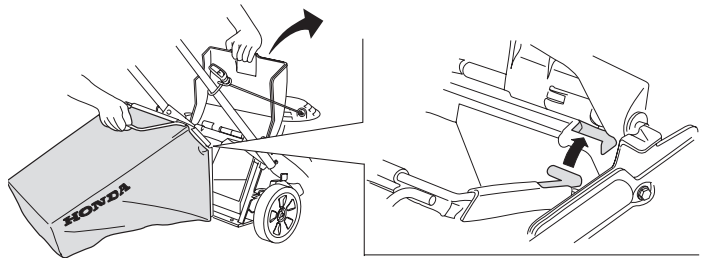
Assemble the grass bag frame by pulling the support legs outward and sliding them into the eyelets as shown. Slide the grass bag frame into the grass bag keeping the bag frame handle exposed.



Install the plastic clips over the bag frame as shown.



Lift the discharge guard and install the grass bag.



Engine Oil

The mower is shipped **WITHOUT OIL** in the engine.

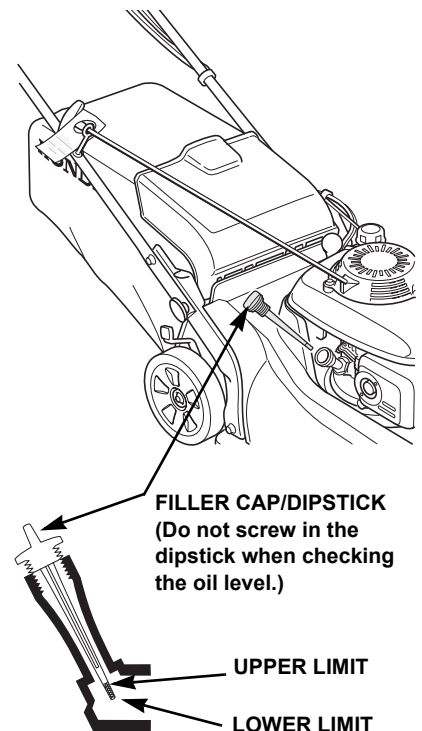
A bottle of oil is included in the box with your mower. Add the entire contents of the oil bottle into the oil filler opening.

All Honda engines are run at the factory prior to packaging. Most of the oil is removed prior to shipment; however, some oil remains in the engine. The amount of oil left in the engine varies.

If not using the supplied oil, add enough SAE 10W-30 API service category SJ or later oil to bring the oil level between the upper and lower limit marks on the dipstick as shown.

Do not overfill the engine with oil. If the engine is overfilled, the excess oil may get transferred to the air cleaner housing and air filter.

After filling the engine with oil, remove the hang tag near the recoil starter grip that says "The engine has no oil. A container of oil is in the shipping box."



CHARGING THE BATTERY (HMA type)

The lawn mower does not have an internal charging system. A plug-in charger is provided to recharge the battery. Use the plug-in charger after prolonged storage or anytime you notice a decrease in starter motor speed.

To assure maximum reliability, the battery should be charged before prolonged storage and charged again at the beginning of the mowing season. Charge the battery in a dry, well-ventilated area where the temperature is moderate.

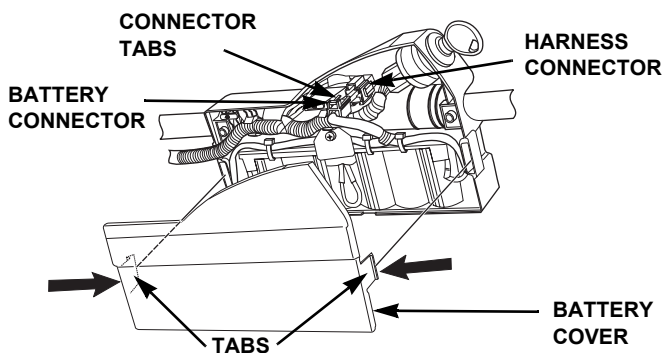
⚠ WARNING

A battery can explode if you do not follow the correct procedure, seriously injuring anyone nearby.

Keep all sparks, open flames, and smoking materials away from the battery.

WARNING: Battery posts, terminals, and related accessories contain lead and lead compounds. **Wash hands after handling.**

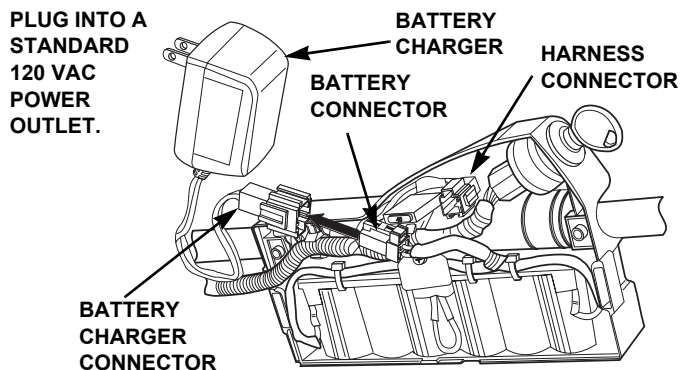
1. Remove the battery cover by depressing the tabs located on the sides and releasing the tab on top of the battery cover.
2. Disconnect the battery connector by depressing the connector tab and pulling the battery connector from the harness connector, which is located inside the battery case, above the battery.



3. Connect the battery connector to the charger supplied with the mower.

NOTICE

Do not attempt to charge the battery with any charger other than the one supplied with the mower. Use of a charger other than the one supplied may result in damage to the electrical system or fire.



4. Plug the charger into a standard 120 Vac power outlet and let the battery charge for 20 to 24 hours. The charger may become slightly warm during charging. This is normal.

NOTICE

Do not charge the battery for more than 24 hours or the battery may be damaged. Disconnect the battery charger from the battery before storing the lawn mower.

5. After the battery has charged, disconnect the charger and reconnect the battery connector to the harness connector.
6. Replace the battery cover. Do not operate without the battery cover installed.

Fuel

This engine is certified to operate on unleaded gasoline with a pump octane rating of 86 or higher.

We recommend refueling after each use to minimize the air present in the fuel tank.

Refuel in a well-ventilated area with the engine stopped. If the engine has been running, allow it to cool first. Never refuel the engine inside a building where gasoline fumes may reach flames or sparks.

Register Your Lawn Mower

If your dealer did not collect registration information from you, please take a few minutes and register your purchase with Honda. This allows us to contact you with any important updates regarding your mower. Please note registration is not required to obtain warranty service.

You can register by completing and mailing the included registration card, or go online to www.hondapowerequipment.com and click on Product Registration.