
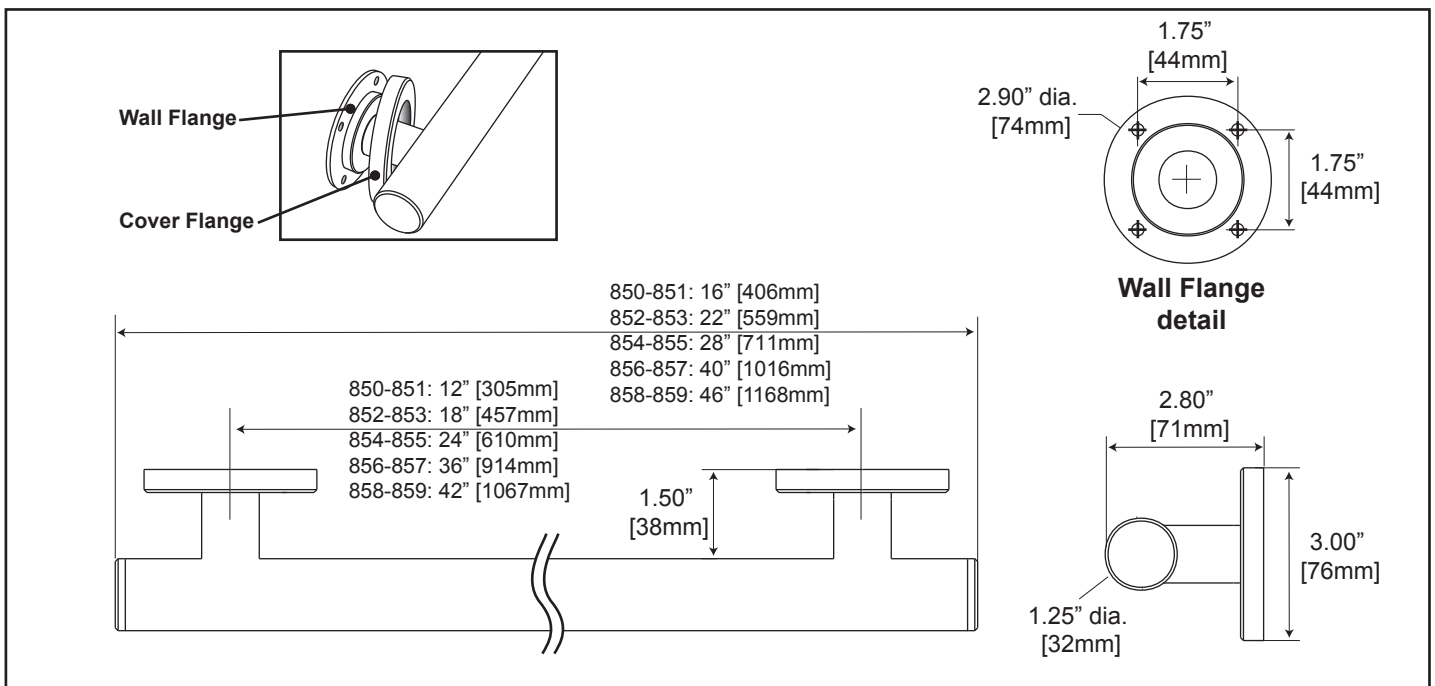




CHROME	SATIN NICKEL
#850 12" Grab Bar	#851 12" Grab Bar
#852 18" Grab Bar	#853 18" Grab Bar
#854 24" Grab Bar	#855 24" Grab Bar
#856 36" Grab Bar	#857 36" Grab Bar
#858 42" Grab Bar	#859 42" Grab Bar

 Grab bar shall comply with barrier-free accessibility guidelines (including ADAAG in the U.S.A.) for structural strength.



MATERIALS

Tubing is of .049 (18 gauge) type 304 stainless steel with chrome finish. Wall flanges are of .075 (14 gauge) type 304 stainless steel. Snap lock cover flanges are of .035 (20 gauge) stainless steel with chrome finish. Wall flanges are heliarc welded to tubing.

INSTALLATION INSTRUCTIONS

Install grab bar with 4 - #10 x 2" panhead stainless steel screws provided for each end wall flange. Slide cover flanges over wall flanges and press firmly to complete installation.

Wood blocking is preferable behind all wall surfaces. If wood blocking is not available, the following optional fasteners are suggested:

- Tile/Masonry – Plastic or lead anchors
- Plaster/Drywall – Toggle bolts