



Item #947 265

#1000 654 548

#1000 654 549

Model #F2S20VWD

#F2S20VWDVP1.CA

#F2S26VWDVP1.CA

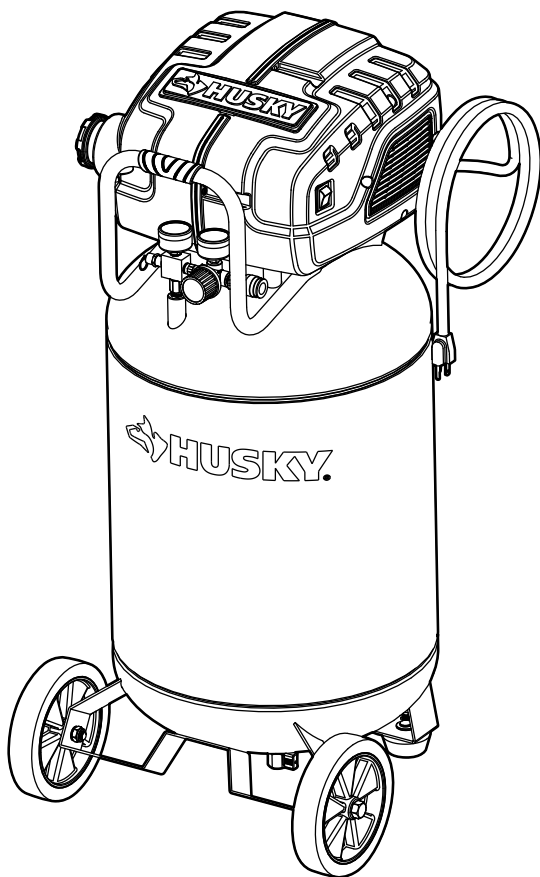
# USE AND CARE GUIDE

## 20/26-GALLON PORTABLE AIR COMPRESSOR

Questions, problems, missing parts?  
Before returning to the store, call  
Husky Customer Service  
8 a.m. - 6 p.m., EST, Monday - Friday

1-888-43-HUSKY

HUSKYTOOLS.COM



Intertek  
3062705

### THANK YOU

*We appreciate the trust and confidence you have placed in Husky through the purchase of this air compressor. We strive to continually create quality products designed to enhance your home. Visit us online to see our full line of products available for your home improvement needs. Thank you for choosing Husky!*

# Table of Contents

<b>Safety Information</b> .....	2	Placement of the Air Compressor	10
Work Area Safety .....	2	Attaching the Hose .....	11
Personal Safety .....	3	Tool Usage.....	12
Moving the Compressor .....	3	<b>Assembly</b> .....	13
Air Compressor and		<b>Operation</b> .....	14
Pneumatic Tool Safety .....	4	<b>Maintenance</b> .....	18
Electrical Safety .....	5	General Maintenance.....	18
<b>Warranty</b> .....	7	Lubrication .....	18
<b>Pre-Operation</b> .....	8	Cleaning the Air Filter .....	18
Specifications .....	8	<b>Care and Cleaning</b> .....	18
Duty Cycle .....	8	<b>Troubleshooting</b> .....	19
Package Contents .....	8	<b>Service Parts</b> .....	21
System Components.....	9		

## Safety Information

This manual contains information that is important for you to know and understand. This information relates to protecting your safety and preventing equipment problems. To help you recognize this information, we use the symbols below. Please read the manual and pay attention to these symbols.



**DANGER:** Indicates an imminently hazardous situation which, if not avoided, will result in death or serious injury.



**WARNING:** Indicates a potentially hazardous situation which, if not avoided, could result in death or serious injury.



**CAUTION:** Indicates a potentially hazardous situation which, if not avoided, may result in minor or moderate injury.



**NOTICE:** Indicates a practice not related to personal injury which, if not avoided, may result in property damage.

## WORK AREA SAFETY

- Keep your work area clean and well lit. Ensure floors are not slippery from wax or dust.
- Operate the air compressor in an open area at least 18 in. (0.5 m) away from any wall or object that could restrict the flow of fresh air to ventilation openings.



**WARNING:** Do not operate power tools in explosive atmospheres, such as in the presence of flammable liquids, gases, or dust. Power tools create sparks which may ignite the dust or fumes. Keep bystanders, children, and visitors away while operating tools. Distractions can cause you to lose control.



**WARNING:** This compressor is not equipped for, and should not be used to supply breathing air. Additional equipment would be necessary to properly filter and purify the air to meet minimal specifications for Grade D breathing as described in Compressed Gas Association Commodity, Specification G 7.1 - 1966, OSHA 29 CF9 1910.134. Compressed Gas Association, 4221 Walney Road, Fifth Floor, Chantilly, VA 20151-2923, (703) 788-2700, [www.cganet.com](http://www.cganet.com). Any such additional equipment has not been examined and no implication of proper use for breathing air is intended or implied.



**CAUTION:** Always disconnect the air supply and power supply before making adjustments, servicing a tool, or when a tool is not in use.

# Safety Information (continued)

## PERSONAL SAFETY

- Keep proper footing and balance at all times. Proper footing and balance enables better control of the tool in unexpected situations
- Do not use on a ladder or unstable support.



**WARNING:** Operating any power tool can result in foreign objects being thrown into your eyes, which can result in severe eye damage. Before beginning operation, always wear safety goggles, safety glasses with side shields, or a full face shield when needed. Always use eye protection marked to comply with ANSI Z87.1.



**WARNING:** This product contains chemicals known to the State of California to cause cancer and birth defects or other reproductive harm. Wash hands after handling.



**WARNING:** Use safety equipment. Always wear eye protection with side shields when operating power tools. A dusk mask, non-skid safety shoes, hard hat, or hearing protection must be used for appropriate conditions.



**WARNING:** Stay alert when operating a power tool. Do not use the tool while tired or under the influence of drugs, alcohol, or medication.



**WARNING:** Do not wear loose clothing or jewelry. Contain long hair. Keep your hair, clothing, and gloves away from moving parts. Loose clothes, jewelry, or long hair can be caught in moving parts.



**WARNING:** Never touch any exposed metal parts on compressor during or immediately after operation. The compressor will remain hot for several minutes after operation. Do not reach around protective shrouds or attempt maintenance until the unit has been allowed to cool.



**CAUTION:** The compressor is too heavy to be lifted by one person. Obtain assistance from others before lifting.

## MOVING THE AIR COMPRESSOR

- Grasp the handle of the compressor and tilt the compressor back to rest on the wheels.
- When the location is reached, slowly lower the compressor to the ground. Always store the compressor in a vertical position resting on the rubber bumpers and wheels.
- When transporting the compressor in a vehicle, trailer, etc., make sure the tank is drained and the unit is secured with straps to prevent tipping. Use care when driving to prevent tipping the unit over in the vehicle. Damage can occur to the compressor or surrounding items if the compressor is tipped. Always use two people when lifting and lift from the recommended lifting points. Do not lift by the wheels or shroud.



**WARNING:** Risk of unsafe operation. Ensure proper footing and use caution when rolling the compressor so that the unit does not tip or cause loss of balance.



**CAUTION:** The wheels and handle do not provide adequate clearance, stability, or support for pulling the unit up and down stairs or steps. The unit must be lifted or pushed up a ramp.

# Safety Information (continued)

## AIR COMPRESSOR AND PNEUMATIC TOOL SAFETY

- Keep compressors as far from the spraying area as possible: at least 15 ft. (0.4 m) from the spraying area and all explosive vapors.
- If connected to a circuit protected by fuses, use time-delay fuses with this product.
- Ensure the hose is free of obstructions or snags. Entangled or snarled hoses can cause loss of balance or footing, and may become damaged.
- Use the air compressor only for its intended use. Do not alter or modify the unit from the original design or function. Never weld or drill holes in the air tank.
- Never leave a tool unattended with the air hose attached.
- Do not operate this tool if it does not contain a legible warning label.
- Do not continue to use a tool or hose that leaks air or does not function properly.
- Do not attempt to pull or carry the air compressor by the hose.
- Your tool may require more air consumption than this air compressor is capable of providing.
- Never direct a jet of compressed air toward people or animals.
- Protect your lungs. Wear a face or dust mask if the operation is dusty.
- Do not use this air compressor to spray chemicals. Your lungs can be damaged by inhaling toxic fumes. A respirator may be necessary in dusty environments or when spraying paint.
- This compressor is equipped with a thermal overload protector which will shut off the motor if it becomes overheated.



**WARNING:** Do not attempt to modify this tool or create accessories not recommended for use with this tool. Any such alteration or modification is misuse and could result in a hazardous condition leading to possible serious personal injury.



**CAUTION:** Do not use the compressor in an environment that is dusty or otherwise contaminated. Using the air compressor in this type of environment may cause damage to the unit.



**CAUTION:** Risk of bursting. Do not adjust the regulator to result in output pressure greater than the marked maximum pressure of the attachment. Do not use at pressure greater than the rated maximum pressure of this compressor.



**CAUTION:** To reduce the risk of electric shock, do not expose the compressor to rain. Store indoors.

# Safety Information (continued)

## ELECTRICAL SAFETY (EXTENSION CORDS)

- Use only 3-wire extension cords that have 3-prong grounding plugs and 3-pole receptacles that accept the product's plug. When using a power tool at a considerable distance from the power source, use an extension cord heavy enough to carry the current that the product will draw. An undersized extension cord will cause a drop in line voltage, resulting in a loss of power and causing the motor to overheat.
- Use the chart provided below to determine the minimum wire size required in an extension cord. Only round jacketed cords listed by Underwriter's Laboratories (UL) should be used.
- Only use 50 feet or less, round jacketed cords listed by Underwriter's Laboratories (UL).
- When operating a power tool outside, use an outdoor extension cord marked "W-A" or "W". These cords are rated for outdoor use and reduce the risk of electric shock.

Ampere rating (on air compressor data plate)	
	14-16
Cord Length	Wire Size (AWG)
25 ft.	16
50 ft.	12
Used on 12 gauge - 20 amp circuit.	
NOTE: AWG=American Wire Gauge	



**WARNING:** When using an extension cord, keep it clear of the working area. Position the cord so that it will not get caught on lumber, tools, or other obstructions while you are working with a power tool. Failure to do so can result in serious personal injury.



**WARNING:** Check extension cords before each use. If damaged, replace immediately. Never use the air compressor with a damaged cord since touching the damaged area could cause electrical shock resulting in serious personal injury.



**WARNING:** Improperly connecting the equipment-grounding conductor can result in a risk of electrical shock.



**CAUTION:** Avoid body contact with grounded surfaces such as pipes, radiators, ranges, and refrigerators. There is an increased risk of electric shock if your body is grounded.



**CAUTION:** Do not expose power tools to rain or wet conditions. Water entering a power tool will increase the risk of electric shock.



**CAUTION:** Replace damaged cords/wiring immediately. Damaged cords/wiring increase the risk of electric shock.

**NOTICE:** Use longer air hoses instead of long extension cords. Your air compressor will run better and last longer.

## ELECTRICAL SAFETY (ELECTRICAL CONNECTION)

- This air compressor is powered by a precision built electric motor. It should be connected to a power supply that is 120 volts, 60 Hz, AC only (normal household current).
- Do not operate this tool on direct current (DC). A substantial voltage drop will cause a loss of power and the motor will overheat. If the air compressor does not operate when plugged into an outlet, double check the power supply.

# Safety Information (continued)

## ELECTRICAL SAFETY (SPEED AND WIRING)

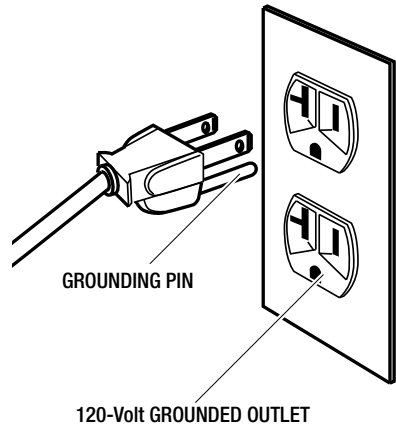
- The no-load speed of this product is approximately 1,700 rpm. This speed is not constant and decreases under a load or with lower voltage.
- For voltage, the wiring in a shop is as important as the motor's horsepower rating. A line intended only for lights cannot properly carry a power tool motor. Wire that is heavy enough for a short distance will be too light for a greater distance. A line that can support one power tool may not be able to support two or three products.

## ELECTRICAL SAFETY (GROUNDING INSTRUCTIONS)

- This product must be grounded. In the event of an electrical short circuit, grounding reduces the risk of electric shock by providing an escape wire for the electric current. This product is equipped with a cord having a grounding wire with an appropriate grounding plug. The plug must be plugged into an outlet that is properly installed and grounded in accordance with all local codes and ordinances.



**WARNING:** Improper installation of the grounding plug may result in a risk of electric shock. When repair or replacement of the cord or plug is required, do not connect the grounding wire to either flat blade terminal. The wire with insulation having an outer surface that is green with or without yellow stripes is the grounding wire.



- Check with a qualified electrician or service personnel if these instructions are not completely understood or if in doubt as to whether the tool is properly grounded.
- Do not modify the plug provided; if it will not fit the outlet, have the proper outlet installed by a qualified electrician.
- This product is for use on a nominal 120-Volt circuit and has a grounding plug similar to the plug shown. Only connect the product to an outlet having the same configuration as the plug. Do not use an adapter with this product.

## LIMITED WARRANTY

### WHAT IS COVERED

The manufacturer warrants to the original retail purchaser that this product is free from defect in material and workmanship and agrees to repair or replace, at the manufacturer's discretion, any defective product free of charge within these time periods from the date of purchase.

This warranty is valid for two (2) years if the product is used for personal, family, or household use, and ninety (90) days if used for any other purpose, such as commercial or rental use.

This warranty extends to the original retail purchaser only and commences on the date of the original retail purchase.

Any part of the product manufactured or supplied by the manufacturer and found in the reasonable judgment of the manufacturer to be defective in material or workmanship will be repaired or replaced by an authorized service dealer without charge for parts and labor.

The product, including any defective part, must be returned to an authorized service dealer within the warranty period. The expense of delivering the manufacturer's product to the dealer for warranty work and the expense of returning it back to the owner after repair or replacement will be paid by the owner. The manufacturer's responsibility in respect to claims is limited to making the required repairs or replacements and no claim of breach of warranty shall be cause for cancellation or rescission of the contract of sale of any of the manufacturer's product. Proof of purchase will be required by the dealer to substantiate any warranty claim. All warranty work must be performed by an authorized service dealer.

### WHAT IS NOT COVERED

This warranty does not cover any of the manufacturer's product that has been subject to misuse, neglect, negligence, accident, or that has been operated in any way contrary to the operating instructions as specified in this manual. This warranty does not apply to any damage to the manufacturer's product that is the result of improper maintenance or to any manufacturer's product that has been altered or modified. The warranty does not extend to repairs made necessary by normal wear or by the use of parts or accessories which are either incompatible with the manufacturer's product or adversely affect its operation, performance, or durability.

The manufacturer reserves the right to change or improve the design of any product without assuming any obligation to modify any product previously manufactured. All implied warranties are limited in duration to the stated warranty period. Accordingly, any such implied warranties including merchantability, fitness for a particular purpose, or otherwise, are disclaimed in their entirety after the expiration of the appropriate two-year or ninety day warranty period. The manufacturer's obligation under this warranty is strictly and exclusively limited to the repair or replacement of defective parts and the manufacturer does not assume or authorize anyone to assume for it any other obligation. Some states do not allow limitations on how long an implied warranty lasts, so the above limitation may not apply to you. The manufacturer assumes no responsibility for incidental, consequential, or other damages including, but not limited to, expense of returning the manufacturer's product to an authorized service dealer and expense of delivering it back to the owner, mechanic's travel time, telephone or telegram charges, rental of a like product during the time warranty service is being performed, travel, loss or damage to personal property, loss of revenue, loss of use of the product, loss of time, or inconvenience. Some states do not allow the exclusion or limitation of incidental or consequential damages, so the above limitation or exclusion may not apply to you.

This warranty gives you specific legal rights, and you may also have other rights which vary from state to state.

Contact the Customer Service Team at 1-888-43-HUSKY or visit [www.huskytools.com](http://www.huskytools.com).

# Pre-Operation

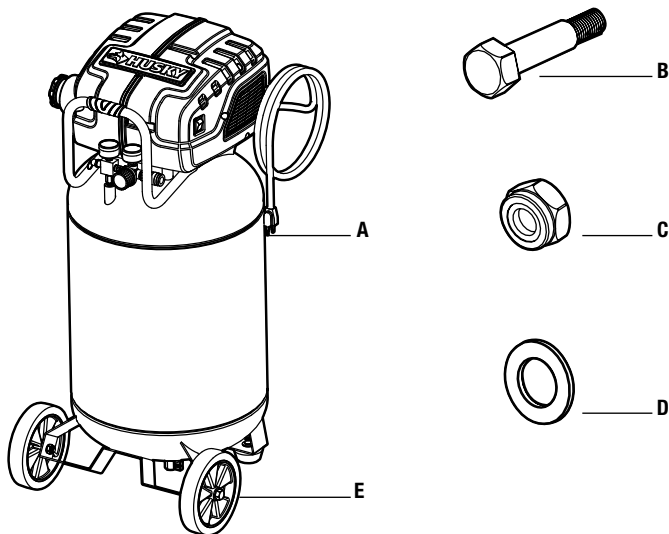
## SPECIFICATIONS

Running horsepower	1.5 HP
Air tank capacity	20/26 gal.
Air pressure	150 PSI max.
Air delivery	5.0 SCFM at 40 PSI 4.0 SCFM at 90 PSI
Tank Fill Time	7 minutes (20 gallon) 8 minutes (26 gallon)
Lubrication	Oil free
Input	120V, 60 Hz, Single phase AC only, 15 Amps.
Minimum branch circuit requirement	15A
Fuse type	Time delay
Net weight	93/101 lbs.

## DUTY CYCLE

This air compressor pump is capable of running continuously. However, to prolong the life of your air compressor, it is recommended that a 50% average duty cycle be maintained; that is, the air compressor pump should not run more than 30 minutes in any given hour.

## PACKAGE CONTENTS

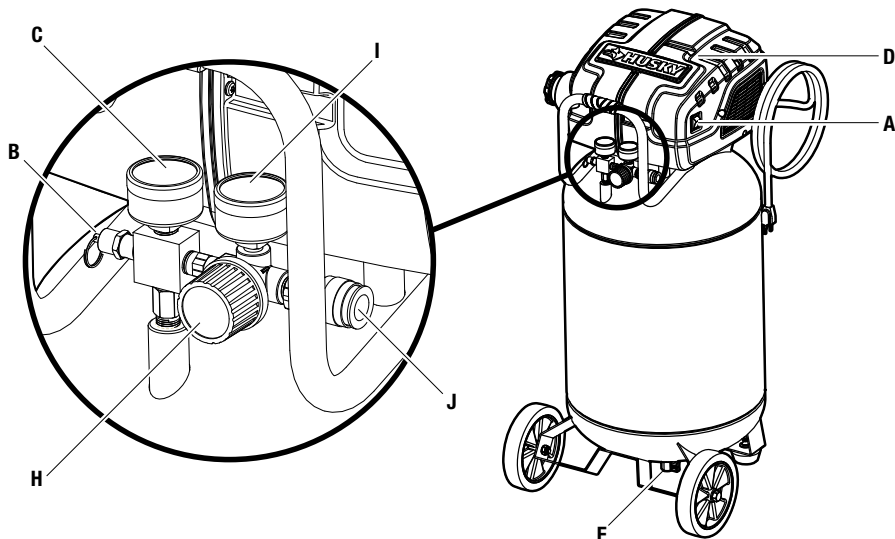


Part	Description	Quantity
A	Air Compressor Unit	1
B	Shoulder Bolt	2
C	Nylon Insert Nut	2
D	Washer	2
E	Wheel	2



# Pre-Operation (continued)

## SYSTEM COMPONENTS



Part	Description
A	<b>ON (1)/OFF (0) Switch:</b> Turn this switch in the “ON (1)” position to provide automatic power to the pressure switch and “OFF” to remove power at the end of each use.
B	<b>Safety Valve:</b> If the pressure switch does not shut off the air compressor at its “cut-out” pressure setting, the safety valve will protect against high pressure by “popping out” at its factory set pressure (slightly higher than the pressure switch “cut-out” setting).
C	<b>Tank Pressure Gauge:</b> The tank pressure gauge indicates the reserve air pressure in the tank.
D	<b>Air Compressor Pump:</b> Compresses air into the air tank. Working air is not available until the compressor has raised the air tank pressure above that required at the air outlet.
E	<b>Drain Valve:</b> The drain valve is located at the base of the air tank and is used to drain condensation at the end of each use.
F	<b>Check Valve (not shown):</b> When the air compressor is operating, the check valve is “open”, allowing compressed air to enter the air tank. When the air compressor reaches “cut-out” pressure, the check valve “closes”, allowing air pressure to remain inside the air tank.
G	<b>Thermal Overload Reset: (not shown)</b> This motor has a manual thermal overload protector. If the motor overheats for any reason, the overload protector will shut off the motor. The motor must be allowed to cool down before restarting. To restart: <ol style="list-style-type: none"> <li>1. Place the ON/OFF switch in the “OFF” (0) position.</li> <li>2. Allow the motor to cool.</li> <li>3. Place the ON/OFF switch in the “ON” (1) position to restart the motor.</li> </ol>
H	<b>Regulator:</b> Valve used to ensure that the tank pressure never reaches unsafe levels. It also allows the user to adjust the pressure coming out of the tank to match what is needed for the task.
I	<b>Pressure Regulator Gauge:</b> The gauge that indicates the amount of pressure that the regulator is providing to the tool.
J	<b>Quick Connect:</b> Fitting that is designed to accept a hose that allows pressure to be released for tool usage.

## Pre-Operation (continued)

### PLACEMENT OF THE AIR COMPRESSOR



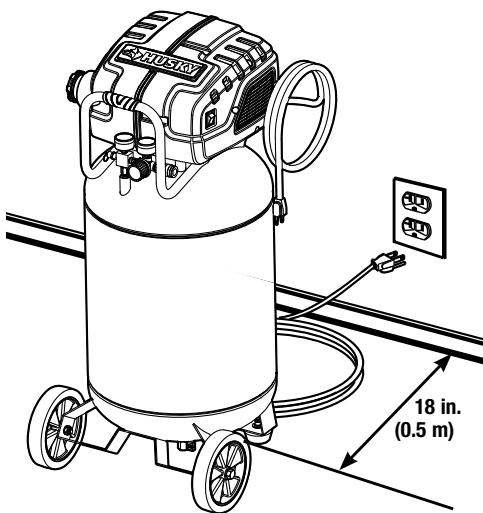
**WARNING:** If any parts are damaged or missing do not operate this product until the parts are replaced. Failure to heed this warning could result in serious personal injury.



**CAUTION:** Do not use in an environment that is dusty or otherwise contaminated. Using the air compressor in this type of environment may cause damage to the unit.

**NOTICE:** Long lengths of electrical wiring could cause power loss to the motor.

- Place the air compressor in a clean, dry, and well ventilated area.
- The air compressor must be positioned at least 18 in. (0.5 m) away from the wall or other obstructions that will interfere with the flow of air.
- Locate the air compressor as close to the main power supply as possible to avoid using long lengths of electrical wiring.
- The air filter must be kept clear of obstructions which could reduce the air flow to the air compressor.



# Pre-Operation (continued)

## ATTACHING THE HOSE



**WARNING:** Do not attempt to modify this product or create accessories not recommended for use with this product. Any such alteration or modification is misuse and could result in a hazardous condition leading to possible serious personal injury.



**WARNING:** Do not attach the air chuck or other tool, to the open end of the hose until start-up has been completed.



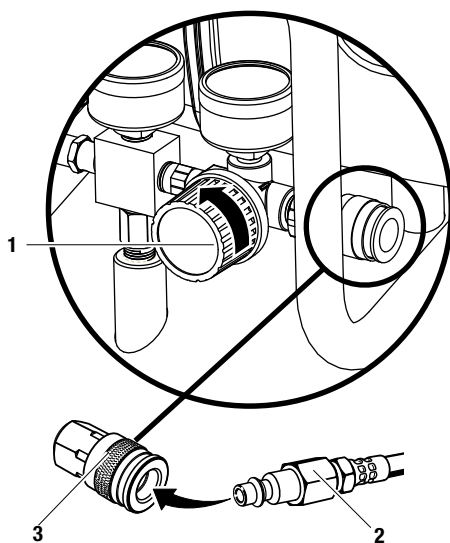
**WARNING:** Do not allow familiarity with products to make you careless. Remember that a careless fraction of a second is sufficient to inflict serious injury.



**WARNING:** Always wear safety goggles or safety glasses with side shields when operating power tools. Failure to do so could result in objects being thrown into your eyes resulting in possible serious injury.

The compressor is assembled at the factory and ready for use. Check all components to ensure secure assembly. (such as: rubber feet, wheels, handle, quick connects, gages, safety valve, air filter, drain valve, etc.)





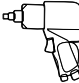
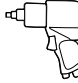

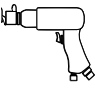

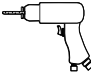





- Make sure the power to the air compressor is disconnected.
- Apply thread tape to the threaded connections of the hose (not included), and attach the quick coupler to the hose using a wrench (not included).
- Apply thread tape to the threaded connections of the male plug, and attach the male plug to the hose using a wrench.
- Rotate the pressure regulator knob (1) fully counterclockwise.
- Insert the hose adapter end of the air hose (2) into the female coupler end in the air compressor (3).



# Pre-Operation (continued)

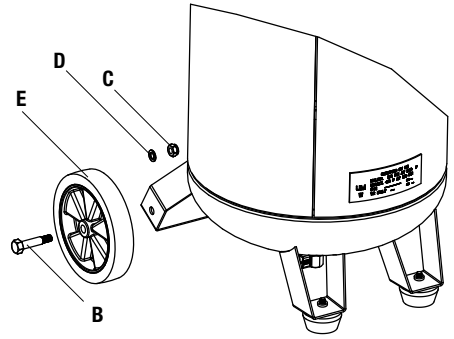
## TOOL USAGE

= Continuous     
  = Intermittent     
  = Not Recommended

Tool	Inflation	Finishing nailing		Framing/ Roofing	Bolting			
								
Recommended Tool Use	<input type="radio"/>	<input type="radio"/>	<input type="radio"/>	<input type="radio"/>	<input type="radio"/>	<input type="radio"/>	<input type="radio"/>	
Tool	Cutting/Drilling			Surface Prep		Painting	HVLP Painting	Grease Gun
								
Recommended Tool Usage	<input type="radio"/>	<input type="radio"/>	<input type="radio"/>	<input type="radio"/>	<input type="radio"/>	<input type="radio"/>	<input type="radio"/>	<input type="radio"/>

## 1 Assembly

- Install one shoulder bolt (B), one washer (D), and one nut (C) for each wheel (E) using the bolt holes provided in the wheel bracket. The shoulder bolt will install from the outside of the wheel through the hole in the wheel bracket. Tighten securely with the washer and nut positioned on the inside of the wheel bracket.



## 1 Preparing for start-up



**WARNING:** Risk of unsafe operation. Firmly grasp air hose in hand when installing or disconnecting to prevent hose whip.



**WARNING:** Risk of unsafe operation. Do not use damaged or worn accessories.



**WARNING:** Risk of bursting. Too much air pressure causes a hazardous risk of bursting. Check the manufacturer's maximum pressure rating for air tools and accessories. The regulator outlet pressure must never exceed the maximum pressure rating.

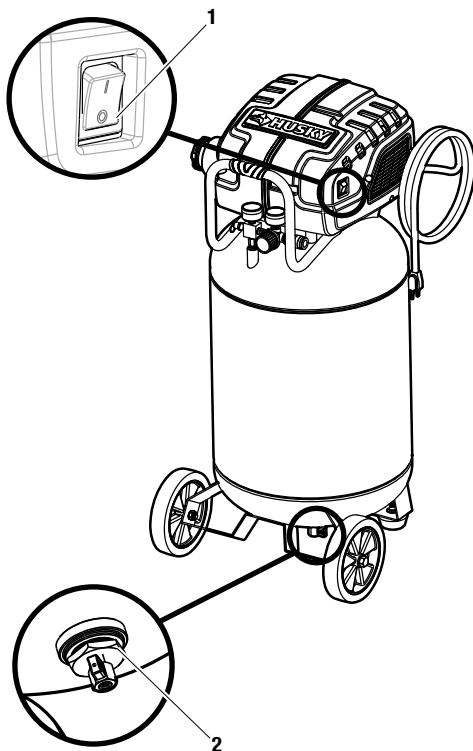


**CAUTION:** Risk of unsafe operation. Compressed air from the unit may contain water condensation and oil mist. Do not spray unfiltered air at an item that could be damaged by moisture. Some air tools and accessories may require filtered air. Read the instructions for the air tools and accessories.



**NOTE:** A regulator **MUST** be installed when using accessories rated at less than 150 psi. The hose or accessory will require a quick connect plug if the air outlet is equipped with a quick connect socket.

- Place the ON (1) / OFF (0) switch (1) to the off position.
- Close the drain valve (2).
- Visually inspect air lines and fittings for leaks.



### 2 Starting the compressor

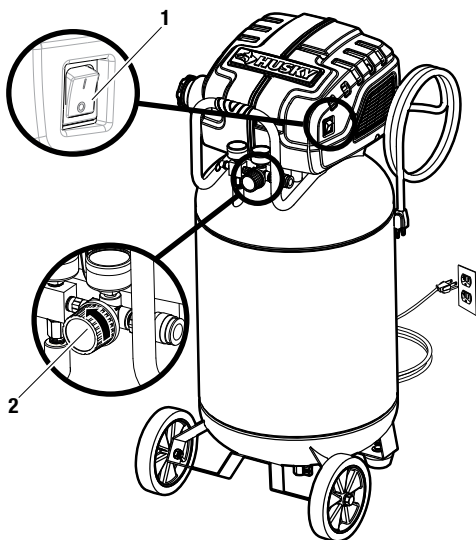


**WARNING:** Risk of bursting. If any unusual noise or vibration is noticed, stop the air compressor immediately and have it checked by a trained service technician.



**NOTE:** When using the regulator and other accessories, refer to the manufacturer's instructions.

- Plug the power cord into a proper receptacle.
- Turn the ON ( I ) / OFF ( O ) switch (1) to the on position, and allow the tank pressure to build. The motor will stop when the tank pressure reaches "cut-out" pressure.
- Adjust the regulator (2) to a PSI setting that is needed for your application - be sure it is within the safety standards required to perform the task.



### 3 Checking the safety valve

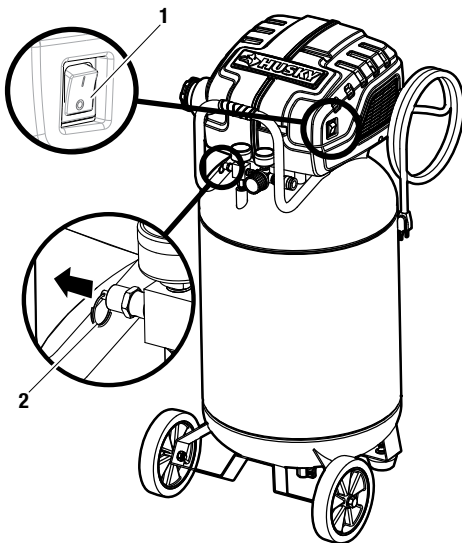


**DANGER:** Do not tamper with the safety valve. Items loosened from this device could fly up and hit you. Failure to heed this warning could result in death or serious personal injury. The safety valve automatically releases air when the receiver pressure exceeds the preset maximum. Check the valve before each day of use by pulling the ring by hand.



**WARNING:** If air leaks after releasing the safety valve ring or if the valve is stuck, do not use the air compressor until the safety valve has been replaced. Using the air compressor in this condition could result in serious personal injury.

- Set the ON ( I ) / OFF ( O ) switch (1) to the on position, and wait for the tank to fill. The compressor automatically shuts off when the pressure reaches the preset maximum.
- Set the ON ( I ) / OFF ( O ) switch (1) to the off position.
- Pull the ring on the safety valve (2) for 20 seconds to release the air.
- Release the ring. Air stops escaping at about 20 psi. If air continues to escape after releasing the safety valve ring, discontinue use and seek service before using the air compressor again.



### 4 Running the air compressor



**WARNING:** Always ensure the switch is in the OFF position and regulator pressure gauge reads zero before changing air tools or disconnecting the hose from the air outlet. Failure to do so could result in possible serious personal injury.

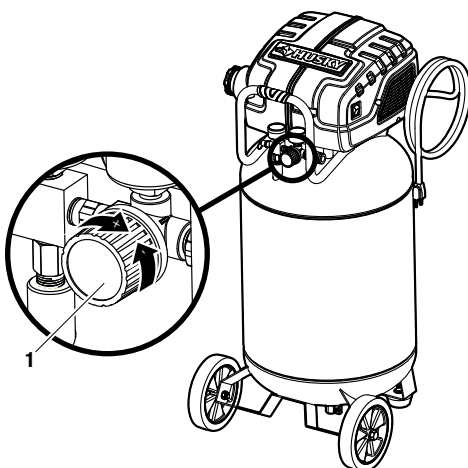


**WARNING:** Your tool may require more air consumption than this air compressor is capable of providing. Check tool manual to avoid damage to the tool or risk personal injury..



**NOTE:** Always use the minimum amount of air flow with the pressure regulator knob. Using a higher pressure than needed will drain air from the tank more rapidly and cause the unit to cycle on more frequently.

- Rotate the pressure regulator knob (1) to the desired line pressure. Turning the knob clockwise (+) increases air pressure at the outlet; turning counterclockwise (-) reduces air pressure at the outlet.
- If using an inflation accessory, control the amount of air flow with the pressure regulator knob (1). Turning the knob fully counterclockwise will completely stop the flow of air.
- When finished, always drain the tank and unplug the unit. Never leave the unit plugged in and/or running unattended.





# 5 Draining the tank



**WARNING:** Risk of unsafe operation. Air tanks contain high pressure air. Keep face and other body parts away from outlet of drain. Use eye protection [ANSI Z87.1 (CAN/CSA Z94.3)] when draining, as debris can be kicked up into face.



**WARNING:** Risk from noise. Use ear protection (ANSI S12.6 (S3.19), as air flow noise is loud when draining.



**WARNING:** Risk of bursting. Water will condense in the air tank. If not drained, water will corrode and weaken the air tank causing a risk of air tank rupture.



**NOTE:** All compressed air systems generate condensate that accumulates in any drain point (e.g., tanks, filter, after-coolers, dryers). This condensate contains lubricating oil and/or substances which may be regulated and must be disposed of in accordance with local, state, and federal laws and regulations.

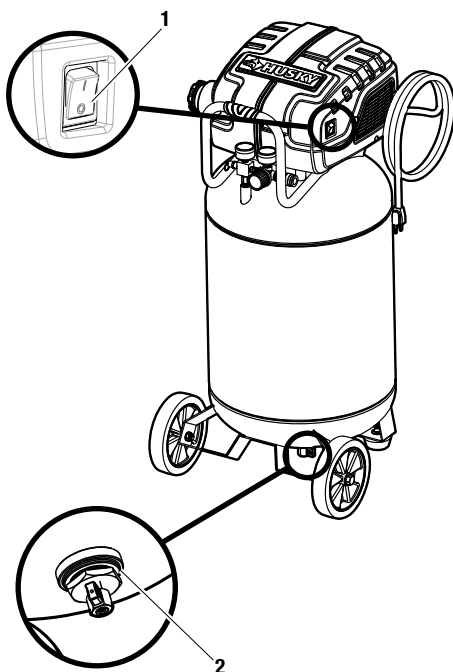


**NOTE:** If drain valve is plugged, release all air pressure. The valve can then be removed, cleaned, then reinstalled.



**NOTE:** Risk of property damage. Drained water from air tank may contain oil and rust which can cause stains.

- Set the ON (1) / OFF (0) switch (1) to the off position.
- Slowly bleed the air from the compressor tank by pulling the safety valve to allow the pressure to escape from the tank until the pressure is approximately 20 psi.
- Drain water from the tank by opening the drain valve (2) on the bottom of the tank.
- After the water has been drained, close the drain valve (2). The air compressor can now be stored.



# Maintenance

## GENERAL MAINTENANCE

- Condensate forms in the tank when there is humidity in the air. Depending on the environmental conditions, drain the condensate daily and/or every hour. For instructions, see *Draining the tank* on page 17.
- The safety valve automatically releases air when the receiver pressure exceeds the preset maximum.
- Inspect the tank annually for rust, pin holes, or other imperfections that could cause it to become unsafe.
- Avoid using solvents when cleaning plastic parts. Most plastics are susceptible to damage from various types of commercial solvents and may be damaged by their use.
- Use clean cloths to remove dirt, dust, oil, grease, etc.



**WARNING:** When servicing, use only identical Husky replacement parts. Use of any other parts may create a hazard or cause product damage.



**WARNING:** Always release all pressure, disconnect from power supply, and allow unit to cool to the touch before cleaning or making repairs on the air compressor.



**WARNING:** Do not at any time let brake fluids, gasoline, petroleum-based products, penetrating oils, etc., come in contact with plastic parts. Chemicals can damage, weaken or destroy plastic which may result in serious personal injury. Electric tools used on fiberglass material, wallboard, spackling compounds, or plaster are subject to accelerated wear and possible premature failure because the fiberglass chips and grindings are highly abrasive to bearings, brushes, commutators, etc. Consequently, we do not recommend using this tool for extended work on these types of materials. However, if you do work with any of these materials, it is extremely important to clean the tool using compressed air.

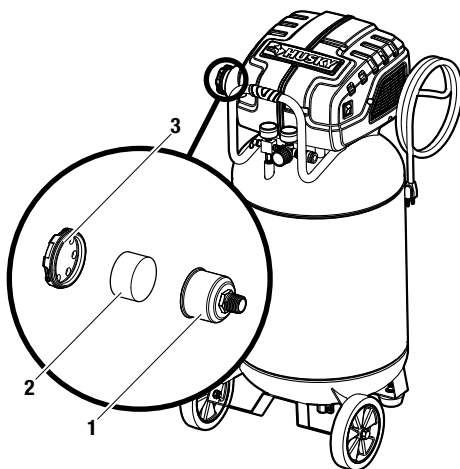
## LUBRICATION

All of the bearings in this tool are lubricated with a sufficient amount of high grade lubricant for the life of the unit under normal operating conditions. Therefore, no further lubrication of the bearings is required.

## CLEANING THE AIR FILTER

From time to time, the air filter needs to be removed and cleaned.

- Turn the air compressor to the OFF position (0).
- Unplug the air compressor.
- Unsnap the air filter cover (3) to remove.
- Remove the air filter (2) from the air filter housing (1).
- Blow compressed air through the air filter for 10-15 seconds.



## Care and Cleaning

- Drain the air tank of moisture after operation.
- When not in use, store the compressor in a cool, dry place.
- Disconnect the air hose and hang open ends down to allow any moisture to drain.
- Protect the electrical cord and air hose from damage (such as being stepped on or run over). Wind them loosely around the compressor handle.

# Troubleshooting

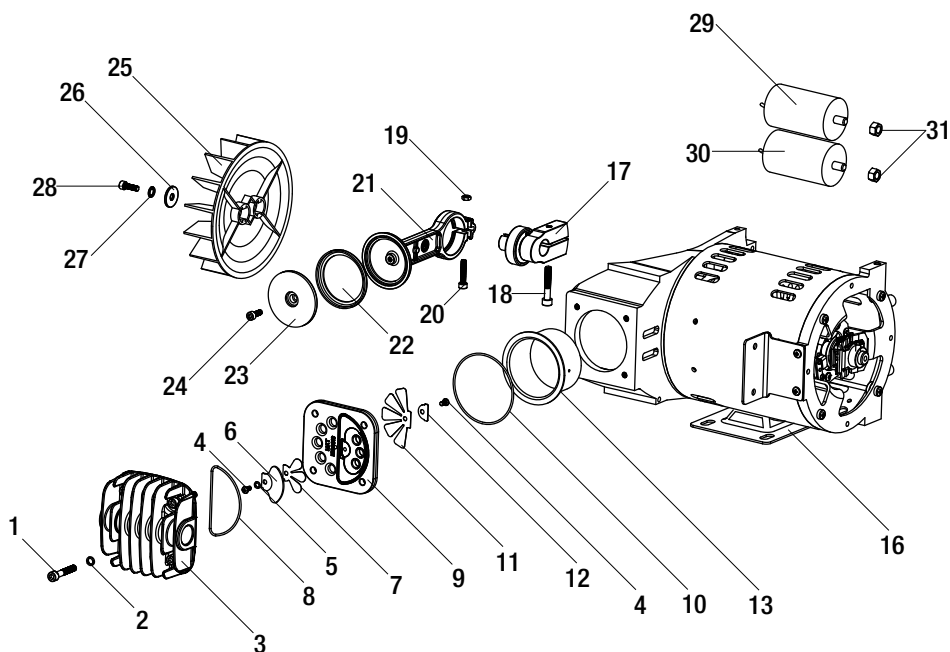
Problem	Possible Cause	Solution
The compressor does not run.	<input type="checkbox"/> There is a loss of power or the motor is overheated.	<input type="checkbox"/> Check for proper use of extension cord.
	<input type="checkbox"/> There is no power to the unit.	<input type="checkbox"/> Check to be sure the unit is plugged in.
	<input type="checkbox"/> The circuit breaker has tripped or a fuse has blown at the main power source.	<input type="checkbox"/> Check the fuse/breaker.
	<input type="checkbox"/> The thermal overload protector is actuated.	<input type="checkbox"/> Turn the air compressor OFF.
		<input type="checkbox"/> Unplug air compressor and wait until compressor cools down.
		<input type="checkbox"/> Plug the air compressor into an approved outlet.
	<input type="checkbox"/> Turn the air compressor to the ON position (I).	
<input type="checkbox"/> The pressure switch is bad.	<input type="checkbox"/> Bring the compressor to a service center.	
<input type="checkbox"/> The compressor has reached automatic shutoff pressure.	<input type="checkbox"/> Release the air from the tank until the compressor restarts automatically.	
The motor hums while running slowly, or it doesn't run at all.	<input type="checkbox"/> There is low voltage from the power source.	<input type="checkbox"/> Call an electrician.
	<input type="checkbox"/> The wrong gauge wire or length of extension cord is being used.	<input type="checkbox"/> Check for proper gauge wire and cord length.
	<input type="checkbox"/> There is a shorted or open motor wiring.	<input type="checkbox"/> Bring the compressor to a service center.
	<input type="checkbox"/> There is a defective check valve or unloader.	<input type="checkbox"/> Bring the compressor to a service center.
The fuses blow or circuit breaker trips repeatedly.	<input type="checkbox"/> The incorrect fuse type is being used.	<input type="checkbox"/> Check for the proper fuse.
		<input type="checkbox"/> Use a time-delay fuse. Disconnect other electrical appliances from the circuit or operate the compressor on its own branch circuit.
	<input type="checkbox"/> The wrong gauge wire or length of extension cord is used.	<input type="checkbox"/> Check for the proper gauge wire and cord length.
<input type="checkbox"/> There is a defective check valve or unloader.	<input type="checkbox"/> Bring the compressor to a service center.	

## Troubleshooting (continued)

Problem	Possible Cause	Solution
The thermal overload protector cuts out repeatedly.	<input type="checkbox"/> There is low voltage from the power source.	<input type="checkbox"/> Call an electrician.
	<input type="checkbox"/> There is a lack of proper ventilation, or the room temperature is too high.	<input type="checkbox"/> Move the compressor to a well-ventilated area.
	<input type="checkbox"/> The wrong gauge wire or length of extension cord is being used.	<input type="checkbox"/> Check for proper gauge wire and cord length.
The air receiver pressure drops when the compressor shuts off.	<input type="checkbox"/> The connections (fittings, tubing, etc.) are loose and leaking.	<input type="checkbox"/> Check all connections with a soap and water solution and tighten.
	<input type="checkbox"/> The drain valve is loose or open.	<input type="checkbox"/> Tighten the drain valve.
	<input type="checkbox"/> The check valve is leaking.	<input type="checkbox"/> Bring the compressor to a service center.
There is excessive moisture in the discharge air.	<input type="checkbox"/> There is excessive water in the air tank.	<input type="checkbox"/> Drain the tank.
	<input type="checkbox"/> The compressor is working under a high humidity environment.	<input type="checkbox"/> Move the compressor to an area of less humidity; use an air line filter.
The compressor continuously runs.	<input type="checkbox"/> The pressure switch is defective.	<input type="checkbox"/> Bring the compressor to a service center.
	<input type="checkbox"/> An excessive amount of air is being used.	<input type="checkbox"/> Decrease the air usage; the compressor is not large enough for the tool's requirement.
The air output is lower than normal.	<input type="checkbox"/> The inlet valves are broken.	<input type="checkbox"/> Bring the compressor to a service center.
	<input type="checkbox"/> The connections (fittings, tubing, etc.) are loose and leaking.	<input type="checkbox"/> Tighten the connections.

# Service Parts

## PUMP/MOTOR ASSEMBLY



Item Number	Description	Kit Number	Part Number
1	Screw, SHCS M6 X 1 X 35mm	7	---
2	Washer, Lock M6	7	---
3	Head, Cylinder	7	E100284
4	Screw, HFHS M3 X 0.4 X 5mm	1 & 7	---
5	Washer, Lock M3	1 & 7	---
6	Retainer, Outlet Valve	1 & 7	---
7	Valve, Outlet	1 & 7	---
8	Gasket, O-ring, Head (D Shape)	1, 7 & 9	---
9	Plate, Valve	1 & 7	---
10	Gasket, O-Ring, Cylinder	1, 7 & 9	---
11	Valve, Inlet	1 & 7	---
12	Retainer, Inlet Valve	1 & 7	---
13	Cylinder	2 & 7	---
14	N/A	---	---
15	N/A	---	---
16	Motor/Pump F2S	7	---

## Service Parts (continued)

### F2S20VWD & F2S26VWDVP1.CA, AIR COMPRESSOR

Item Number	Description	Kit Number	Part Number
17	Assy, Eccentric, Pump & Bearing 6203ZC3	3 & 7	---
18	Screw, SHCS M6 X 1 X 35mm	3 & 7	---
19	Nut, M5 X 0.8	2 & 7	---
20	Screw, SHCS M5 X 0.8 X 25mm	2 & 7	---
21	Rod, Connector	2 & 7	---
22	Ring, Piston	2 & 7	---
23	Cap, Piston	2 & 7	---
24	Screw, M5 X 0.8 X 15mm	2 & 7	---
25	Fan, Cooling (F2)	4	---
26	Washer, Flat M6	4	---
27	Washer, Lock M6	4	---
28	Screw, SHC M6 X 1.0 X 16mm (Left Hand)	4	---
29	Capacitor, Running (Motor-50µF/250VAC) Bkt Mt	7	E104273
30	Capacitor, Starting (Motor-250µF/125VAC) Bkt Mt	7	E104272
31	Nut, Hex M8 X 1.25	7	---
32	N/A	---	---
33	N/A	---	---
34	Switch, Rocker (Red)	---	E103001
35	Screw, SHC M5 x 0.8 x 14mm	---	---
36	Screw, #8-16x 1 in. Pan Head Plastite T20	---	---
37	Shroud, Right	---	E105437
38	Plate, Name	---	E105439
39	Shroud, Left	---	E105438
40	Screw, SHC M8 X 1.25 X 35mm	---	---
41	Cover, Filter, HUSKY	8	---
42	Element, Intake Filter	8	E101613
43	Base, Intake Filter	8	---
44	Valve, Check, 90° LEFT	10	---
45	Plug, Filtered Bleed-off	10	E106745
46	Ferrule, 3/8 OD Tube	6	---
47	Nut, Hex Comp. 3/8 in. OD Tube	6	---
48	Assy, Outlet Tube 3/8 OD CU finned	6	---
49	Elbow, Exhaust	---	E100283
50	Switch, Pressure	---	E101713

## Service Parts (continued)

### F2S20VWD & F2S26VWDVP1.CA, AIR COMPRESSOR

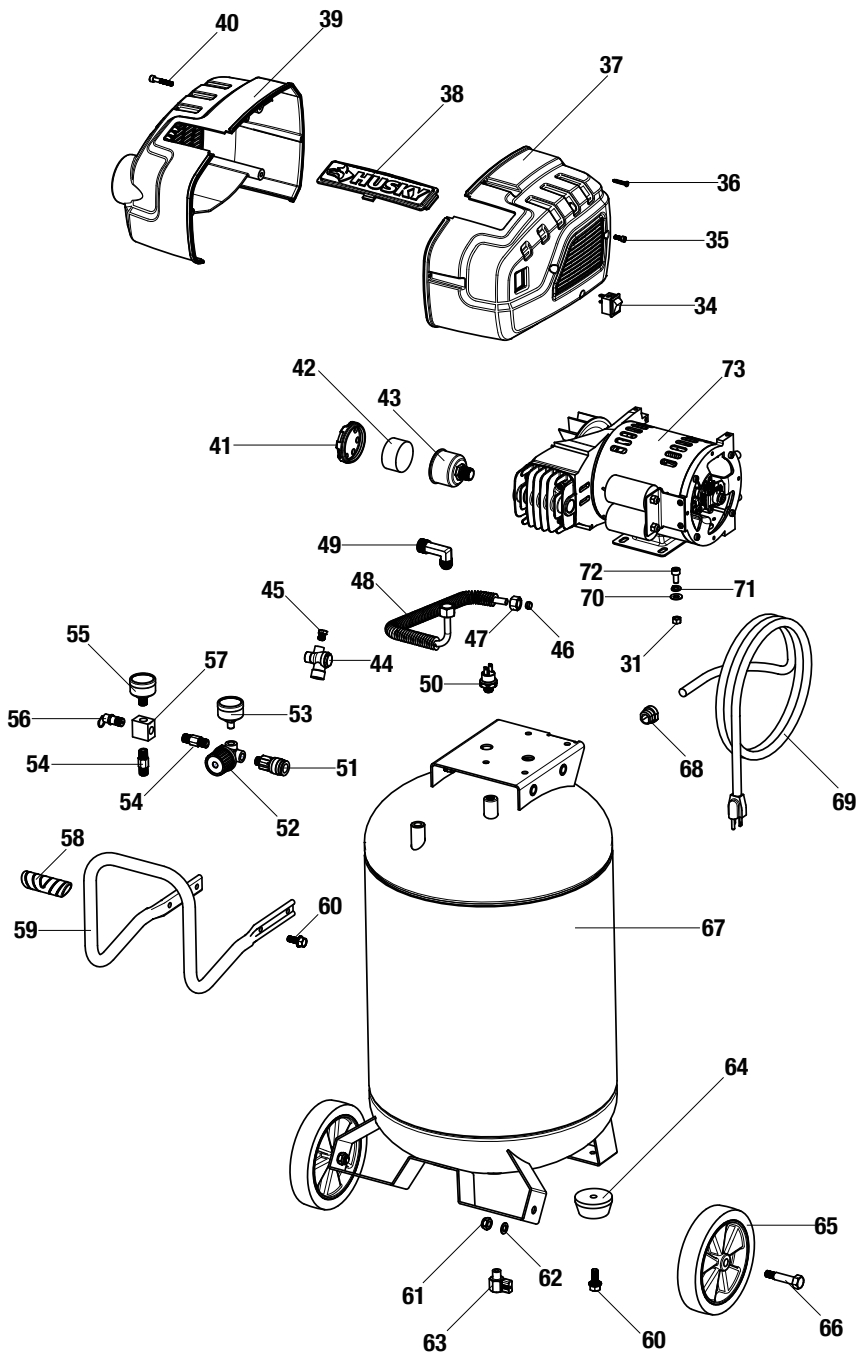
Item Number	Description	Kit Number	Part Number
51	Coupler, Quick Connect	---	E100307
52	Regulator, 3 Port RH Flow	---	E100210
53	Gauge, Pres. 38mm 150RL 1/8NPT	---	E105403
54	Nipple, 1/4 NPT X 35mm	---	E102857
55	Gauge, Pres. 38mm 150RL 1/4NPT	---	E103686
56	Valve, Safety	---	E102612
57	Coupling, Block (3 Port 1/4NPT)	---	E102934
58	Grip, Handle	---	E105686
59	Handle	---	E105443
60	Screw, HFH Serrated, M8 X 1.25 X 20mm Self Tap	---	---
61	Nut, Nylok M10 X 1.25	5	---
62	Washer, Lock	5	---
63	Valve, Drain Quarter Turn	---	E101717
64	Isolator, Foot	---	E100240
65	Wheel, 7" X 1.5" Black (Gray)	5	---
66	Bolt, Shoulder M10 X 1.5 X 55mm	5	---
67	Tank	---	---
68	Restraint, Cord	---	E101800
69	Power Cord	---	E101073
70	Washer, Flat M8	---	---
71	Washer, Lock M8	---	---
72	Screw, SHC M8 X 1.25 X 16mm	---	---
73	Assy, Motor/Pump	7	E104440



**NOTE:** Any part/kit number field without a number is not available. Descriptions are provided for reference only. The Kit Number column represents that the part being offered is available in a kit. One of each part per kit will be offered.

# Service Parts (continued)

## F2S20VWD & F2S26VWDVP1.CA, AIR COMPRESSOR





## Service Parts (continued)

### KITS

Kit Number	Description	Ref. Number	Part Number
1	Kit, Valve Plate	4, 12	E103497
2	Kit, Piston	13, 19-24	E106122
3	Kit, Eccentric	17-18	E104441
4	Kit, F2 Pump Fan	25-28	E104280
5	Kit, Wheel (replaces one wheel assy.)	61, 62, 65, 66	E105863
6	Kit, Finned Aluminum 3/8" Outlet Tube	42-44	E105847
7	Kit, F2S Motor/Pump Assy.	1-31, 73	E104440
8	Kit, Air Filter	41-43	E100794
9	Kit, O-ring Gasket (F2)	8, 10	E105845
10	Kit, Check Valve (90° Top)	44-45	E106123



Questions, problems, missing parts? Before returning to the store call  
Husky Customer Service  
8 a.m. - 6 p.m., EST, Monday-Friday

**1-888-43-HUSKY**

**HUSKYTOOLS.COM**

Retain this manual for future use.

Document Number: E107108

07/17/2013