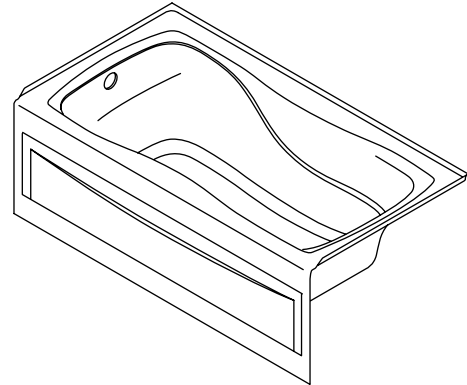


Features

- Acrylic
- Integral apron
- Integral tile flange
- Left or right drain
- Alcove installation
- Textured bottom surface
- 60" (152.4 cm) x 32" (81.3 cm) x 20" (50.8 cm)



Codes/Standards Applicable

Specified model meets or exceeds the following:

- ANSI Z124.1.2
- IAPMO/UPC

Colors/Finishes

- 0: White
- Other: Refer to Price Book for additional colors/finishes

Accessories

- CP: Polished Chrome
- SH: Bright Silver

Specified Model

Model	Description	Colors/Finishes	
K-1219-LA	Integral apron and integral tile flange, left drain (shown)	<input type="checkbox"/> 0	<input type="checkbox"/> Other _____
K-1219-RA	Integral apron and integral tile flange, right drain	<input type="checkbox"/> 0	<input type="checkbox"/> Other _____
Recommended Accessories			
K-7161-AF	Bath drain – for above or through-the-floor installation	<input type="checkbox"/> CP	<input type="checkbox"/> Other _____
Optional Accessories			
K-1278	Removable apron	<input type="checkbox"/> 0	<input type="checkbox"/> Other _____
K-1491	Removable pillow	<input type="checkbox"/> 0	<input type="checkbox"/> Other _____
K-1601	Footstop	<input type="checkbox"/> 0	<input type="checkbox"/> Other _____

Product Specification:

The acrylic bath shall with integral apron shall be 60" (152.4 cm) in length, 32" (81.3 cm) in width, and 20" (50.8 cm) in height. Bath shall have a left or right drain. Bath shall feature an integral tile flange and textured bottom surface. Bath shall be for alcove installations. Bath shall be Kohler Model K-1219-____-____.

HOURGLASS® 32

Technical Information

Fixture*:	
Basin area	
Basin area bottom	47" (119.4 cm) x 20" (50.8 cm)
Basin area top	53" (134.6 cm) x 23" (58.4 cm)
Weight	80 lbs (36.3 kg)
To overflow	
Water depth	14-1/2" (36.8 cm)
Capacity	64 gal (242.3 L)
* Approximate measurements for comparison only.	

Installation Notes

Install this product according to the installation guide.

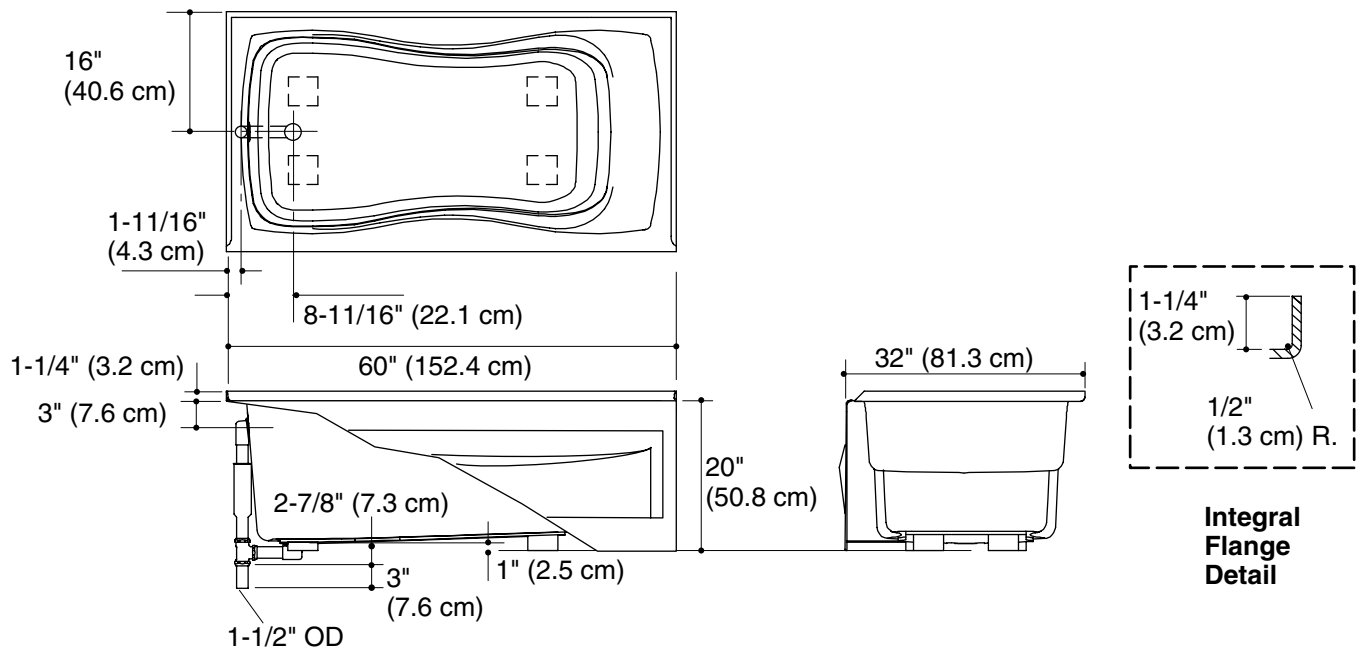
Floor support under this product must provide for a minimum of 48 lbs/square foot (234 kg/square meter) loading.

The hot water supply should be 70% of the capacity of the bath or greater. Installations will vary.

Rim-mount faucet installations: Before drilling the mounting holes, ensure the faucet does not interfere with the drain overflow and circulating system.

Deck-mount spout installations: Consult local and national codes for minimum air gap requirements.

No change in measurements if connected with drain illustrated.



Product Diagram