

**RYOBI**  
**12 in. Sliding Compound**  
**Miter Saw With LED**  
**Model Nos. TSS121 & TSS121T**  
**Repair Sheet**

**ONE WORLD TECHNOLOGIES, INC.**  
P.O. Box 1288, Anderson, SC 29622 • Phone 1-800-525-2579  
[www.ryobitools.com](http://www.ryobitools.com)

RYOBI 12 in. SLIDING COMPOUND MITER SAW – MODEL NOS. TSS121 & TSS121T

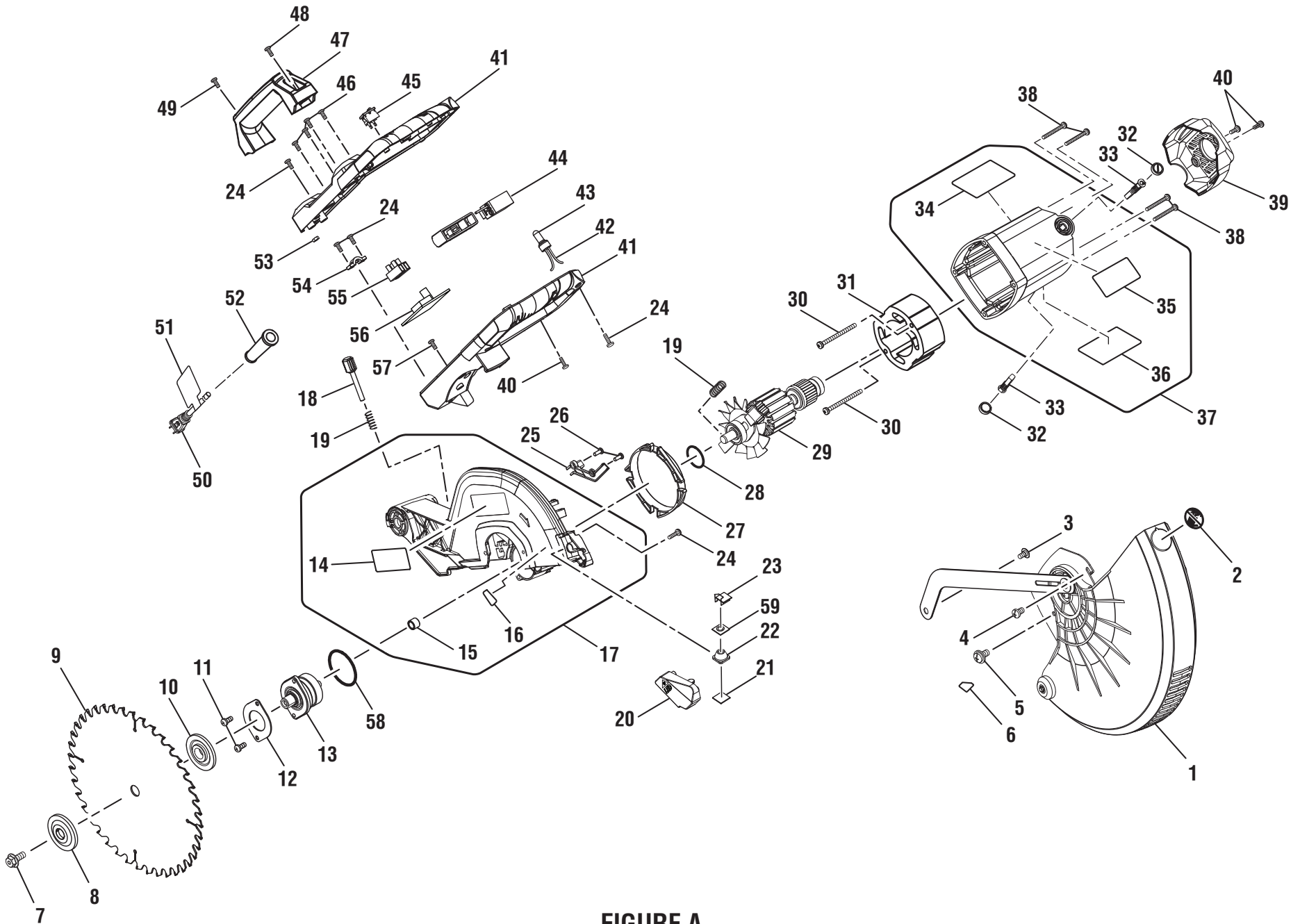


FIGURE A

## RYOBI 12 in. SLIDING COMPOUND MITER SAW – MODEL NOS. TSS121 & TSS121T

The model number will be found on a label attached to the housing. Always mention the model number in all correspondence regarding your **MITER SAW** or when ordering replacement parts.

### PARTS LIST – FIGURE A

KEY NO.	PART NUMBER	DESCRIPTION	QTY	KEY NO.	PART NUMBER	DESCRIPTION	QTY
1	089240023707	Lower Guard Assembly (Inc. Key No. 2) .....	1	34	089240022911	Warning Label (English) .....	1
2	089240022905	No Hands Label .....	1	35	089240022903	Logo Label .....	1
3	089006017042	Screw (M6, Special) .....	1	36	089240023901	Data Label (TSS121) .....	1
4	089006017040	Screw (M5, Special) .....	1		089240048901	Data Label (TSS121T) .....	1
5	089006017041	Screw (M4 x 10 mm, Cheese Hd.) .....	1	37	089240023705	Motor Housing Assembly (Inc. Key Nos. 34-36, TSS121) .....	1
6	089100207051	Blade Screw Direction Label .....	1		089240048701	Motor Housing Assembly (Inc. Key Nos. 34-36, TSS121T) .....	1
7	089041016013	Arbor Screw (M10 x 20 mm) .....	1	38	080016005086	Screw w/Washer (M5 x 50 mm) .....	4
8	089006017043	Outer Blade Washer .....	1	39	080016005087	End Cap .....	1
9	089240023903	Blade .....	1	40	089006017061	Screw (M4 x 12 mm, Round Hd.) .....	3
10	089041016014	Inner Blade Washer .....	1	41	089041016716	Handle Assembly .....	1
11	089006017107	Screw (M5 x 20 mm, Pan Hd.) .....	2	42	080016005092	Yellow Wire .....	2
12	089041016035	Arbor Cap .....	1	43	089037007048	Wire Connector .....	1
13	089041016711	Arbor Assembly .....	1	44	089240023706	Switch Assembly .....	1
14	089240023902	Logo Label (Upper Guard) .....	1	45	089006017056	Switch .....	1
15	089006017105	Needle Bearing .....	1	46	080016005105	Screw w/Washer (M5 x 40 mm, Pan Hd.) .....	4
16	089041016906	Lower Guard Warning Label .....	1	47	080016005102	Carry Handle .....	1
17	089240023708	Upper Guard Assembly (Inc. Key Nos. 14-16) .....	1	48	080016005103	Screw (M5 x 90 mm, Pan Hd.) .....	1
18	080016005090	Adjusting Knob .....	1	49	080016005104	Screw (M5 x 25 mm, Pan Hd.) .....	1
19	080016005029	Compression Spring .....	2	50	089041016058	Power Cord Assembly (Inc. Key No. 51) .....	1
20	089240022001	LED Cap .....	1	51	089240022912	Cord Wrap Warning Label .....	1
21	080016005019	LED Deck (Lens) .....	1	52	080016005098	Bend Relief .....	1
22	089240022004	Collimator .....	1	53	080016005100	Hex Nut (M5) .....	1
23	089240022005	LED Deck .....	1	54	089006017062	Cord Clamp .....	1
24	089006017051	Screw (M4 x 16 mm, Round Hd.) .....	5	55	089038001051	Connector Deck .....	1
25	089041016042	LED Wire Cap .....	1	56	089240023010	LED Adapter .....	1
26	080016005003	Screw (M4 x 10mm, Pan Hd.) .....	2	57	080016005056	Screw (M5 x 12 mm, Pan Hd.) .....	1
27	080016005076	Baffle .....	1	58	089240023014	O Ring .....	1
28	089240022027	O-Ring .....	1	59	089240022029	Isolation Pad .....	1
29	089041016713	Armature Assembly .....	1				
30	080016005082	Screw w/Washer (M5 x 60 mm) .....	2		<b>Not Shown:</b>		
31	080016005083	Field Assembly .....	1		995000617	Owner's Manual	
32	080016005088	Brush Cap .....	2		5-10-19		
33	080016005121	Brush .....	2		(Rev:02)		

RYOBI 12 in. SLIDING COMPOUND MITER SAW – MODEL NOS. TSS121 & TSS121T

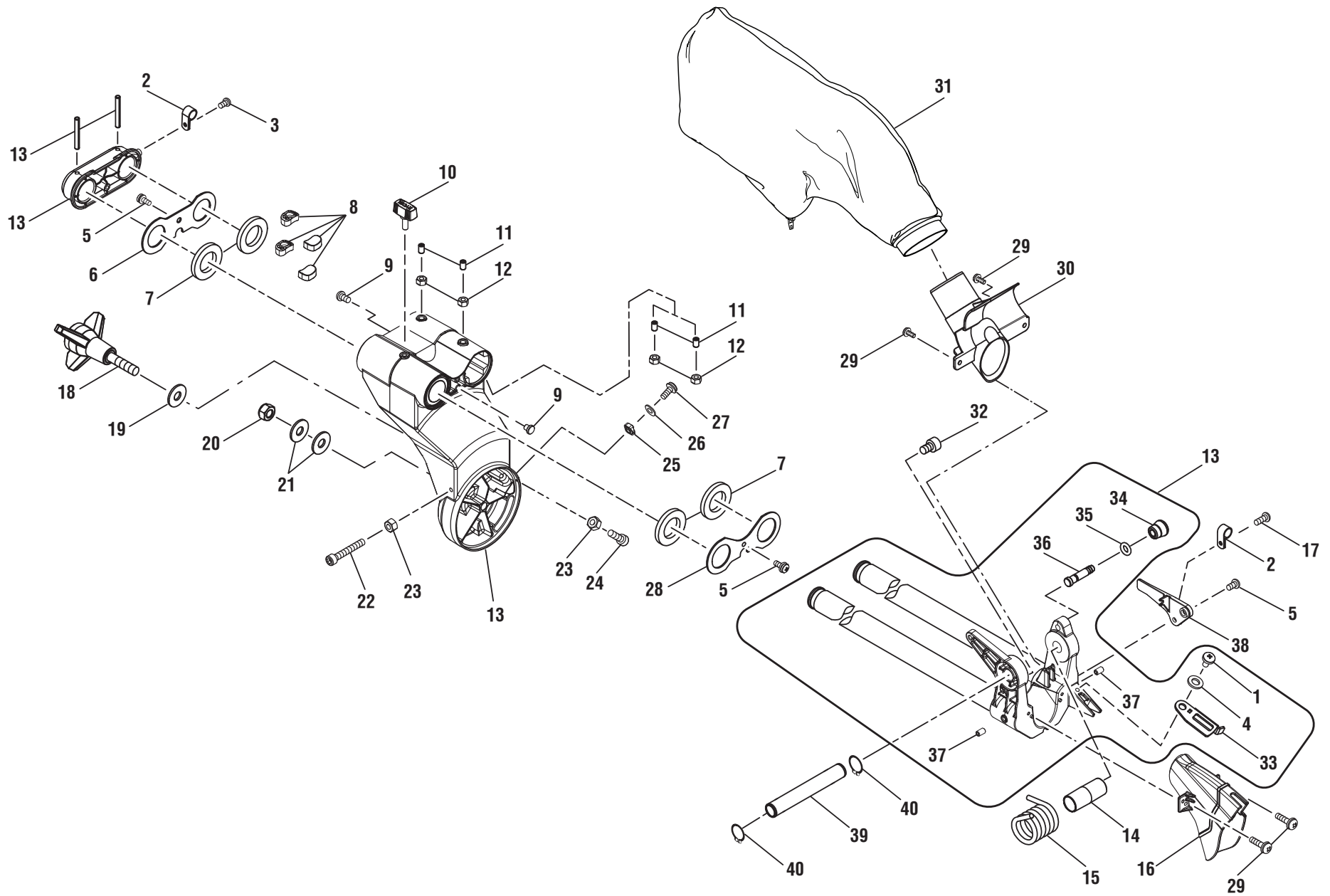


FIGURE B

**RYOBI 12 in. SLIDING COMPOUND MITER SAW – MODEL NOS. TSS121 & TSS121T**

The model number will be found on a label attached to the housing. Always mention the model number in all correspondence regarding your **MITER SAW** or when ordering replacement parts.

**PARTS LIST – FIGURE B**

<b>KEY NO.</b>	<b>PART NUMBER</b>	<b>DESCRIPTION</b>	<b>QTY</b>	<b>KEY NO.</b>	<b>PART NUMBER</b>	<b>DESCRIPTION</b>	<b>QTY</b>
1	089006017042	Screw (M6, Special) .....	1	21	080016005116	Washer (ID10.2 x OD20 x 2t) .....	2
2	089110101081	Cord Clamp .....	2	22	089041016031	Bolt (M6 x 55 mm, Hex Hd.) .....	1
3	080016005015	Screw (M5 x 10 mm, Pan Hd.) .....	1	23	080016005059	Hex Nut (M6) .....	2
4	080016005042	Wavy Washer (ID8 x OD13 x 0.3t) .....	1	24	089041016032	Screw (M6 x 35 mm, Hex Soc. Hd.) .....	1
5	080016005056	Screw (M5 x 12 mm, Pan Hd.) .....	3	25	080016005014	Bevel Indicator .....	1
6	089041016030	Rear Cap .....	1	26	089006017066	Washer (ID4 x OD8 x 1t) .....	1
7	089041016024	Felt Washer .....	4	27	080016005013	Screw (M4 x 6 mm, Pan Hd.) .....	1
8	089041016025	Adjust Pad .....	4	28	089041016033	Front Cap .....	1
9	080016005048	Bumper .....	2	29	080016005003	Screw (M4 x 10 mm, Pan Hd.) .....	4
10	089041038052	Miter Knob .....	1	30	080016005010	Dust Tube .....	1
11	080016005054	Set Screw (M8 x 20 mm) .....	4	31	080016005706	Dust Bag Assembly .....	1
12	080016005053	Hex Nut (M8) .....	4	32	080016005009	Screw (M8 x 10 mm, Hex Soc. Hd.) .....	1
13	089041016702	Sliding Bracket Assembly (Inc. Key Nos. 1, 4-12, 22-24, 28 & 33-37) .....	1	33	080016005041	Adjusting Plate .....	1
14	089041016009	Pivot Spring Bushing .....	1	34	080016005043	Lock Pin Knob .....	1
15	089240023012	Torsion Spring .....	1	35	089006017027	O Ring .....	1
16	089041016008	Dust Chute .....	1	36	089006017026	Lock Pin .....	1
17	089006017052	Screw (M5 x 15 mm, Pan Hd.) .....	1	37	080016005045	Screw (M6 x 8 mm) .....	2
18	080016005016	Bevel Lock Knob .....	1	38	089041016015	Indicator .....	1
19	089006017035	Washer (ID10 x OD26 x2t) .....	1	39	080016005007	Spindle .....	1
20	080016005017	Lock Nut (M10) .....	1	40	089290001102	C Ring .....	2

RYOBI 12 in. SLIDING COMPOUND MITER SAW – MODEL NOS. TSS121 & TSS121T

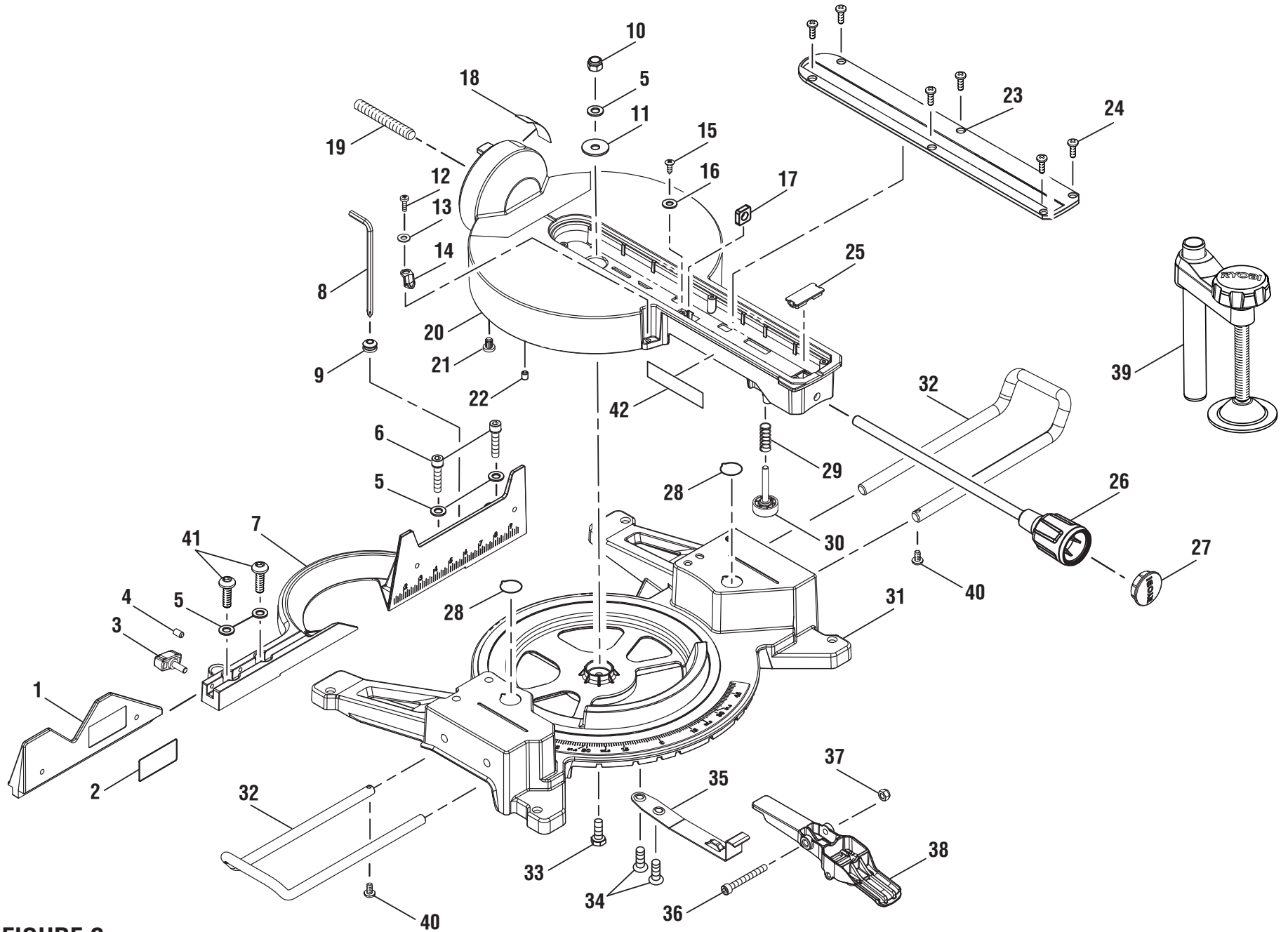


FIGURE C

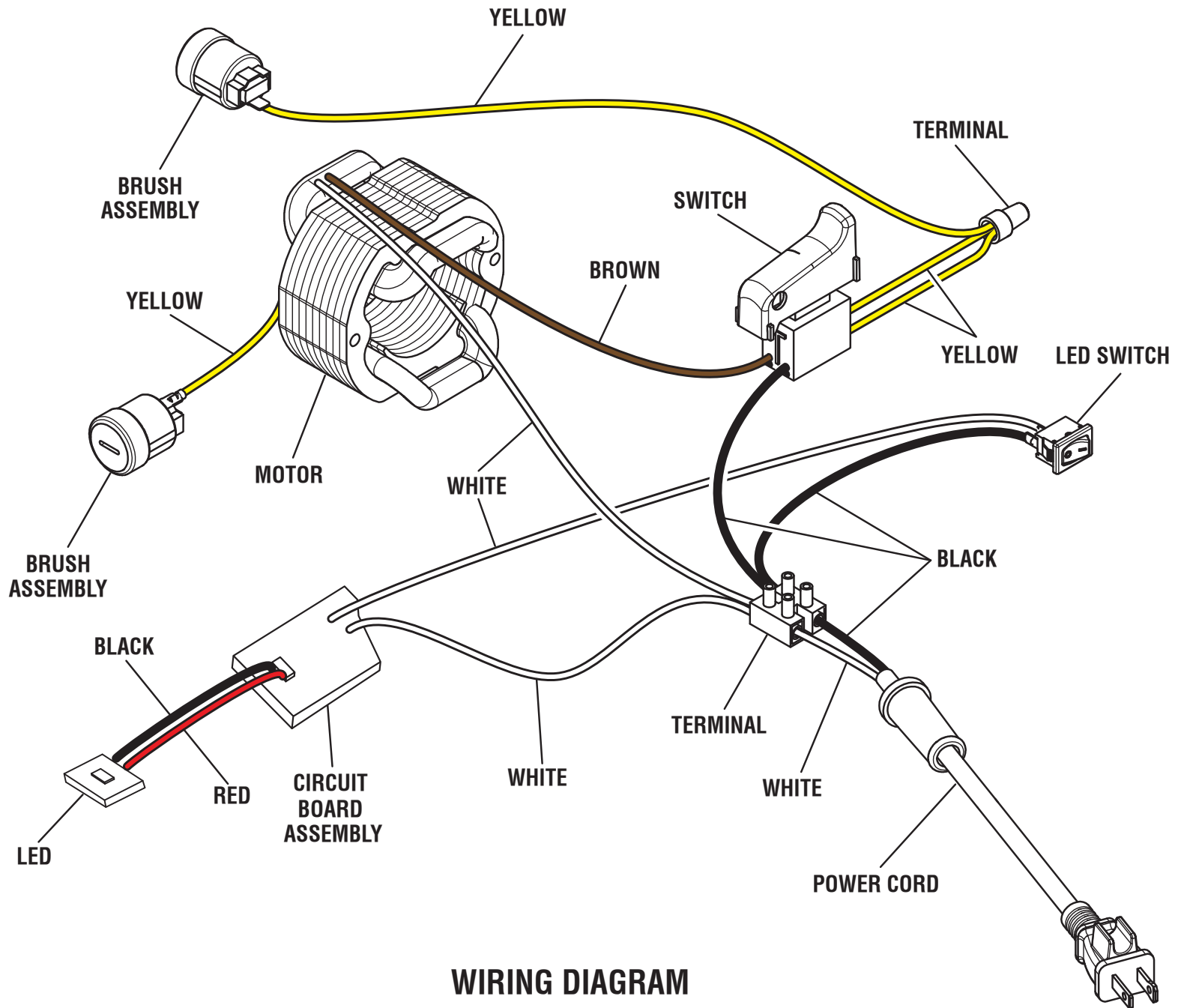
## RYOBI 12 in. SLIDING COMPOUND MITER SAW – MODEL NOS. TSS121 & TSS121T

The model number will be found on a label attached to the housing. Always mention the model number in all correspondence regarding your **MITER SAW** or when ordering replacement parts.

### PARTS LIST – FIGURE C

KEY NO.	PART NUMBER	DESCRIPTION	QTY	KEY NO.	PART NUMBER	DESCRIPTION	QTY
1	089240023007	Extension Fence Assembly (Incl. Key No. 2) .....	1	22	080016005114	Screw (M6 x 8 mm).....	1
2	089041016903	Warning Label (Extension Fence) .....	1	23	089240023004	Throat Plate .....	1
3	089041038052	Miter Fence Knob .....	1	24	080016005003	Screw (M4 x 10 mm, <b>Pan Hd.</b> ).....	6
4	089041016006	Set Screw (M6 x 12 mm) .....	1	25	080016005036	Cap .....	1
5	089006017020	Washer (ID8 x OD16 x 1.5t) .....	5	26	089041016707	Miter Lock Lever Assembly (Incl. Key No. 27)....	1
6	<b>089041016002</b>	<b>Screw w/Washer (M8 x 35 mm, Hex Soc. Hd.) ..</b>	<b>2</b>	27	080016005031	Miter Lock Lever Cap .....	1
7	089240023006	Fence.....	1	28	089240022905	No Hands Label.....	2
8	089240023013	Blade Wrench .....	1	29	080016005029	Compression Spring.....	1
9	089006017008	Blade Wrench Holder .....	1	30	080016005028	Support Knob .....	1
10	089006017021	Lock Nut (M8) .....	1	31	089240023702	Base Assembly (Incl. Key No. 28).....	1
11	089006017071	Washer (ID8.25 x OD21.9 x 1.5t) .....	1	32	089240022021	Extension Rod .....	2
12	089006017015	Screw (M4 x 12 mm).....	1	33	089006017007	Screw (M8 x 20 mm, Hex Hd.).....	1
13	089006017066	Washer (ID4 x OD8 x 1t) .....	1	34	089041016018	Screw (M8 x 20mm, Hex Hd.).....	2
14	080016005037	Miter Indicator .....	1	35	089041016019	Positioning Spring .....	1
15	089041016016	Screw (M4 x 10 mm).....	1	36	080016005026	Screw (M6 x 50 mm, Hex Soc. Hd.) .....	1
16	089041016055	Washer (ID4 x OD14 x 1t) .....	1	37	089006017081	Lock Nut (M6) .....	1
17	080016005030	Square Nut (M10).....	1	38	080016005707	Quick Positioning Assembly.....	1
18	089041016902	Bevel Scale.....	1	39	080016005733	Work Clamp Assembly .....	1
19	080016005035	Bevel Bolt (M10 x 81.5 mm) .....	1	40	089240023002	Screw (M4 x 20 mm, Pan Hd.).....	2
20	089041016021	Table Assembly (Incl. Key Nos. 18 & 42) .....	1	41	089240023005	Screw (M8 x 20 mm. Pan hd.) .....	2
21	080016005034	Turning Pad .....	10	42	089240022907	Cutting Direction Label.....	1

**RYOBI 12 in. SLIDING COMPOUND MITER SAW – MODEL NOS. TSS121 & TSS121T**



**WIRING DIAGRAM**