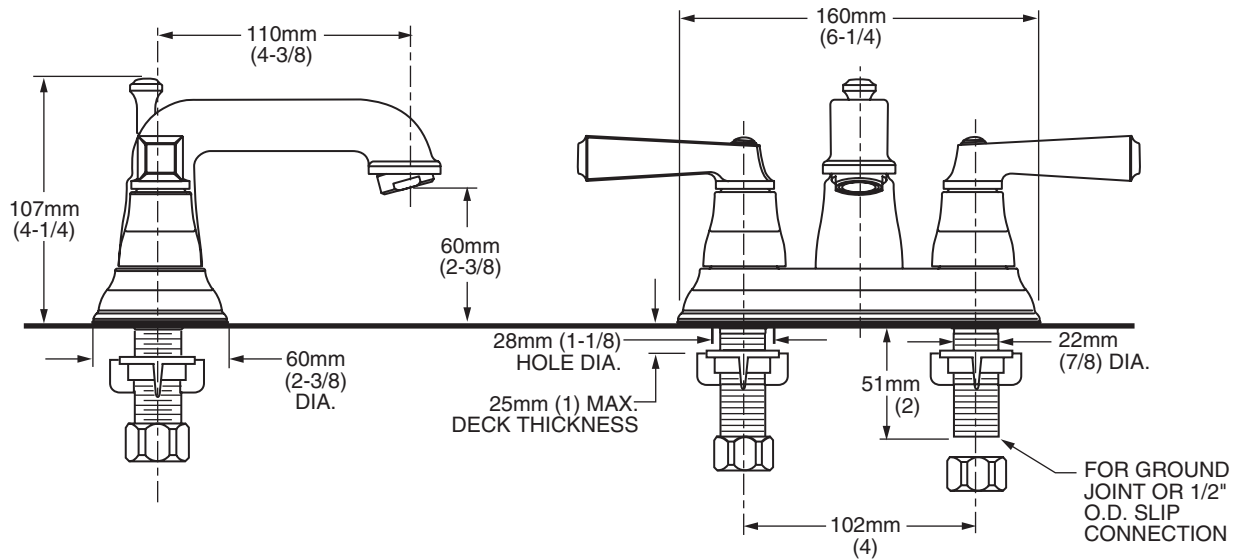


2555.201 Shown

MODEL NUMBER:

- ☐ 2555.201 Centerset Lavatory
 Pop-up drain. Metal Lever handles.



GENERAL DESCRIPTION:

Durable cast brass construction throughout. 1/4 turn washerless ceramic disc valve cartridges. One-half inch male inlet shanks. Metal drain body with 1-1/4" (32mm) tailpiece. 2.2 gpm/8.3L/min. maximum flow rate.

PRODUCT FEATURES:

Solid Brass Construction: Durable - Excellent in high use applications. Ideal for prolonged contact with water. Provides the finest surface for application of all colors and finishes.

Ceramic Disc Valve Cartridges: Assures a lifetime of drip-free performance.

Low Lead: Meets NSF Standard 61/Section 9 & Prop 65 lead requirements.

Exclusive Handle Alignment System: Allows fine tuning of handle position.

Choice of Finishes: Available in Polished Chrome, Polished Brass (PVD) and Satin Nickel (PVD).

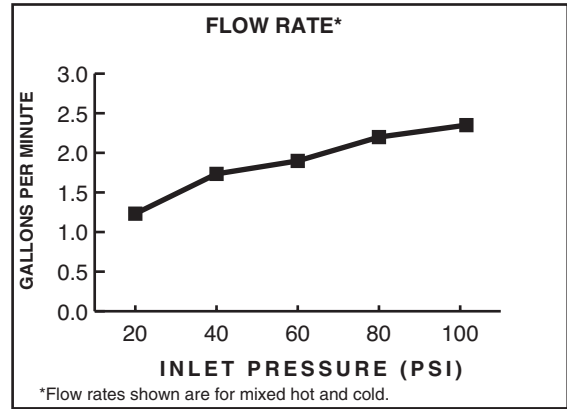
SUGGESTED SPECIFICATION:

4" centerset lavatory faucet shall feature cast brass construction. Shall also feature 1/4 turn washerless ceramic disc valve cartridges. Fitting shall be American Standard Model # 2555.201.____.


CODES AND STANDARDS

These products meet or exceed the following codes and standards:

- ANSI A117.1**
- ASME A112.18.1**
- CSA B 125**
- NSF 61/Section 9**



Product Number	Description	Finish Options*		
		Polished Chrome	PVD Polished Brass	PVD Satin Nickel
		002	099	295
2555.201	Lavatory faucet with pop-up drain. Metal Lever handles.			

 Meets the American Disabilities Act Guidelines and **ANSI A117.1** Requirements for the physically challenged.

***EverClean™ Finish:**

- Offered on Polished Chrome (002), Polished Brass (099) and Satin Nickel (295) finish.
- One wipe effortlessly removes spots.
- Eliminates the need for cleaners and scrubbing.