

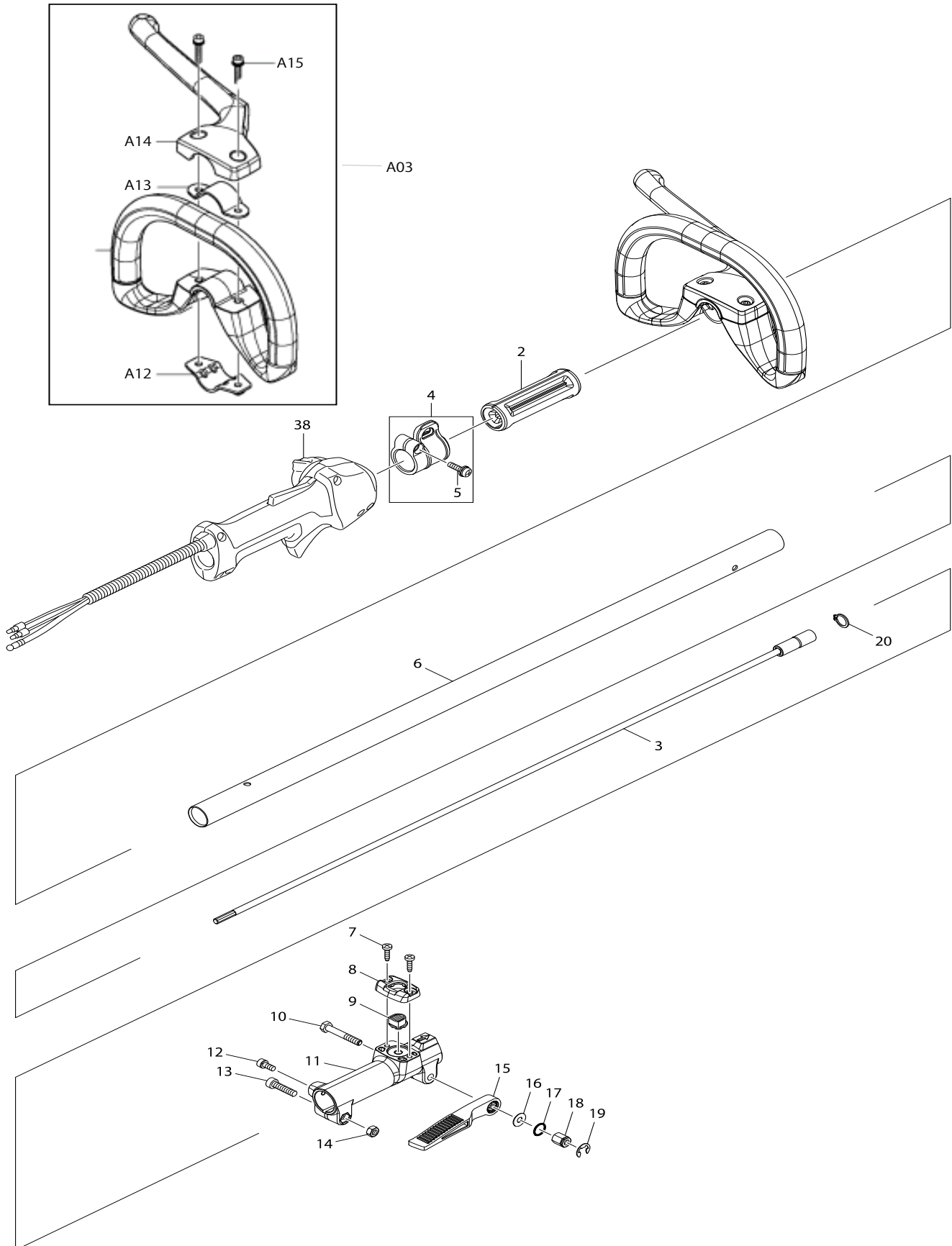


## **PARTS BREAKDOWN**

**EX2650LH**

**CS-246.4 C**

**CS-246.4CBC**



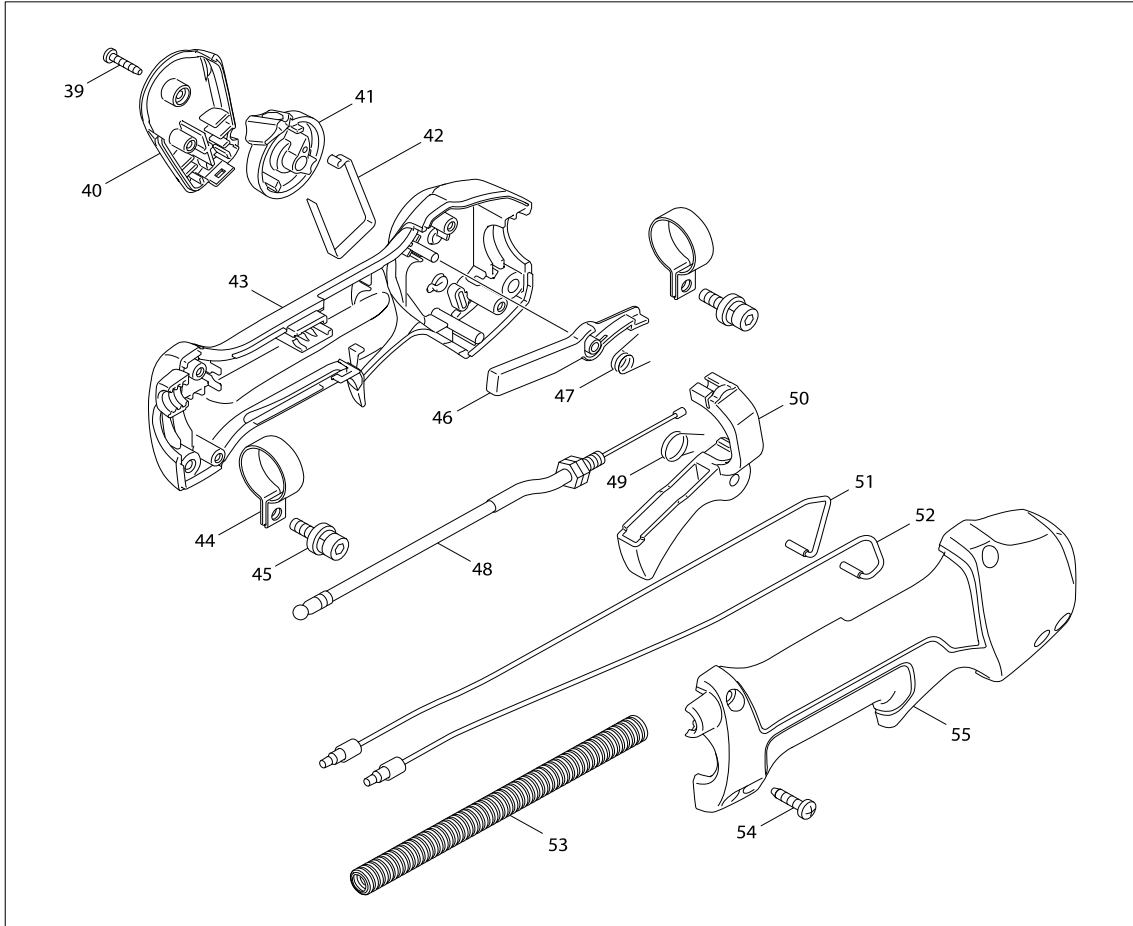
# EX2650LH CS-246.4 C, CS-246.4CBC

# 1

## Main Pipe Assembly, Handle

Products with multiple versions are listed in subsiding order with the newest version on top not indented.

| Section | Fig. No. | Part No. | Description           | EX2650LH | CS-246.4C | CS-246.4C/BC | Tech Bulletin | Notes      |
|---------|----------|----------|-----------------------|----------|-----------|--------------|---------------|------------|
| 1       | 2        | 451601-1 | SPACER                | 1        | 1         | 1            |               |            |
| 1       | 3        | 141238-9 | SHAFT COMPLETE        | 1        | 1         | 1            |               |            |
| 1       | 4        | 195143-2 | HANGER SET            | 1        | 1         | 1            |               | INC. 5     |
| 1       | 5        | 911233-1 | PAN HEAD SCREW        | 1        | 1         | 1            |               |            |
| 1       | 6        | 141008-6 | SHAFT PIPE COMPLETE   | 1        | 1         | 1            |               |            |
| 1       | 7        | 266034-5 | TAPPING SCREW         | 2        | 2         | 2            |               |            |
| 1       | 8        | 452840-6 | RELEASE BUTTON COVER  | 1        | 1         | 1            |               |            |
| 1       | 9        | 452839-1 | RELEASE BUTTON        | 1        | 1         | 1            |               |            |
| 1       | 10       | 265596-0 | HEX. SOCKET HEAD BOLT | 1        | 1         | 1            |               |            |
| 1       | 11       | 318750-6 | JOINT PIPE            | 1        | 1         | 1            |               |            |
| 1       | 12       | 922211-6 | HEX. SOCKET HEAD BOLT | 1        | 1         | 1            |               |            |
| 1       | 13       | 922342-1 | HEX. SOCKET HEAD BOLT | 1        | 1         | 1            |               |            |
| 1       | 14       | 931302-2 | HEXAGONAL NUT         | 1        | 1         | 1            |               |            |
| 1       | 15       | 272268-0 | LEVER                 | 1        | 1         | 1            |               |            |
| 1       | 16       | 253332-6 | THIN WASHER           | 1        | 1         | 1            |               |            |
| 1       | 17       | 213105-9 | O RING                | 1        | 1         | 1            |               |            |
| 1       | 18       | 252159-1 | HEXAGONAL NUT         | 1        | 1         | 1            |               |            |
| 1       | 19       | 259054-6 | STOP RING             | 1        | 1         | 1            |               |            |
| 1       | 20       | 961052-5 | RETAINING RING        | 1        | 1         | 1            |               |            |
| 1       | 38       | 125776-9 | CONTROL LEVER ASS'Y   | 1        | 1         | 1            |               | INC. 39-55 |
| 1       | A03      | 195515-1 | LOOP HANDLE SET       | 1        | 1         | 1            |               |            |
| 1       | A12      | 346467-1 | CLAMP                 | 1        | 1         | 1            |               |            |
| 1       | A13      | 346468-9 | CLAMP                 | 1        | 1         | 1            |               |            |
| 1       | A14      | 452842-2 | CLAMP COVER           | 1        | 1         | 1            |               |            |
| 1       | A15      | 922244-1 | H.S.H.BOLT WITH WG    | 2        | 2         | 2            |               |            |



38

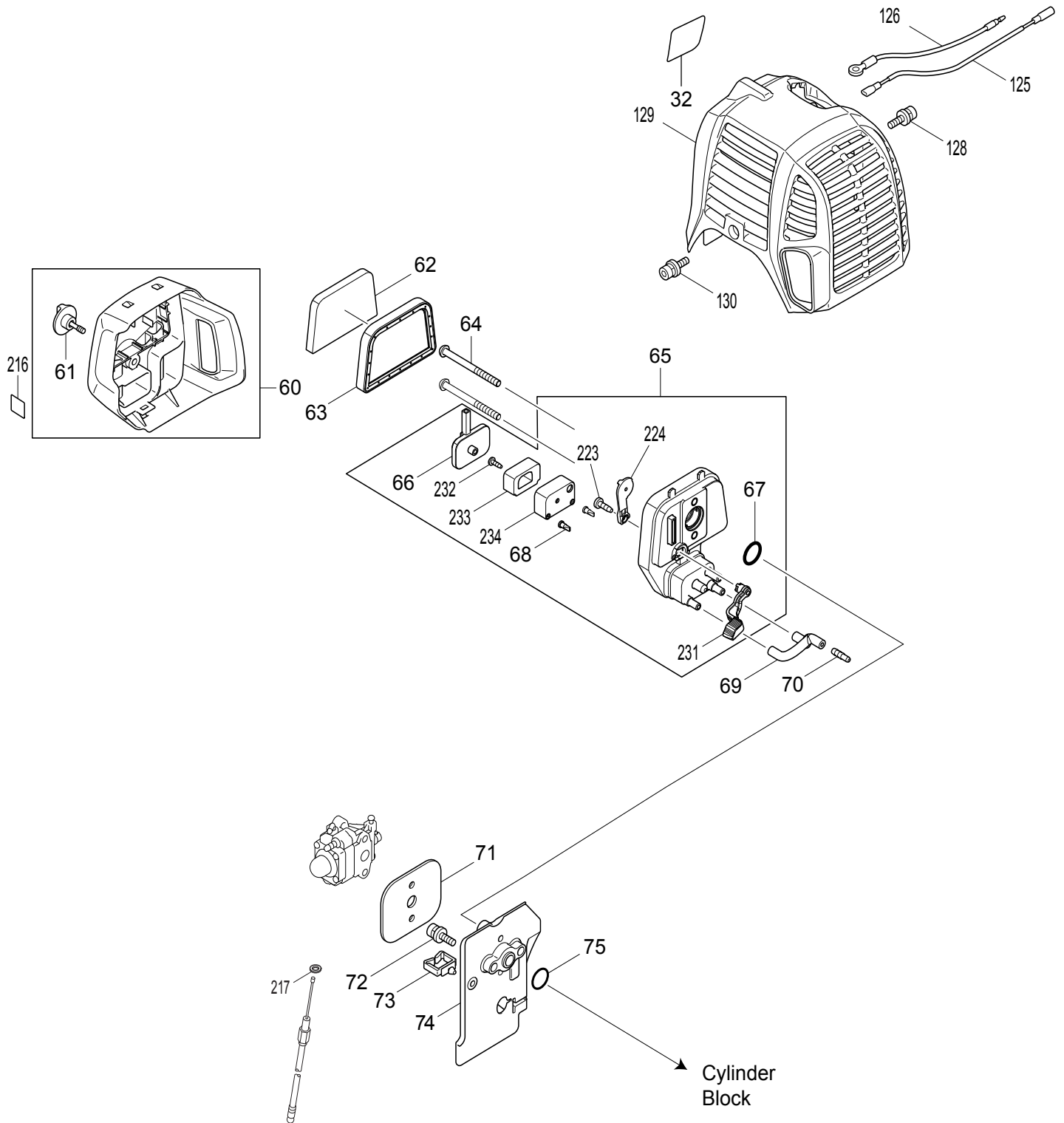
**EX2650LH**  
**CS-246.4 C, CS-246.4CBC**

**2**

**Throttle Handle**

Products with multiple versions are listed in subsiding order with the newest version on top not indented.

| Section | Fig. No. | Part No. | Description           | EX2650LH | CS-246.4C | CS-246.4C/BC | Tech Bulletin | Notes      |
|---------|----------|----------|-----------------------|----------|-----------|--------------|---------------|------------|
| 2       | 38       | 125776-9 | CONTROL LEVER ASS'Y   | 1        | 1         | 1            |               | INC. 39-55 |
| 2       | 39       | 266130-9 | TAPPING SCREW BIND TP | 1        | 1         | 1            |               |            |
| 2       | 40       | 451595-0 | SWITCH COVER          | 1        | 1         | 1            |               |            |
| 2       | 41       | 451594-2 | SWITCH LEVER          | 1        | 1         | 1            |               |            |
| 2       | 42       | 232251-9 | LEAF SPRING           | 1        | 1         | 1            |               |            |
| 2       | 43       | 188832-6 | LEVER CASE, SET       | 1        | 1         | 1            |               | INC. 55    |
| 2       | 44       | 346248-3 | CLAMP                 | 2        | 2         | 2            |               |            |
| 2       | 45       | 922218-2 | H.S.H.BOLT WITH WR    | 2        | 2         | 2            |               |            |
| 2       | 46       | 451593-4 | LOCK LEVER            | 1        | 1         | 1            |               |            |
| 2       | 47       | 233541-3 | TORSION SPRING        | 1        | 1         | 1            |               |            |
| 2       | 48       | 168571-4 | CONTROL CABLE         | 1        | 1         | 1            |               |            |
| 2       | 49       | 233540-5 | TORSION SPRING        | 1        | 1         | 1            |               |            |
| 2       | 50       | 451592-6 | THROTTLE LEVER        | 1        | 1         | 1            |               |            |
| 2       | 51       | 638714-7 | LEAD UNIT             | 1        | 1         | 1            |               |            |
| 2       | 52       | 638713-9 | LEAD UNIT             | 1        | 1         | 1            |               |            |
| 2       | 53       | 452071-7 | CORRUGATED TUBE       | 1        | 1         | 1            |               |            |
| 2       | 54       | 266326-2 | SCREW                 | 4        | 4         | 4            |               |            |
| 2       | 55       | 188832-6 | LEVER CASE, SET       | 1        | 1         | 1            |               | INC. 43    |



# EX2650LH CS-246.4 C, CS-246.4CBC

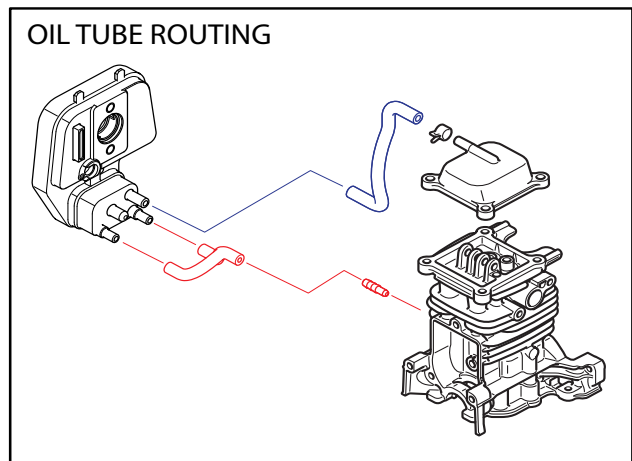
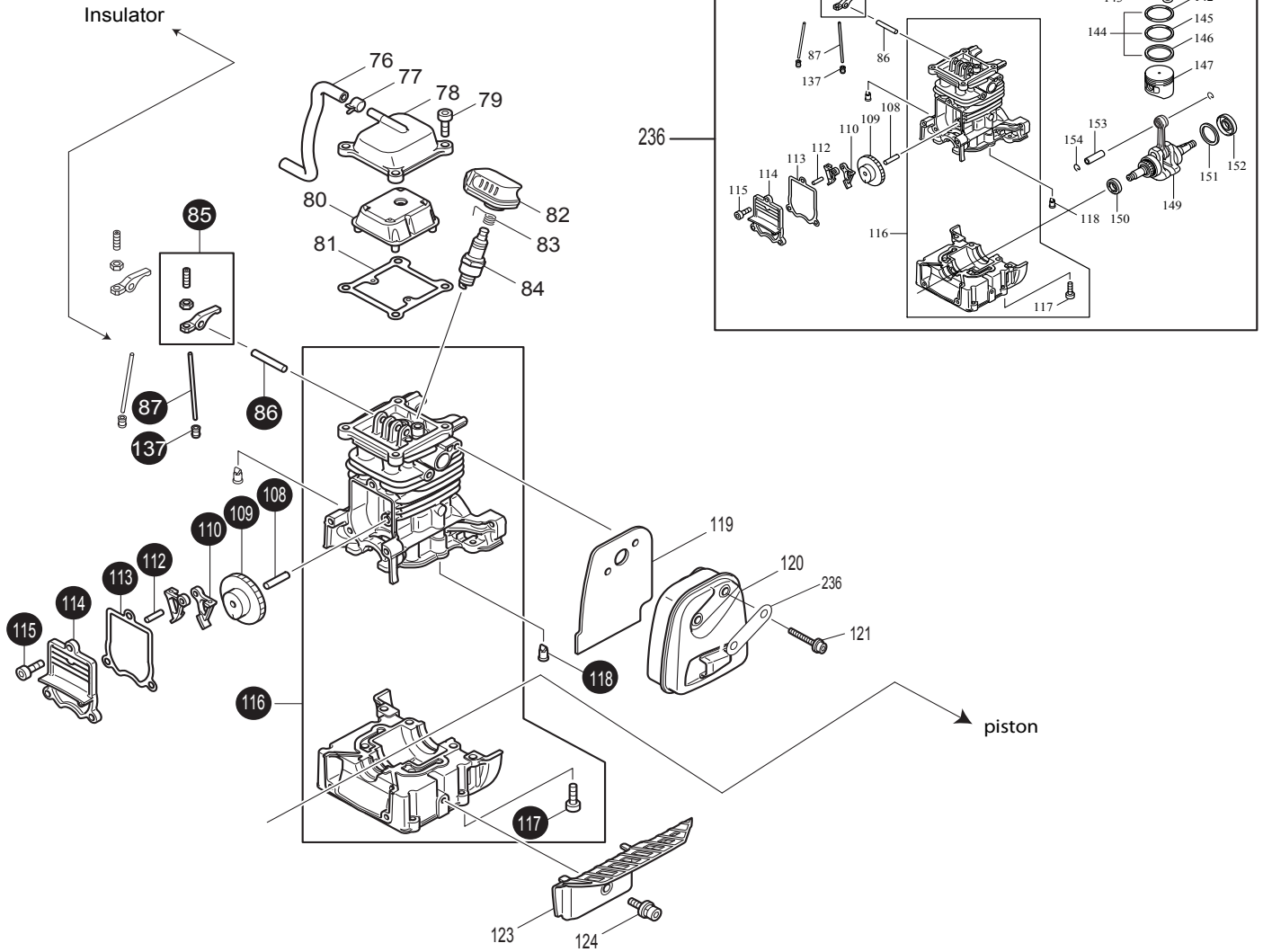
# 3

## Insulator, Cleaner Base, Engine Cover

Products with multiple versions are listed in subsiding order with the newest version on top not indented.

| Section | Fig. No. | Part No. | Description             | EX2650LH | CS-246.4C | CS-246.4C/BC | Tech Bulletin | Notes                         |
|---------|----------|----------|-------------------------|----------|-----------|--------------|---------------|-------------------------------|
| 3       | 60       | 123499-3 | AIR CLEANER COVER ASSY. | 1        | 1         | 1            | B1277         | INC. 61                       |
| 3       | 60       | 126202-1 | AIR CLEANER COVER ASSY. | 1        | 1         | 1            |               | INC. 61                       |
| 3       | 61       | 265791-2 | THUMB SCREW             | 1        | 1         | 1            |               |                               |
| 3       | 62       | 443171-4 | ELEMENT AIR CLEANER     | 1        | 1         | 1            |               |                               |
| 3       | 63       | 443169-1 | ELEMENT AIR CLEANER     | 1        | 1         | 1            |               |                               |
| 3       | 64       | 266618-9 | H.S.BUTTON HEAD BOLT    | 2        | 2         | 2            |               |                               |
| 3       | 65       | 123501-2 | AIR CLEANER PLATE ASS'Y | 1        | 1         | 1            | B1277         | INC. 66-68, 223, 224, 231-234 |
| 3       | 65       | 123501-2 | AIR CLEANER PLATE ASS'Y | 1        | 1         | 1            |               |                               |
| 3       | 66       | 162346-3 | SEPARATOR PLATE         | 1        | 1         | 1            |               |                               |
| 3       | 67       | 213540-1 | O RING                  | 1        | 1         | 1            |               |                               |
| 3       | 68       | 424316-3 | CHECK VALVE             | 2        | 2         | 2            |               |                               |
| 3       | 69       | 422099-9 | PIPE                    | 1        | 1         | 1            |               |                               |
| 3       | 70       | 325665-0 | JOINT PIPE              | 1        | 1         | 1            |               |                               |
| 3       | 71       | 442153-3 | CARBURETOR GASKET       | 1        | 1         | 1            |               |                               |
| 3       | 72       | 266787-6 | H.S.H.BOLT              | 2        | 2         | 2            |               |                               |
| 3       | 73       | 451825-9 | CLAMP                   | 1        | 1         | 1            |               |                               |
| 3       | 74       | 451729-5 | INSULATOR               | 1        | 1         | 1            |               |                               |
| 3       | 75       | 213547-7 | O-RING                  | 1        | 1         | 1            |               |                               |
| 3       | 125      | 638707-4 | LEAD UNIT               | 1        | 1         | 1            |               |                               |
| 3       | 126      | 638708-2 | LEAD UNIT               | 1        | 1         | 1            |               |                               |
| 3       | 128      | 922218-2 | H.S.H.BOLT WITH WR      | 1        | 1         | 1            |               |                               |
| 3       | 129      | 453266-5 | CYLINDER COVER          | 1        |           |              |               |                               |
| 3       | 129      | 453569-7 | CYLINDER COVER          |          | 1         | 1            |               |                               |
| 3       | 130      | 922218-2 | H.S.H.BOLT WITH WR      | 1        | 1         | 1            |               |                               |
| 3       | 216      | 800F73-7 | INDICATION LABEL        | 1        | 1         | 1            |               |                               |
| 3       | 217      | 941152-7 | FLAT WASHER             | 1        | 1         | 1            |               |                               |
| 3       | 223      | 266427-6 | TAPPING SCREW           | 1        | 1         | 1            |               |                               |
| 3       | 224      | 452219-1 | CHOKE PLATE             | 1        | 1         | 1            |               |                               |
| 3       | 231      | 452220-6 | CHOKE LEVER             | 1        | 1         | 1            |               |                               |
| 3       | 232      | 266007-8 | TAPPING SCREW BIND      | 1        | 1         | 1            |               |                               |
| 3       | 233      | 352020-3 | SEPARATOR MESH          | 1        | 1         | 1            |               |                               |
| 3       | 234      | 453865-3 | SEPARATOR CASE          | 1        | 1         | 1            |               |                               |

### Included in Short Block Assembly Fig. No. 236.





Products with multiple versions are listed in subsiding order with the newest version on top not indented.

| Section | Fig. No. | Part No.     | Description           | EX2650LH | CS-246.4C | CS-246.4C/BC | Tech Bulletin | Notes               |
|---------|----------|--------------|-----------------------|----------|-----------|--------------|---------------|---------------------|
| 4       | 76       | 422109-2     | BREATHER PIPE         | 1        | 1         | 1            |               |                     |
| 4       | 77       | 345918-1     | HOSE CLAMP            | 1        | 1         | 1            |               |                     |
| 4       | 78       | 318745-9     | ROCKER COVER OUTER    | 1        | 1         | 1            |               |                     |
| 4       | 79       | 922222-1     | HEX. SOCKET HEAD BOLT | 4        | 4         | 4            |               |                     |
| 4       | 80       | 453860-3     | ROCKER COVER INNER    | 1        | 1         | 1            |               |                     |
| 4       | 81       | 162304-9     | ROCKER COVER GASKET   | 1        | 1         | 1            |               |                     |
| 4       | 82       | 424302-4     | PLUG CAP              | 1        | 1         | 1            |               |                     |
| 4       | 83       | 324891-8     | PLUG CAP SPRING       | 1        | 1         | 1            |               |                     |
| 4       | 84       | 168534-0     | SPARK PLUG            | 1        | 1         | 1            |               |                     |
| 4       | 85       | 125554-7     | ROCKER ARM ASS'Y      | 2        | 2         | 2            |               |                     |
| 4       | 86       | 256200-2     | PIN                   | 1        | 1         | 1            |               |                     |
| 4       | 87       | 256865-0     | ROD                   | 2        | 2         | 2            |               |                     |
| 4       | 88       | 325668-4     | SPRING RETAINER       | 2        | 2         | 2            |               |                     |
| 4       | 108      | 268238-5     | PIN                   | 1        | 1         | 1            |               |                     |
| 4       | 108      | 592-35005-01 | PIN                   | 1        | 1         | 1            |               |                     |
| 4       | 109      | 125552-1     | CAM GEAR ASS'Y        | 1        | 1         | 1            |               |                     |
| 4       | 110      | 313169-4     | CAM LIFTER            | 2        | 2         | 2            |               |                     |
| 4       | 112      | 268239-3     | PIN                   | 1        | 1         | 1            |               |                     |
| 4       | 112      | 592-35006-00 | PIN                   | 1        | 1         | 1            |               |                     |
| 4       | 113      | 162274-2     | CAM GEAR COVER GASKET | 1        | 1         | 1            |               |                     |
| 4       | 114      | 318443-5     | CAMGEAR COVER         | 1        | 1         | 1            |               |                     |
| 4       | 115      | 922222-1     | HEX. SOCKET HEAD BOLT | 3        | 3         | 3            |               |                     |
| 4       | 116      | 135478-9     | CYLINDER BLOCK SET    | 1        | 1         | 1            |               | INC. 88, 117, 118   |
| 4       | 117      | 922222-1     | HEX. SOCKET HEAD BOLT | 6        | 6         | 6            |               |                     |
| 4       | 118      | 424201-0     | CHECK VALVE           | 2        | 2         | 2            |               |                     |
| 4       | 119      | 346331-6     | MUFFLER GASKET        | 1        | 1         | 1            |               |                     |
| 4       | 120      | 168554-4     | EXHAUST MUFFLER       | 1        | 1         | 1            |               |                     |
| 4       | 121      | 266440-4     | HEX. SOCKET HEAD BOLT | 2        | 2         | 2            |               |                     |
| 4       | 123      | 451731-8     | MUFFLER PLATE         | 1        | 1         | 1            |               |                     |
| 4       | 124      | 922218-2     | H.S.H.BOLT WITH WR    | 1        | 1         | 1            |               |                     |
| 4       | 137      | 424200-2     | SPACER                | 2        | 2         | 2            |               |                     |
| 4       | 138      | 234108-0     | COMPRESSION SPRING    | 2        | 2         | 2            |               |                     |
| 4       | 140      | 325669-2     | EXHAUST VALVE         | 1        | 1         | 1            |               |                     |
| 4       | 143      | 325670-7     | INTAKE VALVE          | 1        | 1         | 1            |               |                     |
| 4       | 142      | 257298-2     | PISTON RING TOP       | 1        | 1         | 1            |               | USE PISTON RING SET |

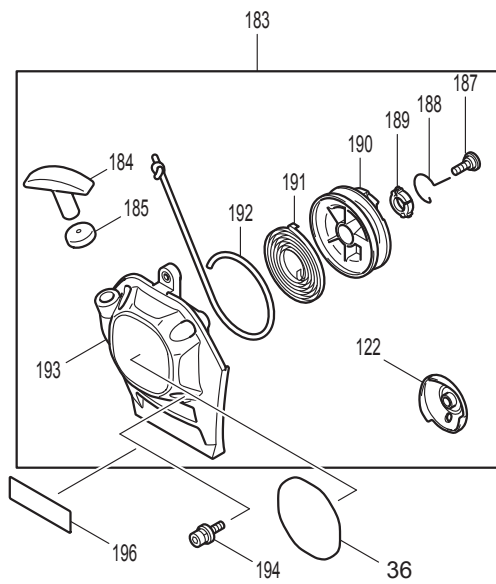
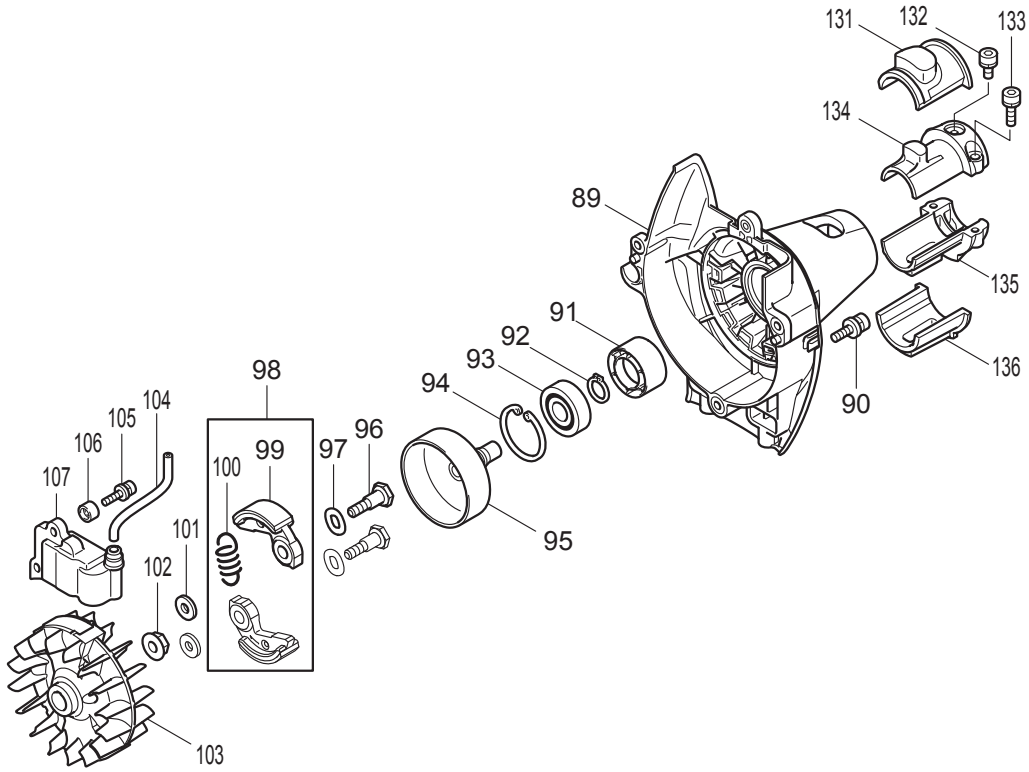
**EX2650LH**  
**CS-246.4 C, CS-246.4CBC**

**4**

**Piston, Cylinder, Muffler, Oil Tank**

Products with multiple versions are listed in subsiding order with the newest version on top not indented.

| Section | Fig. No. | Part No. | Description        | EX2650LH | CS-246.4C | CS-246.4C/BC | Tech Bulletin | Notes               |
|---------|----------|----------|--------------------|----------|-----------|--------------|---------------|---------------------|
| 4       | 144      | 195145-8 | PISTON RING SET    | 1        | 1         | 1            |               |                     |
| 4       | 145      | 257299-0 | PISTON RING SECOND | 1        | 1         | 1            |               | USE PISTON RING SET |
| 4       | 146      | 257300-1 | PISTON RING BOTTOM | 1        | 1         | 1            |               | USE PISTON RING SET |
| 4       | 147      | 318441-9 | PISTON             | 1        | 1         | 1            |               |                     |
| 4       | 149      | 126359-8 | CRANKSHAFT ASS'Y   | 1        | 1         | 1            |               |                     |
| 4       | 149      | 126204-7 | CRANKSHAFT ASS'Y   | 1        | 1         | 1            |               |                     |
| 4       | 150      | 213148-1 | OIL SEAL           | 1        | 1         | 1            |               |                     |
| 4       | 151      | 267400-9 | FLAT WASHER        | 1        | 1         | 1            |               |                     |
| 4       | 152      | 213147-3 | OIL SEAL           | 1        | 1         | 1            |               |                     |
| 4       | 153      | 257781-9 | PISTON PIN         | 1        | 1         | 1            |               |                     |
| 4       | 154      | 233976-8 | CLIP               | 2        | 2         | 2            |               |                     |



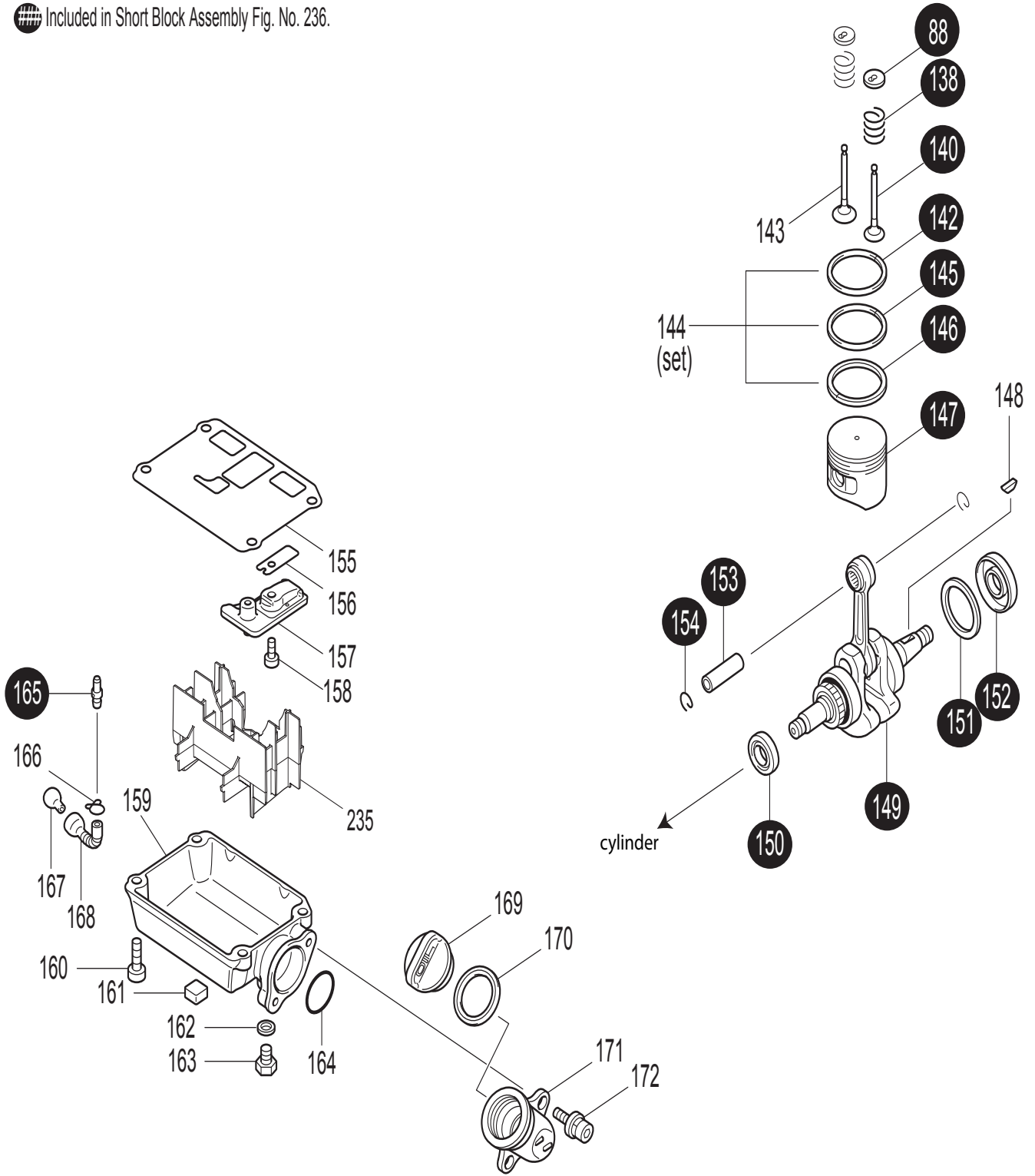
Products with multiple versions are listed in subsiding order with the newest version on top not indented.

| Section | Fig. No. | Part No. | Description           | EX2650LH | CS-246.4C | CS-246.4C/BC | Tech Bulletin | Notes       |
|---------|----------|----------|-----------------------|----------|-----------|--------------|---------------|-------------|
| 5       | 89       | 451735-0 | CLUTCH CASE           | 1        | 1         | 1            |               |             |
| 5       | 90       | 922228-9 | H.S.H.BOLT WITH WR    | 3        | 3         | 3            |               |             |
| 5       | 91       | 450569-8 | SPACER                | 1        | 1         | 1            |               |             |
| 5       | 92       | 961052-5 | RETAINING RING        | 1        | 1         | 1            |               |             |
| 5       | 93       | 211129-9 | BALL BEARING          | 1        | 1         | 1            |               |             |
| 5       | 93       | 210111-5 | BALL BEARING          | 1        | 1         | 1            |               |             |
| 5       | 94       | 962151-6 | RETAINING RING        | 1        | 1         | 1            |               |             |
| 5       | 95       | 161588-6 | CLUTCH DRUM           | 1        | 1         | 1            |               |             |
| 5       | 95       | 165704-2 | CLUTCH DRUM           | 1        | 1         | 1            |               |             |
| 5       | 96       | 266864-4 | SHOULDER HEX. BOLT    | 2        | 2         | 2            |               |             |
| 5       | 97       | 267817-6 | WASHER                | 2        | 2         | 2            |               |             |
| 5       | 98       | 126135-0 | CLUTCH ASSY.          | 1        | 1         | 1            |               | INC. 99-100 |
| 5       | 99       | 168498-8 | CLUTCH SHOE           | 2        | 2         | 2            |               |             |
| 5       | 100      | 231881-3 | TENSION SPRING        | 1        | 1         | 1            |               |             |
| 5       | 101      | 267812-6 | WASHER                | 2        | 2         | 2            |               |             |
| 5       | 102      | 264039-9 | NUT                   | 1        | 1         | 1            |               |             |
| 5       | 103      | 318569-3 | FLYWHEEL              | 1        | 1         | 1            |               |             |
| 5       | 104      | 444021-6 | TUBE                  | 1        | 1         | 1            |               |             |
| 5       | 105      | 266602-4 | HEX. SOCKET HEAD BOLT | 2        | 2         | 2            |               |             |
| 5       | 106      | 452049-0 | SPACER                | 2        | 2         | 2            |               |             |
| 5       | 107      | 168559-4 | IGNITION COIL         | 1        | 1         | 1            |               |             |
| 5       | 122      | 168483-1 | PULLEY STARTER        | 1        | 1         | 1            |               |             |
| 5       | 131      | 424082-2 | VIBRATION DAMPER      | 1        | 1         | 1            |               |             |
| 5       | 132      | 922211-6 | HEX. SOCKET HEAD BOLT | 1        | 1         | 1            |               |             |
| 5       | 133      | 922226-3 | HEX. SOCKET HEAD BOLT | 2        | 2         | 2            |               |             |
| 5       | 134      | 318249-1 | PIPE BRACKET          | 1        | 1         | 1            |               |             |
| 5       | 135      | 318250-6 | PIPE BRACKET          | 1        | 1         | 1            |               |             |
| 5       | 136      | 424083-0 | VIBRATION DAMPER      | 1        | 1         | 1            |               |             |
| 5       | 183      | 195308-6 | RECOIL STARTER SET    | 1        | 1         | 1            |               |             |
| 5       | 184      | 424319-7 | STARTER KNOB          | 1        | 1         | 1            |               |             |
| 5       | 185      | 424359-5 | DAMPER                | 1        | 1         | 1            |               |             |
| 5       | 187      | 266585-8 | TAPPING SCREW         | 1        | 1         | 1            |               |             |
| 5       | 188      | 325923-4 | SWING ARM             | 1        | 1         | 1            |               |             |
| 5       | 189      | 451938-6 | COLLAR                | 1        | 1         | 1            |               |             |
| 5       | 190      | 451937-8 | REEL                  | 1        | 1         | 1            |               |             |

Products with multiple versions are listed in subsiding order with the newest version on top not indented.

| Section | Fig. No. | Part No. | Description        | EX2650LH | CS-246.4C | CS-246.4C/BC | Tech Bulletin | Notes |
|---------|----------|----------|--------------------|----------|-----------|--------------|---------------|-------|
| 5       | 191      | 232258-5 | SPIRAL SPRING      | 1        | 1         | 1            |               |       |
| 5       | 192      | 444023-2 | STARTER ROPE       | 1        | 1         | 1            |               |       |
| 5       | 193      | 451733-4 | STARTER CASE       | 1        | 1         | 1            |               |       |
| 5       | 194      | 922223-9 | H.S.H.BOLT WITH WR | 4        | 4         | 4            |               |       |

 Included in Short Block Assembly Fig. No. 236.



# EX2650LH CS-246.4 C, CS-246.4CBC

# 6

## Oil Tank, Crankshaft, Piston, Valves

Products with multiple versions are listed in subsiding order with the newest version on top not indented.

| Section | Fig. No. | Part No.     | Description           | EX2650LH | CS-246.4C | CS-246.4C/BC | Tech Bulletin | Notes               |
|---------|----------|--------------|-----------------------|----------|-----------|--------------|---------------|---------------------|
| 6       | 88       | 325668-4     | SPRING RETAINER       | 2        | 2         | 2            |               |                     |
| 6       | 138      | 234108-0     | COMPRESSION SPRING    | 2        | 2         | 2            |               |                     |
| 6       | 140      | 325669-2     | EXHAUST VALVE         | 1        | 1         | 1            |               |                     |
| 6       | 142      | 257298-2     | PISTON RING TOP       | 1        | 1         | 1            |               | USE PISTON RING SET |
| 6       | 143      | 325670-7     | INTAKE VALVE          | 1        | 1         | 1            |               |                     |
| 6       | 144      | 195145-8     | PISTON RING SET       | 1        | 1         | 1            |               |                     |
| 6       | 145      | 257299-0     | PISTON RING SECOND    | 1        | 1         | 1            |               | USE PISTON RING SET |
| 6       | 146      | 257300-1     | PISTON RING BOTTOM    | 1        | 1         | 1            |               | USE PISTON RING SET |
| 6       | 147      | 318441-9     | PISTON                | 1        | 1         | 1            |               |                     |
| 6       | 148      | 254040-2     | WOODRUFF KEY          | 1        | 1         | 1            |               |                     |
| 6       | 149      | 126204-7     | CRANKSHAFT ASS'Y      | 1        | 1         | 1            |               | INC. 150-152        |
| 6       | 150      | 213148-1     | OIL SEAL              | 1        | 1         | 1            |               |                     |
| 6       | 151      | 267400-9     | FLAT WASHER           | 1        | 1         | 1            |               |                     |
| 6       | 152      | 213147-3     | OIL SEAL              | 1        | 1         | 1            |               |                     |
| 6       | 153      | 257781-9     | PISTON PIN            | 1        | 1         | 1            |               |                     |
| 6       | 154      | 233976-8     | CLIP                  | 2        | 2         | 2            |               |                     |
| 6       | 155      | 162345-5     | OIL CASE GASKET       | 1        | 1         | 1            |               |                     |
| 6       | 156      | 592-15010-00 | LEAD VALVE            | 1        | 1         | 1            |               |                     |
| 6       | 157      | 318910-0     | RETAINER PLATE        | 1        | 1         | 1            |               |                     |
| 6       | 158      | 922112-8     | HEX. SOCKET HEAD BOLT | 1        | 1         | 1            |               |                     |
| 6       | 159      | 318588-9     | OIL CASE              | 1        | 1         | 1            |               |                     |
| 6       | 160      | 922222-1     | HEX. SOCKET HEAD BOLT | 4        | 4         | 4            |               |                     |
| 6       | 161      | 424344-8     | DAMPER                | 1        | 1         | 1            |               |                     |
| 6       | 162      | 346305-7     | GASKET                | 1        | 1         | 1            |               |                     |
| 6       | 163      | 266611-3     | HEXAGON BOLT          | 1        | 1         | 1            |               |                     |
| 6       | 164      | 213548-5     | O-RING                | 1        | 1         | 1            |               |                     |
| 6       | 165      | 325665-0     | JOINT PIPE            | 1        | 1         | 1            |               |                     |
| 6       | 166      | 282020-8     | HOSE CLAMP            | 1        | 1         | 1            |               |                     |
| 6       | 167      | 325666-8     | OIL WEIGHT            | 1        | 1         | 1            |               |                     |
| 6       | 168      | 424301-6     | OIL TUBE              | 1        | 1         | 1            |               |                     |
| 6       | 169      | 452047-4     | OIL CAP               | 1        | 1         | 1            |               |                     |
| 6       | 170      | 424343-0     | GASKET                | 1        | 1         | 1            |               |                     |
| 6       | 170      | 021-32299-90 | GASKET                | 1        | 1         | 1            |               |                     |

**EX2650LH**  
**CS-246.4 C, CS-246.4CBC**

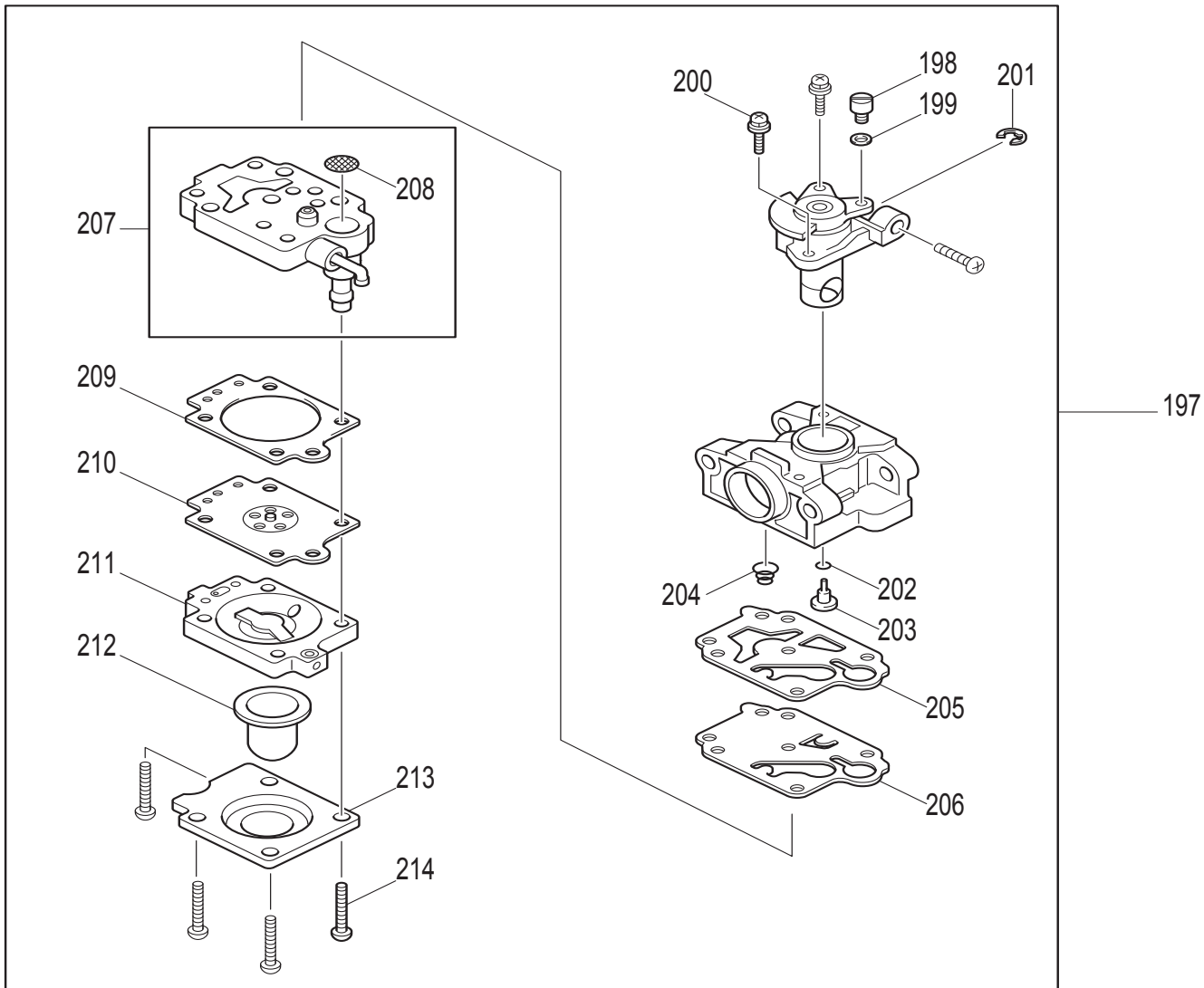
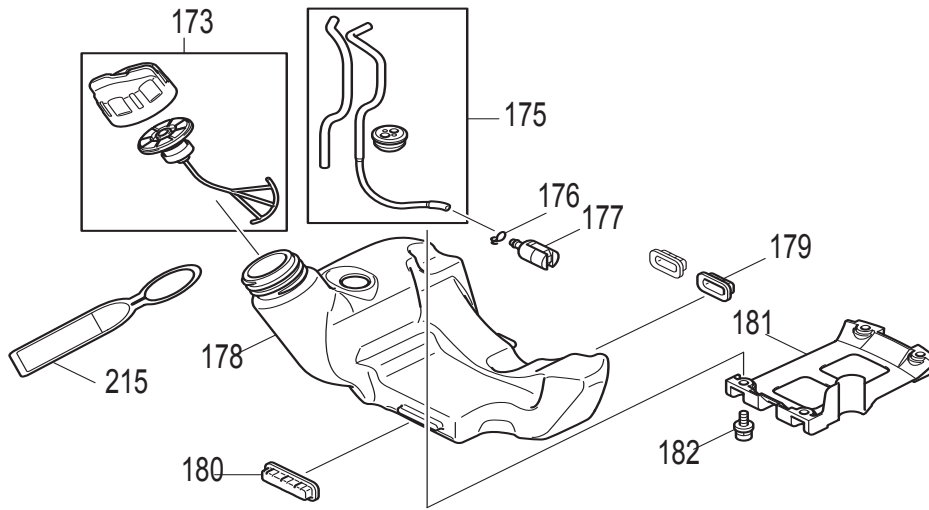
**6**

**Oil Tank, Crankshaft, Piston,  
 Valves**

Products with multiple versions are listed in subsiding order with the newest version on top not indented.

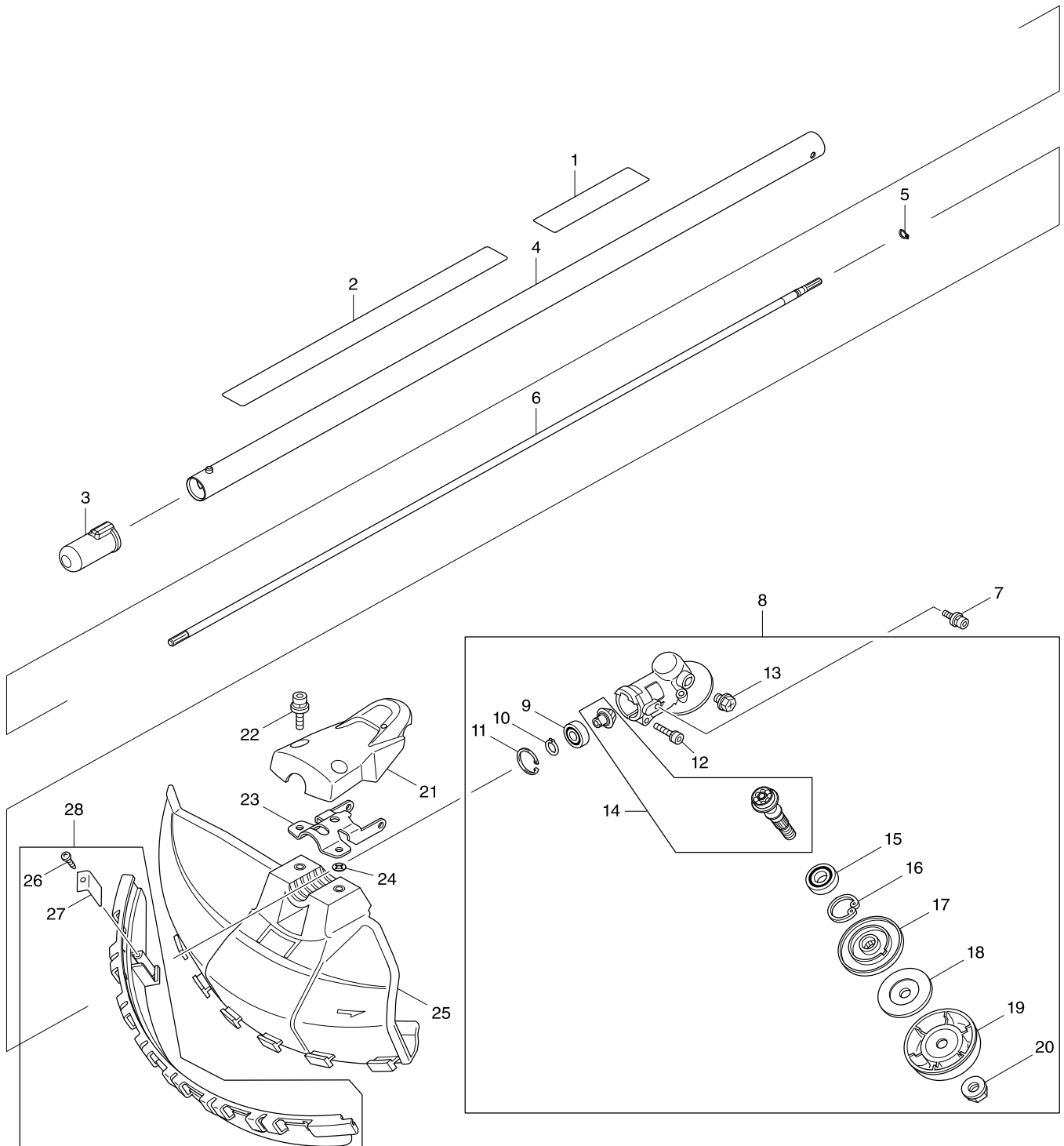
| Section | Fig. No. | Part No. | Description        | EX2650LH | CS-246.4C | CS-246.4C/BC | Tech Bulletin | Notes |
|---------|----------|----------|--------------------|----------|-----------|--------------|---------------|-------|
| 6       | 171      | 452048-2 | OIL PIPE           | 1        | 1         | 1            |               |       |
| 6       | 172      | 922218-2 | H.S.H.BOLT WITH WR | 2        | 2         | 2            |               |       |
| 6       | 235      | 453862-9 | OIL CASE PLATE     | 1        | 1         | 1            |               |       |





Products with multiple versions are listed in subsiding order with the newest version on top not indented.

| Section | Fig. No. | Part No. | Description                | EX2650LH | CS-246.4C | CS-246.4C/BC | Tech Bulletin | Notes |
|---------|----------|----------|----------------------------|----------|-----------|--------------|---------------|-------|
| 7       | 173      | 125728-0 | FUEL TANK CAP ASSEMBLY     | 1        | 1         | 1            |               |       |
| 7       | 174      | 451739-2 | FUEL TANK CAP              | 1        | 1         | 1            |               |       |
| 7       | 175      | 168775-8 | TUBE COMPLETE              | 1        | 1         | 1            |               |       |
| 7       | 175      | 168755-4 | TUBE COMPLETE              | 1        | 1         | 1            |               |       |
| 7       | 176      | 282020-8 | HOSE CLAMP                 | 1        | 1         | 1            |               |       |
| 7       | 177      | 163518-3 | GASOLIN FILTER             | 1        | 1         | 1            |               |       |
| 7       | 178      | 123419-7 | FUEL TANK                  | 1        | 1         | 1            |               |       |
| 7       | 178      | 454010-3 | FUEL TANK                  | 1        | 1         | 1            |               |       |
| 7       | 178      | 452249-2 | FUEL TANK                  | 1        | 1         | 1            |               |       |
| 7       | 179      | 424080-6 | VIBRATION DAMPER           | 2        | 2         | 2            |               |       |
| 7       | 180      | 424081-4 | VIBRATION DAMPER           | 1        | 1         | 1            |               |       |
| 7       | 181      | 451737-6 | TANK GUARD                 | 1        | 1         | 1            |               |       |
| 7       | 182      | 922218-2 | H.S.H.BOLT WITH WR         | 4        | 4         | 4            |               |       |
| 7       | 215      | 810455-9 | CAUTION PLATE              | 1        | 1         | 1            |               |       |
| 7       | 197      | 168762-7 | CARBURETOR                 | 1        | 1         | 1            |               |       |
| 7       | 198      | 325922-6 | SWIVEL                     | 1        | 1         | 1            |               |       |
| 7       | 199      | 413140-9 | WASHER                     | 1        | 1         | 1            |               |       |
| 7       | 200      | 266581-6 | PAN HEAD SCREW             | 2        | 2         | 2            |               |       |
| 7       | 201      | 257964-1 | STOP RING                  | 1        | 1         | 1            |               |       |
| 7       | 202      | 213538-8 | O RING                     | 1        | 1         | 1            |               |       |
| 7       | 203      | 325985-2 | JET                        | 1        | 1         | 1            |               |       |
| 7       | 204      | 234183-6 | CONICAL COMPRESSION SPRING | 1        | 1         | 1            |               |       |
| 7       | 205      | 442155-9 | PUMP GASKET                | 1        | 1         | 1            |               |       |
| 7       | 206      | 168575-6 | PUMP DIAPHRAGM             | 1        | 1         | 1            |               |       |
| 7       | 207      | 141737-1 | PUMP BODY                  | 1        | 1         | 1            |               |       |
| 7       | 208      | 352010-6 | INLET SCREEN               | 1        | 1         | 1            |               |       |
| 7       | 209      | 442154-1 | METERING DIAPHRAGM GASKET  | 1        | 1         | 1            |               |       |
| 7       | 210      | 168620-7 | METERING DIAPHRAGM         | 1        | 1         | 1            |               |       |
| 7       | 211      | 140438-8 | AIR PURGE BODY ASS'Y       | 1        | 1         | 1            |               |       |
| 7       | 212      | 424314-7 | PRIMER PUMP                | 1        | 1         | 1            |               |       |



# EX2650LH CS-246.4 C, CS-246.4CBC

# 8

## BC-CS Brushcutter Attachment

Products with multiple versions are listed in subsiding order with the newest version on top not indented.

| Section Fig. No. | Part No. | Description                | EX2650LH | CS-246.4C | CS-246.4C/BC | Tech Bulletin | Notes |
|------------------|----------|----------------------------|----------|-----------|--------------|---------------|-------|
| 8 3              | 424434-7 | CAP, BC-CS                 |          |           | 1            |               |       |
| 8 4              | 141010-9 | SHAFT PIPE COMPLETE, BC-CS |          |           | 1            |               |       |
| 8 5              | 961003-8 | RETAINING RING, BC-CS      |          |           | 1            |               |       |
| 8 6              | 326088-5 | SHAFT, BC-CS               |          |           | 1            |               |       |
| 8 7              | 922218-2 | H.S.H.BOLT WITH WR         |          |           | 2            |               |       |
| 8 8              | 126264-9 | GEAR CASE ASS'Y            |          |           | 1            |               |       |
| 8 8              | 126102-5 | GEAR CASE ASS'Y            |          |           | 1            |               |       |
| 8 9              | 210049-4 | BALL BEARING               |          |           | 1            |               |       |
| 8 10             | 961005-4 | RETAINING RING, BC-CS      |          |           | 1            |               |       |
| 8 11             | 962103-7 | RETAINING RING             |          |           | 1            |               |       |
| 8 12             | 922241-7 | HEX. SOCKET HEAD BOLT      |          |           | 1            |               |       |
| 8 13             | 265590-2 | +HEX.BOLT WITH R           |          |           | 1            |               |       |
| 8 14             | 187547-2 | CUTTER SHAFT SET           |          |           | 1            |               |       |
| 8 14             | 188902-1 | CUTTER SHAFT SET           |          |           | 1            |               |       |
| 8 15             | 210115-7 | BALL BEARING               |          |           | 1            |               |       |
| 8 16             | 962106-1 | RETAINING RING             |          |           | 1            |               |       |
| 8 17             | 331861-0 | RECEIVE WASHER             |          |           | 1            |               |       |
| 8 18             | 346660-7 | CLAMP WASHER               |          |           | 1            |               |       |
| 8 18             | 346084-7 | CLAMP WASHER               |          |           | 1            |               |       |
| 8 19             | 168526-9 | SLIDING CUP                |          |           | 1            |               |       |
| 8 20             | 264025-0 | HEX NUT                    |          |           | 1            |               |       |
| 8 21             | 451097-6 | PROTECTOR COVER            |          |           | 1            |               |       |
| 8 22             | 266579-3 | HEX. SOCKET HEAD BOLT      |          |           | 2            |               |       |
| 8 23             | 346073-2 | PROTECTOR CLAMP            |          |           | 1            |               |       |
| 8 24             | 413143-3 | WASHER                     |          |           | 2            |               |       |
| 8 25             | 452260-4 | PROTECTOR                  |          |           | 1            |               |       |
| 8 26             | 266326-2 | SCREW                      |          |           | 1            |               |       |
| 8 27             | 346074-0 | LINE CUTTER                |          |           | 1            |               |       |
| 8 28             | 135398-7 | PROTECTOR EXTENSION ASSY   |          |           | 1            |               |       |