

Features

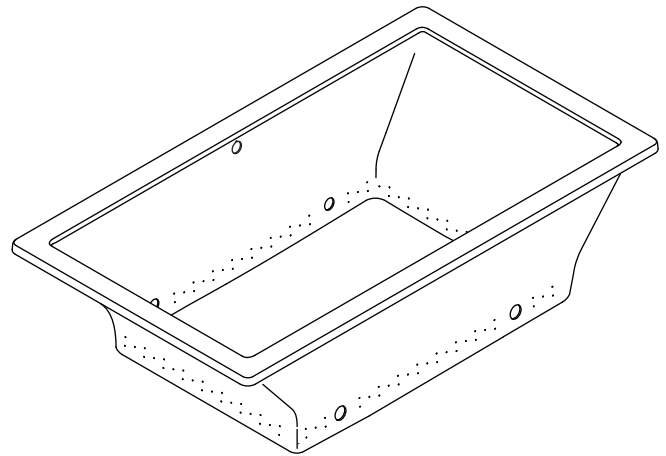
- Acrylic
- Blower motor with 300 W heater and electronic back-lit user control
- 122 BubbleMassage™ airjets
- Zones of Control™ concentrates massage at back, midsection, or feet
- Available with chromatherapy [-GCR]
- 72" (1829 mm) x 42" (1067 mm) x 23" (584 mm)

Codes/Standards Applicable

Specified model meets or exceeds the following:

- CSA B45.5/IAPMO Z124
- IAPMO IGC 171
- ASME A112.19.7
- ASTM E162
- ASTM E662

6' BUBBLEMASSAGE™ BATH K-1174-G ALSO K-1174-GCR



Colors/Finishes

- 0: White
- Other: Refer to Price Book for additional colors/finishes

Accessories

- 0: White
- CP: Polished Chrome
- Other: Refer to Price Book for additional colors/finishes
- NA: None applicable

Specified Model

Model	Description	Colors/Finishes	
K-1174-G	6' BubbleMassage bath	<input type="checkbox"/> 0	<input type="checkbox"/> Other_____
K-1174-GCR	6' BubbleMassage bath with chromatherapy	<input type="checkbox"/> 0	<input type="checkbox"/> Other_____

Required Accessories

K-7271	Clearflo slotted overflow brass bath drain OR	<input type="checkbox"/> CP	<input type="checkbox"/> Other_____
K-7272	Clearflo slotted overflow bath drain – PVC pipe	<input type="checkbox"/> CP	<input type="checkbox"/> Other_____

Optional Accessories

K-592	Undermount kit	N/A		
K-1491	Pillow		<input type="checkbox"/> 0	<input type="checkbox"/> Other_____
K-1601	Footstop		<input type="checkbox"/> 0	<input type="checkbox"/> Other_____

Product Specification

The acrylic BubbleMassage bath shall be 72" (1829 mm) in length, 42" (1067 mm) in width, and 23" (584 mm) in height. Product shall have a blower motor with 300 W heater and electronic back-lit user control. Product shall feature Zones of Control and 122 BubbleMassage airjets. Product shall be available with chromatherapy [-GCR]. BubbleMassage bath shall be Kohler Model K-1174-_____-_____.

UNDERScore®

Optional Accessories (cont.)

K-1705	Remote control	N/A		
K-9498	3" (76 mm) whirlpool keypad trim		<input type="checkbox"/> CP	<input type="checkbox"/> Other_____

Technical Information

Fixture*:	
Bathing well:	
Basin area, bottom	45-3/4" (1162 mm) x 32" (813 mm)
Basin area, top	66" (1676 mm) x 36" (914 mm)
Weight	110 lbs (49.9 kg)
To overflow:	
Water depth	19" (483 mm)
Capacity	139 gal (526.2 L)
* Approximate measurements for comparison only.	
Drop-in cut-out	70-1/2" (1791 mm) x 40-1/2" (1029 mm)

Blower motor/control:	Heater	V	Hz	A
	300 W	220-240	50/60	3

Required Electrical Service

Dedicated circuit required, protected with Class A Ground-Fault Circuit-Interrupter (GFCI) or Residual Current Device (RCD):

Blower motor/control	220-240 V, 15 A, 50/60 Hz
----------------------	---------------------------

Installation Notes

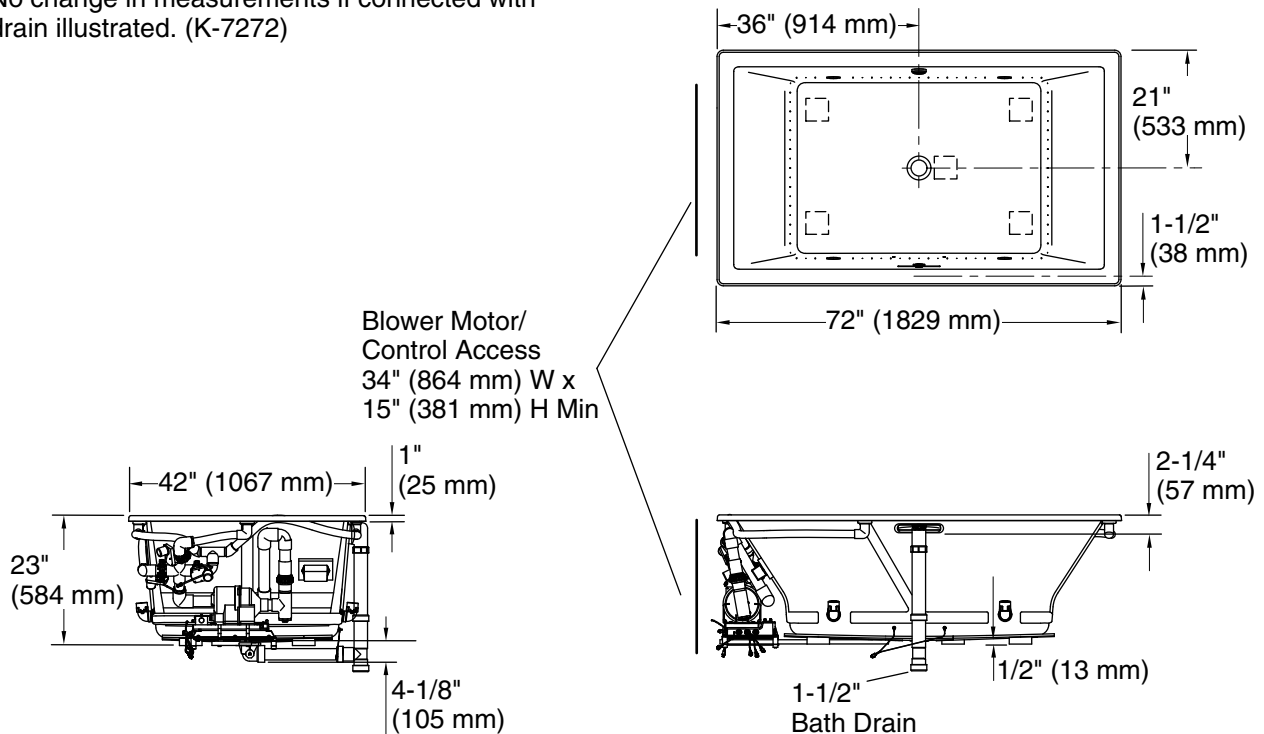
Install this product according to the installation guide.

Floor support under bath must provide for a minimum of 42 lbs/square foot (204 kg/square meter) loading.

Hot water supply should be 70% of capacity or greater. Installations will vary.

A blower motor/control access panel is required.

No change in measurements if connected with drain illustrated. (K-7272)



Product Diagram