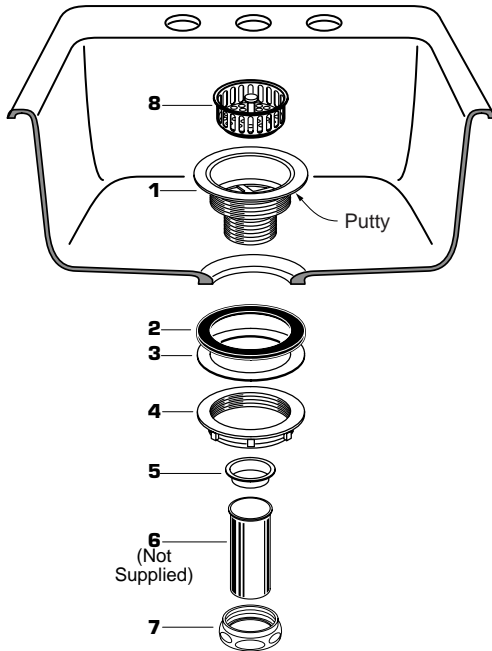


BASKET STRAINER INSTALLATION INSTRUCTIONS



1. Remove all components from Strainer Body (1).

2. Apply a generous amount of plumber's putty to underside of Strainer Flange. Insert Strainer Body (1) through drain hole in sink.

3. Hold Strainer Body (1) firmly in place while installing under the sink the Rubber Washer (2), Friction Washer (3).

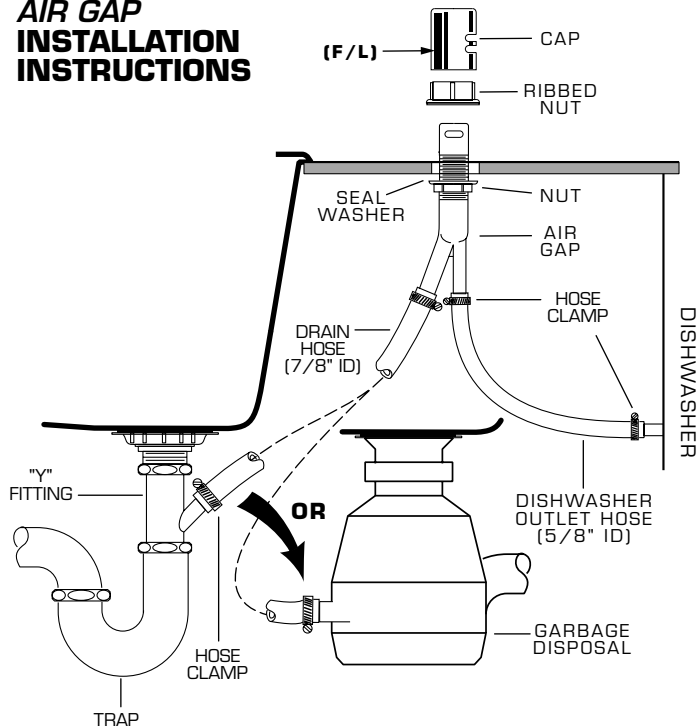
4. Hold Strainer Body (1) from rotating and thread Lock-Nut (4) onto Strainer Body (1) using a basin wrench. Tighten securely.

5. Insert Flanged Tailpiece Washer (5) into Tailpiece (6) (not Supplied) and install Slip nut (7) with boss facing upward, tighten firmly with wrench.

6. Remove excess putty from around Strainer Flange.

7. Drop in Strainer Basket (8).

AIR GAP INSTALLATION INSTRUCTIONS



IMPORTANT

Air gap to be installed that the flood level mark (F/L) shall be at or above the flood level of the sink or other receptacle which may be connected to the sanitary drain into which the air gap discharges.

1. Remove CAP and RIBBED NUT.

2. Insert AIR GAP through sink deck hole, leaving approximately 1/2" of the body threads showing above sink deck. (Back the NUT down if necessary).

3. Thread RIBBED NUT fully onto BODY.

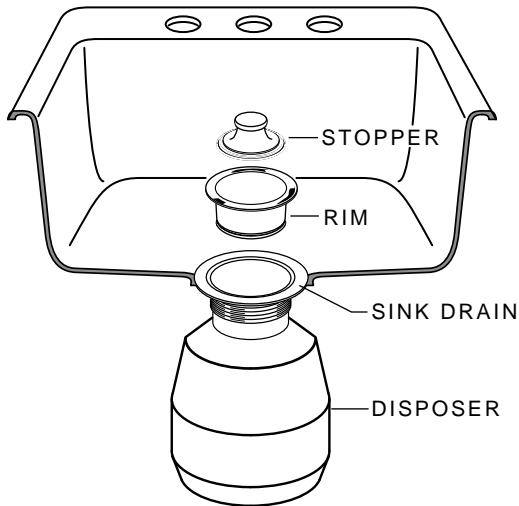
4. Tighten NUT firmly.

5. Snap CAP onto RIB NUT, with the slotted vents facing the wall.

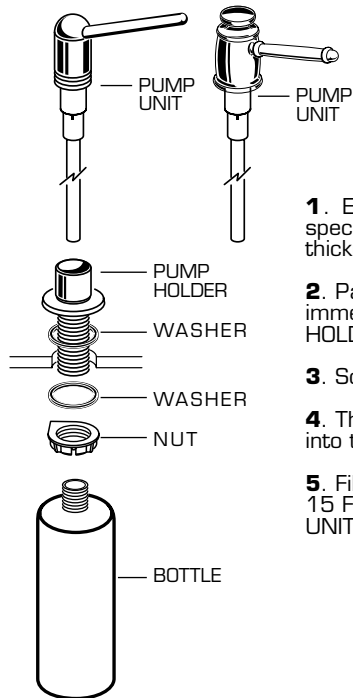
6. Connect DISHWASHER OUTLET HOSE (5/8" O.D.) to AIR GAP inlet (smaller diameter leg) and to DISHWASHER outlet using HOSE CLAMPS.

7. Connect drain hose (7/8" I.D.) to AIR GAP outlet (larger dimension leg) and to "Y" fitting or Disposer using hose clamps.

GARBAGE DISPOSAL RIM & STOPPER INSTALLATION INSTRUCTIONS



- 1.** Push rim into sink drain until rim is seated flush against sink drain.
- 2.** Insert Stopper into Rim.



SOAP DISPENSER INSTALLATION INSTRUCTIONS

- 1.** Either use an existing hole in the sink, lavatory or countertop or prepare one specially. It should have diameter between 1" and 1-1/2". The maximum thickness of the fixture should not exceed 1-1/2".
- 2.** Pass the PUMP HOLDER down through the hole from above with the WASHER immediately above the fixture. From below install the WASHER onto the PUMP HOLDER and screw the NUT onto the PUMP HOLDER.
- 3.** Screw the BOTTLE onto the lower end of the PUMP HOLDER.
- 4.** The PUMP UNIT will already be assembled within the HEAD. Push the TUBE into the lower end of the PUMP.
- 5.** Fill the BOTTLE through the top of the PUMP HOLDER. The BOTTLE holds 15 Fl. oz. and should not be over filled. Then place the assembled HEAD, PUMP UNIT and TUBE into the PUMP HOLDER.