

ella

by ella's bubbles

Representing these model numbers:

03057 L / 03058 R
Deluxe Soaking

03107 L / 03108 R
Elite Soaking

03117 L / 03118 R
Royal Soaking

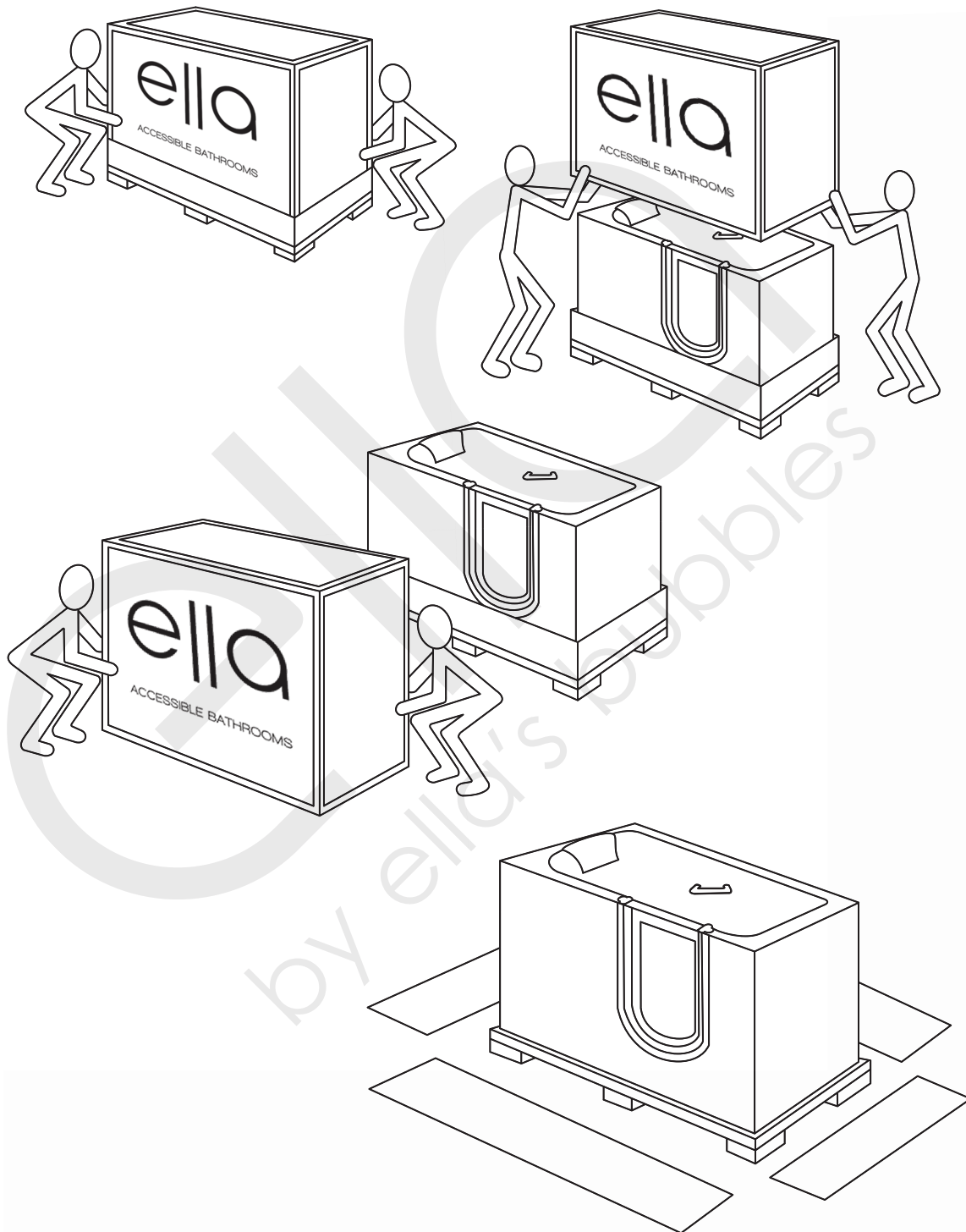
03167 L / 03168 R
Petite Soaking

03085
Companion Soaking



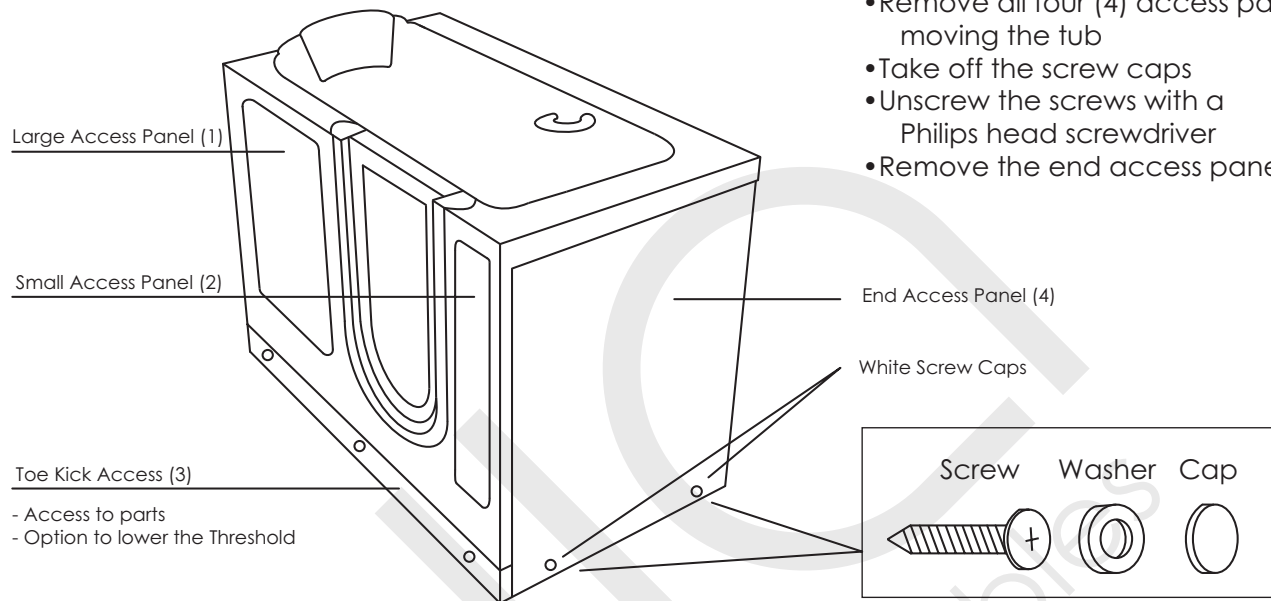
ELLA SOAKING WALK IN BATHS
OWNERS MANUAL

Unpack and Inspect	1
Move your Ella Walk in Bath	2
Important Safety Instructions	3
Before Installation	4
Service Access	5
Door Seal	5
Installation of Deck Mount Grab Bar	6
Installing Extension Kits	7
Finishing Installation	8
Operating Instructions	9
Cleaning and Maintenance	10
Warranty Information	11
Warranty Activation Form	12-13



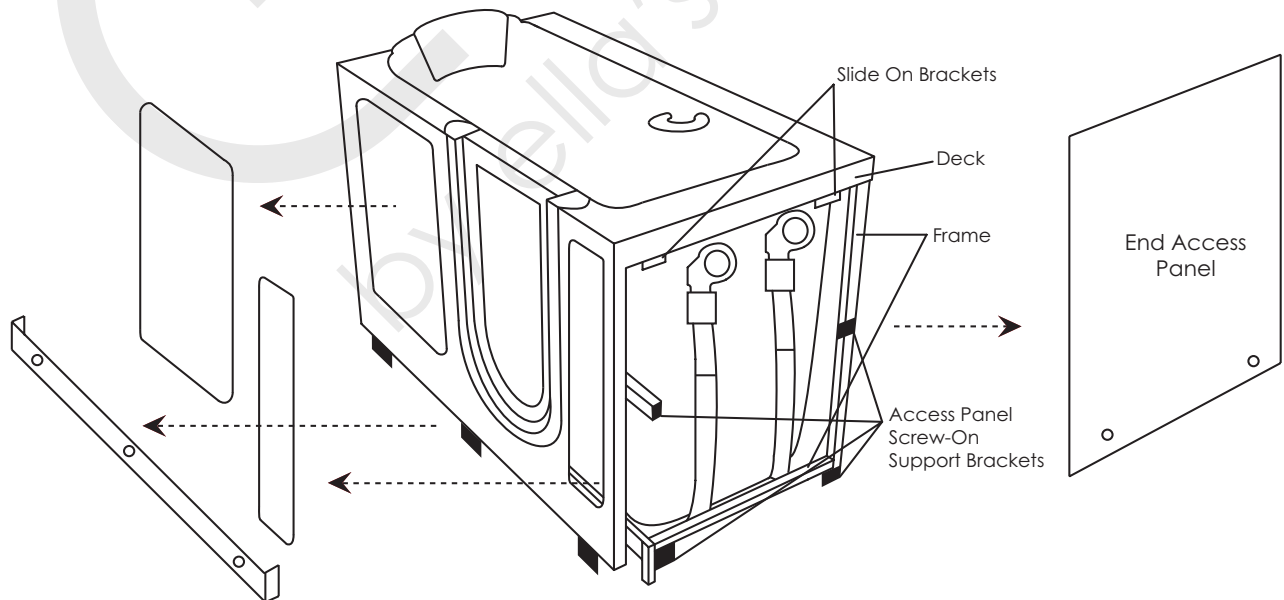
NOTE: Returns are only accepted in original packaging used for shipping. Use caution so as not to damage cardboard crate or its wooden pallet. Do not dispose of shipping material until installation is complete. Please visit our website, www.ellasbubbles.com for complete details of return/exchange policy.

Move your Ella Walk in Bath



- Remove all four (4) access panels before moving the tub
- Take off the screw caps
- Unscrew the screws with a Philips head screwdriver
- Remove the end access panel

WARNING: Do not carry the walk in tub by the panels. Be careful when carrying the tub, avoid front panel contact with the floor or stairs to prevent damages. Make sure no loose parts are hanging down. Remove all four (4) access panels before carrying the tub to prevent them from falling out and breaking.



WARNING: Lift and carry the tub only by the frame. Protect the bottom of the tub to avoid breaking the shell.



Important Safety Instructions

WARNING:

*****Read through the entire manual completely before beginning installation.*****

Contract a licensed plumber and electrician for installation. Be sure you and your contractor are aware and follow all local plumbing and electrical codes. Your Ella Walk in Bath is not intended for outdoor use. Install the tub in accordance with the instructions in the manual. Use ONLY the parts and accessories provided or as recommended by the manufacturer.

CAUTION:

When using this product, basic precautions should always be followed. Read and follow all instructions pertaining to risk of fire, electric shock and injury. Make sure and have your licensed electrician test all connections to the dedicated line, including the GFCI.

Risk of electric shock; Do not permit electric appliances within 3 feet (1.5m) of the tub. I.e.: hair dryers, lamps, phones, radios, televisions, etc.

To reduce the risk of injury, do not permit children or persons with disabilities to use this product unless they are supervised by an able-bodied adult at all times. Never drop or insert any objects into any openings.

DANGER:

Temperature in excess of 100.4 Fahrenheit (38 Celsius) may be harmful to your health. Check and adjust the temperature before use. Consult your physician before using your Ella Walk in Bath if you have a heart condition or other health issues. People using medications, herbal remedies, sleep aids, and/or having adverse medical history should consult a physician before using this product.

Pregnant women should NOT use this product before consulting their physician. Avoid the use of alcohol, drugs or other medications while using your walk in bath.

Be aware, hyperthermia is a risk when raising body temperature. Do not keep body submerged in heated bath for extended periods of time. The symptoms of hyperthermia include an increase in body temperature which can cause dizziness, lethargy, drowsiness and fainting. Avoid using the heated bath after strenuous activity.

Exercise caution while entering and exiting your Ella Walk in Bath.

Protecting the Bath

Cover and protect the bath shell and fixtures from scratches or other damages during the installation and tests. Remove the access panels when moving the Walk in Bath and always lift the bathtub from the frame (Page #2).

Water Test

Fill tub for a minimum of 20 minutes before final in-wall installation to avoid unnecessary repairs or removal.

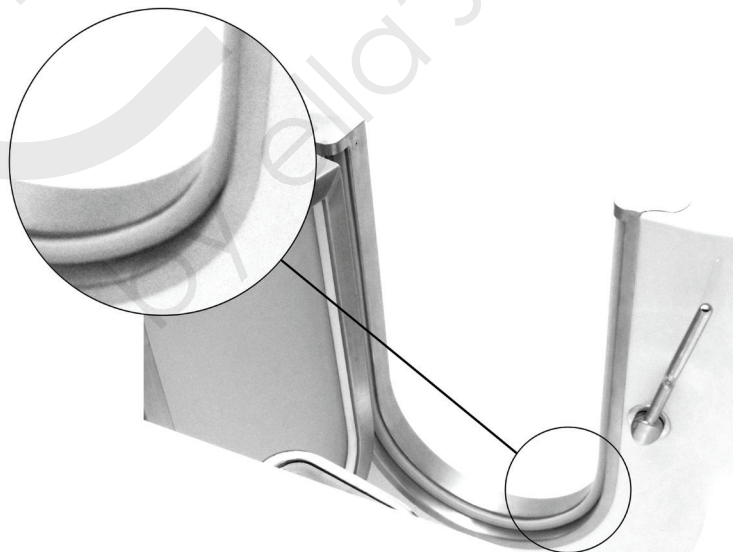
ella
by ella's bubbles

It is the responsibility of the installer or owner to provide access for service required, per code. Ella is not responsible for any costs related to obtaining access for repair. The owner shall assume responsibility for such costs, and if appropriate, must seek recovery from the installer.

Do not insulate around the tub equipment. The tub, frame and all parts have been engineered to provide the proper ventilation. Any obstructions may cause the pumps or other electrical components to overheat.

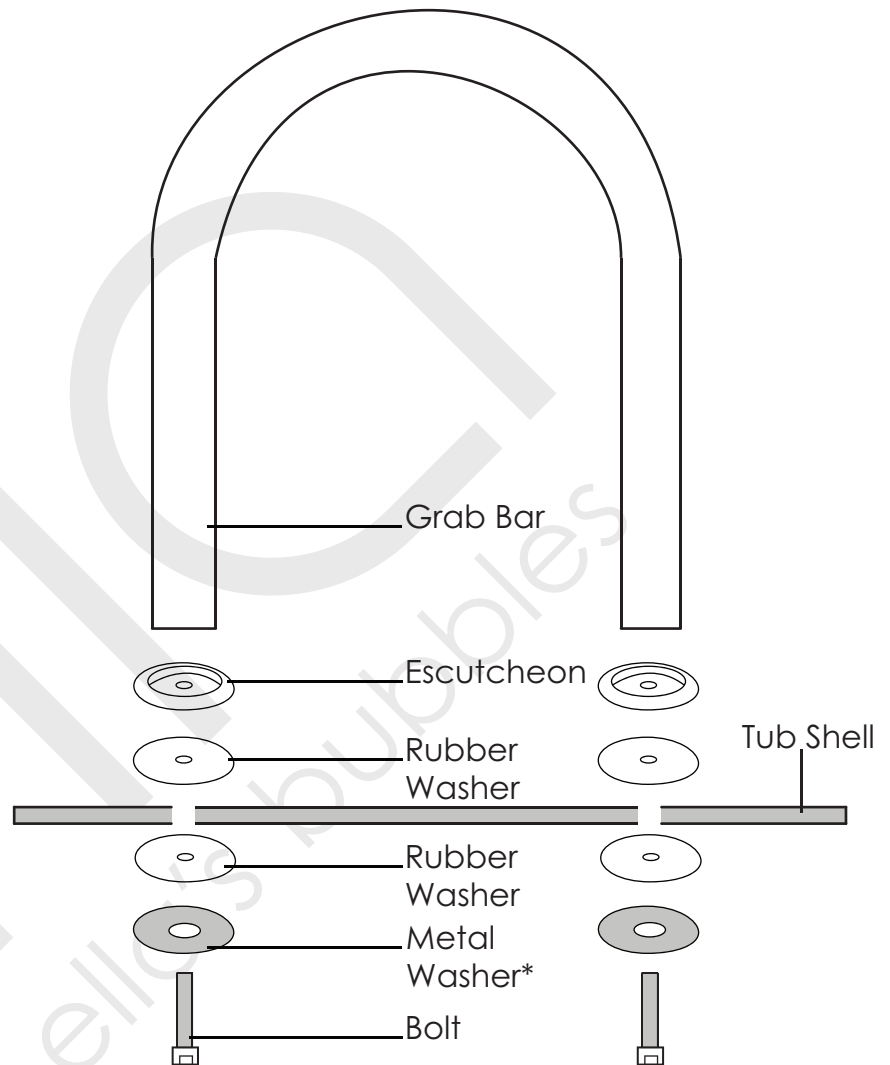
Door Seal

Please keep in mind that the door has been closed for an extended period of time throughout shipping and the bathtub has been stored in various temperatures. It is possible for the silicone seal to stick to the frame when stored for extended periods of time. When the bathtub is received, the door seal should be checked for deformations from shipping and re-formed and adjusted where necessary. To restore the door seal, the seal must be released and allowed to relax with the door open. This is done by squeezing the seal with your finger tips and pulling it away from the door frame to regain its flexibility and original form. It is recommended that the door be kept open when not in use to increase the lifetime of the door seal and maintain its flexibility.



Installation of Deck Mount Grab Bar

- Parts List: Chrome grab bar x (1)
Escutcheon x (2)
Rubber washers x (4)
Metal washers x (2)
Bolts x (2)



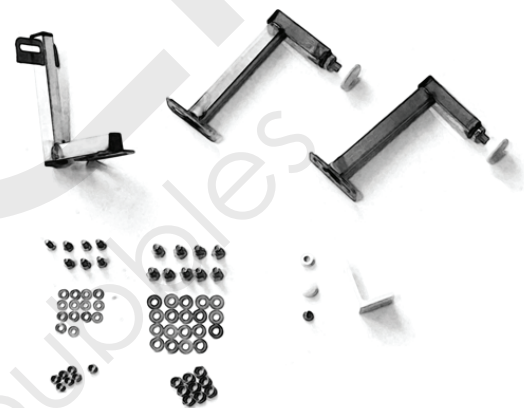
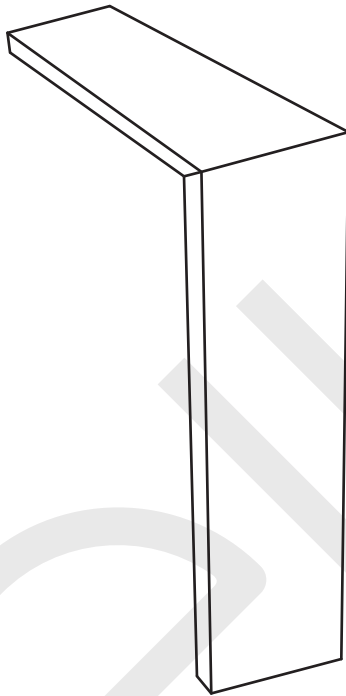
To install the supplied grab bar first locate all the parts needed for installation. See drawing shown above. Ready the bolt assembly by first placing a metal washer onto the bolt followed by a rubber washer. Feed the bolt up through the tub shell and place another rubber washer over the extruded bolt followed by the escutcheon. You may start the threading into the grab bar to hold the assembly loosely in position and then repeat the process for the second bolt. Once the entire assembly is in place, tighten the bolts with the supplied Allen wrench.

WARNING: Under no circumstances install the grab bar without the large metal washer underneath the tub shell. Doing so will leave the tub shell vulnerable to cracking and **void the warranty.**

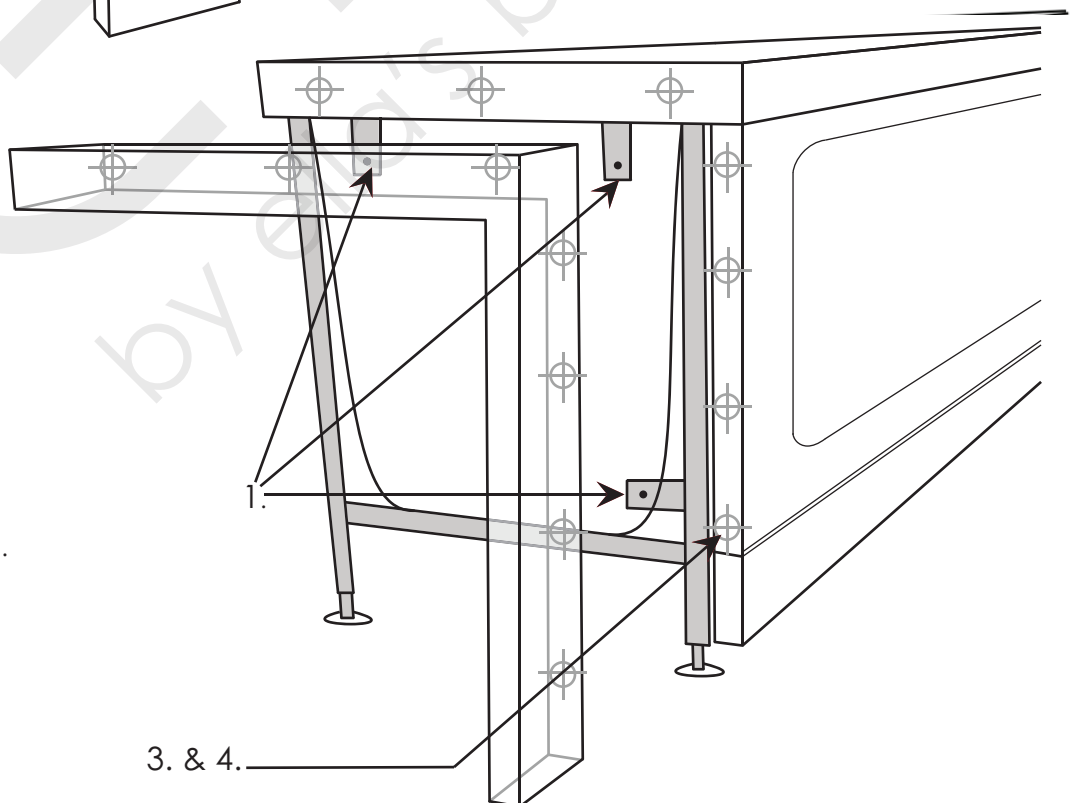
Installing Extension Kits

Deluxe Dimensions: 5"W x 29 1/2"L x 37"H
 Elite Dimensions: 7"W x 29 3/4"L x 37 3/4"H
 Royal Dimensions: 7"W x 31 3/4"L x 37 3/4"H
 Petite Dimensions: 7"W x 27 2/4"L x 37 3/4"H

- L" Stainless Steel BracketsQty (3)
- L" Acrylic BracketQty (1)
- 1" x 1/8" Bolts Qty (7)
- 1" x 1/4" Bolts Qty (7)
- 1" Screw Qty (1)
- 1/2" NutsQty (9)
- 3/8" NutsQty (7)
- Medium WashersQty (14)
- Small WashersQty (14)
- Plastic WasherQty (1)
- Plastic CapQty (1)

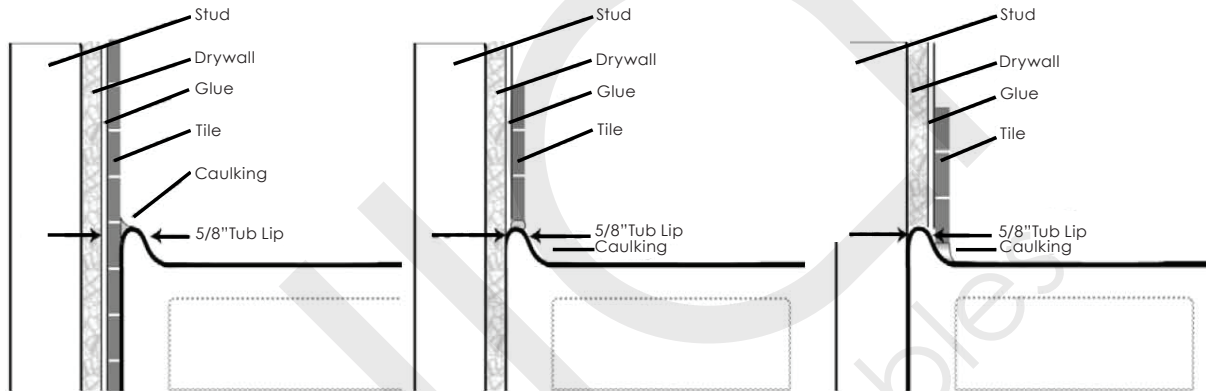


1. Install 3 extension support brackets provides in the kit.
2. Clamp in place, the extension panel to the walk in tub shell, lining up the facade of top and front.
3. Pre-drill (+3/8") slightly wider holes than mounting screws to allow for final adjustment to the panel.
4. Mount extension with 7 screws, washers and bolts.
5. Apply Silicone or white caulking as needed.



The extension kit can be installed as needed. Opening can be filled as desired.

After all of the water and electrical testing is completed and all fixtures are checked, the tub can be installed to the surrounding wall or walls. Ella Walk in Baths come with low rise tile flange which allows for two or one wall installations. The extension panel of the bathtub can be installed as needed for 60" openings.



The tub can be finished and tiled over as shown in images. Caulking must be applied to joints as needed after the bathtub is installed.

Threshold Lowering Option

Lowering the threshold is an option that can be chosen during installation. Because your Ella Walk in Bath is set up for easy installation, lowering the threshold requires the drain option to be set up below the floor (Page #6). To lower the Walk in Bath threshold; First, remove the toe kick panel to expose the adjustable leg supports. Adjust the height of the tub while keeping the Walk in Bath plumb level on all four corners. Finish the installation with baseboard.



Panel On



Panel Off



Lowered Threshold



Baseboard On (not supplied)

NOTE: Any alterations or installed additions are the responsibility of the installer. Ella Accessible Bathrooms is not responsible for any damage to the unit or for water damage, which could occur due to improper installation.

1. Draining the Walk in Bath:

To drain your Ella Walk in Bath, turn the drain opening clockwise from the down position, upward one half until fully open. Remain in the tub until the water has dropped below the door sill.

2. Exiting the Bath:

Getting out of your Ella Walk in Bath is as easy as getting into it. Wait for the water to drain below the door sill. Unlock the door by using the door handle. Fully open the door first then stand up and exit your Ella Walk in Bath.

NOTE: It is recommended to leave the door fully open when not in use to keep the door sealed fresh and to promote a longer lifetime for the door seal.

3. Using the Door:

Entering the walk in bath, the door can be closed and locked with the handle from a seated or standing position. Do not apply any body weight on the door when entering or exiting the walk in bath. The door hinges are well built and are very durable, however leaning on or applying weight on the door may damage and mis-align the door and create leaks. Such damages are not covered by the warranty. It is recommended to leave the door in the open position when the tub is not used to extend the life of the seal.

Usually, a mild detergent will remove construction debris. More stubborn debris may be removed with denatured alcohol or Clorox Soft Scrub cleaner. Light scratches and dulled areas may be restored to its original luster by polishing the surface with a fine grade automotive type cleaning and polishing compound.

To clean your Ella Walk in Bath, use a mild non-abrasive liquid detergent solution. It is recommended that once a month the tub is flushed. Bath oils, fragrances and salts may be used, but are not suggested. The use of these bath products will require more frequent maintenance cleaning of the tub and its plumbing.

To clean difficult soap scum and bath oil residue, mix water and baking soda in a small bowl, forming a paste. Apply the paste to your acrylic bathtub using a damp sponge. The baking soda will break through soap scum without scratching the acrylic surface. Rinse away the paste after cleaning.



Ella Acrylic Walk In Bath Warranty Information

This limited lifetime warranty is extended to the first purchaser to be free from defects in material under normal use and conditions from the date of the original purchase. This warranty is nontransferable and applies only to the original owner and to the original installation place. This warranty does not extend to products previously used as display models or products that have been used or handled by anyone else but Ella's Bubbles. The warranty is void if the ownership or original installation location (tub is relocated). This warranty relates to all fittings and components included with the product by the manufacturer. The bathtub shell, frame, door seal, and finish are covered by limited lifetime warranty. The door is covered by a limited lifetime warranty under normal use and conditions. All supporting components, including pumps, fixtures, electronic controls, faucet, waste, overflow, and all plated finishes, are covered by a (5) year warranty. This warranty is nontransferable and applies only to the original owner. This warranty does not apply to fading, cracking, delaminating or blistering due to excessive wear, sun fading, or harsh cleaning. This warranty shall not apply to any failure resulting from negligence, abuse, misuse, alteration, or modification or improper maintenance. The door warranty is valid only if the door is not changed by applying pressure or user's weight hold user's weight to the door or by using the door is designed to hold its own weight and not designed to hold user's weight. Should there be any reason of any defect or malfunction of the product during the first five years, Ella's Bubbles will ship the product to the original customer's address without charge (subject to verification of the defect). Ella's Bubbles will not be liable for any incidental expenses or material charges in connection with the replacement of the product or parts. Delivery time is based on parts availability and location. Product will be sent out immediately. Emailed or mailed photos of defective product and description of the defect.

All mailing notification must be sent via certified mail to:

Ella's Bubbles, LLC.
2101 S. Carpenter Street
Chicago, IL 60608
TOLL FREE: 800-480-6850
Email: warranty@ellasbubbles.com

The Manufacturer will not be responsible for any water damage to structures or property caused by the product, but not limited to manufacturer defect or improper installation. Manufacturer will assume no responsibility for loss of the system, inconvenience due to loss, damage to real or personal property or any other damage. Manufacturer will not be liable for any incidental expenses or material charges for removal or replacement of the purchased part or any part or parts of the system. This warranty does not cover any type of failure resulting from negligence, abuse, misuse, misapplication, improper installation, modification, chemical corrosion or improper maintenance. There will be a charge for replacement of the entire electrical unit of the defective unit is returned for any of the reasons listed above. Ella's Bubbles reserves the sole authority to make any type of warranties or representations concerning the product.

INSTALLER'S INFORMATION

Name

Address

City

State

Zip

Telephone

Email

Date

Signature

Upon completing the installation of an Ella Walk In Bath, the following Warranty Activation Form must be completed, signed by both the customer and installer, and returned to Ella's Bubbles, LLC. In order for the Warranty to be activated (faxed, scanned, or emailed, or hard copy mailed).

To be initialed by the installer(s)

- ____ Tub is level in all directions and all support legs are touching the ground.
- ____ Tub is installed on a dedicated 30 Amp GFCI protected circuit using 10 gauge wire
- ____ Frame of the tub has been properly grounded.
- ____ Door Seal has been cleaning with rubbing alcohol to remove any dust or debris left over from construction.
- ____ Temperature Control Valve operated on both hot and cold settings.
- ____ Both diverters function properly.
- ____ Hand Shower functions on all settings without leaking.
- ____ All supply lines have been checked for leaks while both diverters are on.
- ____ Drains open and close properly, and the locking nut has been tightened on both stoppers.
- ____ Door seal is water tight after tub has been filled for a minimum of 20 minutes.
- ____ After running for a minimum of 20 Minutes both the Hydro and Air Pumps are functioning properly and all connections to the pumps and jets are water tight.
- ____ Chromatherapy Light and the Ozone Sterilization are working properly. (When the Ozone is on by itself it will make a light humming noise).
- ____ All drain fittings have been checked for leaks while the tub is draining.
- ____ Unit is installed with access to both plumbing and electrical connections.

OWNER'S INFORMATION

Name

Address

City

State

Zip

Telephone

Email

Date

Signature

Model: _____ Serial Number: _____

Purchase Date: _____ Purchase Price: _____

Place of Purchase: _____

Contact Name: _____ Phone Number: _____

Copy of sales receipt must be included
with warranty activation forms.

To activate manufacturer's warranty, please complete both pages and use one of the options below to submit.

Via mail: Ella's Bubbles, LLC.
Warranty Department
2101 S. Carpenter St., Chicago, IL 60608

Via fax: 1-312-666-3551

Via email: warranty@ellasbubbles.com