

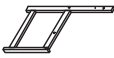













CARE AND MAINTENANCE

Store outdoor furniture indoors or cover well when it is not in use. Dust regularly with small brush or vacuum. Spills should be taken care of immediately before they harden or stain with a slightly dampened sponge.

NOTICE

Please make sure that you have all parts indicated before you begin assembly of this item.

Part List and Hardware List

PIECE	DESCRIPTION	PICTURE	QUANTITY
A	Leg		2x
B	Side		2x
C	Seat		2x
D	Back		2x
E	Rear bar		2x
F	Front bar		2x
G1	Allen nut S	 M6x45	6x
G2	Allen bolt S	 M6x45	4x
G3	Allen bolt L	 M6x70	4x
G4	Allen nut L	 M6x90	2x
G5	Screw	 M4x35	4x
G6	Extra bolt	 M6x50	1x
G7	Allen Key		1x
G8	Wrench		1x

 **SAFAVIEH**
OUTDOOR LIVING

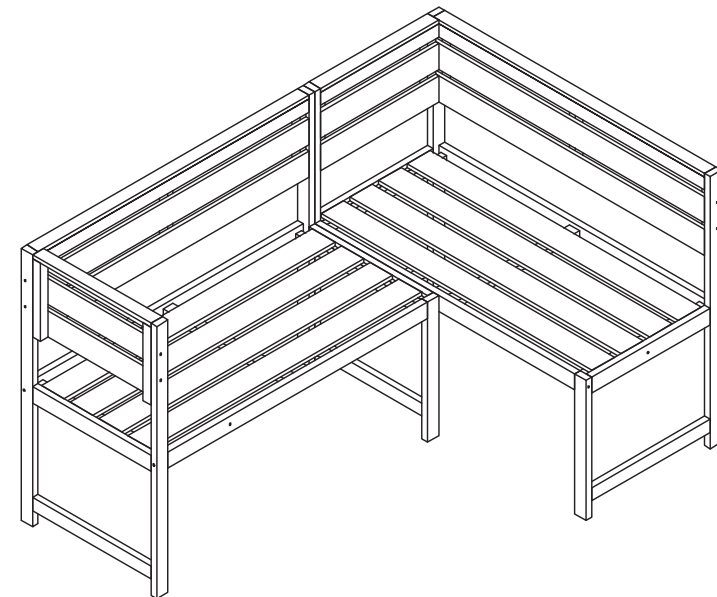
MODEL# PAT6754

Product Dimension: 58.27"W x 39.37"D x 32.87"H

Weight capacity : 600 lbs

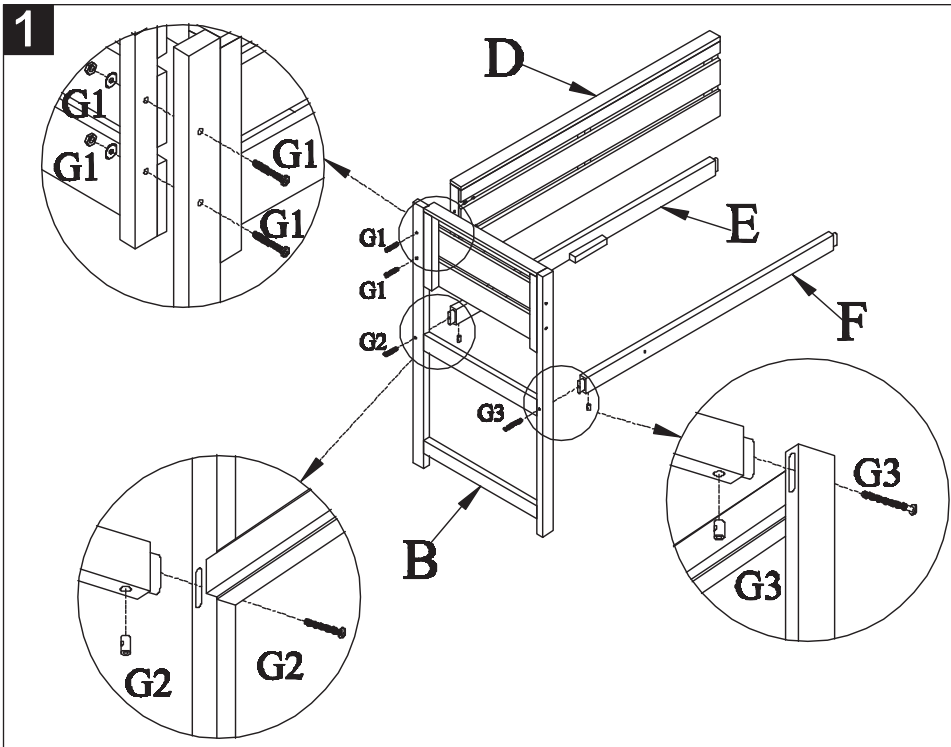
Warning : Do not stand on the bench

Warning : Do not torque bolts / screws

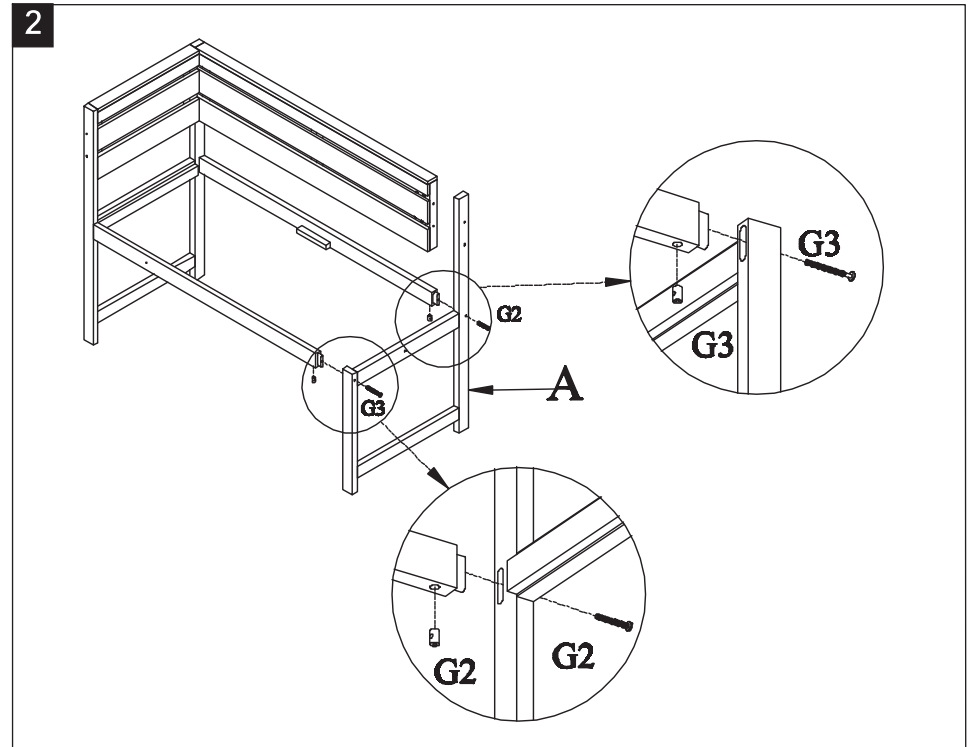


PREPARATION

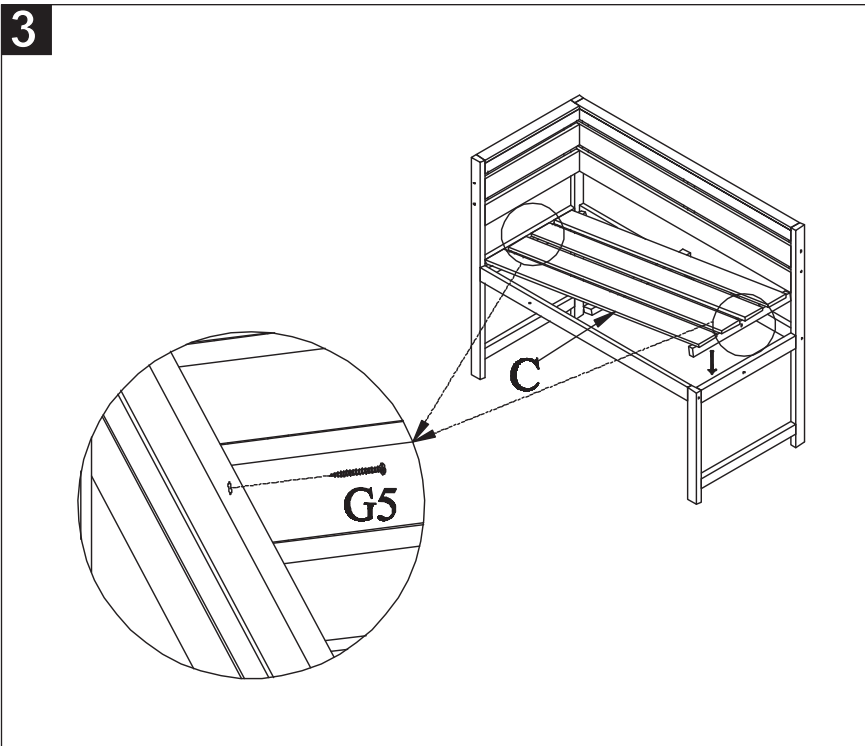
Before beginning the assembly of the product, make sure all parts are present. Compare the parts with the package contents list and hardware contents list. If any parts are missing or damaged, do not attempt to assemble the product. Tool required for assembly (included): Allen Key and wrench.



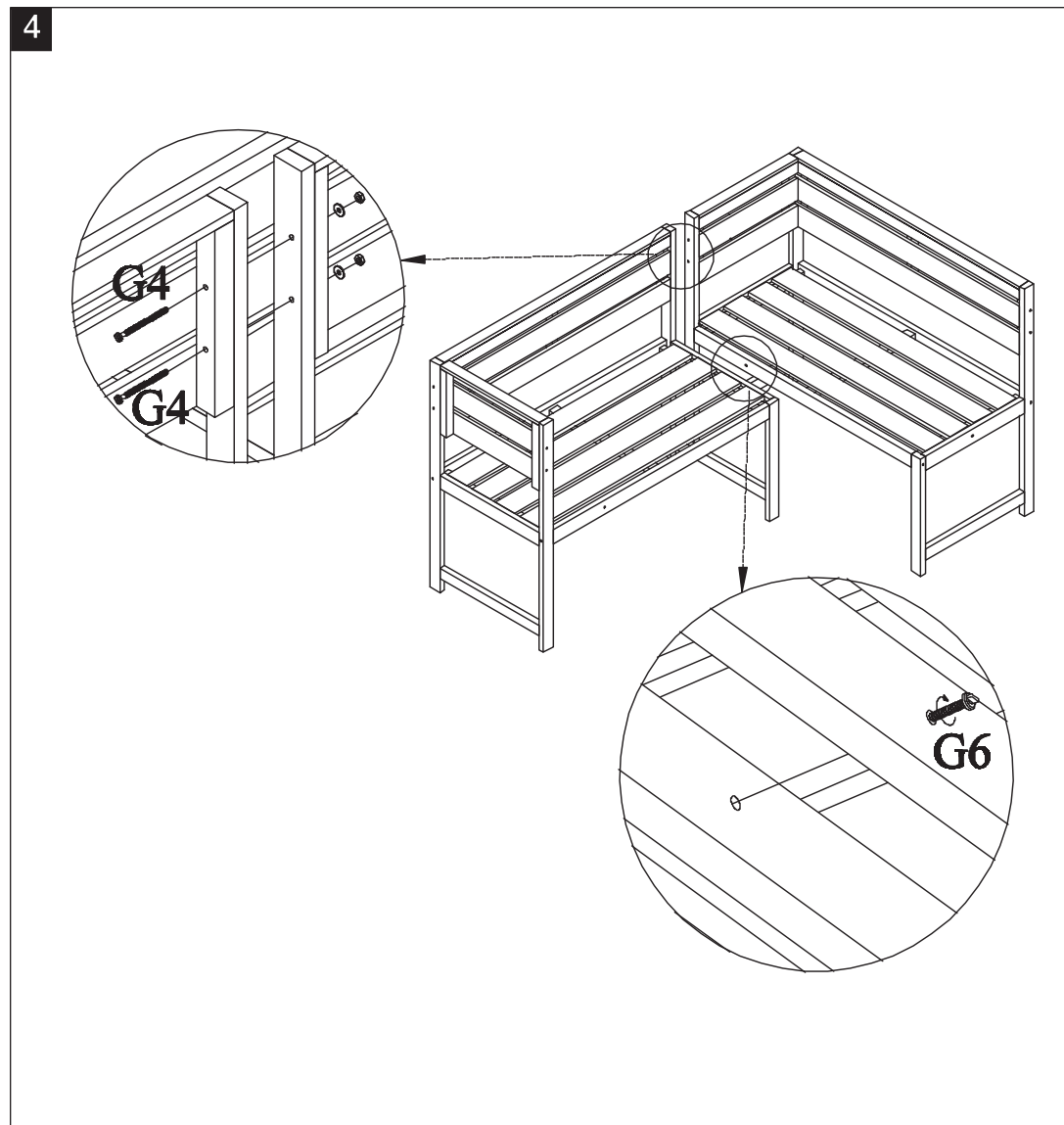
Step 1 : attach the side (B) to the back (D), rear bar (E) and front bar (F) as shown on the picture. Then use the Allen nut S (G1) and the Allen bolt S (G2) to tighten the side (B) to the back (D) and rear bar (E) . Use the Allen bolt L (G3) to tighten the side the front bar (F) as shown on the picture.



Step 2 : attach the leg(A) to the back (D), rear bar (E) and front bar (F) as shown on the picture. Then use the Allen bolt S (G2) to tighten the leg (A) to the rear bar (E) .Use the Allen bolt L (G3) to tighten the leg to the front bar (F) as shown on the picture.



Step 3: put the seat (C) to the bench as shown on the picture. Then use the screw (G5) to tighten the seat (C) to the bench.



Step4 : repeat same step with other bench and connect 2 benches together as shown on the picture. Then use the Allen nut L (G4) to tighten the back together as shown on the picture. Lock 2 benches by turn on the bolt under seat to the hole as shown on the picture.

Remarks: Can change the corner bench from left to right just open the Allen nut (G4) , unlock the nut under seat and replace by the Allen nut S(G1) . Move this bench to the other corner then assembly by the Allen nut L (G4) as shown on the picture. Lock 2 benches by turn on the bolt under seat to the hole as shown on the picture.

CARE AND MAINTENANCE

Store outdoor furniture indoors or cover well when it is not in use. Dust regularly with small brush or vacuum. Spills should be taken care of immediately before they harden or stain with a slightly dampened sponge.

NOTICE

Please make sure that you have all parts indicated before you begin assembly of this item.

 **SAFAVIEH**
OUTDOOR LIVING

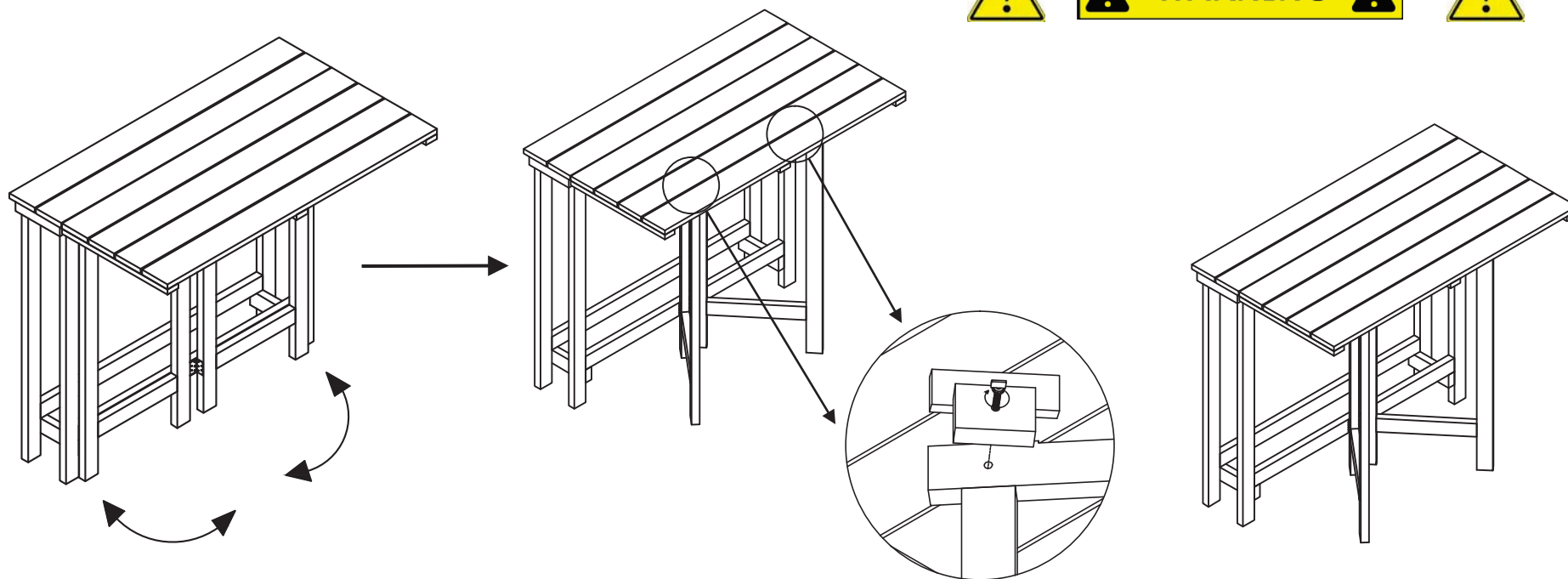
MODEL# PAT6754

Product Dimension: 33.46"W x 19.69"D x 29.13"H

Weight capacity : 40 lbs.

Warning : Do not stand on the table

Warning : Do not torque bolts / screws



Lock the leg to the top by turn on the bolt to the hole as shown on the picture.