

OWNER'S MANUAL

BEST *of* TIMES



SAFETY INFORMATION

In our continuing effort to ensure that your experience with Best of Times™ furniture is positive with regard to comfort, quality design, and safety, please note the following important safety information.

SAFETY WARNING! Use of furniture needing care and maintenance, or use of damaged furniture can result in injury. Also, minor repair issues can become major repair and service issues, and create potential safety issues.

Product Inspection

Periodically and carefully inspect all Best of Times products for breakage and/ or indications of wear. Inspections must include, but not be limited to, the weld areas of product frame, seats and legs. If any cracks should appear on the product or at welds, the item must immediately be removed from service until repaired.

Inspections must include all nuts, bolts (on seating pieces, bar, tables, umbrellas, etc.) and other hardware. Should any loose or missing hardware be detected, the item must be removed from service immediately until the hardware can be properly tightened and/or replaced.

To obtain replacement parts, please contact Best of Times at info@bestoftimesusa.com.

Umbrellas *

**sold separately*

Windy Conditions

SAFETY WARNING! All Best of Times umbrellas must always be closed when taken down in windy conditions.

When not in use

All Best of Times umbrellas should always be closed when not in use.

Stools *

**sold separately*

Best of Times stools for this product are rated for a maximum weight of 400 lbs. Exceeding this weight limit can cause bodily injury.

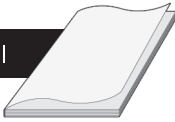
Regular periodic care of your Best of Times Bar will help maintain its appearance and condition. The usage to which your product is exposed can be damaging, so appropriate maintenance is recommended.

Mildew can form and dirt or other substances can be deposited upon the fabric. Regular cleaning of outdoor furniture will help to prevent this.

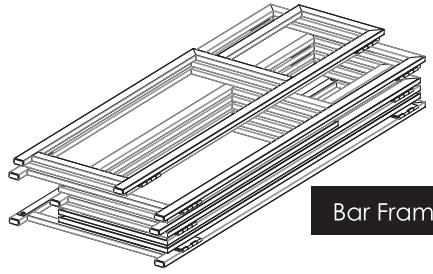
Safety Information	2
Product Inspection	2
Umbrellas.....	2
Stools.....	2
Package Contents.....	4
Assembly Instructions	6
Assembling the Bar.....	6
Assembling the Umbrella	11
Cleaning and Care	15
Frames	15
Painted Finishes.....	15
Table Tops.....	15
Fabric	15
Umbrellas.....	16
Helpful Hints	17
More Information	17

PACKAGE CONTENTS

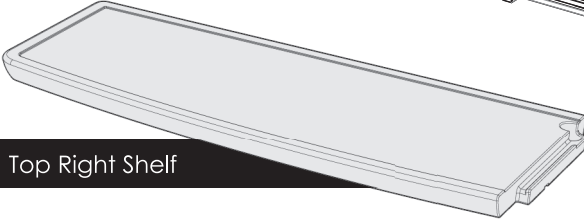
Owner's Manual



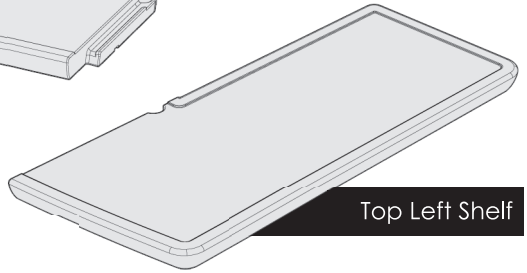
Bar Frame



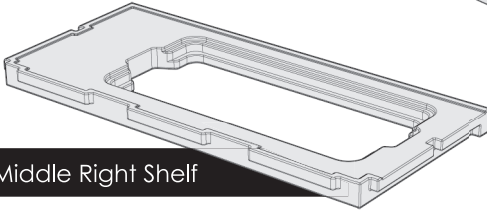
Top Right Shelf



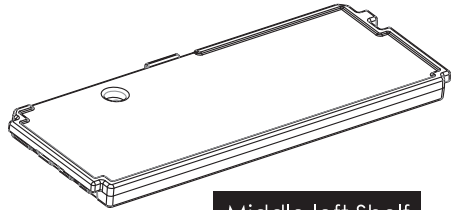
Top Left Shelf



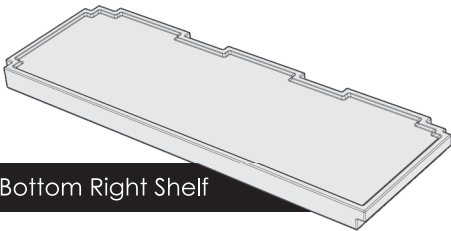
Middle Right Shelf



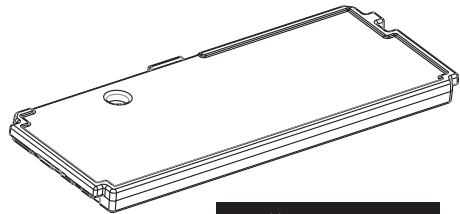
Middle left Shelf



Bottom Right Shelf

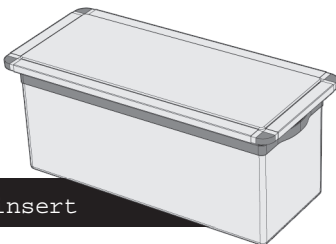


Bottom left Shelf

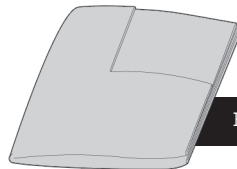


(*middle and bottom left shelves are exactly the same and interchangeable)

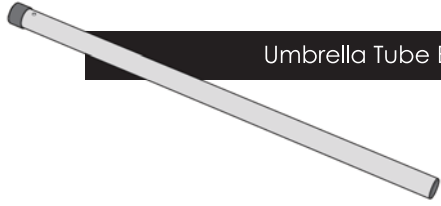
Cooler insert



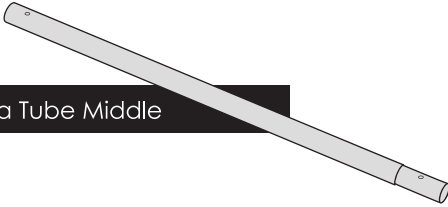
Fabric Wraps



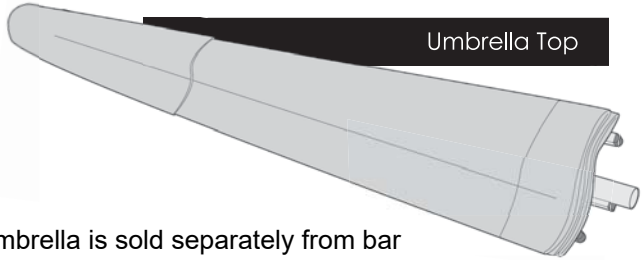
PACKAGE CONTENTS



Umbrella Tube Bottom



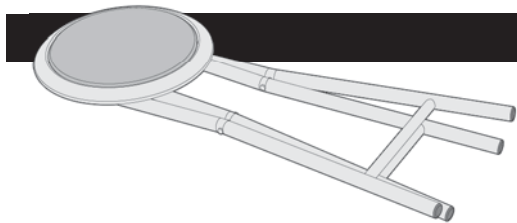
Umbrella Tube Middle



Umbrella Top

*Umbrella is sold separately from bar

*Fabric Umbrella Cover must be assembled onto the frame



Stool

*Stools are sold separately from bar

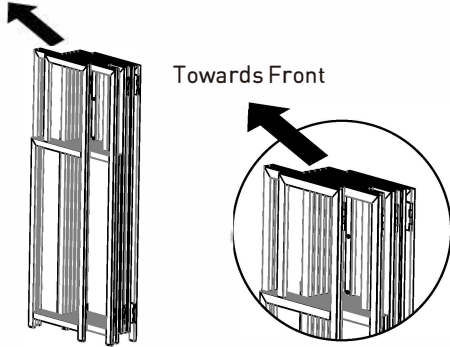
*Fabric Stool Seat Covers must be assembled onto the stools

ASSEMBLY INSTRUCTIONS

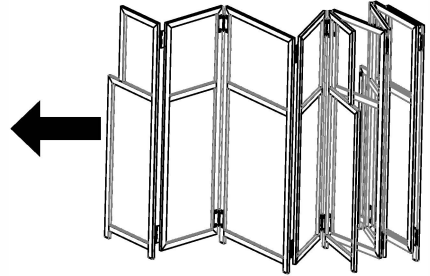
Assembling the Bar

The following illustrations show step by step instructions for assembling the Bar.
Contact Best of Times if you have any questions at info@bestoftimesusa.com/888-499-6737

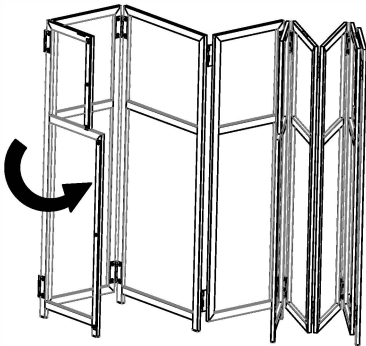
1. Line up bar frame as shown.



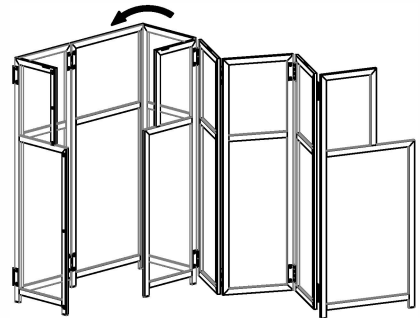
2. Extend the frame to the left.



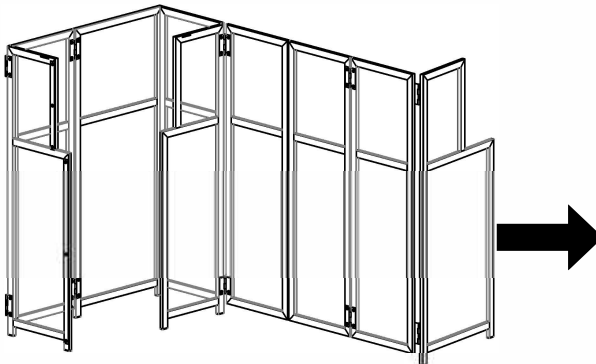
3. Rotate the end panel around 180°



4. Rotate the 3rd panel 90° as shown.

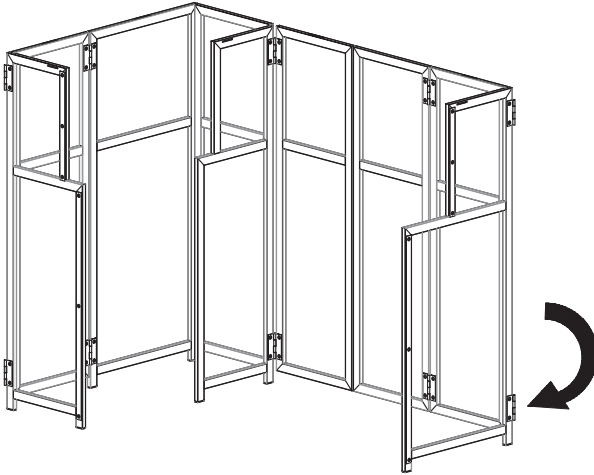


5. Extend and unfold the remaining panels to the right.

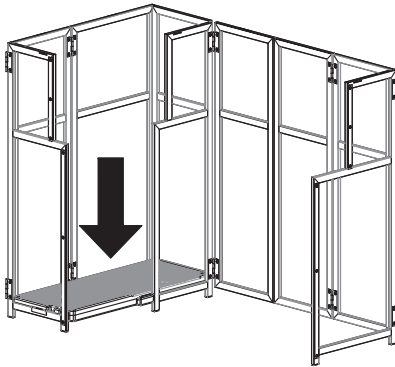


ASSEMBLY INSTRUCTIONS

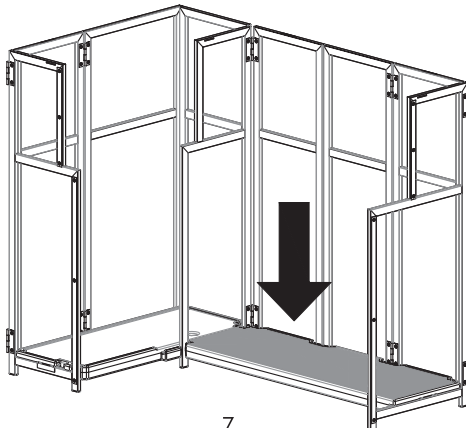
6. Rotate the end panel around 180°.



7. Install the bottom shelf, left.

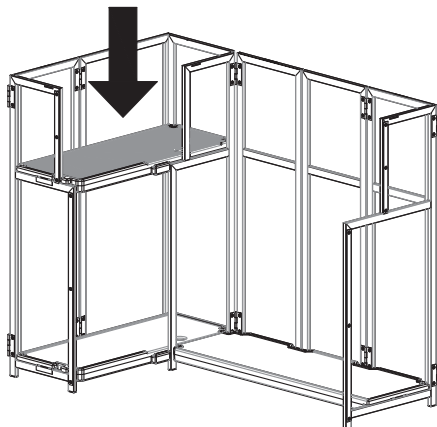


8. Install the bottom shelf, right.

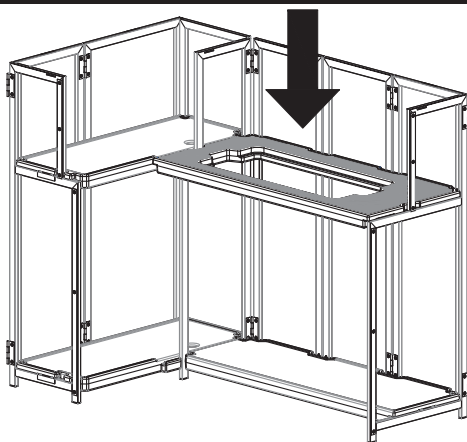


ASSEMBLY INSTRUCTIONS

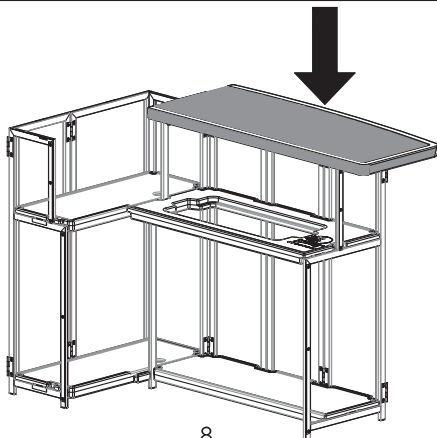
9. Install the middle shelf, left.



10. Install the middle shelf, right.

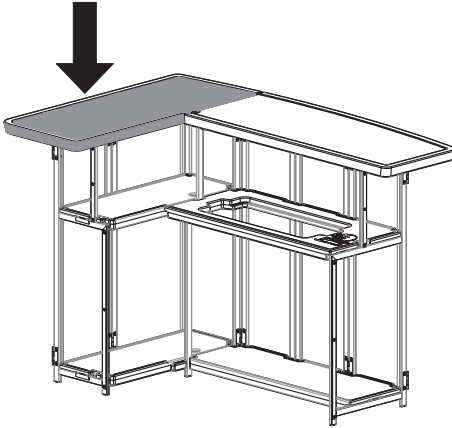


11. Install the top shelf, right.

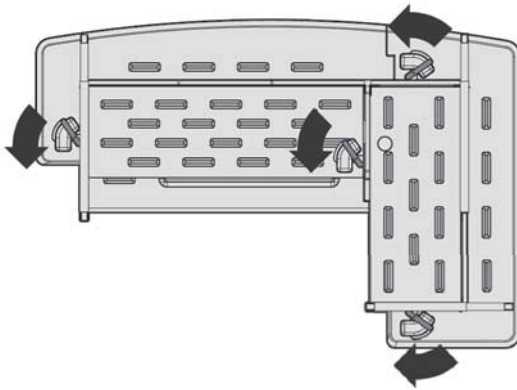


ASSEMBLY INSTRUCTIONS

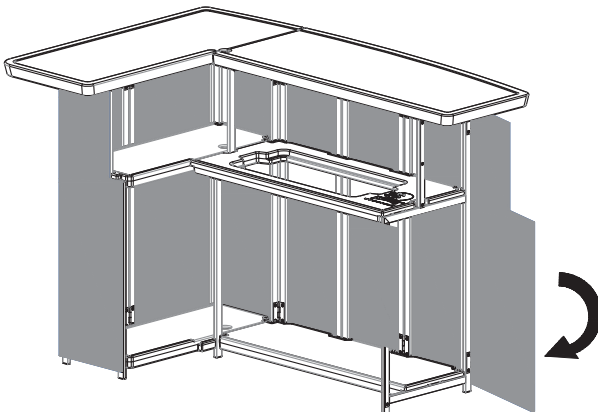
12. Install the top shelf, left.



13. Rotate the locking levers (x4) on the underside of the Top Shelves.

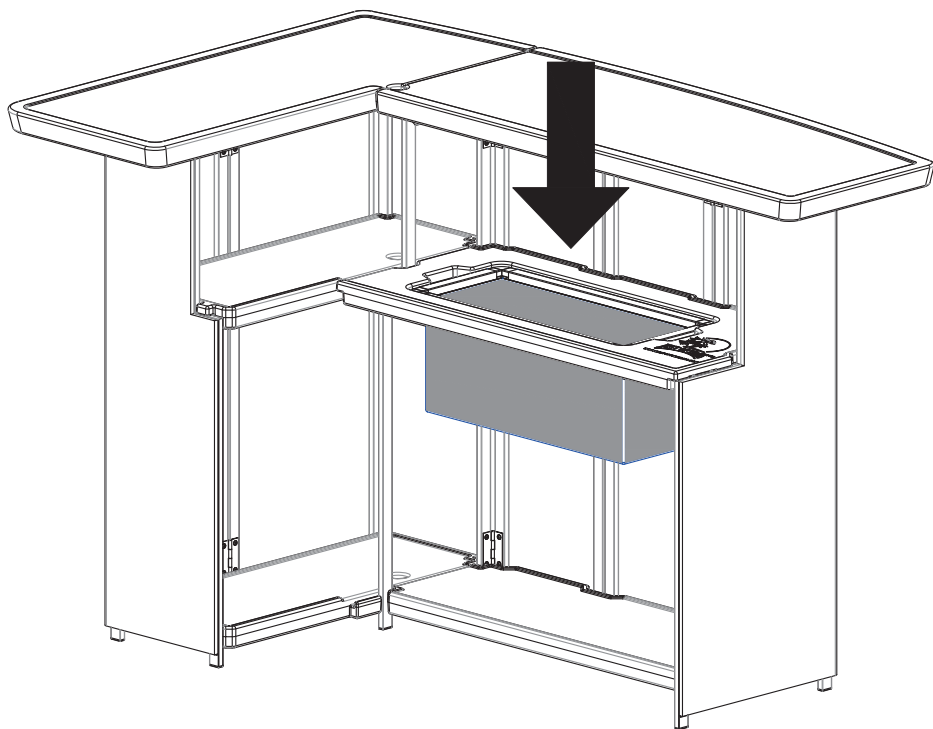


14. Apply the Bar Wrap using the Velcro attachments.



ASSEMBLY INSTRUCTIONS

15. Install the cooler insert into the hole in the middle shelf, right.

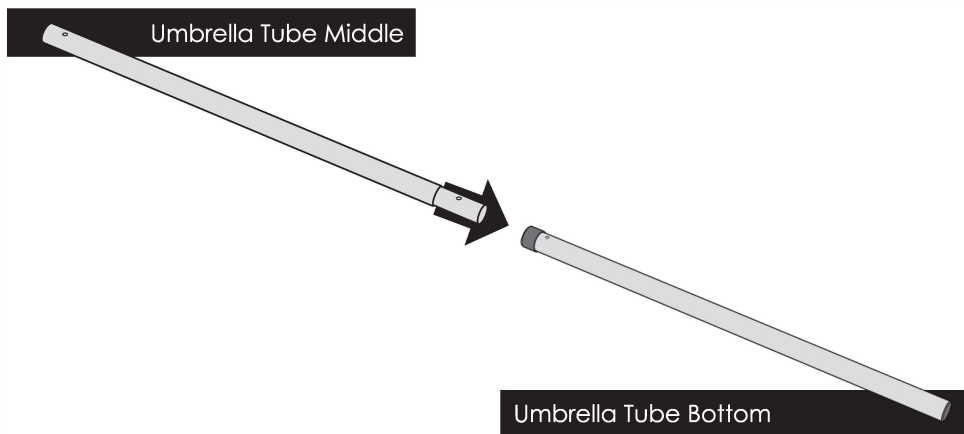


ASSEMBLY INSTRUCTIONS

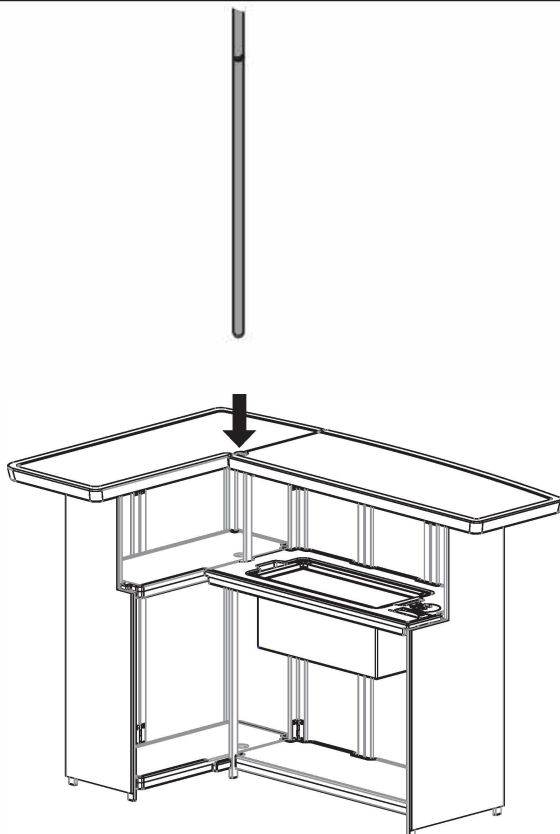
Assembling the Umbrella*

**sold separately*

1. Insert the middle pole into the bottom

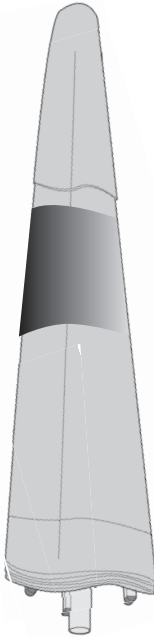


2. Insert the assembled poles into the top, middle, and bottom shelves of the bar.

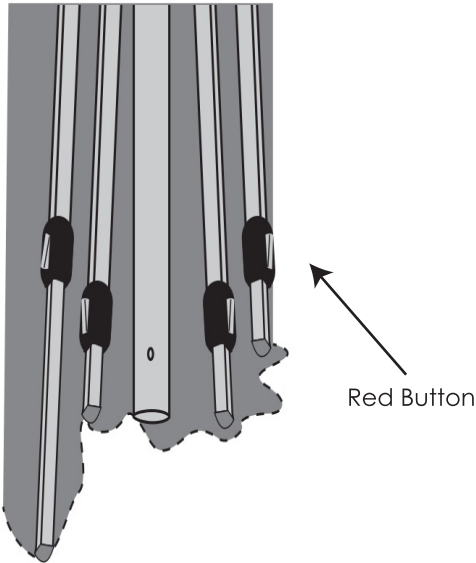


ASSEMBLY INSTRUCTIONS

3. Place the umbrella top frame upright and center the umbrella fabric cover over the frame.

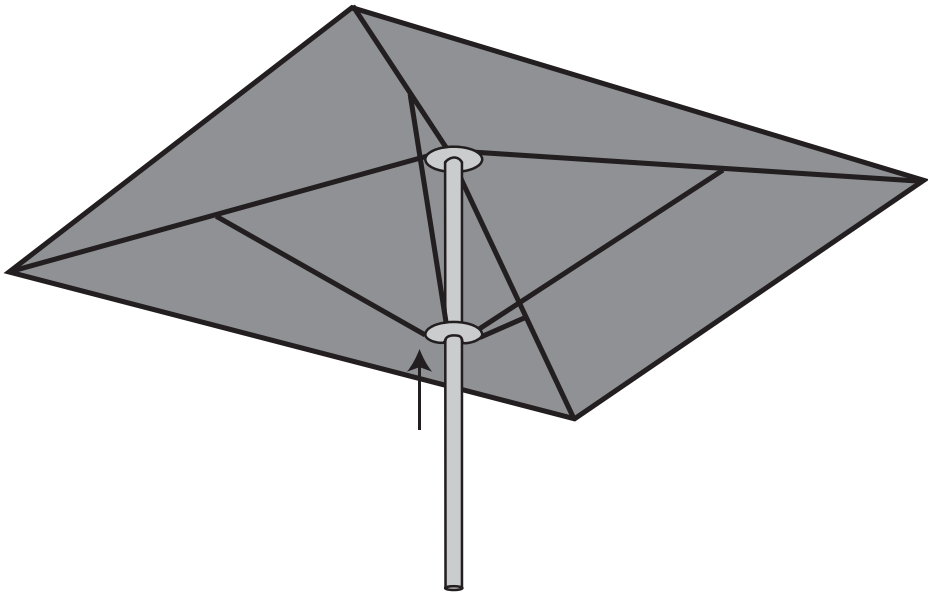


4. Press the red button while pulling gently to extend each rib into each corner pocket of the fabric umbrella cover. Release the button while pulling and the rib will "click" into position when it's the correct length. Repeat for all 4 ribs.



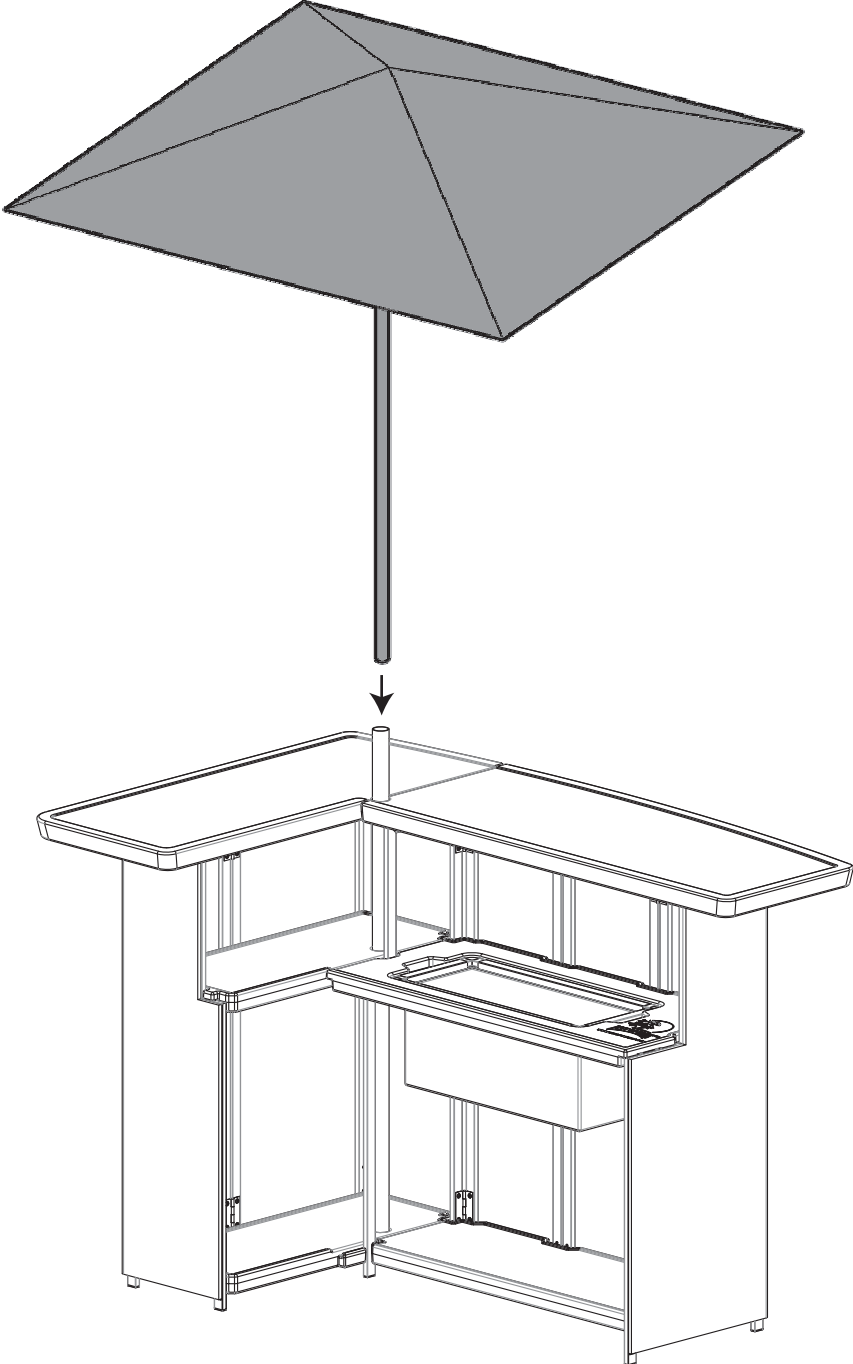
ASSEMBLY INSTRUCTIONS

5. With umbrella still facing upright, start to open the umbrella by pushing up on the runner.



ASSEMBLY INSTRUCTIONS

6. Carefully attach the open umbrella to the pole assembly that was previously inserted into the bar.



CLEANING AND CARE

Regular periodic care of your Best of Times furniture will maintain its appearance and functionality better than occasional, heavy duty maintenance. Consider the specific conditions and usage to which your product is exposed so appropriate maintenance is provided.

Frames

Regularly tighten all hardware to avoid loosening which can lead to bolt failure and product breakage. Replace missing hardware (remove product from service until repaired).

Painted Finishes

Painted finishes are used on aluminum and steel seating, frames, and umbrellas. Periodically clean the finish with a sponge or soft bristle brush using a cleaning solution with 1/4 cup (2oz.) mild soap in a gallon of lukewarm water (100° F / 38° C). Rinse thoroughly. Avoid using abrasive cleaners. For gloss finishes, we recommend periodic waxing of the frame with a high grade automotive paste wax or the use of a commercially available protectant to help maintain and/or restore the luster of the finish. Protectants can be purchased at the most casual furniture retailers.

Caution: In seaside use, salt can accumulate on the finish, leading to finish failure. In indoor pool areas, chlorides can accumulate on the finish, leading to finish failure. In both of these environments, repeated cycles of condensation followed by evaporation cause build-up of these aggressive corrosives. Regular cleaning with mold soap and water, per the above instructions, will remove the concentrated deposits and protect the furniture finish.

Table Tops

Avoid build-up of grease and stains by washing regularly with a nonabrasive sponge or soft bristle brush with a cleaning solution with 1/4 cup (2 oz.) mild liquid soap in a gallon of lukewarm water (100° F / 38° C). To release embedded dirt, use a vinegar and water solution (equal parts each). Rinse thoroughly with clean water.

Fabric

The life of your patio furniture fabric largely depends on its care. Clean all spills promptly. Fabric life can be extended by simply rinsing down the patio furniture regularly with water. Certain suntan and sun block products may permanently discolor any fabric. This possibility can be minimized by immediately cleaning after contact. In addition, storing the wraps and umbrella when not in use will extend fabric life.

CLEANING AND CARE

Prepare a cleaning solution with 1/4 cup (2 oz.) mild liquid soap in a gallon of lukewarm water (no warmer than 100° F / 38° C). Clean fabric with the solution using a sponge or soft bristle brush. Rinse thoroughly with clean water. Allow to air dry.

Caution: Certain suntan and sun block products contain "PABA". PABA is harmful to fabric and can permanently discolor it, therefore, contact with fabric should be avoided. If contact is made, cleaning the fabric immediately with a nonabrasive, mild soap and water solution followed by a fresh water rinse may minimize the possibility of discoloration.

- Do not use a bleach solution unless specifically listed as a cleaning agent for the specific fabric, such as for solution dyed acrylics.
- Do not submerge or allow fabric to lie in standing water.
- Do not put fabric into the dryer.
- Do not use Pine Oil cleaners or abrasive household cleaners.
- Do not use heat or hot water.

If mildew does develop, use mild soap and scrub with a soft bristle brush, then rinse thoroughly. Repeat if necessary. For stubborn mildew stains, use a household mildew remover – test in an inconspicuous location first.

FOLLOW THE MANUFACTURER'S INSTRUCTIONS.

Umbrellas

Always close umbrellas when not in use. All Best of Times umbrellas must always be closed and removed from service in windy conditions to protect umbrellas against damage from inclement weather, and to protect persons from potential injury due to umbrellas toppling or moving in such conditions. If umbrellas become wet, open for a complete airing and make certain they are thoroughly dry before closing.

Occasional lubrication of the moving parts of the umbrella with a silicon lubricant spray is recommended.

Caution: Do NOT get lubricant on fabric or finish.

Fabric

Follow the instructions in the FABRIC CLEANING AND CARE section.

Painted Finish

Care for the finish as noted in the PAINTED FINISHES CLEANING AND CARE section.

HELPFUL HINTS

Regular periodic care of your Best of Times Bar will maintain its appearance and functionality better than occasional, heavy duty maintenance. Consider the specific conditions and usage to which your product is exposed so appropriate maintenance is provided.

Mildew can form on dirt or other substances deposited upon the fabric. Regular cleaning of outdoor furniture will help to prevent its forming.

Please read this booklet carefully and in its entirety. Contact **Best of Times** if you have any other questions or concerns.

Customer Service Email:
info@bestoftimesusa.com

Best of Times, LLC
382 Enterprise Street Suite 101
San Marcos, CA 92078
888-499-6737

www.bestoftimesusa.com

Made in China