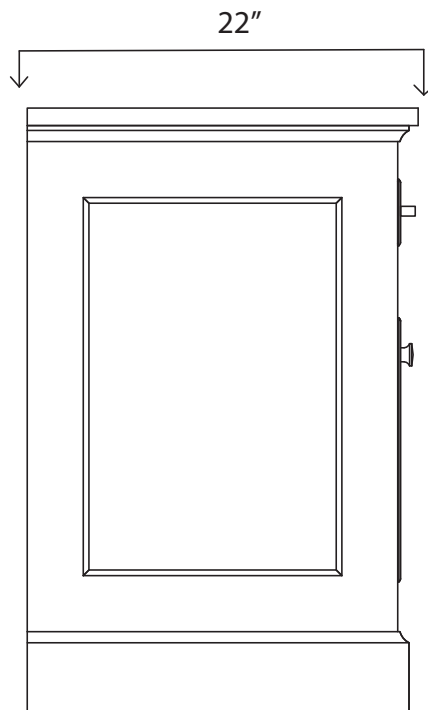
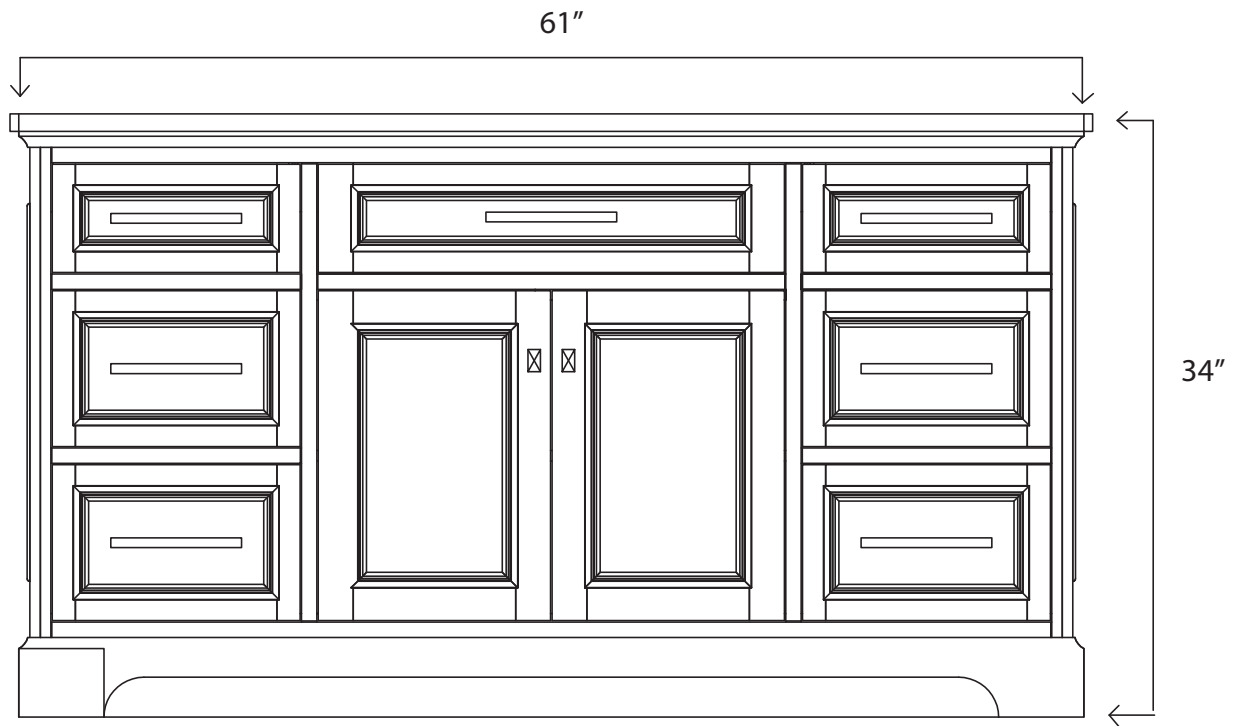


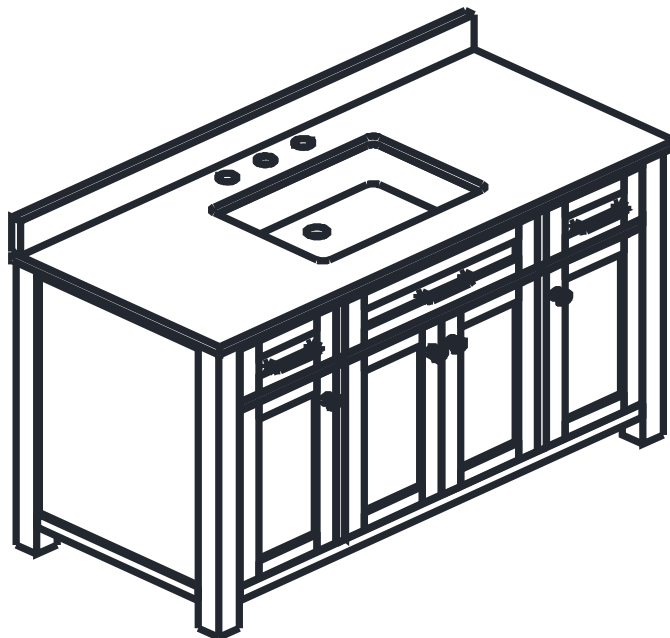
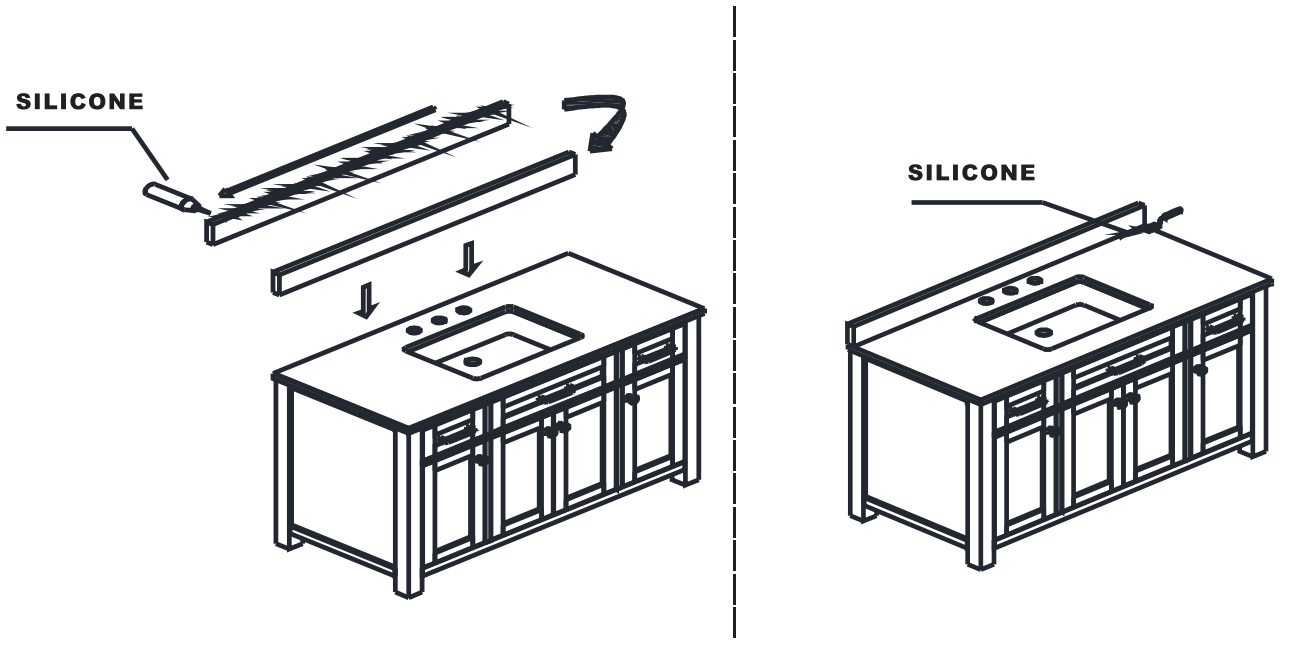
Yorkshire 61 in Single Bathroom Vanity in Carrera Marble Top

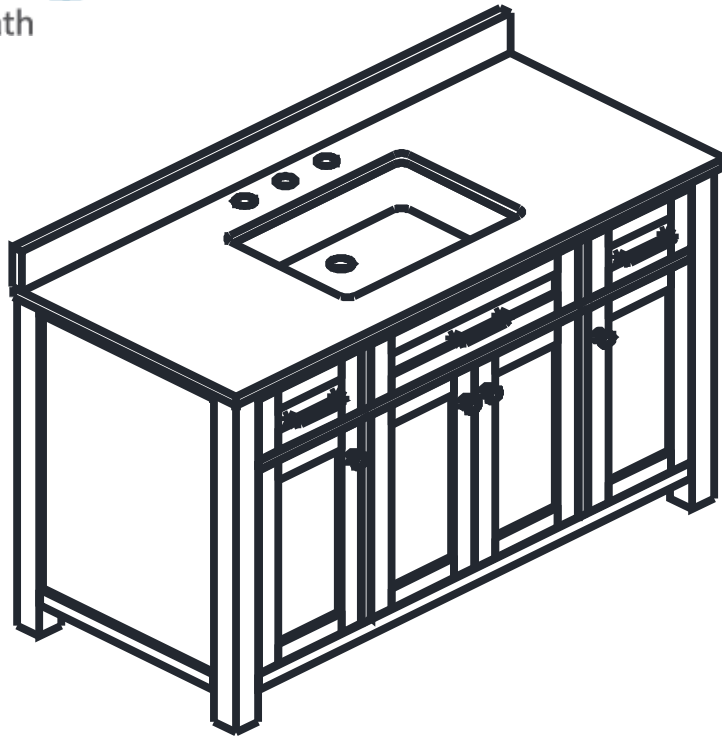


Box Dimensions W: 64" H: 40" D: 25" G.W: 300 LBS

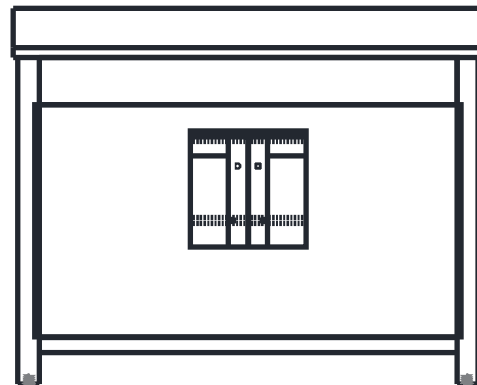
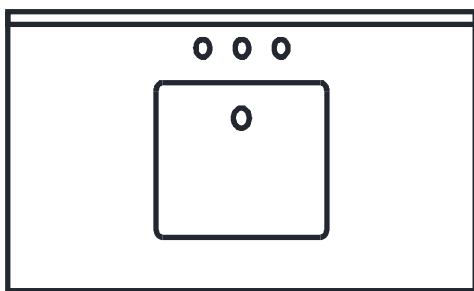
All dimensions and specifications are approximate and subject to change without notice.

## BACK SPLASH INSTALLATION





**\*THE SKETCH IS FOR INSTALLATION ONLY,IT MAY NOT MATCH TO THE PRODUCTS INSIDE THE CARTON.**

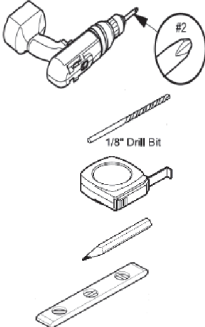

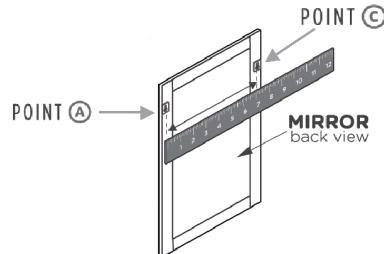
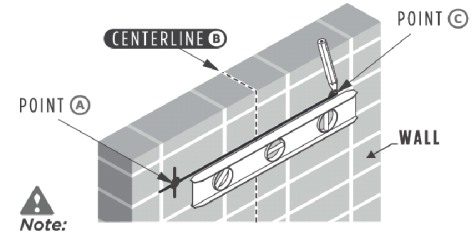
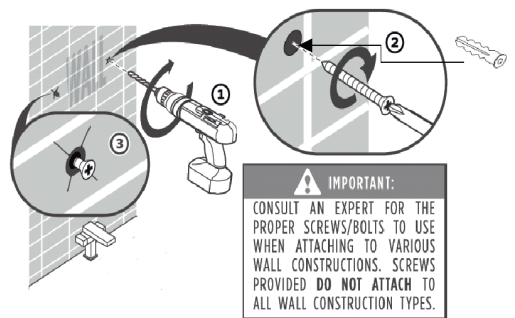


## **Installation Manual**

- .carefully read the instructions before starting the installation.**
- .This vanity should be installed by an experienced plumber.**
- .Drain pipe and drain trap are not supplied. Connect to an existing drain pipe.**

## MIRROR INSTALLATION

\*THE SKETCH IS FOR INSTALLATION ONLY,IT MAY NOT MATCH TO THE PRODUCTS INSIDE THE CARTON.

Tools for Assembly (Not Included)	Supplies (Included in Package)
 <p><b>Electric Drill with #2 Drill Bit</b></p> <p><b>1/8" Drill Bit</b></p> <p><b>Tape Measure</b></p> <p><b>Builder's Pencil</b></p> <p><b>Level</b></p>	 <p><b>Wall Anchor (2pcs)</b></p> <p><b>Screw (2pcs)</b></p>
<p><b>1.</b></p>	<p><b>2.</b></p>
<p><b>Flip the mirror over and measure the distance between point A and C.</b></p> 	<p><b>Mark the measured distance between point A to point C on the wall by using a level.</b></p>  <p><b>Note:</b> The distance from A + B should be equal to B + C.</p>
<p><b>3.</b></p>	<p><b>4.</b></p>
<p><b>Once position is marked, drill 2 holes and insert the wall anchors and screws.</b></p>  <p><b>IMPORTANT:</b> CONSULT AN EXPERT FOR THE PROPER SCREWS/BOLTS TO USE WHEN ATTACHING TO VARIOUS WALL CONSTRUCTIONS. SCREWS PROVIDED DO NOT ATTACH TO ALL WALL CONSTRUCTION TYPES.</p>	<p><b>Hang mirror on the wall.</b></p> 