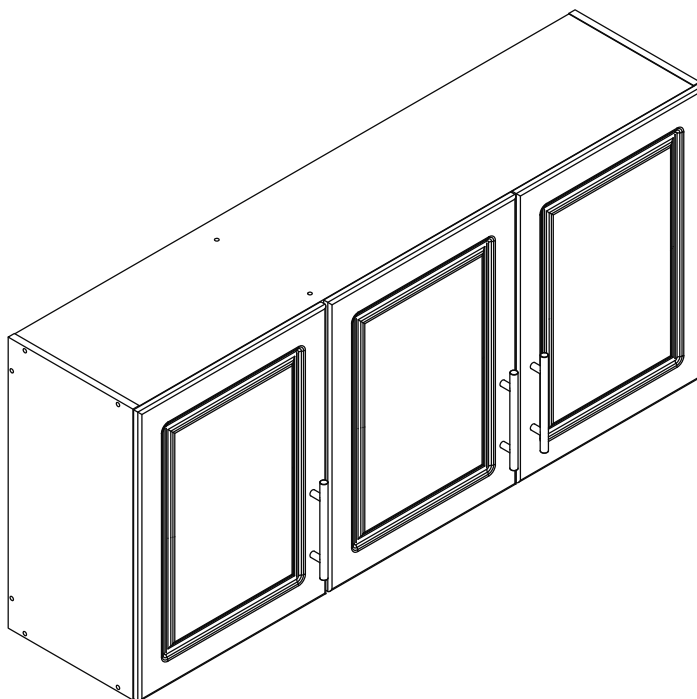




Item # 722990
Model # THD90070.6a.ST

USE AND CARE GUIDE

Elite 3-Door Wall Cabinet-White



Questions, problems, missing parts? Before returning to the store,
call Hampton Bay Customer Service
8 a.m. - 6 p.m., EST, Monday - Friday

1-855-HD-HAMPTON

HAMPTONBAY.COM

THANK YOU

We appreciate the trust and confidence you have placed in Hampton Bay through the purchase of this bookcase. We strive to continually create quality products designed to enhance your home. Visit us online to see our full line of products available for your home improvement needs.

Thank you for choosing Hampton Bay!

Table of Contents

Table of Contents	2	Planning Assembly	3
Safety Information	2	Tools Required	3
Warranty	2	Hardware Included	3
Pre-Assembly	3	Package Contents	4
		Assembly	5
		Weight Limits	13

Safety Information

Read and understand all instructions before assembly.

 **WARNING:** Anchor the bookcase to the wall after assembly to prevent accidental tipping and injury.

Warranty

LIMITED ONE YEAR PRODUCT WARRANTY

WHAT IS COVERED

This limited warranty covers the original purchase of this product used for normal commercial, Personal, or household use. The supplier warrants its products will be free from defects in materials and workmanship (normal wear and tear excepted) for a period of one (1) year from the date of purchase, except as provided below. The supplier, at its option, will replace with a comparable product, free of charge, any product purchased from it that fails under normal use as a result of such defect. Materials are warranted for one year from date of purchase. Proof of purchase is required in the form of a receipt (copy or original) to validate the warranty. The supplier provides this limited warranty in lieu of all other warranties either expressed or implied. Expressly excluded are all warranties of fitness for a particular purpose or merchantability. The supplier's sole obligation and the user's exclusive remedy under this warranty shall be limited to the repair, refund or replacement at the supplier's sole discretion and cost, of product or components. THIS WARRANTY APPLIES ONLY TO THE U.S. AND CANADA.

WHAT IS NOT COVERED

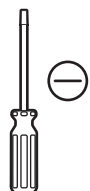
This warranty does not apply to damage caused by fire, accident, negligence, misuse, or use other than as stated in product instructions, improper cleaning or other circumstances not directly attributable to defects in materials and workmanship. Natural variations occurring in wood or other materials will not be considered defects, and the supplier does not warrant the color-fastness or matching of colors, grains, or textures of such materials. This warranty does not apply to: modifications of the product, attachments to the product not approved, and products that were not installed, used, or maintained in accordance with product instructions and warnings. Contact the Customer Service Team at 1-855-HD-HAMPTON or visit www.Hamptonbay.com.

Pre-Assembly

PLANNING ASSEMBLY

Compare all parts with the Hardware Included and Package Contents lists in this manual. If any part appears missing or damaged, do not assemble this product. Contact the Customer Service Team at 1-855-HD-HAMPTON or visit www.HamptonBay.com.

TOOLS REQUIRED



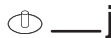
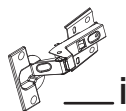
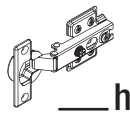
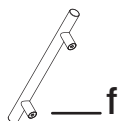
Flathead screwdriver



Phillips screwdriver

HARDWARE INCLUDED

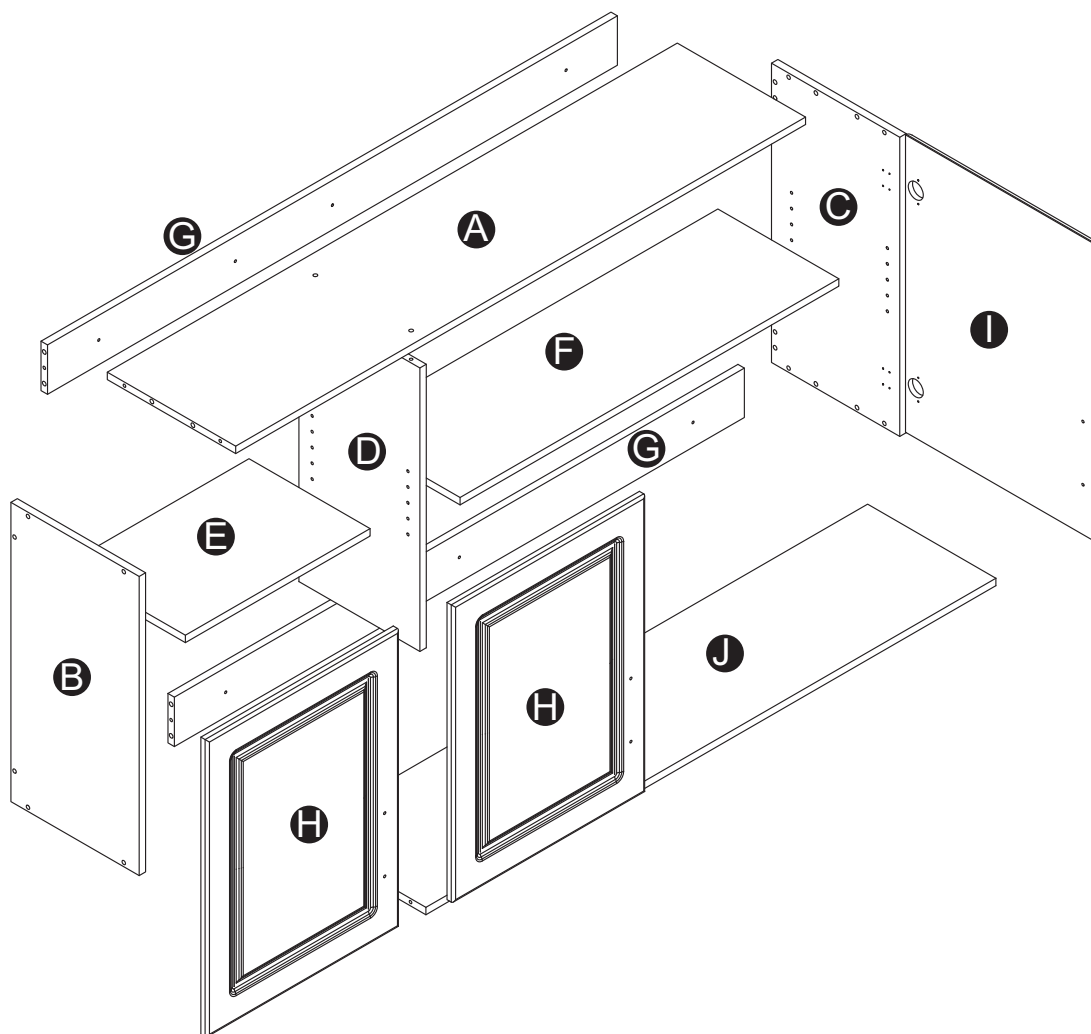
 **NOTE:** Hardware not shown to actual size.



Part	Description	Quantity
a	Wood Dowel	20
b	7*50 mm Screw	16
c	Shelf Support	8
d	4*38 mm Screw	2
e	Bolt	6
f	Knob	3
g	3.5*14 mm Screw	36
h	Hinge	4
i	Bending Hinge	2
j	Cover Caps	16
k	4*76 mm Screw	6

Pre-Assembly (continued)

PACKAGE CONTENTS

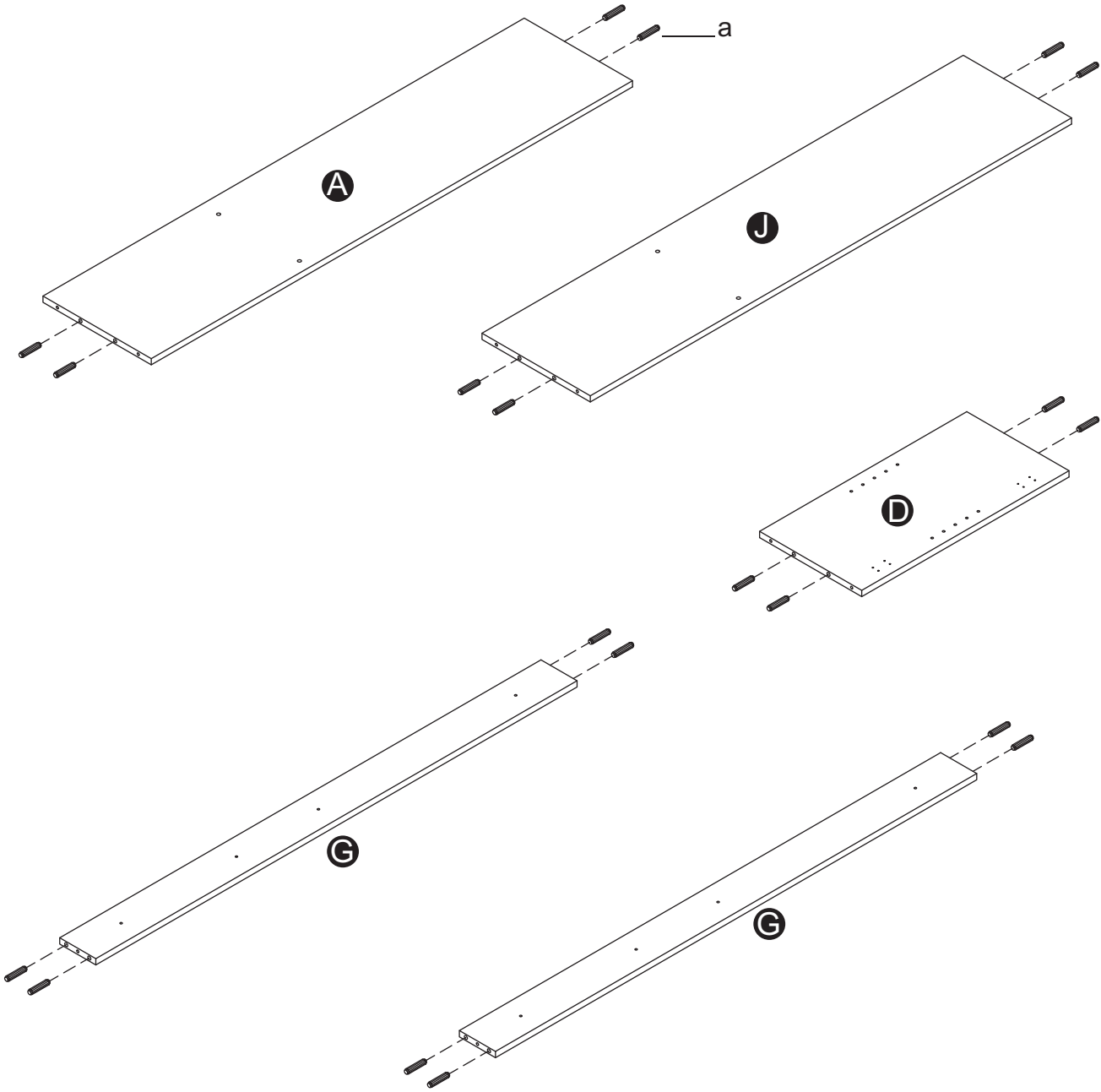


Part	Description	Quantity
A	Top	1
B	Left Side Panel	1
C	Right Side Panel	1
D	Partition	1
E	Short Adjustable Shelf	1
F	Adjustable Shelf	1
G	Back panel	2
H	Left Door	2
I	Right Door	1
J	Bottom	1

Assembly

1 Preparing the top , bottom , partition and two cross bars

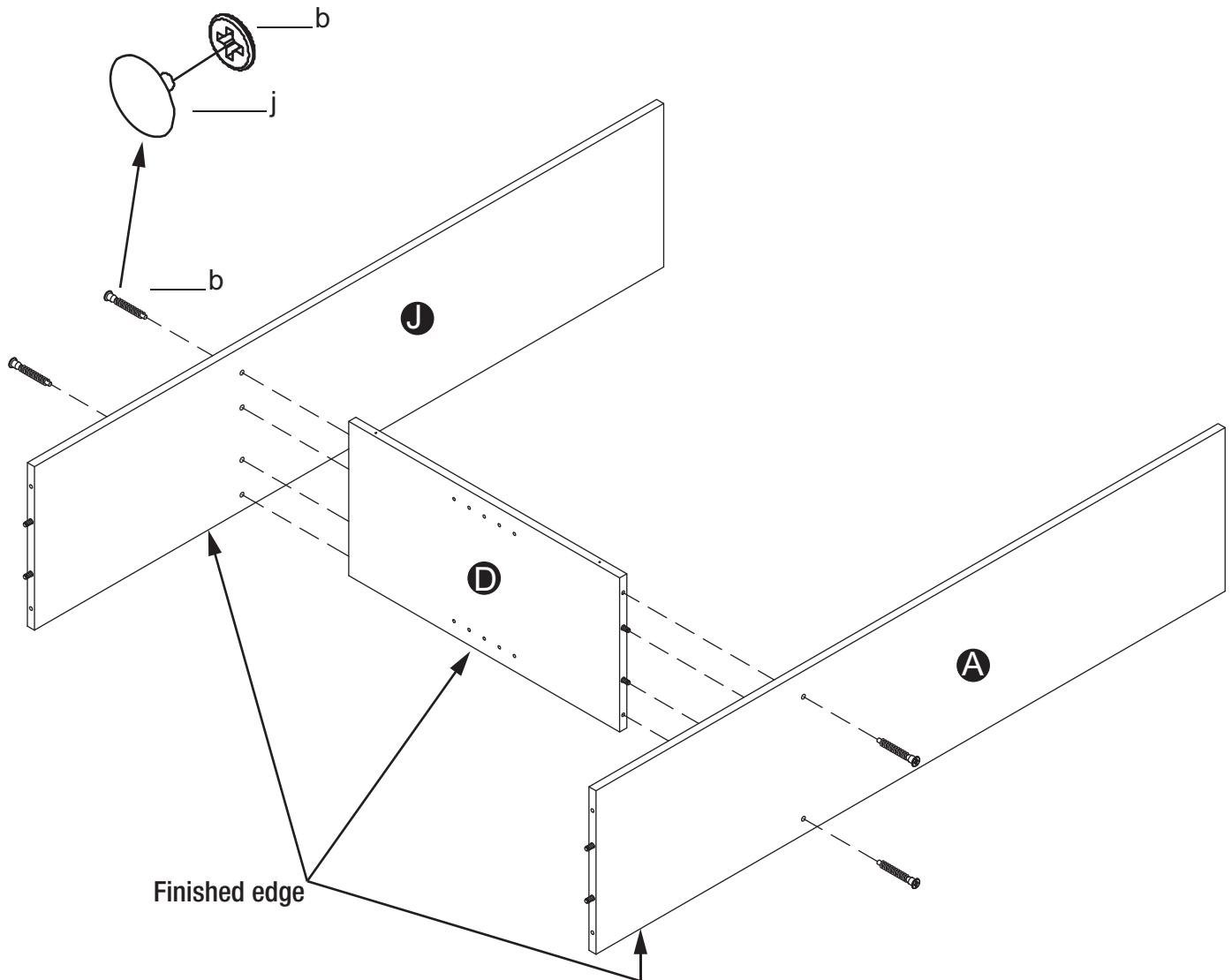
- Insert eight wood dowels (a) into the top (A) and bottom (J).
- Insert four wood dowels (a) into the partition (D).
- Insert eight wood dowels (a) into the two cross bars (G).



Assembly (continued)

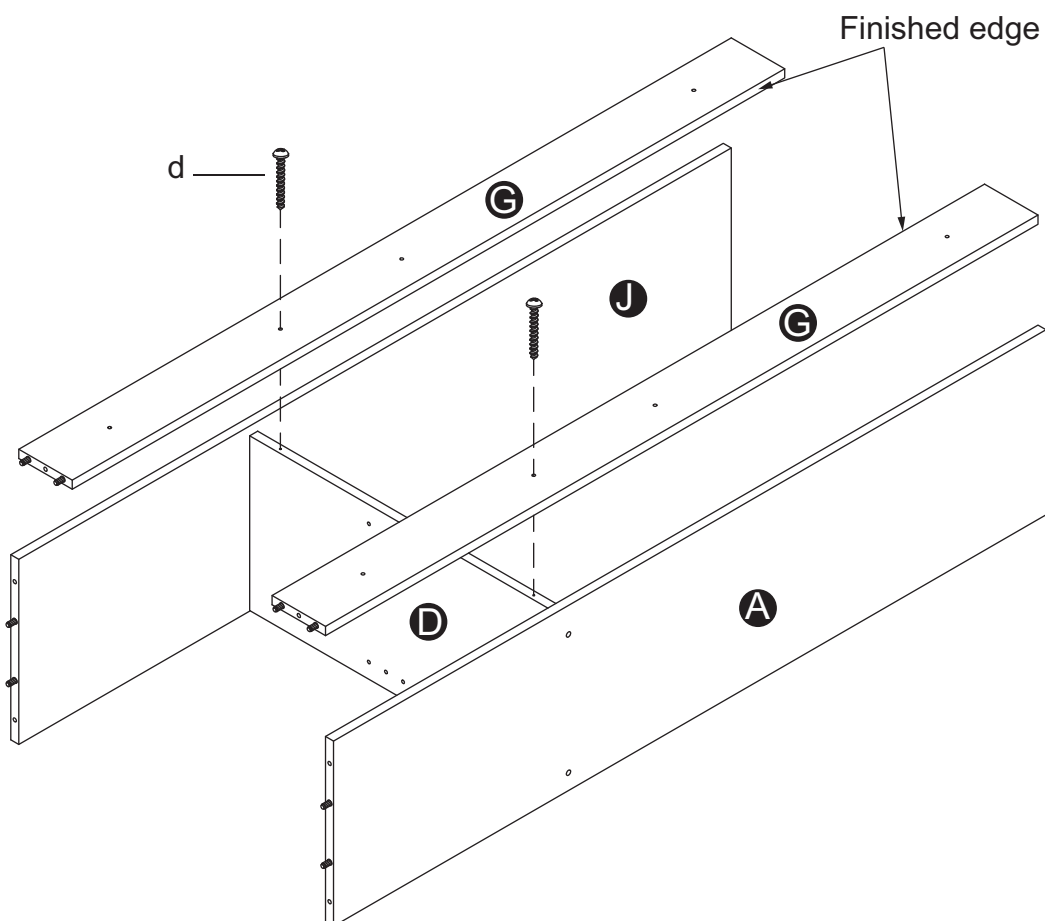
2 Assembly the top , bottom and partition

- Connect top (A) , bottom (J) and partition (D) , ensure that the wood dowels (c) are fully inserted into the appropriate holes.
- Using screwdriver to tighten four screws (b) , make sure the finished sides of the panel faces in towards the mantle.
- Cover the four screws (b) with cover caps (j).



3 Assembly the cross bars

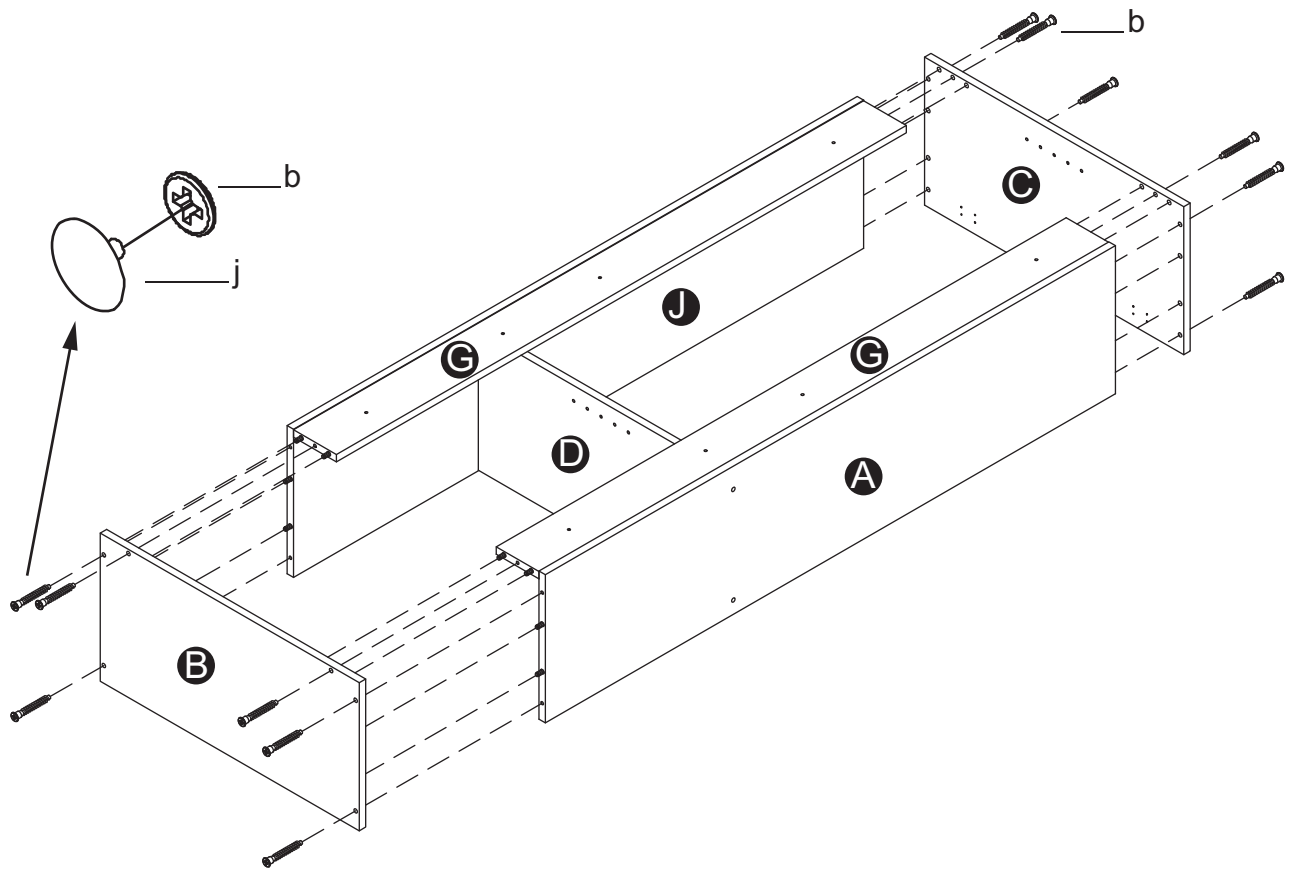
- Fasten the cross bars (G) to the assembled unit using two screws (d) with the partition (D), do not over tighten the screws.



Assembly (continued)

4 Flipping the framework

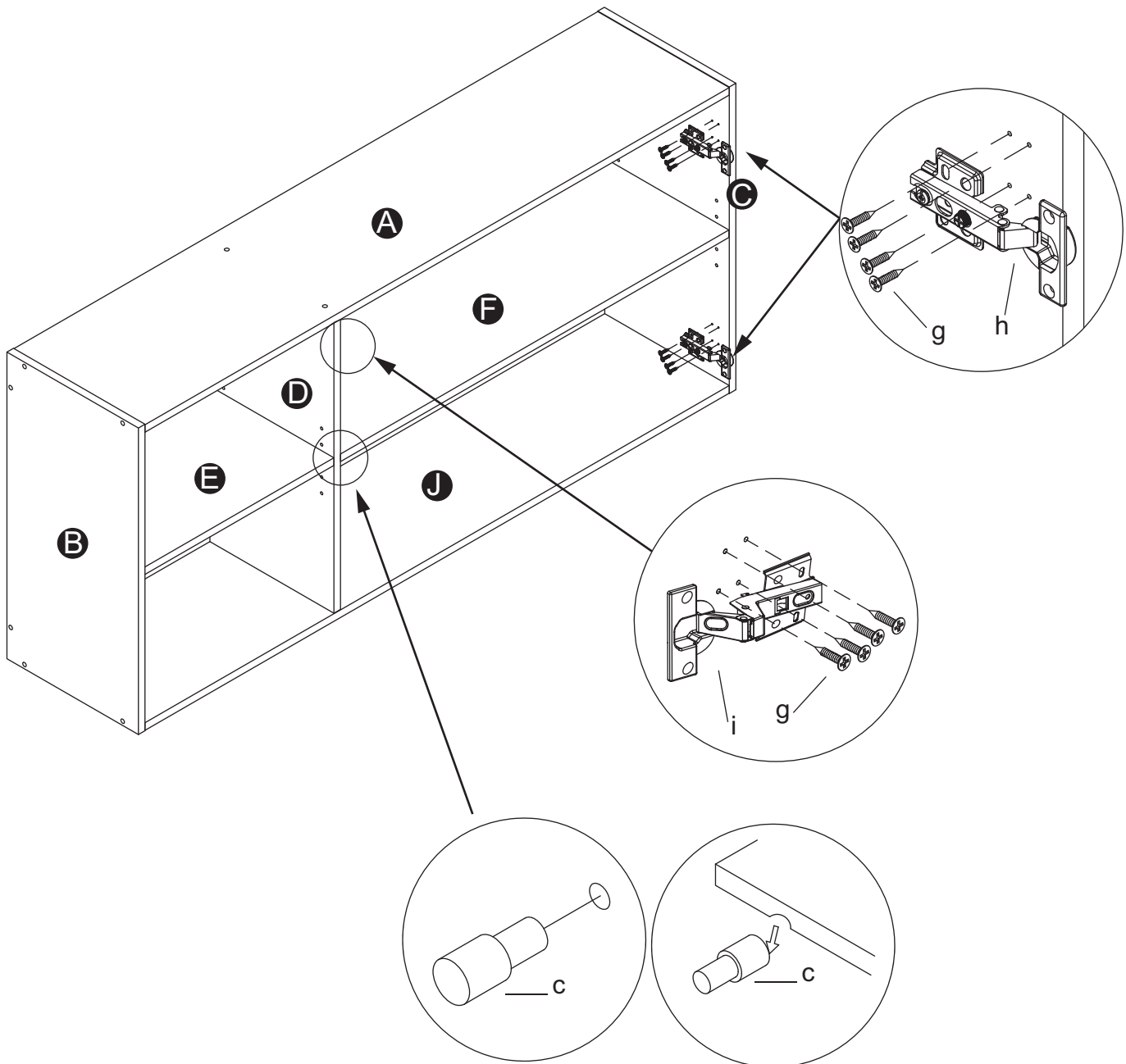
- Connect left side panel (B) and top (A), bottom (J) and two cross bars (G), ensure that the wood dowels (a) are fully inserted into the appropriate holes.
- Using screwdriver to tighten six screws (b), make sure the finished side of the panel faces in towards the mantle.
- The same step to assembly the right side panel (C).
- Cover the twelve screws (b) with cover caps (j).



Assembly (continued)

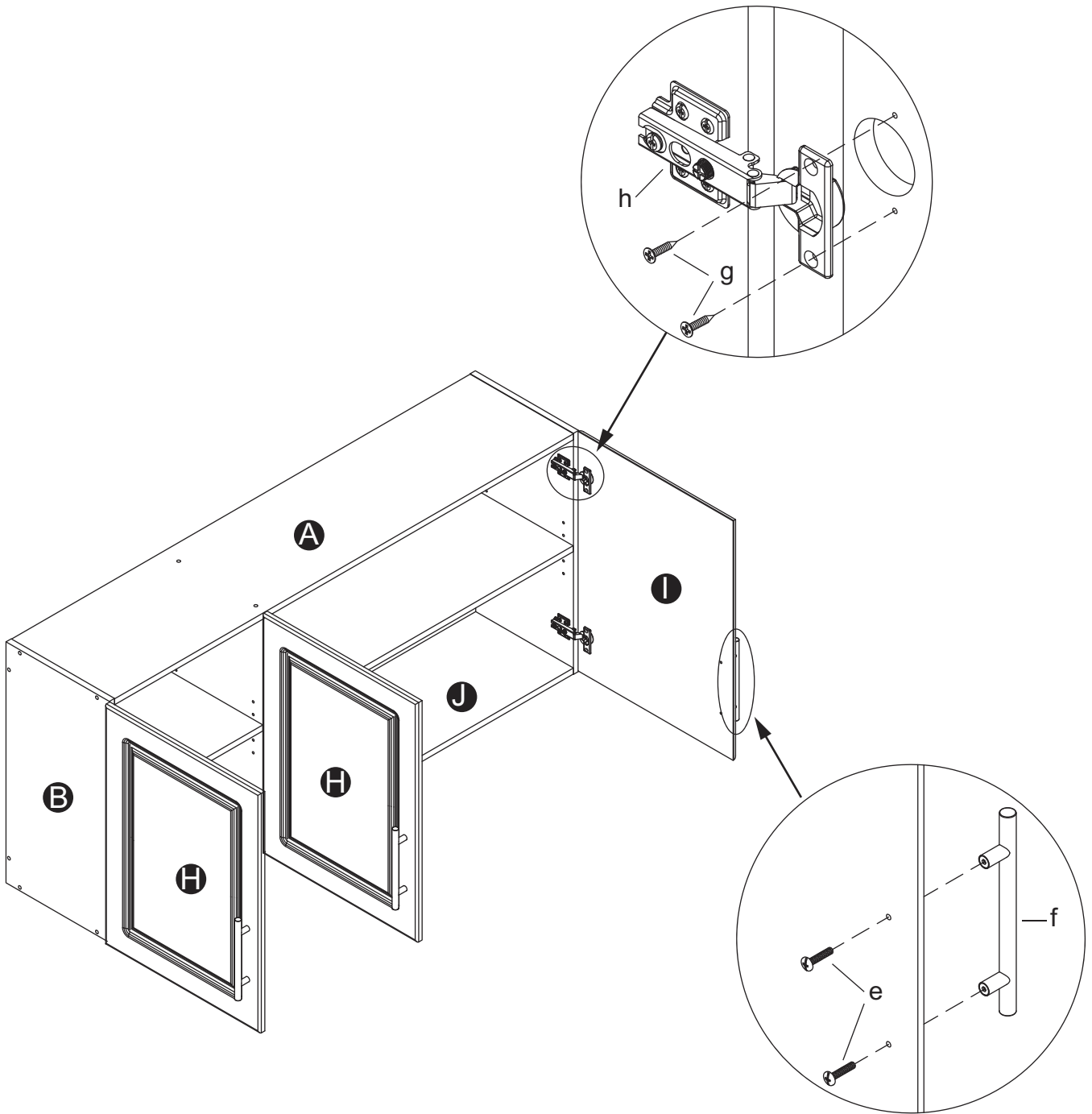
5 Assembling the adjustable shelves and hinge

- Insert eight shelf supports (c) into the desired holes of the cabinets inside and places the shelves (E and F) on top of the supports.
- Through sixteen screws (g) with four hinges (h) to lock on the side panel (B and C), the same assembling steps for the two bending hinges (i) lock to the partition (D).

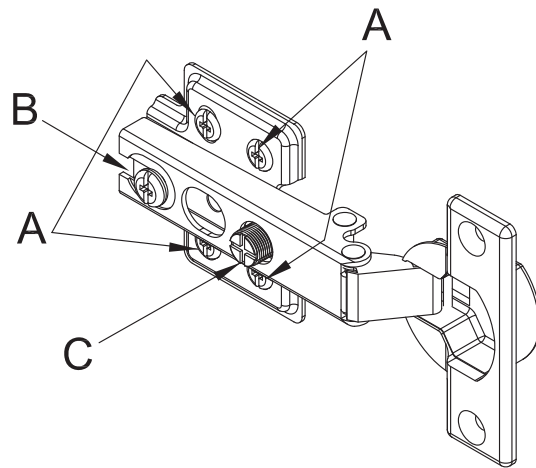


6 Assembling the door

- Through four screws (g) with the hinge (h) to lock on the right door (l) , the same assembling steps for the left doors (H).
- Through two bolts (e) connection knob (f) with the right door (l) , the same assembling steps for the other knobs (f).



Assembly (continued)

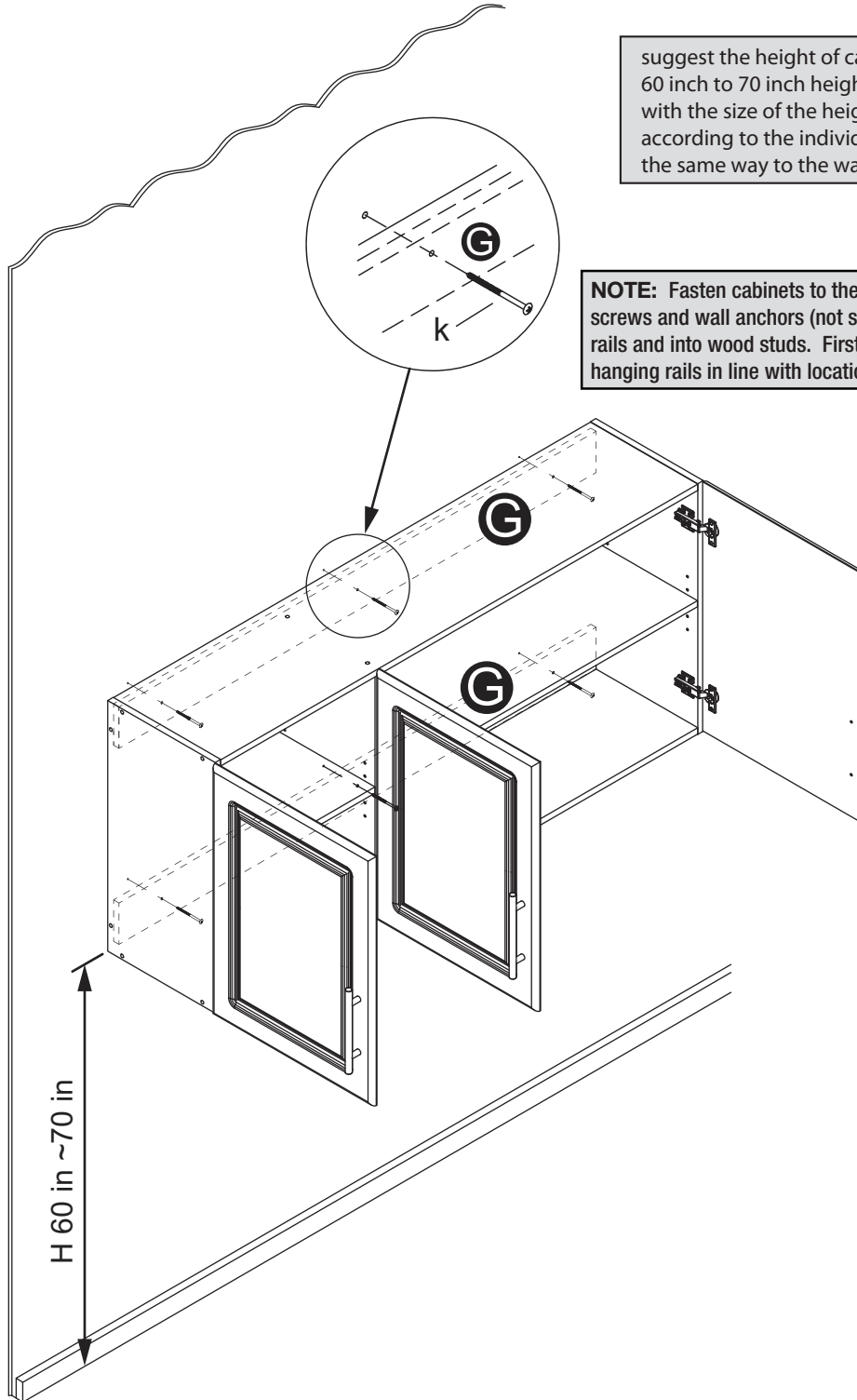


	<p>To adjust the vertical height. Loosen the four screws "A" on both hinges. Two of them are usually in slotted holes which mean and you can adjust up or down by a few mm. Then tighten back up</p>
	<p>To adjust depth. Loosen screw "B" and adjust door, if the door can not be adjusted, please loosen screw "C", then try again. Tighten screw "B" and "C".</p>
	<p>To adjust side ways. Turning the screw "C" on BOTH hinges on each door.</p>

Assembly (continued)

7 Installing 3-door wall cabinets to the wood wall

- Drill 2/16" diameter holes (2.5mm) in the wood wall, height corresponding with the cross bars (G) holes, through cross bars hole using four 3" screws (k) tightening the 3-door wall cabinet into the wood wall hole.



suggest the height of cabinet above the ground is 60 inch to 70 inch height, if you are not satisfied with the size of the height, can be adjusted according to the individual's thoughts, finally in the same way to the wall of the cabinets.

NOTE: Fasten cabinets to the dry wall using the appropriate 3" screws and wall anchors (not supplied) through the hanging back rails and into wood studs. First drill a pilot hole in the cabinet hanging rails in line with location of the all wood studs.

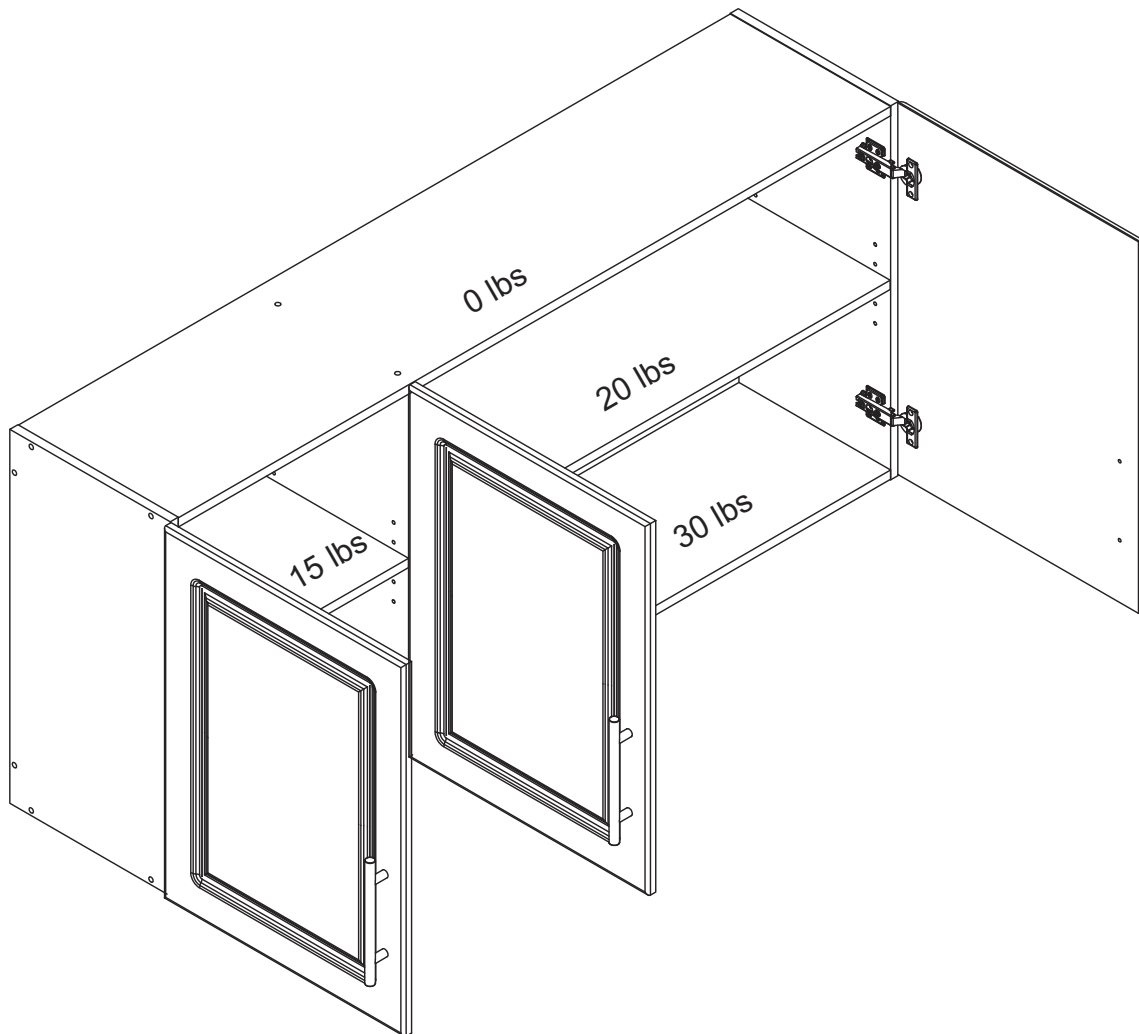
Assembly (continued)

WEIGHT LIMITS

- This unit has been designed to support the maximum loads shown. Exceeding these load limits could cause sagging, instability, product collapse, and/or serious injury.



WARNING: Please ensure that all the objects are removed before moving the assembled unit. The unit must be lifted by more than one person, not dragged or pushed. Failure to do so will cause product damage, instability, product collapse, and/or serious injury.





Questions, problems, missing parts? Before returning to the store,
call Hampton Bay Customer Service
8 a.m.-6 p.m., EST, Monday-Friday

1-855-HD-HAMPTON

HAMPTONBAY.COM

Retain this manual for future use.