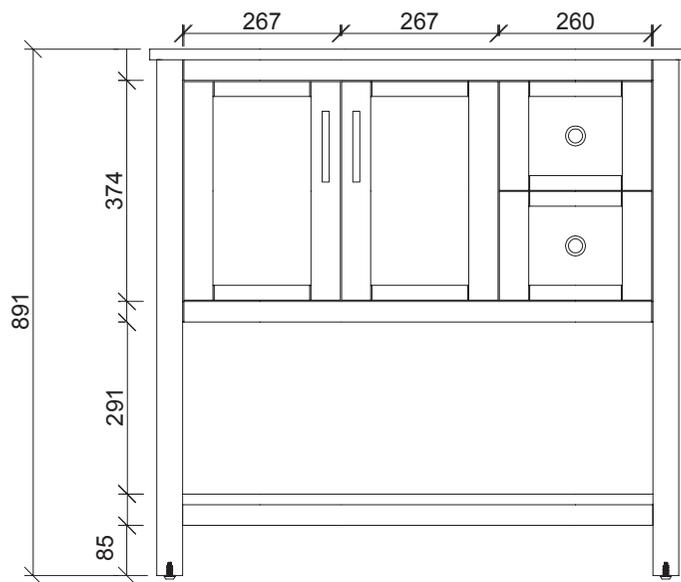
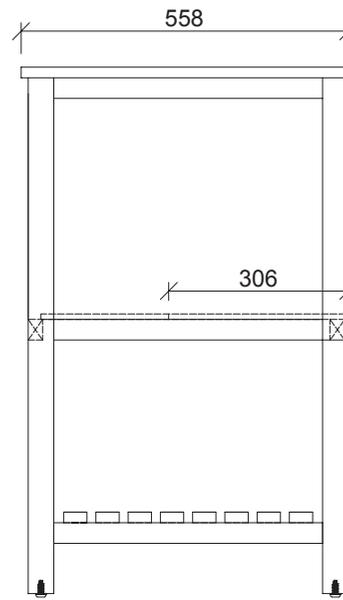


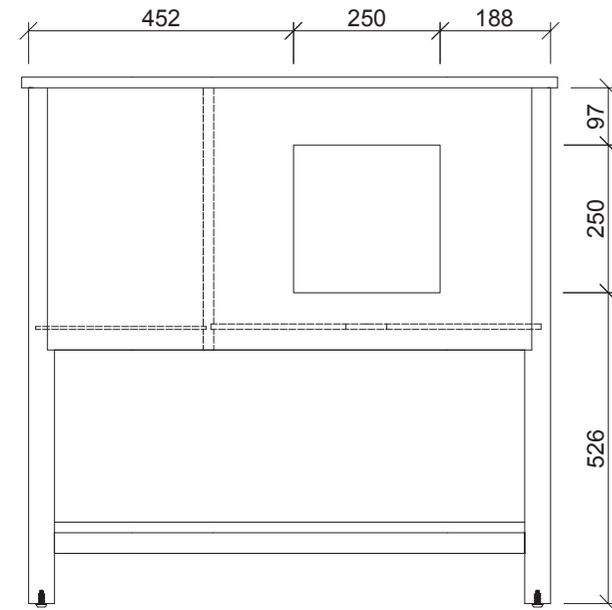
**TOP VIEW**



**FRONT VIEW**



**SIDE VIEW**



**BACK VIEW**

\*All dimension in mm unless otherwise specified. Dimensions subject to tolerance.