

PVC SYSTEMS INCLUDE:

- 1 HP blower heated
- HydroOzone ozone sanitation system
- Rigid PVC piping
- Soft Touch electronic on/off control with 30-minute integral times
- Requires 20 Amp Dedicated GFCI
- Integral waste and overflow (circular)



Visit <http://www.hydrosystem.com> for more details on our options and accessories.

HARRISBURG

DESIGNER COLLECTION

H | S

As SHOWN:

Soaking tub

FEATURES SHOWN:

- Pump Motor
- Jets
- Anti-vortex suction
- Overflow location

ALSO AVAILABLE:

- Soaking tub only
- Thermal Air



SIZE:

70.40.27

WATER CAPACITY:

110 Gallons

WEIGHT:

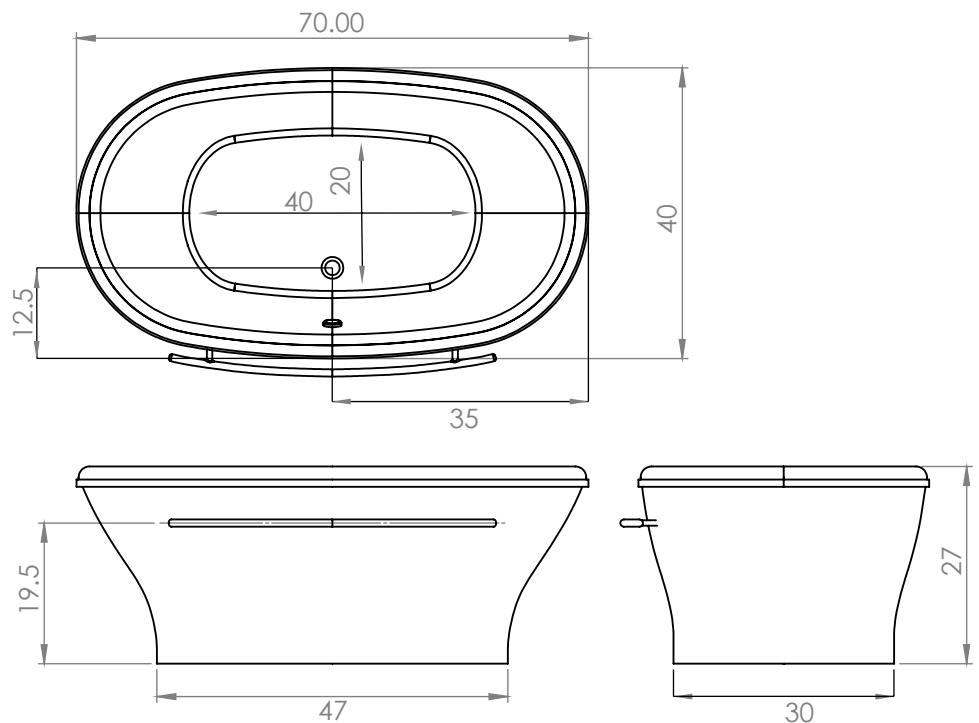
170 Pounds

MODEL 7248 DIMENSIONS:

- (L)ength- 70"
- (W)idth- 40"
- (H)eight Finish- 27"

ACRYLIC TUB

- Acrylic models finished in 1/8" thick layer of deep lustrous acrylic
- Extra thick reinforced fiberglass



CODES AND COMPLIANCES

Massachusetts code File no: P1-0614-491



HYDRO SYSTEMS
Family Owned And Operated Since 1978

29132 Avenue Paine. Valencia, CA, 91355
661.775.0686 | hydrosystem.com

All specifications and options subject to change without notice please contact a Hydro Systems representative for more information. Certain options or altering the pump/blower location may cause the pump/blower to extend beyond the tub decking. For cutout dimensions wait for unit to arrive. All specifications subject to change without notice.