

## 15073 BORDER-EDGER KIT

The Border-Edger Kit is a useful tool for making clean cuts in the lawn along the borders of gardens, flower beds, walkways, and driveways for a well manicured look. To install the Border-Edger Kit, do the following:

### INSTALLATION

1. Make sure the cultivator is not running by flipping the ON/OFF switch to the **OFF** position.
2. Remove the hairpins from both sides of the tine shaft.
3. Remove the cultivating tines from the shaft, remembering which direction they are facing.
4. Put the tines in a safe place and save the (2) hairpins, they will be used on the Border-Edger Kit.
5. Slide the border-edger tine onto either side of the tine shaft. Make sure that the hub collar of the border-edger tine faces outward, away from the transmission of the cultivator. **SEE FIGURE 1**
6. Take the (2) hairpins saved in *Step 4* and insert them through the inner and outer holes in the tine shaft on each side of the border-edger tine to secure the tine blade in place on the shaft. **SEE FIGURE 1**
7. Slide the border-edger wheel onto the opposite side of the tine shaft as far as it will go.
8. Insert the remaining (1) hairpin, that came with the kit, through the inner hole next to the wheel in the middle of the tine shaft. **SEE FIGURE 1**
9. Before using the Border-Edger Kit, remove the drag stake from the unit.
10. Set the cultivator wheels to the **HIGHEST** (top) position.

### PARTS BREAKDOWN

KEY #	PART #	DESCRIPTION	QTY.
1	15009	BORDER-EDGER TINE	1
2	46131	BORDER-EDGER WHEEL	1
3	46134	HAIRPIN	1

Ardisam, Inc.

1160 8th Avenue, PO Box 666

Cumberland, WI 54829

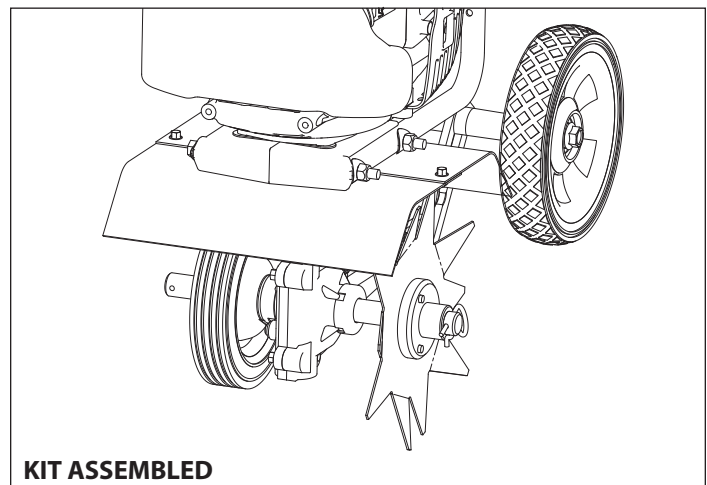
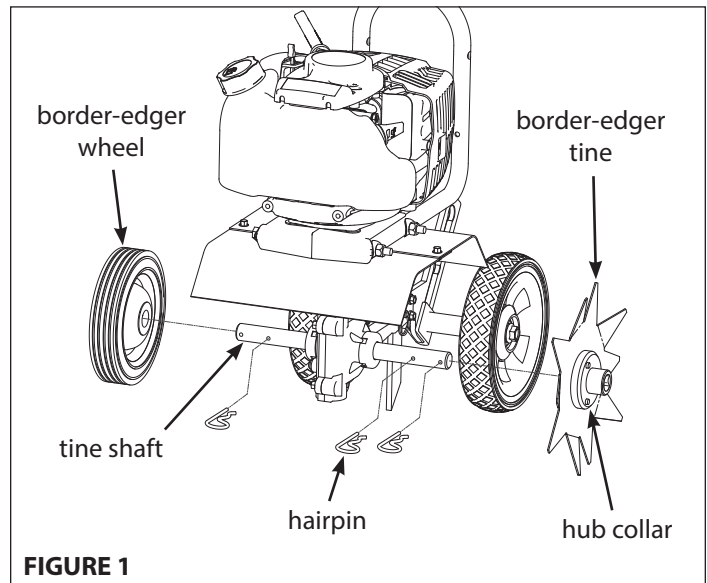
800-345-6007 | Fax 715-822-2223

E-mail: info@ardisam.com

All weights, specifications and features are approximate and are subject to change without notice. Due to continuous product improvements, product images may not be exact. Items used for props not included. Some assembly may be required.

### CAUTION

**BE AWARE THAT THE CULTIVATOR COULD UNEXPECTEDLY BOUNCE UPWARD, OR JUMP FORWARD IF THE TINES STRIKE CONCRETE, PAVEMENT, OR OTHER HARD SURFACES OR HARD OBSTACLES BURIED UNDER GROUND.**



P/N: 15565  
 ECN: 9832  
 REV1: 04/16/13  
 © 2013 Ardisam, Inc.  
 All Rights Reserved