

**38" NEO ANGLE
SHOWER BASE**

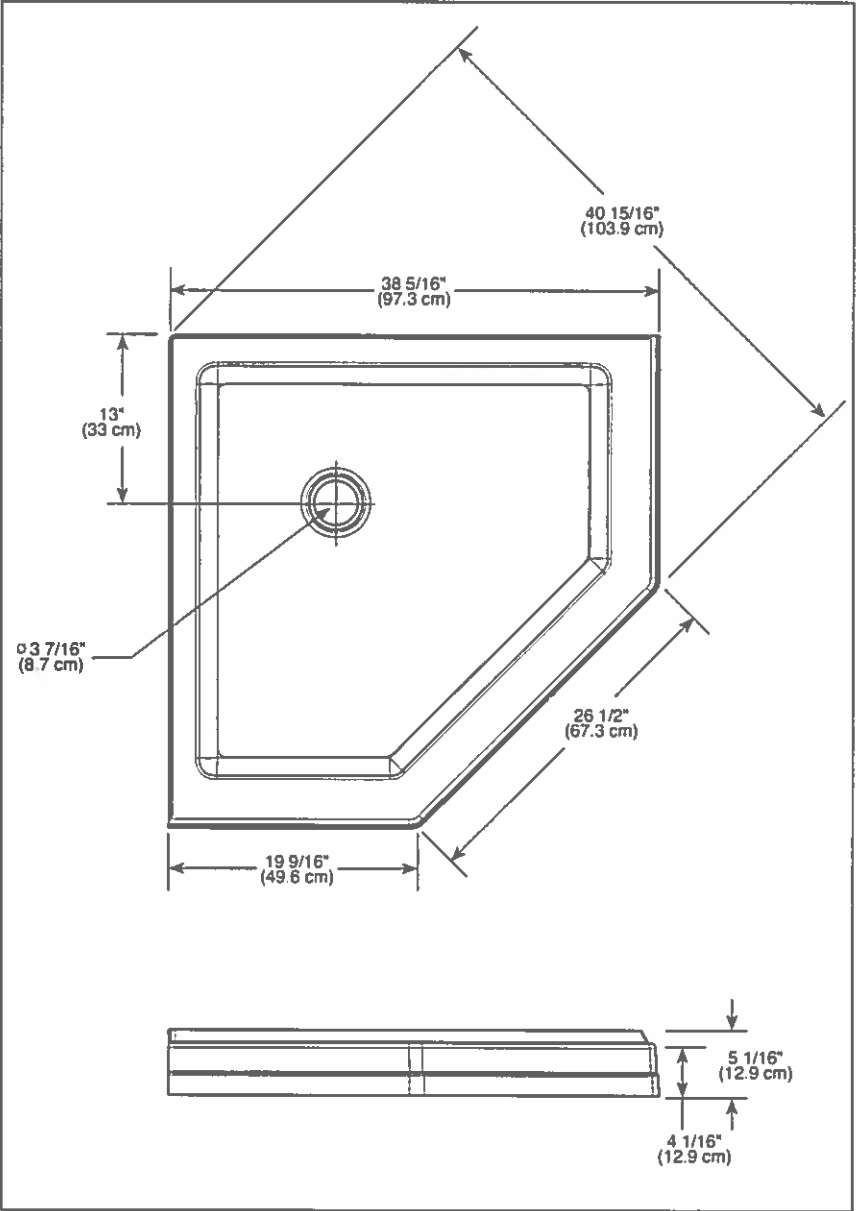
- High-Gloss ABS
- Uses Standard Shower Drain with 4 1/4" Strainer
- Textured Bottom
- 10 Year Limited Residential Warranty
- 1 Year Limited Commercial Warranty

Submitted Model No.: _____

Specific Features: _____

COLOR/FINISH

- White

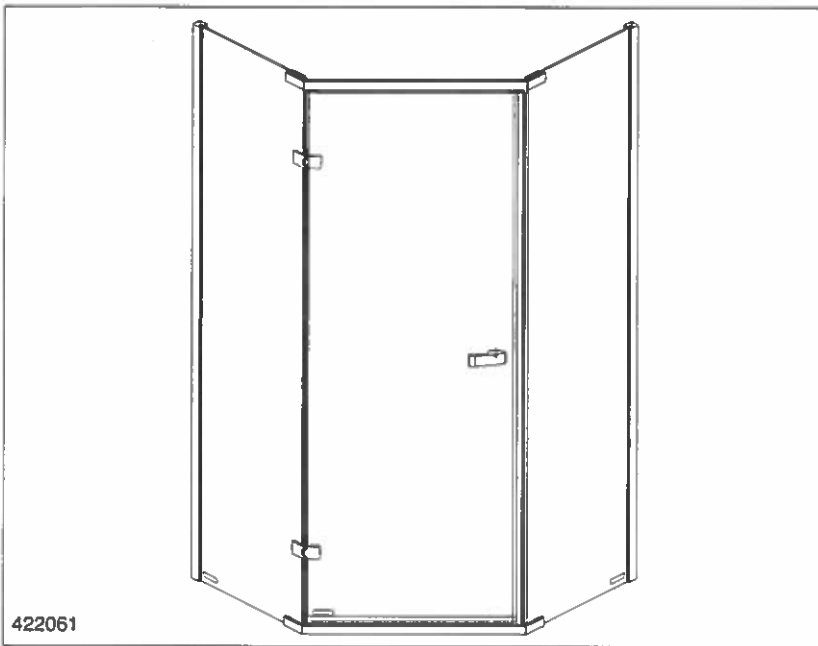


COMPLIES WITH:

- CSA B45.5/APMO Z 124



55 E 111th Street, Indianapolis, Indiana 46280
 350 South Edgeware Road, St. Thomas, ON N5P 4L1
 © 2016 Masco Corporation of Indiana



see what Delta can do™

38" FRAMELESS NEO-ANGLE SHOWER ENCLOSURE

- Designed to Fit Delta 38" Neo-Angle Shower Base
- Right or Left Door Swing Installation
- Frameless 1/4" Clear Tempered Glass Door and Panels
- Stainless Finish Hardware
- Can Install with Tile Applications
- 5 Year Limited Residential Warranty
- 1 Year Limited Commercial Warranty

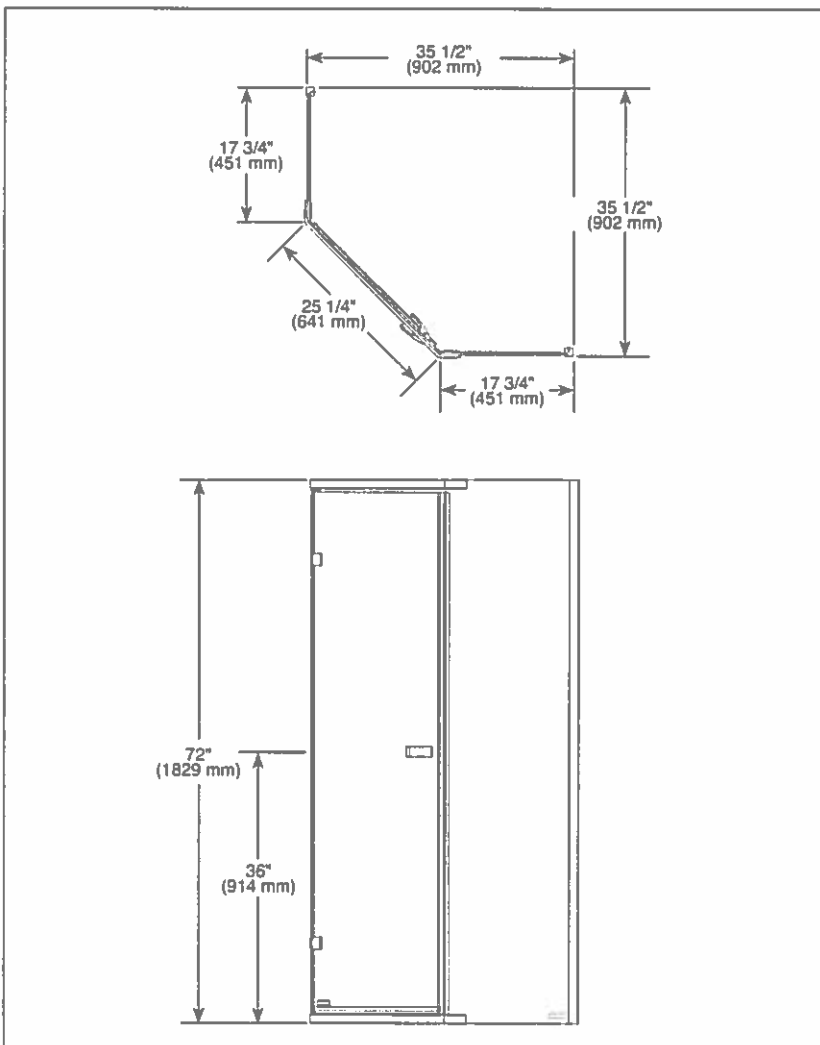
COLOR/FINISH

- Clear Glass
- Brushed Stainless Steel

COMPLIES WITH:

- IAPMO IGC 154

Submitted Model No.: _____
 Specific Features: _____



Delta Faucet Company
 55 E 111th Street, Indianapolis, IN 46280
 350 South Edgeware Road, St. Thomas, ON N5P 4L1
 © 2017 Delta Faucet Company