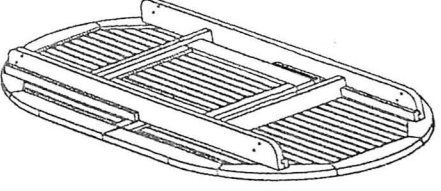
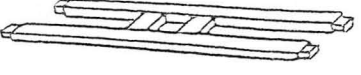

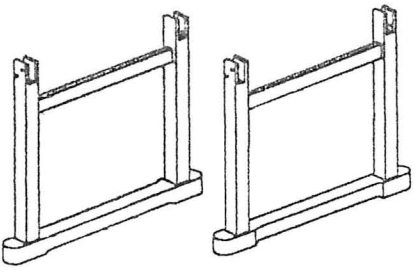


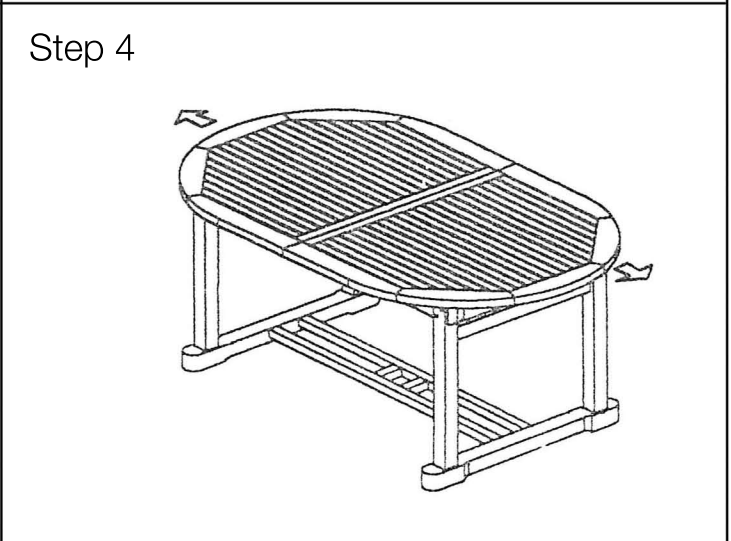
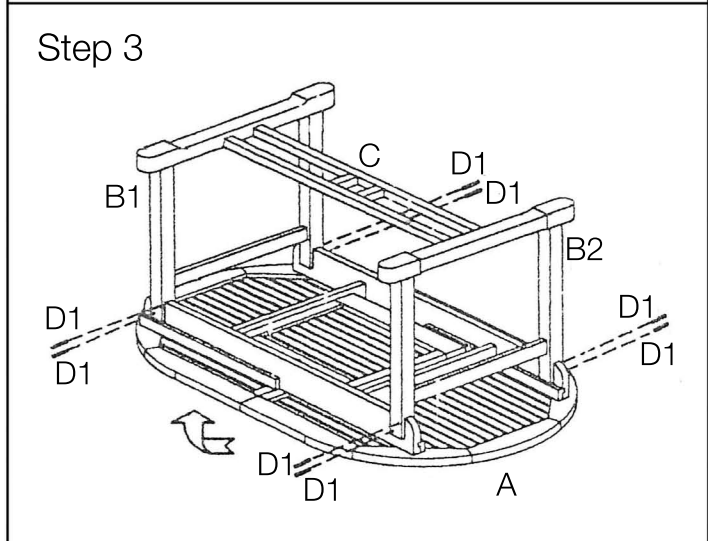
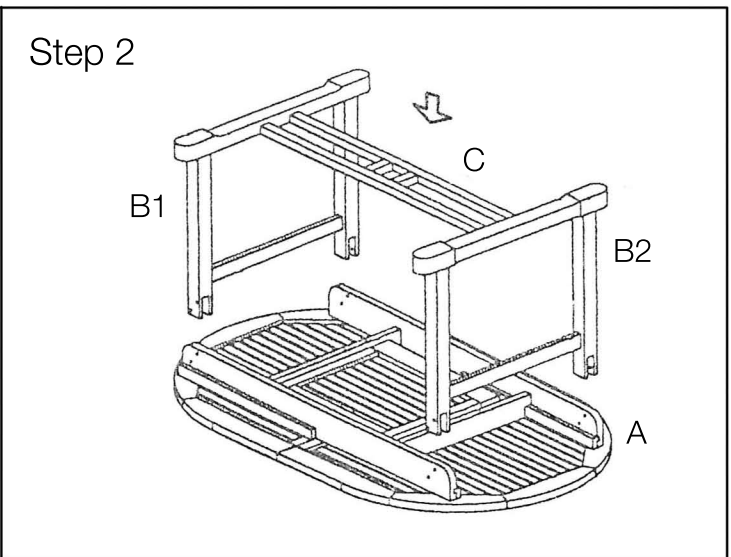
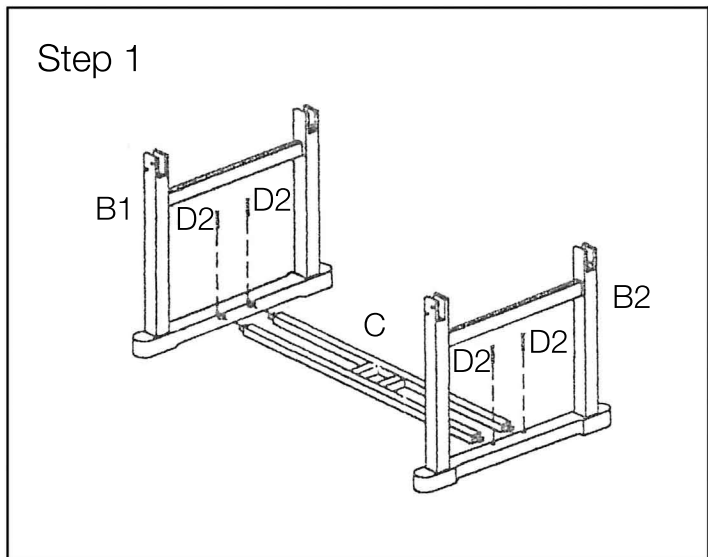


# Teakwood Oval Table w/Leaf Extension (TK8228A)

## Assembly Instructions

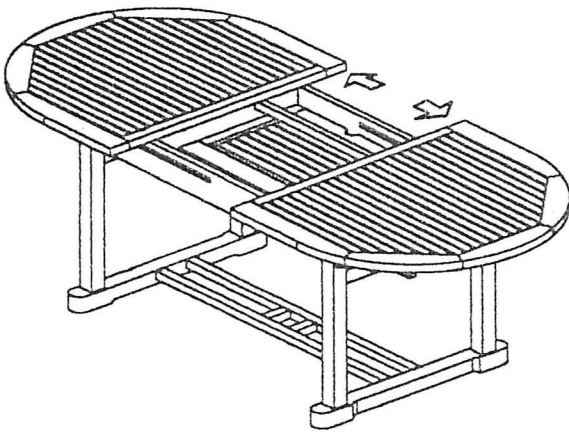
PARTS			
<p>A. Table Top 1pc</p> 	<p>C. Cross Bar 1pc</p> 		
<p>B1. Left end leg frame 1pc</p> <p>B2. Right end leg frame 1pc</p>	<p>D1. Long Dowel + Extra 12pcs + 4pcs</p> <p>D2. Short Dowel 4pcs</p> 		
	<p>E. Glue 1bottle</p> 		
<p>F. Brass Cap 1pc</p> 			



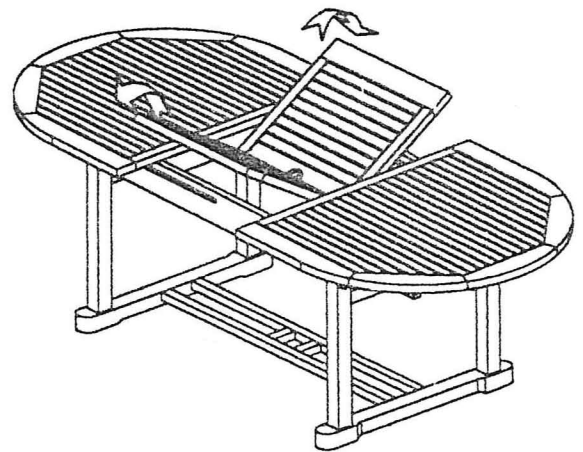
# Teakwood Oval Table w/Leaf Extension (TK8228A) Assembly Instructions Continue

To Extend The Table Leaf Extension

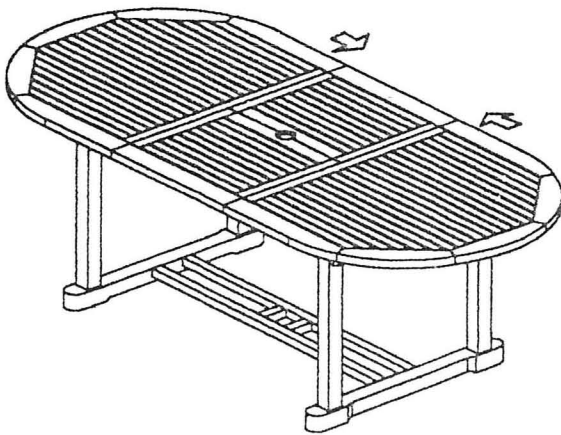
Step 5A



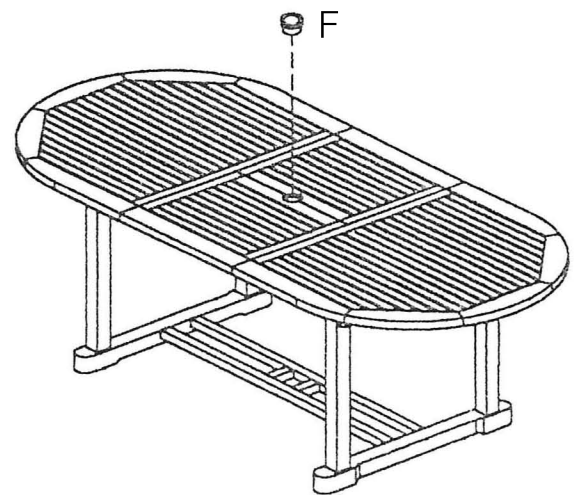
Step 5B



Step 5C



Step 6



## Teakwood Oval Table with Leaf Extension (TK8228A)

### Assembly Instructions

Dear Customer:

Please carefully check the parts on your Royal Teak Oval Extension Table. If you find a defective part, please contact us at 1-866-782-6688 or email us at [info@lanzaproducts.com](mailto:info@lanzaproducts.com).

**Note:** Before applying glue to mortise and tenon joints, please check the joint for fit. If tenon is too tight, sand it slightly until easy fit is achieved. When easy fit is achieved, apply wood glue to the mortise and tenon joints.

Dowel joints: Dip dowels in glue bottle before inserting into the pre-drilled holes. **DO NOT FORCE!** Use a rubber hammer to gently insert dowels into the pre-drilled holes. If there are dowels that still protrude from the holes, carefully cut the dowels with a knife or chisel and sand with sandpaper until smooth.

#### **Assembly Instructions:**

Suggested tools (NOT included): Rubber hammer, chisel, fine sand paper.

Assembling the unit on a non-abrasive surface to avoid scratching the wood.

- Step 1. Fit cross bar (C) to left end leg frame (B1) and right end leg frame (B2). Dip wooden dowels (D2) into the provided glue (E) and insert into holes to lock tenon joints (See Diagram)
- Step 2. Place your table top (A) face down on the non-abrasive surface and attach the assembled legs (completed in Step 1) to the table top (See Diagram)
- Step 3. Dip wooden dowels (D1) into the glue (E) and insert into holes to lock the table top and leg frames together. You can use rubber hammer to pound in the dowels. Cut off any protruding dowels with a chisel and smooth with sandpaper (See Diagram)
- Step 4. Pull the table top in opposite directions to extend the table (See Diagram)
- Step 5. Pull the middle leaf extension inside out and put together the side leaf extension (See diagram Step 5A + 5B). Push both ends of table inward to lock the table in place (See diagram Step 5C).
- Step 6. Place brass cap (F) into the brass ring hole (See diagram Step 6).

#### **Care Suggestions & Recommendations:**

Teakwood, when left bare and unsanded, will fade to a natural silver-gray color. This silver-gray color transformation does not in any way affect the durability of the furniture or the wood itself.

To maintain the smooth finish and golden brown color of your teakwood furniture, you will need to sand the furniture regularly. To prolong the period of time needed between sanding, teak oil may also be applied.

If you choose to apply teak oil, apply every 6 months, or follow the directions on the teak oil container, not included. Again, if you choose to maintain the smooth brown finish of your new teak furniture, this method requires some maintenance for upkeep such as sanding and reapplication of teak oil. Using teak oil does not prolong the life of teak. Teak oil, along with sanding, simply maintains the golden brown color.

#### **Staining:**

Please note, once you stain your teakwood, it will not return to the natural golden brown or weathered silver-gray color without sanding off the stain. Stain is intended to be permanent. If you choose to stain your furniture after it has turned silver-gray, you must first sand it before applying stain.

Do not leave your teakwood furniture in puddles of water or on wet ground.

Cover your teakwood furniture during the winter months or move into covered storage if in wet climates.

The timber used in making this product is cultivated under strict governmental regulations to ensure reforestation and protection of forests vital to our ecosystem