

FVN62-301230-VSL

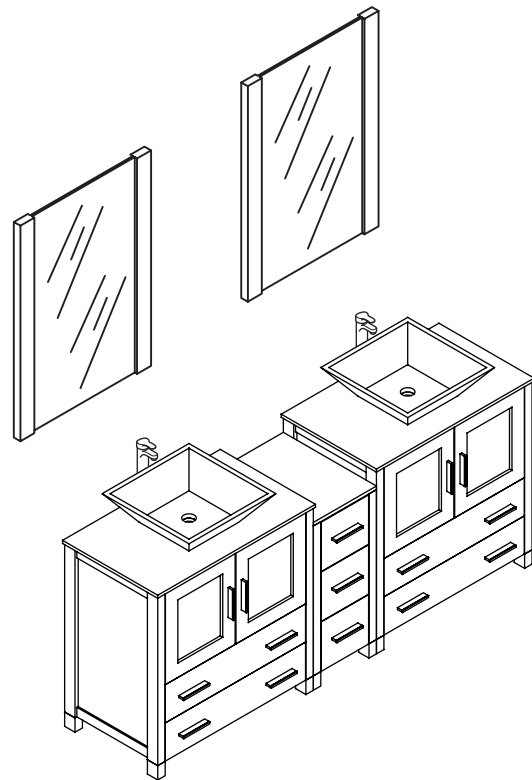
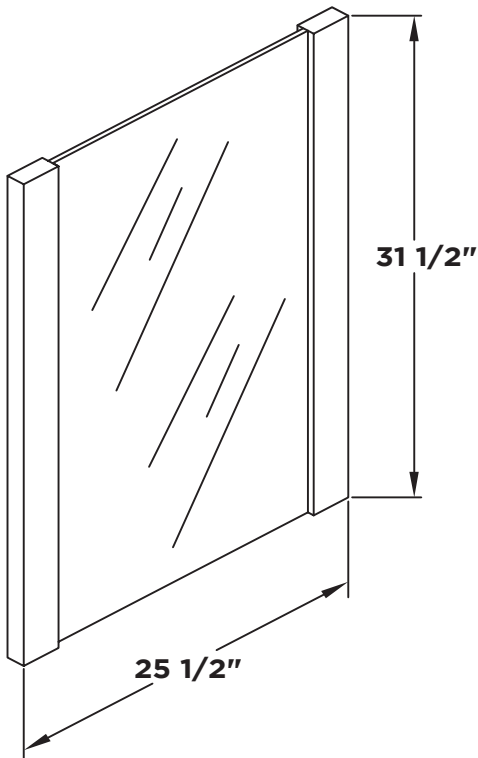
TORINO

INSTALLATION GUIDE



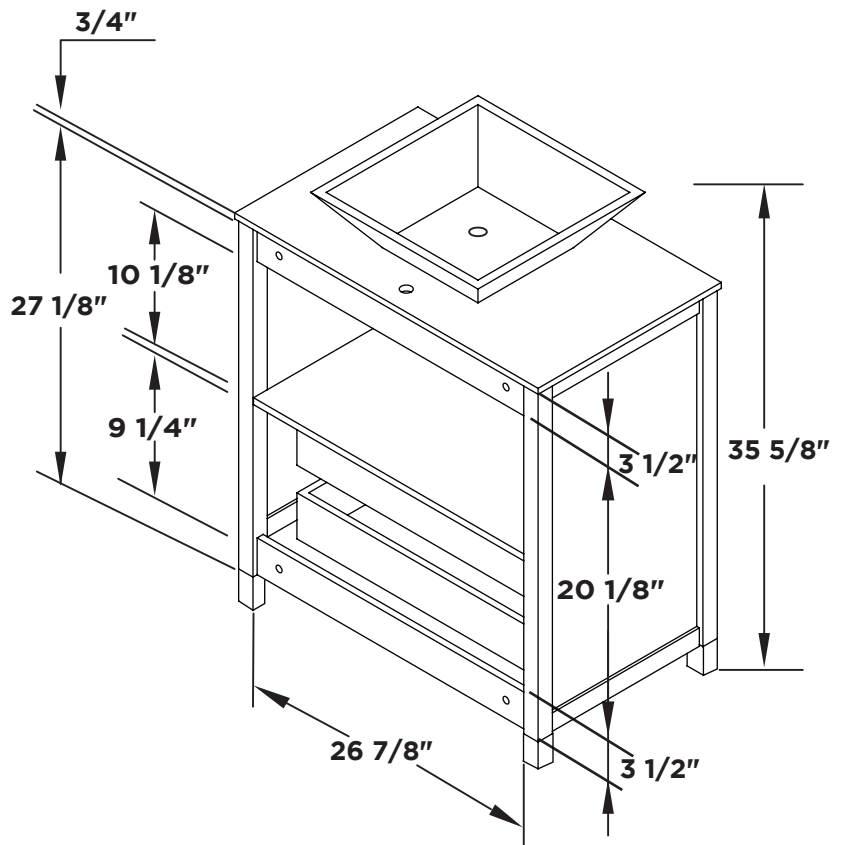
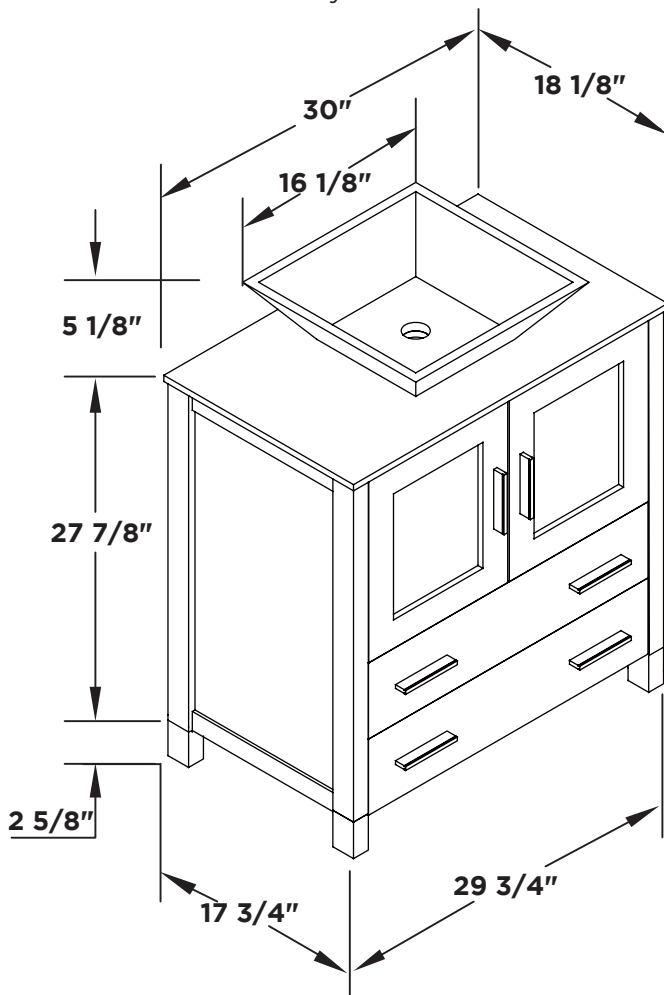
FRESCA

Mirror 2PCS

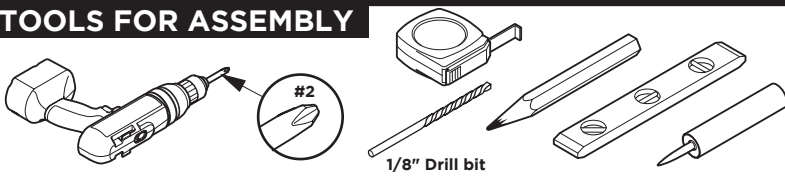


Vanity Front 2PCS

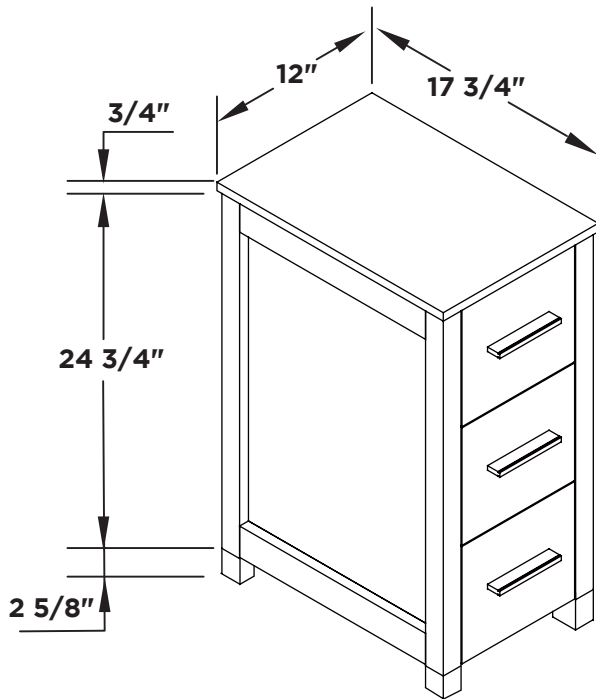
Vanity Back 2PCS



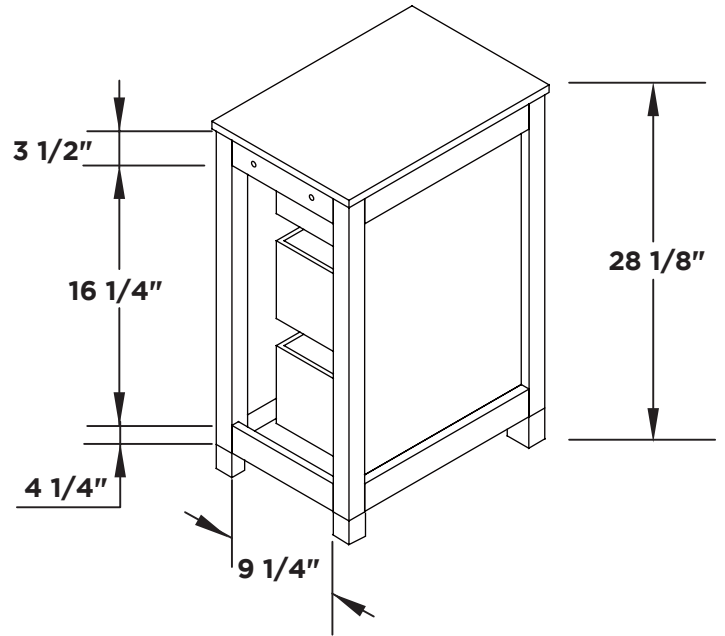
TOOLS FOR ASSEMBLY



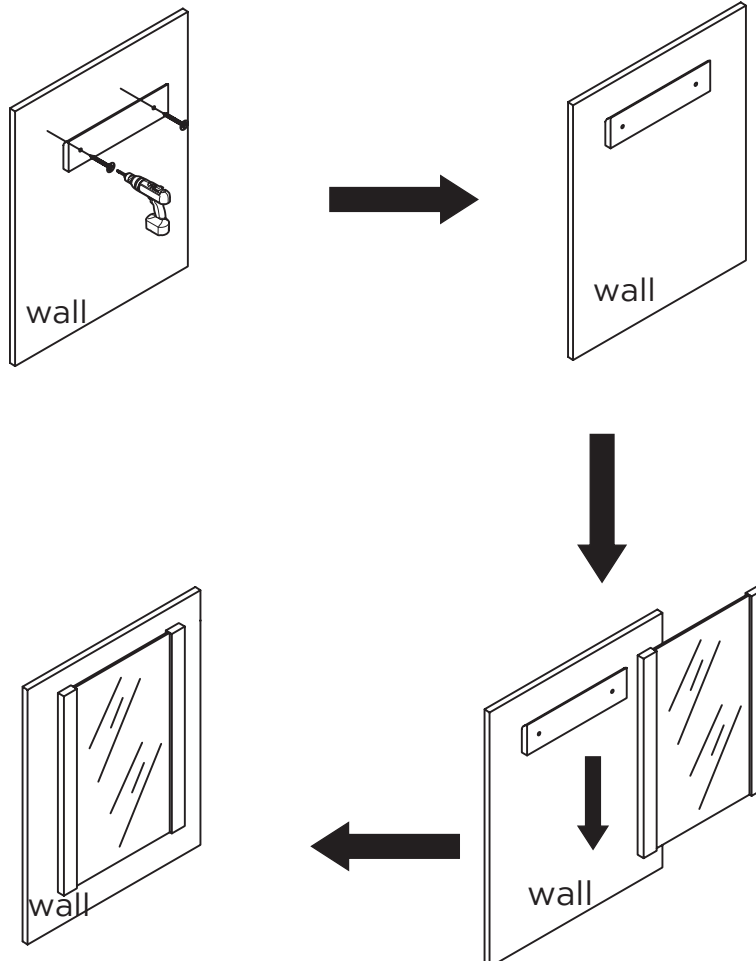
Side Cabinet Front



Side Cabinet Back

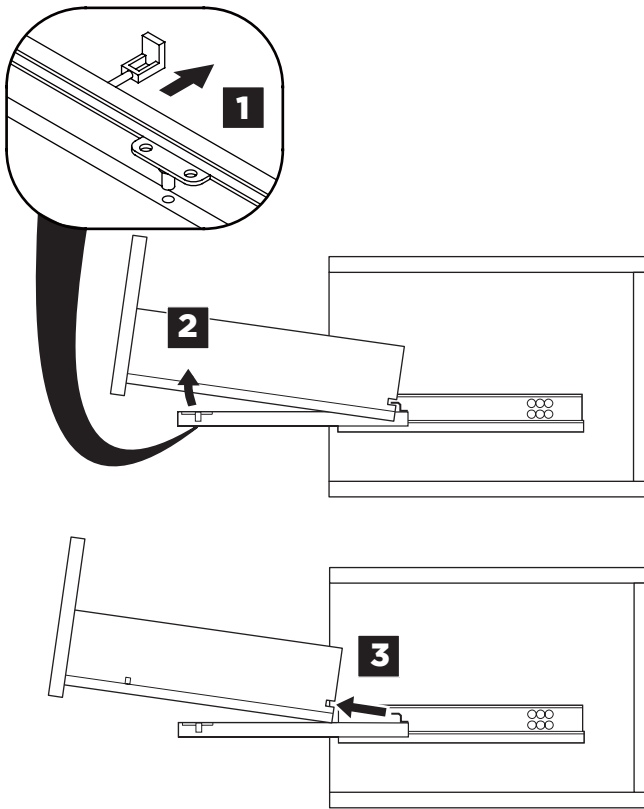


MIRROR INSTALLATION

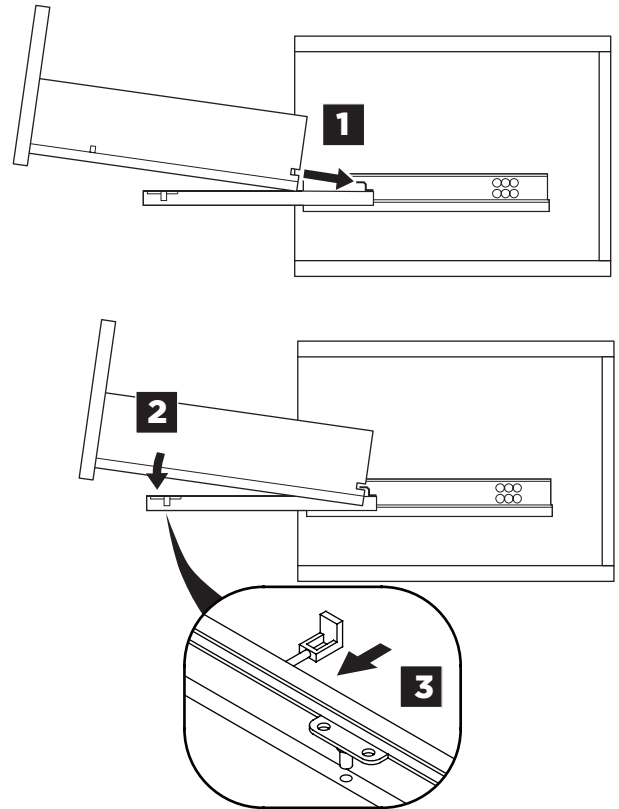


DRAWER REMOVAL & INSTALLATION

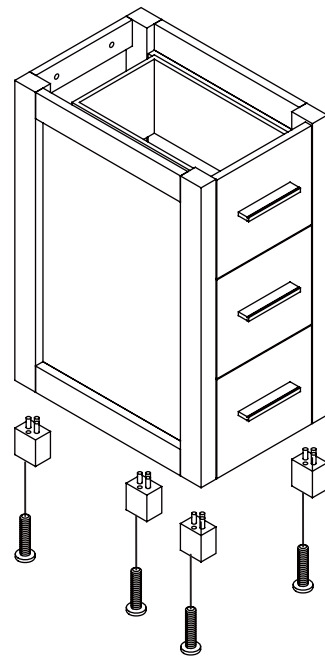
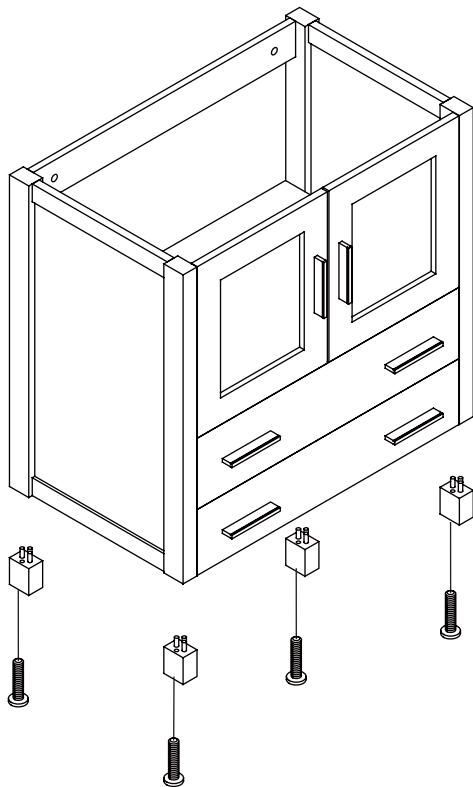
REMOVAL



INSTALLATION



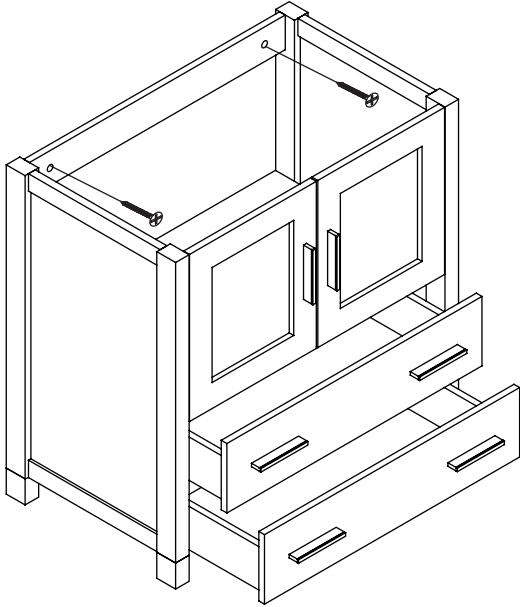
1 Install leg



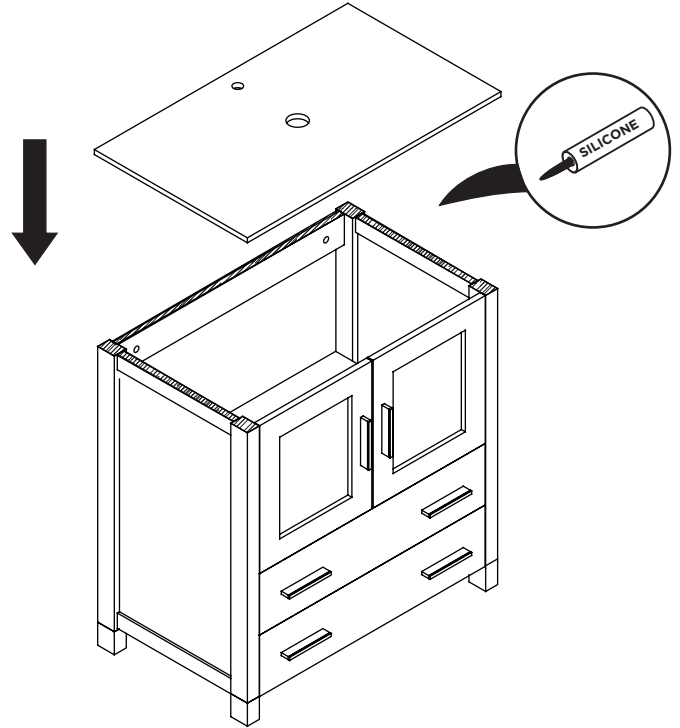
2 Remove drawer

3 Install cabinet

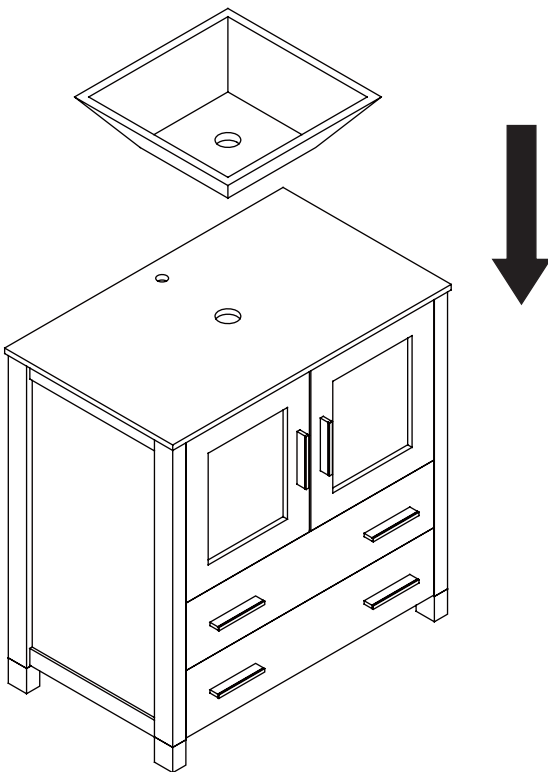
IMPORTANT: Consult an expert for the proper screws/bolts to use when attaching to various wall constructions. Screws provided do not attach to all wall construction types.



4 Install top panel

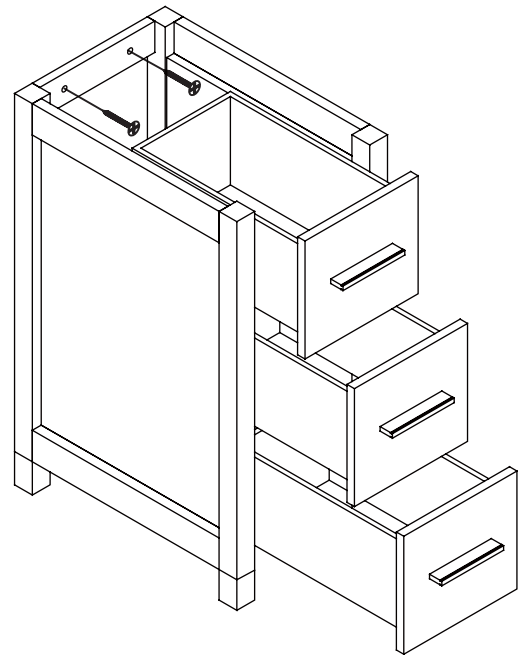


5 Install sink



6 Remove side cabinet drawer

7 Install side cabinet



8

Install side cabinet top panel

