

# Honeywell

---

Portable Air Conditioner  
Acondicionador de aire portátil  
Système de climatisation portatif

## OWNER'S MANUAL

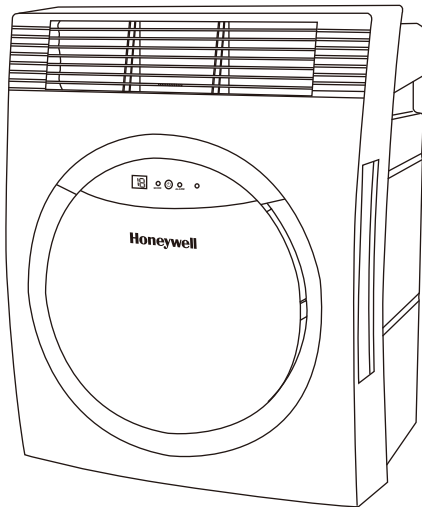
Read and save these instructions before use

## MANUAL DEL PROPIETARIO

Lea y guarde estas instrucciones antes de usar la unidad

## MANUEL DU PROPRIÉTAIRE

Lire et conserver ces instructions avant utilisation



**Model / Modelo / Modèle:**  
**MF08CESWW / MF08CESBB**

Voltage rating / Tensión / Tension nominale: 115V~60Hz

Power rating / Potencia / Puissance nominale: 700W

For product inquiries or support / Para consultas del producto o soporte /

Pour les questions sur les produits ou pour du soutien:

[www.honeywellportableac.com](http://www.honeywellportableac.com)

---

Customer Support / Atención al cliente / Soutien au client:  
1-800-474-2147

Made in China  
Hecho en China  
Fabriqué en Chine

Read all instructions carefully before setting up and operating the unit. Keep this instruction manual for future reference. This manual is designed to provide important information needed to setup, operate, maintain and troubleshoot your portable air conditioner. Failure to follow these instructions may void the warranty.

<b>SECTION</b>	<b>PAGE</b>
1. INDEX .....	1
2. THANK YOU.....	2
3. USER TIPS.....	3
4. SAFETY .....	4
5. PARTS DESCRIPTION.....	6
6. INSTALLATION.....	7
7. USE & OPERATION.....	10
8. CLEANING & MAINTENANCE.....	13
9. WATER CONDENSATION DRAINAGE.....	14
10. TROUBLESHOOTING GUIDE.....	15
11. TECHNICAL SPECIFICATIONS.....	16
12. SERVICE AND WARRANTY .....	17

Congratulations on your purchase of this versatile Honeywell Portable Air Conditioner.

Honeywell Portable Air Conditioners are ideal for spot cooling. The compressor, condenser and evaporator are housed in a compact unit. The air is filtered, dehumidified and cooled while a flexible air outlet hose sends heat outside. The air conditioner includes a window venting kit. No permanent installation is needed. The unit is easy to move from room to room and offers a truly flexible air conditioning solution.

Auto Evaporation System - The unit automatically evaporates the condensate through the air outlet hose. There is no need to empty the drainage tank except in very high humidity conditions.

Read and follow the instructions carefully.

## USER TIPS

To ensure optimal efficiency of the product, keep doors and windows closed when it is used as an air conditioner or dehumidifier.

If the product is being used with the fan function only, an open window could improve air circulation.



Cooling and Dehumidifying Operation



Fan Operation

**Important : Before installing the unit, place it UPRIGHT for 20 minutes before use to allow the refrigerant to stabilize.**

- Follow installation instructions to set up the unit.
- Plug the unit into a properly grounded circuit.

**READ AND SAVE THESE INSTRUCTIONS**

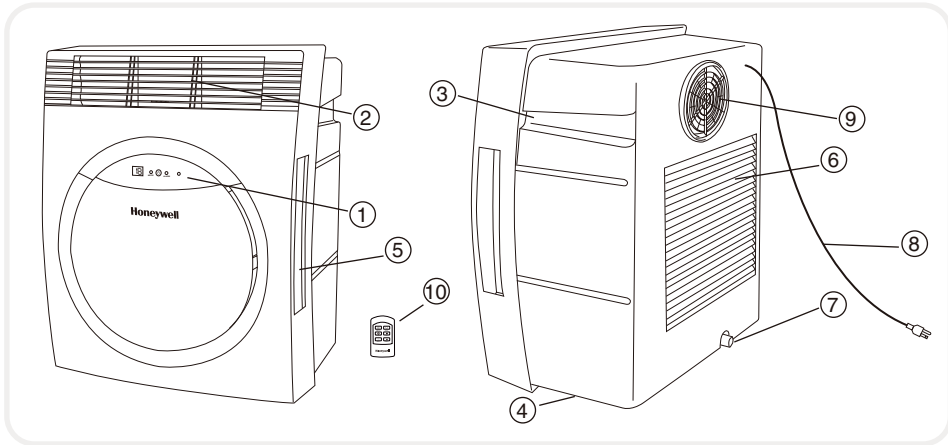
Improper handling can cause serious damage to the appliance.

**WARNING**

1. DO NOT operate the unit with a damaged plug or loose wall outlet. If the power cord is damaged, it must be replaced by the manufacturer or an authorized service agent.
2. DO NOT cover the air intake and exhaust when in use.
3. This appliance is not intended for use by children. Children should be supervised and should not play on or around the appliance.
4. DO NOT place objects on or sit on the unit.
5. Always turn off and unplug the unit when cleaning or servicing.
6. If service is needed contact an authorized service agent.
7. Unplug the unit when stored or not in use.

## SAFETY

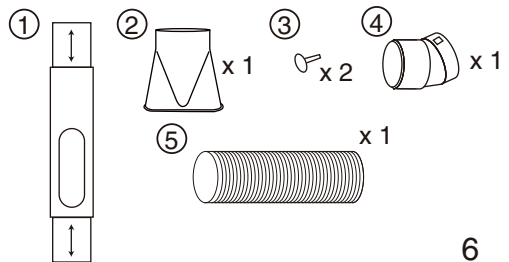
8. DO NOT run the power cord under carpeting and rugs.
9. Use caution to prevent tripping on cord.
10. DO NOT use in areas where gasoline, paint or other flammable goods are stored.
11. Basic safety precautions should always be followed when using electrical appliances.



- |  |                           |
|--|---------------------------|
| 1. Control Panel (Incl. Signal Receptor) | 6. Back Grill             |
| 2. Air Outlet                            | 7. Water Drain Cap        |
| 3. Handle                                | 8. Power Supply Cord      |
| 4. Casters                               | 9. Exhaust Hose Connector |
| 5. Air Filter                            | 10. Remote Control        |

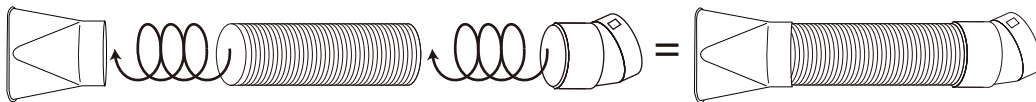
## Installation Kit :

- |                                      |          |
|--------------------------------------|----------|
| 1. Window Bracket Kit.....           | 1 Set    |
| 2. Window Bracket Panel Adapter..... | 1 Piece  |
| 3. Plastic Pin.....                  | 2 Pieces |
| 4. Hose Connector.....               | 1 Piece  |
| 5. Plastic Hose.....                 | 1 Piece  |

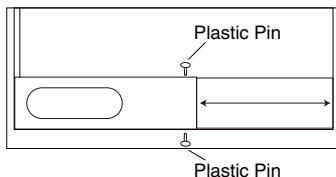


# INSTALLATION

- ① Install the plastic hose with window bracket adapter and hose connector on both sides. Ensure proper fit on both ends.

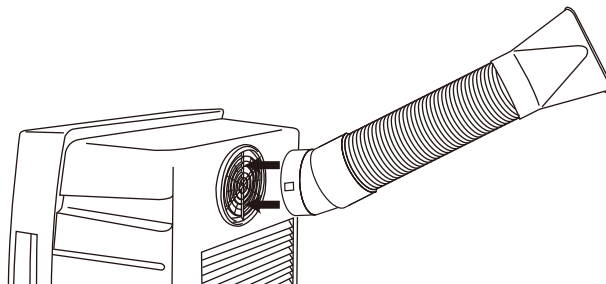


- ② Adjust the window bracket as per width or height of your window and insert the plastic pins to fix at the desired position.



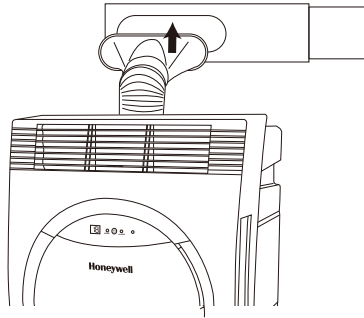
Note : Do not install the window bracket to your window. This step is required only to adjust it to the size of your window. The bracket should be removed from the window after the size is adjusted.

- ③ Connect the plastic hose to the hose connector on the back of the unit. Push-in then rotate clockwise.

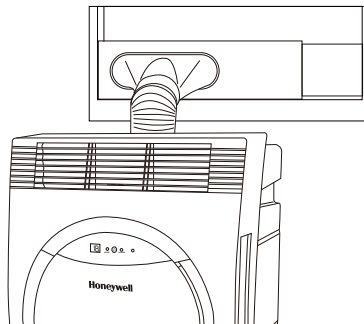




- ④ Connect the window bracket to the opposite end of the plastic hose. Ensure that all connections are tight and installed properly.



- ⑤ Connect the window bracket to the window.

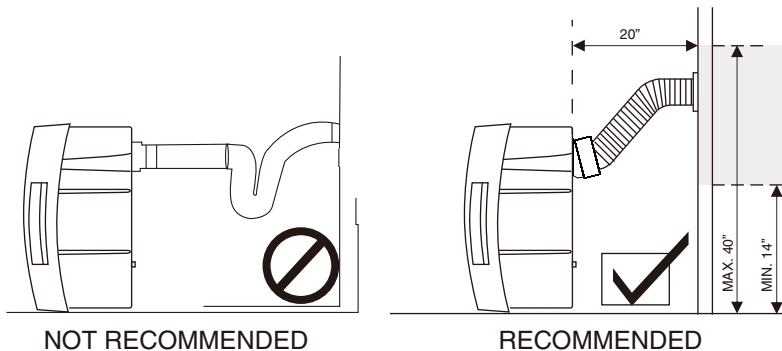


- ⑥ The Portable Air Conditioner is now ready to use.

# INSTALLATION

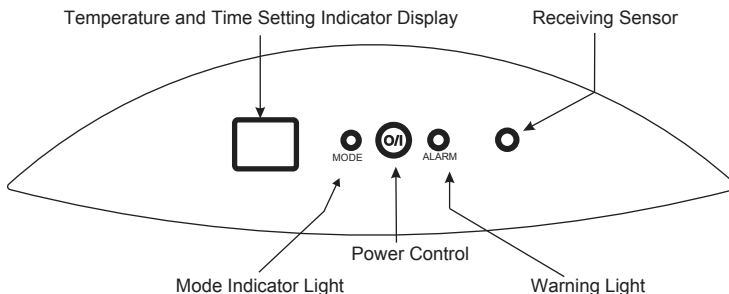
## Note:

1. The supplied exhaust hose can be extended from 12 inches (1 foot) to 47 inches (3.9 feet).
2. Do not bend (to the extent shown below) the exhaust hose.  
A bent hose will block exhaust air and cause the unit to malfunction or shut-off.



## Warning:

- The length of the exhaust hose is determined by the product specifications. Do not replace or lengthen it as this could cause the unit to malfunction.
- Make sure the back of the unit is at least 20 inches away from a wall.  
Do not place the unit in front of curtains or drapes as this could obstruct the airflow.



## Power Control

The Power Control turns the unit on and off. When switched on the unit will start on Auto mode.

## Warning Light

Condensed water may accumulate in the unit. If the internal tank becomes full, the Warning Light will shine red and the unit will not operate until the unit has been drained.

## Mode Indicator Light

Cooling Mode - Blue  
 Dehumidifying Mode - Orange  
 Fan Mode - Green

## Temperature and Time Setting Indicator Display

The indicator displays:

- Current temperature.
- Thermostat setting while changing the temperature.
- Timer hours during Timer setting.

When ambient temperature is higher than 122°F, the indicator shows "HI".

When ambient temperature is lower than 32°F, the indicator shows "LO".

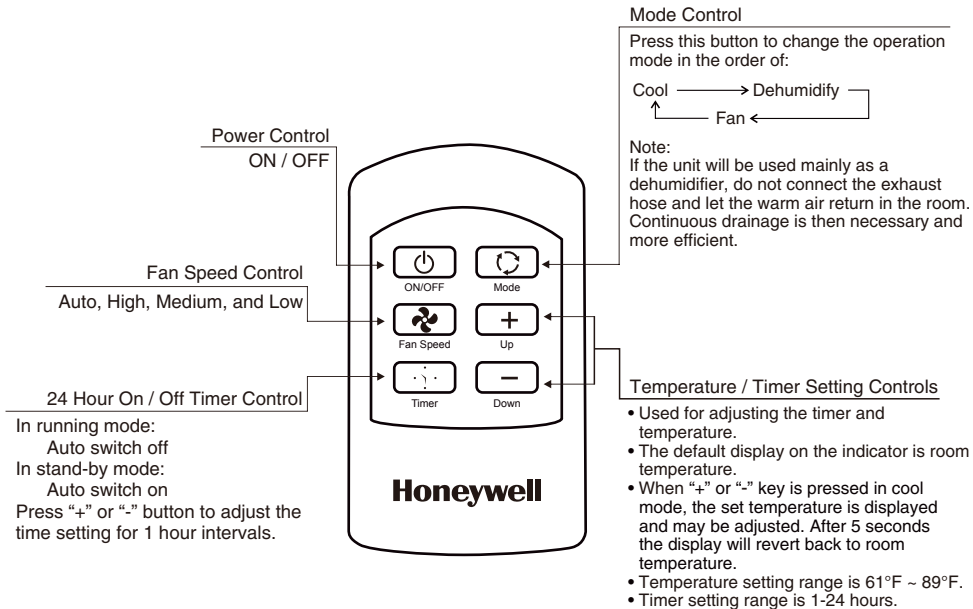
Note:

- Once thermostat or timer has been set the indicator will continue to display ambient temperature after 5 seconds.
- When setting the thermostat or timer the indicator will be flashing.

**After switching the air conditioner off, you must wait 3 minutes before switching it back on again.**

## Remote Control

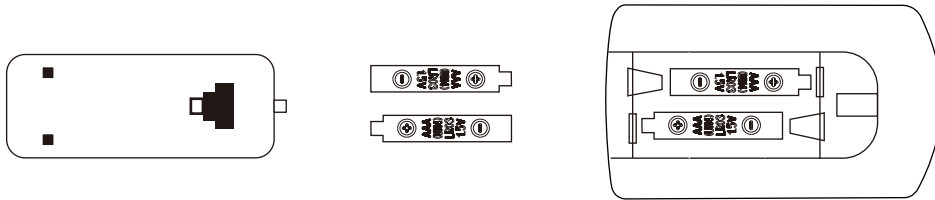
All functions can be accessed only from the remote control.



## Note :

- Do not place the remote control in direct sunlight.

**Battery Installation:** Remove the cover on the back of the remote control and insert two AAA batteries with “+” and “-” pointing in the proper direction according to the polarity markings.



**Caution** 

- Use only two AAA or IEC R03 1.5V batteries.
- Remove the batteries if the remote control is not in use for a month or longer.
- All batteries should be replaced at the same time, do not mix with old batteries.
- Properly dispose of used batteries.

### **Appliance Maintenance:**

1. Turn off the appliance before disconnecting the power supply.
2. Always clean the appliance with a soft dry cloth.

### **Air Filter Maintenance:**

The air filter should be cleaned every two weeks.

Clean it as follows:

1. Turn off the appliance and remove the air filter (refer to page 6, #5).
2. Rinse it in lukewarm water. After cleaning, dry in a shaded and cool place, then reinstall.

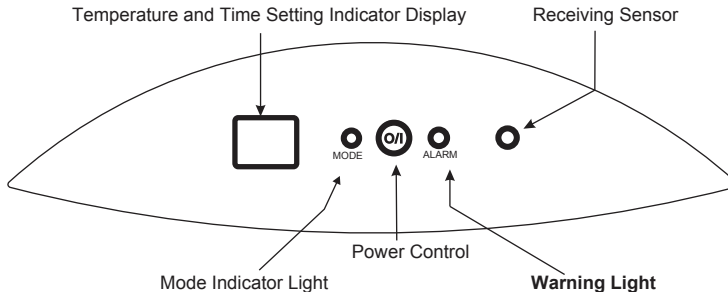
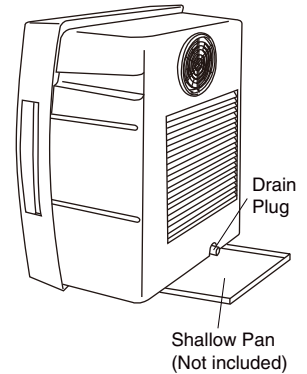
### **Maintenance After Use:**

1. If the appliance will not be used for a long time, be sure to drain the left-over water condensation.
2. Remove the water drain cap (refer to page 14) and use a shallow pan to collect the water.
3. To dry excess moisture, run the unit in fan mode for 30 minutes before storing.
4. Clean and reinstall air filter.
5. Remove air hose and window bracket and store with the portable air conditioner.

## Water Condensation Drainage

When there is excess water condensation inside the unit, the air conditioner stops running and shows a warning light (refer to diagram below). This indicates that the water condensation needs to be drained using the following procedure:

1. Unplug the unit from power source.
2. Place a shallow pan under the drain plug. See diagram.
3. Remove the drain plug.
4. Water will drain out and collect in the tray.
5. After the water is drained, replace the cap firmly.
6. You can now turn on the unit.



# TROUBLESHOOTING GUIDE

The following troubleshooting guide addresses the most common problems. If problems persist, call customer service. Unplug and disconnect the appliance from the power source before attempting to troubleshoot.

<b>Problem</b>	<b>Possible Cause</b>	<b>Solution</b>
The air conditioning unit does not start	<ul style="list-style-type: none"><li>• No electricity.</li><li>• Batteries in the remote control need to be replaced.</li><li>• The power cord is not properly plugged in.</li><li>• The safety GFI plug has tripped.</li></ul>	<ul style="list-style-type: none"><li>• Check for power.</li><li>• Change remote control batteries.</li><li>• Remove and reconnect the power cord.</li><li>• Reset the safety GFI plug, if problem persists contact our customer support.</li></ul>
Runs a short while only	<ul style="list-style-type: none"><li>• The thermostat temperature setting is too close to room temperature.</li><li>• Air outlet is blocked.</li><li>• There are tight bends in the air exhaust hose.</li></ul>	<ul style="list-style-type: none"><li>• Lower the set temperature.</li><li>• Make sure the exhaust hose is properly connected.</li><li>• Connect exhaust hose as per instructions on page 9.</li></ul>
Runs but no cooling	<ul style="list-style-type: none"><li>• A door or window is open.</li><li>• The air filter is dirty.</li><li>• The exhaust hose is detached.</li><li>• Temperature setting is too high.</li><li>• Air outlet or intake is blocked.</li></ul>	<ul style="list-style-type: none"><li>• Make sure the window or door is closed.</li><li>• Clean the air filter</li><li>• Reinstall exhaust hose properly (refer to page 9, Installation)</li><li>• Reduce temperature setting on control panel.</li><li>• Remove blockage.</li></ul>
Will not run and water full indicator light is ON	<ul style="list-style-type: none"><li>• Excess water condensation inside the tank.</li></ul>	<ul style="list-style-type: none"><li>• Drain the water through the drain plug (refer to page 14, Water Condensation Drainage).</li></ul>



Description of Product	Portable Air Conditioner
Model	MF08CESWW / MF08CESBB
Voltage/Frequency	115 V~ 60 Hz
Power Consumption	700W
Cooling capacity	8000 BTU
Dehumidifying capacity	61 pints / 24 hours
Refrigerant Type	R-410A
Timer	24 hour (ON / OFF)
Dimensions (W) x (H) x (D) (inches)	19.5 X 24.4 X 14.2 inches
Weight (lbs)	52 lbs

Electrical products should be properly disposed.  
Please recycle where facilities exist. Check with your local authority or retailer for recycling.



# SERVICE AND WARRANTY

## 5-YEAR LIMITED WARRANTY

1st year parts and labor.

5 years on all parts of the sealed system, consisting of the compressor, evaporator, condenser and factory connected refrigerant tubing.

- A. This warranty does not apply to any damage resulting from abusive, unreasonable use or damage. Defects that are the result of normal wear and tear will not be considered manufacturing defects under this warranty.

JMA NORTH AMERICA LLC IS NOT LIABLE FOR INCIDENTAL OR CONSEQUENTIAL DAMAGES OF ANY NATURE. ANY IMPLIED WARRANTY OF MERCHANTABILITY OR FITNESS FOR A PARTICULAR PURPOSE ON THIS PRODUCT IS LIMITED IN DURATION TO THE DURATION OF THIS WARRANTY.

Some jurisdictions do not allow the exclusion or limitation of incidental or consequential damages or limitations on how long an applied warranty lasts, so the above limitations or exclusions may not apply to you. This warranty gives you specific legal rights, and you also may have other rights which vary from jurisdiction to jurisdiction. This warranty applies only to the original purchaser of this product from the original date of purchase.

- B. At its option, JMA NORTH AMERICA LLC will repair or replace this product if it is found to be defective in material or workmanship.
- C. This warranty does not cover damage resulting from any unauthorized attempts to repair or from any use not in accordance with the instruction manual.

D. Please read the Instruction Manual carefully before setting up or using this product. If you believe this product to be suffering from a manufacturing fault, or if you have inquiries about this product, please contact our Customer Support:

CUSTOMER SUPPORT  
JMA North America LLC  
Mahwah, New Jersey 07495 USA  
Phone : 1-800-474-2147  
Email: info@jmana.us  
Web: www.honeywellportableac.com

When contacting our Customer Support, please have the information below along with the proof of purchase. All warranty requests must be accompanied by a proof of purchase, which is a copy of the original receipt.

Model : .....  
Date of purchase : .....  
Purchased from : .....

Lea todas las instrucciones de manera cuidadosa antes de encender y operar la unidad. Conserve este manual para referencias futuras. Este manual está diseñado para ofrecerle información importante necesaria para configurar, operar, mantener y reparar su acondicionador de aire portátil. No seguir estas instrucciones puede ocasionar daños o dañar el funcionamiento y por tanto, anular la garantía.

<b>SECCIÓN</b>	<b>PÁGINA</b>
1. ÍNDICE .....	19
2. AGRADECIMIENTO .....	20
3. USO RECOMENDADO .....	21
4. SEGURIDAD .....	22
5. DESCRIPCIÓN DE PARTES .....	24
6. INSTALACIÓN .....	25
7. USO Y OPERACIÓN .....	29
8. LIMPIEZA Y MANTENIMIENTO.....	31
9. DRENADO DE AGUA .....	32
10. GUÍA DE SOLUCIONES .....	33
11. ESPECIFICACIONES TÉCNICAS .....	34
12. SERVICIO Y GARANTIA .....	35

Felicidades por la compra de este versátil Acondicionador de aire portátil Honeywell.

Los acondicionadores de aire portátiles Honeywell son ideales para el enfriamiento de lugares. El compresor, condensador y evaporador están alojados dentro de una unidad compacta. La unidad filtra, deshumidifica y enfría el aire. Una manguera flexible de salida de aire envía el calor al exterior. Esta unidad incluye un equipo de ventilación por ventanas. Los acondicionadores de aire portátiles le ofrecen una solución flexible para el acondicionamiento de aire.

Sistema de auto evaporación - La unidad automáticamente evapora la condensación a través de la manguera de salida. No hay necesidad de vaciar el tanque de drenaje.

Lea cuidadosamente estas instrucciones.

## USO RECOMENDADO

Para asegurar una eficiencia óptima del producto, recomendamos mantener las puertas y ventanas cerradas cuando esté en operación como acondicionador de aire o deshumidificador.

Si el producto se usa tan sólo con la función de ventilador, coloque la unidad cerca de una ventana abierta, de manera que la unidad pueda atraer el aire exterior, y el aire que circula en la habitación salga por la puerta.



Función Enfriamiento  
y deshumidificador



Función ventilador

**Importante: Después de transportarlo coloque la unidad en posición vertical para permitir que el refrigerante se estabilice y espere 20 minutos antes de usarlo.**

- Siga las instrucciones de instalación para configurar su unidad.
- Conecte la unidad a un circuito conectado adecuadamente a tierra.

**LEA Y GUARDE ESTAS INSTRUCCIONES**

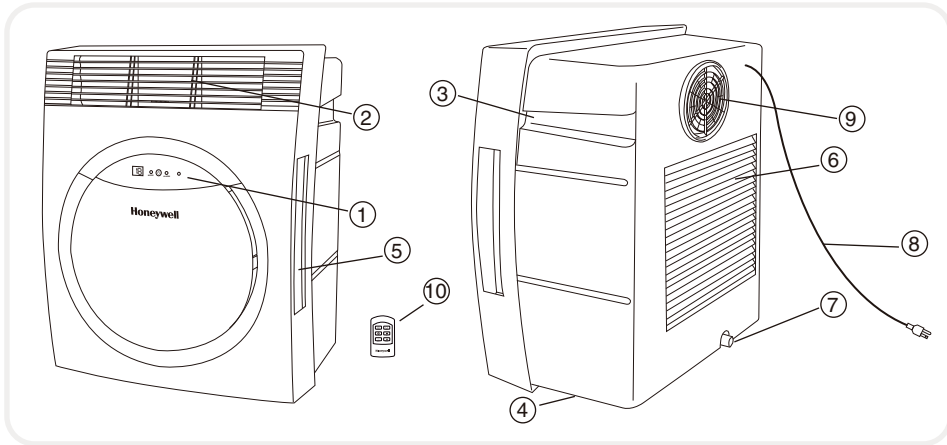
El manejo indebido puede ocasionar serios daños al aparato.

**PRECAUCIÓN**

1. Si el cordón de alimentación es dañado, éste debe sustituirse por el Fabricante, por su agente de servicio autorizado o por personal calificado con el fin de evitar un peligro.
2. No cubra la entrada de aire y de escape cuando está en uso.
3. Este aparato no está diseñado para ser usado por niños. Los niños deben ser supervisados para asegurarse de que no jueguen con el aparato.
4. No coloque objetos sobre o se sienta sobre la unidad.
5. Siempre apague y desconecta la unidad cuando la limpie o repare.
6. Si es necesario el contacto con un agente de servicio autorizado.
7. Desconectar la unidad cuando no esté en uso o en reparación.

8. No haga funcionar el cable de alimentación debajo de alfombras y tapetes.
9. Tenga cuidado para evitar tropezar con el cable.
10. No lo use en áreas donde los bienes gasolina, pintura u otros inflamables almacenados.
11. Las precauciones básicas de seguridad siempre se deben seguir cuando se utilizan aparatos eléctricos.



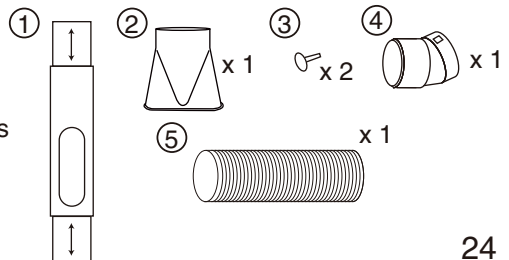


1. Panel de control  
(Incluye receptor de señal)
2. Salida de aire
3. Mango
4. Ruedas
5. Filtro de aire

6. Grilla trasera
7. Tapa de desagüe
8. Cable de corriente eléctrica
9. Conector de la Manguera
10. Control Remoto

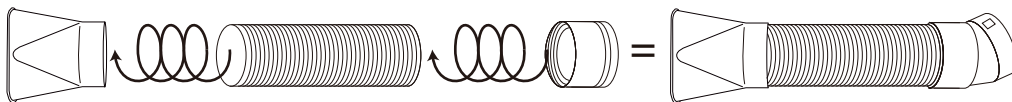
## Kit de instalación :

1. Equipo deslizante para ventana/ puerta .. 1 juego
2. Adaptador para panel de ventana ..... 1 pieza
3. Perno de plástico ..... 2 piezas
4. Conector de manguera ..... 1 pieza
5. Manguera plástica ..... 1 pieza

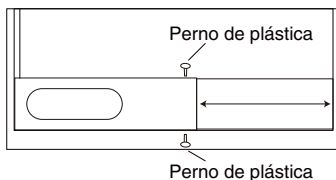


# INSTALACIÓN

- ① Instale la manguera plástica a su adaptador del anaquel de ventana y el conector de manguera en ambos lados. Asegurar un ajuste apropiado en ambos extremos.

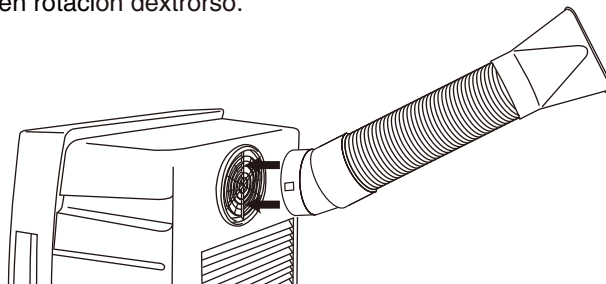


- ② Ajuste el anaquel de ventana según la anchura o la altura de su ventana, y luego inserte un tornillo plástico para fijar en la posición deseada.

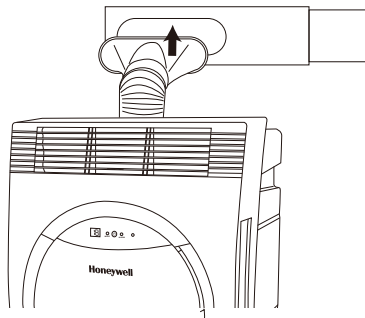


Nota: No instale por el momento el anaquel de ventana a su ventana, este paso es solo requerido para ajustar el anaquel según el tamaño de su Ventana. El anaquel tiene que ser quitado de la ventana después de que el tamaño es ajustado.

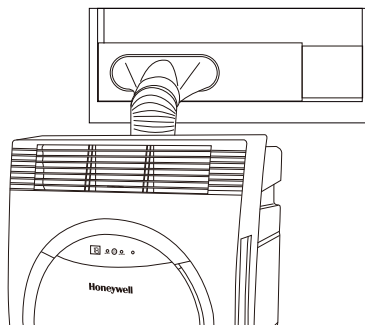
- ③ Conectar la manguera plástica al conector de manguera sobre la parte posterior de su unidad empuje en rotación dextrorso.



- ④ Conectar el soporte de ventana en el extremo opuesto de la manguera de plástico. Asegúrese de que las conexiones estén apretadas y correctamente instaladas.



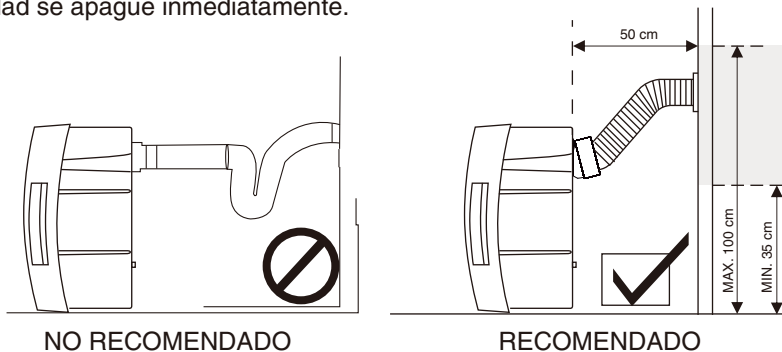
- ⑤ Finalmente conectar el anaquele de ventana a su ventana.



- ⑥ Su Aire acondicionado portátil está listo para usarse.

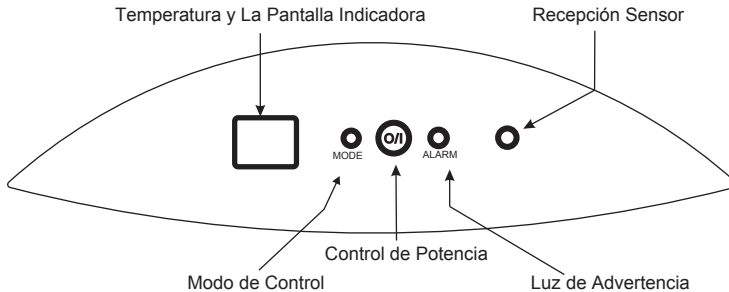
## Nota:

1. La manguera de salida proporcionada puede extenderse de 300 mm a 1200 mm. Para mejores resultados, use la menor longitud posible.
2. Impida cualquier doblez o lazo (como los que se muestran abajo) en la manguera de salida. Una manguera doblada bloqueará el aire de salida y ocasionará que la unidad se apague inmediatamente.



## Advertencia:

- La longitud de la manguera de salida está especialmente diseñada de acuerdo con las especificaciones del producto. No la reemplace o la alargue con ninguna otra manguera, pues esto podría dañar su aparato.
- Asegúrese que la parte trasera de la unidad esté a al menos 50 cm de distancia de la pared.



## Control de Potencia

El control de potencia se convierte en la unidad de encendido y apagado. Cuando se enciende la unidad se iniciará en modo Auto.

## Luz de Advertencia

El agua condensada se puede acumular en la unidad. Si el interior del tanque se llena, la luz de advertencia brillará de color rojo y la unidad dejará de funcionar hasta que el agua sea drenada.

## Modo LED Indicador de funcionamiento

Modo de enfriamiento - Azul

Modo de deshumidificación - Naranja

Modo de ventilador - Verde

## Temperatura y la pantalla indicadora para ajuste del temporizador

El indicador muestra:

- La temperatura actual.
- Regulador del termostato mientras se cambia la temperatura.
- Horas durante el ajuste del temporizador.

Cuando la temperatura ambiente es superior a 122°F, el indicador muestra "HI".

Cuando la temperatura ambiente es inferior a 32°F, el indicador muestra "LO".

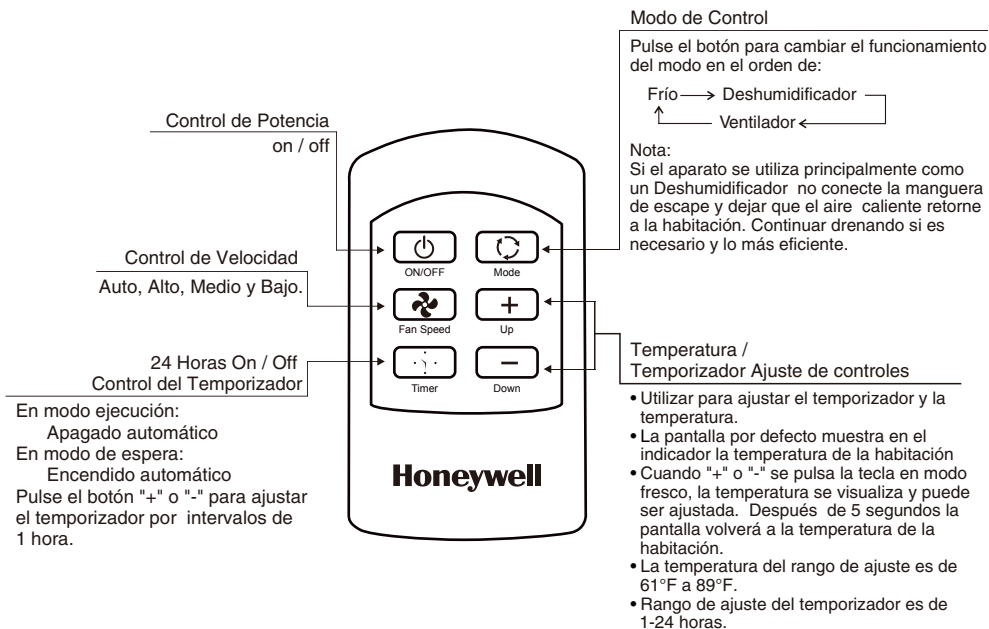
Nota:

- Una vez que el termostato o el temporizador han sido programados el indicador continuará mostrando la temperatura ambiente durante 5 segundos.
- Al ajustar el termostato o el temporizador el indicador estará parpadeando.

Después de encender el acondicionador de aire, debe esperar 3 minutos antes de encenderlo de nuevo.

## CONTROL REMOTO

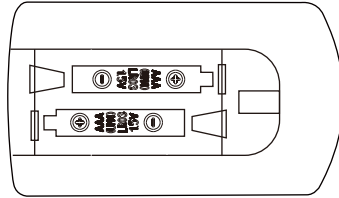
Las funciones trabajan igual que los controles táctiles de los acondicionadores de aire portátil. Todas las funciones de las teclas se puede acceder desde el control remoto.



### Nota :

- No coloque el control remoto en un lugar expuesto a sunlight directa.

Instalación de baterías: quite la cubierta en la parte trasera del control remoto e inserte las baterías con los polos “+” y “-” apuntando a la dirección correcta.



## Precaución

- Use sólo baterías AAA ó IEC R03 1,5V.
- Retire las baterías si el control remoto no se va a utilizar por más de un mes.
- Todas las baterías deben reemplazarse al mismo tiempo, no mezclar con baterías viejas.
- Deshágase de las baterías usadas.

## **Mantenimiento Del Aparato:**

1. Apague el aparato antes de desconectarlo de la corriente eléctrica.
2. Limpie con un lienzo suave y seco.

## **Mantenimiento Del Filtro De Aire:**

Es necesario limpiar el filtro de aire después de 2 semanas de uso.

Hágalo de la siguiente manera:

1. Apague el aparato antes de quitar el filtro de aire.
2. Se lave con una solución de detergente en agua tibia. Después de limpiarlo, séquelo en un lugar sombreado y frasco, después reinstale.

## **Mantenimiento Después Del Uso:**

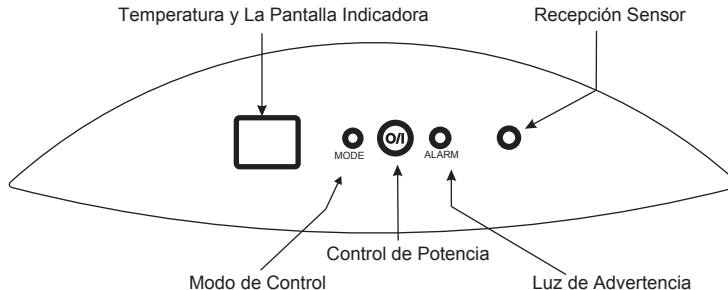
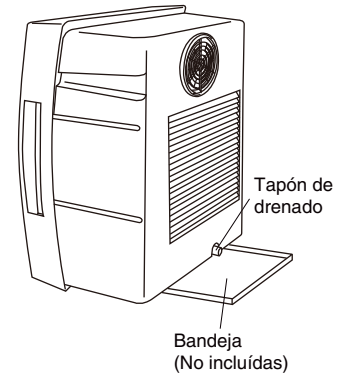
1. Si el aparato no se usará por un periodo prolongado de tiempo, asegúrese de drenar el agua al quitar el tapón de hule del orificio de drenado.
2. Antes de almacenarlo, encienda la unidad en el modo de ventilación por unas horas para secar cualquier humedad en la turbina e impedir la formación de moho.
3. Apague el aparato y desconecte el enchufe de la corriente eléctrica Saque las baterías del control remoto.
4. Limpie el filtro de aire y reinstálo.
5. Quite las mangueras de aire y guárdelos en un lugar seguro. Coloque cubiertas sobre los orificios de aire de la unidad.



## Drenado de agua

Cuando hay exceso de agua de condensación en el interior de la unidad, el aire acondicionado deja de funcionar y muestra una luz de advertencia (ver diagrama a continuación). Esto indica que la condensación de agua debe ser drenado mediante el siguiente procedimiento:

1. Desenchufe la unidad de la fuente de alimentación.
2. Coloque una bandeja de poca altura debajo del tapón de drenaje. Vea el diagrama.
3. Retire el tapón de drenaje.
4. El agua se drene y se acumulan en la bandeja.
5. Después de que el agua es drenada, cierre la tapa firmemente.
6. Ahora puede encender la unidad.



# GUÍA DE SOLUCIONES

La siguiente guía solución de problemas aborda los problemas más comunes. Si los problemas persisten, llame a servicio al cliente. Desconecte el aparato de la corriente eléctrica antes de intentar reparar cualquiera.

<b>Problema</b>	<b>Posible Causa</b>	<b>Solución</b>
El equipo de aire acondicionado no opera	<ul style="list-style-type: none"><li>• No electricidad.</li><li>• Pilas de control remoto están bajas.</li><li>• El cable eléctrico no está enchufado apropiadamente.</li><li>• El dispositivo de seguridad en la clavija se ha roto.</li></ul>	<ul style="list-style-type: none"><li>• Revisar la corriente de luz.</li><li>• Cambiar las baterías del control remoto.</li><li>• Remover y reconectar el cable eléctrico.</li><li>• Resetear el dispositivo protector, si el problema persiste contactar al servicio.</li></ul>
La unidad funciona solo por un corto tiempo	<ul style="list-style-type: none"><li>• La temperatura es demasiado parecida a la temperatura ambiente.</li><li>• La salida de aire está bloqueada por algún objeto.</li><li>• Existe polvo o pelusas en la manguera de la salida de aire.</li></ul>	<ul style="list-style-type: none"><li>• Disminuir la temperatura establecida.</li><li>• Revisar no haya obstáculos en la salida de aire.</li><li>• Eliminar pelusas o residuos.</li></ul>
Funciona pero no enfría	<ul style="list-style-type: none"><li>• Una puerta o ventana están abiertas.</li><li>• El filtro de aire está sucio.</li><li>• La manguera de escape se separa.</li><li>• La temperatura configurada es demasiado alta.</li><li>• La salida o entrada de aire están bloqueadas.</li></ul>	<ul style="list-style-type: none"><li>• Hacer que la puerta o ventana está cerrada.</li><li>• Limpiar o remplazar el filtro.</li><li>• Conectar la manguera de aire.</li><li>• Reducir la temperatura en el panel de control.</li><li>• Revisar que entre y salga suficiente aire en el equipo.</li></ul>
No funciona en absoluto y la luz indicadora del exceso de agua está en ENCENDIDO	<ul style="list-style-type: none"><li>• El tanque adentro de la unidad está lleno.</li></ul>	<ul style="list-style-type: none"><li>• Drene el agua a través del orificio de drenado.</li></ul>

<b>Descripción del producto</b>	<b>Aire Acondicionado Portátil</b>
Modelo	MF08CESWW / MF08CESBB
Voltaje / Frecuencia	115 V~ 60 Hz
Potencia	700W
Capacidad de enfriamiento	8000 BTU
Capacidad deshumidificadora	28,8 litros / 24 hours
Refrigerante	R-410A
Timer	24 hour (ON / OFF)
Dimensiones (W) x (H) x (D) (mm)	495 X 620 X 360 mm
Peso (Kg)	23.6 Kg

Los productos eléctricos de desecho, no deben desecharse con el desperdicio doméstico. Recíclelos donde existan instalaciones para ello. Pida asesoría a su autoridad o minorista local.



## **GARANTÍA LIMITADA DE 5 AÑOS**

1 año en piezas y mano de obra.

5 años en todas las piezas del sistema de sellado, que consiste en el compresor, evaporador, condensador y la tubería refrigerante conectada de fábrica.

- A. La garantía no cubre ningún daño resultante de un uso comercial, abusivo o irracional, ni daños causados intencionadamente. Los defectos resultantes del uso normal y la rotura no se considerarán defectos de fabricación a efectos de esta garantía.

JMA NORTH AMERICA LLC NO ES RESPONSABLE DE LOS DAÑOS SECUNDARIOS O DERIVADOS DE NINGUNA NATURALEZA. CUALQUIER GARANTÍA TÁCITA DE COMERCIABILIDAD O DE PREPARACIÓN PARA UN USO CONCRETO DE ESTE PRODUCTO QUEDA LIMITADA A LA DURACIÓN DE ESTA GARANTÍA.

Algunas jurisdicciones no permiten la inclusión o limitación de los daños accidentales o derivados del uso o sobre el periodo de duración de la garantía, de forma que las limitaciones indicadas pueden no afectarle. Esta garantía le otorga derechos legales específicos, pero usted también puede tener otros derechos que varíen de una jurisdicción a otra. Esta garantía solamente se aplicará al comprador original del producto y comenzará en la fecha original de la compra.

- B. Dado el caso, JMA NORTH AMERICA LLC reparará o sustituirá este producto si se detecta algún defecto de material o de manipulación.
- C. La garantía no cubre el daño causado por cualquier intento no autorizado de reparar el producto, ni el derivado de no utilizarlo de acuerdo con el manual de instrucciones.

- D. Por favor, lea el manual de instrucciones detenidamente antes de configurar o de utilizar este producto. Si considera que este producto sufre un defecto de fabricación, o si tiene dudas sobre el mismo, por favor contacte con nuestro Servicio de Atención al Cliente:

## CUSTOMER SUPPORT

JMA North America LLC

Mahwah, New Jersey 07495 USA

Phone : 1-800-474-2147

Email: info@jmana.us

Web: [www.honeywellportableac.com](http://www.honeywellportableac.com)

Cuando contacte con nuestro Servicio de Atención al Cliente, por favor tenga la siguiente información preparada como prueba de compra. Todas las solicitudes de cobertura de la garantía tendrán que ir acompañadas de una prueba de compra, que será una copia de la factura original.

Model : .....  
Fecha de compra : .....  
Punto de venta : .....

Lisez attentivement toutes les instructions avant d'installer et d'utiliser l'appareil. Conserver ce manuel d'instructions pour référence future. Ce manuel est destiné à fournir des informations importantes et nécessaires pour configurer, exploiter, entretenir et dépanner votre climatiseur portatif. Le fait de ne pas respecter ces instructions peut entraîner l'annulation de la garantie.

SECTION	PAGE
1. INDEX .....	37
2. MERCI .....	38
3. CONSEILS D'UTILISATION .....	39
4. SÉCURITÉ .....	40
5. DESCRIPTION DES PIÈCES .....	42
6. INSTALLATION .....	43
7. UTILISATION ET FONCTIONNEMENT .....	46
8. NETTOYAGE ET ENTRETIEN .....	49
9. DRAINAGE DE L'EAU DE CONDENSATION .....	50
10. GUIDE DE DÉPANNAGE .....	51
11. CARACTÉRISTIQUES TECHNIQUES .....	52
12. SERVICE ET GARANTIE .....	53

Félicitations pour votre achat de ce polyvalent Système de climatisation portatif Honeywell.

Les climatiseurs portatifs Honeywell sont idéals pour le refroidissement localisé. Le compresseur, le condenseur et l'évaporateur sont logés dans une unité compacte. L'air est filtré, déshumidifié et refroidi tandis qu'un tuyau souple d'évacuation d'air transporte la chaleur à l'extérieur. Le climatiseur comprend une trousse de ventilation pour la fenêtre. Aucune installation permanente est nécessaire. L'appareil est facile à déplacer d'une pièce à l'autre et offre une solution de climatisation tout à fait flexible.

Système d'évaporation automatique - L'unité évapore automatiquement l'eau de condensation à travers le tuyau de sortie d'air. Il n'est pas nécessaire de vider le réservoir de drainage, sauf dans des conditions de très forte humidité.

Lisez et suivez les instructions attentivement.

## CONSEILS D'UTILISATION

Pour assurer l'efficacité optimale du produit, garder les portes et les fenêtres fermées quand il est utilisé comme climatiseur ou déshumidificateur.

Si le produit est utilisé avec la fonction du ventilateur seulement, une fenêtre ouverte pourrait améliorer la circulation de l'air.



Opération de refroidissement et de déshumidification



Fonctionnement du ventilateur

**Important : Avant d'installer l'appareil, placez-le en POSITION VERTICALE pendant 20 minutes avant utilisation pour permettre au réfrigérant de se stabiliser.**

- Suivez les instructions d'installation pour configurer l'appareil.
- Branchez l'appareil dans un circuit mis à la terre.



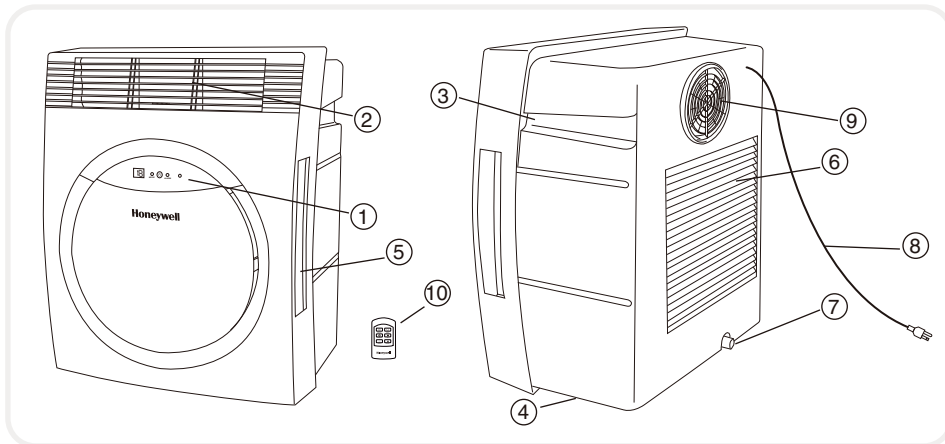
**LIRE ET CONSERVER CES INSTRUCTIONS**

Une mauvaise manipulation peut causer de graves dommages à l'appareil.

**AVERTISSEMENT**

1. NE PAS utiliser l'appareil avec une prise endommagée ou une prise de courant murale lâche. Si le cordon d'alimentation est endommagé, il doit être remplacé par le fabricant ou par un agent de service autorisé.
2. NE PAS couvrir l'entrée d'air et d'évacuation lors de son utilisation.
3. Cet appareil n'est pas destiné à être utilisé par les enfants. Les enfants doivent être surveillés et ne devraient pas jouer sur ou autour de l'appareil.
4. NE PAS vous asseoir ou placer des objets sur l'appareil.
5. Éteindre et débrancher l'appareil pendant le nettoyage ou l'entretien.
6. Si un entretien est nécessaire, contactez un agent de service autorisé.
7. Débranchez l'appareil lorsqu'il est entreposé ou non utilisé.

8. Ne courez pas le cordon d'alimentation sous la moquette et les tapis.
9. Faites preuve de prudence pour éviter de trébucher sur le cordon.
10. NE PAS utiliser dans les zones où de l'essence, de la peinture ou d'autres produits inflammables sont entreposés.
11. Des précautions de sécurité doivent toujours être suivies lors de l'utilisation d'appareils électriques.



1. Panneau de commandes  
(incl. récepteur de signal)

2. Sortie d'air

3. Poignée

4. Roulettes

5. Filtre à air

6. Grillage arrière

7. Bouchon de vidange

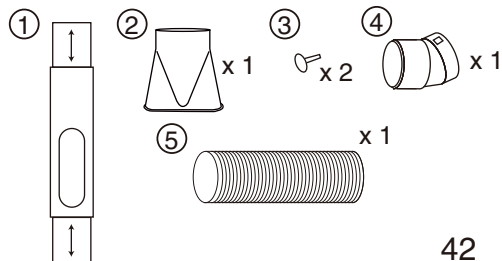
8. Cordon d'alimentation

9. Connecteur de tuyau d'évacuation

10. Télécommande

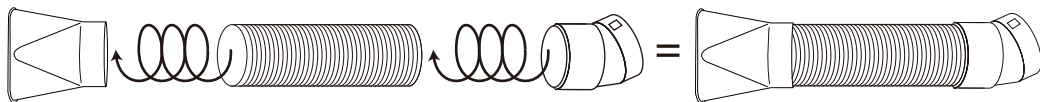
## Trousse d'installation :

- 1. Trousse de support de fenêtre..... 1 Jeu
- 2. Adaptateur pour panneau de support de fenêtre..... 1 Pièce
- 3. Cheville en plastique..... 2 Pièces
- 4. Connecteur de tuyau..... 1 Pièce
- 5. Tuyau souple en plastique ..... 1 Pièce

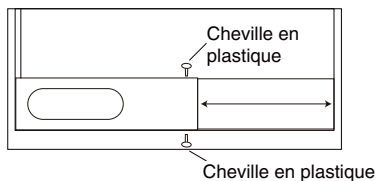


# INSTALLATION

- ① Installer le tuyau souple en plastique à l'aide d'un adaptateur de support de fenêtre et d'un connecteur de tuyau sur les deux côtés. Assurer un bon ajustement sur les deux extrémités.

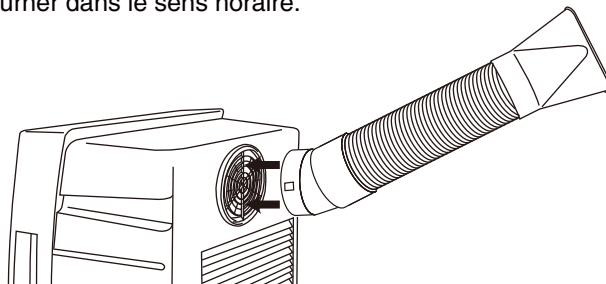


- ② Ajuster le support de fenêtre selon la largeur ou la hauteur de votre fenêtre, et insérer les chevilles en plastique pour fixer à la position désirée.

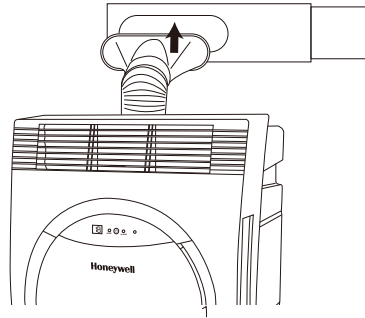


Remarque : Ne pas installer le support de fenêtre à votre fenêtre. Cette étape est nécessaire seulement pour l'adapter à la taille de votre fenêtre. Le support doit être retiré de la fenêtre après l'ajustement de la taille.

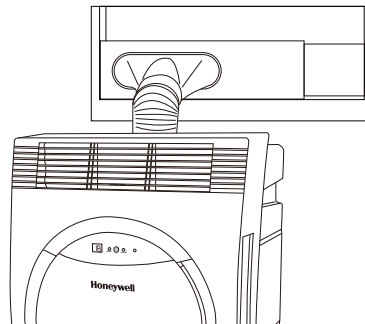
- ③ Connecter le tuyau de plastique au connecteur de tuyau à l'arrière de l'appareil. Pousser puis tourner dans le sens horaire.



- ④ Connecter le support de fenêtre à l'extrémité opposée du tuyau en plastique. Assurez-vous que toutes les connexions sont serrées et correctement installées.



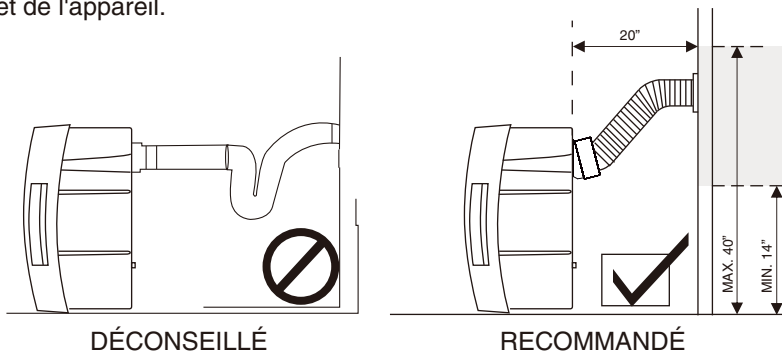
- ⑤ Connecter le support de fenêtre à la fenêtre.



- ⑥ Le climatiseur portatif est maintenant prêt à être utilisé.

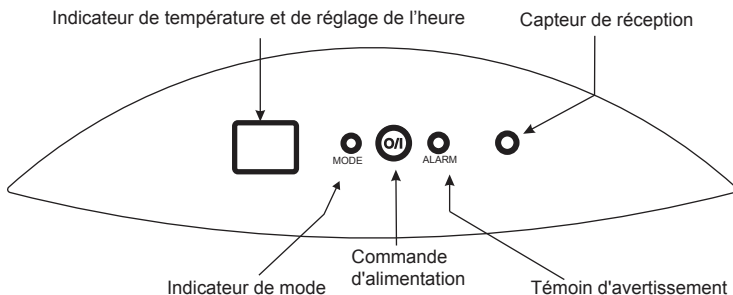
## Remarque :

1. Le tuyau d'évacuation fourni peut être prolongé de 30 cm à 1,2 mètre.
2. Ne pliez pas le tuyau d'évacuation (de la façon illustrée ci-dessous).  
Un tuyau courbé va bloquer l'évacuation de l'air et provoquer le dysfonctionnement ou l'arrêt de l'appareil.



## Avertissement :

- La longueur du tuyau d'évacuation est déterminée par les caractéristiques du produit. Ne pas remplacer ou allonger, car cela pourrait provoquer le dysfonctionnement de l'appareil.
- Assurez-vous que l'arrière de l'appareil est à au moins 50 centimètres d'un mur. Ne pas placer l'appareil en face de rideaux ou tentures, car cela pourrait gêner la circulation de l'air.



## Commande de l'alimentation

La commande d'alimentation met l'appareil sous et hors tension.

## Témoin d'avertissement

De l'eau de condensation peut s'accumuler dans l'appareil. Si le réservoir interne est plein, le voyant d'alimentation clignotera et l'appareil ne fonctionnera pas tant que l'appareil n'a été vidangé.

## Indicateur de mode d'opération DEL

Mode de refroidissement — Bleu  
Mode de déshumidification — Orange  
Mode ventilation — Vert

## Affichage de l'indicateur de température et réglage de la minuterie

L'indicateur affiche :

- La température actuelle.
- Le réglage du thermostat lors du changement de température.
- Les heures lors du réglage de la minuterie.

Lorsque la température ambiante est supérieure à 50 °C, l'indicateur affiche "HI".

Lorsque la température ambiante est inférieure à 0 °C, l'indicateur affiche "LO".

Remarque :

- Une fois le thermostat ou la minuterie en fonction, l'indicateur continuera à afficher la température ambiante après 5 secondes.
- L'indicateur clignote lors du réglage du thermostat ou de la minuterie.

**Après avoir mis le climatiseur hors tension, vous devez attendre 3 minutes avant de le rallumer.**

## Télécommande

Toutes les fonctions sont accessibles uniquement à partir de la télécommande.

Commande de l'alimentation  
ON/OFF (MARCHE/ARRÊT)

Commande de vitesse du ventilateur  
Automatique, High, Medium, and Low.  
(Automatique, Haut, Moyen, et Bas)

Commande de la minuterie  
ON/OFF sur 24 heures

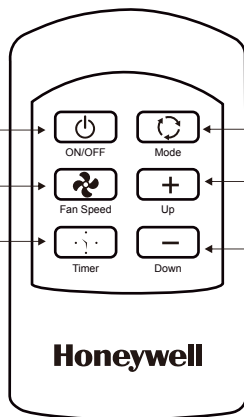
En mode de marche:

Arrêt (OFF) automatique

En mode veille:

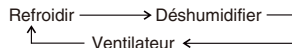
Marche (ON) automatique

Appuyez sur touche "+" ou "-" pour ajuster le réglage de l'heure par intervalles d'une heure.



Commande de mode

Appuyer sur ce bouton pour changer le mode de fonctionnement de l'ordre de:



Remarque :

Si l'appareil est utilisé principalement comme déshumidificateur, ne pas brancher le tuyau d'évacuation et laisser l'air chaud circuler dans la pièce.

Un drainage continu est alors nécessaire et plus efficace.

Température / Commande de minuterie

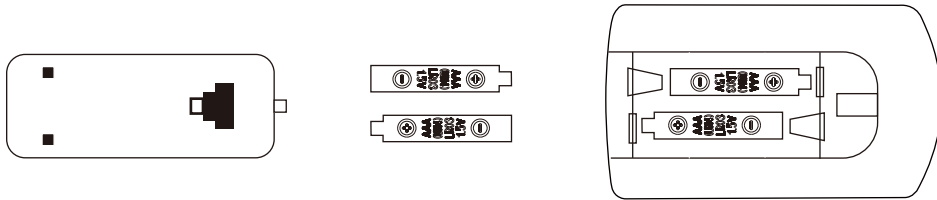
- Utilisé pour régler la minuterie et la température.
- L'affichage de la valeur par défaut est la température ambiante.
- Lorsque la touche "+" ou "-" est enfoncée en mode refroidissement, la température réglée est affichée et peut être ajustée. Après 5 secondes, l'affichage revient à la température ambiante.
- La plage de réglage de la température est de 16 °C à 32 °C.
- La plage de réglage de la minuterie est de 1 à 24 heures.

## Remarque :

- Ne placez pas la télécommande en plein soleil.



Installation de la pile : Retirer le couvercle au dos de la télécommande et insérez deux piles AAA avec "+" et "-" correctement alignés.



## Attention

- Utiliser seulement deux piles AAA ou IEC R03 1,5 V.
- Retirer les piles si la télécommande n'est pas utilisée pendant un mois ou plus.
- Toutes les piles doivent être remplacées en même temps; ne pas mélanger avec des piles usagées
- Disposer des piles usagées selon les consignes du fabricant.

## **Entretien de l'appareil :**

1. Éteindre l'appareil avant de débrancher l'alimentation électrique.
2. Nettoyer toujours l'appareil à l'aide d'un chiffon sec et doux.

## **Entretien du filtre à air :**

Le filtre à air doit être nettoyé toutes les deux semaines.

Nettoyer comme suit :

1. Éteindre l'appareil et retirer le filtre à air. (Se référer à la page 42, n° 5)
2. Rincer à l'eau tiède. Après le nettoyage, sécher dans un endroit ombragé et frais, puis réinstaller le filtre.

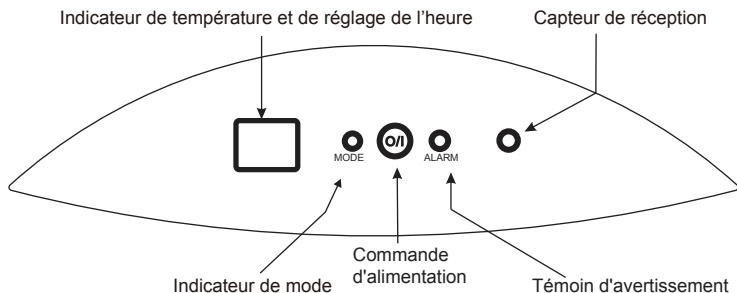
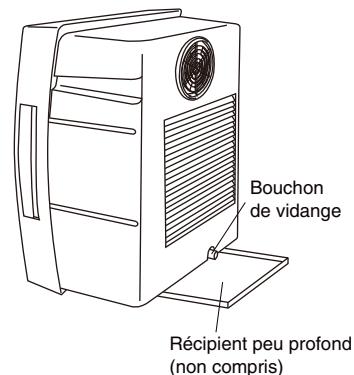
## **Entretien après utilisation :**

1. Si l'appareil reste inutilisé pendant une longue période, vider l'eau de condensation restante.
2. Retirer le bouchon de vidange d'eau (voir page 50) et utiliser un récipient peu profond pour recueillir l'eau.
3. Pour sécher l'excès d'humidité, faire fonctionner l'unité en mode ventilateur pendant 30 minutes avant de le ranger.
4. Nettoyer et réinstaller le filtre à air.
5. Retirer le tuyau d'air et le support de fenêtre puis les ranger avec le climatiseur portatif.

## Drainage de l'eau de condensation

Lorsqu'il y a un excès d'eau de condensation à l'intérieur de l'appareil, le climatiseur s'arrête et affiche un témoin lumineux (voir page 46). Ce témoin indique que l'eau de condensation doit être vidangée en utilisant les procédures suivantes :

1. Débrancher l'appareil de sa source d'alimentation.
2. Placez un récipient peu profond sous le bouchon de vidange. Voir le schéma.
3. Retirer le bouchon de vidange.
4. L'eau va s'écouler et s'accumuler dans le bac.
5. Une fois l'eau drainée, replacer fermement le bouchon.
6. Vous pouvez maintenant allumer l'appareil.



Le guide de dépannage suivant aborde les problèmes les plus courants. Si le problème persiste, appeler le service à la clientèle. Débrancher et déconnecter l'appareil de la source d'alimentation avant de tenter de résoudre les problèmes.

<b>Problème</b>	<b>Cause possible</b>	<b>Solution</b>
L'unité de conditionnement d'air ne démarre pas	<ul style="list-style-type: none"> <li>• Il n'y a pas d'électricité.</li> <li>• Les piles de la télécommande doivent être remplacées.</li> <li>• Le cordon d'alimentation n'est pas correctement branché.</li> <li>• L'interrupteur de sécurité GFCI s'est déclenché.</li> </ul>	<ul style="list-style-type: none"> <li>• Vérifier l'alimentation.</li> <li>• Changer les piles de la télécommande.</li> <li>• Débrancher puis rebrancher le cordon d'alimentation.</li> <li>• Réinitialiser l'interrupteur de sécurité GFCI; si le problème persiste, contacter notre service à la clientèle.</li> </ul>
Fonctionne sur une courte période seulement	<ul style="list-style-type: none"> <li>• Le réglage de la température du thermostat est trop près de la température ambiante.</li> <li>• La sortie d'air est bloquée.</li> <li>• Il y a des courbures prononcées dans le tuyau souple d'évacuation.</li> </ul>	<ul style="list-style-type: none"> <li>• Baisser la température réglée.</li> <li>• S'assurer que le tuyau d'évacuation est correctement branché.</li> <li>• Connecter le tuyau d'évacuation selon les instructions de la page 45.</li> </ul>
Fonctionne, mais sans refroidissement	<ul style="list-style-type: none"> <li>• Une porte ou une fenêtre est ouverte.</li> <li>• Le filtre à air est sale.</li> <li>• Le tuyau d'évacuation est détaché.</li> <li>• Le réglage de température est trop élevé.</li> <li>• L'entrée ou la sortie d'air est bloquée.</li> </ul>	<ul style="list-style-type: none"> <li>• S'assurer que la fenêtre ou la porte est fermée.</li> <li>• Nettoyer le filtre à air</li> <li>• Réinstaller le tuyau d'évacuation correctement</li> <li>• Réduire le réglage de la température sur le panneau de commande.</li> <li>• Enlever le blocage.</li> </ul>
Ne fonctionne pas et le témoin d'eau plein est à ON	<ul style="list-style-type: none"> <li>• Eau de condensation en excès à l'intérieur du réservoir.</li> </ul>	<ul style="list-style-type: none"> <li>• Videz l'eau à travers le bouchon de vidange (reportez-vous à la page 50, Drainage de l'eau de condensation).</li> </ul>

Description du produit	Système de climatisation portatif
Modèle	MF08CESWW / MF08CESBB
Tension/Fréquence	115 V~ 60 Hz
Consommation d'énergie	700W
Puissance frigorifique	8000 BTU
Capacité de déshumidification	28,8 litres / 24 hours
Type de réfrigérant	R-410A
Minuterie	24 hour (ON / OFF)
Dimensions (D) x (L) x (H) (mm)	495 X 620 X 360 mm
Poids (Kg)	23.6 Kg

Les produits électriques doivent être éliminés correctement.  
 Bien vouloir recycler aux installations appropriées. Vérifier auprès de  
 vos autorités locales ou détaillants pour le recyclage.



## **GARANTIE LIMITÉE DE 5 ANS**

1 an pièces et main d'œuvre.

5 ans sur toutes les pièces du système scellé, comprenant le compresseur, l'évaporateur, le condenseur et les tuyaux réfrigérants connectés en usine.

- A. Cette garantie ne s'applique pas aux dommages résultant d'un usage abusif ou déraisonnable ou de dommages. Les défauts qui sont le résultat d'une usure normale ne seront pas considérés comme des défauts de fabrication en vertu de cette garantie.

**JMA NORTH AMERICA LLC N'EST PAS RESPONSABLE DES DOMMAGES DIRECTS OU INDIRECTS DE QUELQUE NATURE QUE CE SOIT. TOUTE GARANTIE IMPLICITE DE QUALITÉ MARCHANDE OU D'ADÉQUATION A UN USAGE PARTICULIER DE CE PRODUIT EST LIMITÉE DANS LE TEMPS À LA DURÉE DE CETTE GARANTIE.**

Certaines juridictions n'autorisent pas l'exclusion ou la limitation des dommages fortuits ou consécutifs ou de limitation sur la durée d'une garantie appliquée, de sorte que les limitations ou exclusions susmentionnées peuvent ne pas s'appliquer à vous. Cette garantie vous donne des droits légaux spécifiques; vous pouvez également avoir d'autres droits qui varient d'une juridiction à l'autre. Cette garantie s'applique uniquement à l'acheteur original de ce produit à partir de la date d'achat originale.

- B. À sa discrétion, JMA NORTH AMERICA LLC réparera ou remplacera ce produit s'il est jugé défectueux au niveau de matériau ou de fabrication.
- C. Cette garantie ne couvre pas les dommages résultants de tentatives non autorisées de réparation ou de toute utilisation non conforme aux instructions du manuel d'utilisation.

- D. Veuillez lire le manuel d'instructions attentivement avant de configurer ou d'utiliser ce produit. Si vous croyez ce produit porteur d'un défaut de fabrication, ou si vous avez des questions sur ce produit, veuillez communiquer avec notre Service à la clientèle :

## ASSISTANCE AU CLIENT

JMA North America LLC

Mahwah, New Jersey 07495 USA

Phone : 1-800-474-2147

Email: [info@jmana.us](mailto:info@jmana.us)

Web: [www.honeywellportableac.com](http://www.honeywellportableac.com)

Lorsque vous communiquez avec notre Service à la clientèle, veuillez avoir les informations ci-dessous avec la preuve d'achat. Toutes les demandes de garantie doivent être accompagnées d'une preuve d'achat, soit une copie de la facture originale.

Modèle : .....

Date d'achat : .....

Acheté auprès de: .....

**JMA North America LLC**  
**Mahwah, New Jersey 07495 USA**  
Phone : 1-800-474-2147  
Email: [info@jmana.us](mailto:info@jmana.us)  
Web: [www.honeywellportableac.com](http://www.honeywellportableac.com)

November 2013  
© 2013 AirTek Int'l Corp. Ltd. All rights reserved.  
The Honeywell Trademark is used under license from  
Honeywell International Inc.  
Honeywell International Inc. makes no representations  
or warranties with respect to this product.  
This product is manufactured by Airtek Int'l Corp. Ltd.

**Honeywell**