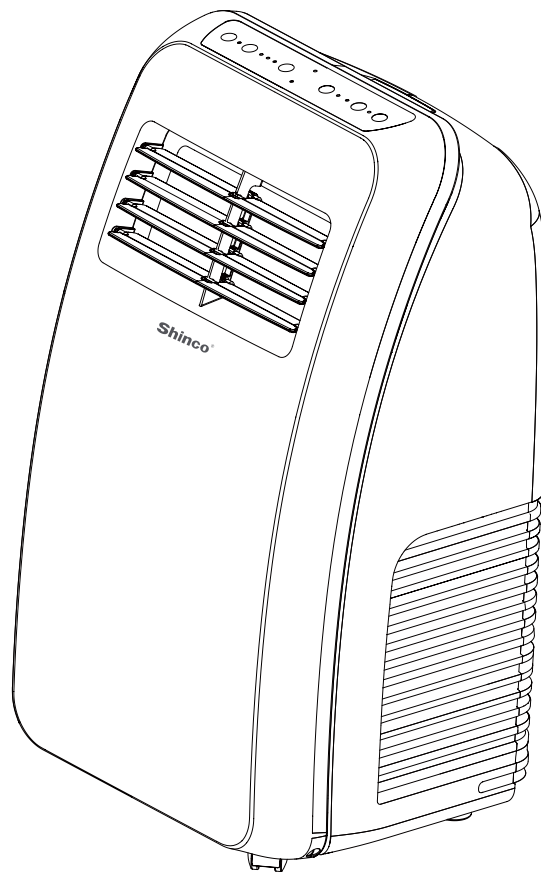


Shinco[®]

SPF2-08C

Portable Air Conditioner

User's Manual



Thanks for choosing this high quality portable air conditioner. Please read the Manual carefully before operation. In case of any problem, please contact professional maintenance personnel in time.

CONTENT

Important Safety Tips	
Precautions	1
Product Introduction	
Main Parts and Components	3
Control Panel and Remote Controller	4
Product Operation	
Placement and Installation	5
Operation Method	7
Clean and Maintenance	
Drainage Method	8
Maintenance	8
Common Failures and Diagnosis	
Intelligent Error Detection	10
Fuse Parameters	10
Trouble-shooting	10

IMPORTANT SAFETY TIPS

PRECAUTION

Please read the Manual carefully before operating the machine:

- This machine is for household use only.
- This machine is for indoor use only. Please place it in dry environment.
- Check power cord frequently. When power cord, plug or A/C is damaged, please don't operate.

If the power cord is not long enough, power extension cable can be used. Cable should not scatter at places where power cord may be pulled out or people may be stumbled.

- The A/C should be away from heat source and avoid direct sunlight.
- Turn off the A/C before unplugging.
- Turn off and unplug the A/C before removing or cleaning it, or replacing its parts or when it is not used.
- Clean the A/C according to the Manual.
- Voltage of the A/C should meet requirements. Any damage incurred by incorrect power isn't included in the warranty.
- Children are not allowed to play with the A/C.

This appliance is not intended for use by persons (including children) with reduced physical, sensory or mental capabilities, or lack of experience and knowledge, unless they have been given supervision or instruction concerning use of the appliance by a person responsible for their safety.

- Don't insert your fingers or any hard object to wind guide bar of the air outlet.
- Don't place the A/C at any place with water or other liquid. Prevent water or liquid from entering the A/C.
- Don't repair the A/C by yourself. Any possible hazard incurred by maintenance of laypeople will violate the warranty. If the supply cord is damaged, it must be replaced by professional maintenance personnel.
- Please use the accessories provided by the A/C manufacturer; otherwise, the A/C may be damaged.
- Suggest using environmental temperature for the air conditioner (Cooling): 59—95°F.
- This appliance can be used by children aged from 8 years and above and persons with reduced physical, sensory or mental capabilities or lack of experience and knowledge if they have been given supervision or instruction concerning use of the appliance in a safe way and understand the hazards involved. Children shall not play with the appliance. Cleaning and user maintenance shall not be made by children without supervision.

Special warning:

- Place the A/C on even ground and install it vertically, so as to ensure normal operation of the compressor.
- The A/C should be at least 50cm away from surrounding objects. Keep air inlet and outlet smooth.
- Don't use the A/C beside gasoline or any other inflammable liquid.
- Don't use spraying agent and other solvent or flammable substances near the A/C; otherwise, its plastic may deform and electric parts may be damaged.

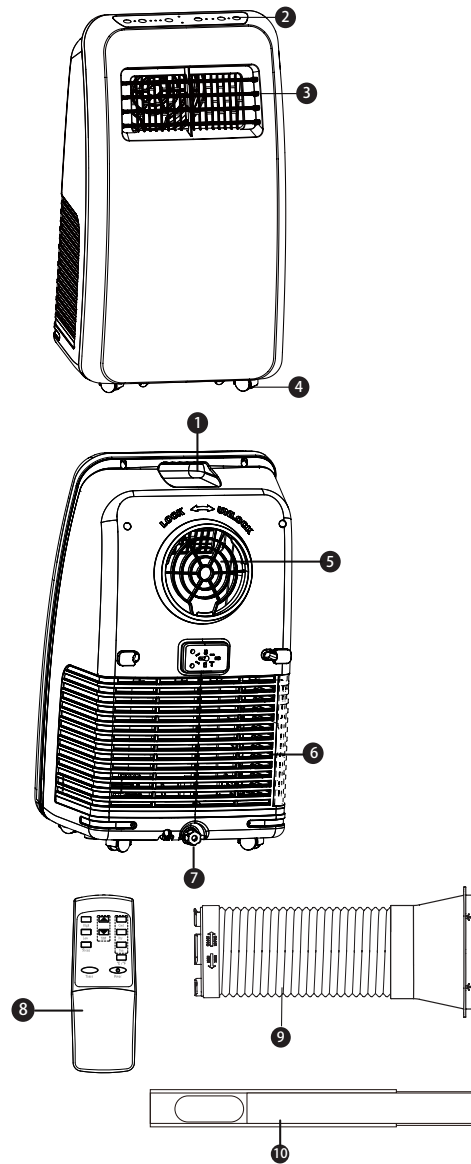
Power

- The plug should be in good condition and can't be damaged. Don't replace the plug with power lug.
- In order to run the A/C, plug the power cord first, and then press the power key.

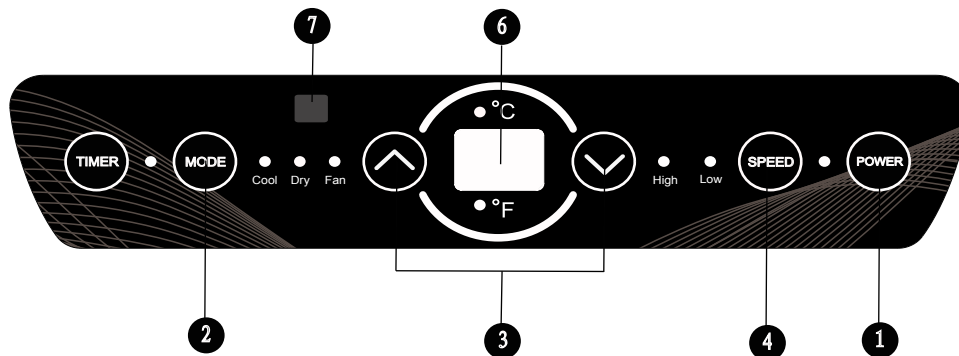
PRODUCT INTRODUCTION

MAIN PARTS AND COMPONENTS

1. Handle
2. Control panel
3. Louver
4. Caster
5. Hot air outlet
6. Air inlet
7. Drainage nozzle
8. Remote controller
9. Exhaust duct assembly
10. Window sealing plate assembly



CONTROL PANEL AND REMOTE CONTROLLER



1. Power key

Press the key to turn ON/OFF the A/C.

2. Mode key

Press the key to choose cool, fan and dry.

3. Temperature/ time adjusting key

Press the key at cooling mode to increase/reduce the setting temperature; press it at timing mode to adjust time; press Up and Down keys simultaneously to switch Fahrenheit and Centigrade degree temperature.

4. Speed key

Press the key to choose high/ low speed.

5. Timer key

Press the key at standby mode to set ON time.

Press this key at ON mode to set OFF time.

6. Temperature/ time display window

Displays the adjusted temperature and time

7. Remote controller receiving window

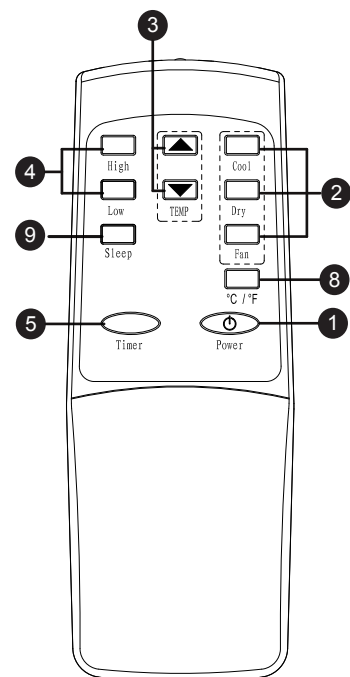
It is used to receive signal of the remote controller.

8. °C/°F switching key

Press the key to switch °C and °F.

9. Sleep key

In the cooling mode, the sleep mode can be selected by this key.

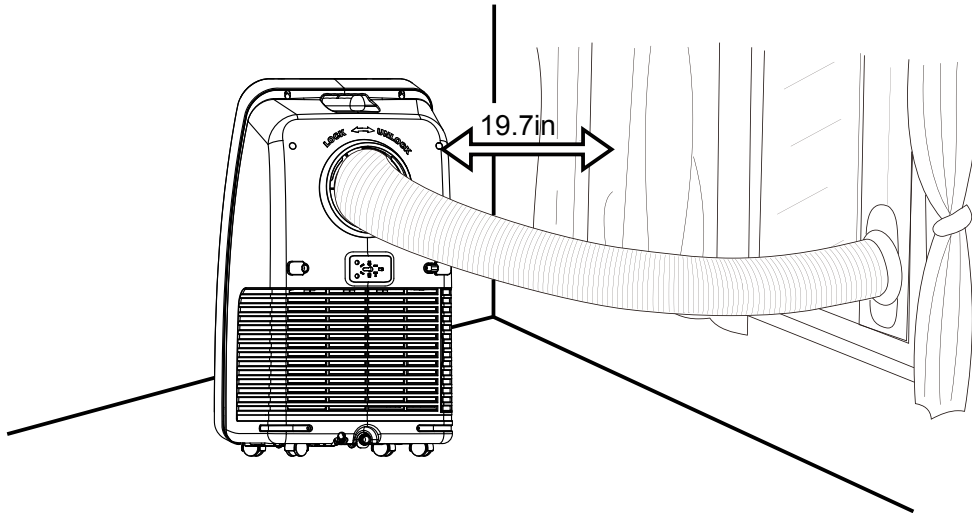


PRODUCT OPERATION

PLACEMENT AND INSTALLATION

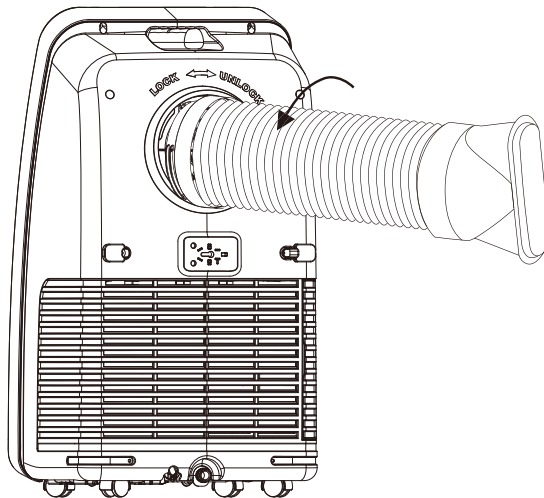
Placement

- Place it at even and dry place, and keep it at least 19.7in away from its surrounding object.

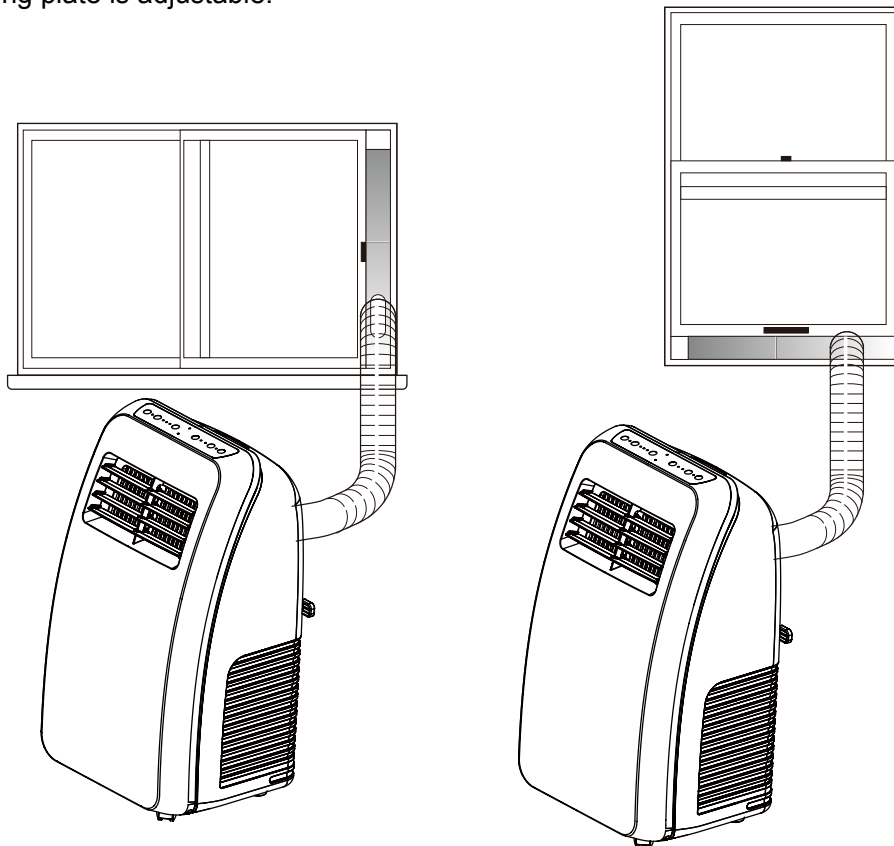


Installation

- Screw the exhaust duct assembly in the air outlet behind the panel (anticlockwise).



- Insert the air exhaust hose into the window sealing plate, adjust opening width of window so that the window can match with the sealing plate properly; length of the sealing plate is adjustable.

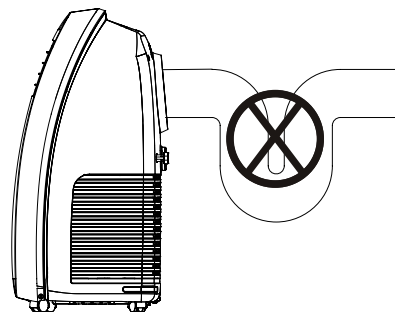


Incorrect installation

- It's important to keep the exhaust duct smooth. Incorrect installation will affect work of the A/C.
- Prevent the exhaust duct from seriously bending.
- Ensure air can flow smoothly in the duct.

Warning:

The exhaust duct is designed especially for this model. Don't replace or lengthen it; otherwise, it will result trouble.



Notice:

Max. length of the exhaust duct is 59in. It's better to shorten it while use and keep it horizontal during installation.

OPERATION METHOD

Cooling mode

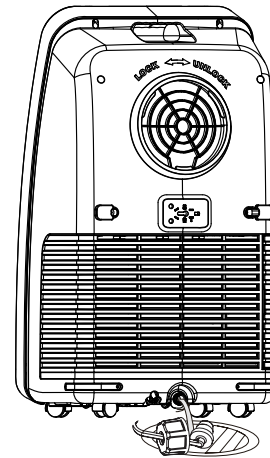
- When the A/C enters cooling mode automatically or cooling mode is selected after power ON, the cooling indicator lamp lights up.
- Press Up/Down key to adjust setting temperature (61°F~86°F).
- Press Speed key to choose High/Low speed.

Fan mode

- When pressing mode key or choosing Fan mode by pressing the remote controller, the wind indicator lamp lights up.
- Press Speed key to choose High/Low speed.
- Temperature can't be set.

Dehumidification mode

- When pressing mode key or choosing dehumidification mode by pressing the remote controller, the dehumidification indicator lamp lights up.
- Remove the dehumidification water wedge, insert water manifold, place the other end of the water manifold into the water vessel or drainage passage, as shown in the right figure.



- In dehumidification mode, the fan is defaulted to run at low speed, and wind speed can't be adjusted.
- Temperature can't be set. (**Note : when use dehumidify function, should remove exit pipe components, otherwise, it will cause worse dehumidify performance, and appear "FL" water full alarm**)

Sleep mode (optional function)

- Under cool mode, pressing sleep mode key on the remote controller or pressing time key and down key together on the machine, it will start sleep mode with low wind speed and can't be adjusted. Pressing the sleep mode key again or pressing time key and down key together on the machine to quit the sleep mode.
- If you press the wind speed key under the sleep mode, the screen will display "SL"

Timer mode

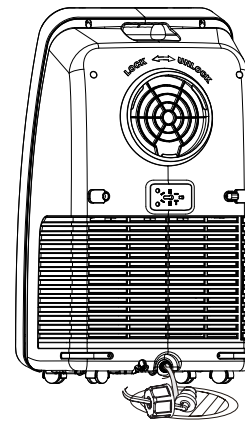
- In standby state, press the Timer key to set ON time. Press Up and Down keys to set ON time (0~24H), and the timer indicator lamp lights up.
- In ON state, press the timer key to set OFF time. Press Up and Down keys to set OFF time (0~24H), and the timer indicator lamp lights up.

CLEAN AND MAINTENANCE

DRAINAGE METHOD

This product is equipped with automatic water vaporization system. The condenser is cooled with the circulating of condensing water, so as to improve cooling efficiency and save energy.

- If the internal vessel is full of water, the display screen will display “FL”, and the compressor stops working automatically. After power off, unscrew the water cover, pull out the water wedge to drain off water, and it will become normal after being restarted.



MAINTENANCE

Notice: in order to avoid electric shock, please turn off the A/C and unplug before maintenance or repair.

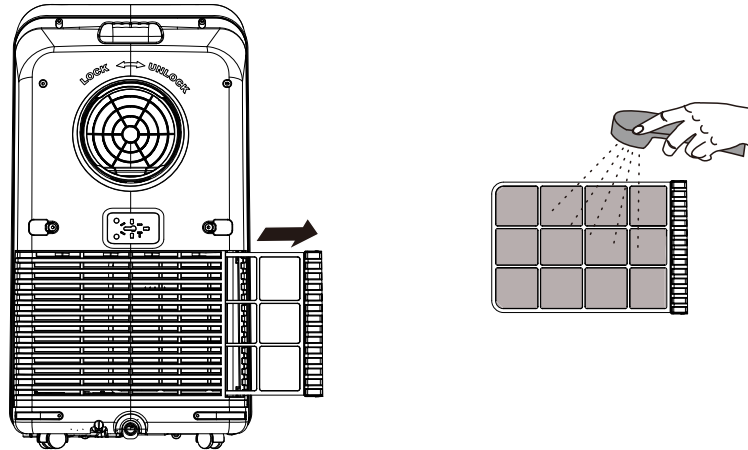
CLEANING

- Unplug before cleaning.
- Wipe with soft semi-dry cloth. Don't use chemical reagent, such as benzene, alcohol and gasoline etc; otherwise surface of the A/C and even the whole A/C will be damaged.
- Prevent water from spattering in the A/C.

FILTER SCREEN

- Wash the filter screen once every two weeks. If it is blocked by dust, efficiency of the A/C will be reduced.

- Take out the air inlet grille and pull out the filter screen at both sides according to the direction shown in the following figures.
- Put the filter screen into the warm water (about 104°F) added with neutral detergent, dry it at a shady place after cleaning.



SEASONAL CLEANING

If the A/C will not be used for a long time:

- Pull out the water wedge to drain.
- Run the A/C in fan mode for 2H till its inside is dry.
- Turn off the A/C and unplug.
- Wash the filter screen and reassemble it.
- Dismantle the exhaust duct and keep it properly.
- Cover the A/C with a plastic bag and place it at a dry place.

COMMON FAILURES AND DIAGNOSIS

INTELLIGENT ERROR DETECTION

Error-detecting code	Multi-functional defection
E1	Error of the coil's temperature sensor
E2	Error of indoor temperature sensor
E4	Anti-freezing protection: temperature of the coil is too low and the whole A/C is off. When temperature exceeds 46°F, the protection is released and previous working state is recovered.

FUSE PARAMETERS

Specification: Ø5×20mm

Voltage: 250VAC

Current: 3.15A

TROUBLE-SHOOTING

In case of any of the following trouble, please contact professional maintenance personnel in time.

TROUBLE	CAUSE	SOLUTION
The A/C doesn't work	Not plug in	Plug in
	The display panel displays "FL"	Restart the A/C after power off and draining, then it will become normal
	Time OFF function is started	The A/C can be restarted 3 minutes after being turning off.
The A/C starts frequently	Direct sunlight	Draw the curtain
	Doors and windows keep open; there are lots of people or heat source in room	Close doors and windows, remove heat source
	Filter screen is very dirty	Clean or replace it
	Air inlet or air outlet is blocked	Remove the stem
Big noise of the A/C	The A/C is placed unevenly	Place it at even and firm ground, avoid shaking
The compressor doesn't work	Its delay protection is started	Wait for 3min., turn on it after temperature decreases

Notice: When there is any abnormal to the A/C, turn it off and unplug, and then contact professional maintenance personnel.

The above technical parameters are subject to change without notice.



Meaning of crossed –out wheeled dustbin:

Do not dispose of electrical appliances as unsorted municipal waste, use separate collection facilities.

Contact you local government for information regarding the collection systems available. If electrical appliances are disposed of in landfills or dumps, hazardous substances can leak into the groundwater and get into the food chain, damaging your health and well-being.

When replacing old appliances with new ones, the retailer is legally obligated to take back your old appliance for disposals at least free of charge.

Sales support: USA03@Shinco.net <mailto:usa03@shinco.net>

YOAU Electric Co., Ltd reserve rights to upgrade products without user notice.