



# Specifications

## One Handle Heavy Duty Basin Faucet

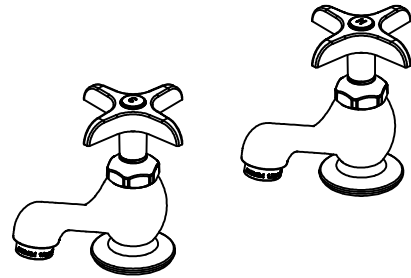
MODEL	STORE SKU#	FINISH
6011-5001	395310	Polished Chrome

### FEATURES

- Requires 1-Hole Sink
- 1/2" IPS Connections
- Max Flow Rate: 1.2 gpm (4.5 L/min) at 60 psi
- Spout Reach: 3 1/16"
- Spout Height: 1 1/4"
- Ceramic Valve for Lifetime Drip-free Operation
- With Zinc Cross Handle
- Optional Index(H) and Index(C)

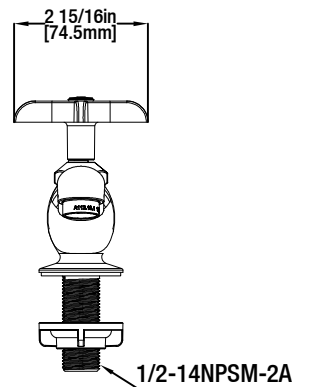
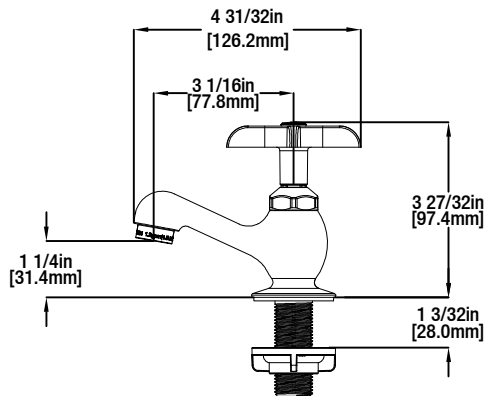
### CODE COMPLIANCE

- IAPMO Certified: ASME A112.18.1/CSA B125.1
- Compliant to NSF/ANSI 61 Section 9
- Compliant to NSF/ANSI 372
- Calgreen Certified
- EPA watersense Certified
- Meets AB 1953 Lead Standard
- ADA Compliant



### WARRANTY

- Limited Lifetime Warranty



## INSTALLATION DIMENSIONS

Glacier Bay reserves the right to make changes in specifications and materials and to change and discontinue models, both without the notice or obligation. Dimensions are for reference only.