

CAUTION: ASBESTOS IN EXISTING FLOOR: Home Decorators Collections product does not contain asbestos. Existing installed resilient flooring and asphaltic adhesive may contain asbestos fillers or crystalline silica. Do not sand, dry sweep, dry scrape, drill, saw, bead-blast, or mechanically chip or pulverize existing resilient flooring, backing, lining felt, asphaltic “cutback” adhesive or other adhesive. See “Recommended Work Practices for Removal of Resilient Floor Coverings” (rfci.com) for detailed information and instructions on removing all resilient covering structures.

CAUTION: DO NOT INSTALL IN all exterior installations, seasonal porches, boats, campers, RV's, sunrooms, solariums, non-temperature controlled rooms or homes.

Safety and Health Precautions

Power tools can be dangerous. Operate in strict accordance to manufacturer's operating instructions and safety precautions. Unsafe and improper use can cause serious injuries. Avoid inhalation and exposures to airborne particles by mechanical means and by wearing personal protective equipment. Wear appropriate personal protective equipment (PPE) which includes NIOSH or OSHA approve dust masks, safety goggles and work gloves.

Warranty

This flooring product comes with a manufacturer Limited Wear Warranty. The warranty applies to the original purchaser of the flooring. It warrants the original purchaser that the finish surface will not wear through for the duration of the stated warranty from the date of purchase. Contact our Customer Service Team at 866-843-8453 to request a written copy which provides detailed terms of coverage and limitations.

Pre-Installation

OWNER/INSTALLER RESPONSIBILITY

The owner is advised to be at home during the installation for consultation/direction. The owner and installer should discuss installation and layout to maximize satisfaction. If this is not possible, consultation should be done prior to installation. The owner/installer assumes all responsibility for product quality of completed installation.

PERFORM PRE-INSTALL INSPECTION. FOR CLAIMS PURPOSES, YOU ARE ALLOWED TO OPEN UP TO 4 BOXES FOR PRODUCT INSPECTION. DO NOT OPEN ALL THE BOXES. OPENING ALL THE BOXES CONSTITUTES YOUR ACCEPTANCE OF THE PRODUCT. INSPECT ALL THE PLANKS IN THESE 4 BOXES CAREFULLY. EXAMINE FLOORING FOR COLOR, FINISH AND QUALITY. IF YOU DISCOVER THAT PRODUCTS ARE DEFECTIVE, OR IF MATERIAL IS QUESTIONABLE, YOU SHOULD CONTACT THE RETAILER. IF YOU ARE SATISFIED, PROCEED WITH INSTALLATION.

Prior to installation, rack up planks from several boxes to ensure uniform distribution of colors, shades and characters in the installed flooring. Planks having similar widths should be placed together in the same row to minimize gaps between boards.

Allow the vinyl flooring to acclimate to the installation area for a minimum of 48 hours before installing.

Purchase flooring to be installed in one large area at the same time. Product purchased at a later time than the first purchase may vary beyond your expectations.

Accessories, trims and moldings are manufactured to coordinate with the varied appearances of the floor planks. Any exact matches are coincidental. Non-matching accessories are not defective products.

This product is manufactured according to strict quality standards. In the event that defects are discovered in the field, the industry standards permit a defect tolerance not to exceed 5%. Order an additional 10% extra for cutting wastage and grading allowances (more for diagonal installations).

During installation, inspect the planks continuously. Defects that can be seen from a standing position should be cut off or held out. Installing defective planks implies acceptance.

Clicking noises are the result of interactions among flooring, joists and subfloors when they move. Sometimes, it is impossible to eliminate them completely and minor clicking noises are to be accepted as normal flooring phenomenon.

To assure the warranty is not inadvertently voided, before proceeding with any activity that is not covered in this manual, please contact our Customer Support Team at 866-843-8453.

CONCRETE SUBFLOOR REQUIREMENTS

Concrete subfloors must:

- Have minimum rated strength of 3000 psi.

- Be level to within 1/4 in. in a 10 ft. span; no bumps or low spots. High spots can be removed by grinding; depressions can be filled with patching compound formulated for use in floor installation. Subfloors should not slope more than 1 in. per 6 ft.
- Be clean; no construction debris, soil, mud and any other objects on or adhering to the floor; if necessary, scrape and sweep away before the installation; no protrusions of nails, debris, metals should remain.
- New concrete slab must cure for at least 90 days. It must have a minimum 10 mil polyethylene sheet between the ground and the concrete.
- Be free from moisture related conditions which can damage the installed flooring.

CONCRETE MOISTURE

Test all concrete subfloors for moisture content and document the results. Visual checks are not reliable.

Perform tests at locations around exterior doorways, near walls containing plumbing, near foundation walls and in the center of the room. Minimum sample size is 3 samples per 1000 sq. ft. of area and one test for every additional 1000 sq. ft. thereafter.

Moisture content should meet one of the following criteria:

- 4% max. when tested using Tramex Concrete Moisture Encounter.
- Less than 8 pounds per 1000 sq. ft. per 24 hours when using Calcium Chloride test (ASTM F1869).
- 85% max. when using Relative Humidity Testing (ASTM F2170).

NOTE: Concrete moisture content may be acceptable the time of the test. These tests do not guarantee a perpetual “dry” concrete slab. The concrete slab moisture content can vary at other times of the year. We are not responsible for moisture-related damage to installed flooring.

WOOD SUBFLOOR REQUIREMENTS

The subfloor must be clean; no presence of construction debris, soil, mud and any other objects on or adhering to the floor; no protrusions of nails, debris, or metals should remain. If necessary, scrape and sweep the subfloor before the installation.

The subfloor must be structurally sound and stable; no movements or squeaks; no loose panels or loose nails; no signs of ply de-lamination or other damages. Repair all shortcomings before installation.

The subfloor must be flat; no visible bumps or low spots; the subfloor should be flat to within 1/4 in. in 10 ft. span. Test for moisture using a reliable moisture meter. Perform tests at locations around exterior doorways, near foundation walls, near walls containing plumbing lines and in the center of the room. Measure 20 locations per 1000 sq. ft.. Moisture content of the subfloor should be less than 13%. Moisture content difference between the subfloor and flooring should be 2% or less.

PLYWOOD OR ORIENTED STRAND BOARD (OSB) SPECIFICATIONS

On truss/joist spacing of 16 in. (406 mm) O/C or less, the industry standard for single-panel subflooring is a minimum 5/8 in. (19/32 in., 15.1 mm) CD Exposure 1 plywood subfloor panels (CD Exposure 1) or 23/32 in. OSB Exposure 1 subfloor panels, 4 ft. x 8 ft. sheets. Expansion gap between panels should be 1/8 in. (3 mm). If panels are not tongued and grooved and there is not sufficient spacing or is inadequate, cut in the required spacing with a circular saw. Do not cut in expansion space on tongue and groove panels.

PARTICLE BOARD OR FIBER BOARD

Only for floating installation.

EXISTING FLOORS

Installation over existing floor requires the installer to consider potential issues related to moisture damage, adhesive failure and fastener failure. Contact the adhesive and fastener manufacturers respectively for their specific instructions, recommendations and requirements.

Acceptable floor coverings include: Solid hardwood, linoleum (1 layer only), terrazzo, ceramic, and stone tile. Tiled floors with grout lines larger than 1/4 in. will require a cementitious leveling compound to fill any grout lines, voids, or cracks.

Unacceptable floor coverings include: Carpet (any type), foam underlayment, cushioned-back vinyl, rubber, cork, laminates, free-floating floors, and wooden floors over concrete.

JOB SITE CONDITION

Prior to installation, the installer must ensure that at the time of installation, the job site conditions including subfloor/substrate, ambient temperature and relative humidity, and all impacting variables will not negatively affect the floor. The manufacturer will decline responsibility for damages associated with improper installation or poor site conditions.

STORAGE AND CONDITIONS

Condition vinyl planks prior to installation. You MUST store vinyl planks horizontally in the room of installation for 48 hours prior to installation. Be sure the room temperature is between 65° & 85° F (18°C & 30°C). Do not remove the planks from the case during this acclimation period! Maintain this temperature during installation as well. The HVAC system should be operational at least two weeks prior to installation and remain on after installation as vinyl planks must be in a temperature controlled environment. Product should be stored horizontally in a dry area away from direct sunlight, Do not leave next to heat or cooling ducts. Ensure that all trades have been completed to eliminate dry wall dust, paints etc. Do not store flooring in uncontrolled environmental conditions. For example, garages and exterior patios are not acceptable areas to store flooring. Flooring stored on a concrete slab should be elevated at least four inches to allow air circulation under cartons.

EXISTING HOME

An existing home should have a consistent room temperature of 65° F to 85° F and relative humidity (RH) of 35%-85%. Continual deviation from these conditions will affect the dimensions of flooring. When using a heater during winter months, humidity may be much lower than the acceptable range. During the warmer months, maintain humidity levels using an air conditioner, dehumidifier, or by turning on your heating system periodically.

NEW CONSTRUCTION OR REMODEL

All work involving water, such as pouring basement concrete floors, drywall and plasterwork, plumbing, etc. must be completed well in advance of the floor delivery. Ensure that the building is enclosed. Where building codes allow, permanent heating and/or air conditioning systems should be operating at least two weeks preceding installation and should be maintained during and after installation. If it is not possible for the permanent heating and/or air conditioning system to be operating before, during and after installation, a temporary heating and/or dehumidification system that simulates normal living (occupied) conditions can enable the installation to proceed until the permanent heating and/or air conditioning system is fully operational. Your job site should have a consistent temperature of 65° F to 85° F and relative humidity (RH) of 35%-85% which should be maintained continuously thereafter.

RECOMMENDED INSTALLATION AREA

Do not install vinyl planks over carpet or any foam underlayment. This product is not suitable for any outside use, sunrooms/solariums, saunas, seasonal porches, camping trailers, boats, RV's or rooms that have a potential of flooding. Do not install in rooms or homes that are not temperature controlled. Exposure to long term direct sunlight can cause damage to your floor. Failure to properly shade or UV tint windows can discolor, fade, or buckle vinyl planks. Use window treatments or UV tinting on windows. Vinyl planks are not intended for use on stairs or vertical surfaces. Do not glue, nail, screw or fasten to substrate. Install cabinetry, island and peninsula counters, vanities, tubs, and showers first. Then install vinyl planks around them.

BASEMENTS AND CRAWL SPACES

Concrete slab or ground must be dry. Ensure that crawl spaces have open vents year round to ensure proper air circulation and prevent moisture build up. The ground in the crawl spaces must be completely covered using 6 mil black polyethylene. Crawl space clearance between the earth and underside of joists should be no less than 18 in. and the perimeter vent area should be equal to 1.5% of the total square footage of the crawl space or as mandated by code.

RADIANT HEATED SUBFLOOR

This product can be installed over radiant heat concrete subfloors. The radiant heating system must be cast 1/2 in. below the surface of the concrete slab and should be operating at least 2 weeks before installation. Set the temperature of the radiant heating system to 68° F 48 hours before, during, and 72 hours after installation. You may gradually raise the temperature starting 72 hours after installation. The finished floor surface must not exceed 85° F (29°C) for the life of the floor. Because radiant heat creates a dry heat that can lower interior humidity levels, it may be necessary to add a humidifier to maintain the humidity level between 30-85% to prevent damage to the vinyl floor. Consult with the radiant heat system manufacturer to ensure that the system is compatible with vinyl flooring.

MOISTER BARRIER/UNDERLAYMENT PADDING

CONCRETE SUBFLOOR

When installing over a crawl space or concrete slab, it may be necessary to use a moisture barrier to prevent moisture migration. A plastic film with a minimum thickness of 6 mil should be placed with a 4 – 6 in. (101.6 – 152 mm) overlapped seam, and taped with a suitable tape, this should be combined with an approved underlayment padding for floating floors.

SOUND CONTROL UNDERLAYMENT

Check with the sound control manufacturer for application guidelines. Generally, the less compressive underlayment is preferred.

EXPANSION GAP

A required gap width of 1/4 in. is required around the perimeter of the floor and between the floor and all vertical obstructions. Do not place permanently mounted structures such as kitchen counters/cabinets on the installed floor.

TRANSITION MOLDING

For floating installation, transition T-molding is required in the following cases: floors spanning greater than 30 ft. in width and 50 ft. in length; doorways and archways less than 4 feet wide.

TOOLS AND MATERIALS BASICS

Tape measure • Moisture meter (wood, concrete or both) • Utility knife & straight edge • Measuring tape • Shears for cutting around irregular shaped objects (pipes) • 6 mm (1/4 in.) spacers • Pencil • Tapping block • Soft faced hammer • Eye protection • Broom

Helpful Pointers

GENERAL TIPS

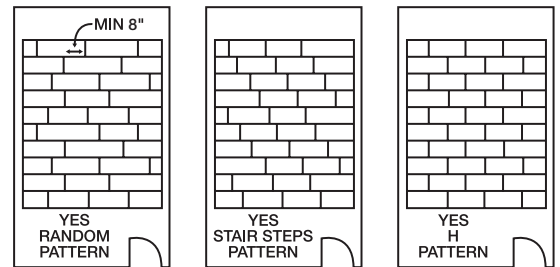
- Make sure your work area is well lit. Good visibility ensures that color is consistent and that visually defective planks are detected and removed.
- The minimum length of the first and last plank is 8 in.. If the last plank will be less than 8 in., adjust the length of the first plank. The remainder of the last plank can be used as a starter board on the following rows.
- Using a shorter piece at undercut door jams will help when fitting flooring in place.
- Never hit the flooring directly with the tapping block and be careful not to fracture floor edges.

CUTTING THE LAST ROW TO WIDTH

- Most often the entire length of the last row will need to be cut so that it is narrow enough to fit the remaining space.
- Measure the distance between the floor face edge (exclude the tongue) to the wall. Subtract 1/4 in. from this measurement for expansion gap. Draw a line. Cut through the line. Discard the excess piece. Proceed with the installation

Preparing for Installation

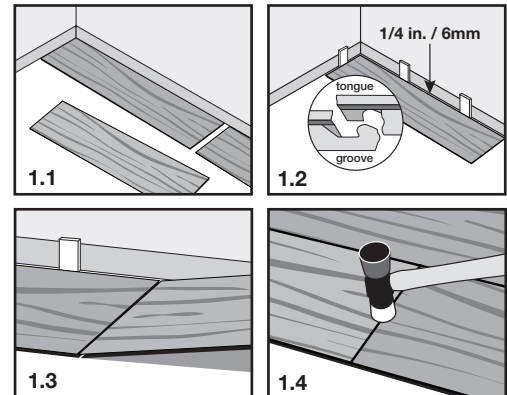
- Ensure subfloors are clean.
- Lay out several cartons. Randomly rack planks to ensure good color and shade mixture and end joint spacing. Minimum end stagger is 8 in. Inspect plank quality and grading.
- Lay out trim moldings in advance and find planks whose shade closely matches. Set these aside for future use.
- Remove the existing base, shoe molding or threshold carefully. They can be used to cover the 1/4 in. expansion gap left around the edge of the room.
- Undercut doors and casings using a handsaw laid flat on a piece of scrap flooring. Never undercut metal door casings.
- Install the underlayment (if used) parallel to the flooring according to the underlayment manufacture instruction. Any overlap (top) should be on the same side as the groove of the flooring so that the floor planks will slide smoothly into place. Tape all seams. Secure the underlayment material as necessary to prevent excessive movement.



Installation

1. INSTALLING THE FIRST ROW

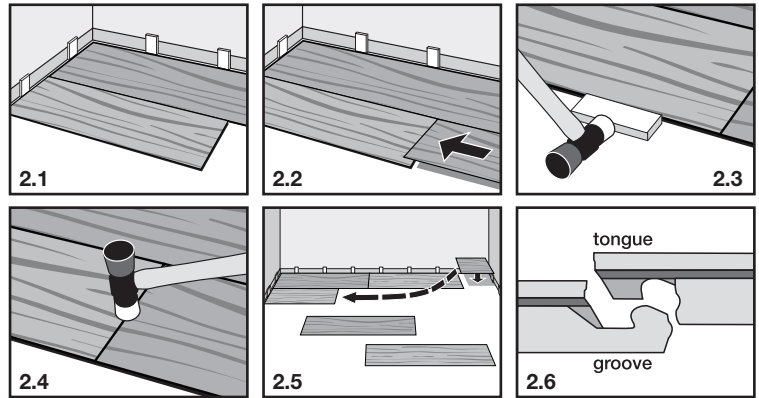
- a. First, lay a row of loose planks (i.e. without securing them to each other; Figure 1.1) to determine if you need to adjust the length of the first plank to avoid a small piece (less than 8 in.) on the opposite wall from where you started. Alternatively, measure the length of the room and divide by 48 in. (length of one plank). If the remainder is less than 8 in., calculate 1/2 of the remainder and trim this amount off the first plank. The last plank should be the same length as the first one. To cut a plank, simply measure and mark the plank. Then, use a straight edge and utility knife to score and snap.
- b. Installation should start in a corner (left hand) and proceed from the wall with the tongue facing the wall (Figure 1.2). Allow a minimum gap of 1/4 in. (6 mm) for subfloor movement or product expansion, which should be covered by molding. Set 1/4 in. spacers to create the required expansion space.
- c. Lay the first row in a straight line and interlock the short ends by inserting each tongue into the groove of the adjoining plank (Figure 1.3). Install each sequential plank on the short end and be sure to line up evenly. Use a soft-faced hammer to tap down on the short seam of the planks to ensure a tight fit (Figure 1.4). This is crucial for a good installation.
- d. Stagger the rows so that the short-edge seams are not aligned in a straight, uniform manner. Refer to the "PREPARING FOR INSTALLATION" section for recommended installation patterns.



Installation, continued

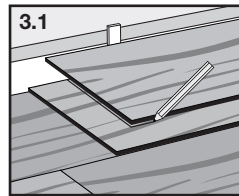
2. INSTALLING THE SECOND AND REMAINING ROWS

- a. Start the second row with the plank cut at about 2/3 length; measure and mark the plank. Then, use a straight edge and utility knife or shears to score and snap the plank.
- b. Attach the first plank of Row 2 by connecting the long side to the first row (Figure 2.1). Maintain your 1/4 in. expansion gap. Then, attach the second plank by connecting the long side to the first row and sliding it up to the short end of the first plank. Then, drop and lock (Figure 2.2). To ensure a tight fit, use a tapping block and soft faced hammer on the long seams (Figure 2.3), then, tap down on top of the plank at the short seams (Figure 2.4).
- c. When cutting a plank to start a row, you will need to cut off the end with the groove. The remaining piece can then be used on the opposite side of the room, at the end of that row (if layout permits; Figure 2.5). Refer to Figure 2.6 for a close-up of the end-joint locking mechanism.



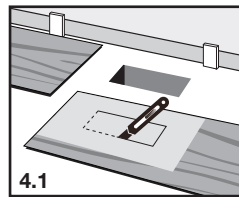
3. INSTALLING THE LAST ROW

- a. Cut the first plank of the last row to length (following desired pattern). Place directly on top of the previously installed row. Then, take another plank and place against the wall (allowing for 1/4 in. (6 mm) expansion gap) and on top of the plank to be cut for width. Mark the plank, score and snap (Figure 3.1). Continue this method for the remainder of the planks in the last row. Always place the cut end of the plank against the wall.



4. FITTING AROUND IRREGULARLY SHAPED OBJECTS

- a. Make a pattern out of heavy paper to fit around pipes or irregularly shaped objects (Figure 4.1). Place the pattern upon the plank and trace. Cut along trace lines using a utility knife or sharp shears, and lay plank. Be sure to leave a minimum of 1/4 in. (6 mm) expansion space around all fixed objects, cabinetry, and metal door jambs. Undercut wooden door jambs. Fill any expansion spaces around potentially wet areas (such as refrigerators, tubs, and appliances) with premium, waterproof, 100% silicone caulk.



NOTE: Rooms larger than 1500 sq. ft. (50 ft. x 30 ft.) require the use of coordinating T-molding transitions. Doorways and archways less than 4 ft wide also require the use of T-molding transitions.

NOTE: Save any leftover planks. Do not discard as they are color matched (dye-lot) to your floor. They can be used for replacement in the event you need to replace a plank in the future.

Accessories

Pictures are for general illustrative purposes only. Actual products may differ from pictures.

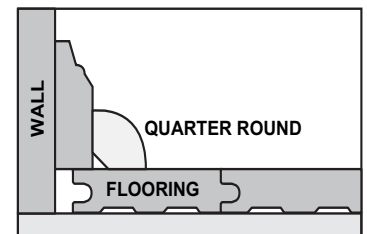
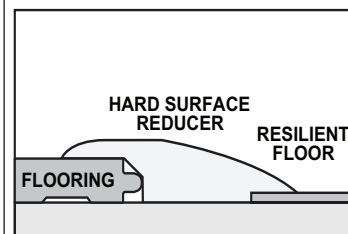
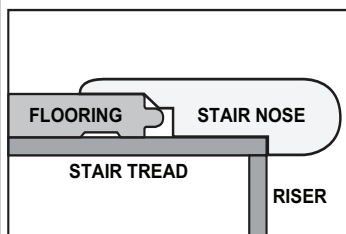
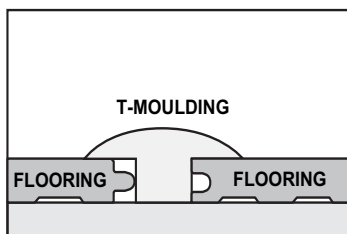
- Clean the floor.
- Install or reinstall all wall trim pieces. Nail them through the wall, but not to the subfloor to avoid restricting the expansion gap.
- Install transition trim pieces. Nail them to the subfloor, not the flooring.
- At doorways, transitions should be used to protect the edges of the floor and to provide a decorative transition from one floor type to another.
- If the floor is to be covered, use a breathable material such as cardboard. Do not cover with plastic.

T-Molding: Used to create a transition between floor coverings of similar heights or to cover an expansion gap.

Stair Nose: Used in conjunction with flooring installed on stair steps or finished edges of a higher level floor like in a sunken living room.

Hard Surface Reducer: Used to transition to another hard surface flooring of different heights such as tile, vinyl, or concrete.

Quarter Round: Used to cover the expansion space between the wall base and your flooring. It can also be used to make smooth transitions between the floor and cabinetry. It can be used with or without wall base molding.



Care and Maintenance

DAILY MAINTENANCE

- Sweep, dust, damp mop, or vacuum your floor regularly to remove any particles that could cause abrasion or scratch your floor.

⚠ CAUTION: Vacuums with a beater bar or power rotary brush head can damage a floor and should never be used.

- Use a damp mop to remove spots and soil. Use any high-quality, p/h-neutral vinyl cleaner. Alternatively, use a non-rinsing, biodegradable cleaner that leaves no residue or haze.
- For lightly soiled area, clean with distilled water.
- **HINT:** For best results, clean the floor in the same direction of the planks. When the cleaning cloth/mop becomes soiled, rinse or replace it with a clean one. Following up with a clean, dry cloth will remove residual streak marks and spots.
- Do NOT leave any amount of liquids (water, juice, soft drinks, spills, etc.) on the floor. Clean any wet spots immediately.
- Do NOT use a steam cleaner.
- Do NOT use a wet mop or douse the floor with water or liquid cleaners. Liquid can seep between the cracks and cause moisture damage.
- Do NOT use any cleaning agents containing wax, oil or polish. Left over residue will form a dull film.
- Do NOT use steel wool or scouring powder which will scratch the floor.
- Do NOT use any dust cleaners, as they may cause your floor to become slick or damage the finish.
- Avoid spills of paints, dyes, or harsh chemicals.
- Avoid long term exposure to direct sunlight. Use window treatments or UV tinting on windows.

BRANDED OR OFF-THE-SHELF FLOOR CARE PRODUCTS

If none of the above are effective and you choose to use a store bought product, test the product in a non-conspicuous area (i.e., closet, corner, or scrap pieces) for potential adverse side effects.

PREVENTATIVE MAINTENANCE

- Protect your floor when using a dolly for moving furniture or appliances. Protective sheets and/or plywood may be needed. Never slide or roll heavy furniture or appliances across the floor.
- Use flat floor protectors (nylon or felt) on all furniture legs. Clean protectors periodically to remove grit that may become embedded and cause scratching.
- Avoid excessive exposure to water from being tracked in during periods of inclement weather.
- Minimize abrasive material and dirt by placing mats on both sides of exterior doors and by using area rugs in high-traffic areas
- Rearrange furniture and rugs periodically to avoid uneven color and shade changes from light exposure.
- Use protective mats beneath rolling chairs and keep furniture casters clean.
- Use NON-RUBBER backed mats at all entrances to avoid discoloration from asphalt driveways or prevent dirt and grit from being tracked onto your floor. Rubber backed mats can discolor your floor.
- We recommend the use of a hard surface (non-studded), non-rubber chair mat to protect your floor from office chairs with casters. Light, rolling furniture should be outfitted with broad-surface, non-staining casters that have been engineered for hard surface floors. Such casters should be a minimum of 1 in. (2.5 cm) wide and at least 2 in. (5.1 cm) in diameter.
- Keep pets' nails trimmed.
- Remove shoes with cleats, spikes or exceptionally pointy heels before walking on the floor.

CLIMATE MAINTENANCE

- Care should be taken to control humidity levels within the 35% - 85% range.
- **Dry Climates:** A humidifier is recommended to maintain humidity levels. Wood stoves and electric heat tend to create very dry conditions during the winter months this also will cause shrinkage in flooring.
- **Humid, Wet Climates:** By using an air conditioner, heater, or dehumidifier proper humidity levels can be maintained to prevent excessive expansion due to high moisture content.

FLOOR REPAIR

- Very deep scratches may require the replacement of the planks.

PRECAUCIÓN: ASBESTO EN PISOS EXISTENTES: El producto de Home Decorators Collection no contiene asbesto. Los pisos flexibles y el adhesivo asfáltico previamente instalados pueden contener separadores de asbesto o sílice cristalina. No lijes, barras o raspes en seco, taladros, serruchos, trates mediante aspersión con microesferas de vidrio, ni rajes o pulverices mecánicamente pisos flexibles existentes, refuerzos, recubrimientos de fieltro, adhesivos “mermadores” asfálticos ni ningún otro tipo de adhesivos. Lee “Prácticas de trabajo recomendadas para la extracción de los pisos flexibles existentes” (Recommended Work Practices for Removal of Resilient Floor Coverings) (rfci.com) para obtener instrucciones e información detalladas sobre la eliminación de cualquier estructura de pisos flexibles existentes.

PRECAUCIÓN: NO INSTALAR EN exteriores, porches de temporada, botes, casas rodantes, vehículos recreativos, terrazas interiores, solarios, ni en casas o habitaciones sin control de temperatura.

Seguridad y precauciones de salud

Las herramientas eléctricas pueden ser peligrosas. Utilízalas cumpliendo estrictamente las instrucciones de funcionamiento y precauciones de seguridad del fabricante. Su uso no seguro e inadecuado puede causar lesiones serias. Evita la inhalación y exposición a partículas del aire por medios mecánicos y utilizando equipo de protección personal. Usa el equipo de protección personal adecuado (PPE) el cual incluye máscaras anti-polvo certificadas NIOSH o OSHA, gafas de seguridad y guantes de trabajo.

Garantía

Este producto de piso viene con una Garantía Limitada del Fabricante contra el Desgaste. La garantía es válida sólo para el comprador original del piso. Se le garantiza al comprador original que la superficie acabada no se desgastará durante el periodo establecido por la garantía desde la fecha de la compra. Comuníquese con nuestro Equipo de Atención al Cliente llamando al 866-843-8453 para recibir una copia impresa de la garantía que establece los términos de la cobertura y sus limitaciones.

Preinstalación

RESPONSABILIDADES DEL PROPIETARIO/INSTALADOR

Se recomienda que el propietario esté presente durante la instalación para consultas/instrucciones.

El propietario e instalador deben discutir la instalación y distribución para maximizar el nivel de satisfacción. Si esto no es posible, debe consultarse antes de la instalación. El propietario/instalador, asume toda la responsabilidad de la calidad del producto instalado.

REALIZAR UNA INSPECCIÓN ANTES DE LA INSTALACIÓN. CON EL FIN DE REALIZAR UNA RECLAMACIÓN SI FUESE NECESARIO, USTED PUEDE ABRIR HASTA 4 CAJAS PARA REVISAR EL PRODUCTO. NO ABRA TODAS LAS CAJAS. ABRIR TODAS LAS CAJAS SIGNIFICA ACEPTAR EL PRODUCTO. REVISE CUIDADOSAMENTE TODOS LOS TABLONES DE ESAS 4 CAJAS. VERIFIQUE EL COLOR, ACABADO Y CALIDAD DEL PISO. SI CREE QUE EL PRODUCTO TIENE DEFECTOS, O QUE SU CALIDAD ES CUESTIONABLE, DEBE CONTACTAR AL MINORISTA. SI ESTÁ SATISFECHO, PROCEDA A LA INSTALACIÓN.

Antes de instalar, agrupa los tabloncillos de varias cajas para garantizar una distribución uniforme de los colores, los tonos y el diseño del piso instalado. Los tabloncillos de ancho similar deben colocarse juntos en la misma fila para minimizar los espacios entre tabloncillos.

Permite que el piso de vinilo se aclimate al área de instalación durante un mínimo de 48 horas antes de instalarlo.

Compra al mismo tiempo el piso que será instalado en un área grande. El producto comprado posteriormente a la primera compra puede variar más de lo que esperas.

Los accesorios, revestimientos y molduras se fabrican para que hagan juego con los diversos aspectos de los tabloncillos de piso. Cualquier combinación exacta es casual. Los accesorios que no combinen no son productos defectuosos.

Este producto es fabricado según estrictos estándares de calidad. En el caso de descubrirse algún defecto en el sitio de instalación, los estándares de la industria permiten una tolerancia de defecto no mayor del 5%. Ordena un 10% adicional para cubrir pérdidas por cortes y asignaciones para nivelación (más en el caso de instalaciones diagonales).

Durante la instalación, inspecciona los tabloncillos continuamente. Los defectos que se pueden identificar estando de pie deben ser cortados o no ser utilizados. La instalación de tabloncillos defectuosos supone la aprobación del producto.

Los sonidos de chasquidos son el resultado de las interacciones del piso, las viguetas y el contrapiso al moverse. En algunas ocasiones es imposible eliminarlos completamente y los sonidos de chasquidos se deben aceptar como un fenómeno normal del piso.

Para evitar que la garantía sea invalidada involuntariamente, antes de iniciar cualquier actividad que no esté cubierta por este manual, comuníquese con el Equipo de Atención al Cliente llamando al 866-843-8453.

REQUISITOS DEL CONTRAPISO DE CONCRETO

Los contrapisos de concreto deben:

- Tener una resistencia certificada mínima de 3000 psi.
- No tener un desnivel mayor que 6.4 mm en un espacio de 305 cm; sin protuberancias ni hoyos. Las protuberancias pueden ser removidas esmerilándolas; las depresiones pueden ser rellenadas con compuesto para parchado formulado para uso en instalaciones de piso. Los contrapisos no deben tener una inclinación mayor que 2.5 cm por cada 183 cm.
- Deben estar limpios; sin escombros de construcción, tierra, barro y cualquier otro objeto sobre o adherido al piso; si es necesario, raspa y barre antes de la instalación; no deben quedar clavos salidos, escombros o metales.
- Las losas de concreto nuevas deben curarse por lo menos por 90 días. Debe tener con una hoja de polietileno de mínimo 10 milipulgadas entre el suelo y el concreto.
- Estar libres de condiciones de humedad que puedan dañar el piso instalado.

HUMEDAD DEL CONCRETO

Prueba todos los contrapisos de concreto para contenido de humedad y documenta los resultados. Las revisiones visuales no son confiables.

Lleva a cabo pruebas en ubicaciones de umbrales de puertas exteriores, cerca de paredes que contienen tubería, cerca paredes de cimentación y en el centro de la habitación. El tamaño mínimo de muestra es de 3 muestras por cada 93 m² de área y una prueba por cada 93 m² adicionales.

El contenido de humedad debe cumplir uno de los siguientes criterios:

- Máximo de 4% al medir con Tramex Concrete Moisture Encounter.
- Menos de 3.6 kg por cada 93 m² durante 24 horas usando la prueba con cloruro de calcio (ASTM F1869).
- Máximo de 85% cuando se use la Prueba de Humedad Relativa (ASTM F2170).

NOTA: Un contenido de humedad del concreto puede ser aceptable en el momento de la prueba. Estas pruebas no garantizan perpetuamente una losa “seca” de concreto. El contenido de humedad de la losa de concreto puede variar en otros momentos durante al año. No somos responsables por daños causados por humedad en el piso instalado.

REQUISITOS DEL CONTRAPISO DE MADERA

El contrapiso debe estar limpio; sin escombros de construcción, tierra, barro y cualquier otro objeto sobre o adherido al piso; no deben quedar clavos salidos, escombros o metales. Si es necesario, raspa y barre el contrapiso antes de la instalación.

La estructura del contrapiso debe estar fuerte y estable; no debe haber movimientos ni chirridos; no debe haber paneles ni clavos sueltos; no debe haber señales de pérdida de laminado de las capas u otros daños. Repara todos los defectos antes de la instalación.

El contrapiso debe ser plano; sin protuberancias ni hoyos; el contrapiso no debe tener un desnivel mayor que 6.4 mm en un espacio de 305 cm. Comprueba la humedad con un medidor de humedad confiable. Lleva a cabo pruebas en ubicaciones de umbrales de puertas exteriores, cerca paredes de cimentación, cerca de paredes que contengan tuberías y en el centro de la habitación. Realiza la prueba en 20 lugares por cada 93 m². El contenido de humedad del contrapiso debe ser menor que 13%. La diferencia entre el contenido de humedad del piso y el contrapiso no debe ser superior al 2%.

ESPECIFICACIONES PARA EL PLYWOOD O PANEL DE FIBRAS ORIENTADAS (OSB)

En los espacios de armazones/vigas en el medio de 40.6 cm o menos, la norma industrial para contrapisos de paneles sencillos es, como mínimo, paneles de contrapiso de plywood de exposición CD 1 de 1.6 cm (Exposición CD 1) o paneles de contrapiso de exposición OSB 1 de 1.8, láminas de 122 cm x 244 cm. El espacio de expansión entre paneles debe ser de 3 mm. Si los paneles no tienen lengüetas ni ranuras, y si no hay espacio suficiente o es inadecuado, recorta el espacio necesario con una sierra circular. No recortes espacio de expansión en paneles con lengüeta y ranura.

MADERA AGLOMERADA O TABLERO DE FIBRA

Sólo para instalación flotante.

PISOS EXISTENTES

Al instalar sobre pisos existentes, el instalador debe tener en cuenta problemas potenciales relacionados con los daños por humedad, y con fallas del adhesivo o de sujetadores. Contacta a los fabricantes del adhesivo y de los sujetadores para conocer los requerimientos, recomendaciones e instrucciones específicas.

Las cubiertas de piso aceptables incluyen: Madera dura maciza, linóleo (sólo una capa), y losas de terrazzo, cerámica y piedra. Los pisos de losas con líneas de lechada mayores de 6 mm necesitarán un relleno cementoso de nivelación para rellenar cualquier línea de lechada, depresiones o grietas.

Las cubiertas de piso no aceptables incluyen: Alfombra (cualquier tipo), base de espuma, vinilo con parte posterior acolchada, goma, corcho, laminados, pisos suspendidos, y pisos de madera sobre concreto.

CONDICIONES DEL LUGAR DE TRABAJO

Antes de instalar, el instalador debe asegurarse que durante la instalación, las condiciones del lugar de trabajo, incluyendo el contrapiso/sustrato, la temperatura ambiente y la humedad relativa, y todas las variables que puedan influir, no afectarán el piso de manera negativa. El fabricante rechazará la responsabilidad por daños asociados con una instalación inadecuada o con malas condiciones del lugar de trabajo.

ALMACENAJE Y CONDICIONES

Acondiciona los tabloncillos de vinilo antes de la instalación. DEBES almacenar los tabloncillos de vinilo de manera horizontal en la habitación donde van a instalarse 48 horas antes de la instalación. Asegúrate de que la temperatura de la habitación esté entre 65 °F y 85 °F (18 °C y 30 °C). ¡No saques los tabloncillos de la caja durante este período de aclimatación! Mantén también esta temperatura durante la instalación. El sistema de calefacción, ventilación y aire acondicionado (HVAC) debe estar funcionando al menos dos semanas antes de la instalación y permanecer funcionando después de la instalación pues los tabloncillos de vinilo deben estar en un ambiente con temperatura controlada. El producto debe almacenarse en posición horizontal en un

área seca lejos de la luz directa del sol. No lo dejes cerca de conductos de calefacción o aire acondicionado. Asegúrate de que se completen todos los trabajos para eliminar pinturas y polvo de las paredes. No almacenes el piso en condiciones ambientales no controladas. Por ejemplo, los garajes y patios exteriores no son áreas aceptables para almacenar el piso. Los pisos almacenados sobre losas de concreto deben elevarse al menos 10.2 cm para permitir que circule el aire debajo de las cajas.

HOGAR EXISTENTE

Un hogar existente debe tener una temperatura constante en las habitaciones entre 65 °F y 85 °F (18 °C y 30 °C) y una humedad relativa entre 35% y 85%. Un cambio constante de estas condiciones afectará las dimensiones del piso. Al usar un calentador durante los meses de invierno, la humedad puede reducirse hasta por debajo del rango aceptable. Durante los meses más calientes, mantén los niveles de humedad usando el aire acondicionado, un deshumidificador, o con el uso periódico del sistema de calefacción.

CONSTRUCCIONES NUEVAS O RENOVACIONES

Todos los trabajos que incluyan agua, tales como los pisos de concreto en sótanos por donde corra el agua, drywall y yeso, plomería, etc., deben estar terminados mucho antes de que el piso sea entregado. Asegúrate de que la construcción esté cerrada. Donde los códigos de construcción lo permitan, los sistemas de aire acondicionado y/o calefacción permanentes deben estar funcionando al menos durante dos semanas antes de la instalación y deben mantenerse durante y después de la instalación. Si no es posible que los sistemas de aire acondicionado y/o calefacción permanentes funcionen antes, durante y después de la instalación, un sistema temporal de calefacción y/o deshumidificación que simule las condiciones normales de vida (ocupado) puede posibilitar que continúe la instalación hasta que el sistema permanente de aire acondicionado y/o calefacción esté funcionando a plena capacidad. Tu lugar de trabajo debe tener una temperatura constante entre 65 °F y 85 °F (18 °C y 30 °C) y una humedad relativa entre 35% y 85%, condiciones que deben mantenerse posteriormente.

AREA DE INSTALACIÓN RECOMENDADA

No instales tabloncillos de vinilo sobre alfombras o sobre cualquier contrapiso de espuma. Este producto no es apropiado para uso en exteriores, terrazas interiores/solarios, saunas, porches de temporada, remolques de acampar, botes, vehículos recreativos o habitaciones que puedan inundarse. No lo instales en habitaciones o casas sin control de temperatura. La exposición prolongada a la luz solar directa puede dañar tu piso. No proteger adecuadamente o teñir las ventanas contra la radiación ultravioleta puede provocar que los tabloncillos de vinilo se decoloren, destiñan o se tuerzan. Usa tratamiento para ventanas o tinte contra los rayos ultravioleta en las ventanas. Los tabloncillos de vinilo no están diseñados para usarse en escaleras o superficies verticales. No los pegues, claves, atornilles ni sujetes al sustrato. Instala primero los gabinetes, los mostradores de penínsulas e islas, los tocadores, las bañeras y las duchas. Después, instala los tabloncillos de vinilo alrededor de ellos.

SÓTANOS Y PASAJES DE ACCESO

Las losas de concreto o el suelo deben estar secos. Asegúrate de que los pasajes de acceso tengan conductos de ventilación abiertos todo el año para garantizar una circulación de aire adecuada y evitar la acumulación de humedad. El suelo de los pasajes de acceso debe estar completamente cubierto con polietileno negro de 6 mil. El espacio entre el suelo del pasaje de acceso y la parte inferior de las vigas no debe ser menor que 45.7 cm y el área de ventilación perimetral debe ser igual al 1.5% de la superficie total del área del pasaje de acceso o según establezca el código.

CONTRAPISOS CON CALEFACCIÓN RADIANTE

Este producto puede instalarse sobre contrapisos con calefacción radiante. El sistema de calefacción radiante debe estar fundido al menos 1.3 cm debajo de la losa de concreto y debe estar funcionando al menos durante 2 semanas antes de la instalación. Configura la temperatura del sistema de calefacción radiante en 68 °F (20 °C) 48 horas antes, durante y 72 horas después de la instalación. Puedes comenzar a elevar la temperatura gradualmente 72 horas después de la instalación. La temperatura de la superficie del piso terminado no debe exceder los 85 °F (29 °C) a lo largo de la vida útil del piso. Debido a que la calefacción radiante crea un calor seco que puede reducir los niveles de humedad en interiores, puede que sea necesario colocar un humidificador para mantener el nivel de humedad entre 30% y 85% para evitar daños al piso de vinilo. Consulta con el fabricante del sistema de calefacción radiante para asegurarte de que el sistema es compatible con el piso de vinilo.

BARRERA CONTRA LA HUMEDAD/ALMOHADILLA DE BASE DE PISO

CONTRAPISO DE CONCRETO

Al instalar sobre un pasaje de acceso o una losa de concreto, puede que sea necesario usar una barrera contra la humedad para evitar la transferencia de humedad. Una película plástica de un grosor mínimo de 6 mil debe colocarse con una unión superpuesta de 10.2 cm-15.2 cm, y adherirse con una cinta apropiada; esto debe combinarse con una almohadilla de base de piso aprobada para pisos flotantes.

CONTRAPISO CON AISLAMIENTO ACÚSTICO

Consulta con el fabricante del aislamiento acústico para conocer las instrucciones de usos. Generalmente, se prefiere el contrapiso con menos compresión.

ESPACIO DE EXPANSIÓN

Se requiere un espacio de 6.4 mm alrededor del perímetro del piso y entre el piso y todos las obstrucciones verticales. No coloques estructuras de instalación permanente, tales como gabinetes/mostradores de cocina, sobre el piso instalado.

MOLDURAS DE TRANSICIÓN

Para instalaciones flotantes, se requiere moldura en T de transición en los casos siguientes: áreas de piso mayores de 914 cm de ancho y 15.2 m de largo; entradas y arcos de menos de 122 cm de ancho.

HERRAMIENTAS Y MATERIALES BÁSICOS

Cinta adhesiva • Medidor de humedad (madera, concreto o ambos) • Cuchilla multiuso y borde recto • Cinta de medir • Tijeras para cortar alrededor de objetos con forma irregular (tuberías) • Espaciadores de 6 mm • Lápiz • Bloque para martillar • Martillo de cara suave • Protección para ojos • Escoba

Consejos Útiles

CONSEJOS GENERALES

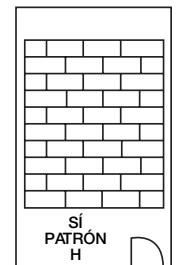
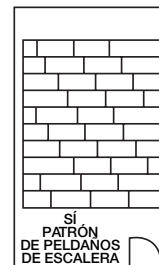
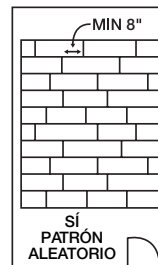
- Asegúrate de que el área de trabajo está bien iluminada. Una buena visibilidad asegura que el color sea consistente y que las tablas visiblemente defectuosas sean detectadas y removidas
- La primera y última tabla deben tener 20.3 cm de largo como mínimo. Si quedan menos de 20.3 cm para la última tabla, ajusta la longitud de la primera tabla. Lo que sobre de la última tabla puede usarse para iniciar en las siguientes filas
- Usar un pedazo más corto en las jambas de puertas socavadas ayudará a que el piso quepa en su lugar
- Nunca golpees el piso directamente con el bloque para martillar y ten cuidado de no romper los bordes del piso.

CÓMO RECORTAR EL ANCHO DE LA ÚLTIMA HILERA

- En la mayoría de los casos la última fila entera deberá ser cortada para que quepa en el espacio restante.
- Mide la distancia entre la pared y el borde frontal del piso (excluyendo la lengüeta). Resta 6.4 mm de esta medición para el espacio de expansión. Dibuja una línea. Recorta a través de la línea. Desecha los pedazos sobrantes. Continúa con la instalación

Cómo prepararse para la instalación

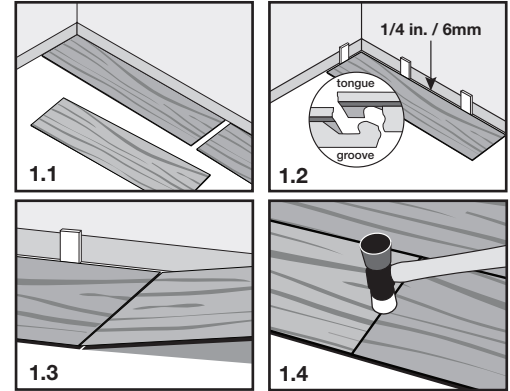
- Asegúrate de que los contrapisos estén limpios.
- Saca los tabloncillos de varias cajas. Mezcla los tabloncillos aleatoriamente para garantizar una buena combinación de colores y tonos, y el espaciado de las uniones de extremos. El escalonado de extremo mínimo es de 20.3 cm. Revisa la calidad y nivelación de los tabloncillos.
- Distribuye las molduras de acabado con antelación y encuentra los tabloncillos cuyos tonos combinen más. Apártalos para usarlos posteriormente.
- Retira con cuidado el umbral, la moldura de zócalo y la base existentes. Pueden usarse para cubrir el espacio de expansión de 6.4 cm dejado alrededor del borde de la habitación.
- Recorta por debajo las puertas y los contramarcos con una sierra de mano colocada horizontalmente sobre una pieza de piso sobrante. Nunca recortes los contramarcos de puertas de metal.
- Instala el contrapiso (si se usa) de forma paralela al piso según las instrucciones del fabricante de contrapisos. Cualquier solapamiento (superior) debe estar en el mismo lado de la ranura del piso de forma tal que los tabloncillos de vinilo se deslicen fácilmente hasta su lugar. Cubre todas las uniones con cinta. Asegura el material del contrapiso según sea necesario para evitar el movimiento excesivo.



Installation

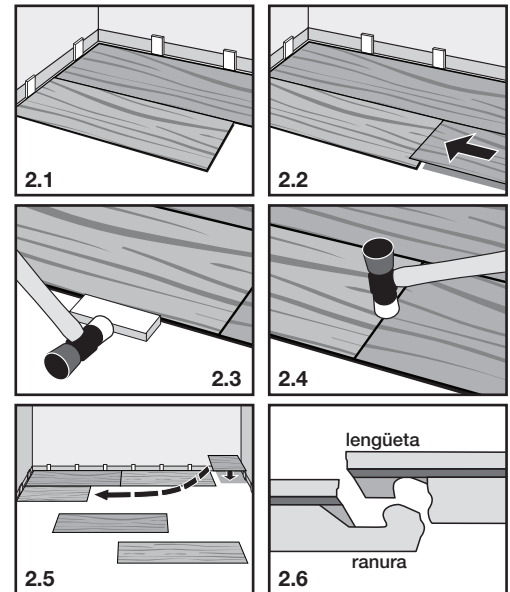
1. CÓMO INSTALAR LA PRIMERA FILA

- Primero coloca una fila de tablas sueltas (o sea, sin ajustarlas entre sí; Fig. 1.1) para determinar si necesitas ajustar el largo de la primera tabla, para que no haya una tabla pequeña (menos de 20.3 cm) en la pared opuesta a la de inicio. También puedes medir la longitud de la habitación y dividirla entre 122 cm (largo de un tablón). Si queda menos de 20.3 cm, calcula de lo que sobra y corta esa medida de la primera tabla. La última tabla debería tener el mismo largo que la primera. Para recortar un tablón, simplemente mide y marca el tablón. Después, usa un borde recto y una cuchilla multiuso para marcar y partir de un golpe.
- La instalación debe empezar por una esquina (extremo izquierdo) y continuar desde la pared con la lengüeta mirando en la dirección a la pared (Figura 1.2). Deja un espacio de 6.4 mm como mínimo para que el contrapiso se mueva o el producto se expanda; este espacio debe quedar oculto al colocar las molduras. Coloca separadores de 6.4 mm para crear el espacio que se requiere para la expansión.
- Coloca la primera fila en una línea recta, engancha los extremos cortos insertando la lengüeta en la ranura de la tabla cercana (Figura 1.3). Instala cada tablón contiguo en el extremo corto y asegúrate de alinearlos uniformemente. Usa un martillo de cara suave para golpear hacia adentro la unión corta de los tabloncitos y garantizar un ajuste firme (Figura 1.4). Esto es fundamental para una instalación correcta.
- Escalona las filas de modo que las uniones de los bordes cortos no queden en una línea recta y uniforme. Consulta la sección "CÓMO PREPARARSE PARA LA INSTALACIÓN" para conocer los patrones de instalación recomendados.



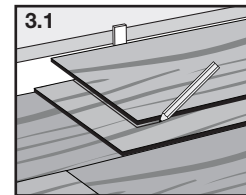
2. CÓMO INSTALAR LA SEGUNDA Y EL RESTO DE LAS FILAS

- Comienza la segunda fila con el tablón cortado hasta unos 2/3 de su longitud; mide y marca el tablón. Después, usa un borde recto y una cuchilla multiuso o tijeras para marcar y partir el tablón de un golpe.
- Engancha el primer tablón de la fila 2 conectando el lado largo con la primera fila (Figura 2.1). Mantén el espacio de expansión. Entonces, engancha el segundo tablón conectando el lado largo a la primera fila y deslizándolo hacia arriba hasta el extremo corto del primer tablón. Después, ubica y encaja (Figura 2.2). Para garantizar un ajuste firme, usa un bloque para martillar y un martillo de cara suave para golpear sobre las uniones largas (Figura 2.3); después, golpea hacia abajo sobre la parte superior del tablón en las uniones cortas (Figura 2.4).
- Al cortar un tablón para comenzar una fila, necesitarás cortar el extremo de la ranura. El pedazo que sobre puede usarse en el lado opuesto de la habitación, al final de esa fila (si la distribución así lo permite; Figura 2.5). Consulta la Figura 2.6 para ver un primer plano del mecanismo de cierre del extremo de unión de extremo.



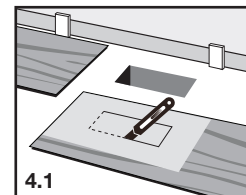
3. CÓMO INSTALAR LA ÚLTIMA FILA

- Recorta el primer tablón de la última fila a la medida (según el patrón deseado). Colócalo directamente sobre la fila instalada anteriormente. Después, toma otro tablón y colócalo contra la pared (dejando un espacio de expansión de 6.4 mm) y sobre el tablón que se cortará al ancho adecuado. Marca el tablón y pártelo de un golpe (Figura 3.1). Continúa con este método para el resto de los tabloncitos de la última fila. Siempre coloca contra la pared el extremo cortado del tablón.



4. CÓMO AJUSTAR ALREDEDOR DE OBJETOS CON FORMA IRREGULAR

- Haz una plantilla con papel grueso alrededor de tuberías u objetos con forma irregular (Figura 4.1). Coloca la plantilla sobre el tablón y marca. Corta siguiendo las líneas trazadas con la ayuda de una cuchilla multiuso o tijeras afiladas, y coloca el tablón. Asegúrate de dejar un espacio de expansión de 6.4 mm como mínimo alrededor de todos los objetos fijos, los gabinetes y las jambas de puertas de metal. Recorta la parte inferior de las jambas de puertas de madera. Rellena cualquier espacio de expansión alrededor de áreas potencialmente húmedas (tales como refrigeradores, bañeras y electrodomésticos) con pasta selladora de silicona premium y 100% impermeable.



NOTA: Las habitaciones con un área mayor que 139 m² (15.2 m x 9.1 m) requieren el uso de molduras de transición en T a juego. Las entradas y arcos con un ancho menor a 1.2 m también requerirán el uso de molduras de transición en T.

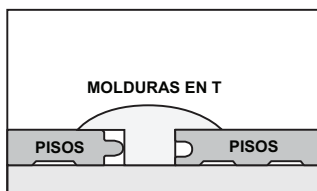
NOTA: Guarda cualquier sobrante de los tabloncitos. No los deseches pues son del mismo color (lote de teñido) que tu piso. Pueden usarse para reemplazar algún tablón en caso de que sea necesario en el futuro.

Accesorios

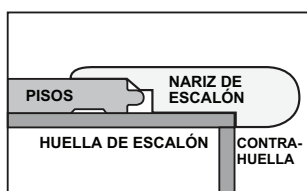
Las imágenes sólo tienen un propósito ilustrativo general. Los productos reales pueden ser diferentes de los mostrados en las imágenes.

- Limpia el piso.
- Instala o reinstala todas las piezas de moldura de pared. Clávalas a través de la pared, pero no del contrapiso para así evitar restringir el espacio de expansión.
- Instala piezas de moldura de transición. Clávalas al contrapiso, no al piso
- En las entradas de las puertas se deben usar transiciones para proteger los bordes del piso y proporcionar una transición decorativa de un tipo de piso hacia el otro.
- Si el piso debe ser cubierto, usa un material que respire como cartón. No lo cubras con plástico.

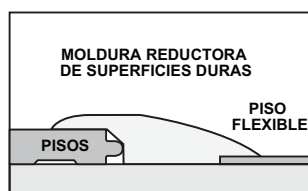
Molduras en T: Se usan para crear una transición entre las cubiertas de piso de alturas similares o para cubrir un espacio de expansión.



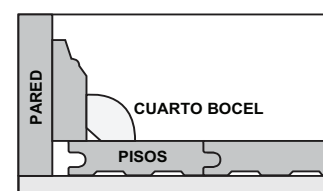
Nariz de escalón: Se usa junto con el piso instalado en los peldaños de las escaleras o bordes acabados de un piso a nivel diferente, como en una sala de estar a nivel más bajo.



Moldura reductora de superficies duras: Se usan para las transiciones hacia otro piso duro a una altura diferente, tales como de losa, vinilo o concreto.



Cuarto bocel: Se usan para cubrir el espacio de expansión entre la base de la pared y tu piso. También puede usarse para realizar transiciones suaves entre el piso y los gabinetes. Puede usarse con o sin moldura de base de pared.



Cuidado y mantenimiento

MANTENIMIENTO DIARIO

- Regularmente barre, sacude, pasa el trapeador húmedo o la aspiradora a tu piso para quitar cualquier partícula que pueda generar abrasión o que pueda rayarlo.

PRECAUCIÓN: Nunca uses aspiradoras con cabeza de barra batidora ni con cepillos giratorios eléctricos porque pueden dañar el piso.

- Usa un trapeador húmedo para remover manchas y tierra. Usa cualquier limpiador de vinilo de alta calidad y con pH neutral. De manera alternativa, usa un limpiador biodegradable que no necesite enjuagarse y que no deje residuos o capas después de aplicarse.
- En áreas con suciedad ligera, usa agua destilada para limpiar.
- **CONSEJO:** Para mejores resultados, limpia el piso en la misma dirección de los tabloncillos. Cuando la toalla o el trapeador se ensucien, lávalos o cámbialos por unos limpios. Luego con una toalla seca y limpia remueve las marcas de franjas y manchas residuales.
- **NO** dejes restos de líquidos (agua, jugo, bebidas gaseosas, derrames, etc.) sobre el piso. Limpia cualquier mancha húmeda de inmediato.
- **NO** uses limpiadores a vapor de ningún tipo
- **NO** uses un trapeador mojado ni empapes el piso con agua o limpiadores líquidos. El líquido puede penetrar entre las grietas y causar daño por humedad.
- **NO** uses ninguna sustancia de limpieza que contenga cera, aceite o esmalte. Los residuos formarán una película opaca.
- **NO** uses una esponja de alambre ni ningún polvo abrasivo ya que estos rayarán el piso.
- **NO** uses ningún limpiador doméstico contra el polvo, ya que el piso puede volverse resbaloso o puede dañarse el acabado.
- Evita los derrames de pintura, tintes, o químicos fuertes.
- Evita la exposición prolongada a la luz solar directa. Usa tratamiento para ventanas o tinte contra los rayos ultravioleta en las ventanas.

PRODUCTOS DE CUIDADO PARA EL PISO DE MARCA O DISPONIBLES PARA LA VENTA

Si ninguno de los anteriores es efectivo y eliges usar un producto comprado en una tienda, prueba primero el producto en un área no visible (por ej., en un clóset, esquina, o pedazos sobrantes) para conocer los posibles efectos secundarios adversos.

MANTENIMIENTO PREVENTIVO

- Protege tu piso utilizando una plataforma rodante para mover muebles y electrodomésticos. Es posible que necesites láminas protectoras y/o plywood. Nunca ruedes o muevas muebles o electrodomésticos pesados sobre el suelo.
- Usa protectores de piso planos (nylon o fieltro) en las patas de todos los muebles. Limpia los protectores con frecuencia para quitar la arenilla que puede incrustarse y causar rayones.
- Evita exponer el piso al ingreso de cantidades excesivas de agua durante períodos de clima inclemente
- Minimiza la exposición a materiales abrasivos y a la suciedad colocando tapetes en ambos lados de las puertas exteriores y usando alfombras de área en zonas de tráfico pesado
- Reorganiza los muebles y las alfombras periódicamente para evitar tonalidades de color y cambios de tono debido a la exposición de luz
- Usa alfombras protectoras debajo de sillas giratorias y mantén limpias las ruedas de los muebles
- En todas las entradas, usa tapetes cuya parte posterior **NO SEA DE GOMA** para evitar que el piso se decolore debido a las entradas de autos de asfalto o para evitar que la suciedad y el polvo lleguen al piso. Los tapetes con parte posterior de goma pueden decolorar tu piso.
- Recomendamos usar tapetes para sillas con superficie dura que no sea de goma para proteger tu piso de las sillas de oficina con rueditas. Los muebles livianos y rodantes deben tener ruedas anchas y que no manchen que hayan sido diseñadas para pisos de superficie dura. Tales ruedas deben tener un mínimo de 2.5 cm de ancho y 5.1 cm de diámetro.
- Mantén cortas las uñas de las mascotas.
- Quitate los zapatos con tacos, clavos o tacones muy puntiagudos antes de caminar sobre el piso.

MANTENIMIENTO CLIMÁTICO

- Se deben controlar los niveles de humedad dentro del rango de 35% y 85%.
- Climas secos: Se recomienda usar un humidificador para mantener los niveles de humedad. Las estufas de leña y la calefacción eléctrica tienden a crear condiciones muy secas durante los meses de invierno lo que también causará que el piso se encoja.
- Climas húmedos y mojados: El uso del aire acondicionado, la calefacción o un deshumidificador puede mantener los niveles adecuados de humedad para evitar la expansión excesiva debido a altos niveles de humedad.

REPARACIÓN DEL PISO

- Rayones muy profundos pueden requerir que se reemplacen los tabloncillos.