

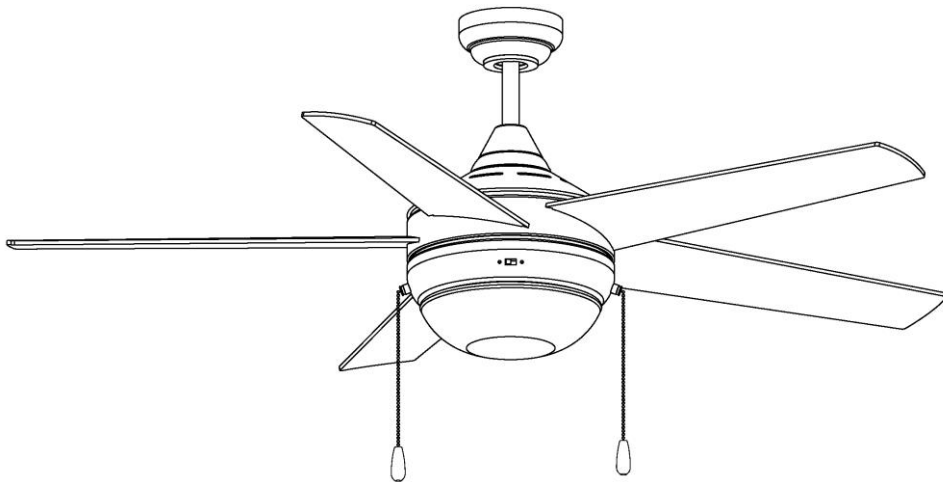
READ AND SAVE



CEILING FANS

INSTALLATION INSTRUCTION

Lexi Series



DH MODEL: 154344

READ AND SAVE THESE INSTRUCTIONS

READ AND SAVE THESE INSTRUCTIONS



Before beginning installation of your new LEXI ceiling fan, read and follow these safety precautions. If you are not familiar with national and local electrical codes and basic electrical wiring procedures, we recommend that you have a qualified electrician install your new ceiling fan.

- ◆ Before you begin, **TURN OFF THE ELECTRICITY.** Determine which circuit your new fan will be using and remove the fuse or turn off the circuit breaker at the main electrical panel.
- ◆ Make sure that all wiring conforms to national and local electrical codes. If you are in question, obtain a copy of the codes and wire the fan accordingly. Never leave bare wires uncovered (*wire connection*) use wire nuts to cap all connections. Plastic electrical tape is not recommended.
- ◆ When working with electricity, never take short cuts. Follow the code in every respect. Basic requirements for a ceiling fan installed with lights are 120 volts AC - 60Hz on a grounded circuit with a 15-amp breaker or fuse. Make sure that your electrical system and choice of location meet these requirements.
- ◆ If the location where you plan to install your fan does not already have an electrical outlet, hire a licensed electrician to run the wiring and install an outlet box designed for ceiling fans or heavy fixtures. The outlet box should be able to support a minimum moving weight of 50 pounds and marked "Acceptable for Fan Support" (*Plastic outlet boxes are not recommended for ceiling fan installation*).
- ◆ If you plan to use an existing electrical location check to make sure that the outlet box is not **PLASTIC**, that it is securely attached and able to support at least 50 pounds of moving weight and marked "Acceptable for Fan Support". If you have any questions outlet boxes and support systems for ceiling fans are available at most hardware and do-it-yourself centers. In most cases your Design House dealer will have all the necessary products for the proper and safe installation of your ceiling fan.
- ◆ The location you choose should have a minimum clearance of 20 inches from any wall to the blade tip at any point in its rotation and a minimum of 7 feet from blade level to floor and 10 inches from the blades.

◆This ceiling fan was not designed for installation in any location where it might be exposed to moisture or high humidity. Direct exposure to water will damage the unit and could be unsafe, cause personal injury.

◆Every effort has been made to provide you with proper instructions for the safe installation of this ceiling fan. You could however, encounter situations or problems not covered in this manual. Should this occur, please refer to a do-it-yourself wiring handbook or hire a qualified electrician to install your fan.

◆Never attach the blades to your ceiling fan before the fan body is properly mounted on the ceiling.

◆Lubrication of your new ceiling fan is not necessary. The ball bearings have been adequately charged with grease and permanently sealed at the factory so that under normal conditions further attention is not necessary.



To reduce the risk of fire electrical shock or personal injury mount this fan to an outlet box marked "Acceptable for Fan Support" and use the Mounting Screws provided with the outlet box. **CAUTION:** Install the primary mounting means and use only the hardware provided with the fan.



To reduce the risk of personal injury, **take care not to bend** the blade carriers. Be careful not to insert foreign objects into rotating fan blades.



The important safeguards and instructions appearing in this manual are not meant to cover all possible conditions and situations that may occur. It must be understood at common sense, caution and careful attention to detail are factors which cannot be built into this product. These factors must be supplied by the person or persons installing, caring for and operating the unit.

Step 1. Unpacking your fan.

Carefully open the packaging. Remove items from Styrofoam inserts. Remove motor housing and place on carpet or Styrofoam to avoid damage to finish. Do not discard fan carton or Styrofoam inserts should this fan need to be returned for repairs. Check against parts inventory that all parts have been included.

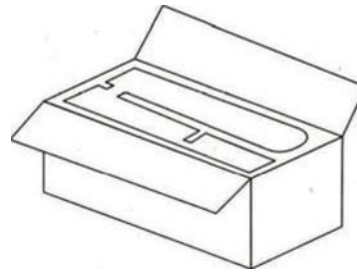


Fig. 1

Step 2. Parts inventory.

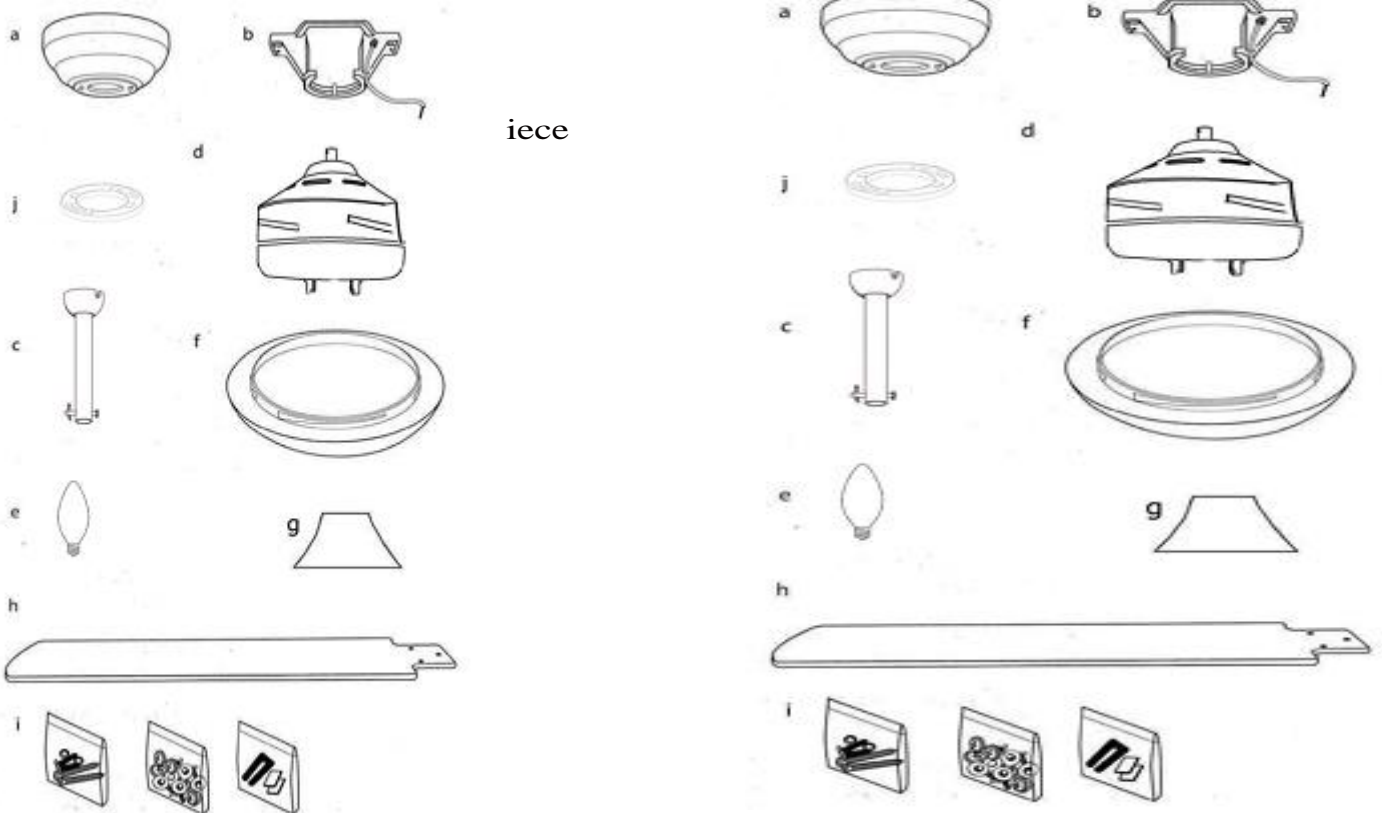


Fig.2

Step3. Installation Preparation

To prevent personal injury and damage ensure that the hanging location allows the blades a clearance of 84" from the floor and 30" from any wall or obstruction.

This fan is suitable for room sizes up to 400 square feet.

This fan can be mounted with a downrod on a normal or vaulted ceiling. Other installation such as flush-mount is not available for this fan. The hanging length can be extended by purchasing a longer downrod.

Installation requires these tools:
 Phillips screw driver flat-head screw driver,
 adjustable pliers or wrench step ladder, wire cutters and rated electrical tape.

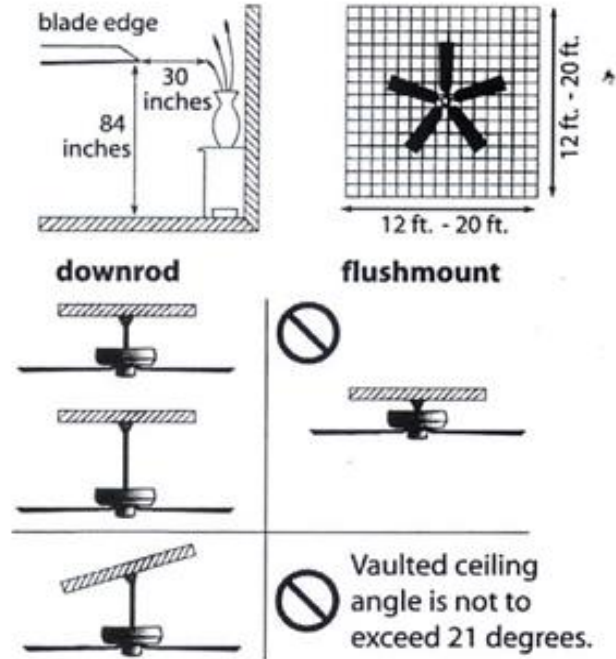


Fig.3

Step4. Hanging Bracket Installation

Turn off circuit breakers to current fixture from breaker panel and be sure operating light switch is turned to the off position.

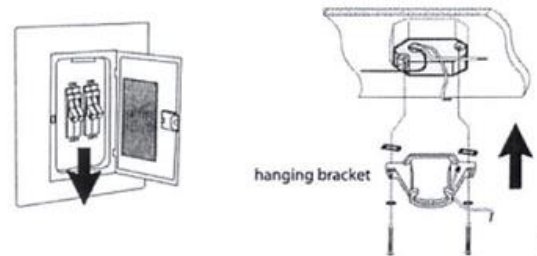


Fig. 4-1

WARNING: Failure to disconnect power supply
 Prior to installation may result in serious injury.

WARNING: When using an existing outlet box be sure the box is securely attached to the building structure and can support the full weight of the fan. Ensure it is clearly marked "suitable for Fan Support." If not, it must be replaced with an approved outlet box. Failure to do so can result in serious injury.

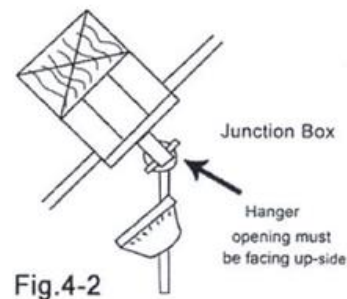


Fig.4-2

Install hanging bracket to outlet box using original screws and spring washers provided with new or original outlet box. If installing on a vaulted ceiling, face opening of hanging bracket towards high point of ceiling. Arrange electrical wiring around the back of the hanging bracket and away from the bracket opening.

Note: You may need a longer downrod to maintain proper blade Clearance when installing on a steep sloped ceiling.

Step 5 Fan Assembly

Remove the SET SCREW(2) in the SUPPORT ROD COUPLER remove six SCREWS from TOP PLATE located on the MOTOR YOKE. Lift TOP PLATE and set side.

Time Saver: WASHERS for BLADE SCREWS can be set on each BLADE SCREW prior to installing BLADES.

Locate 13pcs BLADE attachment SCREWS and WASHERS in HARDWARE PACK. Slide BLADE through CENTER BAND and align holes. Insert 3pcs BLADE SCREWS and WASHERS with fingers. Tighten securely with a phillips screwdriver. Repeat for the remaining BLADES.

Reattach to PLATE to MOTOR YOKE and install it by aligning the key slot holes on the MOTOR YOKE using previously removed SCREWS.

NOTE:The REVERSE SWITCH must be situated in the rectangle hole labeled on the TOP PLATE.



If you are using an extended SUPPORT ROD, (longer than the one supplied with your fan) remove the HALF BALL from the support assembly and attach it to the extended SUPPORT ROD at this point. Make sure to retighten the SET SCREW and insert the SAFETY PIN.

Remove and save the SAFETY PIN and WASHER on the end of the SUPPORT ROD assembly. Slide the ceiling CANOPY onto the SUPPORT ROD, followed by the SUPPORT ROD COUPLER COVER (see figure 8). Feed the ELECTRICAL WIRES from the FAN HOUSING through the SUPPORT ROD.

Thread the SUPPORT ROD into the SUPPORT ROD into the SUPPORT ROD COUPLER until the SAFETY PIN can be inserted through the hole in both the ROD and COUPLER.

Insert the SAFETY PIN through the hole in the SUPPORT ROD COUPLER and SUPPORT ROD then attach WASHER into SAFETY PIN and the RETAINING CLIP on the other side.

Tighten both SET SCREWS and SAFETY SCREW on the SUPPORT ROD COUPLER.

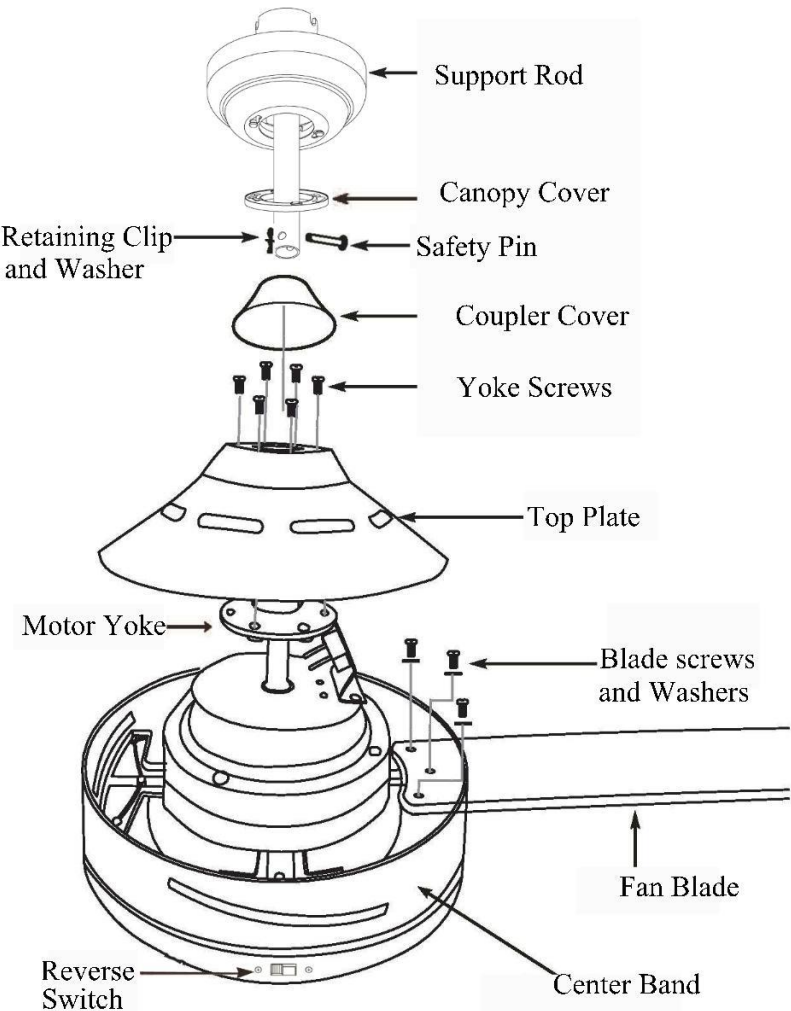


Fig. 5

Step 6 Hanging the Fan Body

Make sure the BALLHANGER on the end of the SUPPORT ROD is positioned with the grooved side down (see figure 6-1). The KEYWAY fits over the small KEYWAYPIN on the inside of the MOUNTING BRACKET and keeps the ceiling fan from spinning on the MOUNTING BRACKET.

Using your step ladder, lift the fan and place the

BALLHANGER in the center of the MOUNTING BRACKET with the KEYWAYPIN inserted into the KEYWAY on the BALL. Turn the fan left and right slightly to make sure it is seated on the bracket with the KEYWAY PIN in the KEYWAY (see figure 6-2).

Trim the LEAD WIRES leaving about six inches of each wire extending from the SUPPORT ROD (see figure 6-3).

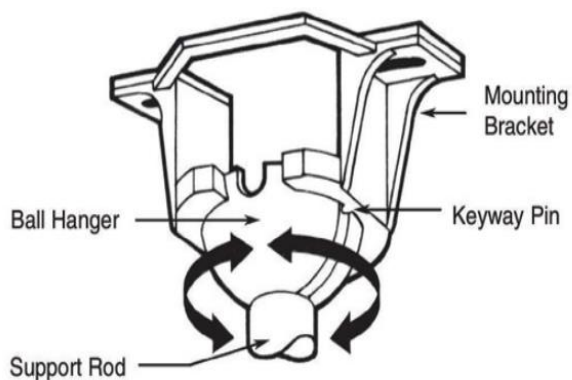
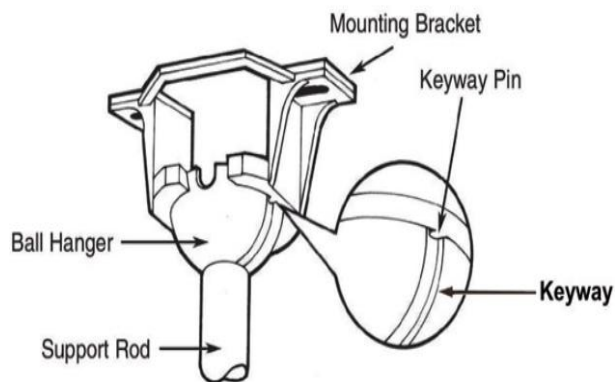


FIG 6-2

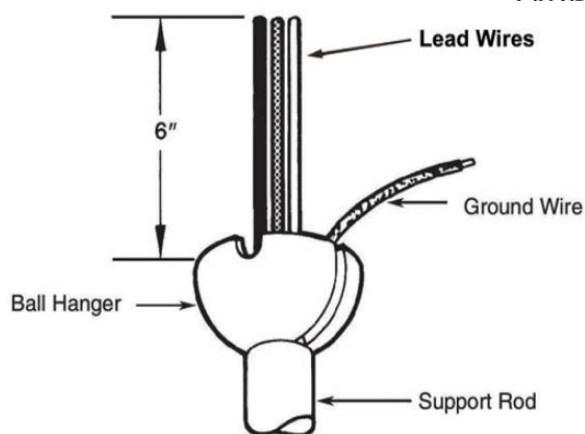


Fig. 6-3

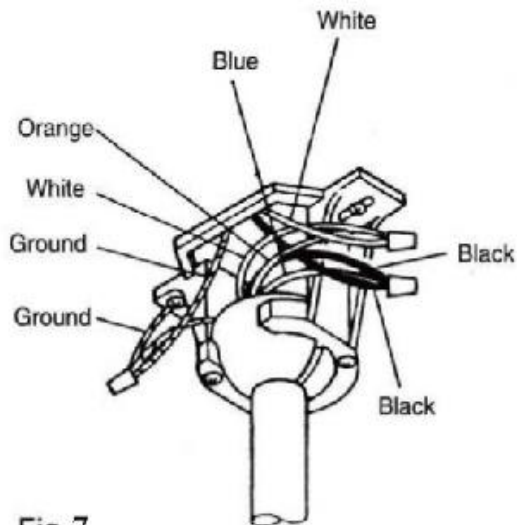


Fig.7



Step7 Making the electrical connections

Make electrical connections from the fan to supply power in mounting bracket.

-Attach the GREEN wire (connected to the BALL HANGER) to the GROUND wire in the junction box. The GROUND wire is usually a bare copper wire without plastic insulation. It could also be covered in green plastic.

-Attach the BLACK and BLUE wire from the fan to the BLACK supply wire in the junction box.

-Attach the WHITE and ORANGE wire from the fan to the WHITE supply wire in the junction box.

Step8 Install Ceiling Canopy

Lift the ceiling CANOPY up into place covering the MOUNTING BRACKET.

Push the CANOPY up so the CANOPY SCREWS come through the MOUNTING HOLES in the CANOPY. Rotate the CANOPY slightly and tighten the SCREWS.

Slide the CANOPY COVER over the SCREWS in the CANOPY and TIGHTEN counterclockwise.

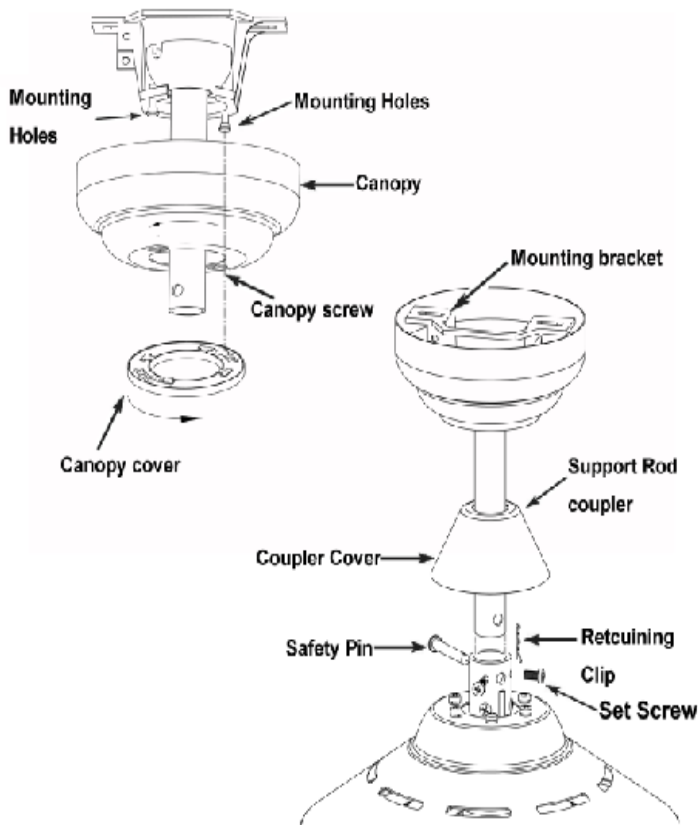


Fig.8

Step9 Installing Bulbs

Screw 7W LED BULBS into the E12
Candela bra based SOCKETS. Screw
GLASS SHADE into FAN HOUSING.
Make sure GLASS SHADE is secure
but not overly tight.

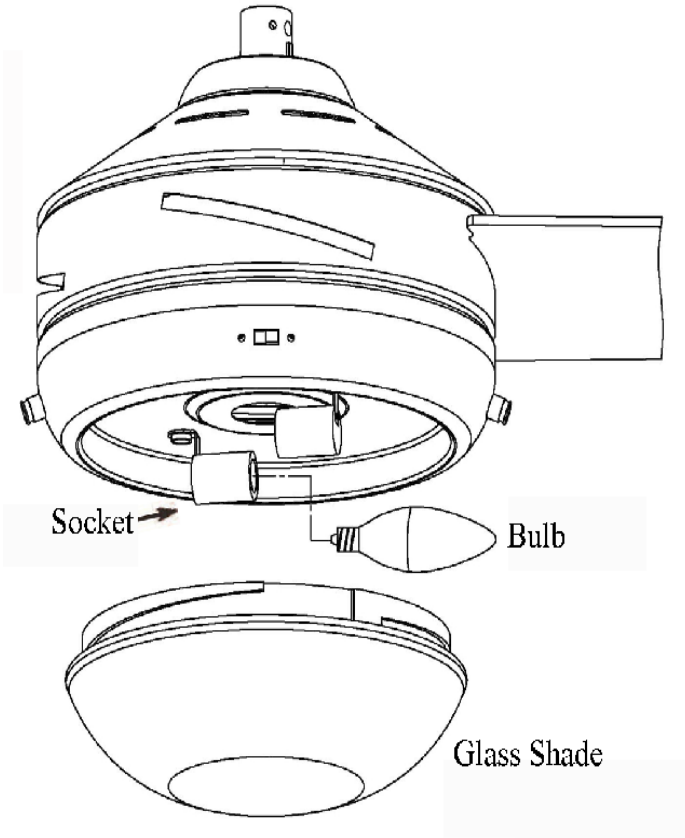


Fig. 9

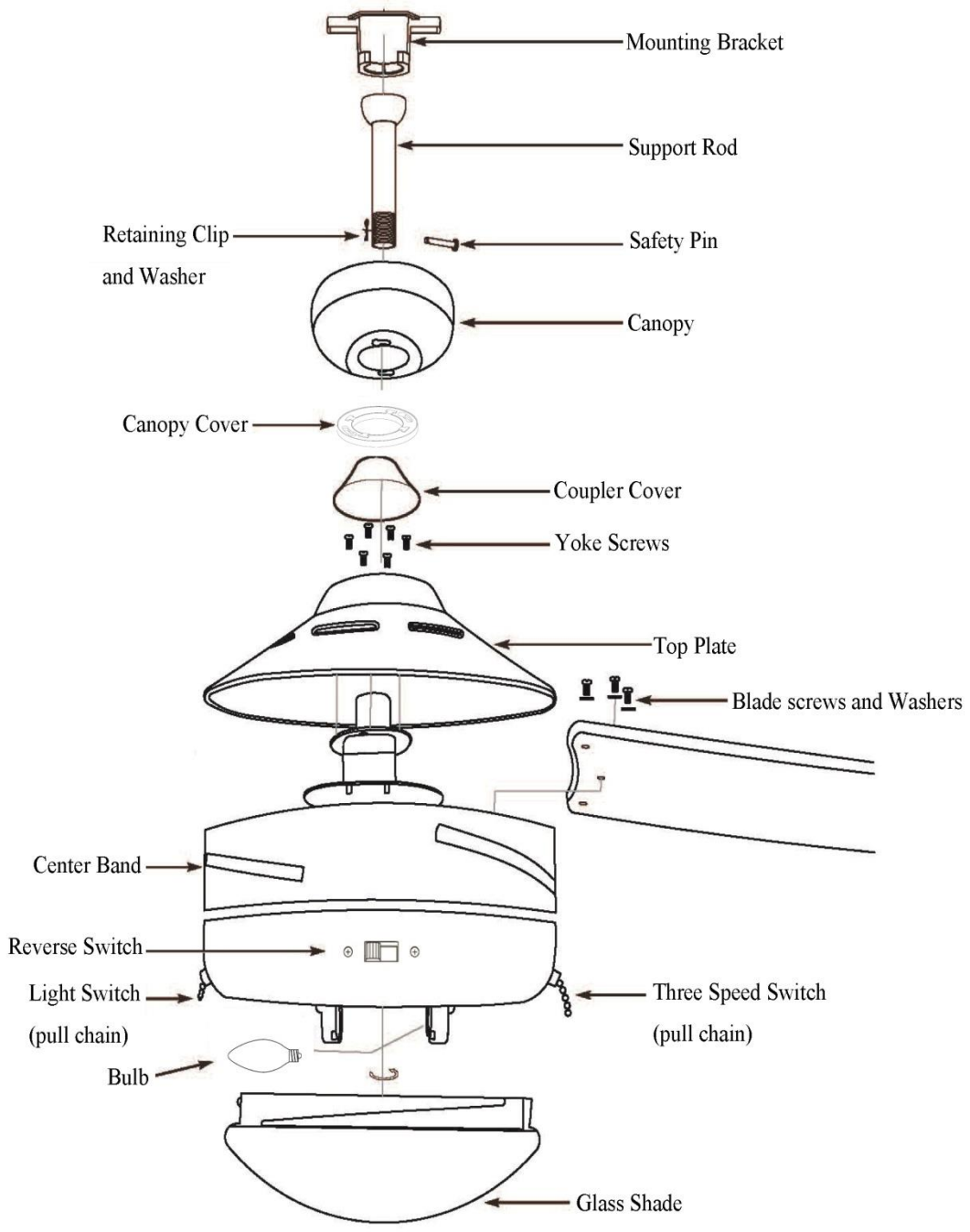


Fig.10