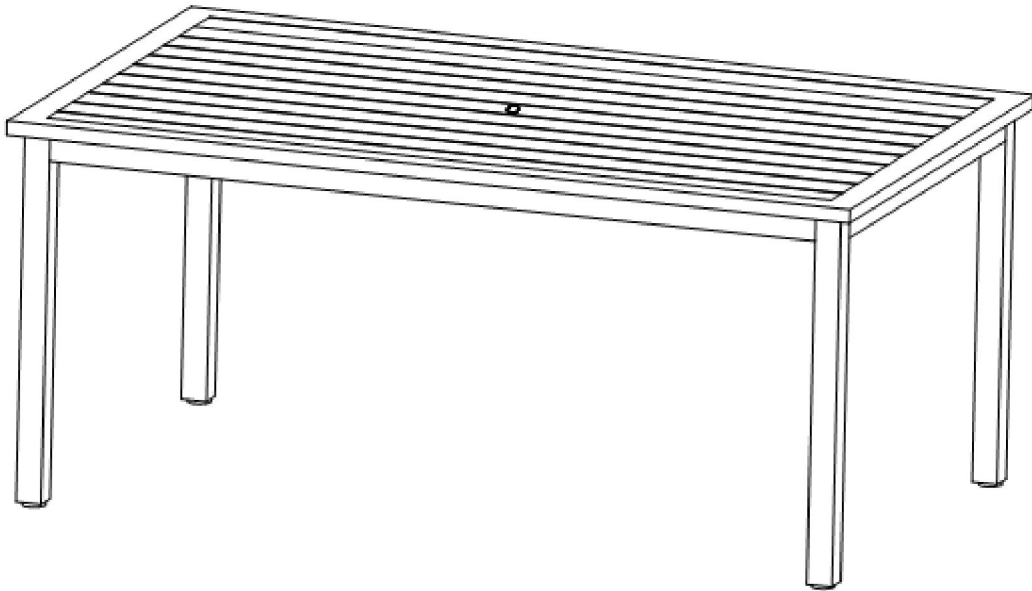


Steel Slat Rectangle Dining Table Assembly Instructions



Item# NORRTT101

If you have any problems with this product,
(missing or damaged parts, assembly issues, etc.),

Contact us directly for fastest service:

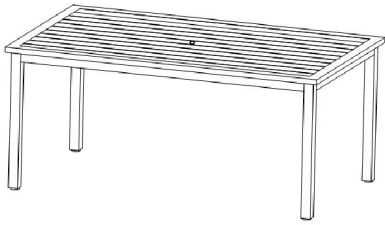
Email Us:

customerservice@royalgarden.com




Call us on our Toll-Free Customer Service Hotline:

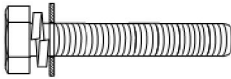

8 a.m. -5 p.m., PST Monday - Friday

866-988-3300



Steel Slat Rectangle Dining Table
Item # NORRTT101

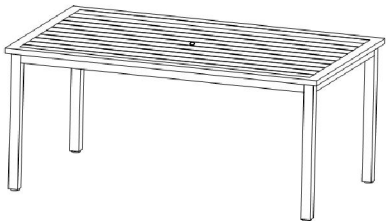
PART	QTY	PICTURE
A	1	
B	4	
C	1	

PART	QTY	PICTURE
AA	8	
BB	1	

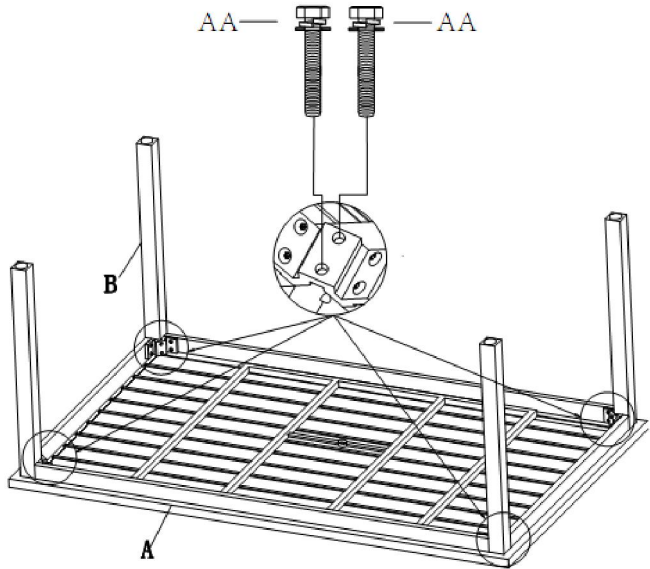
ATTENTION:

1. To avoid damage of your new patio furniture, please use either the carton or another soft surface such as carpet to prevent product scratches during assembly.
2. To better line up assembly points, loosely tighten bolts until the furniture is fully assembled. Then fully tighten bolts.

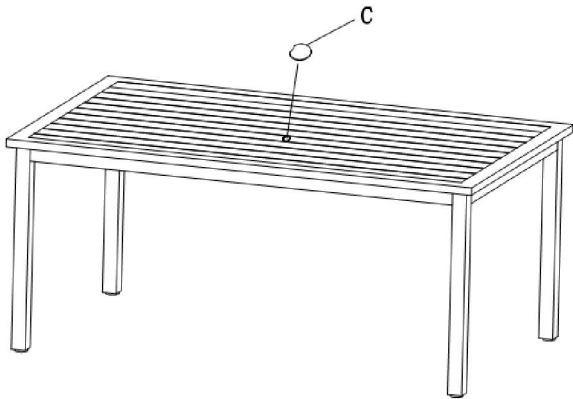
Steel Slat Rectangle Dining Table
Item # NORRTT101



Step 1:



Step 2:



- About Your New Outdoor Furniture -



IMPORTANT

If you have any problems with this product (missing or damaged parts, assembly issues, etc.),

Contact us directly for fastest service

- Email Us at: customerservice@royalgarden.com
- Call our Toll-Free Customer Service Hotline at: 1-866-988-3300
Between 8:00 AM and 5:00 PM PST, Monday through Friday

****To expedite any future warranty claims please retain your Assembly Instructions with the product ID #, warranty sheet information, and original receipt for future use.**

Care and Maintenance

Frames

Considered the most durable material for outdoor furniture, metal can last a lifetime if you take care of it properly. Most metal outdoor furniture is finished with paint, varnish, or powder coating to prevent rust. While aluminum doesn't rust—it can oxidize (causes pitting & dulls the finish). So maintaining your furniture will extend its life & make it easier to clean.

- Wash all frames with a solution of mild soap (like dish soap) and water.
- Rinse with clean water and dry with a soft absorbent cloth towel to remove buildup of dirt particles.
- DO NOT clean with abrasive materials or solvents to avoid scratching or damaging your set.
- Frames can be treated with a liquid wax for maximum protection against UV rays and/or salty, damp air.
- Store furniture in an upright position to prevent water building up in frames, as this will cause corrosion and freeze damage in cold climates.
- Consider covering your furniture when not in use for long periods of time (and during bouts of inclement weather).

Outdoor Grade Fabrics

Our seat cushions and pillows are constructed of stain resistant olefin fabric which wicks away moisture and dries quickly, resists fading, mildew, chemicals and insects.

- If your seat cushions have zippers so you are able to remove & machine wash cushion covers (on cold gentle cycle).
- Best to air dry them outdoors instead of tumble drying on low in dryers (to prevent shrinking).
- If your set includes cushions, slings, and/or an umbrella that is not removable they may be cleaned by hand with a solution of mild soap (like dish soap) and water, then rinse with clean water.
- Slings may be washed in the dishwasher or in the washer, Lay in the sun
- After cleaning cushion fill, tip on its side and allow to drip dry.
- DO NOT use bleach or solvents to clean any product! This will void the warranty.
- To extend the life of your cushions store during inclement weather & when not in use.

All Weather Wicker

Our wicker is designed for all weather is constructed from resin material meant for outdoor use and is manufactured to be quite hardy - making it a user friendly choice with minimal maintenance.

- Wash all wicker with a solution of mild soap (like dish soap) and water.
- Rinse with clean water and dry with a soft absorbent cloth towel to remove buildup of dirt particles.
- DO NOT clean with abrasive materials or solvents to avoid scratching or damaging your set.
- Cover or store your set when not in use. When weather is too cold, wicker can become stiff - or - a bit more elastic when it is very hot.

- *About* Your New Outdoor Furniture -

Our Warranty Program

For a period of one (1) year after date of purchase, the Manufacturer will either repair or replace defective components in accordance with this Limited Warranty. This warranty is between the Manufacturer and the original purchaser and is valid only when accompanied by the original purchaser's sales receipt showing original date of purchase and location of purchase. Replacements under this warranty revert back to the date of original purchase for future warranty.

The Manufacturer or its authorized dealer can accept or reject warranty claims based on its findings. This warranty applies in normal residential use only and is not intended for commercial use. The Manufacturer can make substitutions as required of materials, components, and sub-components of comparable value and utility. This warranty is limited to product repair or replacement (to be determined solely by the Manufacturer). Warranty return is limited to only the single affected component.

Warranty Period is for:

- Three (3) years for aluminum frames
- One (1) year for steel frames
- One (1) year for the structural integrity of wicker
- One (1) year for cushions, fabrics, table tops

This limited warranty covers only manufacturing defects and does not cover normal wear and tear, damage due to acts of nature (such as, but not limited to freezing or high winds), abuse or misuse, including chemical damage from suntan oil or other chemicals, exposure to extreme heat or cold, abrasion or excessive weight. This product is intended to be used in standard installations only. This warranty is void if the product is not used for its intended purpose. The Manufacturer disclaims liability for any aspect of installation and any inconvenience caused by a defective part of a component.

Certain items are not covered by this warranty

These include, but are not limited to the following:

1. Components subjected to abuse, including abuse intended to simulate failure.
2. Damages caused by retailer, shipper or installation crew (such as scratches, dents, tears, chips, etc.).
3. Any part which merely exhibits normal wear yet functions essentially as new, including chips, scratches or stretching of materials and stitching.
4. Tears, punctures, scratches or any damage caused by improper installation or use.
5. Damage to frames/welds resulting from improper assembly or exposure to water and/or sub-freezing temperatures is not covered. General frame rusting is not covered for steel frames.
6. Fading and/or discoloration of fabrics/cushions/straps/wicker resulting from exposure to the elements, chemicals, oils, fluids or any other cause are not covered.
7. Umbrella bases are not covered under any circumstances.
8. Items sold "as is" or floor models.
9. Acts of nature such as freezing, wind damage, fires, rain, and etc.

To make a claim:

1. Contact our Customer Service Team:
 - Email Us at: customerservice@royalgarden.com
 - Call our toll-free number at 1-866-988-3300
2. Please have available a copy of the original sales receipt along with a brief description of the problem.
3. Please also provide your email address and daytime telephone or cell phone number.

All items may be charged actual freight costs plus \$15 for handling. Repairs or replacement will be made at the Manufacturer's option. Sales and use taxes, plus shipping and handling charges are the responsibility of the consumer.

THIS IS THE ENTIRE EXCLUSIVE EXPRESS LIMITED LIABILITY. THE MANUFACTURER NEITHER MAKES NOR IS RESPONSIBLE FOR ANY OTHER WARRANTIES, EITHER EXPRESS OR IMPLIED, INCLUDING THOSE OF RETAILING DEALERS. THIS EXCLUSIVE REMEDY IS LIMITED TO RECEIPT OF A CREDIT IN CONNECTION WITH THE REPAIR OR REPLACEMENT OF ANY PRODUCT OR COMPONENT DEEMED TO BE DEFECTIVE UNDER THE TERMS AND CONDITIONS AS STATED IN THIS WARRANTY. NEITHER THE PRODUCT MANUFACTURER NOR ITS AGENTS SHALL BE LIABLE IN ANY CASE FOR INCIDENTAL, INDIRECT, SPECIAL OR CONSEQUENTIAL DAMAGES RESULTING FROM THE USE OF THIS PRODUCT OR ARISING OUT OF ANY BREACH OF THIS WARRANTY OR NEGLIGENCE EVEN IF IT HAS BEEN ADVISED OF THE POSSIBILITY OF SUCH DAMAGES. EXCEPT AS OTHERWISE MAY BE REQUIRED BY LAW, THERE ARE NO OTHER EXPRESS OR IMPLIED WARRANTIES OTHER THAN THE WARRANTY DESCRIBED HEREIN, AND ALL OTHER WARRANTIES, INCLUDING ANY IMPLIED WARRANTY OF MERCHANTABILITY OR FITNESS FOR A PARTICULAR PURPOSE ARE EXPRESSLY DISCLAIMED.