



# OPERATOR'S MANUAL

## MANUEL D'UTILISATION

## MANUAL DEL OPERADOR

# 18 VOLT STRING TRIMMER/EDGER

## 18 V TAILLE-BORDURES À LIGNE/COUPE-BORDURES

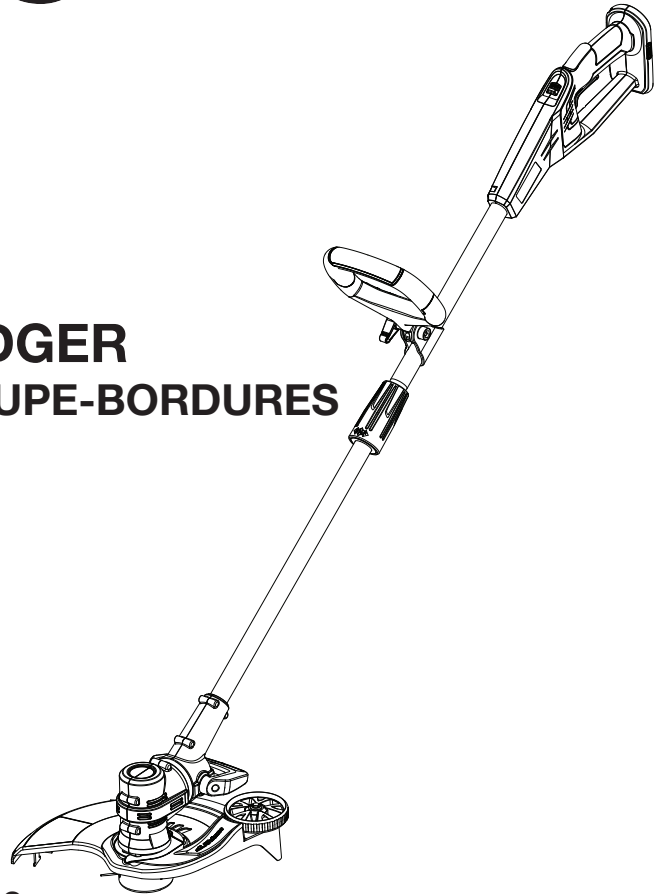
## 18 V RECORTADORA DE HILO/ RECORTADORA DE BORDES

### P2008

ACCEPTS ALL ONE+ BATTERY PACKS  
BATTERIES AND CHARGERS SOLD SEPARATELY

COMPATIBLE AVEC TOUS LE BLOC-PILES ONE+  
PILE ET CHARGEUR VENDUS SÉPARÉMENT

ACEPTA TODOS LOS PAQUETES DE BATERÍAS ONE+  
LAS BATERÍAS Y EL CARGADOR SE VENDEN POR SEPARADO



Your trimmer/edger has been engineered and manufactured to our high standard for dependability, ease of operation, and operator safety. When properly cared for, it will give you years of rugged, trouble-free performance.

**WARNING:** To reduce the risk of injury, the user must read and understand the operator's manual before using this product.

Thank you for your purchase.

## SAVE THIS MANUAL FOR FUTURE REFERENCE

Le taille-bordures à ligne/coupe-bordures a été conçue et fabriquée conformément à nos strictes normes de fiabilité, simplicité d'emploi et sécurité d'utilisation. Correctement entretenue, elle vous donnera des années de fonctionnement robuste et sans problème.

**AVERTISSEMENT :** Pour réduire les risques de blessures, l'utilisateur doit lire et veiller à bien comprendre le manuel d'utilisation avant d'employer ce produit.

Merci de votre achat.

Su recortadoras de hilo/recortadora de bordes ha sido diseñada y fabricada de conformidad con las estrictas normas para brindar fiabilidad, facilidad de uso y seguridad para el operador. Con el debido cuidado, le brindará muchos años de sólido y eficiente funcionamiento.

**ADVERTENCIA:** Para reducir el riesgo de lesiones, el usuario debe leer y comprender el manual del operador antes de usar este producto.

Le agradecemos su compra.

CONSERVER CE MANUEL POUR  
FUTURE RÉFÉRENCE

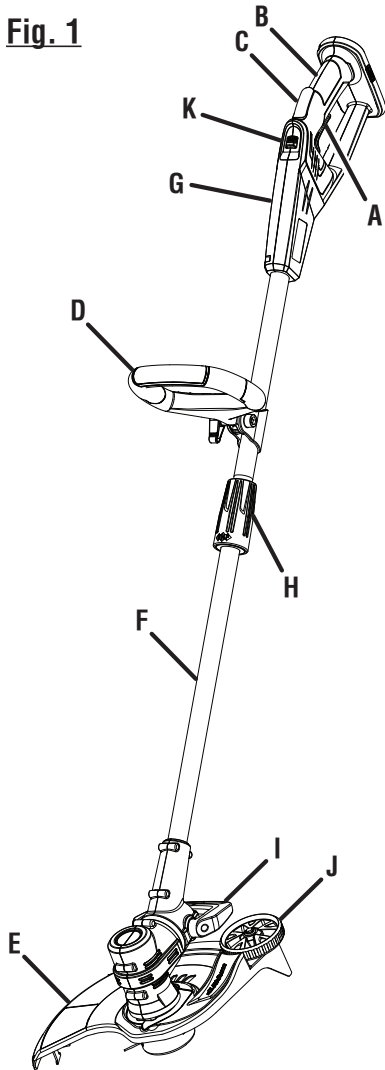
GUARDE ESTE MANUAL PARA  
FUTURAS CONSULTAS

See this fold-out section for all the figures referenced in the operator's manual.

Voir que cette section d'encart pour toutes les figures a adressé dans le manuel d'utilisation.

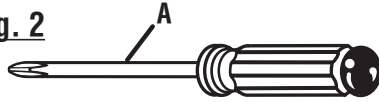
Vea esta sección de la página desplegable para todas las figuras mencionó en el manual del operador.

**Fig. 1**



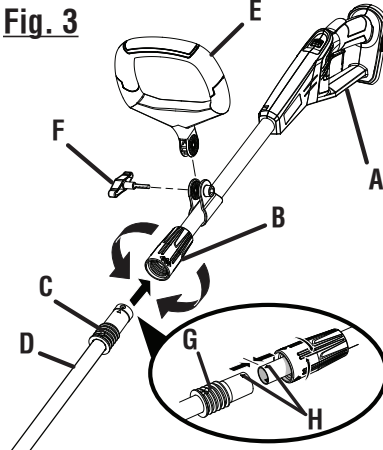
- A - Switch trigger (gâchette, gatillo del interruptor)
- B - Handle overmold (surmoulage de poignée, mangos sobremoldeado)
- C - Lock-out button (bouton de verrouillage, botón de seguro de seguro)
- D - Adjustable front handle (poignée avant réglable, mango delantero ajustable)
- E - Grass deflector (déflecteur d'herbe, deflector de hierba)
- F - Trimmer shaft (arbre du taille-bordures, eje de la recortadora)
- G - Power head (bloc moteur, cabezal motor)
- H - Coupler (coupleur, acoplador)
- I - Foot pedal (pédale de pied, pedal de pie)
- J - Edger wheel (roue de coupe-bordures, rueda de recortadora de bordes)
- K - Speed switch (interrupteur de vitesse, interruptor de velocidad)

**Fig. 2**



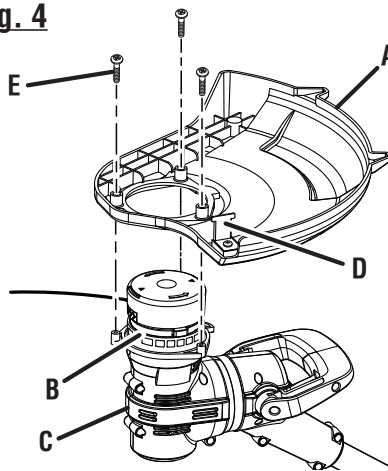
- A - Phillips screwdriver (tournevis phillips, destornillador phillips)

**Fig. 3**



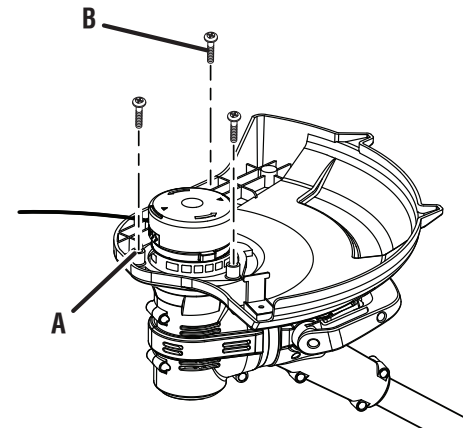
- A - Power head (bloc moteur, cabezal motor)
- B - Coupler (coupleur, acoplador)
- C - Attachment threaded base and plug (base fileté et bouchon, base roscada y tapón)
- D - Trimmer shaft (arbre du taille-bordures, eje de la recortadora)
- E - Front handle (poignée avant, mango delantero)
- F - Wing bolt (boulon à oreilles, perno de mariposa)
- G - Base (base, base)
- H - Arrow (flèche, flecha)

**Fig. 4**



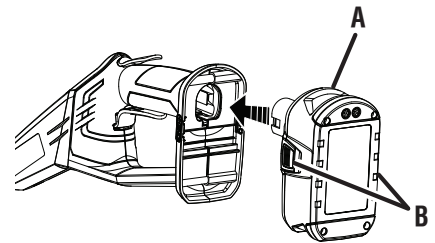
- A - Grass deflector (déflecteur d'herbe, deflector de hierba)
- B - String head (tête de ligne, cabezal del línea)
- C - Motor housing (boîtier du moteur, alojamiento del motor)
- D - Line cut-off blade (lame de sectionnement de ligne, cuchilla de corte del hilo)
- E - Screws (vis, tornillos)

**Fig. 5**



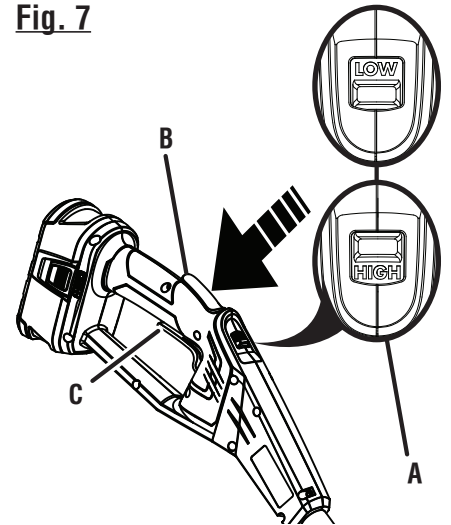
- A - Screw holes (orifices de las vis, agujeros del tornillo)
- B - Screws (vis, tornillos)

**Fig. 6**



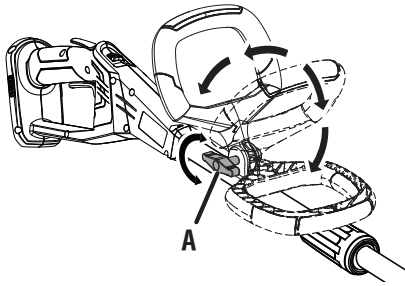
- A - Battery pack (bloc-piles, paquete de baterías)
- B - Latch (loquet, pestillo)

**Fig. 7**



- A - Speed switch (interrupteur de vitesse, interruptor de velocidad)
- B - Lock-out button (bouton de verrouillage, botón de seguro de seguro)
- C - Switch trigger (gâchette, gatillo del interruptor)

**Fig. 8**



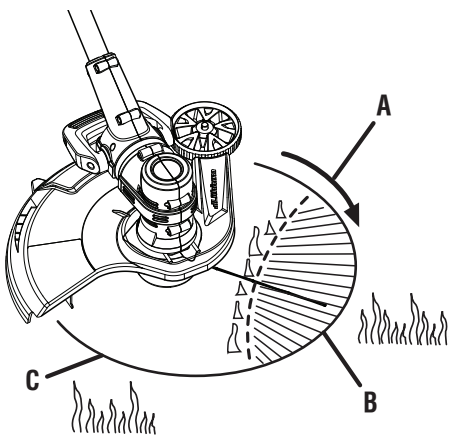
A - Knob (bouton, perilla)

**Fig. 9**

**PROPER TRIMMER OPERATING POSITION  
TAILLE-BORDURE POSITION DE TRAVAIL  
POSICIÓN CORRECTA PARA EL MANEJO  
PARA RECORTAR**

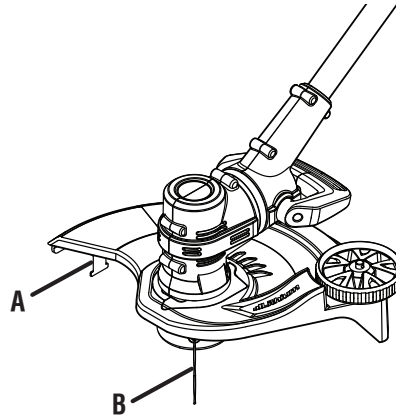


**Fig. 10**



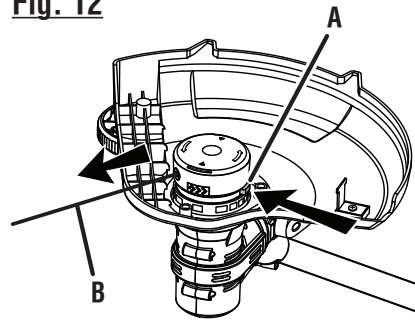
A - Direction of rotation (sens de rotation, sentido de la rotación)  
B - Best cutting area (d'efficacité, área de corte óptima)  
C - Dangerous cutting area (zone de coup dangereuse, área de corte peligrosa)

**Fig. 11**



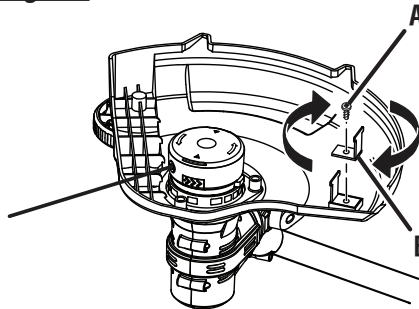
A - Line cut-off blade (lame coupe-ligne, cuchilla de corte)  
B - Line (ligne, línea)

**Fig. 12**



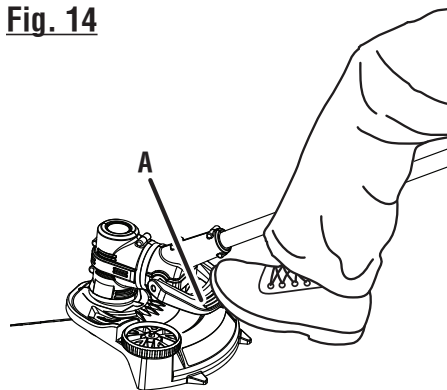
A - Black button (bouton noir, botón negro)  
B - Line (ligne, línea)

**Fig. 13**



A - Screw (vis, tornillo)  
B - Line cut-off blade (lame coupe-ligne, cuchilla de corte)

**Fig. 14**



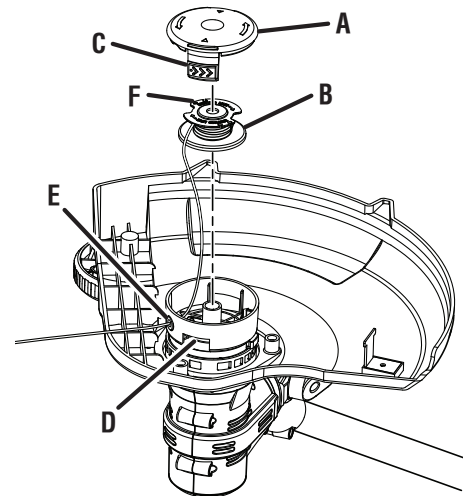
A - Foot pedal (pédale de pied, pedal de pie)

**Fig. 15**

**PROPER EDGING OPERATING POSITION  
POSITION D'UTILISATION CORRECTE  
POUR COUPE-BORDURES  
POSICIÓN CORRECTA PARA EL MANEJO  
DE LA CORTAR BORDES**



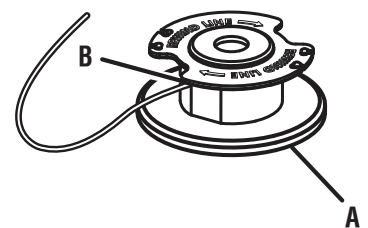
**Fig. 16**



A - Spool retainer (retenue de bobine, retén del carrete)  
B - Spool (bobine, carrete)  
C - Tabs (languettes, pestañas)  
D - Slot (fente, ranura)  
E - Eyelet (trou, agujero)  
F - Slot (fente, ranura)

**Fig. 17**

**WIND CLOCKWISE  
ENROULER DANS LE SENS HORAIRE  
ENROLLE HACIA LA DERECHA**



A - Spool (bobine, carrete)  
B - Hole (trou, agujero)

# TABLE OF CONTENTS

## TABLE DES MATIÈRES / ÍNDICE DE CONTENIDO

■ Introduction .....	2
Introduction / Introducción	
■ Important Safety Instructions .....	3-4
Instructions importantes concernant la securite / Instrucciones de seguridad importantes	
■ Symbols.....	5
Symboles / Símbolos	
■ Features.....	6
Caractéristiques / Características	
■ Assembly .....	6-7
Assemblage / Armado	
■ Operation.....	8-9
Utilisation / Funcionamiento	
■ Maintenance .....	10-11
Entretien / Mantenimiento	
■ Troubleshooting .....	11
Dépannage / Corrección de problemas	
■ Warranty .....	12
Garantie / Garantía	
■ Parts Ordering and Service .....	Back Page
Commande de pièces et réparation / Pedidos de piezas y servicio .....	Page arrière / Pág. posterior

## INTRODUCTION

### INTRODUCTION / INTRODUCCIÓN

This product has many features for making its use more pleasant and enjoyable. Safety, performance, and dependability have been given top priority in the design of this product making it easy to maintain and operate.

\* \* \*

Ce produit offre de nombreuses fonctions destinées à rendre son utilisation plus plaisante et satisfaisante. Lors de la conception de ce produit, l'accent a été mis sur la sécurité, les performances et la fiabilité, afin d'en faire un outil facile à utiliser et à entretenir.

\* \* \*

Este producto ofrece numerosas características para hacer más agradable y placentero su uso. En el diseño de este producto se ha conferido prioridad a la seguridad, el desempeño y la fiabilidad, por lo cual se facilita su manejo y mantenimiento.

# IMPORTANT SAFETY INSTRUCTIONS



## WARNING!

When using electric gardening appliances, basic safety precautions should always be followed to reduce the risk of fire, electric shock and personal injury.

## READ ALL INSTRUCTIONS




- For safe operation, read and understand all instructions before using this product. Follow all safety instructions. Failure to follow all safety instructions listed below, can result in serious personal injury.
- Do not allow children or untrained individuals to use this unit.
- Check the work area before each use. Remove all objects such as rocks, broken glass, nails, wire, or string which can be thrown or become entangled in the machine.
- Always wear eye protection with side shields marked to comply with ANSI Z87.1. Following this rule will reduce the risk of serious personal injury.
- Use Safety Glasses – Wear a face or dust mask if the operation is dusty. Always wear safety glasses with side shields. Everyday glasses have only impact resistant lenses. They are NOT safety glasses. Following this rule will reduce the risk of eye injury.
- Protect your lungs. Wear a face or dust mask if the operation is dusty. Following this rule will reduce the risk of serious personal injury.
- Dress Properly – Do not wear loose clothing or jewelry. They can be caught in moving parts. Use of rubber gloves and substantial footwear is recommended when working outdoors. Wear heavy, long pants, long sleeves, boots, and gloves. Do not wear short pants, sandals, or go barefoot. Do not wear jewelry of any kind.
- Secure long hair above shoulder level to prevent entanglement in moving parts.
- Keep children away - Keep all bystanders, children, and pets at least 50 ft. away.
- Stay alert - Watch what you are doing. Use common sense. Do not operate this unit when you are tired, ill, or under the influence of alcohol, drugs, or medication.
- Do not operate in poor lighting.
- Keep all parts of your body away from any moving part.
- Do not operate power tools in explosive atmospheres, such as in the presence of flammable liquids, gases, or dust. Power tools create sparks which may ignite the dust or fumes.
- Avoid body contact with grounded surfaces such as pipes, radiators, ranges, and refrigerators. There is an increased risk of electric shock if your body is grounded.
- Avoid Dangerous Environments - Don't expose appliance or string trimmer to rain or wet conditions. Water entering an appliance or string trimmer will increase the risk of electric shock.
- Use Right Appliance - Do not force tool. Use the correct tool for your application. The correct tool will do the job better and safer at the rate for which it is designed.
- Don't Force Appliance – It will do the job better and with less likelihood of a risk of injury at the rate for which it was designed.
- Do not operate the equipment while barefoot or when wearing sandals or similar lightweight footwear. Wear protective footwear that will protect your feet and improve your footing on slippery surfaces.
- Do not overreach - Keep firm footing and balance. Overreaching can result in loss of balance.
- Avoid accidental starting - Be sure switch trigger is in the locked or off position before inserting battery pack. Carrying tools with your finger on the switch trigger or inserting the battery pack into a tool with the switch on invites accidents.
- Do not use tool if switch trigger does not turn it on or off. Any tool that cannot be controlled with the switch trigger is dangerous and must be repaired.
- Disconnect battery pack - Disconnect battery pack from the appliance before servicing or changing accessories such as cutting line. Such preventive safety measures reduce the risk of starting the tool accidentally.
- Use only identical manufacturer's replacement parts and accessories. Use of any other parts may create a hazard or cause product damage.
- Maintain appliance with care - Replace string head if cracked, chipped, or damaged in any way. Be sure the string head is properly installed and securely fastened. Failure to do so can cause serious injury. Keep handles dry, clean and free from oil and grease.
- Check for damaged parts - Before further use of the tool, any part that is damaged should be carefully checked to determine that it will operate properly and perform its intended function. Check for alignment of moving parts, binding of moving parts, breakage of parts, mounting, and any other conditions that may affect its operation. A guard or other part that is damaged should be properly repaired or replaced by an authorized service dealer.
- Make sure all guards, straps, deflectors and handles are properly and securely attached.

# IMPORTANT SAFETY INSTRUCTIONS










- Use only the manufacturer's replacement line in the cutting head. Do not use any other cutting attachment, for example, metal wire, rope, or the like. To install any other brand of cutting head to this string trimmer can result in serious personal injury.
- Never operate unit without the grass deflector in place and in good condition.
- Maintain a firm grip on both handles while trimming. Keep string head below waist level. Never cut with the string head located over 30 in. or more above the ground.
- Store idle appliances indoors - When not in use, string trimmer should be stored indoors in a dry, locked place out of the reach of children.
- Never use blades, flailing devices, wire or rope. Unit is designed for line trimmer use only. Use of any other accessories or attachments will increase the risk of injury.
- Inspect area to be cut. Remove objects (rocks, broken glass, nails, wire, string, etc.) which can be thrown or become entangled in cutting head.
- Keep the air vents clean and free of debris to avoid overheating the motor. Clean after each use.
- Stop the unit and disconnect the power source when not in use. Carry the unit with the motor stopped.
- Store out of the reach of children.
- Do not hang unit so that the switch trigger is depressed.
- Battery tools do not have to be plugged into an electrical outlet; therefore, they are always in operating condition. Be aware of possible hazards when not using your battery tool or when changing accessories. Always engage the lock-out lever before placing the trimmer on the wall-mounted charger. Following this rule will reduce the risk of electric shock, fire, or serious personal injury.
- Under abusive conditions, liquid may be ejected from the battery; avoid contact. If contact accidentally occurs, flush with water. If liquid contacts eyes, additionally seek medical help. Liquid ejected from the battery may cause irritation or burns.
- Do not use a battery pack or appliance that is damaged or modified. Damaged or modified batteries may exhibit unpredictable behavior resulting in fire, explosion or risk of injury.
- Do not expose a battery pack or appliance to fire or excessive temperature. Exposure to fire or temperature above 265°F may cause explosion.
- Do not charge battery tool in rain, or damp or wet location. Following this rule will reduce the risk of electric shock.
- Do not use battery-operated appliance in rain.
- Remove or disconnect battery when not charging, and before servicing, cleaning, removing material from the gardening appliance, or storing.
- Use battery only with charger listed. For use with 18V nickel-cadmium and lithium-ion battery packs. See Tool/Appliance/Battery Pack/Charger Correlation Supplement 987000-432.
- Do not dispose of the batteries in a fire. The cell may explode. Check with local codes for possible special disposal instructions.
- Do not open or mutilate the batteries. Released electrolyte is corrosive and may cause damage to the eyes or skin. It may be toxic if swallowed.
- Do not place battery tools or their batteries near fire or heat. This will reduce the risk of explosion and possibly injury.
- Batteries can explode in the presence of a source of ignition, such as a pilot light. To reduce the risk of serious personal injury, never use any cordless product in the presence of open flame. An exploded battery can propel debris and chemicals. If exposed, flush with water immediately.
- Do not crush, drop or damage battery pack. Do not use a battery pack or charger that has been dropped or received a sharp blow. A damaged battery is subject to explosion. Properly dispose of a dropped or damaged battery immediately.
- For best results, your battery tool should be charged in a location where the temperature is more than 50°F but less than 100°F. To reduce the risk of serious personal injury, do not store outside or in vehicles.
- Under extreme usage or temperature conditions, battery leakage may occur. If liquid comes in contact with your skin, wash immediately with soap and water. If liquid gets into your eyes, flush them with clean water for at least 10 minutes, then seek immediate medical attention. Following this rule will reduce the risk of serious personal injury.
- Save these instructions. Refer to them frequently and use them to instruct others who may use this power tool. If you loan someone this power tool, loan them these instructions also.

# SYMBOLS

The following signal words and meanings are intended to explain the levels of risk associated with this product.

SYMBOL	SIGNAL	MEANING
	<b>DANGER:</b>	Indicates an imminently hazardous situation, which, if not avoided, will result in death or serious injury.
	<b>WARNING:</b>	Indicates a potentially hazardous situation, which, if not avoided, could result in death or serious injury.
	<b>CAUTION:</b>	Indicates a potentially hazardous situation, which, if not avoided, may result in minor or moderate injury.
	<b>NOTICE:</b>	(Without Safety Alert Symbol) Indicates important information not related to an injury hazard, such as a situation that may result in property damage.

Some of the following symbols may be used on this product. Please study them and learn their meaning. Proper interpretation of these symbols will allow you to operate the product better and safer.

SYMBOL	NAME	DESIGNATION/EXPLANATION
	Safety Alert	Indicates a potential personal injury hazard.
	Read Operator's Manual	To reduce the risk of injury, user must read and understand operator's manual before using this product.
	Eye Protection	Always wear eye protection with side shields marked to comply with ANSI Z87.1.
	Wet Conditions Alert	Do not expose to rain or use in damp locations.
	Keep Bystanders Away	Keep all bystanders at least 50 ft. away.
	Ricochet	Thrown objects can ricochet and result in personal injury or property damage.
	No Blade	Do not install or use any type of blade on a product displaying this symbol.
	Recycle Symbols	This product uses lithium-ion (Li-ion) and nickel-cadmium (Ni-Cd) batteries. Local, state, or federal laws may prohibit disposal of batteries in ordinary trash. Consult your local waste authority for information regarding available recycling and/or disposal options.
	Direct Current	Type or a characteristic of current
$n_0$	No Load Speed	Rotational speed, at no load
.../min	Per Minute	Revolutions, strokes, surface speed, orbits etc., per minute
V	Volts	Voltage
Hz	Hertz	Frequency (cycles per second)
min	Minutes	Time

# FEATURES

## PRODUCT SPECIFICATIONS

Motor..... 18 Volt DC  
Cutting Swath..... 11 in. / 13 in.

Line Size..... 0.065 in. diameter round or twisted or  
0.080 in. diameter twisted

## KNOW YOUR STRING TRIMMER/EDGER

See Figure 1.

The safe use of this product requires an understanding of the information on the tool and in this operator's manual as well as a knowledge of the project you are attempting. Before use of this product, familiarize yourself with all operating features and safety rules.

## ADJUSTABLE CUTTING DIAMETER

The cutting diameter is adjustable from 11 in. and 13 in. by rotating the line cutoff blade.

## ADJUSTABLE FRONT HANDLE

The front handle assembly can be adjusted for ease of operation and to help prevent loss of control.

## EDGER WHEEL

The edger wheel allows for more stable cutting performance while edging.

## GRASS DEFLECTOR

The trimmer includes a grass deflector that helps protect from flying debris.

## HANDLE OVERMOLD

Handle overmold provides added user comfort.

## LOCK-OUT BUTTON

The lock-out button prevents accidental starting.

## ROTATING TRIMMER HEAD

The rotating trimmer head can be locked in two different positions for ease of use when edging and trimming.

## SPEED SWITCH

This tool has a speed selector that allows the operator to choose between and HIGH and LOW speeds. Using low speed during operation can help extend battery run time, while using high speed will improve power and performance.

## VARIABLE SPEED SWITCH TRIGGER

This tool has a variable speed switch that delivers higher speed with increased trigger pressure. Speed is controlled by the amount of switch trigger depression.

# ASSEMBLY

## UNPACKING

This product requires assembly.

- Carefully remove the product and any accessories from the box. Make sure that all items listed in the packing list are included.

### **WARNING:**

Do not use this product if any parts on the Packing List are already assembled to your product when you unpack it. Parts on this list are not assembled to the product by the manufacturer and require customer installation. Use of a product that may have been improperly assembled could result in serious personal injury.

- Inspect the product carefully to make sure no breakage or damage occurred during shipping.
- Do not discard the packing material until you have carefully inspected and satisfactorily operated the product.

- If any parts are damaged or missing, please call 1-800-860-4050 for assistance.

## PACKING LIST

Power Head  
Adjustable Front Handle  
String Trimmer/Edger Attachment  
Grass Deflector  
Operator's Manual

### **WARNING:**

If any parts are damaged or missing do not operate this product until the parts are replaced. Use of this product with damaged or missing parts could result in serious personal injury.



# ASSEMBLY

## **WARNING:**

Do not attempt to modify this product or create accessories not recommended for use with this product. Any such alteration or modification is misuse and could result in a hazardous condition leading to possible serious personal injury.

## **WARNING:**

To prevent accidental starting that could cause serious personal injury, always remove the battery pack from the product when assembling parts.

## **TOOLS NEEDED**

See Figure 2.

The following tool (not included or drawn to scale) is needed for assembly:

- Phillips screwdriver

## **ATTACHING THE FRONT HANDLE**

See Figure 3.

- Loosen and remove the wing bolt from the handle.
- Install the handle on the rear handle pole in the area indicated by the illustration.
- Adjust handle up or down, if necessary, to desired operating position.
- Reinstall the wing bolt. Tighten wing bolt to secure.

## **CONNECTING THE POWER HEAD TO THE ATTACHMENT**

See Figure 3.

## **WARNING:**

Never install, remove, or adjust any attachment while power head is running or with the battery pack installed. Failure to stop the motor or remove the battery pack can result in serious personal injury.

The attachment connects to the power head by means of a coupler device.

- Remove the battery pack if installed.
- Align the arrows on the string trimmer/edger attachment and the power head. Insert the plug on the string trimmer/edger attachment into the opening on the power head coupler. Make sure the plug is fully seated.
- Slide the threaded coupler on the power head onto the threaded base on the attachment and turn the coupler clockwise. Tighten securely.

**NOTE:** Once assembled correctly, the string trimmer/edger attachment and power head should not separate when pulled. Repeat above steps if pieces can be separated.

## **WARNING:**

Failure to secure the string trimmer/edger attachment and power head as instructed above could result in serious personal injury.

## **REMOVING THE ATTACHMENT FROM THE POWER HEAD**

- Remove the battery pack.
- Turn the coupler counterclockwise to unlock. Then remove the trimmer shaft from the power head.

## **ATTACHING GRASS DEFLECTOR**

See Figures 4 - 5.

## **WARNING:**

The line cut-off blade on the grass deflector is sharp. Avoid contact with the blade. Failure to avoid contact can result in serious personal injury.

- Remove the battery pack.
- Remove the plastic hardware bag from the grass deflector.
- Fit the grass deflector into the slots on trimmer head.
- Line up the screw holes in the grass deflector with the holes in the motor housing.
- Install supplied screws and tighten by turning clockwise with a phillips screwdriver.

# OPERATION

## **WARNING:**

Do not allow familiarity with products to make you careless. Remember that a careless fraction of a second is sufficient to inflict serious injury.

## **WARNING:**

Always wear eye protection with side shields marked to comply with ANSI Z87.1. Failure to do so could result in objects being thrown into your eyes, resulting in possible serious injury.

## **WARNING:**

Never use blades, flailing devices, wire, or rope on this product. Do not use any attachments or accessories not recommended by the manufacturer of this product. The use of attachments or accessories not recommended can result in serious personal injury.

## **NOTICE:**

Before each use, inspect the entire product for damaged, missing, or loose parts such as screws, nuts, bolts, caps, etc. Tighten securely all fasteners and caps and do not operate this product until all missing or damaged parts are replaced. Please call 1-800-860-4050 or contact an authorized service center for assistance.

This product will accept Ryobi One+ 18 V lithium-ion battery packs and Ryobi One+ 18 V nickel-cadmium battery packs.

For complete charging instructions, refer to the Operator's Manuals for your Ryobi One+ battery pack and charger models.

## **BATTERY PROTECTION FEATURES**

Ryobi lithium-ion batteries are designed with features that protect the lithium-ion cells and maximize battery life.

If the tool stops during use, release the trigger to reset and resume operation. If the tool still does not work, the battery needs to be recharged.

## **WARNING:**

Always remove battery pack from your tool when you are assembling parts, making adjustments, cleaning, or when not in use. Removing battery pack will prevent accidental starting that could cause serious personal injury.

## **TO INSTALL BATTERY PACK**

See Figure 6.

- Insert the battery pack into the product as shown.
- Make sure the latches on each side of the battery pack snap into place and the battery pack is secured before beginning operation.

## **TO REMOVE BATTERY PACK**

See Figure 6.

- Depress the latches on each side of the battery pack.
- Remove battery pack from the trimmer.

## **WARNING:**

To avoid serious personal injury, always remove the battery pack and keep hands clear of the lock-out button when carrying or transporting the tool.

## **STARTING/STOPPING THE STRING TRIMMER**

See Figure 7.

### **To start:**

- Select the desired operating speed (HIGH or LOW).
- Press and hold the lock-out button.
- Depress the switch trigger.

### **To stop:**

- Release the switch trigger to stop the string trimmer.
- Upon release of the switch trigger, the lock-out button will automatically reset to the locked position.

## **ADJUSTABLE FRONT HANDLE**

See Figure 8.

The angle of the front handle can be adjusted 180°.

- Remove the battery pack.
- Set the trimmer on a flat surface and turn the knob counterclockwise to loosen the handle.
- For trimming, adjust the handle upward.
- For edging, adjust the handle downward.
- Turn the knob clockwise until the handle is securely tightened before reinstalling the battery pack.

## **OPERATING THE TRIMMER**

See Figure 9.

### **Follow these tips when using the string trimmer:**

- Hold the trimmer with your right hand on the rear handle and your left hand on the front handle.
- Keep a firm grip with both hands while in operation.
- Trimmer should be held at a comfortable position with the rear handle about hip height.

# OPERATION

- Cut tall grass from the top down. This will prevent grass from wrapping around the boom housing and string head which may cause damage from overheating.

## If grass becomes wrapped around the string head:

- Remove the battery pack.
- Remove the grass.

### **WARNING:**

Always hold the string trimmer away from the body keeping clearance between the body and the string trimmer. Any contact with the string trimmer cutting head while operating can result in serious personal injury.

## CUTTING TIPS

See Figures 10 - 11.

- Keep the trimmer tilted toward the area being cut; this is the best cutting area.
- The string trimmer cuts when passing the unit from right to left. This will avoid throwing debris at the operator. Avoid cutting in the dangerous area shown in figure 10.
- Use the tip of the line to do the cutting; do not force string head into uncut grass.
- Wire and picket fences cause extra line wear, even breakage. Stone and brick walls, curbs, and wood may wear line rapidly.
- Avoid trees and shrubs. Tree bark, wood moldings, siding, and fence posts can easily be damaged by the line.

## ADVANCING LINE

**NOTE:** The trimmer is equipped with an auto-feed head. Bumping the head to try to advance the line will damage the trimmer and void the warranty.

- With the trimmer running, release the switch trigger.
- Wait two seconds, and press the switch trigger.

**NOTE:** The line will extend approximately 1/4 in. with each stop and start of the switch trigger until the line reaches the length of the grass deflector cut-off blade.

- Resume trimming.

## ADVANCING THE LINE MANUALLY

See Figure 12.

- Remove the battery pack.
- Push the black button located on the string head while pulling on line to manually advance the line.

## LINE CUT-OFF BLADE

See Figure 13.

This trimmer is equipped with a line cut-off blade on the grass deflector. For best cutting, advance line until it is trimmed to length by the line cut-off blade. Advance line whenever you hear the engine running faster than normal, or when trimming efficiency diminishes. This will maintain best performance and keep line long enough to advance properly.

This trimmer is currently set at the 11 in. cutting swath. To adjust to a cutting swath of 13 in.:

- Remove the battery pack.
- Loosen the blade screw then rotate the line cut-off blade 180°.
- Tighten the blade screw.

## EDGING

See Figures 14 - 15.

- Remove the battery pack.
- Step down on the foot pedal.
- Rotate the trimmer head counterclockwise placing the tool in the edger position.

### **WARNING:**

Always hold the string trimmer away from the body keeping clearance between the body and the string trimmer. Any contact with the string trimmer cutting head while operating can result in serious personal injury.

### **WARNING:**

Never stand directly in the path of the cutting line while edging. Always stand to the left of the grass deflector to avoid thrown debris, which could result in serious personal injury.

# MAINTENANCE

## **WARNING:**

When servicing, use only identical replacement parts. Use of any other parts can create a hazard or cause product damage.

## **WARNING:**

Always wear eye protection with side shields marked to comply with ANSI Z87.1. Failure to do so could result in objects being thrown into your eyes, resulting in possible serious injury.

## **WARNING:**

To avoid serious personal injury, always remove the battery pack from the tool when cleaning or performing any maintenance.

## **NOTICE:**

Periodically inspect the entire product for damaged, missing, or loose parts such as screws, nuts, bolts, caps, etc. Tighten securely all fasteners and caps and do not operate this product until all missing or damaged parts are replaced. Please call 1-800-860-4050 or contact an authorized service center for assistance.

## **GENERAL MAINTENANCE**

Avoid using solvents when cleaning plastic parts. Most plastics are susceptible to damage from various types of commercial solvents and may be damaged by their use. Use clean cloths to remove dirt, dust, oil, grease, etc.

## **WARNING:**

Do not at any time let brake fluids, gasoline, petroleum-based products, penetrating oils, etc., come in contact with plastic parts. Chemicals can damage, weaken or destroy plastic which can result in serious personal injury.

Only the parts shown on the parts list are intended to be repaired or replaced by the customer. All other parts should be replaced at an authorized service center.

## **SPOOL REPLACEMENT**

See Figure 16.

Use only 0.065 in. diameter round or twisted or 0.080 in. diameter twisted line. Use original manufacturer's replacement line for best performance.

- Remove the battery pack.
- Push in tabs on side of spool retainer.
- Pull spool retainer up to remove.
- Remove the old spool.
- To install the new spool, make sure the line is captured in the slot on the new spool. Make sure the end of the line is extended approximately 6 in. beyond the slot.
- Install the new spool so that the line and slot align with the eyelet in the string head. Thread the line into the eyelet.
- Pull the line extending from the string head so the line releases from the slot in the spool.
- Reinstall the spool retainer by depressing tabs into slots and pushing down until spool retainer clicks into place.

## **LINE REPLACEMENT**

See Figures 16 - 17.

- Remove the battery pack.
- Remove the spool from the string head.  
**NOTE:** Remove any old line remaining on the spool.
- Cut a piece of line approximately 9 ft. long. Use only 0.065 in. diameter round or twisted or 0.080 in. diameter twisted line.
- Insert the line into the anchor hole in the upper part of the spool. Wind the line around the upper part of the spool clockwise, as shown by the arrows on the spool. Place line in the slot on upper spool flange, leaving about 6 in. extended beyond the slot. Do not overfill. After winding the line, there should be at least 1/4 in. between the wound line and the outside edge of the spool.
- Replace the plastic retainer, spool, and the spool retainer. Refer to **Spool Replacement** earlier in this manual.

# MAINTENANCE

## STORING THE TRIMMER

- Remove the battery pack from the string trimmer before storing.
- Clean all foreign material from the trimmer.
- Store it in a place that is inaccessible to children.
- Keep away from corrosive agents such as garden chemicals and de-icing salts.

## REPLACEMENT PARTS

Replacement Spool Part Number ..... AC14RSLA  
 Replacement Spool Cap Part Number.....AC14HCA

# TROUBLESHOOTING

PROBLEM	POSSIBLE CAUSE	SOLUTION
Line will not advance when using the auto-feed head	Line is welded to itself.	Lubricate with silicone spray.
	Not enough line on spool.	Install more line. Refer to <b>Line Replacement</b> earlier in this manual.
	Line is worn too short.	Pull line while pressing button.
	Line is tangled on spool.	Remove line from spool and rewind. Refer to <b>Line Replacement</b> earlier in this manual.
Grass wraps around boom housing and string head	Cutting tall grass at ground level.	Cut tall grass from the top down to prevent wrapping.
Motor fails to start when switch trigger is depressed	Battery is not secure.	To secure the battery pack, make sure the latch on the bottom of the battery pack is snapped into place.
	Battery is not charged.	Charge the battery pack according to the instructions included with your model.
	Shaft not connected completely.	Make sure shaft trimmer is securely seated in the coupler on the power head.



## CALL US FIRST

For any questions about operating or maintaining your product, call the Ryobi™ Help Line!

Your product has been fully tested prior to shipment to ensure your complete satisfaction.

# WARRANTY

## LIMITED WARRANTY STATEMENT

Techtronic Industries North America, Inc., warrants to the original retail purchaser that this RYOBI™ brand outdoor product is free from defect in material and workmanship and agrees to repair or replace, at Techtronic Industries North America, Inc.'s, discretion, any defective product free of charge within these time periods from the date of purchase.

- Three years if the product is used for personal, family or household use;
- 90 days, if used for any other purpose, such as commercial or rental.

This warranty extends to the original retail purchaser only and commences on the date of the original retail purchase.

Any part of this product found in the reasonable judgment of Techtronic Industries North America, Inc. to be defective in material or workmanship will be repaired or replaced without charge for parts and labor by an authorized service center for RYOBI™ brand outdoor products (Authorized Ryobi Service Center).

The product, including any defective part, must be returned to an authorized Ryobi service center within the warranty period. The expense of delivering the product to the service center for warranty work and the expense of returning it back to the owner after repair or replacement will be paid by the owner. Techtronic Industries North America, Inc.'s, responsibility in respect to claims is limited to making the required repairs or replacements and no claim of breach of warranty shall be cause for cancellation or rescission of the contract of sale of any RYOBI™ brand outdoor product. Proof of purchase will be required by the dealer to substantiate any warranty claim. All warranty work must be performed by an authorized service dealer.

This warranty is limited to ninety (90) days from the date of original retail purchase for any RYOBI™ brand outdoor product that is used for rental or commercial purposes, or any other income-producing purpose.

This warranty does not cover any product that has been subject to misuse, neglect, negligence, or accident, or that has been operated in any way contrary to the operating instructions as specified in this operator's manual. This warranty does not apply to any damage to the product that is the result of improper maintenance or to any product that has been altered or modified. The warranty does not extend to repairs made necessary by normal wear or by the use of parts or accessories which are either incompatible with the RYOBI™ brand outdoor product or adversely affect its operation, performance, or durability. In addition, this warranty does not cover:

- A. Tune-ups – Spark Plugs, Carburetor, Carburetor Adjustments, Ignition, Filters
- B. Wear items – Bump Knobs, Outer Spools, Cutting Lines, Inner Reels, Starter Pulleys, Starter Ropes, Drive Belts, Tines, Felt Washers, Hitch Pins, Mulching Blades, Blower Fans, Blower and Vacuum Tubes, Vacuum Bag and Straps, Guide Bars, Saw Chains

Techtronic Industries North America, Inc., reserves the right to change or improve the design of any RYOBI™ brand outdoor product without assuming any obligation to modify any product previously manufactured.

ALL IMPLIED WARRANTIES ARE LIMITED IN DURATION TO THE STATED WARRANTY PERIOD. ACCORDINGLY, ANY SUCH IMPLIED WARRANTIES INCLUDING MERCHANTABILITY, FITNESS FOR A PARTICULAR PURPOSE, OR OTHERWISE, ARE DISCLAIMED IN THEIR ENTIRETY AFTER THE EXPIRATION OF THE APPROPRIATE THREE-YEAR OR NINETY-DAY WARRANTY PERIOD. TECHTRONIC INDUSTRIES NORTH AMERICA, INC.'S, OBLIGATION UNDER THIS WARRANTY IS STRICTLY AND EXCLUSIVELY LIMITED TO THE REPAIR OR REPLACEMENT OF DEFECTIVE PARTS AND TECHTRONIC INDUSTRIES NORTH AMERICA, INC., DOES NOT ASSUME OR AUTHORIZE ANYONE TO ASSUME FOR THEM ANY OTHER OBLIGATION. SOME STATES DO NOT ALLOW LIMITATIONS ON HOW LONG AN IMPLIED WARRANTY LASTS, SO THE ABOVE LIMITATION MAY NOT APPLY TO YOU. TECHTRONIC INDUSTRIES NORTH AMERICA, INC., ASSUMES NO RESPONSIBILITY FOR INCIDENTAL, CONSEQUENTIAL, OR OTHER DAMAGES INCLUDING, BUT NOT LIMITED TO, EXPENSE OF RETURNING THE PRODUCT TO AN AUTHORIZED RYOBI SERVICE CENTER AND EXPENSE OF DELIVERING IT BACK TO THE OWNER, MECHANIC'S TRAVEL TIME, TELEPHONE OR TELEGRAM CHARGES, RENTAL OF A LIKE PRODUCT DURING THE TIME WARRANTY SERVICE IS BEING PERFORMED, TRAVEL, LOSS OR DAMAGE TO PERSONAL PROPERTY, LOSS OF REVENUE, LOSS OF USE OF THE PRODUCT, LOSS OF TIME, OR INCONVENIENCE. SOME STATES DO NOT ALLOW THE EXCLUSION OR LIMITATION OF INCIDENTAL OR CONSEQUENTIAL DAMAGES, SO THE ABOVE LIMITATION OR EXCLUSION MAY NOT APPLY TO YOU.

This warranty gives you specific legal rights, and you may also have other rights which vary from state to state.

This warranty applies to all RYOBI™ brand outdoor products manufactured by or for Techtronic Industries North America, Inc., and sold in the United States and Canada.

To locate your nearest Authorized Ryobi Service Center, dial 1-800-860-4050.



# OPERATOR'S MANUAL

## MANUEL D'UTILISATION / MANUAL DEL OPERADOR

### 18 VOLT STRING TRIMMER/EDGER

### 18 V TAILLE-BORDURES À LIGNE/COUPE-BORDURES

### 18 V RECORTADORA DE HILO/RECORTADORA DE BORDES

## P2008

#### CALIFORNIA PROPOSITION 65

##### **⚠ WARNING:**

This product and substances that may become airborne from its use may contain chemicals, including lead, known to the State of California to cause cancer, birth defects, or other reproductive harm. **Wash hands after handling.**

#### PROPOSITION 65 DE LA CALIFORNIE

##### **⚠ AVERTISSEMENT :**

Ce produit ainsi que les substances rejetées dans l'air à la suite de son utilisation peuvent contenir des produits chimiques, notamment du plomb qui, selon l'État de la Californie, peuvent causer le cancer, des anomalies congénitales et d'autres dommages au système reproducteur. **Bien se laver les mains après toute manipulation.**

#### CALIFORNIA - PROPUESTA DE LEY NÚM. 65

##### **⚠ ADVERTENCIA:**

Este producto y sustancias que puedan llegar a ser aerotransportadas por su uso pueden contener sustancias químicas (por ejemplo, plomo) consideradas por el estado de California como causantes de cáncer, defectos de nacimiento u otras alteraciones reproductivas. **Lávese las manos después de utilizar el aparato.**

RYOBI is a trademark of Ryobi Limited and is used pursuant to a license granted by Ryobi Limited. RYOBI est une marque de RYOBI Limited et est utilisée en vertu d'une licence accordée par Ryobi Limited. RYOBI es una marca de Ryobi Limited y se utiliza conforme a una licencia otorgada por Ryobi Limited.

#### • PARTS AND SERVICE

Prior to requesting service or purchasing replacement parts, please obtain your model and serial number from the product data plate.

• **MODEL NO.** \_\_\_\_\_ **SERIAL NO.** \_\_\_\_\_

#### • HOW TO OBTAIN REPLACEMENT PARTS:

Replacement parts can be purchased online at [www.ryobitools.com](http://www.ryobitools.com) or by calling 1-800-860-4050. Replacement parts can also be obtained at one of our Authorized Service Centers.

#### • HOW TO LOCATE AN AUTHORIZED SERVICE CENTER:

Authorized Service Centers can be located online at [www.ryobitools.com](http://www.ryobitools.com) or by calling 1-800-860-4050.

#### • HOW TO OBTAIN CUSTOMER OR TECHNICAL SUPPORT:

To obtain Customer or Technical Support please contact us at 1-800-860-4050.

• • • • •

#### • PIÈCES ET SERVICE

Avant de faire la demande de service ou l'achat de pièces de remplacement, veuillez obtenir le numéro de série du modèle à partir de la plaque de données du produit.

• **NUMÉRO DE MODÈLE** \_\_\_\_\_ **NUMÉRO DE SÉRIE** \_\_\_\_\_

#### • COMMENT OBTENIR LES PIÈCES DE REMPLACEMENT :

Les pièces de remplacement peuvent être achetées en ligne sur le site [www.ryobitools.com](http://www.ryobitools.com) ou par téléphone au 1-800-860-4050. Les pièces de remplacement peuvent être obtenues à un de nos centres de service autorisés.

#### • COMMENT TROUVER UN CENTRE DE SERVICE AUTORISÉ :

Les centres de service autorisés peuvent être localisés en ligne au [www.ryobitools.com](http://www.ryobitools.com) ou en téléphonant au 1-800-860-4050.

#### • COMMENT OBTENIR DE L'AIDE EN CONTACTANT LE SERVICE À LA CLIENTÈLE :

Pour contacter le service à la clientèle pour une question technique ou pour tout autre renseignement, veuillez nous téléphoner au 1-800-860-4050.

• • • • •

#### • PIEZAS DE REPUESTO Y SERVICIO

Antes de solicitar servicio técnico o comprar piezas de repuesto, obtenga su modelo y número de serie de la placa de datos del producto.

• **NÚMERO DE MODELO** \_\_\_\_\_ **NÚMERO DE SERIE** \_\_\_\_\_

#### • CÓMO OBTENER PIEZAS DE REPUESTO:

Las piezas de repuesto se pueden comprar en nuestro sitio en la red mundial, en la dirección [www.ryobitools.com](http://www.ryobitools.com) o llamando al 1-800-860-4050. Las piezas de repuesto también se pueden obtener en uno de nuestros Centros de Servicio Autorizados.

#### • CÓMO LOCALIZAR UN CENTRO DE SERVICIO AUTORIZADO:

Puede encontrar los Centros de Servicio Autorizados visitando nuestro sitio en la red mundial, en la dirección [www.ryobitools.com](http://www.ryobitools.com) or by calling 1-800-860-4050.

#### • CÓMO OBTENER SERVICIO O ASISTENCIA TÉCNICA AL CONSUMIDOR:

Para obtener Servicio o Asistencia Técnica al Consumidor, sírvase comunicarse con nosotros llamando al 1-800-860-4050.

## TECHTRONIC INDUSTRIES POWER EQUIPMENT

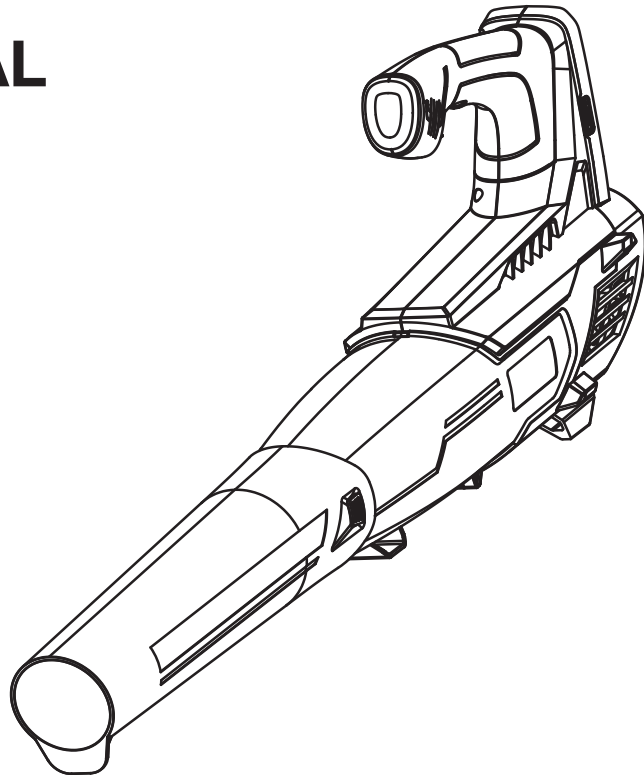
1428 Pearman Dairy Road, Anderson, SC 29625 USA  
1-800-860-4050 • [www.ryobitools.com](http://www.ryobitools.com)



**OPERATOR'S MANUAL**  
**MANUEL D'UTILISATION**  
**MANUAL DEL OPERADOR**

**18 VOLT ONE+**  
**BLOWER**  
**SOUFFLANTE DE 18 V ONE+**  
**SOPLADORA DE 18 V ONE+**

**P2108/P21081**



Your blower has been engineered and manufactured to our high standard for dependability, ease of operation, and operator safety. When properly cared for, it will give you years of rugged, trouble-free performance.

**⚠ WARNING:** To reduce the risk of injury, the user must read and understand the operator's manual before using this product.

Thank you for your purchase.

**SAVE THIS MANUAL FOR FUTURE REFERENCE**

Ce soufflante a été conçu et fabriqué conformément à nos strictes normes de fiabilité, simplicité d'emploi et sécurité d'utilisation. Correctement entretenu, cet outil vous donnera des années de fonctionnement robuste et sans problème.

**⚠ AVERTISSEMENT :**  
Pour réduire les risques de blessures, l'utilisateur doit lire et veiller à bien comprendre le manuel d'utilisation avant d'employer ce produit.

Merci de votre achat.

Su sopladora ha sido diseñado y fabricado de conformidad con nuestras estrictas normas para brindar fiabilidad, facilidad de uso y seguridad para el operador. Con el debido cuidado, le brindará muchos años de sólido funcionamiento y sin problemas.

**⚠ ADVERTENCIA:**  
Para reducir el riesgo de lesiones, el usuario debe leer y comprender el manual del operador antes de usar este producto.

Le agradecemos su compra.

**CONSERVER CE MANUEL POUR  
FUTURE RÉFÉRENCE**

**GUARDE ESTE MANUAL PARA  
FUTURAS CONSULTAS**

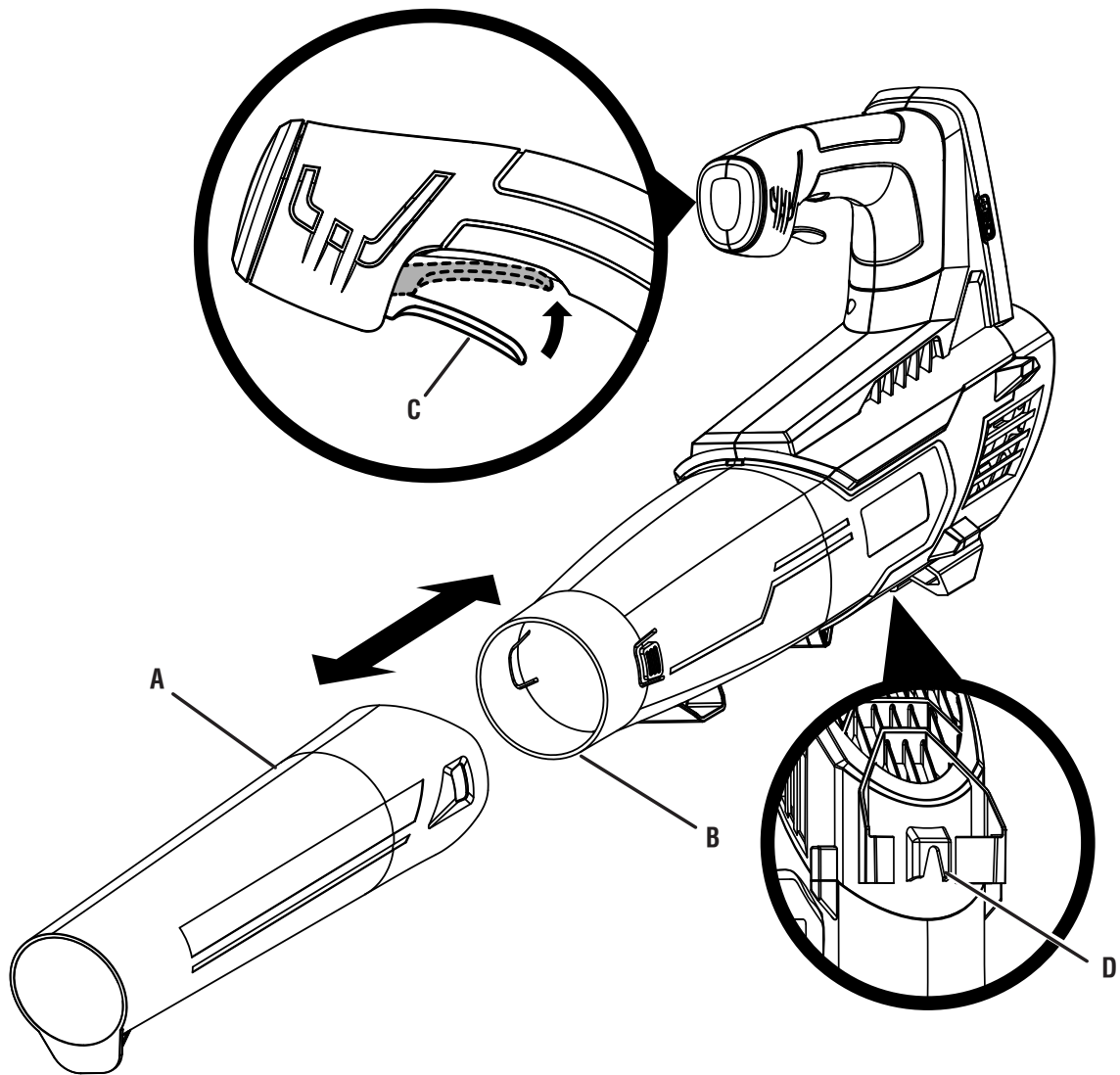


**See this fold-out section for all of the figures  
referenced in the operator's manual.**

**Consulter l'encart à volets afin d'examiner toutes les figures  
mentionnées dans le manuel d'utilisation.**

**Consulte esta sección desplegable para ver todas las figuras  
a las que se hace referencia en el manual del operador.**

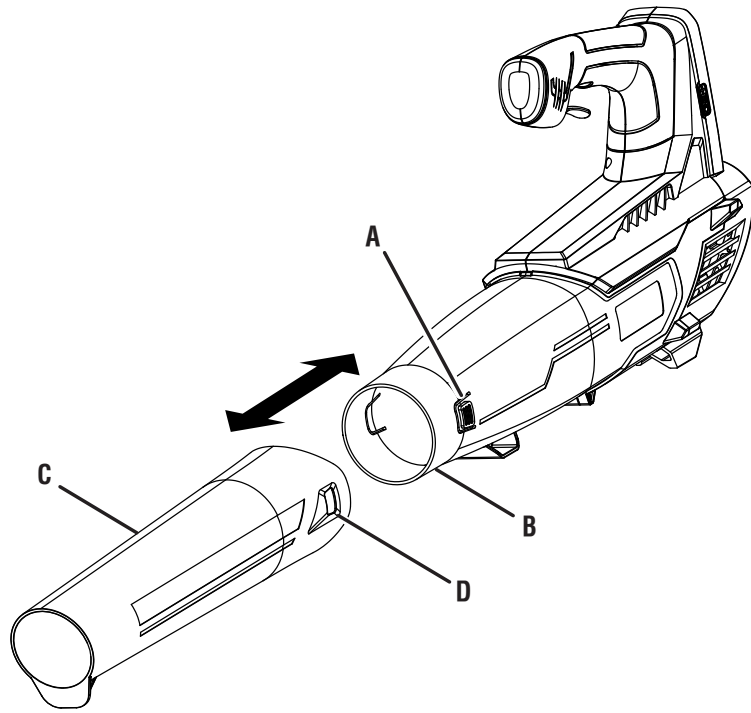
**Fig. 1**



A - Blower tube (tube de soufflante, tubo de la sopladora)  
B - Blower housing outlet (prise de boîtier de soufflante, salida del alojamiento de la sopladora)

C - Variable speed switch trigger (gâchette à variation de vitesse, gatillo del interruptor de velocidad variable)  
D - Keyhole hanger (suspension de trou clé, soporte bocallave)

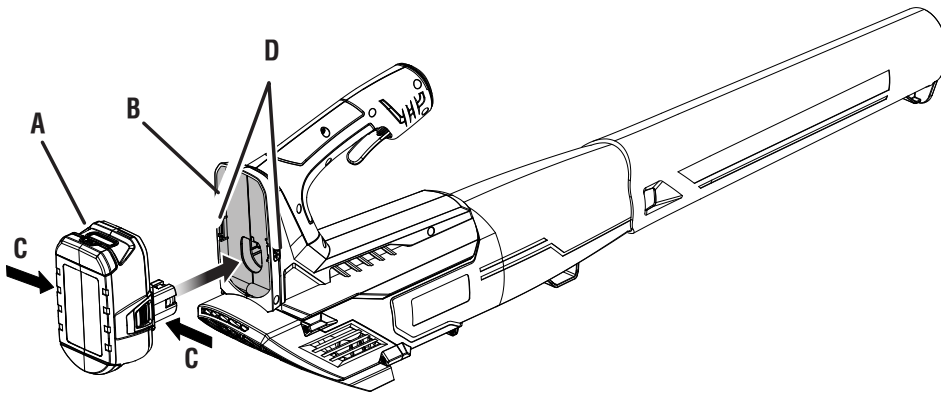
**Fig. 2**



A - Tab (languette, orejeta)  
B - Blower housing outlet (prise de boîtier de soufflante, salida del alojamiento de la sopladora)

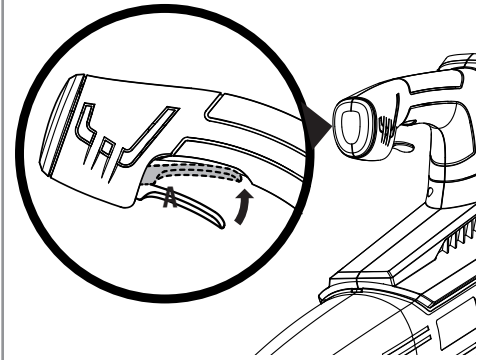
C - Blower tube (tube de soufflante, tubo de la aspiradora)  
D - Slot (fente, ranura)

**Fig. 3**



A - Battery pack (bloc-piles, paquete de baterías)  
B - Battery port (logement de batteries, receptáculo para baterías)  
C - Latch (loquet, pestillo)  
D - Raised rib (épaulements surélevés, costillas realzadas)

**Fig. 4**



A - Switch trigger (gâchette, gatillo)

**Fig. 5**

**PROPER OPERATING POSITION  
BONNE POSITION DE TRAVAIL  
POSICIÓN CORRECTA PARA EL MANEJO  
DE LA HERRAMIENTA**



# TABLE OF CONTENTS

## TABLE DES MATIÈRES / ÍNDICE DE CONTENIDO

■ Introduction.....	2
Introduction / Introducción	
■ Important Safety Instructions .....	3-4
Règles de sécurité importantes / Instrucciones importantes de seguridad	
■ Symbols .....	5-6
Symboles / Símbolos	
■ Features .....	6
Caractéristiques / Características	
■ Assembly .....	7
Assemblage / Armado	
■ Operation .....	8-9
Utilisation / Funcionamiento	
■ Maintenance .....	9
Entretien / Mantenimiento	
■ Warranty .....	10
Garantie / Garantía	
■ Parts Ordering and Service .....	Back Page
Commande de pièces et réparation / Pedidos de piezas y servicio.....	Page arrière / Pág. posterior

## INTRODUCTION

### INTRODUCTION / INTRODUCCIÓN

This product has many features for making its use more pleasant and enjoyable. Safety, performance, and dependability have been given top priority in the design of this product making it easy to maintain and operate.

\* \* \*

Ce produit offre de nombreuses fonctions destinées à rendre son utilisation plus plaisante et satisfaisante. Lors de la conception de ce produit, l'accent a été mis sur la sécurité, les performances et la fiabilité, afin d'en faire un outil facile à utiliser et à entretenir.

\* \* \*

Este producto ofrece numerosas características para hacer más agradable y placentero su uso. En el diseño de este producto se ha conferido prioridad a la seguridad, el desempeño y la fiabilidad, por lo cual se facilita su manejo y mantenimiento.

# IMPORTANT SAFETY INSTRUCTIONS

When using an electrical appliance, basic precautions should always be followed, including the following:

## **WARNING!**

**READ AND UNDERSTAND ALL INSTRUCTIONS BEFORE USING THIS BLOWER.** To reduce the risk of electric shock, fire and/or serious personal injury.

- **Know your power blower. Read operator's manual carefully. Learn its applications and limitations, as well as the specific potential hazards related to this blower.** Following this rule will reduce the risk of electric shock, fire, or serious injury.
- **Do not permit children to use blower.** It is not a toy. Close attention is necessary when used near children.
- **Use only accessories that are recommended by the manufacturer for your model described in this manual.** Accessories that may be suitable for one blower may create a risk of injury when used on another blower. Use only as described in this manual.
- **Do not handle charger, including charger plug, and charger terminals with wet hands.**
- **Do not put any object into openings. Do not use with any opening blocked; keep free of dust, lint, hair, and anything that may reduce air flow.**
- **Do not charge the unit outdoors.**
- **Keep hair, loose clothing, fingers, and all parts of body away from openings and moving parts.**
- **Turn off all controls before removing battery.**
- **Use extra care when cleaning on stairs or steps.**
- **Do not operate blowers in explosive atmospheres, such as in the presence of flammable liquids, gases, or dust.** Blowers create sparks which may ignite the dust or fumes.
- **Keep your work area clean and well lit.** Cluttered benches and dark areas invite accidents.
- **Keep bystanders, children, and visitors at least 50 ft. away while operating a blower.** Distractions can cause you to lose control.
- **A battery operated blower with integral batteries or a separate battery pack must be recharged only with the specified charger for the battery.** A charger that may be suitable for one type of battery may create a risk of fire when used with another battery.
- **Use battery operated blower only with specifically designated battery pack.** Use of any other batteries may create a risk of fire.
- **Use only with charger listed.** For use with 18V nickel-cadmium and lithium-ion battery packs., see tool/appliance/battery pack/charger correlation supplement 987000-432.
- **Do not operate charger with a damaged cord or plug, which could cause shorting and electric shock.** If damaged, have the charger replaced by an authorized service center.
- **If appliance is not working as it should, has been dropped, damaged, left outdoors, or dropped into water, return it to a service center.**
- **Stay alert, watch what you are doing and use common sense when operating a power blower. Do not use blower while tired, upset, or under the influence of drugs, alcohol, or medication.** A moment of inattention while operating blowers may result in serious personal injury.
- **Secure long hair above shoulder level to prevent entanglement in moving parts.**
- **Avoid accidental starting. Be sure switch is in the locked or off position before inserting battery pack.** Carrying blowers with your finger on the switch or inserting the battery pack into a blower with the switch on invites accidents.
- **Use safety equipment. Always wear eye protection.** Dust mask, non-skid safety shoes, hard hat, or hearing protection must be used for appropriate conditions.
- **Do not wear loose clothing or jewelry. Contain long hair.** Loose clothes, jewelry, or long hair can be drawn into air vents.
- **Do not use on a ladder, rooftop, tree, or other unstable support.** Stable footing on a solid surface enables better control of the blower in unexpected situations.
- **Do not use blower if switch does not turn it on or off.** A blower that cannot be controlled with the switch is dangerous and must be repaired.
- **Disconnect battery pack from blower before making any adjustments, changing accessories, or storing the blower.** Such preventive safety measures reduce the risk of starting the blower accidentally.
- **When battery pack is not in use, keep it away from other metal objects like: paper clips, coins, keys, nails, screws, or other small metal objects that can make a connection from one terminal to another.** Shorting the battery terminals together may cause sparks, burns, or a fire.
- **Check for misalignment or binding of moving parts, breakage of parts, and any other condition that may affect the blower's operation. If damaged, have the blower serviced before using.** Many accidents are caused by poorly maintained blowers.
- **Keep the blower and its handle dry, clean and free from oil and grease.** Always use a clean cloth when cleaning. Never use brake fluids, gasoline, petroleum-based products, or any strong solvents to clean your blower. Following this rule will reduce the risk of loss of control and deterioration of the enclosure plastic.




# IMPORTANT SAFETY INSTRUCTIONS

- **Always wear safety glasses with side shields.** Everyday glasses have only impact resistant lenses. They are NOT safety glasses. Following this rule will reduce the risk of eye injury.
- **Always wear eye protection with side shields marked to comply with ANSI Z87.1 along with hearing protection when operating this equipment.**
- **Protect your lungs. Wear a face or dust mask if the operation is dusty.** Following this rule will reduce the risk of serious personal injury.
- **Protect your hearing. Wear hearing protection during extended periods of operation.** Following this rule will reduce the risk of serious personal injury.
- **Battery blowers do not have to be plugged into an electrical outlet; therefore, they are always in operating condition. Be aware of possible hazards when not using your battery powered blower or when changing accessories.** Following this rule will reduce the risk of electric shock, fire, or serious personal injury.
- **Under abusive conditions, liquid may be ejected from the battery; avoid contact.** If contact accidentally occurs, flush with water. If liquid contacts eyes, additionally seek medical help. Liquid ejected from the battery may cause irritation or burns.
- **Do not use a battery pack or appliance that is damaged or modified.** Damaged or modified batteries may exhibit unpredictable behavior resulting in fire, explosion or risk of injury.
- **Do not expose a battery pack or appliance to fire or excessive temperature.** Exposure to fire or temperature above 265°F may cause explosion.
- **Do not place battery powered blowers or their batteries near fire or heat.** This will reduce the risk of explosion and possibly injury.
- **Don't expose blowers to rain or wet conditions.** Water entering a blower will increase the risk of electric shock.
- **Wear heavy long pants, long sleeves, boots, and gloves.** Avoid loose garments or jewelry that could get caught in moving parts of the machine or its motor.
- **Do not operate the equipment while barefoot or when wearing sandals or similar lightweight footwear.** Wear protective footwear that will protect your feet and improve your footing on slippery surfaces.
- **Keep firm footing and balance. Do not overreach.** Overreaching can result in loss of balance.
- **Check the work area before each use.** Remove all objects such as rocks, broken glass, nails, wire, or string which can be thrown or become entangled in the machine.
- **Do not point the blower nozzle in the direction of people or pets.**
- **Never run the unit without the proper equipment attached.** Always ensure the blower tubes are installed.
- **When not in use, blower should be stored indoors in a dry, locked up place—out of the reach of children.**
- **Do not hang unit so that the switch trigger is depressed.**
- **Keep all bystanders, children, and pets at least 50 ft. away.**
- **Do not dispose of a severely damaged or worn out battery pack or this blower by incinerating.** The battery can explode in fire.
- **Blower service must be performed only by qualified repair personnel.** Service or maintenance performed by unqualified personnel may result in a risk of injury.
- **When servicing a blower, use only identical replacement parts.** Follow instructions in the Maintenance section of this manual. Use of unauthorized parts or failure to follow Maintenance Instructions may create a risk of shock or injury.
- **Never use blower near fires, fireplaces, hot ashes, barbecue pits, etc.** Use near fires or ashes can spread fires and result in serious injury and/or property damage.
- **Never use blower to spread chemicals, fertilizers, or any other toxic substances.** Spreading these substances could result in serious injury to the operator or bystanders.
- **Never place blower on any surface, except a hard, clean surface when motor is running.** Gravel, sand, and other debris can be picked up by the air inlet and thrown at the operator or bystanders, causing possible serious injuries.
- **For household use only.**
- **Save these instructions.** Refer to them frequently and use them to instruct others who may use this tool. If you loan someone this tool, loan them these instructions also.












## SAVE THESE INSTRUCTIONS

# SYMBOLS

The following signal words and meanings are intended to explain the levels of risk associated with this product.

SYMBOL	SIGNAL	MEANING
	<b>DANGER:</b>	Indicates a hazardous situation, which, if not avoided, will result in death or serious injury.
	<b>WARNING:</b>	Indicates a hazardous situation, which, if not avoided, could result in death or serious injury.
	<b>CAUTION:</b>	Indicates a hazardous situation, that, if not avoided, may result in minor or moderate injury.
	<b>NOTICE:</b>	(Without Safety Alert Symbol) Indicates information considered important, but not related to a potential injury (e.g. messages relating to property damage).

Some of the following symbols may be used on this product. Please study them and learn their meaning. Proper interpretation of these symbols will allow you to operate the product better and safer.

SYMBOL	NAME	DESIGNATION/EXPLANATION
	Safety Alert	Indicates a potential personal injury hazard.
	Read Operator's Manual	To reduce the risk of injury, user must read and understand operator's manual before using this product.
	Eye and Hearing Protection	Always wear eye protection with side shields marked to comply with ANSI Z87.1 along with hearing protection when operating this equipment.
	Impeller Blades	Rotating impeller blades can cause severe injury.
	Wet Conditions Alert	Do not expose to rain or use in damp locations.
	Keep Bystanders Away	Keep all bystanders at least 50 ft. away.
	Long Hair	Failure to keep long hair away from the air inlet could result in personal injury.
	Blower Tube	Do not operate without tube in place.
	Loose Clothing	Failure to keep loose clothing from being drawn into air intake could result in personal injury.
	Ricochet	Thrown objects can ricochet and result in personal injury or property damage.
	Recycle Symbol	This product uses lithium-ion (Li-ion) batteries. Local, state, or federal laws may prohibit disposal of batteries in ordinary trash. Consult your local waste authority for information regarding available recycling and/or disposal options.

# SYMBOLS

Some of the following symbols may be used on this product. Please study them and learn their meaning. Proper interpretation of these symbols will allow you to operate the product better and safer.

SYMBOL	NAME	DESIGNATION/EXPLANATION
V	Volts	Voltage
min	Minutes	Time
≡	Direct Current	Type or a characteristic of current
$n_0$	No Load Speed	Rotational speed, at no load
.../min	Per Minute	Revolutions, strokes, surface speed, orbits etc., per minute

# FEATURES

## PRODUCT SPECIFICATIONS

Motor ..... 18 Volts DC  
 Air Velocity ..... 100 MPH  
 Air Volume ..... 280 CFM

## KNOW YOUR BLOWER

See Figure 1.

The safe use of this product requires an understanding of the information on the tool and in this operator's manual as well as a knowledge of the project you are attempting. Before use of this product, familiarize yourself with all operating features and safety rules.

### BLOWER TUBE

The blower tube can be installed on the blower without using any tools.

### KEYHOLE HANGER

Built in hanger allows you to easily and conveniently store the unit safely out of the way.

### OVERMOLD HANDLE

Ergonomic handle with overmold improves comfort and grip.

### VARIABLE SPEED SWITCH TRIGGER

The variable speed switch trigger delivers higher speed with increased trigger pressure and lower speed with decreased trigger pressure.

# ASSEMBLY

## UNPACKING

This product requires assembly.

- Carefully remove the product and any accessories from the box. Make sure that all items listed in the packing list are included.

### **WARNING:**

Do not use this product if any parts on the Packing List are already assembled to your product when you unpack it. Parts on this list are not assembled to the product by the manufacturer and require customer installation. Use of a product that may have been improperly assembled could result in serious personal injury.

- Inspect the product carefully to make sure no breakage or damage occurred during shipping.
- Do not discard the packing material until you have carefully inspected and satisfactorily operated the product.
- If any parts are damaged or missing, please call 1-800-860-4050 for assistance.

## PACKING LIST

Blower

Blower Tube

Operator's Manual

### **WARNING:**

If any parts are damaged or missing do not operate this product until the parts are replaced. Use of this product with damaged or missing parts could result in serious personal injury.

### **WARNING:**

Do not attempt to modify this product or create accessories not recommended for use with this blower. Any such alteration or modification is misuse and could result in a hazardous condition leading to possible serious personal injury.

### **WARNING:**

To prevent accidental starting that could cause serious personal injury, always remove the battery pack from the tool when assembling parts.

## ASSEMBLING THE BLOWER TUBE

See *Figure 2*.

- With the logo area facing up, slide the blower tube over the outlet on the blower housing.
- Press down on the tab on the blower housing outlet.
- Push tube on the blower housing outlet until tab locks into place through the slot in the blower tube.
- To remove the blower tube, push tab down and slide tube off.



# OPERATION

## **WARNING:**

Do not allow familiarity with products to make you careless. Remember that a careless fraction of a second is sufficient to inflict serious injury.

## **WARNING:**

Always wear eye protection with side shields marked to comply with ANSI Z87.1, along with hearing protection. Failure to do so could result in objects being thrown into your eyes resulting in possible serious injury.

## **WARNING:**

Do not use any attachments or accessories not recommended by the manufacturer of this product. The use of attachments or accessories not recommended can result in serious personal injury.

## APPLICATIONS

You may use this product for the purposes listed below:

- Clearing leaves and other debris from your lawn
- Keeping decks and driveways free from grass clippings, leaves, pine needles, and other debris

This product will accept Ryobi One+ 18 V lithium-ion battery packs and Ryobi One+ 18 V nickel-cadmium battery packs.

For complete charging instructions, refer to the Operator's Manuals for your Ryobi battery pack and charger models.

## BATTERY PROTECTION FEATURES

Ryobi lithium-ion batteries are designed with features that protect the lithium-ion cells and maximize battery life.

If the tool stops during use, release the trigger to reset and resume operation. If the tool still does not work, the battery needs to be recharged.

## TO INSTALL / REMOVE BATTERY PACK

See Figure 3.

## **WARNING:**

Always remove battery pack from your tool when you are assembling parts, making adjustments, cleaning, or when not in use. Removing battery pack will prevent accidental starting that could cause serious personal injury.

### To install:

- Place the battery pack in the blower. Align the raised rib on the battery pack with groove in the blower's battery port.
- Make sure the latches on each side of the battery pack snap in place and that the battery pack is secured in the blower before beginning operation.

## **NOTICE:**

When placing battery pack in the tool, be sure raised rib on battery pack aligns with the bottom of the tool and latches into place properly. Improper installation of the battery pack can cause damage to internal components.

### To remove:

- Locate the latches on the side of the battery pack and depress both sides to release the battery pack from the blower.

## **WARNING:**

Battery tools are always in operating condition. Therefore, switch should always be locked with hands free of the lock-out button when not in use. Remove battery pack when transporting or carrying blower to avoid accidental starting, which may result in serious injury.

## STARTING/STOPPING THE BLOWER

See Figure 4.

- To start the blower, depress the switch trigger.
- To stop the blower, release the switch trigger.

# OPERATION

## OPERATING THE BLOWER

See Figure 5.

- To keep from scattering debris, blow around the outer edges of a debris pile. Never blow directly into the center of a pile.
- To reduce sound levels, limit the number of pieces of equipment used at any one time.
- Use rakes and brooms to loosen debris before blowing. In dusty conditions, slightly dampen surfaces when water is available.
- Conserve water by using power blowers instead of hoses for many lawn and garden applications, including areas such as gutters, screens, patios, grills, porches, and gardens.

- Watch out for children, pets, open windows, or freshly washed cars, and blow debris safely away.
- After using blowers or other equipment, CLEAN UP! Dispose of debris properly.

### **WARNING:**

Battery tools are always in operating condition. Therefore, switch should always be in the OFF position when not in use or carrying at your side.

# MAINTENANCE

### **WARNING:**

When servicing, use only identical replacement parts. Use of any other parts can create a hazard or cause product damage.

### **WARNING:**

Always wear eye protection with side shields marked to comply with ANSI Z87.1, along with hearing protection. Failure to do so could result in objects being thrown into your eyes resulting in possible serious injury.

### **WARNING:**

To avoid serious personal injury, always remove the battery pack from the product when cleaning or performing any maintenance.

## GENERAL MAINTENANCE

Avoid using solvents when cleaning plastic parts. Most plastics are susceptible to damage from various types of commercial solvents and may be damaged by their use. Use clean cloths to remove dirt, dust, oil, grease, etc.

### **WARNING:**

Do not at any time let brake fluids, gasoline, petroleum-based products, penetrating oils, etc., come in contact with plastic parts. Chemicals can damage, weaken or destroy plastic which can result in serious personal injury.

Only the parts shown on the parts list are intended to be repaired or replaced by the customer. All other parts should be replaced at an Authorized Service Center.

## STORAGE

- Clean all foreign material from the blower.
- Store indoors in a secure place that is inaccessible to children. Keep away from corrosive agents such as garden chemicals and de-icing salts.
- Do not hang unit so that the switch trigger is depressed.

# WARRANTY

## LIMITED WARRANTY STATEMENT

Techtronic Industries North America, Inc., warrants to the original retail purchaser that this RYOBI™ brand outdoor product is free from defect in material and workmanship and agrees to repair or replace, at Techtronic Industries North America, Inc.'s, discretion, any defective product free of charge within these time periods from the date of purchase.

- Three years if the product is used for personal, family or household use;
- 90 days, if used for any other purpose, such as commercial or rental.

This warranty extends to the original retail purchaser only and commences on the date of the original retail purchase.

Any part of this product found in the reasonable judgment of Techtronic Industries North America, Inc. to be defective in material or workmanship will be repaired or replaced without charge for parts and labor by an authorized service center for RYOBI™ brand outdoor products (Authorized Ryobi Service Center).

The product, including any defective part, must be returned to an authorized Ryobi service center within the warranty period. The expense of delivering the product to the service center for warranty work and the expense of returning it back to the owner after repair or replacement will be paid by the owner. Techtronic Industries North America, Inc.'s, responsibility in respect to claims is limited to making the required repairs or replacements and no claim of breach of warranty shall be cause for cancellation or rescission of the contract of sale of any RYOBI™ brand outdoor product. Proof of purchase will be required by the dealer to substantiate any warranty claim. All warranty work must be performed by an authorized service dealer.

This warranty is limited to ninety (90) days from the date of original retail purchase for any RYOBI™ brand outdoor product that is used for rental or commercial purposes, or any other income-producing purpose.

This warranty does not cover any product that has been subject to misuse, neglect, negligence, or accident, or that has been operated in any way contrary to the operating instructions as specified in this operator's manual. This warranty does not apply to any damage to the product that is the result of improper maintenance or to any product that has been altered or modified. The warranty does not extend to repairs made necessary by normal wear or by the use of parts or accessories which are either incompatible with the RYOBI™ brand outdoor product or adversely affect its operation, performance, or durability. In addition, this warranty does not cover:

- A. Tune-ups – Spark Plugs, Carburetor, Carburetor Adjustments, Ignition, Filters
- B. Wear items – Bump Knobs, Outer Spools, Cutting Lines, Inner Reels, Starter Pulleys, Starter Ropes, Drive Belts, Tines, Felt Washers, Hitch Pins, Mulching Blades, Blower Fans, Blower and Vacuum Tubes, Vacuum Bag and Straps, Guide Bars, Saw Chains

Techtronic Industries North America, Inc., reserves the right to change or improve the design of any RYOBI™ brand outdoor product without assuming any obligation to modify any product previously manufactured.

ALL IMPLIED WARRANTIES ARE LIMITED IN DURATION TO THE STATED WARRANTY PERIOD. ACCORDINGLY, ANY SUCH IMPLIED WARRANTIES INCLUDING MERCHANTABILITY, FITNESS FOR A PARTICULAR PURPOSE, OR OTHERWISE, ARE DISCLAIMED IN THEIR ENTIRETY AFTER THE EXPIRATION OF THE APPROPRIATE FIVE-YEAR OR NINETY-DAY WARRANTY PERIOD. TECHTRONIC INDUSTRIES NORTH AMERICA, INC.'S, OBLIGATION UNDER THIS WARRANTY IS STRICTLY AND EXCLUSIVELY LIMITED TO THE REPAIR OR REPLACEMENT OF DEFECTIVE PARTS AND TECHTRONIC INDUSTRIES NORTH AMERICA, INC., DOES NOT ASSUME OR AUTHORIZE ANYONE TO ASSUME FOR THEM ANY OTHER OBLIGATION. SOME STATES DO NOT ALLOW LIMITATIONS ON HOW LONG AN IMPLIED WARRANTY LASTS, SO THE ABOVE LIMITATION MAY NOT APPLY TO YOU. TECHTRONIC INDUSTRIES NORTH AMERICA, INC., ASSUMES NO RESPONSIBILITY FOR INCIDENTAL, CONSEQUENTIAL, OR OTHER DAMAGES INCLUDING, BUT NOT LIMITED TO, EXPENSE OF RETURNING THE PRODUCT TO AN AUTHORIZED RYOBI SERVICE CENTER AND EXPENSE OF DELIVERING IT BACK TO THE OWNER, MECHANIC'S TRAVEL TIME, TELEPHONE OR TELEGRAM CHARGES, RENTAL OF A LIKE PRODUCT DURING THE TIME WARRANTY SERVICE IS BEING PERFORMED, TRAVEL, LOSS OR DAMAGE TO PERSONAL PROPERTY, LOSS OF REVENUE, LOSS OF USE OF THE PRODUCT, LOSS OF TIME, OR INCONVENIENCE. SOME STATES DO NOT ALLOW THE EXCLUSION OR LIMITATION OF INCIDENTAL OR CONSEQUENTIAL DAMAGES, SO THE ABOVE LIMITATION OR EXCLUSION MAY NOT APPLY TO YOU.

This warranty gives you specific legal rights, and you may also have other rights which vary from state to state.

This warranty applies to all RYOBI™ brand outdoor products manufactured by or for Techtronic Industries North America, Inc., and sold in the United States and Canada.

To locate your nearest Authorized Ryobi Service Center, dial 1-800-860-4050.



# OPERATOR'S MANUAL

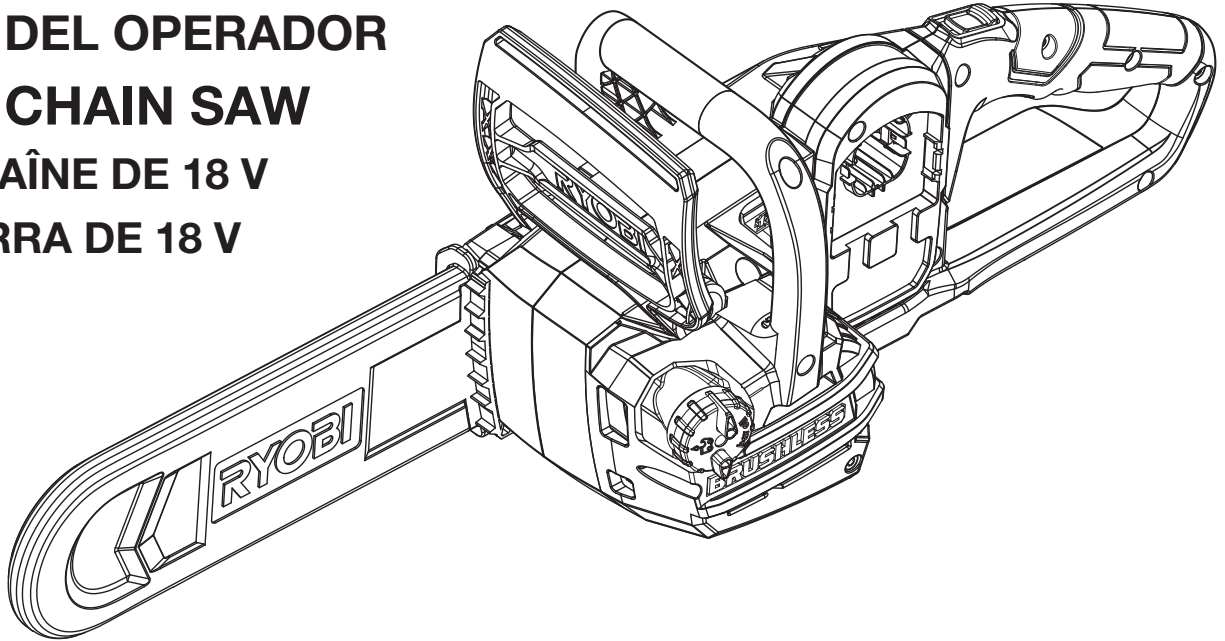
MANUEL D'UTILISATION  
MANUAL DEL OPERADOR

18 VOLT CHAIN SAW

SCIE À CHAÎNE DE 18 V

MOTOSIERRA DE 18 V

P548



Your chain saw has been engineered and manufactured to our high standard for dependability, ease of operation, and operator safety. When properly cared for, it will give you years of rugged, trouble-free performance.

**⚠ WARNING:** To reduce the risk of injury, the user must read and understand the operator's manual before using this product.

Thank you for your purchase.

## SAVE THIS MANUAL FOR FUTURE REFERENCE

Cette scie à chaîne a été conçue et fabriquée conformément aux strictes normes de fiabilité, simplicité d'emploi et sécurité d'utilisation. Correctement entretenue, elle vous donnera des années de fonctionnement robuste et sans problème.

**⚠ AVERTISSEMENT :** Pour réduire les risques de blessures, l'utilisateur doit lire et veiller à bien comprendre le manuel d'utilisation avant d'employer ce produit.

Merci de votre achat.

**CONSERVER CE MANUEL POUR  
FUTURE RÉFÉRENCE**

Su motosierra inalámbrica ha sido diseñada y fabricada de conformidad con nuestras estrictas normas para brindar fiabilidad, facilidad de uso y seguridad para el operador. Con el debido cuidado, le brindará muchos años de sólido y eficiente funcionamiento.

**⚠ ADVERTENCIA:** Para reducir el riesgo de lesiones, el usuario debe leer y comprender el manual del operador antes de usar este producto.

Le agradecemos su compra.

**GUARDE ESTE MANUAL PARA  
FUTURAS CONSULTAS**

# TABLE OF CONTENTS

## TABLE DES MATIÈRES / ÍNDICE DE CONTENIDO

■ Introduction .....	2
Introduction / Introducción	
■ General Power Tool Safety Warnings.....	3-4
Avertissements règles de sécurité relatives aux outils électriques / Advertencias de seguridad para herramientas eléctricas	
■ Chain Saw Safety Warnings.....	5-9
Avertissements de sécurité relatifs au scie à chaîne / Advertencias de seguridad de la motosierra	
■ Symbols .....	10-11
Symboles / Símbolos	
■ Glossary of Terms.....	12
Glossaire / Glosario de términos	
■ Features.....	13-14
Caractéristiques / Características	
■ Assembly.....	15
Assemblage / Armado	
■ Operation.....	15-25
Utilisation / Funcionamiento	
■ Maintenance.....	26-32
Entretien / Mantenimiento	
■ Bar and Chain Combinations .....	32
Combinaisons de guide et chaîne / Combinaciones de barra y cadena	
■ Troubleshooting.....	33
Dépannage / Corrección de problemas	
■ Warranty .....	34
Garantie / Garantía	
■ Parts Ordering and Service .....	Back Page
Commande de pièces et réparation / Pedidos de piezas y servicio .....	Page arrière / Pág. posterior

## INTRODUCTION

### INTRODUCCIÓN

This product has many features for making its use more pleasant and enjoyable. Safety, performance, and dependability have been given top priority in the design of this product making it easy to maintain and operate.

\* \* \*

Ce produit offre de nombreuses fonctions destinées à rendre son utilisation plus plaisante et satisfaisante. Lors de la conception de ce produit, l'accent a été mis sur la sécurité, les performances et la fiabilité, afin d'en faire un outil facile à utiliser et à entretenir.

\* \* \*

Este producto ofrece numerosas características para hacer más agradable y placentero su uso. En el diseño de este producto se ha conferido prioridad a la seguridad, el desempeño y la fiabilidad, por lo cual se facilita su manejo y mantenimiento.

# GENERAL POWER TOOL SAFETY WARNINGS

## WARNING

**Read all safety warnings and all instructions.** Failure to follow the warnings and instructions may result in electric shock, fire and/or serious injury.

**Save all warnings and instructions for future reference.** The term “power tool” in the warnings refers to your mains-operated (corded) power tool or battery-operated (cordless) power tool.

## WORK AREA SAFETY

- **Keep work area clean and well lit.** Cluttered or dark areas invite accidents.
- **Do not operate power tools in explosive atmospheres, such as in the presence of flammable liquids, gases or dust.** Power tools create sparks which may ignite the dust or fumes.
- **Keep children and bystanders away while operating a power tool.** Distractions can cause you to lose control.

## ELECTRICAL SAFETY

- **Power tool plugs must match the outlet. Never modify the plug in any way. Do not use any adapter plugs with earthed (grounded) power tools.** Unmodified plugs and matching outlets will reduce risk of electric shock.
- **Avoid body contact with earthed or grounded surfaces such as pipes, radiators, ranges and refrigerators.** There is an increased risk of electric shock if your body is earthed or grounded.
- **Do not expose power tools to rain or wet conditions.** Water entering a power tool will increase the risk of electric shock.
- **Do not abuse the cord. Never use the cord for carrying, pulling or unplugging the power tool. Keep cord away from heat, oil, sharp edges or moving parts.** Damaged or entangled cords increase the risk of electric shock.
- **When operating a power tool outdoors, use an extension cord suitable for outdoor use.**

Use of a cord suitable for outdoor use reduces the risk of electric shock.

- **If operating a power tool in a damp location is unavoidable, use a ground fault circuit interrupter (GFCI) protected supply.** Use of a GFCI reduces the risk of electric shock.

## PERSONAL SAFETY

- **Stay alert, watch what you are doing and use common sense when operating a power tool. Do not use a power tool while you are tired or under the influence of drugs, alcohol or medication.** A moment of inattention while operating power tools may result in serious personal injury.
- **Use personal protective equipment. Always wear eye protection.** Protective equipment such as dust mask, non-skid safety shoes, hard hat, or hearing protection used for appropriate conditions will reduce personal injuries.
- **Prevent unintentional starting. Ensure the switch is in the off-position before connecting to power source and/or battery pack, picking up or carrying the tool.** Carrying power tools with your finger on the switch or energising power tools that have the switch on invites accidents.
- **Remove any adjusting key or wrench before turning the power tool on.** A wrench or a key left attached to a rotating part of the power tool may result in personal injury.
- **Do not overreach. Keep proper footing and balance at all times.** This enables better control of the power tool in unexpected situations.
- **Dress properly. Do not wear loose clothing or jewellery. Keep your hair, clothing and gloves away from moving parts.** Loose clothes, jewellery or long hair can be caught in moving parts.
- **If devices are provided for the connection of dust extraction and collection facilities, ensure these are connected and properly used.** Use of dust collection can reduce dust-related hazards.

# GENERAL POWER TOOL SAFETY WARNINGS

## POWER TOOL USE AND CARE

- **Do not force the power tool. Use the correct power tool for your application.** The correct power tool will do the job better and safer at the rate for which it was designed.
- **Do not use the power tool if the switch does not turn it on and off.** Any power tool that cannot be controlled with the switch is dangerous and must be repaired.
- **Disconnect the plug from the power source and/or the battery pack from the power tool before making any adjustments, changing accessories, or storing power tools.** Such preventive safety measures reduce the risk of starting the power tool accidentally.
- **Store idle power tools out of the reach of children and do not allow persons unfamiliar with the power tool or these instructions to operate the power tool.** Power tools are dangerous in the hands of untrained users.
- **Maintain power tools. Check for misalignment or binding of moving parts, breakage of parts and any other condition that may affect the power tool's operation. If damaged, have the power tool repaired before use.** Many accidents are caused by poorly maintained power tools.
- **Keep cutting tools sharp and clean.** Properly maintained cutting tools with sharp cutting edges are less likely to bind and are easier to control.
- **Use the power tool, accessories and tool bits etc. in accordance with these instructions, taking into account the working conditions and the work to be performed.** Use of the power tool for operations different from those intended could result in a hazardous situation.

## BATTERY TOOL USE AND CARE

- **Recharge only with the charger specified by the manufacturer.** A charger that is suitable for one type of battery pack may create a risk of fire when used with another battery pack.
- **Use power tools only with specifically designated battery packs.** Use of any other battery packs may create a risk of injury and fire.
- **When battery pack is not in use, keep it away from other metal objects, like paper clips, coins, keys, nails, screws or other small metal objects, that can make a connection from one terminal to another.** Shorting the battery terminals together may cause burns or a fire.
- **Under abusive conditions, liquid may be ejected from the battery; avoid contact. If contact accidentally occurs, flush with water. If liquid contacts eyes, additionally seek medical help.** Liquid ejected from the battery may cause irritation or burns.

## SERVICE

- **Have your power tool serviced by a qualified repair person using only identical replacement parts.** This will ensure that the safety of the power tool is maintained.
- **When servicing a power tool, use only identical replacement parts. Follow instructions in the Maintenance section of this manual.** Use of unauthorized parts or failure to follow Maintenance instructions may create a risk of shock or injury.

# CHAIN SAW SAFETY WARNINGS

- **Keep all parts of the body away from the saw chain when the chain saw is operating. Before you start the chain saw, make sure the saw chain is not contacting anything.** A moment of inattention while operating chain saws may cause entanglement of your clothing or body with the saw chain.
- **Always hold the chain saw with your right hand on the rear handle and your left hand on the front handle.** Holding the chain saw with a reversed hand configuration increases the risk of personal injury and should never be done.
- **Hold the power tool by insulated gripping surfaces only, because the saw chain may contact hidden wiring.** Saw chains contacting a “live” wire may make exposed metal parts of the power tool “live” and could give the operator an electric shock.
- **Wear safety glasses and hearing protection. Further protective equipment for head, hands, legs and feet is recommended.** Adequate protective clothing will reduce personal injury by flying debris or accidental contact with the saw chain.
- **Do not operate a chain saw in a tree.** Operation of a chain saw while up in a tree may result in personal injury.
- **Always keep proper footing and operate the chain saw only when standing on fixed, secure and level surface.** Slippery or unstable surfaces such as ladders may cause a loss of balance or control of the chain saw.
- **When cutting a limb that is under tension be alert for spring back.** When the tension in the wood fibres is released the spring loaded limb may strike the operator and/or throw the chain saw out of control.
- **Use extreme caution when cutting brush and saplings.** The slender material may catch the saw chain and be whipped toward you or pull you off balance.
- **Carry the chain saw by the front handle with the chain saw switched off and away from your body. When transporting or storing the chain saw always fit the guide bar cover.**

Proper handling of the chain saw will reduce the likelihood of accidental contact with the moving saw chain.

- **Follow instructions for lubricating, chain tensioning and changing accessories.** Improperly tensioned or lubricated chain may either break or increase the chance for kickback.
- **Keep handles dry, clean, and free from oil and grease.** Greasy, oily handles are slippery causing loss of control.
- **Cut wood only. Do not use chain saw for purposes not intended. For example: do not use chain saw for cutting plastic, masonry or non-wood building materials.** Use of the chain saw for operations different than intended could result in a hazardous situation.

## CAUSES AND OPERATOR PREVENTION OF KICKBACK

Kickback may occur when the nose or tip of the guide bar touches an object, or when the wood closes in and pinches the saw chain in the cut.

Tip contact in some cases may cause a sudden reverse reaction, kicking the guide bar up and back towards the operator.

Pinching the saw chain along the top of the guide bar may push the guide bar rapidly back towards the operator.

Either of these reactions may cause you to lose control of the saw which could result in serious personal injury. Do not rely exclusively upon the safety devices built into your saw. As a chain saw user, you should take several steps to keep your cutting jobs free from accident or injury.

Kickback is the result of tool misuse and/or incorrect operating procedures or conditions and can be avoided by taking proper precautions as given below:

- **Maintain a firm grip, with thumbs and fingers encircling the chain saw handles, with both hands on the saw and position your body and arm to allow you to resist kickback forces.** Kickback forces can be controlled by the operator, if proper precautions are taken. Do not let go of the chain saw.



# CHAIN SAW SAFETY WARNINGS

- **Do not overreach and do not cut above shoulder height.** This helps prevent unintended tip contact and enables better control of the chain saw in unexpected situations.
- **Only use replacement bars and chains specified by the manufacturer.** Incorrect replacement bars and chains may cause chain breakage and/or kickback.
- **Follow the manufacturer's sharpening and maintenance instructions for the saw chain.** Decreasing the depth gauge height can lead to increased kickback.
- It is not recommended to cut over chest height.
- Do not start cutting until you have a clear work area, secure footing, and a planned retreat path from the falling tree. Cluttered areas invite accidents.
- Keep ALL children, bystanders, visitors, and animals out of the work area while starting or cutting with the chain saw. Do not let visitors contact chain saw or extension cord.
- Do not operate chain saw in explosive atmospheres, such as in the presence of flammable liquids, gases, or dust. Chain saws create sparks which may ignite the dust or fumes.
- Dress Properly - Wear snug fitting clothing. Always wear heavy, long pants, long sleeves, overalls, jeans or chaps made of cut resistant material or ones that contain cut resistant inserts. Wear non-slip safety footwear. Wear non-slip heavy duty gloves to improve your grip and to protect your hands. Do not wear jewelry, short pants, sandals, or go barefoot. Do not wear loose fitting clothing, which could be drawn into the motor or catch the chain or underbrush. Secure hair so it is above shoulder level. Wear hearing and head protection.
- Heavy protective clothing may increase operator fatigue, which could lead to heat stroke. During weather that is hot and humid, heavy work should be scheduled for early morning or late afternoon hours when temperatures are cooler.
- Always wear eye protection with side shields marked to comply with ANSI Z87.1 as well as hearing and head protection when operating this equipment.
- Always be aware of what you are doing when using the chain saw. Use common sense. Do not operate the chain saw when you are tired, ill, upset, or under the influence of alcohol, drugs, or medication.
- Do not expose the chain saw to rain.
- Do not use the chain saw in damp or wet locations.
- Stay alert and pay attention to what you are doing. Use common sense when using this unit.
- Keep all parts of your body away from the saw chain when the unit is running.
- Never let anyone use your chain saw who has not received adequate instructions in its proper use. This applies to rentals as well as privately owned saws.
- Before you start the unit, make sure the saw chain is not contacting any object.
- Stop the chain saw before setting it down.
- To avoid accidental starting, never carry the unit with your finger on the switch trigger.
- Maintain the unit with care. Keep the cutting edge sharp and clean for best performance and to reduce the risk of injury. Follow instructions for lubricating and changing accessories.
- Do not operate a chain saw with one hand! Use a firm grip with thumbs and fingers encircling the chain saw handles. Serious injury to the operator, helpers, bystanders, or any combination of these persons may result from one-handed operation. A chain saw is intended for two-handed use.
- Guard against electric shock - Avoid body contact with grounded surfaces such as metal pipes and wire fences. There is an increased risk of electric shock if your body is grounded.
- Do not operate a chain saw that is damaged, improperly adjusted, or not completely and securely assembled. Chain should slow to a stop when the switch trigger is released. If the chain continues to turn after the switch trigger has been released, have the unit serviced by an authorized service center.

# CHAIN SAW SAFETY WARNINGS

- Check for damaged parts. Check for alignment of moving parts, binding of moving parts, breakage of parts, mounting, and any other conditions that may affect its operation. A guard or other part that is damaged should be properly repaired or replaced by an authorized service center unless otherwise indicated elsewhere in this manual.
  - All chain saw service, other than the items listed in the operation and maintenance sections, should be performed by your an authorized service center.
  - Always maintain a proper stance.
  - Do not use chain saw if switch does not turn it on and off. Have defective switch replaced by an authorized service center.
  - Do not adapt your powerhead to a bow guide or use it to power any attachments or devices not listed for the saw.
  - Disconnect chain saw from power supply when not in use, before servicing, and when making adjustments and changing attachments, such as saw chain and guard.
  - Do not cut vines and/or small underbrush.
  - Do not operate a chain saw in a tree, on a ladder, rooftop, scaffold, or other unstable support; this is extremely dangerous.
- NOTE:** The size of the work area depends on the job being performed as well as the size tree or work piece involved. For example, felling a tree requires a larger work area than making bucking cuts.
- Do not force the chain saw. The job can be performed better and safer at the rate for which it was intended.
  - Always use the right product for your application. The chain saw should be used for cutting wood only. Never use the chain saw to cut plastic, masonry or non-wood building materials.
  - Store chain saw when not charging or when not in use. Chain saw should be stored in a dry and high or locked area out of the reach of children. When storing chain saw place the scabbard on the bar and chain.
  - Use battery only with charger listed. For use with 18V nickel-cadmium and 18V lithium-ion battery packs, see tool/appliance/battery pack/charger correlation supplement 987000-432.
  - Battery operated units do not have to be plugged into an electrical outlet; therefore, they are always in operating condition. Be aware of possible hazards even when unit is not operating.
  - Remove the battery pack from the chain saw when not charging and before cleaning, servicing, storing, removing material from the unit, changing accessories such as the bar and chain, or when not in use.
  - Save these instructions. Refer to them frequently and use them to instruct others who may use this product. If you loan someone this product, loan them these instructions also.

# CHAIN SAW SAFETY WARNINGS

## KICKBACK

See Figures 1 - 3.

■ **WARNING:** Kickback may occur when the moving chain contacts an object at the upper portion of the tip of the guide bar or when the wood closes in and pinches the saw chain in the cut. Contact at the upper portion of the tip of the guide bar can cause the chain to dig into the object and stop the chain for an instant. The result is a lightning fast, reverse reaction which kicks the guide bar up and back toward the operator. If the saw chain is pinched along the top of the guide bar, the guide bar can be driven rapidly back toward the operator. Either of these reactions can cause loss of saw control which can result in serious injury. Do not rely exclusively upon the safety devices built into the saw. As a chain saw user, you should take several steps to keep your cutting jobs free from accident or injury.

■ **The following precautions should be followed to minimize kickback:**

- Always grip the saw firmly with both hands. Hold the saw firmly with both hands when the unit is running. Place your right hand on the rear handle and your left hand on the front handle with your thumbs and fingers encircling the chain saw handles. A firm grip together with a stiff left arm will help you maintain control of the saw if kickback occurs.
  - Make sure that the area in which you are cutting is free from obstructions. Do not let the nose of the guide bar contact a log, branch, fence, or any other obstruction that could be hit while you are operating the saw.
  - Always cut with the unit running at full speed. Fully squeeze the throttle trigger and maintain a steady cutting speed.
  - Use replacement parts such as low kickback chain, chain brakes and special guide bars that reduce the risks associated with rotational kickback. Use only the replacement guide bars and low kickback chains specified by the manufacturer for the saw.
- With a basic understanding of kickback, you can reduce or eliminate the element of surprise. Sudden surprise contributes to accidents.

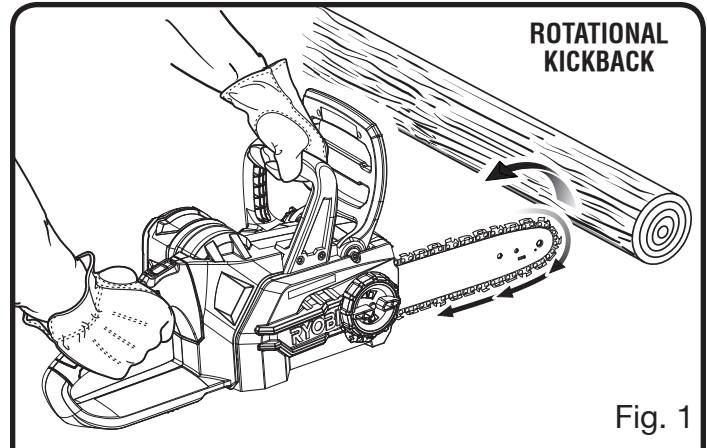


Fig. 1

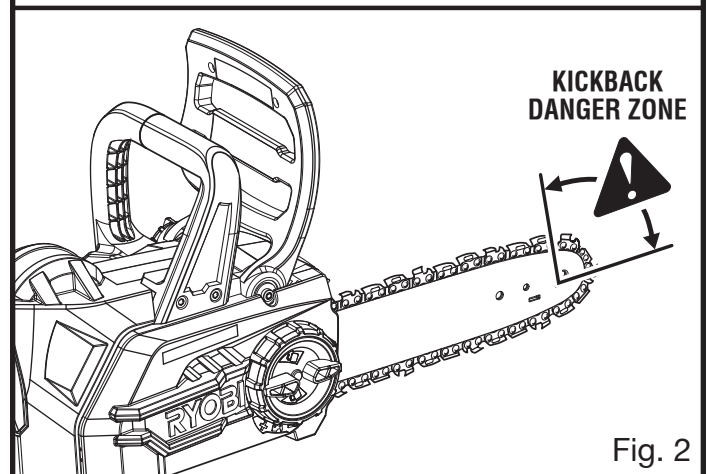


Fig. 2

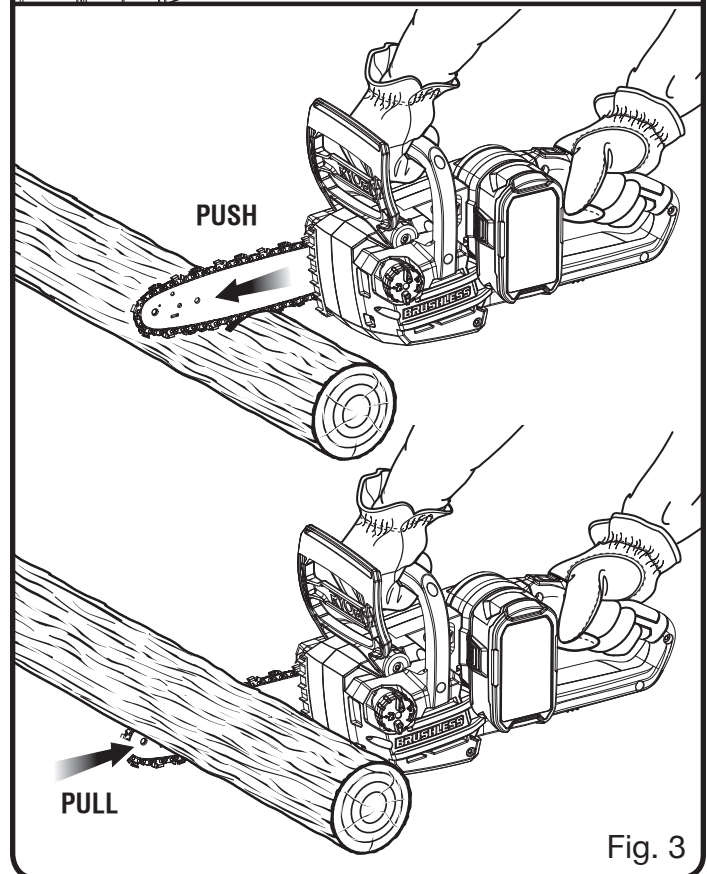


Fig. 3

# CHAIN SAW SAFETY WARNINGS

- Keep proper footing and balance at all times.
- Do not cut above chest height or overreach when cutting.
- Follow the sharpening and maintenance instructions for the saw chain.
- Push and Pull - This reaction force is always opposite to the direction the chain is moving where wood contact is made. Thus, the operator must be ready to control the PULL when cutting on the bottom edge of the bar, and PUSH when cutting along the top edge. See Figure 3.

## UNDERSTANDING YOUR CHAIN SAW SAFETY DEVICES

### LOW KICKBACK SAW CHAIN

The rakers (depth gauges) ahead of each cutter can minimize the force of a kickback reaction by preventing the cutters from digging in too deeply at the kickback zone. Only use replacement chain that is equivalent to original chain or has been certified as low kickback chain per ANSI B175.1.

Low kickback saw chain is chain that has met the kickback performance requirements of ANSI B175.1 (American National Standard for Power Tools - Gasoline-Powered Chain Saws-Safety Requirements) when tested on the representative sample of chain saws below 3.8 c.i.d. specified in ANSI B175.1.

As saw chains are sharpened during their useful life, they lose some of the low kickback qualities and extra caution should be used.




### GUIDE BARS

Generally, guide bars with small radius tips have somewhat lower kickback potentials.








When making a replacement, be sure to order one of the bars listed for the saw in this operator's manual.

# SYMBOLS

The following signal words and meanings are intended to explain the levels of risk associated with this product.







SYMBOL	SIGNAL	MEANING
	<b>DANGER:</b>	Indicates a hazardous situation, which, if not avoided, will result in death or serious injury.
	<b>WARNING:</b>	Indicates a hazardous situation, which, if not avoided, could result in death or serious injury.
	<b>CAUTION:</b>	Indicates a hazardous situation, that, if not avoided, may result in minor or moderate injury.
	<b>NOTICE:</b>	(Without Safety Alert Symbol) Indicates information considered important, but not related to a potential injury (e.g. messages relating to property damage).

Some of the following symbols may be used on this product. Please study them and learn their meaning. Proper interpretation of these symbols will allow you to operate the product better and safer.

SYMBOL	NAME	DESIGNATION/EXPLANATION
	Safety Alert	Indicates a potential personal injury hazard.
	Read Operator's Manual	To reduce the risk of injury, user must read and understand operator's manual before using this product.
	Eye, Hearing, and Head Protection	Always wear eye protection with side shields marked to comply with ANSI Z87.1, along with hearing and head protection when operating this equipment.
	Wet Conditions Alert	Do not expose to rain or use in damp locations.
	Operate With Two Hands	Hold and operate the saw properly with both hands.
	One Handed	Do not operate the saw using only one hand.
	Chain Rotation	Indicates direction of moving chain.

# SYMBOLS

Some of the following symbols may be used on this product. Please study them and learn their meaning. Proper interpretation of these symbols will allow you to operate the product better and safer.

SYMBOL	NAME	DESIGNATION/EXPLANATION
	Kickback	DANGER! BEWARE OF KICKBACK.
	Bar Nose Contact	Avoid bar nose contact.
	Wear Gloves	Wear non-slip, heavy-duty protective gloves when handling the chain saw.
	Wear Safety Footwear	Wear non-slip safety footwear when using this equipment.
	Keep Tool Away from Electrical Lines/Keep Bystanders Away	DANGER! Risk of electrocution! Keep tool 50 feet away from electrical lines. Keep all bystanders at least 50 ft. away or twice the height of the largest trees in the felling area when felling.
	Recycle Symbols	This product uses lithium-ion or nickel-cadmium batteries. Local, state or federal laws may prohibit disposal of batteries in ordinary trash. Consult your local waste authority for information regarding available recycling and/or disposal options.
V	Volts	Voltage
==	Direct Current	Type or a characteristic of current

# GLOSSARY OF TERMS

## **Bucking**

The process of cross cutting a felled tree or log into lengths.

## **Chain Saw Powerhead**

A chain saw without the saw chain and guide bar.

## **Drive Sprocket or Sprocket**

The toothed part that drives the saw chain.

## **Felling**

The process of cutting down a tree.

## **Felling Back Cut**

The final cut in a tree felling operation made on the opposite side of the tree from the notching undercut.

## **Front Hand Guard**

A structural barrier between the front handle of a chain saw and the guide bar, typically located close to the hand position on the front handle.

## **Front Handle**

The support handle located at or toward the front of the chain saw. This handle is for the left hand.

## **Guide Bar**

A solid railed structure that supports and guides the saw chain.

## **Kickback**

The backward or upward motion, or both, of the guide bar occurring when the saw chain near the nose of the top area of the guide bar contacts any object such as a log or branch, or when the wood closes in and pinches the saw chain in the cut.

## **Kickback (Pinch)**

The rapid pushback of the saw which can occur when the wood closes in and pinches the moving saw chain in the cut along the top of the guide bar.

## **Kickback (Rotational)**

The rapid upward and backward motion of the saw which can occur when the moving saw chain near the upper portion of the tip of the guide bar contacts an object, such as a log or branch.

## **Lock-out Button**

A movable stop that prevents the unintentional operation of the switch until manually actuated.

## **Low-Kickback Chain**

A chain that complies with the kickback performance requirements of ANSI B175.1 when tested on a representative sample of chain saws.

## **Normal Cutting Position**

Those positions assumed in performing the bucking and felling cuts.

## **Notching Undercut**

A notch cut in a tree that directs the tree's fall.

## **Rear Handle**

The support handle located at or toward the rear of the saw. It normally contains the throttle. This handle is for the right hand.

## **Reduced Kickback Guide Bar**

A guide bar which has been demonstrated to reduce kickback significantly.

## **Replacement Saw Chain**

A chain that complies with the kickback performance requirements of ANSI B175.1 when tested with specific chain saws. It may not meet the ANSI performance requirements when used with other saws.

## **Saw Chain**

A loop of chain having cutting teeth that cut the wood, and that is driven by the motor and is supported by the guide bar.

## **Spiked Bumper (Spike)**

The pointed tooth or teeth for use when felling or bucking to pivot the saw and maintain position while sawing.

## **Springpole**

A small tree (sapling) or limb that is bent or trapped under tension. It may "spring back" rapidly when cut, causing a dangerous situation.

## **Switch Trigger**

A device that when operated will complete or interrupt an electrical power circuit to the motor of the chain saw.

# FEATURES

## PRODUCT SPECIFICATIONS

Motor..... 18 Volt DC  
Bar Length..... 12 in.  
Chain oil tank capacity .....6.8 oz.

**NOTE:** This saw was designed for occasional light duty use and has some limitations as to what it can cut.

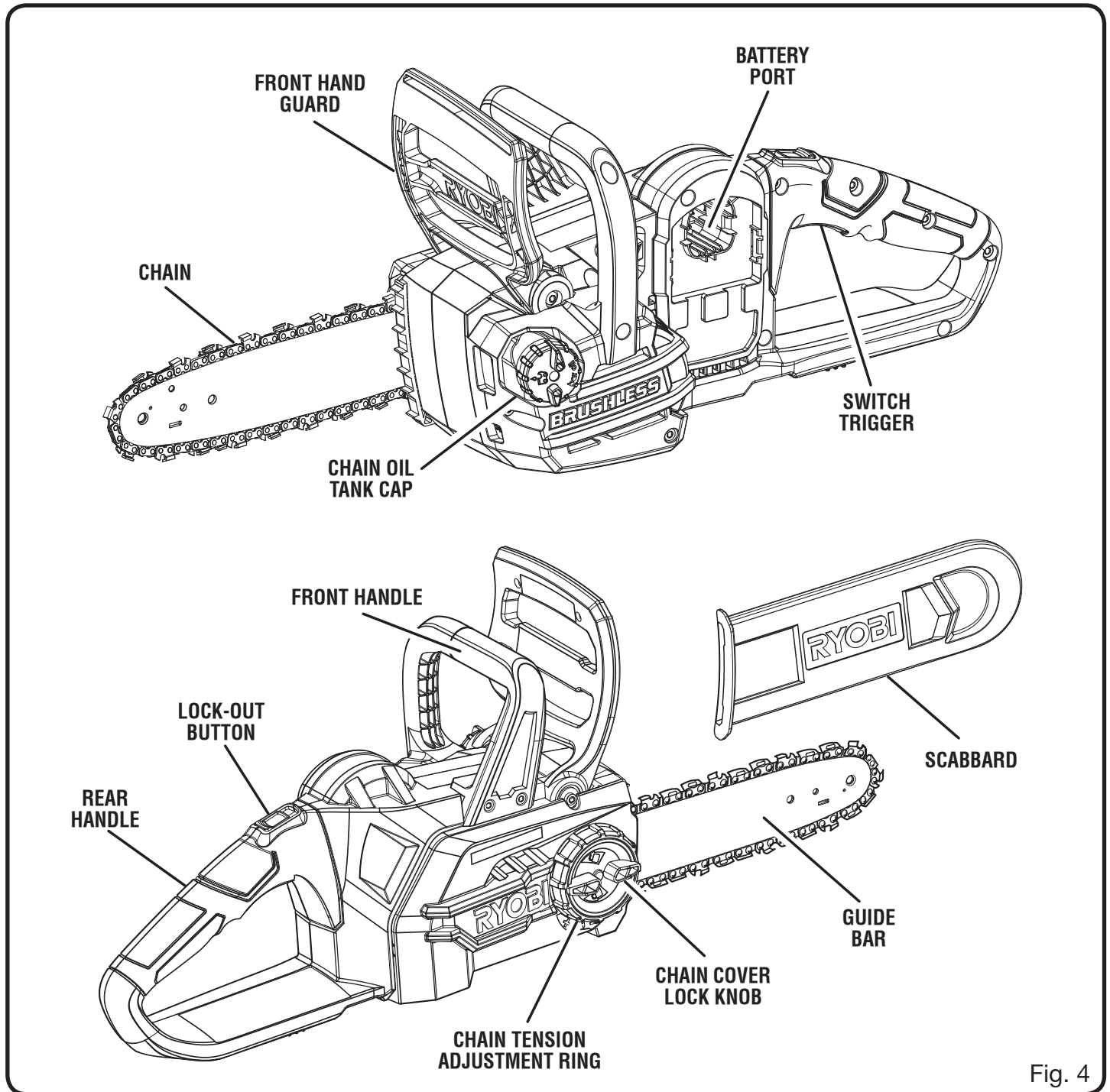


Fig. 4



# FEATURES

## **KNOW YOUR CHAIN SAW**

*See Figure 4.*

The safe use of this product requires an understanding of the information on the product and in this operator's manual as well as a knowledge of the project you are attempting. Before use of this product, familiarize yourself with all operating features and safety rules.

## **CHAIN TENSION ADJUSTMENT RING**

This feature allows user to adjust the tension of the chain.

## **GUIDE BAR**

The factory-equipped guide bar has a small radius tip that offers a somewhat lower kickback potential.

## **LOCK-OUT BUTTON**

A control feature designed to prevent the motor from being accidentally started.

## **LOW KICKBACK SAW CHAIN**

The low kickback saw chain helps minimize the force of a kickback reaction by preventing the cutters from digging in too deeply at the kickback zone.

## **SWITCH TRIGGER**

Squeeze the switch trigger to operate the unit after lock-out button has been pushed in. Release the switch trigger to stop the unit.

# ASSEMBLY

## UNPACKING

This product has been shipped completely assembled.

- Carefully remove the product and any accessories from the box. Make sure that all items listed in the packing list are included.

### **WARNING:**

Do not use this product if it is not completely assembled or if any parts appear to be missing or damaged. Use of a product that is not properly and completely assembled could result in serious personal injury.

- Inspect the product carefully to make sure no breakage or damage occurred during shipping.
- Do not discard the packing material until you have carefully inspected and satisfactorily operated the product.
- If any parts are damaged or missing, please call 1-800-860-4050 for assistance.

## PACKING LIST

Chain Saw with Scabbard  
Operator's Manual

### **WARNING:**

If any parts are damaged or missing do not operate this product until the parts are replaced. Use of this product with damaged or missing parts could result in serious personal injury.

### **WARNING:**

Do not attempt to modify this product or create accessories not recommended for use with this product. Any such alteration or modification is misuse and could result in a hazardous condition leading to possible serious personal injury.

### **WARNING:**

To prevent accidental starting that could cause serious personal injury, always remove the battery pack from the product when assembling parts.

# OPERATION

### **DANGER:**

Never cut near power lines, electric cords, or other electric sources. If bar and chain jams on any electrical cord or line, **DO NOT TOUCH THE BAR OR CHAIN! THEY CAN BECOME ELECTRICALLY LIVE AND VERY DANGEROUS.** Continue to hold the chain saw by the insulated rear handle or lay it down and away from you in a safe manner. Disconnect the electrical service to the damaged line or cord before attempting to free the bar and chain from the line or cord. Contact with the bar, chain, other conductive parts of the chain saw, or live electric cords or lines will result in death by electrocution, electric shock, or serious personal injury.

### **WARNING:**

Do not allow familiarity with this product to make you careless. Remember that a careless fraction of a second is sufficient to inflict serious injury.

### **WARNING:**

Always wear eye protection with side shields marked to comply with ANSI Z87.1, along with hearing and head protection. Failure to do so could result in objects being thrown into your eyes resulting in possible serious injury.

# OPERATION

## **⚠ WARNING:**

Do not use any attachments or accessories not recommended by the manufacturer of this product. The use of attachments or accessories not recommended can result in serious personal injury.

## **⚠ WARNING:**

Never fell a tree or cut a log or limb that has a diameter greater than the length of the guide bar. Only properly trained professionals should perform these cuts. Performing these types of cuts can cause an accident and result in death or serious personal injury.

## **NOTICE:**

Before each use, inspect the entire product for damaged, missing, or loose parts such as screws, nuts, bolts, caps, etc. Tighten securely all fasteners and caps and do not operate this product until all missing or damaged parts are replaced. Please contact customer service or an authorized service center for assistance.

## **APPLICATIONS**

You may use this product for the following purposes:

- Limbing and pruning branches from trees
- Felling small trees
- Bucking the fallen tree into shorter lengths

This product will accept RYOBI™ ONE+™ 18 V lithium-ion battery packs and RYOBI™ ONE+™ 18 V nickel-cadmium battery packs.

For complete charging instructions, refer to the Operator's Manual for your RYOBI™ ONE+™ battery pack and charger models.

## **TO INSTALL/REMOVE BATTERY PACK**

See Figure 5.

## **⚠ WARNING:**

Always remove battery pack from your tool when you are assembling parts, making adjustments, cleaning, carrying, transporting or when not in use. Removing battery pack will prevent accidental starting that could cause serious personal injury.

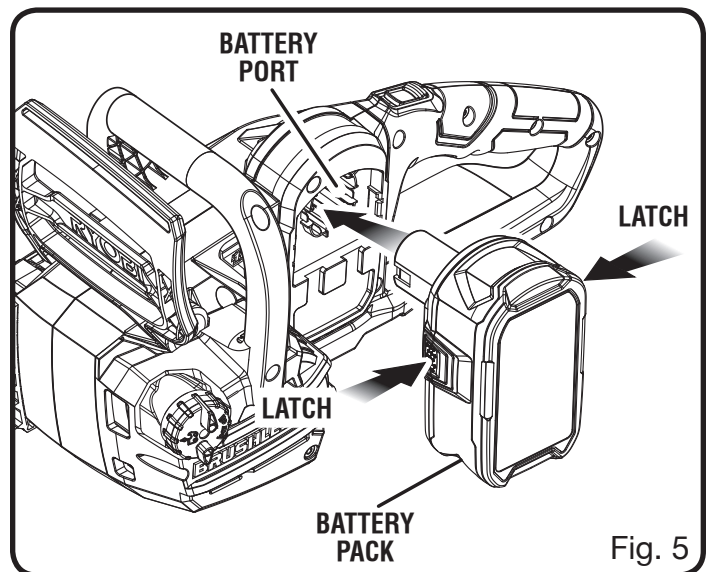
**NOTE:** To avoid serious personal injury, always remove the battery pack and keep hands clear of the look-out button when carrying or transporting the tool.

### **To install:**

- Place the battery pack in your chain saw. Align raised rib on battery pack with groove in chain saw's battery port.
- Make sure the latches on each side of the battery pack snap in place and that battery pack is secured in chain saw before beginning operation.

### **To remove:**

Locate latches on side of battery pack and depress both sides to release the battery pack from the chain saw.



# OPERATION

## NOTICE:

When placing battery pack in your chain saw, be sure raised rib on battery pack aligns with groove in chain saw's battery port and latches snap in place properly. Improper assembly of battery pack can cause damage to internal components.

## CHAIN LUBRICATION SYSTEM

See Figure 6.

## NOTICE:

Remove battery pack from unit. Fill oil tank with Ryobi Bar and Chain Lubricant before starting the chain saw. Failure to lubricate the chain will cause damage to the bar and chain.

- Use RYOBI Bar and Chain Lubricant. It is formulated to perform over a wide temperature range with no dilution required.

**NOTE:** Do not use dirty, used or otherwise contaminated lubricants. Damage may occur to the bar or chain.

- Turn saw on its side and remove chain oil tank cap.
- Carefully pour the bar and chain lubricant into the tank.
- Wipe off excess lubricant.
- Check and fill the oil tank when battery is recharged, or as needed.

**NOTE:** It is normal for lubricant to seep from the saw when not in use. To prevent seepage, empty the oil tank after each use. When storing the unit for a long period of time (three months or longer) be sure the chain is lightly lubricated; this will prevent rust on the chain and bar sprocket.

## NOTICE:

Before each use, check to make sure that the chain is properly tensioned. A cold chain is correctly tensioned when there is no slack on the underside of the guide bar, the chain is snug, and it can be turned by hand without binding. During normal saw operation, the temperature of the chain increases. The drive links of a correctly tensioned warm chain will hang approximately .050 in. out of the bar groove.

See the **Adjusting the Chain Tension** instructions in the *Maintenance* section of this manual to properly adjust the chain tension.

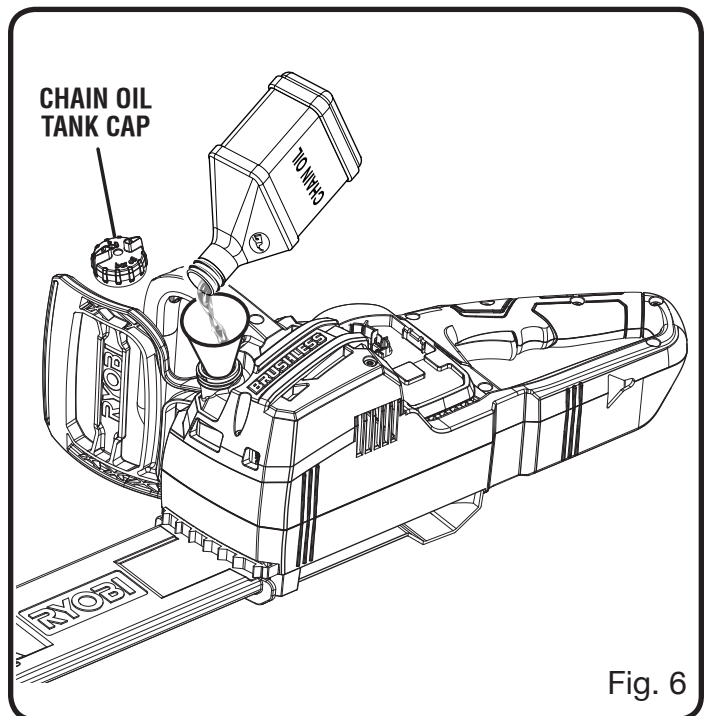


Fig. 6

# OPERATION

## STARTING AND STOPPING THE CHAIN SAW

See Figure 7.

### **⚠ WARNING:**

Keep body to the left of the chain line. Never straddle the saw or chain, or lean over past the chain line.

### **Starting the chain saw:**

- Press and hold the lock-out button. This makes the switch trigger operational.
- Press and hold the switch trigger, release the lock-out button and continue to squeeze the switch trigger for continued operation.

### **Stopping the chain saw:**

- Release the switch trigger to stop the chain saw.
- Upon release of the switch trigger, the lock-out button will be automatically reset to the lock position.

This cordless chain saw is designed for limbing and pruning type cutting, as well as cutting trees up to 10 in. in diameter only.

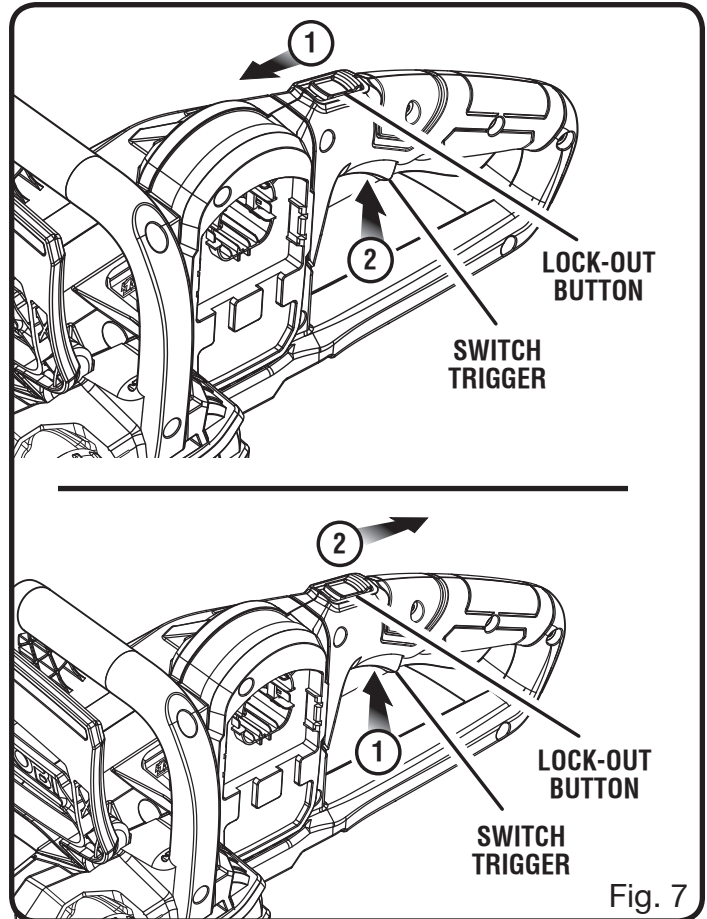


Fig. 7

# OPERATION

## PREPARATION FOR CUTTING PROPER GRIP ON HANDLES

See Figures 8 - 10.

Refer to *Chain Saw Safety Warnings* earlier in this manual for appropriate safety equipment.

- Wear non-slip gloves for maximum grip and protection.
- Hold the saw firmly with both hands. Always keep your left hand on the front handle and your right hand on the rear handle so that your body is to the left of the chain line.

### **⚠ WARNING:**

Never use a left-handed (cross-handed) grip, or any stance which would place your body or arm across the chain line.

- Maintain a proper grip on the saw whenever the unit is running. The fingers should encircle the handle and the thumb is wrapped under the handlebar. This grip is least likely to be broken (by a kickback or other sudden reaction of the saw). Any grip in which the thumb and fingers are on the same side of the handle, is dangerous because a slight kick of the saw can cause loss of control.

### **⚠ WARNING:**

Do not operate the switch trigger with your left hand and hold the front handle with your right hand. Never allow any part of your body to be in the chain line while operating a saw. Improper operation of the chain saw could result in serious personal injury.

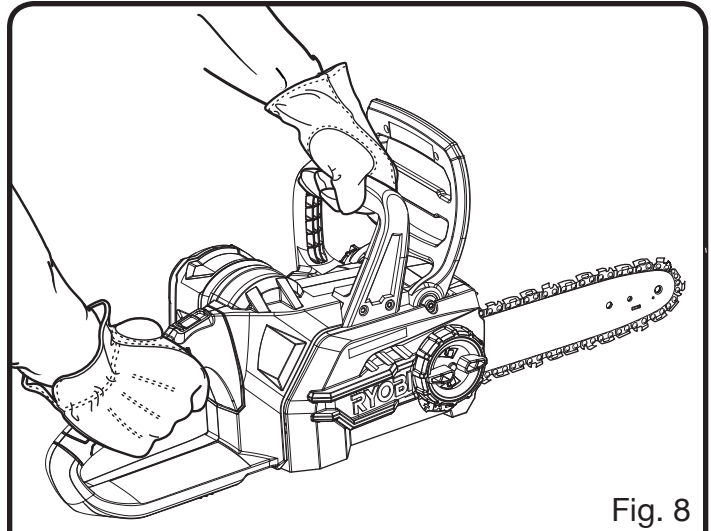


Fig. 8

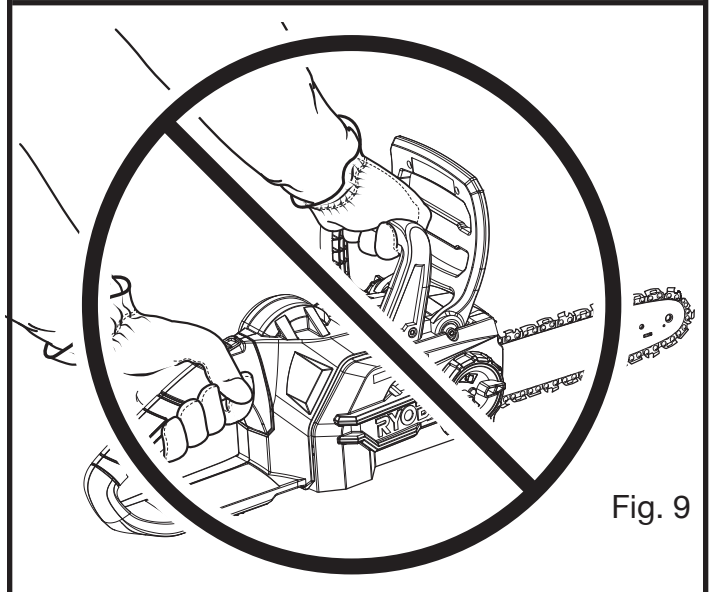


Fig. 9

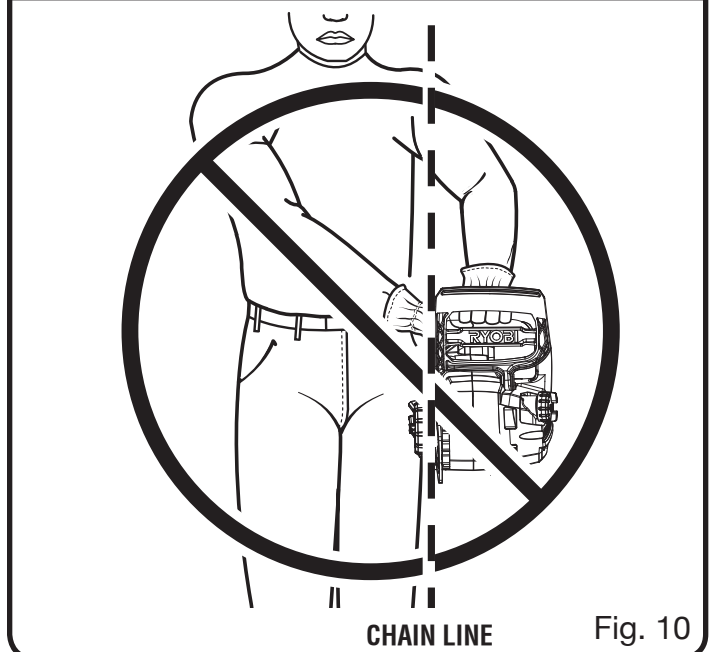


Fig. 10

# OPERATION

## PROPER CUTTING STANCE

See Figure 11 - 12.

### **⚠ WARNING:**

Always use the proper cutting stance described in this section. Never kneel when using the chain saw except when felling a tree as shown in figure 12. Kneeling could result in loss of stability and control of the saw resulting in serious personal injury.

- Weight should be balanced with both feet on solid ground.
- Keep left arm with elbow locked in a “straight arm” position to withstand any kickback force.
- Your body should always be to the left of the chain line.
- Thumb should be on underside of handlebar.

## BASIC CUTTING PROCEDURE

Practice cutting a few small logs using the following technique to get the “feel” of using the saw before you begin a major sawing operation.

- Take the proper stance in front of the wood with the saw off.
- Squeeze the switch trigger and let the chain accelerate to full speed before entering the cut.
- Begin cutting with the saw against the log.
- Keep the unit running the entire time you are cutting, maintain a steady speed.
- Allow the chain to cut for you; exert only light downward pressure. If you force the cut, damage to the bar, chain, or unit can result.
- Release the switch trigger as soon as the cut is completed, allowing the chain to stop. If you run the saw without a cutting load, unnecessary wear can occur to the chain, bar, and unit.
- Do not put pressure on the saw at the end of cut.

## WORK AREA PRECAUTIONS

- Cut only wood or materials made from wood, no sheet metal, no plastics, no masonry, no non-wood building materials.
- Never allow children to operate the saw. Allow no person to use this chain saw who has not read this Operator’s Manual or received ade-

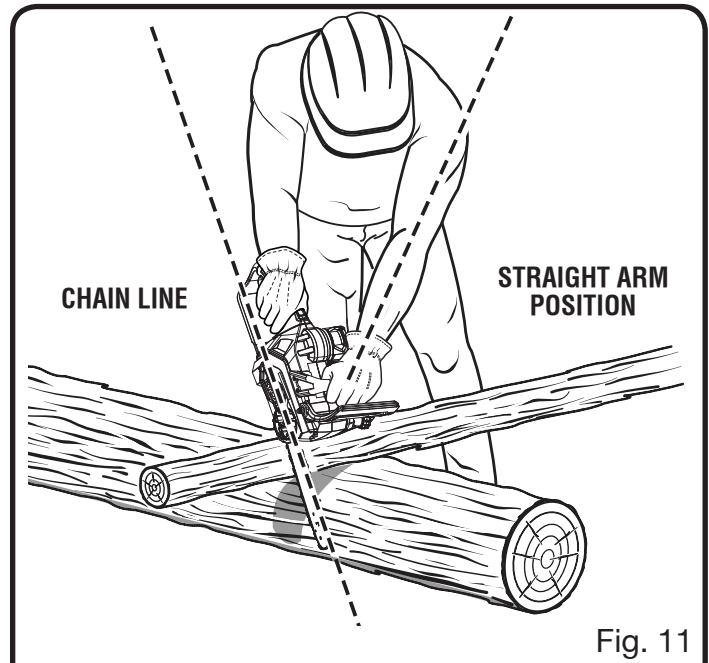


Fig. 11



Fig. 12

quate instructions for the safe and proper use of this chain saw.

- When felling a tree, keep everyone - helpers, bystanders, children, and animals - a safe distance from the cutting area. During felling operations, the safe distance should be a least twice the height of the largest trees in the felling area. During bucking operations, keep a minimum distance of 15 feet between workers. Trees should not be felled in a manner that would endanger any person, strike any utility line or cause any property damage. If the tree does make contact with any utility line, the utility company should be notified immediately.
- Always cut with both feet on solid ground to prevent being pulled off balance.
- Do not cut above chest height, as a saw held higher is difficult to control against kickback forces.

# OPERATION

- Do not fell trees near electrical wires or buildings. Leave this operation for professionals.
- Cut only when visibility and light are adequate for you to see clearly.

## FELLING TREES

See Figures 13 - 16.

## HAZARDOUS CONDITIONS

### **⚠ WARNING:**

Do not fell trees during periods of high wind or heavy precipitation. Wait until the hazardous weather has ended.

### **⚠ WARNING:**

Closely check for broken or dead branches, which could fall while cutting and do not cut near buildings or electrical wires if you do not know the direction of tree fall. Do not cut at night or during bad weather conditions, such as rain, snow, or strong winds, which can reduce visibility and control of the chain saw. If the tree you are felling makes contact with any utility line, you should discontinue use of the chain saw and immediately notify the utility company. Failure to follow these instructions could result in death or serious personal injury.

When felling a tree, it is important that you follow these warnings and instructions to prevent possible serious injury.

- Do not cut down trees having an extreme lean or large trees with rotten limbs, loose bark, or hollow trunks. Have these trees pushed or dragged down with heavy equipment, then cut them up.
- Do not cut trees near electrical wires or buildings.
- Check the tree for damaged or dead branches that could fall and hit you during felling.
- Periodically glance at the top of the tree during the backcut to assure the tree is going to fall in the desired direction.
- If the tree starts to fall in the wrong direction, or if the saw gets caught or hung up during the fall, leave the saw and save yourself!

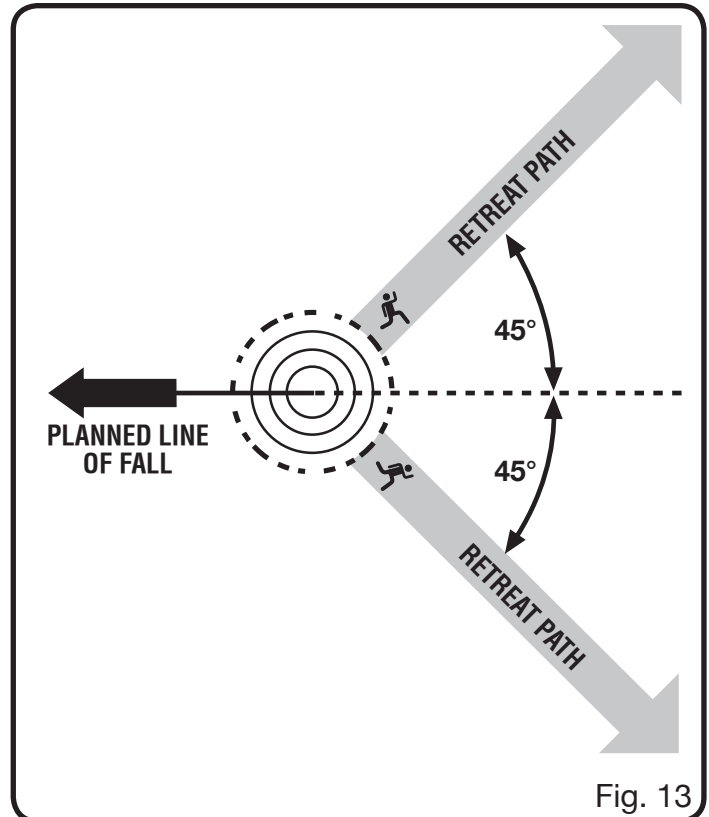


Fig. 13

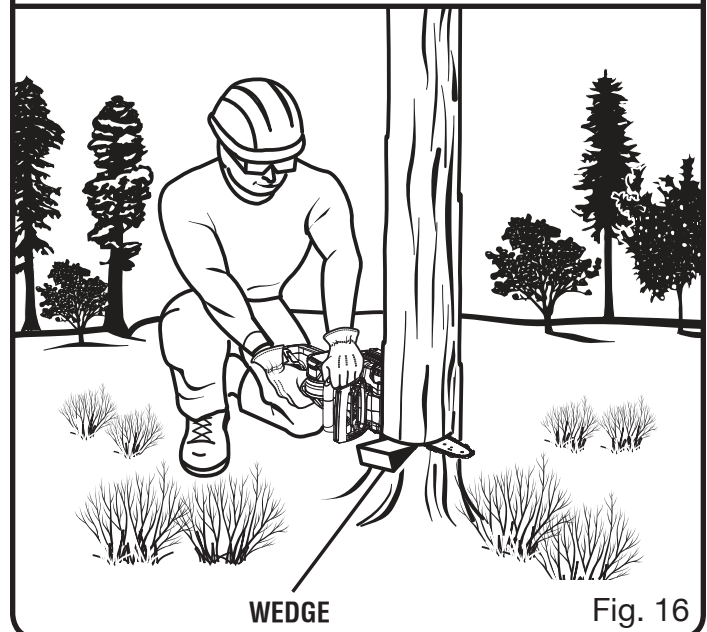
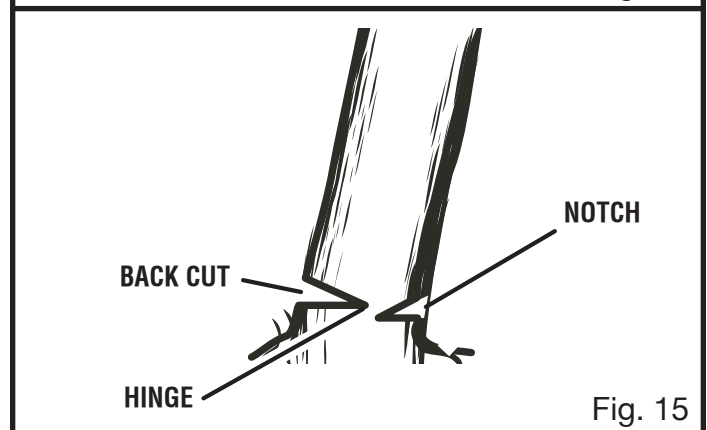
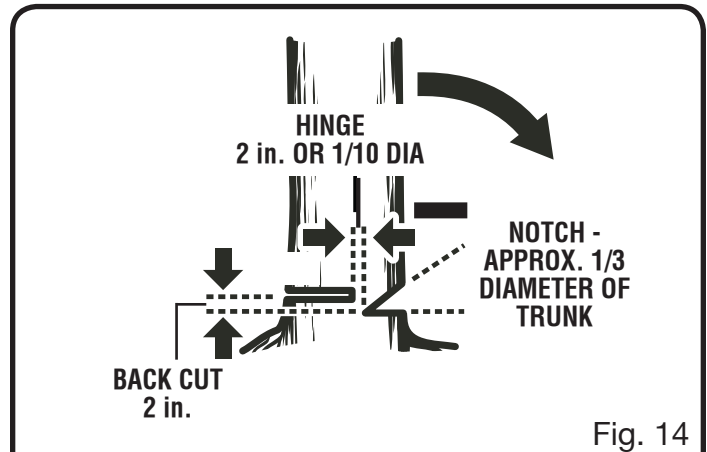
- Felling a tree - When bucking and felling operations are being performed by two or more persons, at the same time, the felling operation should be separated from the bucking operation by a distance of at least twice the height of the tree being felled. Trees should not be felled in a manner that would endanger any person, strike any utility line or cause any property damage. If the tree does make contact with any utility line, the utility company should be notified immediately.
- Before any cuts are started, pick your escape route (or routes in case the intended route is blocked); clear the immediate area around the tree and make sure there are no obstructions in your planned path of retreat. Clear paths of safe retreat should extend back and diagonally (45°) to the rear of the planned line of fall. When the tree begins to fall, you should retreat away from the direction of fall along a retreat path and at least 20 feet away from the trunk in case it kicks back over the stump. See Figure 13.
- Before felling is started, consider the force and direction of the wind, the lean and balance of the tree, and the location of large limbs. These things influence the direction in which the tree



## OPERATION

will fall. Do not try to fell a tree along a line different from its natural line of fall.

- The chain saw operator should keep on the uphill side of the terrain as the tree is likely to roll or slide downhill after it is felled.
- Remove dirt, stones, loose bark, nails, staples, and wire from the tree where felling cuts are to be made.
- **Notched Undercut.** Cut a notch about 1/3 the diameter of the tree, perpendicular to the direction of fall. Make the cuts of the notch so they intersect at a right angle to the line of fall. This notch should be cleaned out to leave a straight line. To keep the weight of the wood off the saw, always make the lower cut of the notch before the upper cut. See Figure 14.
- **Felling Backcut.** The backcut is always made level and horizontal, and at a minimum of 2 in. above the horizontal cut of the notch. See Figures 14 - 15.
- Never cut through to the notch. Always leave a band of wood between the notch and backcut (approximately 2 in. or 1/10 the diameter of the tree). This is called “hinge” or “hingewood.” It controls the fall of the tree and prevents slipping or twisting or shoot-back of the tree off the stump. See Figures 14 - 15.
- On large diameter trees, stop the back cut before it is deep enough for the tree to either fall or settle back on the stump. Then insert soft wooden or plastic wedges into the cut so they do not touch the chain. The wedges can be driven in, little by little, to help jack the tree over. See Figure 16.
- As tree starts to fall, stop the chain saw and put it down immediately. Retreat along the cleared path, but watch the action in case something falls your way. Be alert for overhead limbs or branches that may fall and watch your footing.



### **⚠ WARNING:**

Never cut through to the notch when making a backcut. The hinge controls the fall of the tree, this is the section of wood between the notch and backcut.

# OPERATION

## REMOVING BUTTRESS ROOTS

See Figure 17.

A buttress root is a large root extending from the trunk of the tree above the ground. Remove large buttress roots prior to felling. Make the horizontal cut into the buttress first, followed by the vertical cut. Remove the resulting loose section from the work area. Follow the correct tree felling procedure as stated in **Felling Trees** after you have removed the large buttress roots.

## BUCKING

See Figures 18 - 21.

Bucking is the term used for cutting a fallen tree to the desired log length.

- Always make sure your footing is secure and your weight is distributed evenly on both feet.
- Cut only one log at a time.
- Support small logs on a saw horse or another log while bucking.
- Keep a clear cutting area. Make sure that no objects can contact the guide bar nose and chain during cutting, this can cause kickback. Refer to **Kickback** earlier in this manual.
- When bucking on a slope, always stand on the uphill side of the log. To maintain complete control of the chain saw when cutting through the log, release the cutting pressure near the end of the cut without relaxing your grip on the chain saw handles. Do not let the chain contact the ground. After completing the cut, wait for the saw chain to stop before you move the chain saw. Always stop the motor before moving from tree to tree.
- Sometimes it is impossible to avoid pinching (with just standard cutting techniques) or difficult to predict which way a log will settle when cut. To avoid pinching while cutting, rotate or move the log so that the pinch is eliminated.

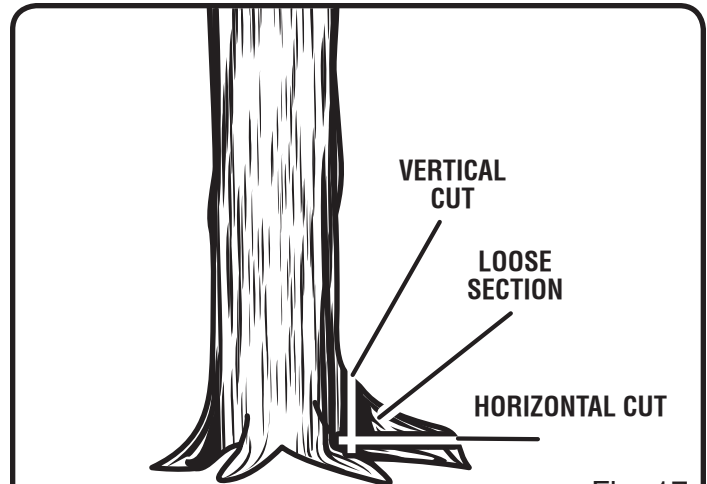


Fig. 17

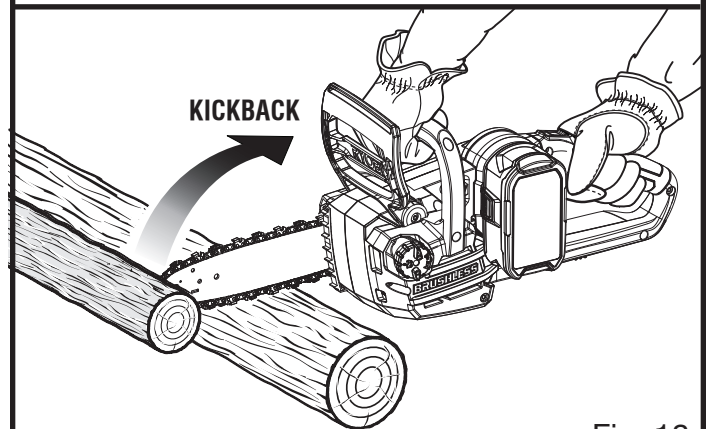


Fig. 18

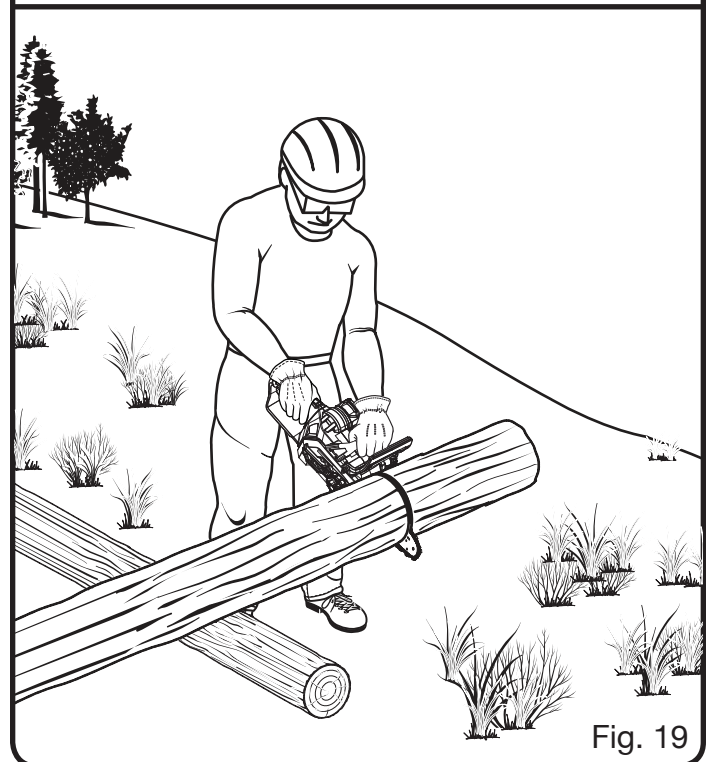


Fig. 19

# OPERATION

## BUCKING LOGS UNDER STRESS

See Figures 20 - 21.

When the log is supported along its entire length, it should be cut from the top or overbuckling.

When the log is supported on one end, cut 1/3 the diameter from the underside or underbuckling. Then make the finishing cut by overbuckling to meet the first cut.

As the log is being cut, it will tend to bend. The saw can become pinched or hung in the log if you make the first cut deeper than 1/3 of the diameter of the log. Give special attention to logs under stress to prevent the bar and chain from pinching.

When bucking on a slope, always stand on the uphill side of the log as shown in figure 19. When “cutting through,” to maintain complete control of the chain saw, release the cutting pressure near the end of the cut without relaxing your grip on the chain saw handles. Do not let the chain contact the ground. After completing the cut, wait for the saw chain to stop before you move the chain saw. Always stop the motor before moving from tree to tree.

## TYPES OF CUTTING USED

See Figure 21.

### OVERBUCKING

Begin on the top side of the log with the bottom of the saw against the log; exert light pressure downward. Note that the saw will tend to pull away from you.

### UNDERBUCKING

Begin on the under side of the log with the top of the saw against the log; exert light pressure upward. During underbuckling, the saw will tend to push back at you. Be prepared for this reaction and hold the saw firmly to maintain control.

### LIMBING

See Figure 22.

#### **⚠ WARNING:**

Never climb into a tree to limb or prune. Do not stand on ladders, platforms, a log, or in any position which can cause you to lose your balance or control of the saw, which could result in death or other serious personal injury.

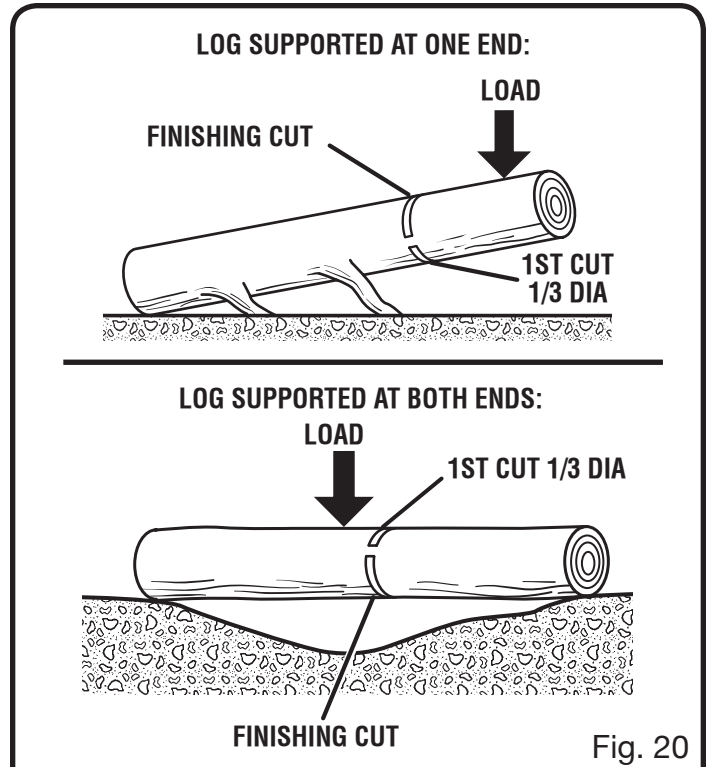


Fig. 20

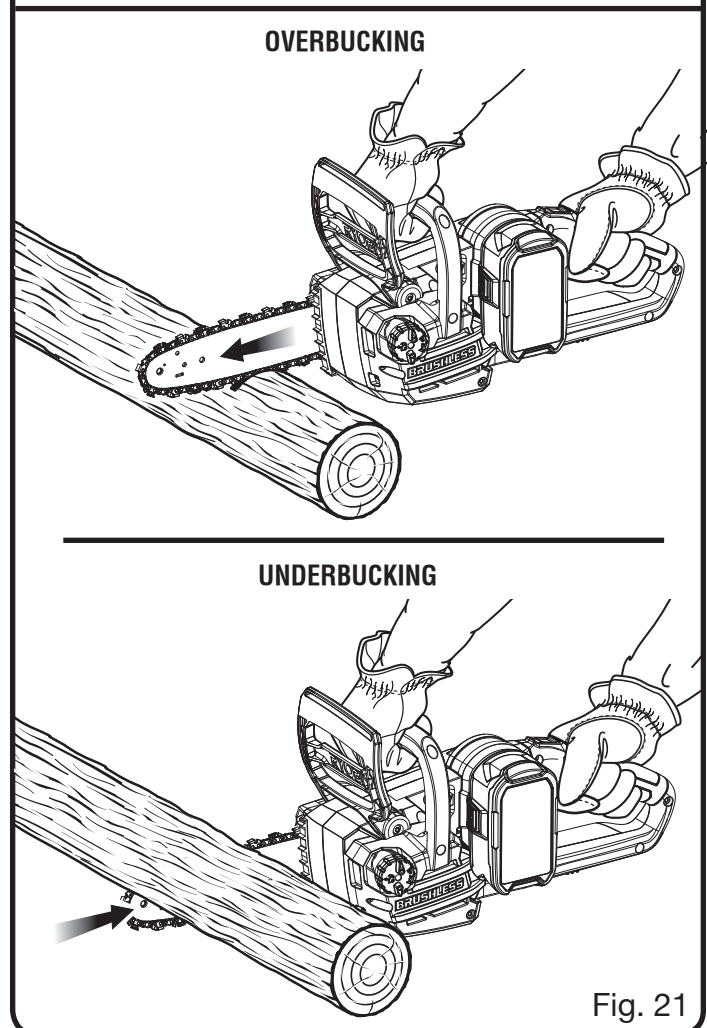


Fig. 21

## OPERATION

Limbing is removing branches from a fallen tree.

- Work slowly, keeping both hands on the chain saw with a firm grip. Always make sure your footing is secure and your weight is distributed evenly on both feet.
- Leave the larger support limbs under the tree to keep the tree off the ground while cutting.
- Limbs should be cut one at a time. Remove the cut limbs from the work area often to help keep the work area clean and safe.
- Branches under tension should be cut from the bottom up to avoid binding the chain saw.
- Keep the tree between you and the chain saw while limbing. Cut from the side of the tree opposite the branch you are cutting.

### PRUNING

See Figure 23.

Pruning is trimming limbs from a live tree.

- Work slowly, keeping both hands on the chain saw with a firm grip. Always make sure your footing is secure and your weight is distributed evenly on both feet.
- Do not cut from a ladder, this is extremely dangerous. Leave this operation for professionals.
- Do not cut above chest height as a saw held higher is difficult to control against kickback.
- When pruning trees it is important not to make the finishing cut next to the main limb or trunk until you have cut off the limb further out to reduce the weight. This prevents stripping the bark from the main member.
- Underbuck the branch 1/3 through for your first cut.
- Your second cut should overbuck to drop the branch off.
- Now make your finishing cut smoothly and neatly against the main member so the bark will grow back to seal the wound.

#### **⚠ WARNING:**

If the limbs to be pruned are above chest height, hire a professional to perform the pruning. Failure to do so could result in death or serious personal injury.

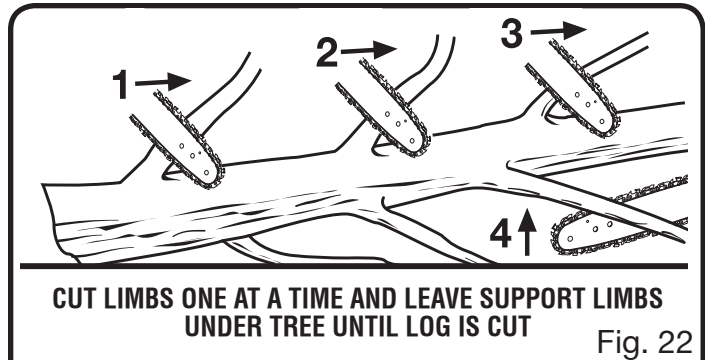


Fig. 22

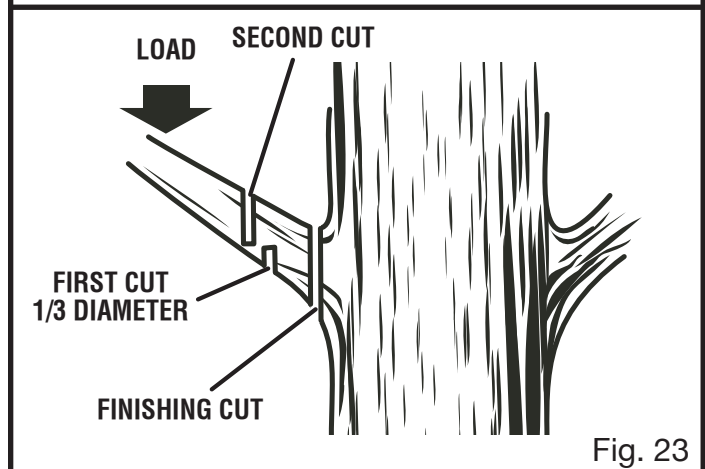


Fig. 23

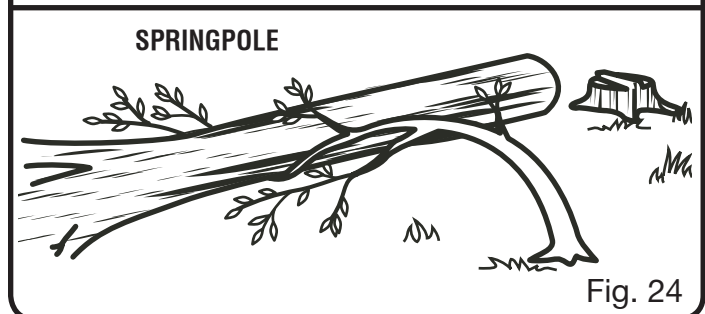


Fig. 24

### SPRINGPOLES

See Figure 24.

A springpole is any log, branch, rooted stump, or sapling which is bent under tension by other wood so that it springs back if the wood holding it is cut or removed. On a fallen tree, a rooted stump has a high potential of springing back to the upright position during the bucking cut to separate the log from the stump. Watch out for springpoles, they are dangerous.

#### **⚠ WARNING:**

Springpoles are dangerous and could strike the operator, causing the operator to lose control of the chain saw. This could result in severe or fatal injury to the operator.

# MAINTENANCE

## **WARNING:**

To avoid serious personal injury, always remove the battery pack from the product when cleaning or performing any maintenance.

## **WARNING:**

Always wear eye protection with side shields marked to comply with ANSI Z87.1, along with hearing and head protection. Failure to do so could result in objects being thrown into your eyes resulting in possible serious injury.

## **WARNING:**

When servicing, use only identical replacement parts. Use of any other parts could create a hazard or cause product damage.

## **NOTICE:**

Periodically inspect the entire product for damaged, missing, or loose parts such as screws, nuts, bolts, caps, etc. Tighten securely all fasteners and caps and do not operate this product until all missing or damaged parts are replaced. Please contact customer service or an authorized service center for assistance.

## **GENERAL MAINTENANCE**

Avoid using solvents when cleaning plastic parts. Most plastics are susceptible to damage from various types of commercial solvents and may be damaged by their use. Use clean cloths to remove dirt, dust, oil, grease, etc.

## **WARNING:**

Do not at any time let brake fluids, gasoline, petroleum-based products, penetrating oils, etc., come in contact with plastic parts. Chemicals can damage, weaken or destroy plastic which could result in serious personal injury.

## **REPLACING BAR AND CHAIN**

*See Figures 25 - 33.*

## **WARNING:**

Remove the battery pack from the chain saw and make sure the chain has stopped before you do any work on the saw. Failure to do so may result in accidental starting and possible serious injury.

## **WARNING:**

To avoid serious personal injury, read and understand all the safety instructions in this section.

## **WARNING:**

Never touch or adjust the chain while the motor is running. The saw chain is very sharp; always wear protective gloves when performing maintenance to the chain to avoid possible serious lacerations.

## **CAUTION:**

Always wear gloves when handling the bar and chain; these components are sharp and may contain burrs.

# MAINTENANCE

- Remove the battery pack before you do any work on the chain saw.
- Rotate the chain cover lock knob counterclockwise until chain cover can be removed.
- Remove the chain cover.
- Rotate the chain tension assembly completely counterclockwise.
- Remove the bar and chain from mounting surface.
- Remove the old chain from the bar.
- Remove the screw and chain tension assembly from the old bar.

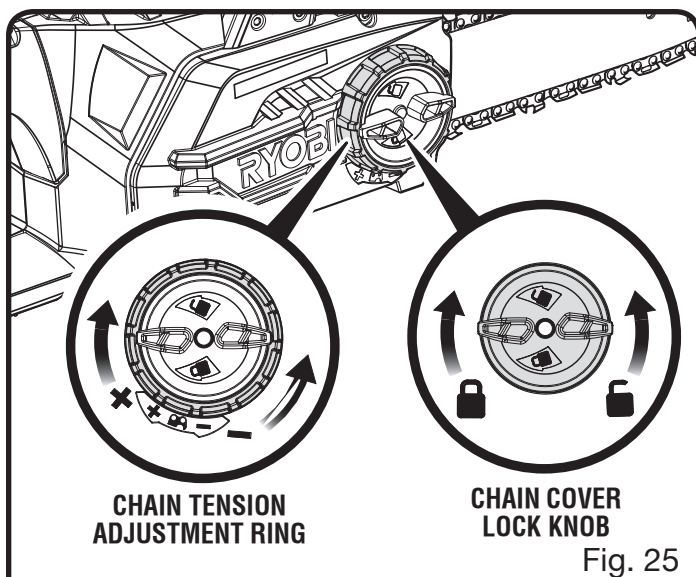


Fig. 25

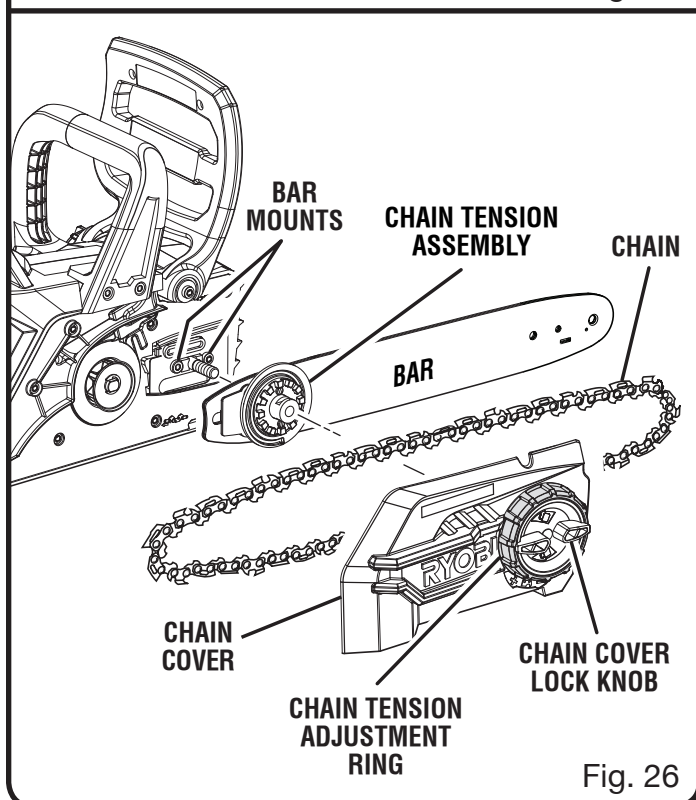


Fig. 26

- Install the chain tension assembly on the new bar by inserting the tab into one bar hole and installing the screw through the other. Tighten securely.
  - Lay out the new saw chain in a loop and straighten any kinks. The cutters should face in the direction of chain rotation. If they face the opposite direction, turn the loop over.
  - Place the chain drive links into the bar groove as shown.
- NOTE:** Make certain of direction of chain.
- Position the chain so there is a loop at the back of the bar.

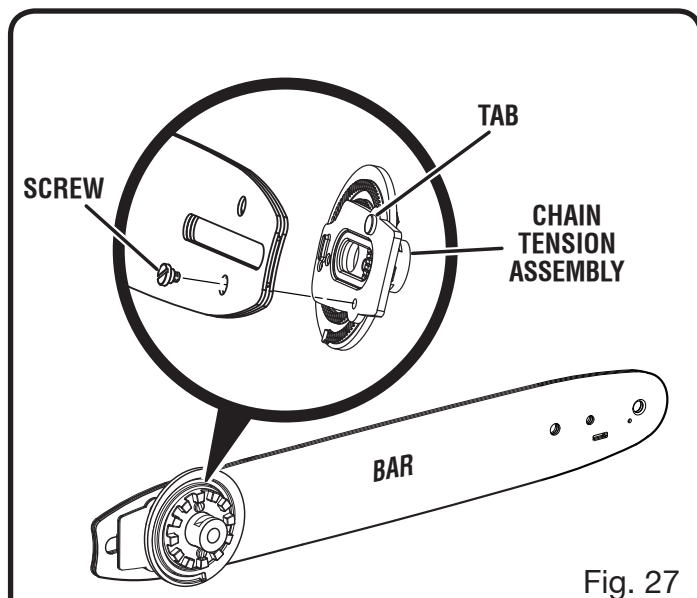


Fig. 27

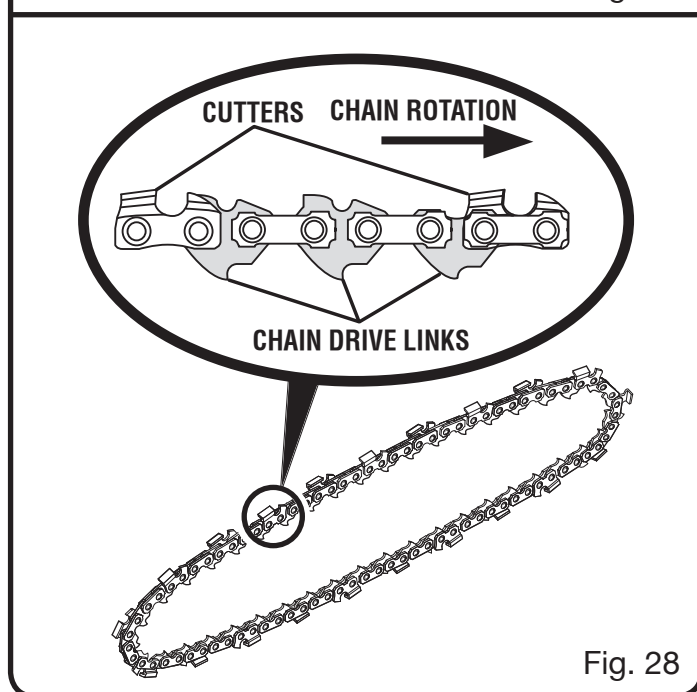


Fig. 28

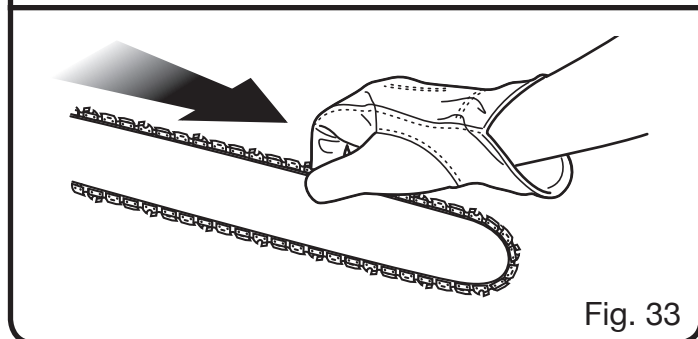
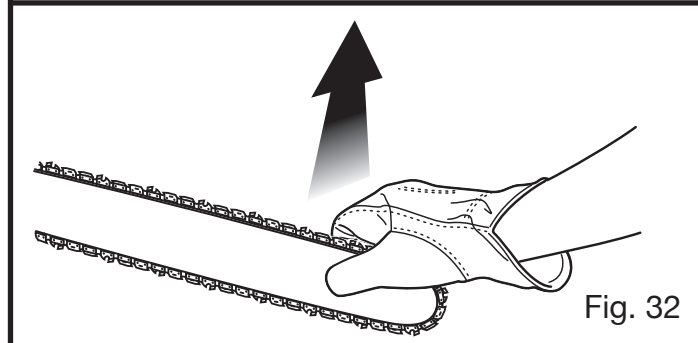
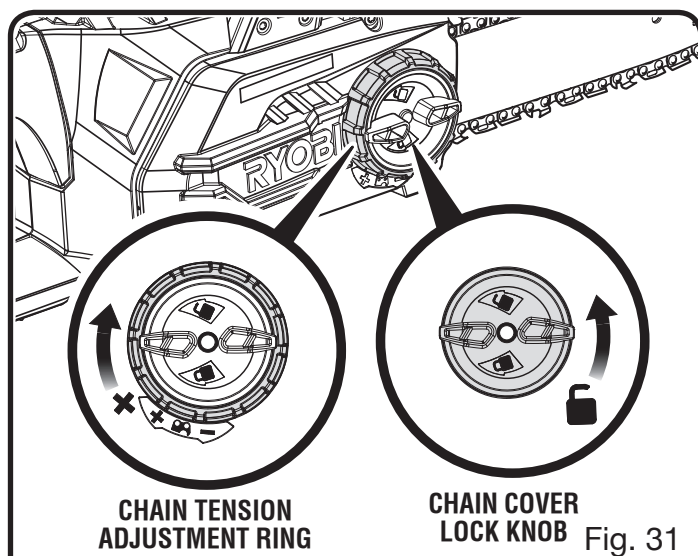
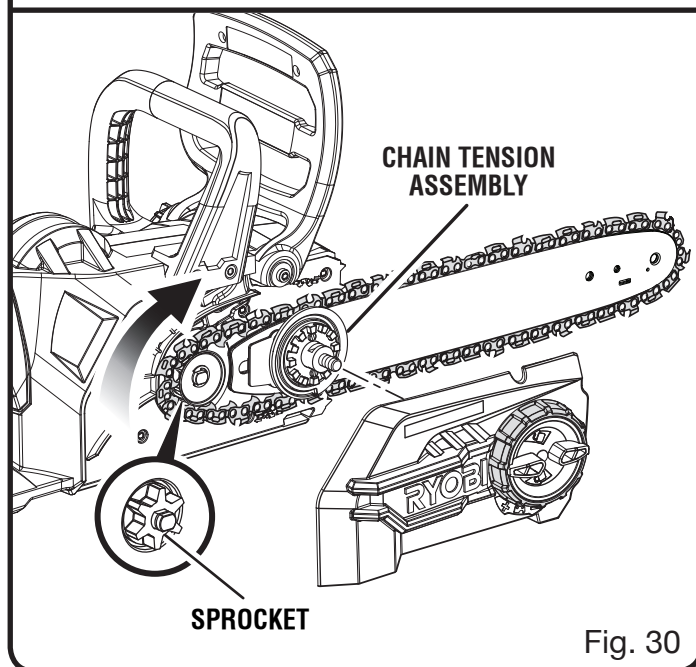
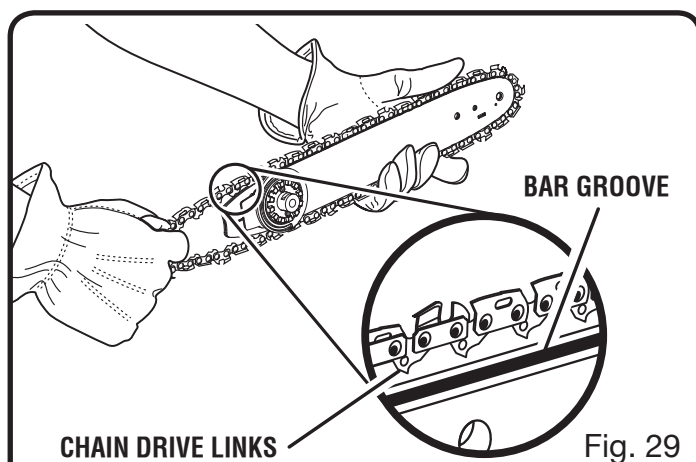
# MAINTENANCE

- Hold the chain in position on the bar and place the loop around the sprocket.
- Fit the bar flush against the mounting surface so that the bar mounts are in the long slot of the bar.
- Rotate the chain tension assembly clockwise a few turns to take up enough slack in the chain so it stays in position.
- Replace the chain cover.
- Rotate chain cover lock knob clockwise to tighten. The bar should still be free to move for tension adjustment.
- Remove all slack from the chain by turning the chain tension adjustment ring clockwise until the chain seats snugly against the bar with the drive links in the bar groove.
- Lift the tip of the guide bar up to check for sag.

- Release the tip of the guide bar and turn the chain tensioning knob 1/2 turn clockwise. Repeat this process until sag does not exist.
- Hold the tip of the guide bar up and tighten the chain cover lock knob.

The chain is correctly tensioned when there is no sag on the underside of the guide bar, the chain is snug, but it can be turned by hand without binding.

**NOTE:** If chain is too tight, it will not rotate. Loosen the chain cover lock knob slightly and turn the chain tension adjustment ring 1/4 turn counterclockwise. Lift the tip of the guide bar up and retighten the chain cover lock knob. Ensure that the chain will rotate without binding.



# MAINTENANCE

## ADJUSTING THE CHAIN TENSION

See Figures 34 - 35.

### **⚠ WARNING:**

Stop the motor and remove the battery pack. Never touch or adjust the chain while the motor is running. The saw chain is very sharp. Always wear protective gloves when performing maintenance on the chain. Failure to follow these instructions can result in serious personal injury.

- Stop the motor and remove battery pack before setting the chain tension.
- Slightly loosen the chain cover lock knob.
- Turn the chain tension adjustment ring clockwise to tension the chain.

**NOTE:** A cold chain is correctly tensioned when there is no slack on the underside of the guide bar, the chain is snug, and it can be turned by hand without binding.

- Rotate the chain cover lock knob clockwise to secure.

Retension the chain whenever the flats on the drive links hang out of the bar groove.

**NOTE:** During normal saw operation, the temperature of the chain increases. The drive links of a correctly tensioned warm chain will hang approximately .050 in. out of the bar groove.

**NOTE:** New chains tend to stretch; check the chain tension frequently and tension as required.

### **NOTICE:**

A chain tensioned while warm may be too tight upon cooling. Check the “cold tension” before next use.

## CHAIN MAINTENANCE

See Figures 36 - 37.

### **⚠ WARNING:**

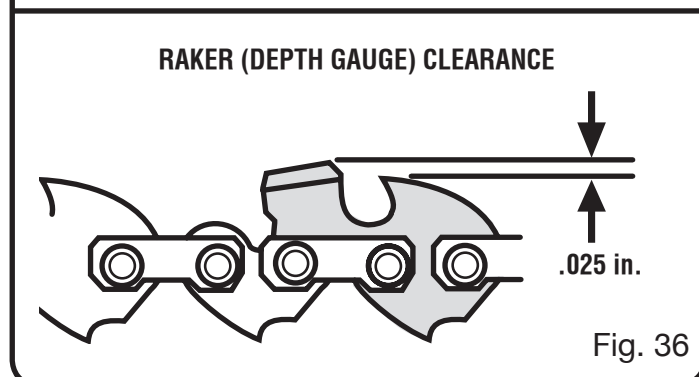
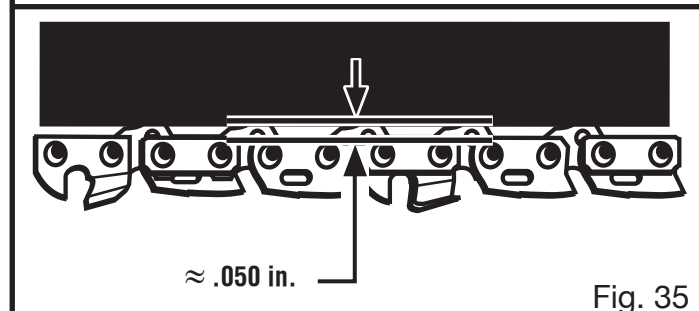
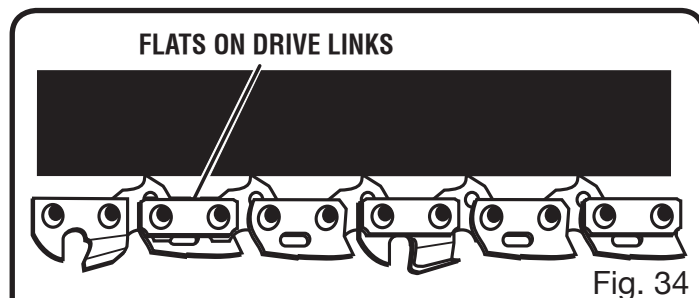
Remove the battery pack and make sure the chain has stopped before you do any work on the saw to avoid accidental starting and possible serious personal injury.

Use only low-kickback chain on this saw. This fast-cutting chain will provide kickback reduction when properly maintained.

For smooth and fast cutting, chain needs to be maintained properly.

The chain requires sharpening when the wood chips are small and powdery, the chain must be forced through the wood during cutting, or the chain cuts to one side. During maintenance of your chain, consider the following:

- Improper filing angle of the side plate can increase the risk of a severe kickback.
- Raker (depth gauge) clearance.
  - Too low increases the potential for kickback.
  - Not low enough decreases cutting ability.
- If cutter teeth have hit hard objects such as nails and stones, or have been abraded by mud or sand on the wood, have service dealer sharpen chain.





# MAINTENANCE

**NOTE:** Inspect the drive sprocket for wear or damage when replacing the chain. If signs of wear or damage are present in the areas indicated, have the drive sprocket replaced by a Ryobi Service dealer.

## HOW TO SHARPEN THE CUTTERS

See Figures 38 - 40.

**NOTE:** If you do not fully understand the correct procedure for sharpening the chain after reading the instructions that follow, have the saw chain sharpened by a Ryobi Service dealer or replace with a recommended low-kickback chain. Be careful to file all cutters to the specified angles and to the same length, as fast cutting can be obtained only when all cutters are uniform.

### **⚠ WARNING:**

The saw chain is very sharp, always wear protective gloves when performing maintenance to the chain to prevent serious personal injury.

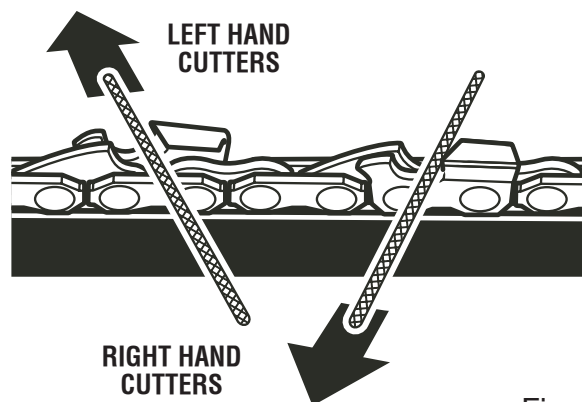
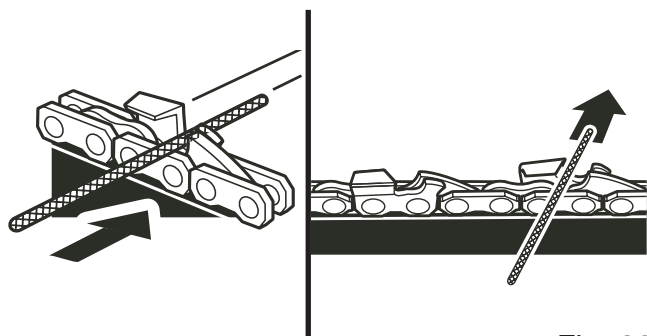
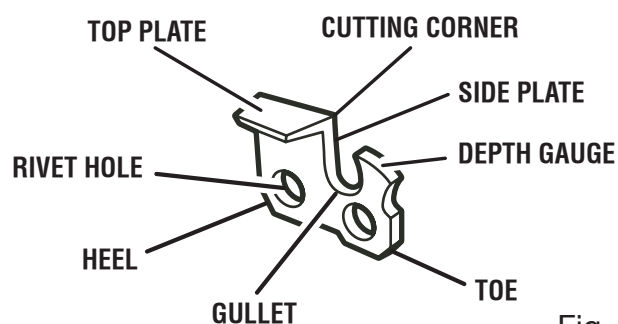
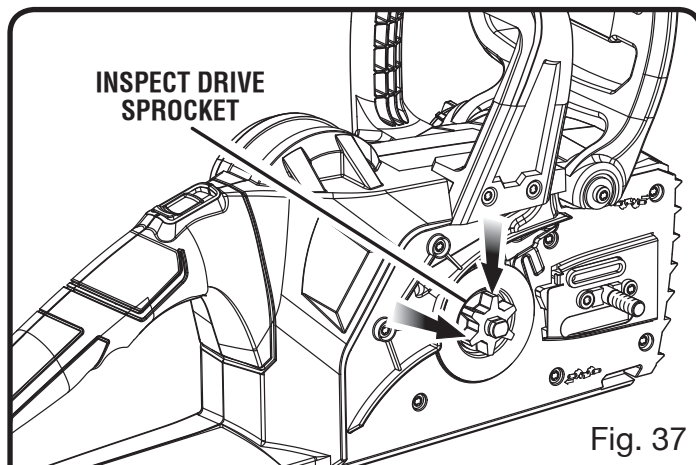
- Properly tension the chain prior to sharpening. Refer to **Adjusting the chain tension** section earlier in this manual. Do all of your filing at the mid-point of the bar.
- Use a 5/32 in. diameter round file and holder.
- Keep the file level with the top plate of the tooth. Do not let the file dip or rock.
- Using light but firm pressure, stroke towards the front corner of the tooth.
- Lift file away from the steel on each return stroke.
- Put a few firm strokes on every tooth. File all left hand cutters in one direction. Then move to the other side and file the right hand cutters in the opposite direction. Occasionally remove filings from the file with a wire brush.

### **⚠ WARNING:**

Improper chain sharpening increases the potential of kickback, which can result in serious personal injury.

### **⚠ WARNING:**

Failure to replace or repair damaged chain can cause serious injury.



# MAINTENANCE

## TOP PLATE FILING ANGLE

See Figure 41.

- **CORRECT 30°** - File holders are marked with guide marks to align file properly to produce correct top plate angle.
- **LESS THAN 30°** - For Cross Cutting.
- **MORE THAN 30°** - Feathered Edge Dulls Quickly.

## SIDE PLATE ANGLE

See Figure 42.

- **CORRECT - 80°** Produced automatically if correct diameter file is used in file holder.
- **HOOK** - "Grabs" and dulls quickly. Increases potential of **KICKBACK**. Results from using a file with diameter too small, or file held too low.
- **BACKWARD SLOPE** - Needs too much feed pressure, causes excessive wear to bar and chain. Results from using a file with diameter too large, or file held too high.

## DEPTH GAUGE CLEARANCE

See Figure 43 - 45.

- The depth gauge should be maintained at a clearance of .025 in. Use a depth gauge tool for checking the depth gauge clearances.
- Every time the chain is filed, check the depth gauge clearance.

Use a flat file and a depth gauge jointer to lower all gauges uniformly. Depth gauge jointers are available in .020 in. to .035 in. Use a .025 in. depth gauge jointer. After lowering each depth gauge, restore original shape by rounding the front. Be careful not to damage adjoining drive links with the edge of the file.

Depth gauges must be adjusted with the flat file in the same direction the adjoining cutter was filed with the round file. Use care not to contact cutter face with flat file when adjusting depth gauges.

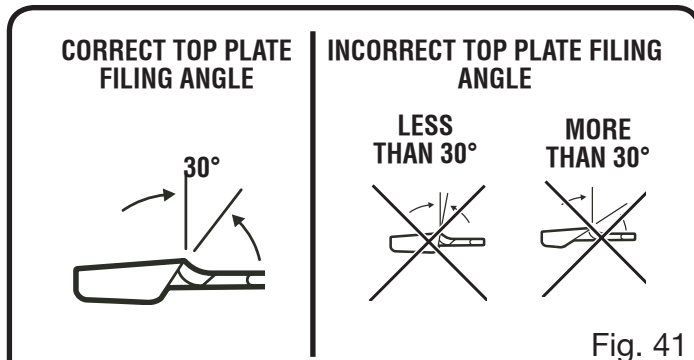


Fig. 41

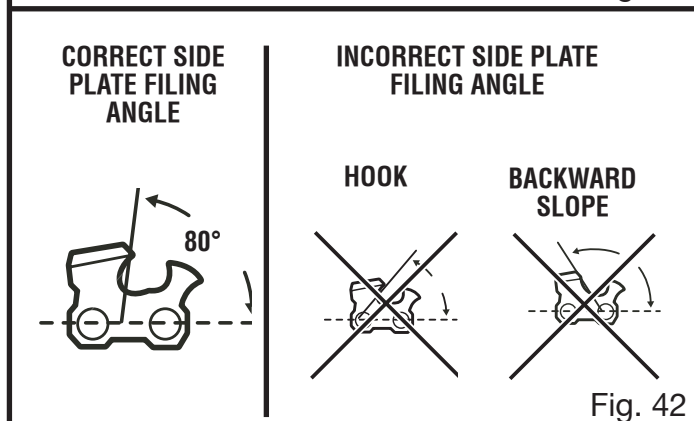


Fig. 42

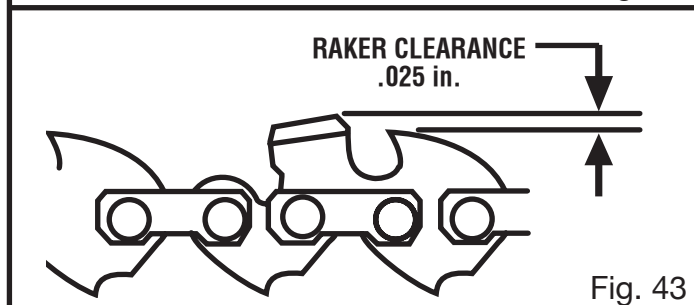


Fig. 43

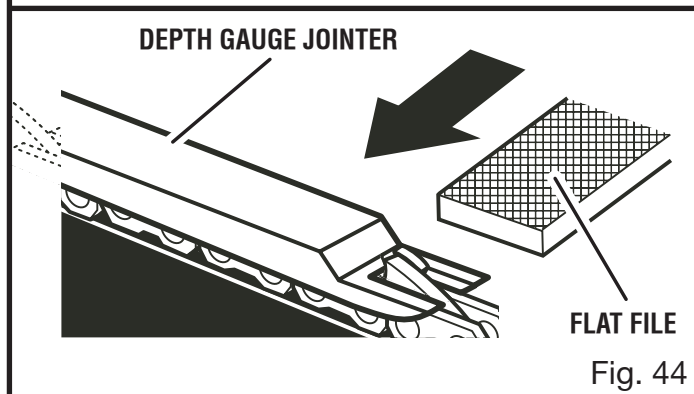


Fig. 44

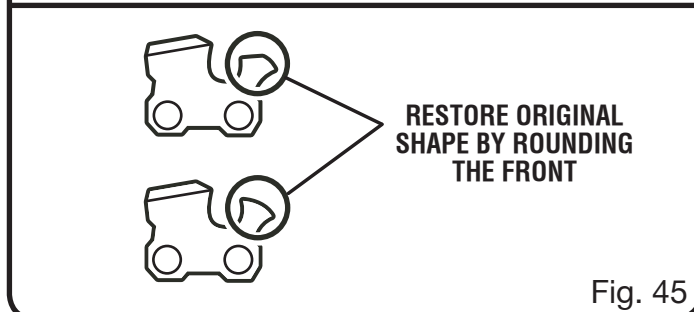


Fig. 45

# MAINTENANCE

## MAINTAINING THE GUIDE BAR

When the guide bar shows signs of wear, reverse it on the saw to distribute the wear for maximum bar life. The bar should be cleaned every day of use and checked for wear and damage.

Feathering or burring of the bar rails is a normal process of bar wear. Such faults should be smoothed with a file as soon as they occur.

A bar with any of the following faults should be replaced.

- Wear inside the bar rails which permits the chain to lay over sideways.
- Bent guide bar.
- Cracked or broken rails.
- Spread rails.

Lubricate guide bars with a sprocket at their tip weekly. Using a grease syringe, lubricate weekly in the lubricating hole. Turn the guide bar and check that the lubrication holes and chain groove are free from impurities.

**NOTE:** Do not replace the screw with an ordinary screw. Use only identical replacement parts from the manufacturer when replacing parts.

## TRANSPORTING AND STORING

See Figure 46.

- Do not store or transport the chain saw when it is running. The chain saw should always be idle before storing or transporting.
- Always place the guide bar scabbard on the bar and chain before storing or transporting the chain saw. Use caution to avoid the sharp teeth of the chain.
- Clean the chain saw thoroughly before storing. Store the chain saw indoors, in a dry place that is locked and/or inaccessible to children.
- Keep away from corrosive agents such as garden chemicals and de-icing salts.

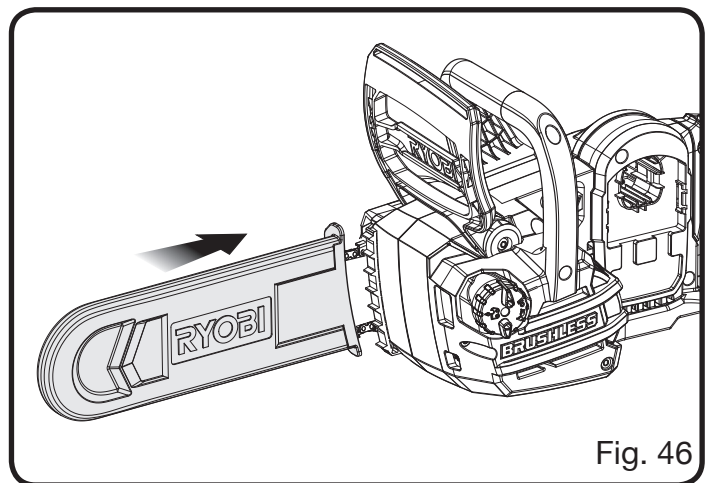


Fig. 46

## BAR AND CHAIN COMBINATIONS

**Chain specifications:** 3/8 in. pitch, low profile narrow kerf, .043 in. chain gauge, 5-tooth drive sprocket.

Length of Bar	Guide Bar Part Number	Chain Part Number	Drive Links
12 in.	312637001	682117001	45

# TROUBLESHOOTING

Problem	Possible Cause	Solution
Bar and chain running hot and smoking.	Check chain tension for over tight condition. Chain oil tank empty.	Tension chain. Refer to <b>Adjusting Chain Tension</b> earlier in this manual. Check oil tank.
Motor runs, but chain is not rotating.	Chain tension too tight. Check guide bar and chain assembly. Check guide bar and chain for damage.	Retention chain, Refer to <b>Adjusting Chain Tension</b> earlier in this manual. Refer to <b>Replacing Bar and Chain</b> earlier in this manual. Inspect guide bar and chain for damage.
Motor runs, chain rotates but does not cut.	Dull chain. Chain on backwards.	Sharpen chain. Reverse direction of chain.
Chain tension adjustment ring is difficult to turn.	Tip of guide bar is not raised. Chain cover lock knob is too tight.	Raise tip of guide bar while rotating tension adjustment dial. Press in the chain cover lock knob and rotate counterclockwise to slightly loosen the chain cover before attempting to adjust chain tension.



## CALL US FIRST

For any questions about operating or maintaining your product, call the RYOBI® Help Line!

Your product has been fully tested prior to shipment to ensure your complete satisfaction.

# WARRANTY

## LIMITED WARRANTY STATEMENT

Techtronic Industries North America, Inc., warrants to the original retail purchaser that this RYOBI® brand outdoor product is free from defect in material and workmanship and agrees to repair or replace, at Techtronic Industries North America, Inc.'s, discretion, any defective product free of charge within these time periods from the date of purchase.

- Three years if the product is used for personal, family or household use;
- 90 days, if used for any other purpose, such as commercial or rental.

This warranty extends to the original retail purchaser only and commences on the date of the original retail purchase.

Any part of this product found in the reasonable judgment of Techtronic Industries North America, Inc. to be defective in material or workmanship will be repaired or replaced without charge for parts and labor by an authorized service center for RYOBI® brand outdoor products (Authorized Ryobi Service Center).

The product, including any defective part, must be returned to an authorized Ryobi service center within the warranty period. The expense of delivering the product to the service center for warranty work and the expense of returning it back to the owner after repair or replacement will be paid by the owner. Techtronic Industries North America, Inc.'s, responsibility in respect to claims is limited to making the required repairs or replacements and no claim of breach of warranty shall be cause for cancellation or rescission of the contract of sale of any RYOBI® brand outdoor product. Proof of purchase will be required by the dealer to substantiate any warranty claim. All warranty work must be performed by an authorized service dealer.

This warranty is limited to ninety (90) days from the date of original retail purchase for any RYOBI® brand outdoor product that is used for rental or commercial purposes, or any other income-producing purpose.

This warranty does not cover any product that has been subject to misuse, neglect, negligence, or accident, or that has been operated in any way contrary to the operating instructions as specified in this operator's manual. This warranty does not apply to any damage to the product that is the result of improper maintenance or to any product that has been altered or modified. The warranty does not extend to repairs made necessary by normal wear or by the use of parts or accessories which are either incompatible with the RYOBI® brand outdoor product or adversely affect its operation, performance, or durability. In addition, this warranty does not cover:

- A. Tune-ups – Spark Plugs, Carburetor, Carburetor Adjustments, Ignition, Filters
- B. Wear items – Bump Knobs, Outer Spools, Cutting Lines, Inner Reels, Starter Pulleys, Starter Ropes, Drive Belts, Tines, Felt Washers, Hitch Pins, Mulching Blades, Blower Fans, Blower and Vacuum Tubes, Vacuum Bag and Straps, Guide Bars, Saw Chains

Techtronic Industries North America, Inc., reserves the right to change or improve the design of any RYOBI® brand outdoor product without assuming any obligation to modify any product previously manufactured.

ALL IMPLIED WARRANTIES ARE LIMITED IN DURATION TO THE STATED WARRANTY PERIOD. ACCORDINGLY, ANY SUCH IMPLIED WARRANTIES INCLUDING MERCHANTABILITY, FITNESS FOR A PARTICULAR PURPOSE, OR OTHERWISE, ARE DISCLAIMED IN THEIR ENTIRETY AFTER THE EXPIRATION OF THE APPROPRIATE THREE-YEAR OR NINETY-DAY WARRANTY PERIOD. TECHTRONIC INDUSTRIES NORTH AMERICA, INC.'S, OBLIGATION UNDER THIS WARRANTY IS STRICTLY AND EXCLUSIVELY LIMITED TO THE REPAIR OR REPLACEMENT OF DEFECTIVE PARTS AND TECHTRONIC INDUSTRIES NORTH AMERICA, INC., DOES NOT ASSUME OR AUTHORIZE ANYONE TO ASSUME FOR THEM ANY OTHER OBLIGATION. SOME STATES DO NOT ALLOW LIMITATIONS ON HOW LONG AN IMPLIED WARRANTY LASTS, SO THE ABOVE LIMITATION MAY NOT APPLY TO YOU. TECHTRONIC INDUSTRIES NORTH AMERICA, INC., ASSUMES NO RESPONSIBILITY FOR INCIDENTAL, CONSEQUENTIAL, OR OTHER DAMAGES INCLUDING, BUT NOT LIMITED TO, EXPENSE OF RETURNING THE PRODUCT TO AN AUTHORIZED RYOBI SERVICE CENTER AND EXPENSE OF DELIVERING IT BACK TO THE OWNER, MECHANIC'S TRAVEL TIME, TELEPHONE OR TELEGRAM CHARGES, RENTAL OF A LIKE PRODUCT DURING THE TIME WARRANTY SERVICE IS BEING PERFORMED, TRAVEL, LOSS OR DAMAGE TO PERSONAL PROPERTY, LOSS OF REVENUE, LOSS OF USE OF THE PRODUCT, LOSS OF TIME, OR INCONVENIENCE. SOME STATES DO NOT ALLOW THE EXCLUSION OR LIMITATION OF INCIDENTAL OR CONSEQUENTIAL DAMAGES, SO THE ABOVE LIMITATION OR EXCLUSION MAY NOT APPLY TO YOU.

This warranty gives you specific legal rights, and you may also have other rights which vary from state to state.

This warranty applies to all RYOBI® brand outdoor products manufactured by or for Techtronic Industries North America, Inc., and sold in the United States and Canada.

To locate your nearest Authorized Ryobi Service Center, dial 1-800-860-4050.

# AVERTISSEMENTS RÈGLES DE SÉCURITÉ RELATIVES AUX OUTILS ÉLECTRIQUES

## AVERTISSEMENT

**Lire tous les avertissements et toutes les instructions.** Ne pas suivre l'ensemble des avertissements et des instructions peut entraîner une électrocution, un incendie ou des blessures graves.

**Conserver les avertissements et les instructions à des fins de référence ultérieure.** Le terme « outil motorisé », utilisé dans tous les avertissements ci-dessous désigne tout outil fonctionnant sur secteur (câblé) ou sur piles (sans fil).

## SÉCURITÉ DU LIEU DE TRAVAIL

- **Garder le lieu de travail propre et bien éclairé.** Les endroits encombrés ou sombres sont propices aux accidents.
- **Ne pas utiliser d'outils électriques dans des atmosphères explosives, par exemple en présence de liquides, gaz ou poussières inflammables.** Les outils électriques produisent des étincelles risquant d'enflammer les poussières ou vapeurs.
- **Garder les enfants et badauds à l'écart pendant l'utilisation d'un outil électrique.** Les distractions peuvent causer une perte de contrôle.

## SÉCURITÉ ÉLECTRIQUE

- **Les fiches des outils électriques doivent correspondre à la prise secteur utilisée. Ne jamais modifier la fiche, de quelque façon que ce soit. Ne jamais utiliser d'adaptateurs de fiche avec des outils mis à la terre.** Les fiches et prises non modifiées réduisent le risque de choc électrique.
- **Éviter tout contact du corps avec des surfaces mises à la terre, telles que tuyaux, radiateurs, cuisinières et réfrigérateurs.** Le risque de choc électrique est accru lorsque le corps est mis à la terre.
- **Ne pas exposer les outils électriques à l'eau ou l'humidité.** La pénétration d'eau dans ces outils accroît le risque de choc électrique.

- **Ne pas maltraiter le cordon d'alimentation. Ne jamais utiliser le cordon d'alimentation pour transporter l'outil et ne jamais débrancher ce dernier en tirant sur le cordon. Garder le cordon à l'écart de la chaleur, de l'huile, des objets tranchants et des pièces en mouvement.** Un cordon endommagé ou emmêlé accroît le risque de choc électrique.
- **Pour les travaux à l'extérieur, utiliser un cordon spécialement conçu à cet effet.** Utiliser un cordon conçu pour l'usage extérieur pour réduire les risques de choc électrique.
- **S'il est nécessaire d'utiliser l'outil électrique dans un endroit humide, employer un dispositif interrupteur de défaut à la terre (GFCI).** L'utilisation d'un GFCI réduit le risque de décharge électrique.

## SÉCURITÉ PERSONNELLE

- **Rester attentif, prêter attention au travail et faire preuve de bon sens lors de l'utilisation de tout outil électrique. Ne pas utiliser cet outil en état de fatigue ou sous l'influence de l'alcool, de drogues ou de médicaments.** Un moment d'inattention pendant l'utilisation d'un outil électrique peut entraîner des blessures graves.
- **Utiliser l'équipement de sécurité. Toujours porter une protection oculaire.** L'équipement de sécurité, tel qu'un masque filtrant, de chaussures de sécurité, d'un casque ou d'une protection auditive, utilisé dans des conditions appropriées réduira le risque de blessures.
- **Éviter les démarrages accidentels. S'assurer que le commutateur est en position d'arrêt avant de brancher l'outil.** Porter un outil avec le doigt sur son commutateur ou brancher un outil dont le commutateur est en position de marche peut causer un accident.
- **Retirer les clés de réglage avant de mettre l'outil en marche.** Une clé laissée sur une pièce rotative de l'outil peut causer des blessures.
- **Ne pas travailler hors de portée. Toujours se tenir bien campé et en équilibre.** Ceci permettra de mieux contrôler l'outil en cas de situation imprévue.

# AVERTISSEMENTS RÈGLES DE SÉCURITÉ RELATIVES AUX OUTILS ÉLECTRIQUES

- **Porter une tenue appropriée. Ne porter ni vêtements amples, ni bijoux. Garder les cheveux, les vêtements et les gants à l'écart des pièces en mouvement.** Les vêtements amples, bijoux et cheveux longs peuvent se prendre dans les pièces en mouvement.
- **Si les outils sont équipés de dispositifs de dépoussiérage, s'assurer qu'ils sont connectés et correctement utilisés.** L'usage de ces dispositifs de dépoussiérage peut réduire les dangers présentés par la poussière.

## UTILISATION ET ENTRETIEN DES OUTILS ÉLECTRIQUES

- **Ne pas forcer l'outil. Utiliser l'outil approprié pour l'application.** Un outil approprié exécutera le travail mieux et de façon moins dangereuse s'il est utilisé dans les limites prévues.
- **Ne pas utiliser l'outil si le commutateur ne permet pas de le mettre en marche ou de l'arrêter.** Tout outil qui ne peut pas être contrôlé par son commutateur est dangereux et doit être réparé.
- **Débrancher l'outil et/ou retirer le bloc-piles avant d'effectuer des réglages, de changer d'accessoire ou de remiser l'outil.** Ces mesures de sécurité préventives réduisent les risques de démarrage accidentel de l'outil.
- **Ranger les outils motorisés hors de la portée des enfants et ne laisser personne n'étant pas familiarisé avec l'outil ou ces instructions utiliser l'outil.** Dans les mains de personnes n'ayant pas reçu des instructions adéquates, les outils sont dangereux.
- **Entretenir les outils motorisés. Vérifier qu'aucune pièce mobile n'est mal alignée ou bloquée, qu'aucune pièce n'est brisée et s'assurer qu'aucun autre problème ne risque d'affecter le bon fonctionnement de l'outil. En cas de dommages faire réparer l'outil avant de l'utiliser de nouveau.** Beaucoup d'accidents sont causés par des outils mal entretenus.
- **Garder les outils bien affûtés et propres.** Des outils correctement entretenus et dont les tranchants sont bien affûtés risquent moins de se bloquer et sont plus faciles à contrôler.

- **Utiliser l'outil, les accessoires et embouts, etc. conformément à ces instructions pour les applications pour lesquelles ils sont conçus, en tenant compte des conditions et du type de travail à exécuter.** L'usage d'un outil motorisé pour des applications pour lesquelles il n'est pas conçu peut être dangereux.

## UTILISATION ET ENTRETIEN DE LA PILE

- **Ne recharger qu'avec l'appareil spécifié par le fabricant.** Un chargeur approprié pour un type de pile peut créer un risque d'incendie s'il est utilisé avec un autre type de pile.
- **Utiliser exclusivement le bloc-pile spécifiquement indiqué pour l'outil.** L'usage de tout autre bloc peut créer un risque de blessures et d'incendie.
- **Lorsque le bloc-piles n'est pas en usage, le garder à l'écart d'articles tels qu'attaches trombones, pièces de monnaie, clous, vis ou autres petits objets métalliques risquant d'établir le contact entre les deux bornes.** La mise en court-circuit des bornes de piles peut causer des étincelles, des brûlures ou un incendie.
- **En cas d'usage abusif, du liquide peut s'échapper des piles. Éviter tout contact avec ce liquide. En cas de contact accidentel, rincer immédiatement les parties atteintes avec de l'eau. En cas d'éclaboussure dans les yeux consulter un médecin.** Le liquide s'échappant des piles peut causer des irritations ou des brûlures.

## DÉPANNAGE

- **Les réparations doivent être confiées à un technicien qualifié, utilisant exclusivement des pièces identiques à celles d'origine.** Ceci assurera le maintien de la sécurité de l'outil.
- **Utiliser exclusivement des pièces identiques à celles d'origine pour les réparations. Se conformer aux instructions de la section Entretien de ce manuel.** L'usage de pièces non autorisées ou le non-respect des instructions peut présenter des risques de choc électrique ou de blessures.

# AVERTISSEMENTS DE SÉCURITÉ RELATIFS AU SCIE À CHÂÎNE

- **Éloigner toutes les parties du corps de la scie à chaîne pendant que cette dernière fonctionne. Avant de démarrer la scie à chaîne, s'assurer que la scie à chaîne n'est pas en contact avec aucun objet.** Un moment d'inattention pendant l'utilisation de la scie à chaîne peut causer l'enchevêtrement des vêtements ou toucher le corps.
- **Toujours tenir la scie à chaîne en plaçant la main droite sur la poignée arrière et la main gauche sur la poignée avant.** Tenir la scie à chaîne en inversant cette configuration des mains augmente le risque de blessures et ne devrait jamais être faite.
- **Tenir l'outil électrique seulement par les surfaces de prises isolées, car la scie à chaîne peut toucher des câbles sous tension.** Le contact d'une scie à chaîne avec un fil sous tension peut exposer les pièces métalliques de l'outil électrique et électrocuter l'utilisateur.
- **Porter des lunettes de sécurité et d'un serre-tête antibruit. De plus, un équipement de protection pour la tête, les mains, les jambes et les pieds est recommandé.** Des vêtements de protection adéquats réduiront le risque de blessures causées par les objets projetés ou le contact accidentel avec la scie à chaîne.
- **Ne jamais utiliser une scie à chaîne en se tenant perché dans un arbre.** L'utilisation d'une scie à chaîne en se tenant perché dans un arbre peut causer des blessures.
- **Toujours garder les pieds bien appuyés et faire fonctionner la scie à chaîne seulement lorsque les pieds sont sur une surface fixe, sécuritaire et à niveau.** Les surfaces glissantes ou instables, comme les échelles, représentent un risque de déséquilibre et de perte de contrôle de la scie à chaîne.
- **Pendant la coupe d'une branche tendue, prendre garde au rebond.** Lorsque la tension des fibres du bois est relâchée, la branche tendue peut frapper l'utilisateur et/ou provoquer la perte de contrôle de la scie à chaîne.
- **Être très prudent lors de la coupe de buissons ou de jeunes arbres.** Les branches fines peuvent se coincer dans la scie à chaînes et fouetter en direction de l'utilisateur et lui faire perdre l'équilibre.
- **Transporter la scie à chaîne par la poignée avant, avec l'interrupteur positionné à éteint et éloignée du corps. Toujours installer le couvercle du guide-chaîne pour transporter ou ranger la scie à chaîne.** Une manipulation adéquate de la scie à chaîne réduira le contact accidentel habituel occasionné par le mouvement de la scie à chaîne.
- **Suivre les instructions de lubrification, de tension de chaîne et de changement d'accessoires.** Une tension ou une lubrification inadéquate de la chaîne peut provoquer son bris ou augmenter le risque de rebond.
- **Garder les poignées sèches, propres et exemptes d'huile ou de graisse.** Les poignées graisseuses ou huileuses sont glissantes et peuvent provoquer une perte de contrôle.
- **Couper seulement du bois. Ne pas utiliser la scie à chaîne pour des applications pour lesquelles elle n'est pas conçue. Par exemple : ne pas utiliser la scie à chaîne pour couper du plastique, de la maçonnerie ou des matériaux de construction non dérivés du bois.** L'utilisation de la scie à chaîne pour des opérations autres que celles prévues représente un risque de situation dangereuse.

## CAUSES DU REBOND ET PRÉCAUTIONS À PRENDRE

Le rebond peut survenir lorsque le nez ou la pointe du guide-chaîne touche un objet ou lorsque le bois se referme et se pince pendant la coupe de la scie à chaîne.

Dans certains cas, le contact de la pointe avec un objet peut causer une réaction inverse soudaine, projetant le guide-chaîne vers le haut et l'arrière, en direction de l'opérateur.

Le pincement de la chaîne au haut du guide-chaîne peut causer une projection rapide de la lame en arrière, en direction de l'utilisateur.

Chacune de ces deux réactions peut entraîner la perte de contrôle de la scie et causer des blessures graves. Ne pas se fier exclusivement aux dispositifs de sécurité intégrés à la scie. L'utilisateur de la scie à chaîne doit prendre un certain nombre de précautions pour éviter les accidents et les blessures.



# AVERTISSEMENTS DE SÉCURITÉ RELATIFS AU SCIE À CHAÎNE

Le rebond est causé par une utilisation et/ou des méthodes de travail incorrectes et il peut être évité en prenant les précautions suivantes :

- **Conserver une prise ferme en plaçant les pouces et les doigts autour des poignées de la scie à chaîne, en gardant les deux mains sur la scie et en positionnant le corps et le bras de manière à résister à la force du rebond.** S'il prend les précautions nécessaires, l'utilisateur peut contrôler la force du rebond. Ne pas échapper la scie à chaîne.
- **Ne pas étirer le corps et ne pas faire de coupe au-dessus des épaules.** Ceci aidera à prévenir le contact involontaire de la pointe et procurera un meilleur contrôle de la scie à chaîne lors de situations inattendues.
- **Utiliser seulement les guide-chaîne et les chaînes de rechange mentionnées par le fabricant.** Le remplacement des guide-chaîne et de chaînes inadéquates peut provoquer le bris et le rebond de la chaîne.
- **Suivre les instructions d'affûtage et d'entretien fournies par le fabricant de la scie à chaîne.** La diminution du limiteur de profondeur augmente le risque de rebond.
- Il n'est pas recommandé d'effectuer des coupes plus haut que la poitrine.
- Ne pas commencer à couper avant d'avoir déblayé la zone de travail, d'être bien campé et d'avoir prévu une trajectoire pour échapper à l'arbre en train de s'abattre. Les endroits encombrés sont propices aux accidents.
- Tenir TOUS les autres travailleurs, enfants, badauds et animaux domestiques à distance sécuritaire de la zone de travail. Ne pas laisser les visiteurs toucher la scie à chaîne ou son cordon d'alimentation.
- Ne pas utiliser de scie à chaîne dans des atmosphères explosives, par exemple en présence de liquides, gaz ou poussières inflammables. Les scie à chaîne produisent des étincelles risquant d'enflammer les poussières ou vapeurs.
- Porter une tenue appropriée - Porter des vêtements bien ajustés. Toujours porter une combinaison, des jeans, des manches longs, des jambières en tissu résistant ou dotés de pièces résistantes aux coupures. Porter des chaussures de sécurité antidérapantes. Porter des gants épais pour assurer une bonne prise et protéger les mains. Ne pas porter de bijoux, shorts, sandales et ne pas travailler pieds nus. Ne pas porter des vêtements amples qui pourraient être happés dans le moteur ou se prendre dans la chaîne ou les broussailles. Attacher les cheveux longs pour les maintenir au-dessus des épaules. Porter une protection auditive et un casque.
- Le port d'un vêtement de protection lourd peut accroître la fatigue chez l'utilisateur et lui occasionner un coup de chaleur. Par temps chaud et humide, les travaux exigeants devraient être planifiés en début de matinée ou à la fin de la journée, lorsque le temps est plus frais.
- Toujours porter une protection oculaire avec écrans latéraux certifiée conforme à la norme ANSI Z87.1 ainsi qu'une protection auditive et un casque de la tête lors de l'utilisation de cet équipement.
- Toujours se concentrer sur le travail lors de l'utilisation de cette scie à chaîne. Faire preuve de bon sens. Ne pas utiliser cette scie en état de fatigue, si l'on est souffrant ou contrarié, ou sous l'influence de l'alcool, de drogues ou de médicaments.
- Ne pas exposer la scie à chaîne à la pluie.
- Ne pas utiliser la scie dans des endroits humides ou mouillés.
- Rester vigilant et être attentif au travail. Utiliser l'outil avec bon sens.
- Garder toutes les parties du corps à l'écart de la scie à chaîne lorsque le moteur tourne.
- Ne jamais laisser quiconque n'ayant pas reçu des instructions d'utilisation appropriées utiliser la scie. Cette règle s'applique aux scies de location aussi bien qu'à celles appartenant à des particuliers.
- Avant de lancer le moteur, s'assurer que la chaîne n'est en contact avec aucun objet.
- Arrêter le moteur avant de poser la scie.
- Pour éviter un démarrage accidenter, ne jamais transporter l'outil avec le doigt sur la gâchette.

# AVERTISSEMENTS DE SÉCURITÉ RELATIFS AU SCIE À CHÂÎNE

- Entretenir soigneusement l'outil. Garder l'outil bien affûté et propre, pour obtenir des performances optimales et réduire les risques d'accident. Suivre les instructions de lubrification et de changement d'accessoires.
- Ne pas tenir la scie d'une seule main ! La tenir fermement, les doigts et pouces encerclant les poignées. Ceci exposerait l'utilisateur, les autres travailleurs et toutes les personnes présentes à des risques de blessure grave. Les scies à chaîne sont conçues pour être utilisées à deux mains.
- Se protéger contre les décharges électriques - Éviter tout contact du corps avec des surfaces mises à la terre, telles que tuyaux métalliques et palissades grillagées. Le risque de choc électrique est accru lorsque le corps est mis à la terre.
- Ne jamais utiliser une scie à chaîne endommagée, incorrectement réglée ou pas complètement et solidement assemblée. La chaîne doit ralentir jusqu'à l'arrêt lorsque la gâchette est relâchée. Si la chaîne continue de tourner une fois la gâchette relâchée, faire réparer la scie au centre de réparations agréé.
- Vérifier l'état des pièces. Vérifier l'alignement des pièces mobiles, s'assurer qu'aucune pièce n'est bloquée ou cassée, vérifier la fixation de chaque pièce et s'assurer qu'aucun autre problème ne risque d'affecter le bon fonctionnement de l'outil.
- Tous les entretiens et dépannages, autres que ceux décrits dans le manuel d'utilisation doivent être confiés au centre de réparations agréé.
- Toujours se tenir bien campé.
- Ne pas utiliser l'outil si le commutateur ne permet pas de le mettre en marche et de l'arrêter. Faire remplacer les commutateurs défectueux dans un centre de réparations agréé.
- Ne pas adapter le bloc-moteur à un guide à archet, ni l'utiliser pour entraîner des accessoires non spécifiés pour la scie.
- Débrancher la scie à chaîne de la source de courant lorsqu'elle n'est pas utilisée, avant son entretien et lors de réglages et du changement d'accessoires, tels que la garde et la chaîne de la scie.
- Ne pas couper de lianes ou de petites broussailles.
- Ne pas travailler en se tenant dans un arbre, sur une échelle, toit ou un échaffaudage, ou autre support instable, ce qui est extrêmement dangereux.  
**NOTE :** La taille de la zone de travail dépend du type de sciage effectué ainsi que de la taille de l'arbre ou de la pièce à débiter. Par exemple, l'abattage d'un arbre exige une zone de travail plus grande que le tronçonnage de branches.
- Ne pas forcer la scie. Un outil exécutera le travail mieux et de façon moins dangereuse s'il fonctionne dans les limites prévues.
- Toujours utiliser l'outil adéquat pour le travail. La scie à chaîne ne doit être utilisée que pour couper du bois. Ne jamais l'utiliser pour couper du plastique, du béton ou des matériaux autres que le bois.
- Remiser la scie à chaîne lorsqu'elle n'est pas charge ou n'est pas en usage. La remiser dans un endroit sec, en hauteur ou sous clé, hors de la portée des enfants. Avant de remiser la chaîne, installer le fourreau sur le guide et la chaîne.
- Ne recharger les batteries qu'avec l'appareil indiqué. Pour utiliser l'appareil avec des batteries au nickel-cadmium et au lithium-ion de 18 V, consulter le supplément de raccordement pour chargeur/outils/batteries/appareil n° 987000-432.
- Les outils fonctionnant sur piles n'ayant pas besoin d'être branchés sur une prise secteur, ils sont toujours en état de fonctionnement. Rester conscient des dangers lorsque l'outil n'est pas en usage.
- Retirer le bloc-piles pendant la pile n'est pas charge, et avant tout réglage, nettoyage, remisage ou déblocage, lors du remplacement d'accessoires tels que le guide et la chaîne et lorsque l'outil n'est pas en usage.
- Conserver ces instructions. Les consulter fréquemment et les utiliser pour instruire les autres utilisateurs éventuels. Si cet produit est prêté, il doit être accompagné de ces instructions.

# AVERTISSEMENTS DE SÉCURITÉ RELATIFS AU SCIE À CHÂÎNE

## REBOND

Voir les figures 1 à 3.

■ **AVERTISSEMENT** : Le rebond se produit lorsque la chaîne en rotation heurte un objet dans la partie supérieure de l'extrémité du guide ou lorsque l'entaille du bois se referme et pince la chaîne dans le bois. Le contact de la partie supérieure de l'extrémité du guide peut faire plonger la chaîne dans le bois et la bloquer pendant un instant. Il en résulte une réaction fulgurante, projetant le guide vers le haut et l'arrière, en direction de l'utilisateur. Le pincement de la chaîne sur la partie supérieure du guide peut causer une projection violente de la barre vers l'arrière, en direction de l'utilisateur. Ces réactions peuvent faire perdre le contrôle de la scie et entraîner des blessures graves. Ne pas se fier exclusivement sur les dispositifs de sécurité intégrés à la scie. L'utilisateur d'une scie à chaîne doit prendre un certain nombre de précautions pour éviter les accidents et blessures.

■ **Pour minimaliser le risque de rebond, prendre les précautions suivantes :**

- Toujours tenir la scie fermement, à deux mains. Toujours maintenir la scie fermement à deux mains lorsque le moteur tourne. Placer la main droite sur la poignée arrière et la main gauche sur la poignée avant, le pouce et les autres doigts solidement refermés sur les deux poignées. Une prise ferme, bras gauche tendu facilite le contrôle de la scie en cas de rebond.
- S'assurer que l'endroit où la scie est utilisée est dépourvu de tout obstacle. Ne pas laisser l'extrémité du guide entrer en contact avec une bille, une branche, une palissade ou tout autre obstacle risquant d'être heurté pendant le sciage.
- Toujours couper avec le moteur tournant à sa vitesse maximum. Serrer la gâchette d'accélérateur à fond et maintenir une vitesse de coupe constante.
- Utiliser des pièces de rechange telles que chaînes à faible rebond, freins de chaîne et guides spéciaux réduisant les risques de

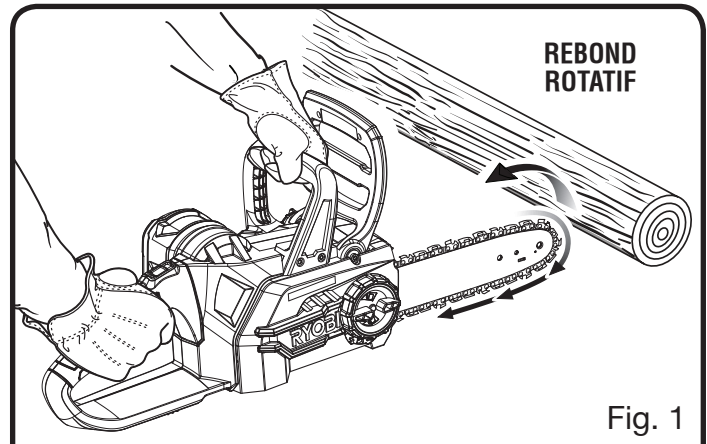


Fig. 1

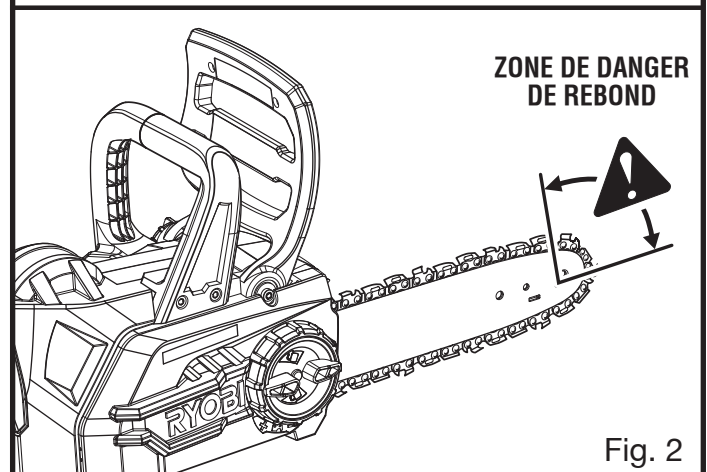


Fig. 2

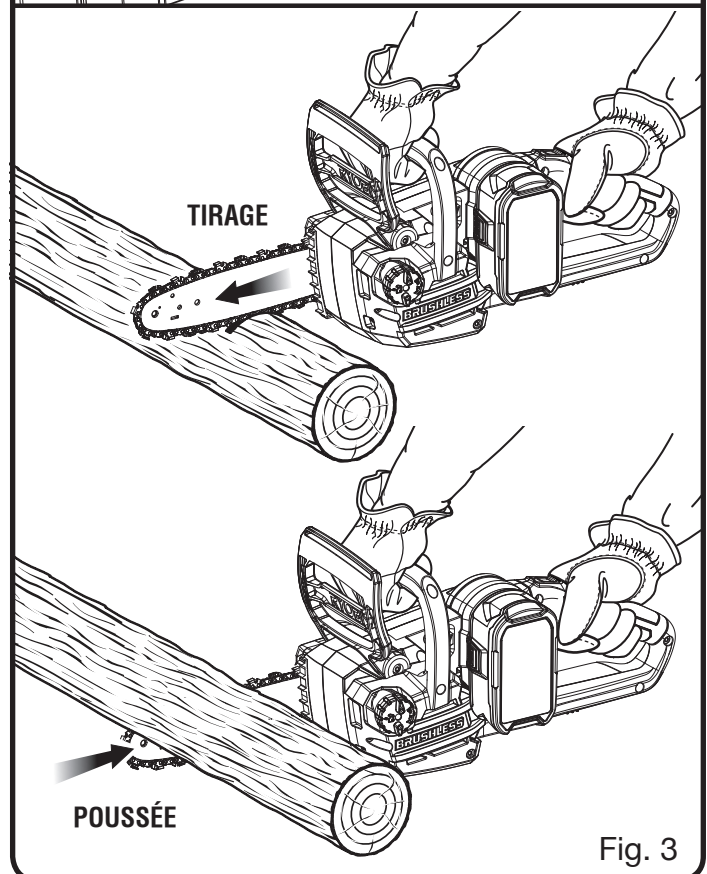


Fig. 3

# AVERTISSEMENTS DE SÉCURITÉ RELATIFS AU SCIE À CHAÎNE

rebond. Utiliser exclusivement les guides et chaînes à faible rebond spécifiés par le fabricant pour la scie.

- Une compréhension élémentaire du rebond peut réduire ou éliminer l'élément de surprise. Les surprises sont favorables aux accidents.
- Toujours se tenir bien campé et en équilibre.
- Ne pas travailler hors de portée ni couper au-dessus de la hauteur de la poitrine.
- Suivre les instructions d'affûtage et d'entretien fournies par le fabricant de la chaîne.
- Poussée et tirage - La force de réaction s'exerce toujours dans le sens opposé à la rotation de la chaîne, au point de contact avec le bois. Par conséquent, l'opérateur doit être prêt à contrôler la TIRAGE lorsque la coupe est effectuée avec le bas du guide et la POUSSÉE lorsque la coupe est effectuée avec le haut du guide. *Voir la figure 3.*

## COMPRÉHENSION DES DISPOSITIFS DE SÉCURITÉ DE LA SCIE À CHAÎNE CHAÎNE À REBOND RÉDUIT

Les limiteurs d'épaisseur de copeaux placés en avant de chaque gouge peuvent réduire la force de réaction du rebond en empêchant les gouges de

mordre trop profondément dans la zone de rebond. Utiliser exclusivement des chaînes de rechange équivalentes à celle d'origine ou certifiées « rebond réduit » selon ANSI B175.1.

Une scie à chaîne est considérée comme étant à rebond réduit lorsqu'elle répond aux spécifications ANSI B175.1 (norme nationale américaine pour les outils motorisés – Exigences de sécurité pour scies à chaîne à moteur à essence). Les tests ont été effectués sur des échantillons de scies à chaîne de moins de 3,8 cc, conformément aux directives ANSI B175.1.

À mesure qu'une chaîne est affûtée au cours de sa vie utile, elle perd une partie de ses qualités antirebond. Il convient donc de l'utiliser avec une prudence accrue.




### GUIDES

En général, les guides à extrémité de faible rayon présentent une moindre tendance au rebond.








Lors du remplacement, veiller à utiliser l'un des guides indiqués pour la scie dans ce manuel d'utilisation.

# SYMBOLES

Les termes de mise en garde suivants et leur signification ont pour but d'expliquer le degré de risques associé à l'utilisation de ce produit.







SYMBOLE	SIGNAL	SIGNIFICATION
	<b>DANGER :</b>	Indique une situation dangereuse qui, si elle n'est pas évitée, aura pour conséquences des blessures graves ou mortelles.
	<b>AVERTISSEMENT :</b>	Indique une situation dangereuse qui, si elle n'est pas évitée, pourrait entraîner des blessures graves ou mortelles.
	<b>ATTENTION :</b>	Indique une situation dangereuse qui, si elle n'est pas évitée, pourrait entraîner des blessures légères ou de gravité modérée.
	<b>AVIS :</b>	(Sans symbole d'alerte de sécurité) Indique les informations jugées importantes sans toutefois représenter un risque de blessure (ex. : messages concernant les dommages matériels).

Certains des symboles ci-dessous peuvent être utilisés sur ce produit. Veiller à les étudier et à apprendre leur signification. Une interprétation correcte de ces symboles permettra d'utiliser ce produit plus efficacement et de réduire les risques.

SYMBOLE	NOM	DÉSIGNATION / EXPLICATION
	Symbole d'alerte de sécurité	Indique un risque de blessure potentiel.
	Lire le manuel d'utilisation	Pour réduire les risques de blessures, l'utilisateur doit lire et veiller à bien comprendre le manuel d'utilisation avant d'utiliser ce produit.
	Protections oculaire, auditive et casque	Toujours porter une protection oculaire avec écrans latéraux certifiée conforme à la norme ANSI Z87.1 ainsi qu'une protection auditive et un casque de la tête lors de l'utilisation de cet équipement.
	Avertissement concernant l'humidité	Ne pas exposer l'outil à la pluie ni à l'humidité.
	Tenir la scie à deux mains	Tenir la scie à deux mains et l'utiliser correctement.
	Une main	Ne pas tenir la scie d'une seule main.
	Rotation de la chaîne	Indique la direction de la chaîne en mouvement.

# SYMBOLES

Certains des symboles ci-dessous peuvent être utilisés sur ce produit. Veiller à les étudier et à apprendre leur signification. Une interprétation correcte de ces symboles permettra d'utiliser ce produit plus efficacement et de réduire les risques.

SYMBOLE	NOM	DÉSIGNATION / EXPLICATION
	Rebond	DANGER ! ATTENTION AUX REBONDS.
	Contact avec l'extrémité du guide	Éviter tout contact avec l'extrémité du guide.
	Gants	Porter des gants épais antidérapants lors de l'utilisation de la scie à chaîne.
	Chaussures de sécurité	Porter des chaussures de travail à semelle antidérapante lors de l'utilisation de l'outil.
	La tenir à l'écart de lignes électriques et ne laisser personne s'approcher	DANGER ! Risque d'électrocution ! Ne pas travailler à moins de 15m (50 pi) de lignes électriques. Pour l'abattage, garder les badauds et animaux domestiques à une distance de 15 m (50 pi) minimum ou au moins deux fois la taille de l'arbre le plus grand se trouvant dans la zone de coupe.
	Symboles de recyclage	Ce produit utilise les piles de lithium-ion ou nickel-cadmium. Les réglementations locales ou gouvernementales peuvent interdire de jeter les piles au nickel-cadmium dans les ordures ménagères. Consulter les autorités locales compétentes pour les options de recyclage et/ou l'élimination.
V	Volts	Tension
==	Courant continu	Type ou caractéristique du courant

## **Tronçonnage**

Coupe transversale d'un arbre abattu ou d'une bille de bois pour le débiter en tronçons.

## **Bloc moteur de scie à chaîne**

Scie à chaîne sans la chaîne et le guide.

## **Pignon d'entraînement**

Roue dentée entraînant la chaîne.

## **Abattage**

Opération de coupe d'un arbre pour le faire tomber.

## **Entaille d'abattage**

Entaille finale d'une opération d'abattage, pratiquée à l'opposé de l'entaille de dessous.

## **Garde avant de main**

Barrière structurelle placée entre la poignée avant et le guide de chaîne de la scie, se trouvant généralement près de la position de la main sur la poignée avant.

## **Poignée avant**

Poignée de maintien placée à l'avant de la scie à chaîne. Cette poignée est pour la main gauche.

## **Tige de guide**

Structure rigide, dotée d'un rail de support et guidage de la chaîne.

## **Rebond**

Mouvement du guide vers le haut ou vers l'arrière se produisant lorsque la chaîne heurte un objet, tel qu'une bille de bois ou une branche, dans la partie supérieure de l'extrémité du guide, ou lorsque l'entaille se referme et pince la chaîne dans le bois.

## **Rebond (pincement)**

Recul brutal de la scie se produisant lorsque le bois de l'entaille se referme, sur la chaîne en rotation dans la partie supérieure du guide.

## **Rebond (rotatif)**

Mouvement brutal de la scie vers le haut et l'arrière pouvant se produire lorsque la chaîne en rotation heurte un objet, tel qu'une bille de bois ou une branche, dans la partie supérieure de l'extrémité du guide.

## **Bouton de verrouillage de gâchette**

Butée articulée empêchant d'actionner accidentellement le commutateur tant qu'il n'est pas manuellement actionné.

## **Chaîne à rebond réduit**

Chaîne conforme aux normes antirebond ANSI B175.1 lorsqu'elle est testée sur des échantillons représentatifs de scies à chaîne.

## **Position de coupe normale**

Positions utilisées pour le tronçonnage et l'abattage.

## **Sifflet d'abattage**

Entaille permettant de diriger le sens de chute de l'arbre.

## **Poignée arrière**

Poignée de maintien placée à l'arrière de la scie. Elle comporte généralement l'accélérateur. Cette poignée est pour la main droite.

## **Guide de chaîne à rebond réduit**

Guide ayant été prouvé réduire considérablement le rebond.

## **Chaîne de rechange**

Chaîne conforme aux normes antirebond ANSI B175.1 lorsque testée sur certaines scies. Une telle chaîne peut ne pas répondre aux exigences de performances ANSI lorsqu'elle est utilisée sur d'autres scies.

## **Chaîne**

Une chaîne en boucle dotée de dents pour la coupe du bois, entraînée par le moteur et supportée par le guide.

## **Butoir à pointes**

La ou les dents pointues à utiliser lors de l'abattage ou du tronçonnage pour faire pivoter la scie et la maintenir en positif pendant le travail.

## **Fouet**

Arbuste ou branche fléchie ou bloquée sous tension. Cette pièce peut se détendre brusquement lorsqu'elle est coupée, créant une situation dangereuse.

## **Commutateur**

Dispositif permettant d'ouvrir ou de fermer le circuit d'alimentation du moteur de la scie à chaîne.

# CARACTÉRISTIQUES

## FICHE TECHNIQUE

Moteur .....	18 V c.c.
Longueur du guide .....	304,8 mm (12 po)
Volume du réservoir de lubrifiant de chaîne .....	200 ml (6,8 oz)

**NOTE :** Cette scie est conçue pour des travaux occasionnels légers et sa capacité de coupe présente certaines limites.

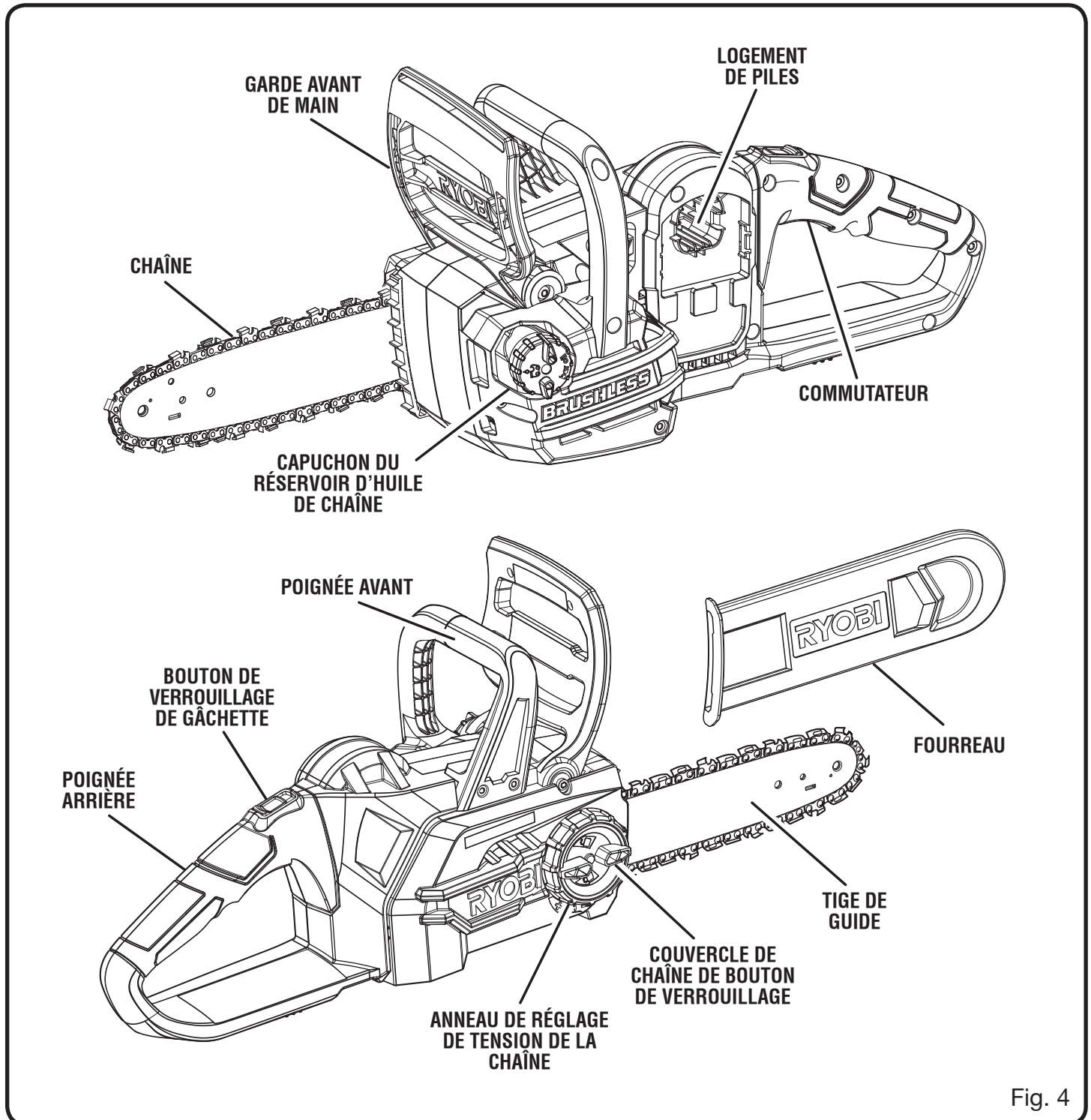


Fig. 4



# CARACTÉRISTIQUES

## **POUR SE FAMILIARISER AVEC LA SCIE À CHAÎNE**

*Voir la figure 4.*

L'utilisation sûre de ce produit exige une compréhension des renseignements figurant sur l'outil et contenus dans le manuel d'utilisation, ainsi qu'une bonne connaissance du projet entrepris. Avant d'utiliser ce produit, se familiariser avec toutes ses caractéristiques et règles de sécurité.

## **ANNEAU DE RÉGLAGE DE TENSION DE LA CHAÎNE**

Cette fonction permet aux utilisateurs de régler la tension de la chaîne.

## **TIGE DE GUIDE**

La tige de guide installé en usine est de faible rayon, ce qui offre une moindre tendance au rebond.

## **BOUTON DE VERROUILLAGE DE GÂCHETTE**

Une fonction de commande permettant d'empêcher de démarrer le moteur accidentellement.

## **CHAÎNE À REBOND RÉDUIT**

La chaîne à rebond réduit aide à limiter la force de réaction du rebond en empêchant les dents de mordre trop profondément dans la zone de rebond.

## **GÂCHETTE**

Serrer la gâchette pour faire fonctionner l'outil une fois le verrouillage de commutateur poussé vers l'intérieur. Relâcher la gâchette pour arrêter l'outil.

# ASSEMBLAGE

## DÉBALLAGE

Ce produit a été expédié complètement assemblé.

- Avec précaution, sortir le produit et les accessoires de la boîte. S'assurer que toutes les pièces figurant sur la liste de contrôle sont incluses.

### **AVERTISSEMENT :**

Ne pas utiliser le produit s'il n'est pas complètement assemblé ou si des pièces semblent manquantes ou endommagées. Le fait d'utiliser un produit assemblé de façon inadéquate ou incomplète peut entraîner des blessures graves.

- Examiner soigneusement le produit pour s'assurer que rien n'a été brisé ou endommagé en cours de transport.
- Ne pas jeter les matériaux d'emballage avant d'avoir soigneusement examiné le produit et avoir vérifié qu'il fonctionne correctement.
- Si des pièces sont manquantes ou endommagées, appeler le 1-800-860-4050.

## LISTE DE CONTRÔLE D'EXPÉDITION

Scie à chaîne avec fourreau

Manuel d'utilisation

### **AVERTISSEMENT :**

Si des pièces manquent ou sont endommagées, ne pas utiliser ce produit avant qu'elles aient été remplacées. Le fait d'utiliser ce produit même s'il contient des pièces endommagées ou s'il lui manque des pièces peut entraîner des blessures graves.

### **AVERTISSEMENT :**

Ne pas essayer de modifier ce produit ou de créer des accessoires non recommandés pour ce produit. De telles altérations ou modifications sont considérées comme un usage abusif et peuvent créer des conditions dangereuses, risquant d'entraîner des blessures graves.

### **AVERTISSEMENT :**

Pour empêcher un démarrage accidentel pouvant entraîner des blessures graves, toujours déconnecter le fil de bougie de moteur de la bougie d'allumage avant d'assembler des pièces.

# UTILISATION

### **DANGER :**

Ne jamais effectuer de coupes près de cerca de lignes, lignes cordon de électriques ou de sources de courant. Si les embouteillages de barre et chaîne sur la cordon électrique ou línea, Ne pas manipuler la guide ou la chaîne! ELLE PEUT ÊTRE SOUS TENSION ET DONC, EXTRÊMEMENT DANGEREUSE. Continuer de tenir scie à chaîne par la poignée arrière isolée ou le poser à l'écart en prenant les précautions nécessaires. Mettre le circuit électrique de la ligne électrique hors tension ou débrancher le cordon endommagé avant d'essayer de débloquer la lame. Le contact avec la barre et chaîne, d'autres parties conductrices du scie à chaîne, ou des cordons ou des fils électriques sous tension entraînerait mortelles, choc électrique, ou des blessures graves.

### **AVERTISSEMENT :**

Ne pas laisser la familiarité avec ce produit faire oublier la prudence. Ne pas oublier qu'une fraction de seconde d'inattention peut entraîner des blessures graves.

### **AVERTISSEMENT :**

Toujours porter une protection oculaire avec écrans latéraux certifiée conforme à la norme ANSI Z87.1 ainsi qu'une protection auditive et un casque. Si cette précaution n'est pas prise, des objets peuvent être projetés dans les yeux et causer des lésions graves.

# UTILISATION

## ⚠ AVERTISSEMENT :

Ne pas utiliser d'outils ou accessoires non recommandés par le fabricant pour ce produit. L'utilisation de pièces et accessoires non recommandés peut entraîner des blessures graves.

## ⚠ AVERTISSEMENT :

Ne jamais abattre un arbre ou couper des bûches ou des branches ayant un diamètre plus grand que le guide-chaîne. Seuls les professionnels bien formés peuvent exécuter ces coupes. L'exécution de ce genre de coupes peut provoquer un accident et occasionner des blessures graves ou mortelles.

## AVIS :

Avant chaque utilisation, inspecter au complet le produit afin de s'assurer qu'aucune pièce (vis, écrous, boulons, chapeaux, etc.) n'est endommagée, manquante ou desserrée. Serrer solidement toutes les pièces de fixation et les chapeaux et ne pas utiliser le produit tant que toutes les pièces manquantes ou endommagées n'ont pas été remplacées. Veuillez communiquer avec le service à la clientèle ou un centre de réparations autorisés pour obtenir de l'aide.

## APPLICATIONS

Ce produit peut être utilisé pour les applications ci-dessous :

- Ébranchage et émondage
- Abattage d'arbustes
- Tronçonnage des arbres abattus

Ce produit est compatible avec les piles 18 V au lithium-ion et au nickel cadmium de RYOBI™ ONE+™.

Pour prendre connaissance de l'ensemble des instructions relatives à la charge, consulter les manuels d'utilisation des blocs-piles de RYOBI™ ONE+™ et des modèles de chargeur connexes.

## RETRAIT/INSTALLATION DU BLOC-PILES

Voir la figure 5.

## ⚠ AVERTISSEMENT :

Toujours retirer la pile de l'outil au moment d'assembler des pièces, d'effectuer des réglages et de procéder au nettoyage, ou lorsque l'outil n'est pas utilisé. Le fait de retirer la pile permet d'empêcher un démarrage accidentel pouvant entraîner des blessures graves.

**NOTE :** Pour éviter des blessures graves, toujours retirer le bloc-piles et tenir à distance de mains le bouton de verrouillage en portant l'outil.

### Installation :

- Placer le bloc-piles dans la scie. Aligner la saillie du bloc-piles sur la rainure du logement de la scie.
- S'assurer que ses deux loquets latéraux s'engagent correctement et vérifier que le bloc est solidement assujéti avant d'utiliser l'outil.

### Retrait :

Appuyer sur les deux loquets se trouvant sur les côtés du bloc-piles pour le séparer de la scie à chaîne.

## AVIS :

Lors de l'installation du bloc-piles sur la scie, veiller à ce que sa nervure en saillie s'aligne sur la rainure du logement de la scie et que les loquets latéraux s'engagent correctement. Une insertion incorrecte du bloc-piles peut causer des dommages aux composants internes.

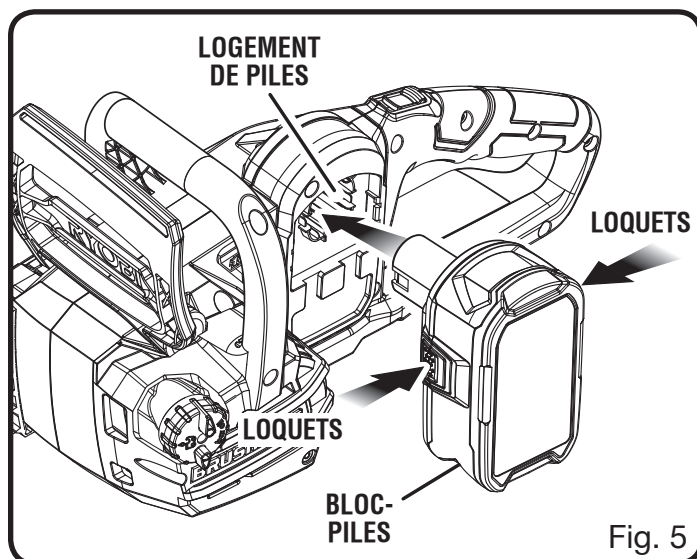


Fig. 5

# UTILISATION

## SYSTÈME DE LUBRIFICATION DE LA CHÂÎNE

Voir la figure 6.

### AVIS :

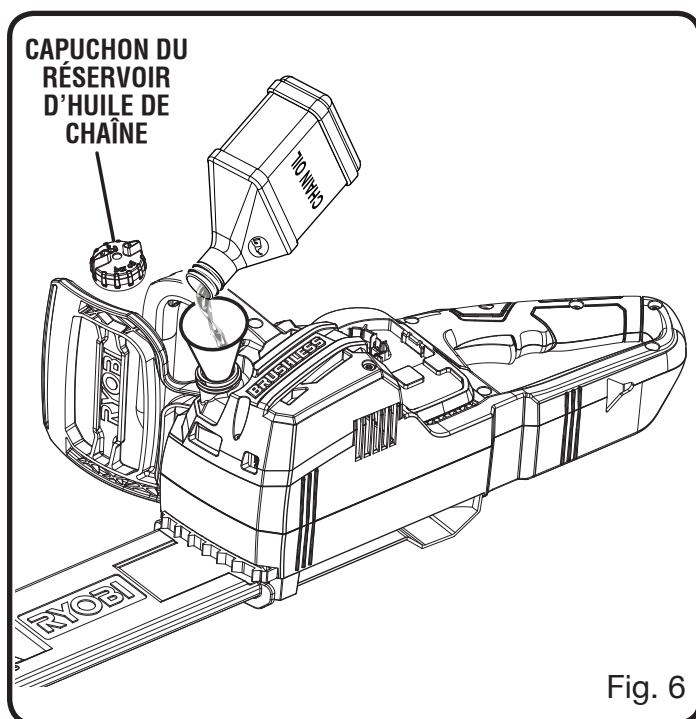
Retirer le bloc-piles de l'outil. Remplir le réservoir d'huile pour chaîne et guide avant de mettre la scie en marche. Un manque de lubrification causerais des dommages à la chaîne et au guide.

- Utiliser de la lubrifiant RYOBI pour guide et chaîne. Cette lubrifiant est formulée pour fonctionner dans une vaste plage de températures sans être diluée.  
**NOTE :** Ne pas utiliser de lubrifiant sale, usagée ou autrement contaminée. Cela pourrait endommager le guide ou la chaîne.
- Tourner la scie sur le côté et retirer le bouchon du réservoir d'huile de la chaîne.
- Verser soigneusement le lubrifiant pour guide et chaîne dans le réservoir.
- Essuyer l'excès de lubrifiant.
- Vérifier le niveau du réservoir d'huile et le remplir pendant que la pile se charge, ou au besoin.

**NOTE :** Il est normal que de le lubrifiant suinte de la scie lorsqu'elle n'est pas en usage. Pour éviter ce suintement, vider le réservoir d'huile après chaque utilisation. Lorsque la scie est remise pour une période prolongée (trois mois ou plus), s'assurer que la chaîne et le pignon d'entraînement sont légèrement lubrifiés pour les protéger de la rouille.

### AVIS :

Avant chaque utilisation, s'assurer que la chaîne est adéquatement tendue. Une chaîne froide est bien tendue lorsqu'il n'y a aucun mou sous le rail de guidage, que la chaîne est serrée et qu'elle peut être tournée à la main sans se coincer. Pendant l'utilisation normale de la scie, la température de la chaîne augmente. Les maillons-guide d'une chaîne chaude correctement tendue pendent à environ 1,27 mm (0,050 po) de la rainure du guide. Pour bien ajuster la tension de la chaîne, consulter les instructions **Ajuster la tension de la chaîne** dans la section *Entretien* de ce guide.



# UTILISATION

## DÉMARRAGE ET ARRÊT DE LA SCIE À CHÂÎNE

Voir la figure 7.

### **⚠ AVERTISSEMENT :**

Garder le corps à droite de la ligne de chaîne.  
Ne jamais chevaucher la scie ou la chaîne ou se pencher au-delà de la ligne de chaîne.

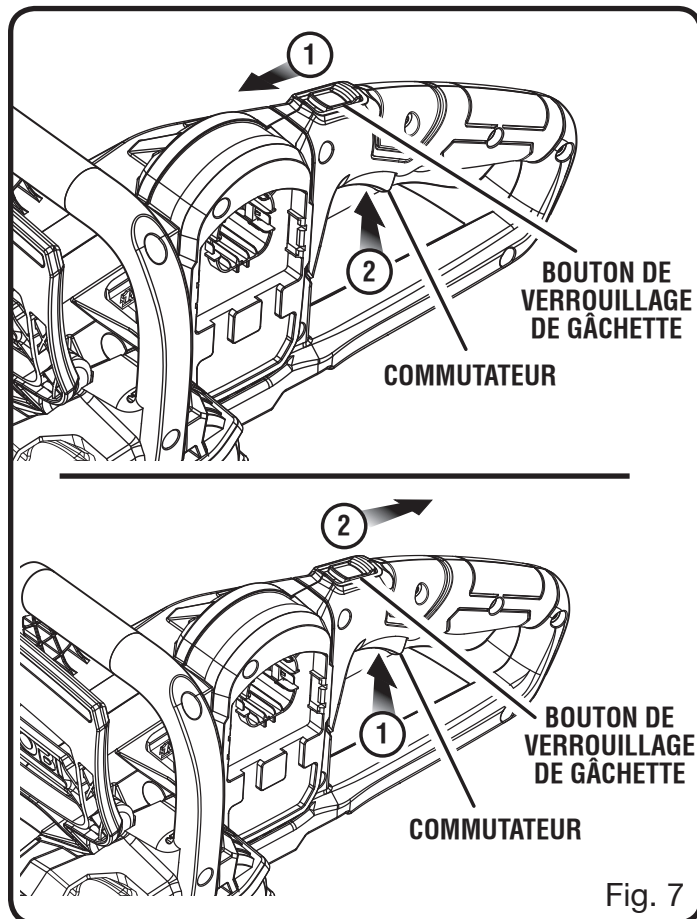
### **Démarrage de la scie à chaîne :**

- Maintenir le bouton de verrouillage de gâchette enfoncé. Ceci permet d'actionner la commutateur.
- Pour le fonctionnement continu, appuyer sur la commutateur , désengager le bouton de verrouillage et maintenir la commutateur enfoncée.

### **Arrêt de la scie à chaîne :**

- Pour arrêter la scie, relâcher la commutateur .
- Lorsque la commutateur est relâchée, le bouton de verrouillage se remet automatiquement en position verrouillée.

Cette scie à chaîne sans fil est conçue pour émonder, élaguer et couper des branches ou petits arbres, d'un diamètre maximum de 254 mm (10 po).



# UTILISATION

## PRÉPARATION POUR LA COUPE SAISIR CORRECTEMENT LES DEUX POIGNÉES

Voir les figures 8 à 10.

Voir *Avertissements de sécurité relatifs au scie à chaîne*, plus haut dans ce manuel, pour des informations détaillées au sujet de l'équipement de sécurité.

- Porter des gants antidérapants pour assurer une prise et une protection maximum.
- Tenir la scie fermement, à deux mains. Toujours garder la main gauche sur la poignée avant et la main droite sur la poignée arrière, de façon à ce que le corps se trouve à gauche de la ligne de chaîne.

### **⚠ AVERTISSEMENT :**

Ne jamais utiliser une prise gauchère (mains inversées) ou une position qui placerait le bras ou le corps en travers de la ligne de chaîne.

- Toujours tenir solidement la scie lorsque le moteur tourne. Les doigts doivent entourer la poignée, le pouce étant passé au-dessous. Avec cette prise, la scie risque moins d'échapper à l'utilisateur (sous l'effet d'un rebond ou d'une autre réaction soudaine de la scie). Il est dangereux de tenir la scie avec les doigts et le pouce du même côté de la poignée, car le moindre à-coup peut faire perdre le contrôle de la scie.

### **⚠ AVERTISSEMENT :**

Ne pas actionner la commutateur avec la main gauche en tenant la poignée avant avec la main droite. Ne jamais laisser une partie du corps quelconque se trouver dans la ligne de chaîne pendant l'utilisation de la scie. Une utilisation inadéquate de la scie à chaîne peut entraîner des blessures graves.

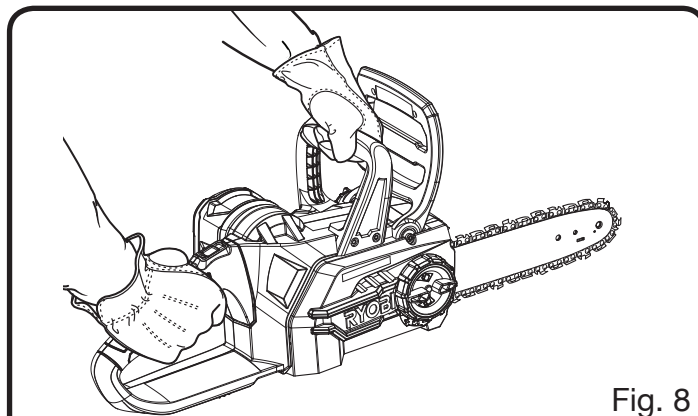


Fig. 8

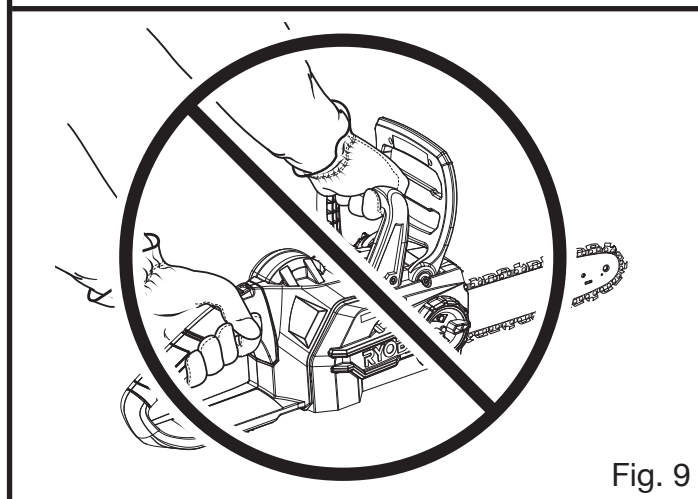


Fig. 9

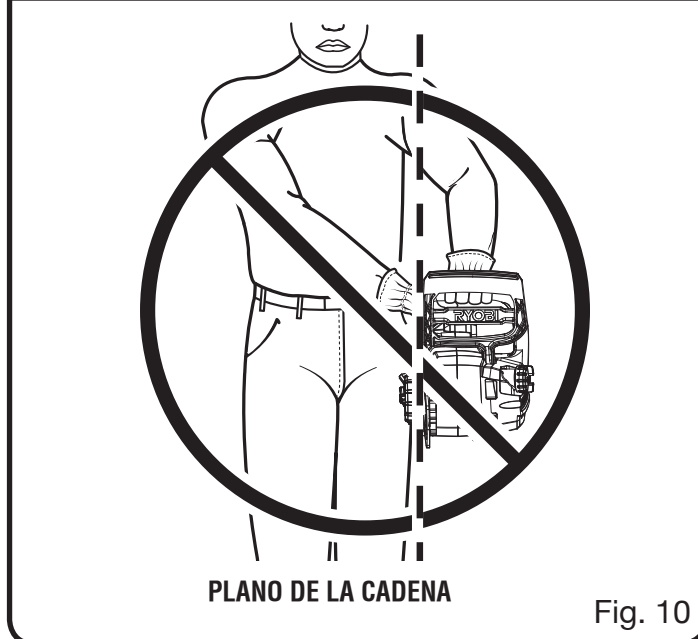


Fig. 10

# UTILISATION

## POSITION DE COUPE CORRECTE

Voir les figures 11 et 12.

### **⚠ AVERTISSEMENT :**

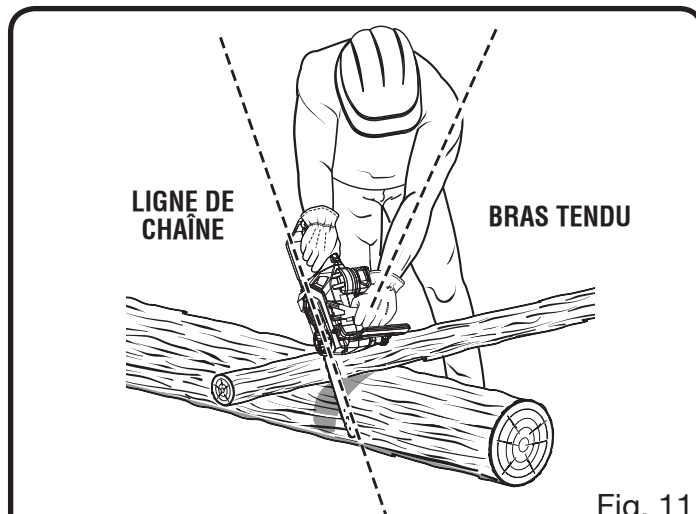
Toujours, employer une position de coupe adéquate comme décrite dans ce chapitre. Ne jamais s'agenouiller pendant l'utilisation de la scie à chaîne sauf pour abattre un arbre comme démontré à la figure 12. Le fait de s'agenouiller peut provoquer une déstabilisation et une perte de contrôle de la scie à chaîne et provoquer des blessures graves.

- Se tenir bien campé et en équilibre sur les deux pieds, sur un sol ferme.
- Garder le bras gauche tendu afin de pouvoir résister à la force d'un éventuel rebond.
- Toujours garder le corps à gauche de la ligne de chaîne.
- Garder le pouce au-dessous de la poignée.

## MÉTHODE DE COUPE ÉLÉMENTAIRE

S'exercer en coupant quelques petites branches avec la technique décrite ci-après, pour se familiariser avec la scie avant d'entreprendre un travail de coupe important.

- Se mettre en position correcte, face à la pièce à couper, avec la scie arrêtée.
- Appuyer sur la commutateur et laisser la chaîne parvenir à pleine vitesse avant de commencer la coupe.
- Commencer la coupe avec la scie appuyée contre la bille.
- Maintenir un régime moteur uniforme pendant toute la durée de la coupe.
- Laisser la scie effectuer le travail, ne la pousser que légèrement vers le bas. Une force excessive pourrait endommager la chaîne, le guide ou le moteur.
- Relâcher la commutateur dès que la coupe a été effectuée et attendre que la chaîne s'immobilise. Le fonctionnement sans charge de coupe peut inutilement causer une usure excessive de la chaîne du guide et du moteur.
- Ne pas appuyer sur la scie en fin de coupe.



## PRÉCAUTIONS DE CHANTIER

- Ne couper que du bois ou des matériaux dérivés du bois. Ne jamais couper de la tôle, des matières plastiques, du béton ou matériaux de construction autres que le bois.
- Ne jamais laisser un enfant utiliser la scie. Ne jamais laisser quiconque n'ayant pas lu le manuel d'utilisation ou reçu des instructions appropriées concernant la sécurité et l'utilisation correcte de la scie.
- Lors de l'abattage, tenir les autres travailleurs, badauds et animaux domestiques à distance sécuritaire de la zone de travail. Pour l'abattage, la distance sécuritaire doit être au moins deux fois la taille de l'arbre le plus grand se trouvant dans la zone de coupe. Pendant l'ébranchage, maintenir une distance d'au moins 4,5 m (15 pi) entre les travailleurs. Les arbres ne doivent pas être abattus d'une manière risquant de mettre quiconque en danger, de heurter une ligne électrique ou de causer des dommages matériels. Si une ligne électrique est heurtée, la compagnie d'électricité doit être immédiatement notifiée.

# UTILISATION

- Toujours couper avec les deux pieds posés sur un sol ferme pour éviter toute perte d'équilibre.
- Ne pas couper au-dessus du niveau de la poitrine, car il est difficile de contrôler une scie maintenue plus haut en cas de rebond.
- Ne pas abattre d'arbres se trouvant à proximité de lignes électriques ou de bâtiments. Ce type de travail doit être confié à des professionnels.
- Ne couper que lorsque la visibilité et la lumière permettent de voir clairement.

## ABATTAGE D'ARBRES

Voir les figures 13 à 16.

### SITUATIONS DANGEREUSES

#### **⚠ AVERTISSEMENT :**

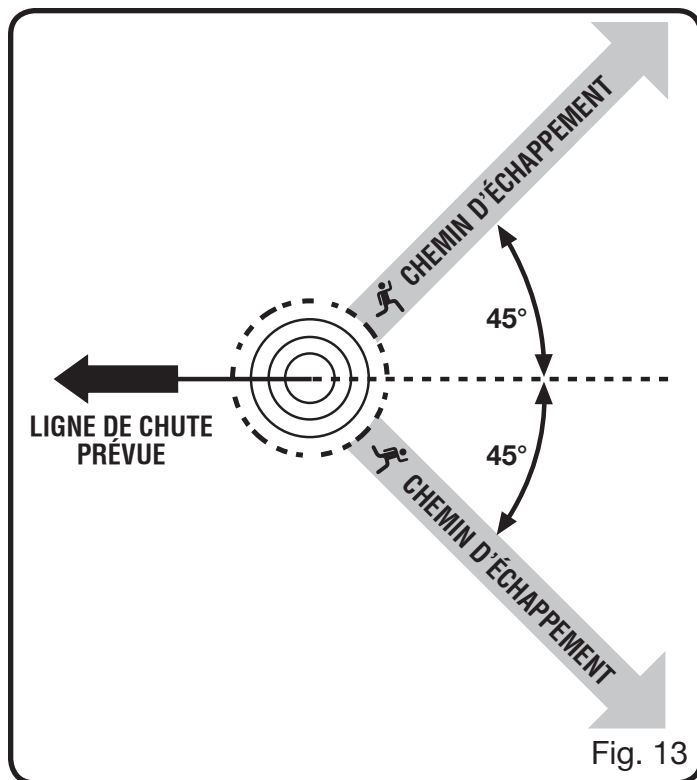
Ne pas effectuer d'abattage par grand vent ou en cas de fortes précipitations. Attendre que le temps se calme.

#### **⚠ AVERTISSEMENT :**

Surveiller attentivement les branches brisées ou mortes qui peuvent tomber pendant le taillage et éviter de tailler près des édifices ou fils électriques si la direction de la chute de l'arbre est incertaine. Ne pas tailler le soir ou pendant des conditions climatiques mauvaises, comme sous la pluie, la neige, lors de vents forts. Ces conditions peuvent réduire la visibilité et la manoeuvrabilité de la scie à chaîne. Si l'arbre à abattre entre en contact avec tout câble de service public, il faut cesser l'utilisation de la scie à chaîne et informer immédiatement le fournisseur de service public. Ne pas suivre ces directives peut causer des blessures graves ou mortelles.

Lors de l'abattage d'un arbre il est impératif de suivre le avertissements et les instructions pour éviter des risques de blessure grave.

- Ne pas couper d'arbres extrêmement inclinés ou de gros arbres aux branches pourries, à l'écorce décollée ou au tronc creux. Ces arbres doivent être poussés ou tirés à terre par un engin de chantier lourd avant d'être débités.
- Ne pas abattre d'arbres se trouvant à proximité de lignes électriques ou de bâtiments.



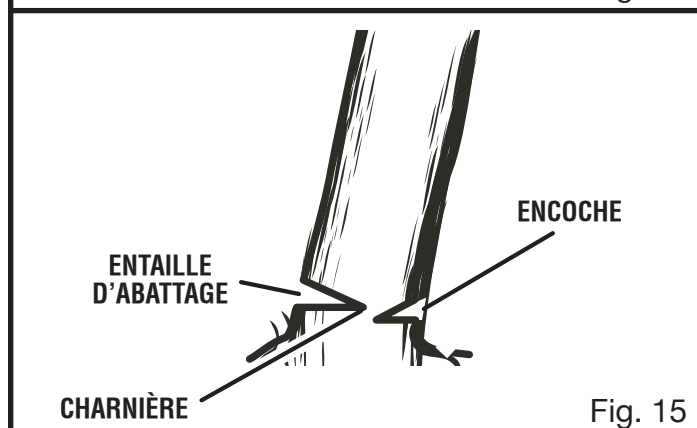
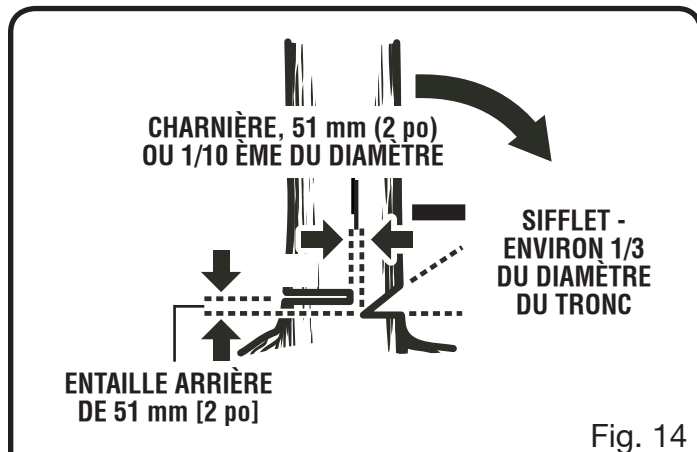
- Regarder si l'arbre comporte des branches mortes ou endommagées, risquant de tomber et de heurter l'utilisateur pendant l'abattage.
- Pendant la coupe du trait d'abattage, observer de temps à autre la cime de l'arbre pour s'assurer qu'il tombera dans la direction souhaitée.
- Si l'arbre commence à tomber dans le mauvais sens ou si la scie est pincée ou bloquée pendant la chute, l'abandonner et s'échapper !
- Abattage - Lorsque deux personnes ou plus effectuent des opérations de tronçonnage à proximité d'un abattage, elles doivent se trouver à une distance correspondant à au moins deux fois la hauteur de l'arbre abattu. Les arbres ne doivent pas être abattus d'une manière risquant de mettre quiconque en danger, de heurter une ligne électrique ou de causer des dommages matériels. Si une ligne électrique est heurtée, la compagnie d'électricité doit être immédiatement notifiée.
- Avant de commencer une coupe, déterminer un chemin d'échappement (ou plusieurs au cas où le chemin prévu serait bloqué) débarrasser les environs immédiats et s'assurer qu'aucun obstacle se trouve sur le chemin d'échappement prévu. Les trajectoires sécuritaires du chemin d'échappement doivent se situer à l'arrière et en diagonale (45°) à l'arrière de la ligne de chute



# UTILISATION

prévue. Lorsque l'arbre commence à tomber, il faut s'écarter de la ligne de chute et suivre le chemin d'échappement et s'éloigner d'au moins 6 m (20 pi) du tronc au cas où l'arbre rebondirait sur la souche. *Voir la figure 13.*

- Avant de commencer l'abattage, tenir compte de la force et de la direction du vent, de l'inclinaison et de l'équilibre de l'arbre et de la position des grosses branches. Tous ces facteurs influencent la direction dans laquelle l'arbre tombera. Ne pas faire levier pour abattre un arbre dans une direction autre que la ligne de chute naturelle.
- L'opérateur doit se tenir en amont de l'arbre, étant donné qu'une fois abattu, l'arbre glissera ou roulera vers le bas de la pente.
- Éliminer la terre, les pierres, l'écorce décollée, les clous, agrafes et fils métallique des endroits où les entailles doivent être pratiquées.
- **Entaille de dessous.** Pratiquer une entaille d'environ le tiers du diamètre du tronc, perpendiculairement à la ligne de chute. Veiller à ce que les entailles du sifflet se rejoignent à angle droit par rapport à la ligne de chute. Le sifflet doit être taillé de façon à présenter une ligne droite. Pour empêcher le pincement de la scie sous le poids du bois, toujours effectuer l'entaille inférieure en premier. *Voir la figure 14.*
- **Entaille d'abattage.** L'entaille d'abattage doit toujours être de niveau et horizontale et effectuée à au moins 51 mm (2 po) au-dessus de l'entaille horizontale du sifflet. *Voir les figures 14 et 15.*
- Ne jamais couper jusqu'au sifflet. Toujours laisser une épaisseur de bois d'environ 51 mm (2 po) ou 1/10ème du diamètre du tronc entre l'entaille d'abattage et le sifflet. Ceci s'appelle une « charnière ». Cette charnière contrôle la chute de l'arbre et empêche le tronc de glisse, de pivoter ou de basculer sur la souche. *Voir les figures 14 et 15.*
- Sur les arbres de grand diamètre, arrêter le trait d'abattage avant qu'il ne soit assez profond pour causer la chute de l'arbre ou son affaissement sur la souche. Ensuite, insérer des coins en bois ou en plastique dans le trait, de façon à ce qu'ils ne touchent pas la chaîne. Les coins peuvent être enfoncés petit à petit pour faire levier sur l'arbre. *Voir la figure 16.*
- Dès que l'arbre commence à tomber, arrêter la scie et la poser immédiatement à terre. S'échapper par



le chemin dégagé tout en prenant garde que rien ne tombe vers soi. Se méfier des branches risquant de tomber et regarder où l'on met les pieds.

## ⚠ AVERTISSEMENT :

Ne jamais couper l'entaille d'abattage jusqu'au sifflet. La charnière, qui est la section de bois laissée intacte entre le trait d'abattage et le sifflet contrôle la chute de l'arbre.

# UTILISATION

## ÉLIMINATION DES RACINES ÉCHASSES

Voir la figure 17.

Une racine échasse est une grosse racine qui s'étend à partir du tronc au-dessus du sol. Retirer les grosses racines échasses avant d'abattre l'arbre. Pratiquer d'abord l'entaille horizontale dans la racine échasse, puis l'entaille verticale. Éloigner la section coupée de la zone de travail. Une fois que les grandes racines échasses sont éliminées, suivre la procédure d'abattage correcte.

## DÉBITAGE

Voir les figures 18 à 21.

Tronçonnage est le terme utilisé pour la coupe d'un arbre abattu en billes de la taille désirée.

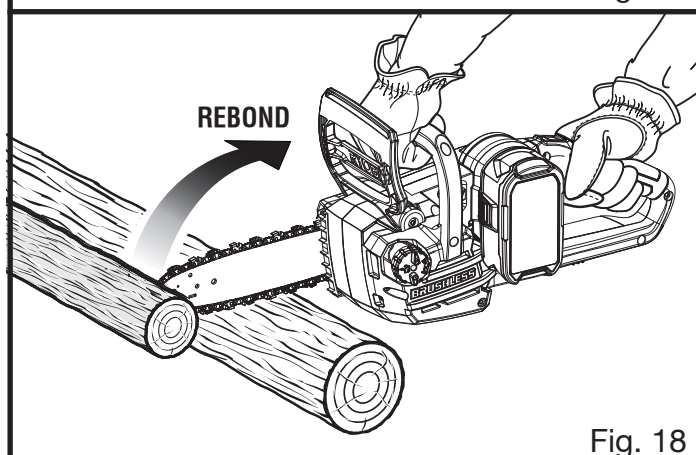
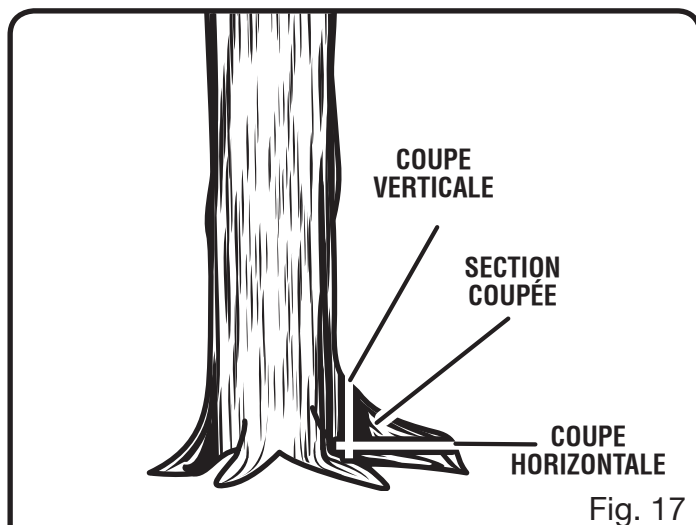
- Toujours veiller à se tenir bien campé et en équilibre, le poids également réparti sur les deux pieds.
- Ne couper qu'une bille à la fois.
- Soutenir les petites billes avec un chevalet ou une autre bille.
- Garder le lieu de travail propre et déblayé. S'assurer que rien ne risque d'entrer en contact avec l'extrémité du guide et la chaîne, car cela pourrait causer un rebond. Voir **Rebond**, plus haut dans ce manuel.
- Lors du tronçonnage sur une pente, toujours se tenir en amont de la bille. En fin de coupe, réduire la pression exercée sur la scie, sans relâcher la prise des deux mains sur les poignées afin de garder le contrôle de la scie. Ne pas laisser la chaîne heurter le sol. Une fois la coupe terminée, attendre l'immobilisation complète de la chaîne avant de se déplacer. Toujours arrêter le moteur avant de passer d'un arbre à un autre.
- Il est parfois impossible d'éviter le pincement (en employant seulement les techniques de coupe standard) ou difficile de prévoir dans quel sens la bille va ployer lorsqu'elle est coupée. Tourner ou déplacer la bille pendant la coupe pour éviter un pincement.

## DÉBITAGE DE BILLES SOUS CONTRAINTE

Voir les figures 20 et 21.

Lorsqu'une bille est soutenue sur toute sa longueur, elle doit être coupée par le dessus.

Lorsqu'une bille est soutenue à une extrémité, elle doit être coupée par le dessous, jusqu'au tiers de



# UTILISATION

son diamètre. Ensuite la coupe de finition doit être pratiquée par le dessus, de manière à rejoindre la coupe initiale.

À mesure qu'elle est coupée, la bille a tendance à fléchir. Si la première coupe dépasse le tiers du diamètre de la bille, la lame risque d'être pincée ou bloquée dans l'entaille.

Prêter une attention particulière aux billes sous contrainte pour éviter que le guide et la chaîne ne soient pincés.

Lors du tronçonnage sur une pente, toujours se tenir en amont de la bille, comme le montre la figure 19. En fin d'une coupe « traversante », réduire la pression exercée sur la scie, sans relâcher la prise des deux mains sur les poignées afin de garder le contrôle total de la scie. Ne pas laisser la chaîne heurter le sol. Une fois la coupe terminée, attendre l'immobilisation complète de la chaîne avant de se déplacer. Toujours arrêter le moteur avant de passer à un autre arbre.

## TYPES DE COUPE UTILISÉS

Voir la figure 21.

### COUPE PAR LE DESSUS

Commencer sur le dessus de la bille, le bas de la scie appuyé contre le bois et exercer une légère pression vers le bas. Noter que la scie aura tendance à tirer vers l'avant.

### COUPE PAR LE DESSOUS

Commencer par le dessous de la bille, le haut de la scie appuyé contre le bois et exercer une légère pression vers le haut. Noter que la scie aura tendance à pousser vers l'utilisateur. Être préparé à cette réaction et maintenir la scie fermement pour garder le contrôle.

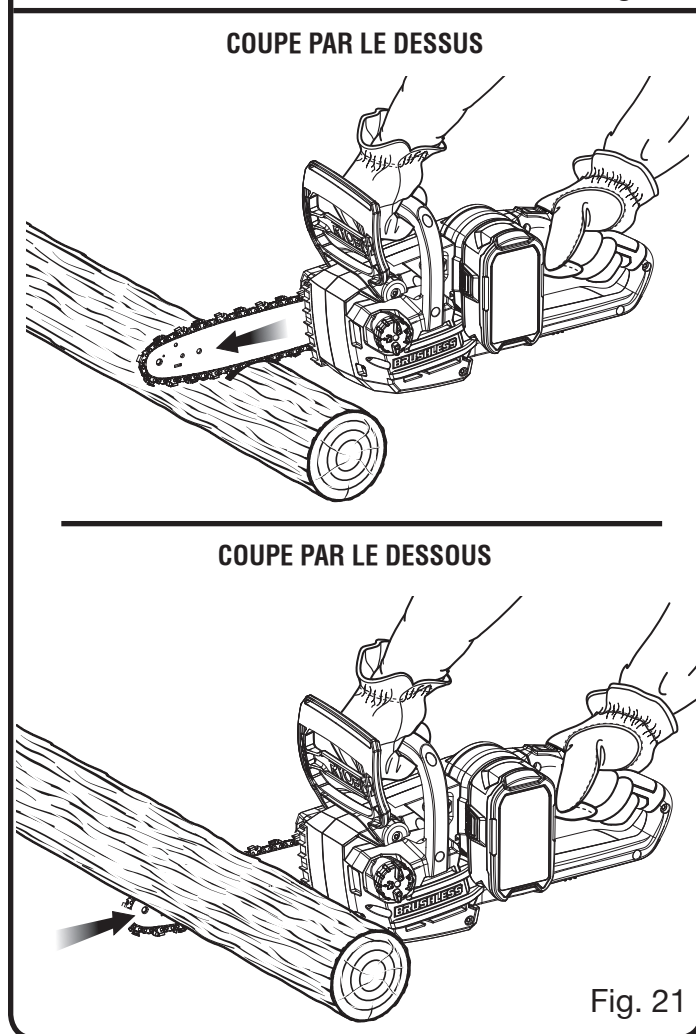
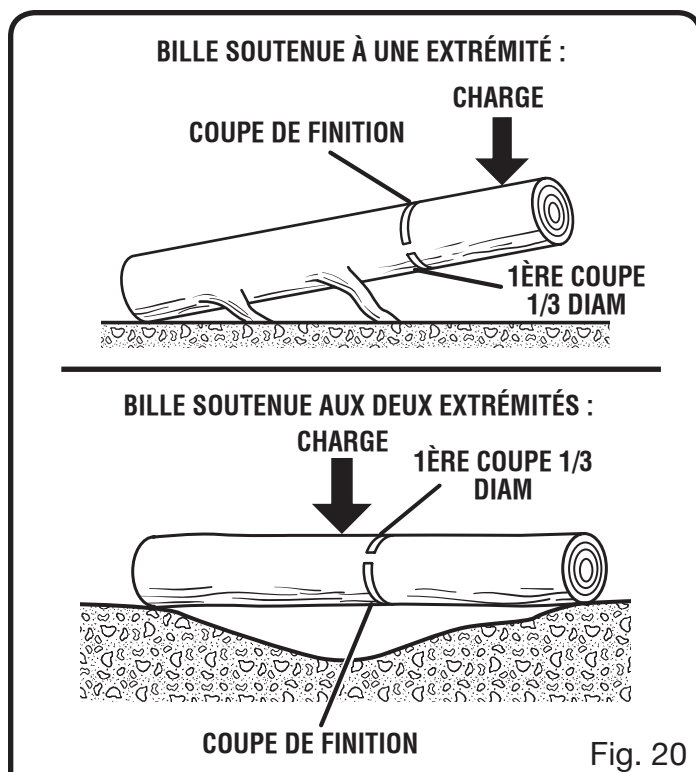
## ÉBRANCHAGE

Voir la figure 22.

### ⚠ AVERTISSEMENT :

Ne jamais grimper dans un arbre pour l'ébrancher ou l'émonder. Ne pas travailler en se tenant sur une échelle, une plate-forme, dessus de toit ou une bille, ni se tenir dans une position risquant de faire perdre l'équilibre ou le contrôle de la scie, ce qui peut causer la mort ou d'autres blessures graves.

L'ébranchage consiste à couper les branches d'un arbre abattu.



# UTILISATION

- Travailler lentement et tenir la scie fermement à deux mains. Toujours veiller à se tenir bien campé et en équilibre sur les deux pieds.
- Ne pas couper les grosses branches soutenant l'arbre, afin de le maintenir à distance du sol.
- Ne couper qu'une branche à la fois. Éloigner les branches coupées de la zone de travail fréquemment pour maintenir l'endroit dégagé et sûr.
- Les branches sous tension doivent être coupées par le dessous pour éviter le pincement de la chaîne.
- Pendant l'ébranchage, garder le tronc entre le corps et la scie. Couper en se tenant du côté du tronc opposé à la branche à couper.

## ÉLAGAGE

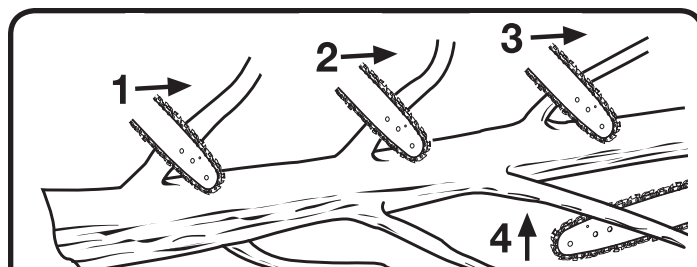
Voir la figure 23.

L'élagage consiste à couper les branches d'un arbre sur pied.

- Travailler lentement et tenir la scie fermement à deux mains. Toujours veiller à se tenir bien campé et en équilibre sur les deux pieds.
- Ne pas utiliser la scie en se tenant sur une échelle, ce qui est extrêmement dangereux. Ce type de travail doit être confié à des professionnels.
- Ne pas couper au-dessus du niveau de la poitrine, car il est difficile de contrôler une scie maintenue plus haut en cas de rebond.
- Lors de l'élagage il est important de ne pas couper au ras d'une branche maîtresse ou du tronc avant d'avoir coupé la branche à distance pour en réduire le poids. Ceci évite d'endommager l'écorce.
- La première entaille doit être effectuée par le dessous, jusqu'au tiers du diamètre de la branche.
- La deuxième entaille doit être effectuée par le dessus pour faire tomber la branche.
- Ceci fait, la coupe finale peut être effectuée nettement au ras du tronc ou de la branche maîtresse, de façon à ce que l'écorce puisse pousser pour sceller la plaie.

### AVERTISSEMENT :

Si les branches à couper se trouvent au-dessus du niveau de la poitrine, confier le travail à un professionnel. Ne pas prendre cette précaution peut entraîner des blessures graves ou mortelles.



COUPER LES BRANCHES UNE À UNE ET LAISSER CELLES SOUTENANT LE TRONC JUSQU'À CE QU'CELUI-CI SOIT DÉBITÉ

Fig. 22

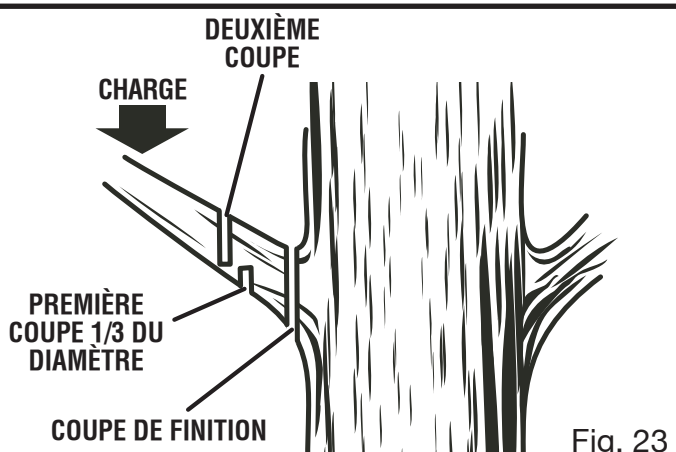


Fig. 23

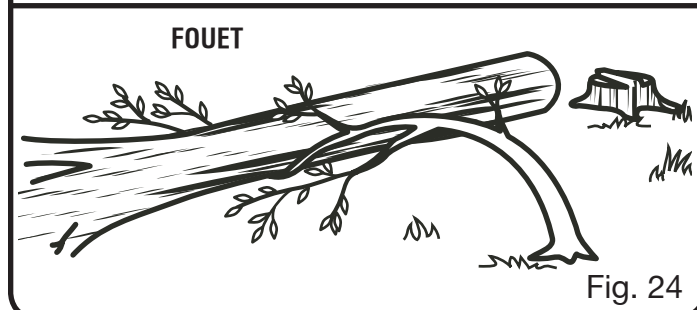


Fig. 24

## FOUETS

Voir la figure 24.

Un fouet est une bille, une branche, une souche déracinée ou un arbrisseau fléchi sous tension par une autre pièce de bois qui se détendra une fois que cette pièce est coupée ou enlevée. La souche déracinée d'un arbre abattu risque fortement de se remettre à la verticale lorsque la coupe destinée à séparer le tronc de la souche est effectuée. Se méfier des fouets, ils sont dangereux.

### AVERTISSEMENT :

Les fouets sont dangereux et peuvent heurter l'opérateur, lui faisant perdre le contrôle de la scie. Ceci peut entraîner des blessures graves ou mortelles.

# ENTRETIEN

## **⚠ AVERTISSEMENT :**

Pour empêcher un démarrage accidentel pouvant entraîner des blessures graves, toujours retirer le piles de l'produit avant tout nettoyage ou entretien.

## **⚠ AVERTISSEMENT :**

Toujours porter une protection oculaire avec écrans latéraux certifiée conforme à la norme ANSI Z87.1 ainsi qu'une protection auditive et un casque. Si cette précaution n'est pas prise, des objets peuvent être projetés dans les yeux et causer des lésions graves.

## **⚠ AVERTISSEMENT :**

Utiliser exclusivement des pièces d'origine pour les réparations. L'usage de toute autre pièce pourrait créer une situation dangereuse ou endommager l'produit.

## **AVIS :**

Inspecter périodiquement au complet le produit afin de s'assurer qu'aucune pièce (vis, écrous, boulons, chapeaux, etc.) n'est endommagée, manquante ou desserrée. Serrer solidement toutes les pièces de fixation et les chapeaux et ne pas utiliser le produit tant que toutes les pièces manquantes ou endommagées n'ont pas été remplacées. Veuillez communiquer avec le service à la clientèle ou un centre de réparations autorisés pour obtenir de l'aide.

## **ENTRETIEN GÉNÉRAL**

Éviter d'utiliser des solvants pour le nettoyage des pièces en plastique. La plupart des matières plastiques peuvent être endommagées par divers types de solvants du commerce. Utiliser un chiffon propre pour éliminer la saleté, la poussière, l'huile, la graisse, etc.

## **⚠ AVERTISSEMENT :**

Ne jamais laisser de liquides tels que le fluide de freins, l'essence, les produits à base de pétrole, les huiles pénétrantes, etc., entrer en contact avec les pièces en plastique. Les produits chimiques peuvent endommager, affaiblir ou détruire le plastique, ce qui peut entraîner des blessures graves.

## **REMPACEMENT DU GUIDE ET DE LA CHAÎNE**

*Voir les figures 25 à 33.*

## **⚠ AVERTISSEMENT :**

Retirer le bloc-pile et s'assurer que la chaîne s'est immobilisée avant d'entreprendre tout travail sur la scie. Ne pas débrancher l'outil peut causer un démarrage accidentel, entraînant des blessures graves.

## **⚠ AVERTISSEMENT :**

Pour éviter des blessures graves, lire et veiller à bien comprendre les instructions de sécurité contenues dans cette section.

## **⚠ AVERTISSEMENT :**

Ne jamais toucher ou régler la chaîne lorsque le moteur tourne. La chaîne de la scie est extrêmement tranchante. Toujours porter des gants lors de son entretien pour éviter des lacérations profondes.

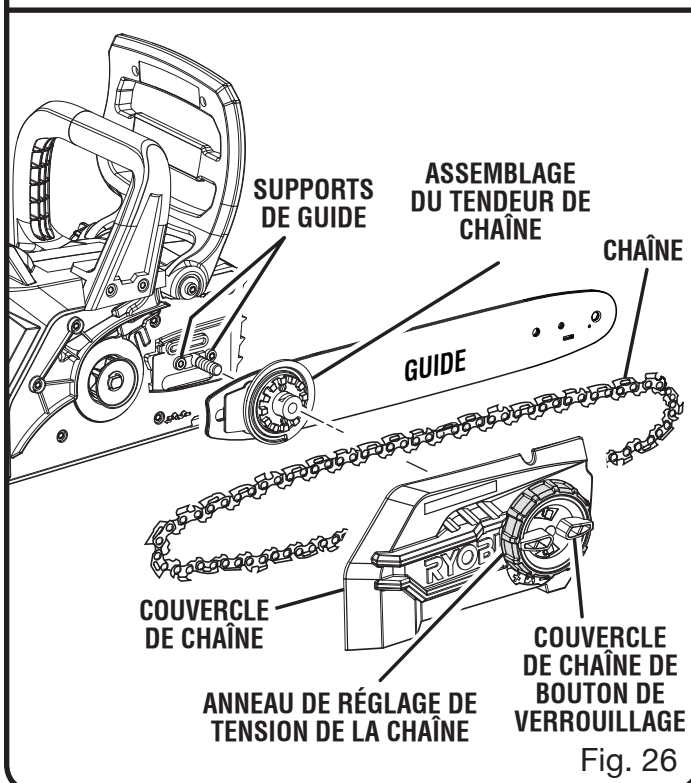
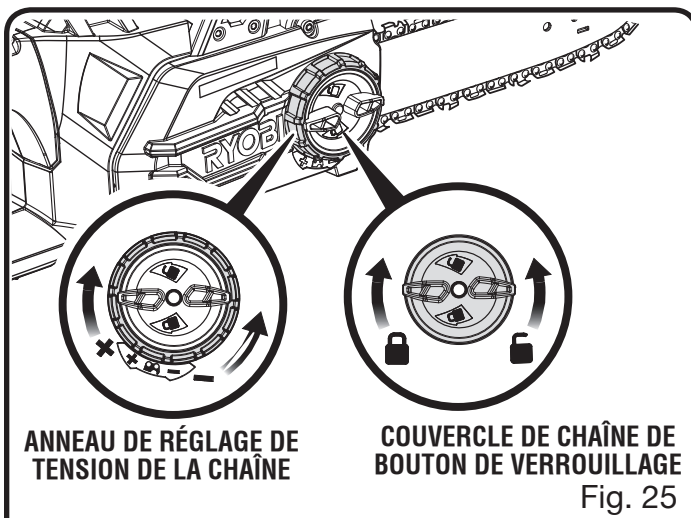
## **⚠ ATTENTION :**

Toujours porter des gants lors de la manipulation du guide et de la chaîne qui sont tranchants et peuvent présenter des bavures.

- Retirer le bloc-piles avant d'entreprendre tout travail sur la scie.
- Tournez couvercle de chaîne de bouton de verrouillage gauche jusqu'à ce que le couvercle puisse être retiré.
- Retirer le couvercle de chaîne.
- Tourner complètement l'assemblage du tendeur de chaîne vers la gauche.

# ENTRETIEN

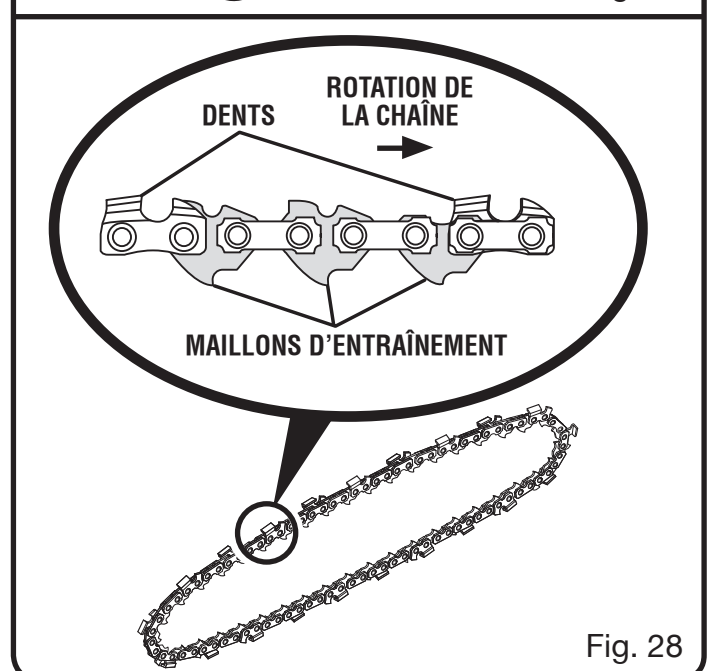
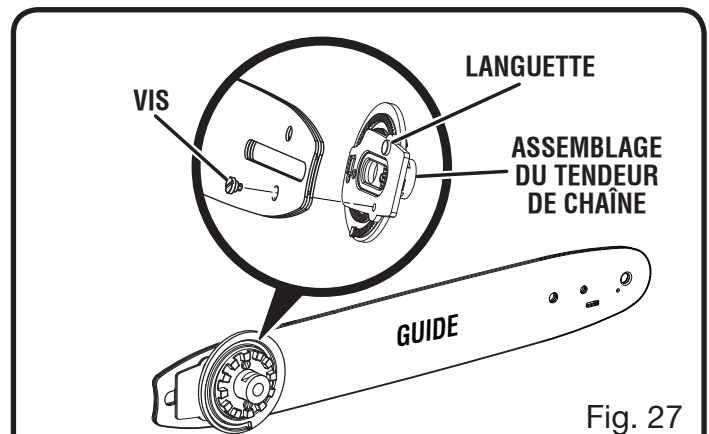
- Retirer le guide et la barre de leur support.
- Retirer la chaîne usée du guide.
- Retirer le vis et l'assemblage du tendeur de chaîne du guide-chaîne usé.
- Installer l'ensemble de tension de chaîne sur le nouveau guide en insérant la tige dans un trou du guide et en installant la vis dans l'autre trou. Serrer fermement.
- Former une boucle avec la nouvelle chaîne et éliminer les entortillements. Les gouges doivent être orientées dans le sens de rotation de la chaîne. Si elles sont orientées dans le sens contraire, retourner la boucle.



- Engager les maillons d'entraînement de la chaîne dans la rainure du guide conformément à l'illustration.

**NOTE :** S'assurer du sens de la chaîne.

- Positionner la chaîne de façon à obtenir une boucle à l'arrière du guide.
- Maintenir la chaîne en place sur le guide et engager la boucle sur le pignon.
- Ajuster le guide au ras de la surface de montage, de manière à ce que ses supports s'engagent dans la fente longue du guide.
- Tourner l'assemblage du tendeur de chaîne vers la droite sur quelques tours afin d'obtenir un mou suffisant de la chaîne pour qu'elle tienne en place.
- Remettre le couvercle de chaîne.
- Tournez droit le la couvercle de chaîne de bouton de verrouillage serrer. Le mouvement du guide est nécessaire pour le réglage de la tension.



# ENTRETIEN

- Éliminer complètement le mou de la chaîne en tournant l'anneau de réglage de tension de la chaîne vers la droite jusqu'à ce que la chaîne soit bien ajustée sur le guide, les maillons d'entraînement étant engagés dans la rainure du guide.
- Relever l'extrémité du guide pour vérifier le mou.
- Lâcher l'extrémité du guide et tourner la bouton de tension de la chaîne de 1/2 tour vers la droite. Répéter l'opération jusqu'à ce que le mou soit complètement éliminé.
- Maintenir l'extrémité du guide et serrer fermement le couvercle de chaîne de bouton de verrouillage.

Une chaîne est correctement tendue lorsqu'elle ne présente pas de mou au dessous du guide et qu'elle est bien serrée, mais peut cependant être tournée à la main sans se gripper.

**NOTE :** Si la chaîne est trop tendue, elle ne peut pas tourner. Desserre légèrement couvercle de chaîne de bouton de verrouillage et tourner l'anneau de réglage

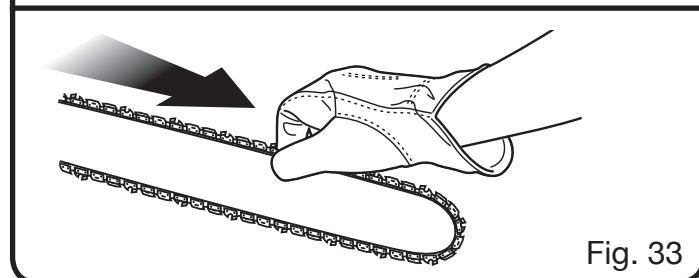
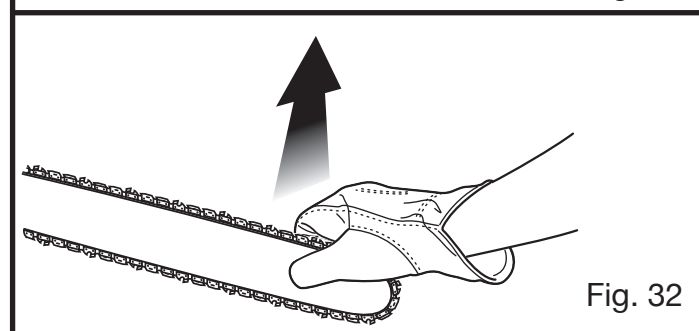
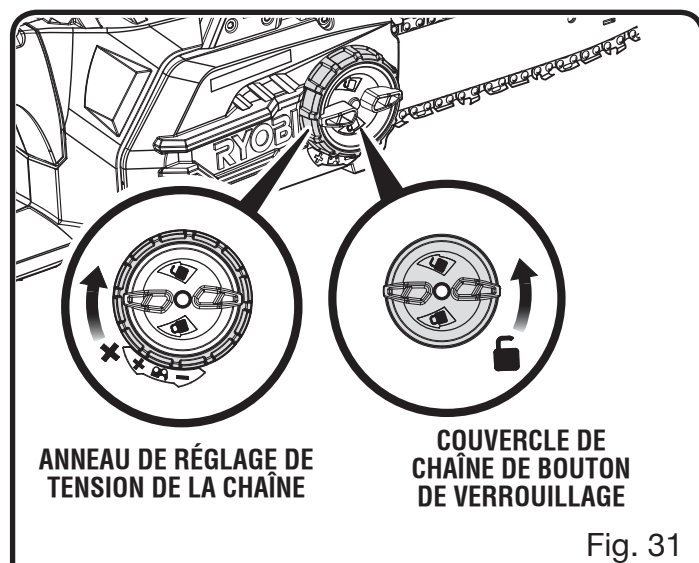
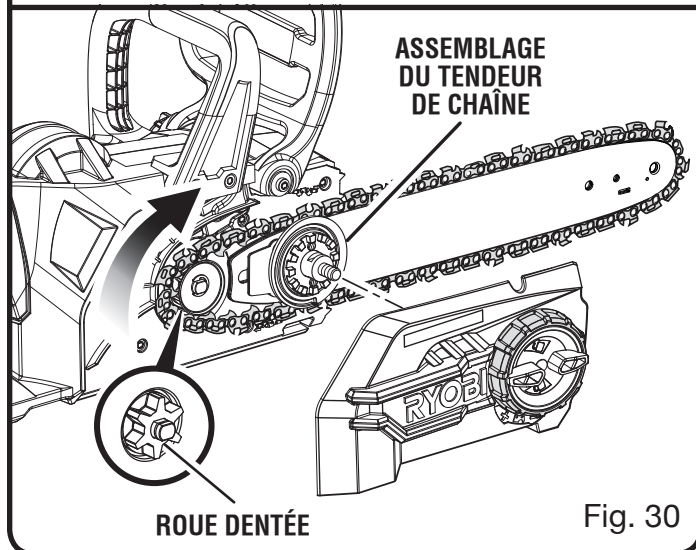
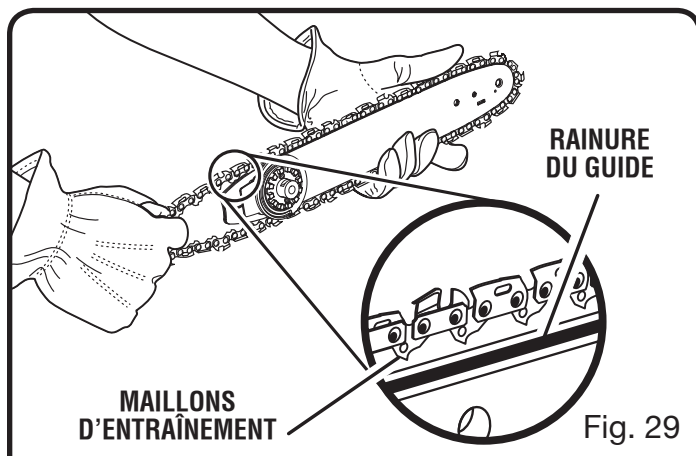
de tension de la chaîne 1/4 de tour vers la gauche. Relever l'extrémité du guide et serrer fermement couvercle de chaîne de bouton de verrouillage. Vérifier que la chaîne peut tourner sans se gripper.

## RÉGLAGE DE LA TENSION DE LA CHAÎNE

Voir les figures 34 et 35.

### ⚠ AVERTISSEMENT :

Arrêter le moteur et retirer le bloc-piles. Ne jamais toucher ou régler la chaîne lorsque le moteur tourne. La chaîne est extrêmement tranchante. Toujours porter des gants lors de l'entretien de la chaîne. Des blessures graves peuvent survenir si ces instructions ne sont pas respectées.



# ENTRETIEN

- Couper le moteur et débranchez de la source de courant avant de régler la tension de la chaîne.
- Desserre légèrement couvercle de chaîne de bouton de verrouillage.
- Tourner l'anneau de réglage de tension de la chaîne vers la droite pour tendre la chaîne.  
**NOTE :** Une chaîne froide est correctement tendue lorsqu'elle ne présente pas de mou au dessous du guide et qu'elle est bien serrée mais peut cependant être tournée à la main sans se gripper.
- Tournez droit couvercle de chaîne de bouton de verrouillage la droite pour fixer.

La chaîne doit être retendue lorsque les méplats des maillons d'entraînement sortent de la rainure du guide.

**NOTE :** Pendant l'utilisation normale de la scie, la température de la chaîne augmente. Les maillons d'entraînement d'une chaîne chaude correctement tendue pendent à environ 1,25 mm (0,050 po) au-dessous de la rainure du guide.

**NOTE :** Les chaînes neuves ont tendance à s'étirer. Il convient donc de vérifier fréquemment leur tension et de la corriger le cas échéant.

## AVIS :

Une chaîne réglée à chaud peut présenter une tension excessive une fois refroidie. Vérifier la « tension à froid » avant l'utilisation suivante.

## ENTRETIEN DE LA CHAÎNE

Voir les figures 36 et 37.

## ⚠ AVERTISSEMENT :

Retirer le bloc-pile et s'assurer que la chaîne s'est immobilisée avant d'entreprendre tout travail sur la scie pour éviter un démarrage accidentel et des blessures graves.

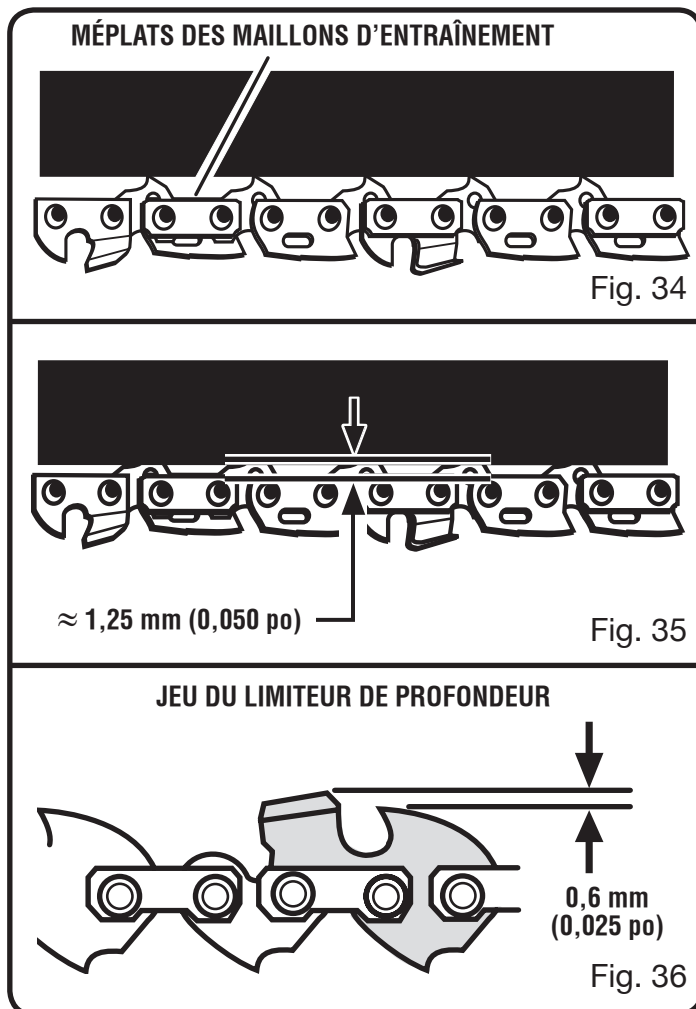
Utiliser exclusivement des chaînes à rebond réduit sur cette scie. Correctement entretenue, cette chaîne à coupe rapide réduira les risques de rebond.

Pour couper rapidement et nettement, la chaîne doit être correctement entretenue.

La chaîne doit être affûtée lorsque les copeaux de bois sont petits et poudreux, lorsqu'il est nécessaire de forcer sur la scie pour couper ou lorsque la chaîne ne coupe que d'un côté. Lors de l'entretien de la chaîne, tenir compte des points suivants :

- Un angle d'affûtage incorrect de la plaque latérale peut accroître les risques de rebond puissant.
- Jeu du limiteur de profondeur.
  - Un réglage trop profond accroît le risque de rebond.
  - Un réglage pas assez profond réduit la capacité de coupe.
- Si les dents de la chaîne heurtent des objets durs tels que des clous ou des pierres, ou sont abrasées par du sable ou de la boue se trouvant sur le bois, la faire affûter dans un centre de réparations agréé.

**NOTE :** Lors du remplacement de la chaîne, s'assurer que le pignon d'entraînement n'est ni usé, ni endommagé. En cas de signes d'usure ou de dommages aux endroits indiqués faire remplacer le pignon dans un centre de réparations Ryobi.





## COMMENT AFFÛTER LES DENTS

Voir les figures 38 - 40.

**NOTE :** Si les instructions d'affûtage de la chaîne ne sont pas bien comprises confier l'affûtage de la chaîne à un centre de réparations agréé ou la remplacer par une chaîne à rebond réduit recommandée.

Veiller à limer toutes les dents aux angles spécifiés et à la même longueur, car une coupe rapide ne peut être obtenue qu'avec des dents uniformes.

### ⚠ AVERTISSEMENT :

La chaîne de la scie est extrêmement tranchante. Toujours porter des gants lors de son entretien pour éviter des blessures graves.

- Tendre la chaîne correctement avant de l'affûter. Voir la section **Réglage de la tension de chaîne** plus haut dans ce manuel. Tout le limage doit être effectué au point central du guide.
- Utiliser une lime ronde de 4,5 mm (5/32 po), et un porte-lime.
- Garder la lime de niveau avec la plaque supérieure de la dent. Ne pas incliner la lime ou utiliser un mouvement de bascule.
- Exercer une pression légère mais ferme et limer en direction du coin avant de la dent.
- Soulever la lime du métal à chaque retour.
- Effectuer quelques passes fermes sur chaque dent. Limer toutes les gouges de gauche dans un sens. Ensuite, passer à l'autre côté et limer toutes les gouges de droite dans l'autre sens. De temps à autre, éliminer la limaille de la lime au moyen d'une brosse métallique.

### ⚠ AVERTISSEMENT :

Un affûtage incorrect de la chaîne accroît le risque de rebond, ce qui peut causer des blessures graves.

### ⚠ AVERTISSEMENT :

L'utilisation d'une chaîne endommagée peut causer de blessures graves.

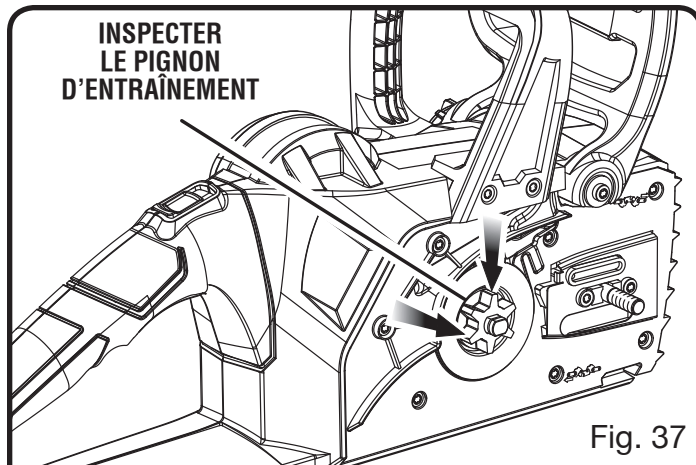


Fig. 37

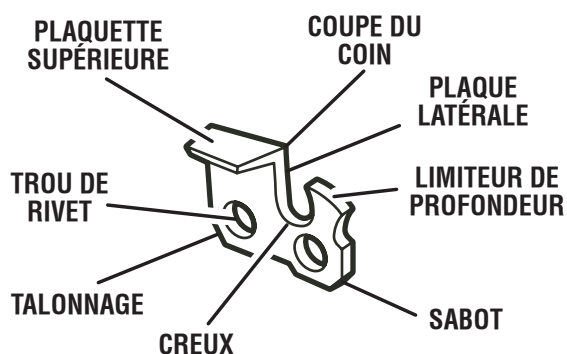


Fig. 38

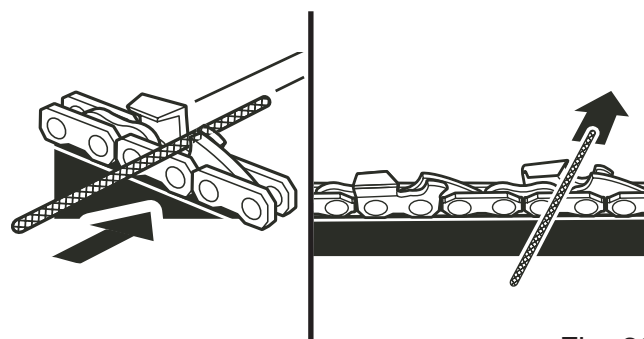


Fig. 39

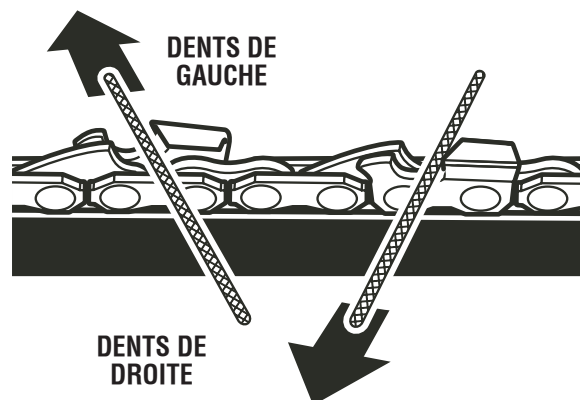


Fig. 40

## ANGLE D’AFFÛTAGE DE LA PLAQUE SUPÉRIEURE

Voir la figure 41.

- **CORRECT 30°** - Les porte-limes sont dotés de repères permettant d’aligner la lime correctement, de façon à obtenir un angle de plaque supérieure satisfaisant.
- **MOINS DE 30°** - Pour les coupes transversales.
- **PLUS DE 30°** - Tranchant aminci, s’émousse rapidement.

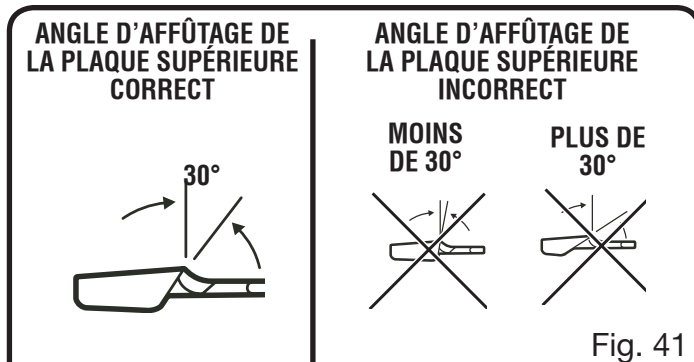


Fig. 41

## ANGLE DE PLAQUE LATÉRALE

Voir la figure 42.

- **CORRECT - 80°** - Obtenu automatiquement si une lime de taille appropriée est placée dans le porte-lime.
- **CROCHET** - « Accroche » le bois et s’émousse rapidement. Accroît le risque de **REBOND**. Résulte de l’emploi d’une lime de trop petit diamètre ou d’une lime tenue trop bas.
- **ANGLE ARRIÈRE** - Nécessite une pression d’attaque excessive, causant l’usure prématurée du guide et de la chaîne. Résulte de l’emploi d’une lime de trop grand diamètre ou d’une lime tenue trop haut.

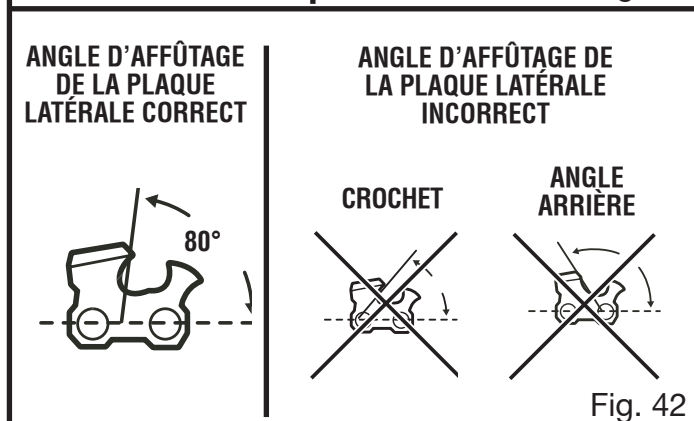


Fig. 42

## DÉGAGEMENT DE JAUGE DE PROFONDEUR

Voir les figures 43 à 45.

- Le jeu du limiteur de profondeur doit être maintenu à 0,6 mm (0,025 po). Utiliser un outil de réglage de jauge de profondeur pour vérifier les dégagements du limiteur de profondeur.
- Vérifier le jeu du limiteur de profondeur lors de chaque affûtage de la chaîne.

Utiliser une lime plate et un coupleur pour limer tous les limiteurs de profondeur uniformément. Les coupleurs de limiteur de profondeur sont disponibles en tailles 0,5 à 0,9 mm (0,020 à 0,035 po). Utiliser un calibre de jauge de profondeur de 0,6 mm (0,025 po). Après avoir abaissé chaque limiteur de profondeur, lui rendre sa forme d’origine en arrondissant l’avant. Veiller à ne pas endommager les maillons d’entraînement adjacents avec le bord de la lime.

Les limiteurs de profondeur doivent être ajustés avec la lime plate, dans le sens dans lequel les dents adjacentes ont été affûtées avec la lime ronde. Veiller

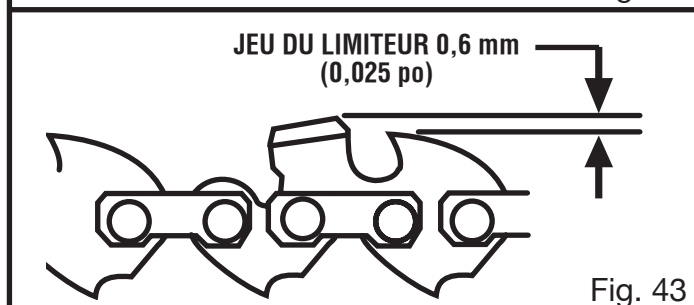


Fig. 43

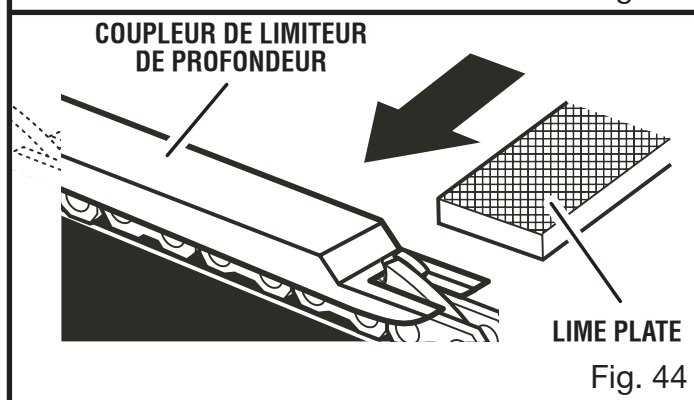


Fig. 44

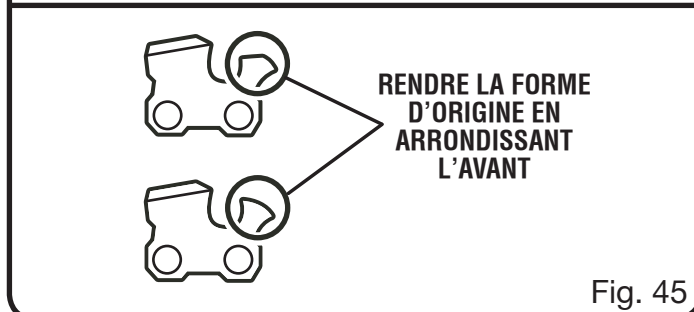


Fig. 45

# ENTRETIEN

à ne pas toucher la face de la gouge avec la lime plate lors de l'ajustement des limiteurs de profondeur.

## ENTRETIEN DU GUIDE

Lorsque le guide présente des signes d'usure, l'inverser afin de répartir l'usure et d'obtenir une vie utile maximum. Le guide doit être nettoyé après chaque journée d'utilisation et inspecté en vue d'usure ou de dommage.

Les déformations et barbes sur les rails du guide font partie de l'usure normale. Ces défauts doivent être limés dès qu'ils apparaissent.

Un guide présentant l'un ou plusieurs des défauts ci-dessous doit être remplacé.

- Usure de l'intérieur des rails permettant à la chaîne de se coucher sur le côté.
- Tige de guide.
- Rails fendus ou brisés.
- Rails écartés.

En outre lubrifier les tiges de guide doté d'un pignon d'extrémité chaque semaine. Injecter la graisse dans le trou de lubrification, à l'aide d'une seringue, une fois par semaine. Retourner le guide et s'assurer que les trous de lubrification et la rainure de chaîne sont propres.

**NOTE :** Ne pas remplacer la vis avec une vis ordinaire. Utiliser exclusivement des pièces identiques à celles d'origine pour les réparations.

## TRANSPORTING AND STORING

Voir la figure 46.

- Ne jamais remiser ou transporter la scie lorsque le moteur tourne. La chaîne doit toujours être immobilisée avant de remiser ou transporter la scie.
- Toujours placer le fourreau sur le tige de guide lors du transport ou du remisage de la scie. Veiller à ne pas se couper sur les dents de la chaîne.
- Nettoyer soigneusement la scie à chaîne avant de la remiser. Le remisage dans un endroit bien aéré, verrouillé et/ou inaccessible aux enfants.
- La tenir à l'écart de produits corrosifs, tels que les produits chimiques de jardinage et le sel de dégivrage.

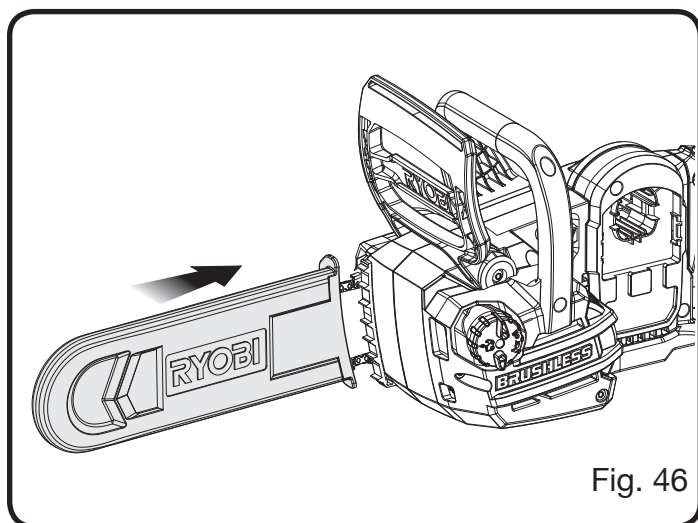


Fig. 46

## COMBINAISONS DE GUIDE ET CHÂÎNE

**Caractéristiques de la chaîne :** pas de 9,53 mm (3/8 po), trait d'abattage à profil bas, calibre de chaîne 1,1 mm (0,043 po), roue à 5 dents.

**Longueur  
du guide**  
12 po

**N° de référence  
du guide**  
312637001

**N° de référence  
de la chaîne**  
682117001

**Maillons  
d'entraînement**  
45

# DÉPANNAGE

Problème	Cause possible	Solution
Le guide et la chaîne chauffent et fument.	Regarder si la chaîne est trop tendue.  Réservoir d'huile vide.	Tendre la chaîne. Voir <b>Réglage de la tension de la chaîne</b> plus haut dans ce manuel.  Vérifier le niveau d'huile du réservoir.
Le moteur tourne, mais la chaîne ne se met pas en rotation.	Tension de la chaîne excessive.  Vérifier l'ensemble tige de guide et chaîne.  S'assurer que l'ensemble tige de guide et chaîne n'est pas endommagé.	Retendre la chaîne selon les instructions du chapitre <b>Réglage de la tension de la chaîne</b> , plus haut dans ce manuel.  Voir <b>Remplacement du guide et de la chaîne</b> plus haut dans ce manuel.  S'assurer que l'ensemble guide et chaîne n'est pas endommagé.
Le moteur tourne, la chaîne se met en rotation mais ne coupe pas.	Chaîne émoussée.  Chaîne montée à l'envers.	Faire affûter la chaîne.  Inverser le sens de la chaîne.
L'anneau de réglage de tension de la chaîne est difficile à tourner.	L'extrémité du tige de guide n'est pas surélevée.  Le bouton de verrouillage du couvercle de l'embrayage est trop serré.	Soulever l'extrémité du guide-chaîne tout en tournant le cadran de réglage de la tension.  Appuyer sur le bouton de verrouillage du couvercle de l'embrayage et le tourner dans le sens antihoraire afin de desserrer légèrement le couvercle de l'embrayage avant de tenter de régler la tension de la chaîne.



## NOUS APPELER D'ABORD

Pour toute question concernant l'utilisation ou l'entretien utiliser ce produit, appeler le service d'assistance téléphonique Ryobi®! Le taille-bordures à été entièrement testé avant expédition pour assurer la complète satisfaction de l'utilisateur.

## ÉNONCÉ DE LA GARANTIE LIMITÉE

Techtronic Industries North America, Inc., garantit à l'acheteur original que ce produit RYOBI® est exempt de tous vices de matériaux ou de fabrication et s'engage à réparer ou remplacer gratuitement, à son choix, tout produit s'avérant défectueux au cours des périodes indiquées ci-dessous, à compter de la date d'achat.

- Trois ans sur les produits utilisés par des particuliers ;
- 90 jours sur les produits utilisés à toutes autres fins, telles que les travaux commerciaux et la location.

Cette garantie n'est offerte qu'à l'acheteur original et entre en vigueur à la date de l'achat original.

Toute pièce de ce produit jugée, après évaluation raisonnable par Techtronic Industries North America, Inc., comme présentant des vices de matériaux ou de fabrication, sera réparée ou remplacée, sans facturation pour pièces ou main d'œuvre par un centre de réparations agréé pour produits d'extérieur de marque RYOBI® (centre de réparations Ryobi agréé).

Le produit, y compris toutes les pièces défectueuses devront être retournés à un centre de réparations Ryobi agréé, avant expiration de la période de garantie. Les frais d'expédition au centre de réparations pour les travaux sous garantie et de retour au propriétaire du produit seront assumés par le propriétaire. En ce qui concerne les réclamations en garantie, la responsabilité Techtronic Industries North America, Inc., se limitera à la réparation ou au remplacement des produits défectueux et aucune revendication de rupture de garantie ne pourra causer l'annulation ou la résiliation du contrat de vente d'un produit d'extérieur RYOBI® quel qu'il soit. Une preuve d'achat sera exigée par le centre de réparation, afin de valider toute réclamation au titre de la garantie. Toutes les réparations sous garantie devront être effectuées par un centre de réparations agréé.

La garantie sur tout produit d'extérieur RYOBI® utilisé pour la location, des travaux commerciaux ou tout autre usage lucratif, sera limitée à quatre-vingt-dix (90) jours, à compter de la date d'achat au détail original.

Cette garantie ne couvre pas les produits ayant fait l'objet d'un usage abusif ou négligent, d'un manque d'entretien, ayant été impliqués dans un accident ou employé de façon contraire aux instructions du manuel d'utilisation. Cette garantie ne couvre ni les dommages aux produits résultant d'un manque d'entretien, ni les produits qui ont été altérés ou modifiés. La garantie exclut les réparations rendues nécessaires par l'usure normale ou l'utilisation de pièces et accessoires incompatibles avec le produit d'extérieur RYOBI® ou nuisibles à son bon fonctionnement, ses performances ou sa durabilité. En outre, cette garanti exclut :

A. Les réglages – Bougies, carburateur, réglages du carburateur, allumage, filtres

B. Les articles consommables – Boutons d'avance par choc, bobines externes, lignes de coupe, bobines internes, poulies et cordons de lanceur, courroies d'entraînement, dents, rondelles en feutre, axes d'attelage, lames de paillage, ventilateur de soufflante, tubes de soufflage et d'aspiration, sacs à débris, guides, chaînes de scie

Techtronic Industries North America, Inc., se réserve le droit d'apporter des modifications ou améliorations à tout produit extérieur RYOBI®, sans obligation de modifier les produits fabriqués antérieurement.

LA DURÉE DE TOUTES LES GARANTIES IMPLICITES NE SAURAIT EN AUCUN CAS EXCÉDER LA PÉRIODE DE GARANTIE DÉCLARÉE. PAR CONSÉQUENT, TOUTES LES GARANTIES IMPLICITES, Y COMPRIS LES GARANTIES DE VALEUR MARCHANDE OU D'ADÉQUATION À UN USAGE PARTICULIER OU AUTRES SERONT INVALIDÉES À L'EXPIRATION DE LA PÉRIODE DE GARANTIE APPROPRIÉE DE TROIS ANS OU QUATRE-VINGT-DIX JOURS. LES OBLIGATIONS DE TECHTRONIC INDUSTRIES NORTH AMERICA, INC., DANS LE CADRE DE CETTE GARANTIE SE LIMITENT EXCLUSIVEMENT À LA RÉPARATION OU AU REMPLACEMENT DES PIÈCES DÉFECTUEUSES ET TECHTRONIC INDUSTRIES NORTH AMERICA, INC. N'ASSUME OU N'AUTORISE QUICONQUE À ASSUMER QUELQUE AUTRE OBLIGATION QUE CE SOIT. CERTAINS ÉTATS ET PROVINCES NE PERMETTANT PAS DE LIMITATION DE DURÉE DES GARANTIES IMPLICITES, LES RESTRICTIONS CI-DESSOUS PEUVENT NE PAS ÊTRE APPLICABLES. TECHTRONIC INDUSTRIES NORTH AMERICA, INC., DÉCLINE TOUTE RESPONSABILITÉ EN CE QUI CONCERNE LES DOMMAGES DIRECTS, INDIRECTS OU AUTRES, Y COMPRIS, MAIS SANS S'Y LIMITER, LES FRAIS DE RETOUR DE PRODUITS À UN CENTRE DE RÉPARATION RYOBI AGRÉÉ ET DE RENVOI AU PROPRIÉTAIRE, DE DÉPLACEMENT D'UN TECHNICIEN, DE TÉLÉPHONE OU TÉLÉGRAMME, DE LOCATION D'UN PRODUIT SIMILAIRE PENDANT LA DURÉE DES RÉPARATIONS SOUS GARANTIE, DE DÉPLACEMENT, DE PERTES OU DOMMAGES À DES BIENS PERSONNELS, DE MANQUE À GAGNER, DE PERTE D'USAGE DU PRODUIT, DE PERTE DE TEMPS OU DE DÉRANGEMENT. CERTAINS ÉTATS ET PROVINCES NE PERMETTANT L'EXCLUSION OU LA LIMITATION DES DOMMAGES DIRECTS OU INDIRECTS, LES RESTRICTIONS CI-DESSOUS PEUVENT NE PAS ÊTRE APPLICABLES.

Cette garantie donne au consommateur des droits spécifiques, et celui-ci peut bénéficier d'autres droits, qui varient selon les états ou provinces.

Cette garantie couvre tous les produits d'extérieur RYOBI® fabriqués par Techtronic Industries North America, Inc., vendus aux États-Unis et au Canada.

Pour obtenir l'adresse du centre de réparations Ryobi agréé le plus proche, appeler le 1-800-860-4050.

# ADVERTENCIAS DE SEGURIDAD PARA HERRAMIENTAS ELÉCTRICAS



## ADVERTENCIA

Lea todas las advertencias de seguridad y las instrucciones. La inobservancia de las advertencias e instrucciones puede causar descargas eléctricas, incendios o lesiones graves.

Guarde todas las advertencias e instrucciones para consultarlas en el futuro. El término “herramienta eléctrica” en las advertencias se refiere a las herramientas eléctricas que funcionan con corriente (con cordón) o las que funcionan con batería (inalámbricas).

## ÁREA DE TRABAJO

- Mantenga limpia y bien iluminada el área de trabajo. Un área de trabajo mal despejada o mal iluminada propicia accidentes.
- No utilice herramientas motorizadas en atmósferas explosivas, como las existentes alrededor de líquidos, gases y polvos inflamables. Las herramientas eléctricas generan chispas que pueden encender el polvo y los vapores inflamables.
- Mantenga alejados a los niños y circunstantes al maniobrar una herramienta eléctrica. Toda distracción puede causar la pérdida del control de la herramienta.

## SEGURIDAD ELÉCTRICA

- Las clavijas de las herramientas eléctricas deben corresponder a las tomas de corriente donde se conectan. Nunca modifique la clavija de ninguna forma. No utilice ninguna clavija adaptadora con herramientas eléctricas dotadas de contacto a tierra. Conectando las clavijas originales en las tomas de corriente donde corresponden se disminuye el riesgo de una descarga eléctrica.
- Evite el contacto del cuerpo con las superficies de objetos conectados a tierra, como las tuberías, radiadores, estufas y refrigeradores. Existe un mayor riesgo de descargas eléctricas si el cuerpo está haciendo tierra.
- No esponga las herramientas eléctricas a la lluvia ni a condiciones de humedad. La introducción de agua en una herramienta eléctrica aumenta el riesgo de descargas eléctricas.
- No maltrate el cordón eléctrico. Nunca utilice el cordón para trasladar, desconectar o tirar de la herramienta eléctrica. Mantenga el cordón lejos del calor, aceite, bordes afilados y piezas móviles.

Los cordones eléctricos dañados o enredados aumentan el riesgo de descargas eléctricas.

- Al utilizar una herramienta eléctrica a la intemperie, use un cordón de extensión apropiado para el exterior. Usando un cordón adecuado para el exterior se disminuye el riesgo de descargas eléctricas.
- Si debe operar una herramienta en lugares húmedos, use un suministro protegido por un interruptor de circuito con pérdida a tierra (GFCI). El uso de un GFCI reduce el riesgo de descargas eléctricas.

## SEGURIDAD PERSONAL

- Permanezca alerta, preste atención a lo que esté haciendo y aplique el sentido común al utilizar herramientas eléctricas. No utilice la herramienta eléctrica si está cansado o se encuentra bajo los efectos de alguna droga, alcohol o medicamento. Un momento de inatención al utilizar una herramienta eléctrica puede causar lesiones corporales serias.
- Utilice protección el equipo otros. Siempre póngase protección ocular. El uso de equipo protector como mascarilla para el polvo, calzado de seguridad, casco y protección para los oídos en las circunstancias donde corresponda disminuye el riesgo de lesiones.
- Evite que la herramienta se active accidentalmente. Asegúrese de que el interruptor esté en la posición de apagado antes de conectar la herramienta a un suministro de corriente o de colocar un paquete de baterías. Transportar herramientas eléctricas con el dedo en el interruptor o enchufar herramientas eléctricas que tienen el interruptor encendido puede ocasionar accidentes.
- Retire toda llave o herramienta de ajuste antes de encender la herramienta eléctrica. Toda llave o herramienta de ajuste dejada en una pieza giratoria de la herramienta eléctrica puede causar lesiones.
- No estire el cuerpo para alcanzar mayor distancia. Mantenga una postura firme y buen equilibrio en todo momento. De esta manera se logra un mejor control de la herramienta eléctrica en situaciones inesperadas.
- Vístase adecuadamente. No vista ropas holgadas ni joyas. Mantenga el cabello, la ropa y los guantes alejados de las piezas móviles. Las ropas holgadas y las joyas, así como el cabello largo, pueden engancharse en las piezas móviles.

# ADVERTENCIAS DE SEGURIDAD PARA HERRAMIENTAS ELÉCTRICAS

- Si se suministran dispositivos para conectar mangueras de extracción y captación de polvo, asegúrese de que éstas estén bien conectadas y se usen correctamente. El uso de la captación de polvo puede reducir los peligros relacionados con éste.

## EMPLEO Y CUIDADO DE LA HERRAMIENTA ELÉCTRICA

- No fuerce la herramienta eléctrica. Utilice la herramienta eléctrica adecuada para cada trabajo. La herramienta eléctrica adecuada efectúa mejor y de manera más segura el trabajo, si además se maneja a la velocidad para la que está diseñada.
- No utilice la herramienta si el interruptor no enciende o no apaga. Cualquier herramienta eléctrica que no pueda controlarse con el interruptor es peligrosa y debe repararse.
- Desconecte la clavija del suministro de corriente o retire el paquete de baterías de la herramienta eléctrica, según sea el caso, antes de efectuarle cualquier ajuste, cambiarle accesorios o guardarla. Tales medidas preventivas de seguridad reducen el riesgo de poner en marcha accidentalmente la herramienta.
- Guarde las herramientas eléctricas desocupadas fuera del alcance de los niños y no permita que las utilicen personas no familiarizadas con las mismas o con estas instrucciones. Las herramientas eléctricas son peligrosas en manos de personas no capacitadas en el uso de las mismas.
- Preste servicio a las herramientas eléctricas. Revise para ver si hay desalineación o atoramiento de piezas móviles, ruptura de piezas o cualquier otra condición que pueda afectar el funcionamiento de la herramienta. Si está dañada la herramienta eléctrica, permita que la reparen antes de usarla. Numerosos accidentes son causados por herramientas eléctricas mal cuidadas.
- Mantenga las herramientas de corte afiladas y limpias. Las herramientas de corte bien cuidadas y con bordes bien afilados, tienen menos probabilidad de atascarse en la pieza de trabajo y son más fáciles de controlar.

- Utilice la herramienta eléctrica, los accesorios y brocas, hojas y cuchillas de corte, ruedas de esmeril, etc. de conformidad con estas instrucciones, tomando en cuenta las condiciones de trabajo y la tarea por realizar. Si se utiliza la herramienta eléctrica para operaciones diferentes de las indicadas podría originar una situación peligrosa.

## EMPLEO Y CUIDADO DE LA HERRAMIENTA DE BATERÍAS

- Sólo cargue el paquete de baterías con el cargador especificado por el fabricante. Un cargador adecuado para un tipo paquete de baterías puede significar un riesgo de incendio si se emplea con un paquete de baterías diferente.
- Utilice las herramientas eléctricas sólo con los paquetes de baterías específicamente indicados. El empleo de paquetes de baterías diferentes puede presentar un riesgo de incendio.
- Cuando no esté utilizándose el paquete de baterías, manténgalo lejos de otros objetos metálicos, como clips, monedas, llaves, clavos, tornillos o otros objetos metálicos, pequeños que puedan establecer conexión entre ambas terminales. Establecer una conexión directa entre las dos terminales de las baterías puede causar quemaduras o incendios.
- Si se maltratan las baterías, puede derramarse líquido de las mismas; evite todo contacto con éste. En caso de contacto, lávese con agua. Si el líquido llega a tocar los ojos, además busque atención médica. El líquido de las baterías puede causar irritación y quemaduras.

## SERVICIO

- Permita que un técnico de reparación calificado preste servicio a la herramienta eléctrica, y sólo con piezas de repuesto idénticas. De esta manera se mantiene la seguridad de la herramienta eléctrica.
- Al dar servicio a una herramienta eléctrica, sólo utilice piezas de repuesto idénticas. Siga las instrucciones señaladas en la sección **Mantenimiento de este manual**. El empleo de piezas no autorizadas o el incumplimiento de las instrucciones de mantenimiento puede significar un riesgo de descarga eléctrica o de lesiones.

# ADVERTENCIAS DE SEGURIDAD DE LA MOTOSIERRA

- **Mantenga todas las partes del cuerpo alejadas de la motosierra mientras esté en funcionamiento. Antes de encender la motosierra, asegúrese de que no esté en contacto con nada.** Un momento de distracción mientras usa la motosierra puede hacer que la motosierra agarre su ropa o una parte de su cuerpo.
- **Siempre sostenga la motosierra con la mano derecha en el mango trasero y la mano izquierda en el mango delantero.** Sostener la motosierra con las manos invertidas aumenta el riesgo de sufrir lesiones personales y siempre debe evitarse.
- **Sostenga la herramienta eléctrica únicamente por las partes aisladas, porque la misma podría morder cables ocultos.** Si la motosierra toca un cable vivo, las piezas metálicas de la herramienta podrían energizarse y producirle una descarga eléctrica al operador.
- **Use gafas de seguridad y protección auditiva. También se recomienda usar equipo de protección para la cabeza, las manos, las piernas y los pies.** La indumentaria de protección adecuada reducirá las lesiones personales en caso de que salgan partículas despedidas o su cuerpo toque accidentalmente la motosierra.
- **No use la motosierra sobre un árbol.** Si usa la motosierra subido a un árbol, podría sufrir lesiones personales.
- **Siempre mantenga un buen apoyo y utilice la motosierra únicamente sobre superficies fijas, firmes y niveladas.** Las superficies resbaladizas o inestables como las escaleras pueden hacerle perder el equilibrio o el control de la motosierra.
- **Cuando corte una rama que esté sometida a tensión, esté atento al retorno.** Cuando se libera la tensión de las fibras de madera, la rama podría golpear al operador o lanzar la motosierra en forma descontrolada.
- **Tenga extremo cuidado al cortar maleza o retoños.** El material delgado podría quedar atrapado en la motosierra y salir disparado hacia usted o hacerle perder el equilibrio.
- **Transporte la motosierra apagada, lejos de su cuerpo y tomada del mango frontal. Siempre que transporte o almacene la motosierra, coloque la cubierta de la barra guía.** Manipular la motosierra correctamente reduce la probabilidad de tocar accidentalmente la cadena en movimiento.
- **Siga las instrucciones para lubricar la herramienta, tensionar la cadena y cambiar los accesorios.** Si la cadena no está correctamente tensionada o lubricada, podría romperse o presentar un mayor riesgo de que ocurra un contragolpe.
- **Mantenga los mangos secos, limpios y sin aceite ni grasa.** Los mangos con aceite o grasa son resbaladizos y pueden hacerle perder el control.
- **Corte únicamente madera. No use la motosierra para usos distintos de los previstos. Por ejemplo: no use la motosierra para cortar plástico, mampostería ni materiales de construcción que no sean de madera.** El uso de la motosierra para fines distintos de los previstos podría dar lugar a una situación de riesgo.

## CAUSAS Y PREVENCIÓN DEL CONTRAGOLPE

Puede ocurrir un contragolpe cuando la punta de la barra guía toca un objeto o cuando la madera se cierra y pellizca la cadena de la sierra en el punto de corte.

En algunos casos, el contacto de la pieza de trabajo con la punta de la barra guía puede causar una reacción súbita en dirección inversa, la cual lanza la barra guía hacia arriba y hacia atrás, en dirección al operador.

El pellizcamiento de la cadena de la sierra en la parte superior de la barra guía puede empujar la barra rápidamente hacia atrás, en dirección al operador.

Cualquiera de estas dos reacciones puede causar la pérdida del control de la sierra, lo cual a su vez puede producir lesiones personales serias. No dependa exclusivamente de los dispositivos de seguridad incorporados de la sierra. Como usuario de una motosierra, debe tomar varias medidas para evitar los accidentes y las lesiones en todos sus trabajos de corte.

El contragolpe es el resultado de un uso indebido de la herramienta o de procedimientos o condiciones de utilización incorrectos, y se puede evitar tomando las precauciones apropiadas que se presentan a continuación:

- **Mantenga la herramienta bien sujeta, con los pulgares y los dedos alrededor de los mangos de la motosierra; sostenga la herramienta con ambas manos y posicione su cuerpo y su brazo de una forma que le permita resistir la fuerza de un contragolpe.** El operador puede controlar las fuerzas del contragolpe si toma las precauciones adecuadas. No suelte la motosierra.



# ADVERTENCIAS DE SEGURIDAD DE LA MOTOSIERRA

- **No se estire ni corte por encima de la altura del hombro.** Esto ayuda a evitar el contacto accidental con la punta y permite un mejor control de la motosierra ante situaciones inesperadas.
- **Use únicamente barras y cadenas de repuesto indicadas por el fabricante.** El uso de barras y cadenas de repuesto incorrectas podría hacer que la cadena se rompa o que se produzcan contragolpes.
- **Siga las instrucciones de afilado y mantenimiento de la cadena de la sierra que provee el fabricante.** Disminuir la altura del calibrador de profundidad puede aumentar la probabilidad de que ocurra un contragolpe.
- No se recomienda cortar sobre la altura del pecho.
- No comience a cortar sino hasta tener despejada el área de trabajo, bien firmes los pies y una trayectoria planeada de retirada de la caída del árbol. Las áreas de trabajo mal despejadas precisan accidentes.
- Mantenga a TODOS los niños, circunstantes, visitantes y animales fuera del área de trabajo al arrancar la motosierra o al estar cortando con la misma. No permita que los visitantes se acerquen a la motosierra o al cordón de extensión.
- No utilice la motosierra en atmósferas explosivas, como las existentes alrededor de líquidos, gases y polvos inflamables. Las motosierras generan chispas que pueden encender el polvo y los vapores inflamables.
- Vístase de forma adecuada. - Póngase ropa ajustada. Siempre póngase pantalones largos gruesos, mangas largas, overoles, pantalones vaqueros o zahones (chaparreras) de material cortado resistente o que contengan partes incorporadas de tal material. Póngase calzado antideslizante. Póngase guantes antideslizantes para trabajo pesado con el fin de mejorar la sujeción de la unidad, y para protegerse las manos. No se ponga joyas, pantalones cortos o sandalias, ni ande descalzo. No se ponga ropa holgada, ya que puede ser atraída hacia adentro del motor o puede quedar atrapada en la cadena o en la maleza misma. Recójase el cabello de manera que le quede arriba del nivel de los hombros. Utilice protección para los ojos y para la cabeza.
- La ropa protectora pesada puede aumentar la fatiga del operador, lo cual puede originar un golpe de calor. En climas cálidos y húmedos, el trabajo pesado debe programarse para las primeras horas de la mañana o las últimas horas de la tarde, cuando las temperaturas son más bajas.
- Siempre utilice protección ocular con protección lateral con la marca de cumplimiento de la norma ANSI Z87.1, junto con protección oídos y la cabeza cuando utilizar este equipo.
- En todo momento esté consciente de lo que está haciendo al utilizar la motosierra. Aplique el sentido común. No utilice la motosierra si está cansado, enfermo, alterado o se encuentra bajo los efectos de alguna droga, alcohol o medicamento.
- No exponga la motosierra a la lluvia.
- No use la motosierra en lugares húmedos o mojados.
- Permanezca alerta y preste atención a lo que está haciendo. Actúe con sentido común al utilizar esta unidad.
- Mantenga todas las partes del cuerpo alejadas de la cadena de la sierra cuando esté funcionando la unidad.
- Nunca permita utilizar la motosierra a quien no haya recibido instrucciones adecuadas sobre la forma correcta de emplear la unidad. Esto se aplica tanto a las sierras alquiladas como a las propias.
- Antes de arrancar la unidad, asegúrese de que la cadena no esté tocando ningún objeto.
- Apague la motosierra antes de ponerla en reposo.
- Para evitar un arranque accidental; nunca traslade la unidad con el dedo en el gatillo del interruptor.
- Dé mantenimiento con cuidado a la unidad. Mantenga afilado el filo de corte y límpielo para lograr un desempeño óptimo de la unidad y para reducir el riesgo de lesiones. Siga las instrucciones para la lubricación y el cambio de accesorios.
- ¡No maneje la motosierra con una sola mano! Sujete firmemente los mangos de la motosierra, rodeándolos con los pulgares y los dedos restantes. Si se maneja con una sola mano la unidad, pueden resultar lesionados el operador, los ayudantes y demás personas presentes. La motosierra está hecha para ser manejada con las dos manos.
- Protege contra descargas eléctricas - Evite tocar con el cuerpo objetos conectados a tierra, como los tubos de metal y las cercas de alambre. Existe un mayor riesgo de descargas eléctricas si su cuerpo está en contacto con tierra.
- No utilice la motosierra si está dañada, mal ajustada o no está armada completamente y de manera que funcione de forma segura. La cadena debe aminorar la velocidad hasta detenerse completamente al soltarse el gatillo del interruptor. Si la cadena continúa desplazándose al soltarse el gatillo del interruptor, permita que presten servicio a la unidad en el establecimiento de servicio autorizado.

# ADVERTENCIAS DE SEGURIDAD DE LA MOTOSIERRA

- Inspeccione para ver si hay piezas dañadas. Verifique la alineación de las partes móviles, que no haya atoramiento de partes móviles, que no haya piezas rotas, el montaje de las piezas y cualquier otra condición que pudiera afectar su funcionamiento. Cualquier protección o pieza que esté dañada debe ser reparada o reemplazada en un establecimiento de servicio autorizado, a menos que se indique otra cosa en este manual.
- Todas las tareas de servicio de la motosierra no señaladas en los apartados sobre funcionamiento y mantenimiento deben ser efectuados en el establecimiento de servicio autorizado.
- Siempre mantenga una postura correcta.
- No utilice la motosierra si el interruptor no enciende o no apaga. Lleve todo interruptor defectuoso a un centro de servicio autorizado para que lo reparen.
- No adapte la cabeza motriz de la sierra a ningún arco tipo sierra de mano, ni la use para accionar ningún accesorio o dispositivo no especificado para la sierra.
- Desconecte la motosierra del suministro de corriente cuando no la use, antes de darle servicio, al efectuarle ajustes y cambiarle aditamentos, como la cadena y la protección.
- No corte enredaderas ni maleza pequeña.
- No utilice ninguna motosierra subido en un árbol, en una escalera, tejado o en un andamio, o otro soporte inestable; es extremadamente peligroso.  
**NOTA:** El tamaño del área de trabajo depende de la tarea, así como del tamaño del árbol o pieza de trabajo. Por ejemplo, para talar un árbol se requiere un área de trabajo más grande que para tronzarlo.
- No fuerce la motosierra. La herramienta efectúa el trabajo mejor y de manera más segura si se maneja a la velocidad para la que está diseñada.
- Siempre utilice la herramienta adecuada a la tarea. La motosierra sólo debe emplearse para cortar madera. Nunca utilice la motosierra para cortar plástico, obras de albañilería ni materiales de construcción que no sean madera.
- Guarde la motosierra cuando no se está cargando o cuando no esté usándola. Debe guardarse la motosierra en un lugar seco y alto o cerrado con llave, lejos del alcance de los niños. Al guardar la motosierra coloque la funda en la barra y la cadena.
- Cargue las baterías solamente con el cargador indicado. Para utilizar con paquetes de baterías de níquel-cadmio de 18 V o de iones de litio de 18 V, consulte el folleto de la herramienta/aparato/paquete de baterías/cargador complementario 987000-432.
- Las herramientas de baterías no necesitan conectarse a una toma de corriente; por lo tanto, siempre están en condiciones de funcionamiento. Esté consciente de los posibles peligros incluso si no está encendida la unidad.
- Retire el paquete de baterías de la motosierra cuando no se está cargando, y antes de limpiar, dar servicio, guardar, quitar material, cambiar accesorios (como la barra y la cadena) a la unidad, o cuando no la tenga en uso.
- Guarde estas instrucciones. Consúltelas con frecuencia y empléelas para instruir a otras personas que puedan utilizar este producto. Si presta a alguien esta producto, facilítele también las instrucciones.

# ADVERTENCIAS DE SEGURIDAD DE LA MOTOSIERRA

## CONTRAGOLPE

Veá las figuras 1 a 3.

■ **ADVERTENCIA:** El contragolpe ocurre cuando la cadena en movimiento hace contacto con un objeto en la parte superior de la punta de la barra, o cuando la madera se cierra y pellizca la cadena de la sierra en el punto de corte. El contacto de la parte superior de la punta de la barra con la madera puede causar que la cadena se clave en el material y se detenga instantáneamente. El resultado es una reacción súbita en dirección inversa, la cual lanza la barra guía hacia arriba y hacia atrás, en la dirección donde se encuentra el operador. Si la cadena de la sierra se pellizca en el corte, a lo largo de la parte superior de la barra guía, puede causarse un rápido empuje de dicha barra hacia atrás, en la dirección donde se encuentra el operador. Cualquiera de estas dos reacciones puede originar una pérdida de control, la cual a su vez podría ser causa de lesiones serias. No dependa exclusivamente de los dispositivos de seguridad incorporados en la sierra. Como usuario de una motosierra, debe tomar varias medidas para evitar accidentes y lesiones en todos sus trabajos de corte.

■ **Deben seguirse las siguientes medidas de precaución para reducir al mínimo el contragolpe:**

- Siempre sujete firmemente la sierra con ambas manos. Sujete la sierra firmemente con ambas manos cuando esté encendida. Coloque la mano derecha en el mango trasero y la izquierda en el mango delantero, rodeando ambos con los pulgares y los dedos restantes. Una sujeción firme con el brazo izquierdo rígido le ayuda a mantener el control de la sierra si ésta llega a dar un contragolpe.
- Asegúrese de que no haya obstrucciones en el área donde esté cortando. No permita que la punta de la barra guía entre en contacto con ningún tronco, rama, cerca, o cualquier otra obstrucción a la que le pueda pegar al estar operando la sierra.
- Siempre corte con la unidad funcionando a plena velocidad. Oprima completamente el gatillo del acelerador y mantenga una velocidad de corte estable.
- Utilice piezas de repuesto como la cadena de bajo contragolpe, freno de la cadena y barras guía especiales, los cuales reducen los riesgos relacionados con el contragolpe rotatorio. Sólo use las barras guía y las cadenas de contragolpe moderado de repuesto especificadas por el fabricante para su sierra en particular. Sólo use las barras

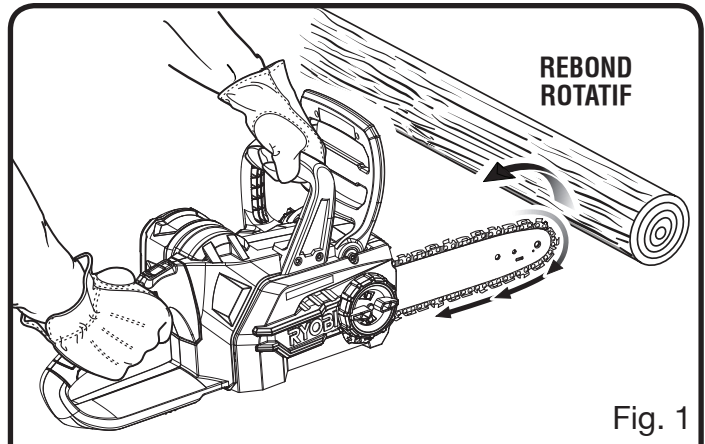


Fig. 1

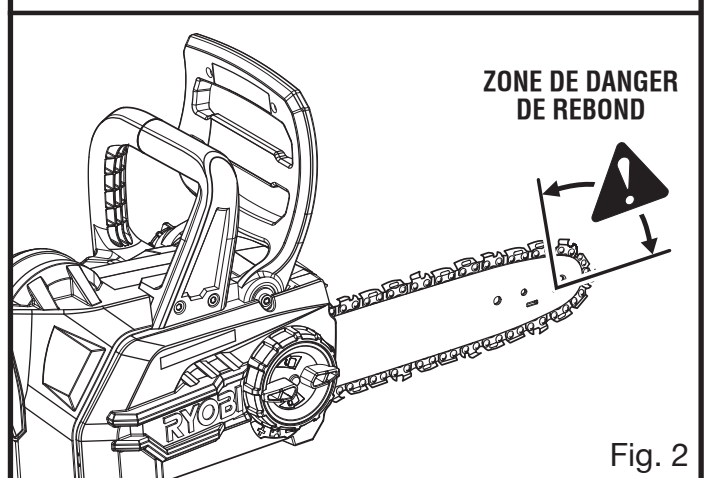


Fig. 2

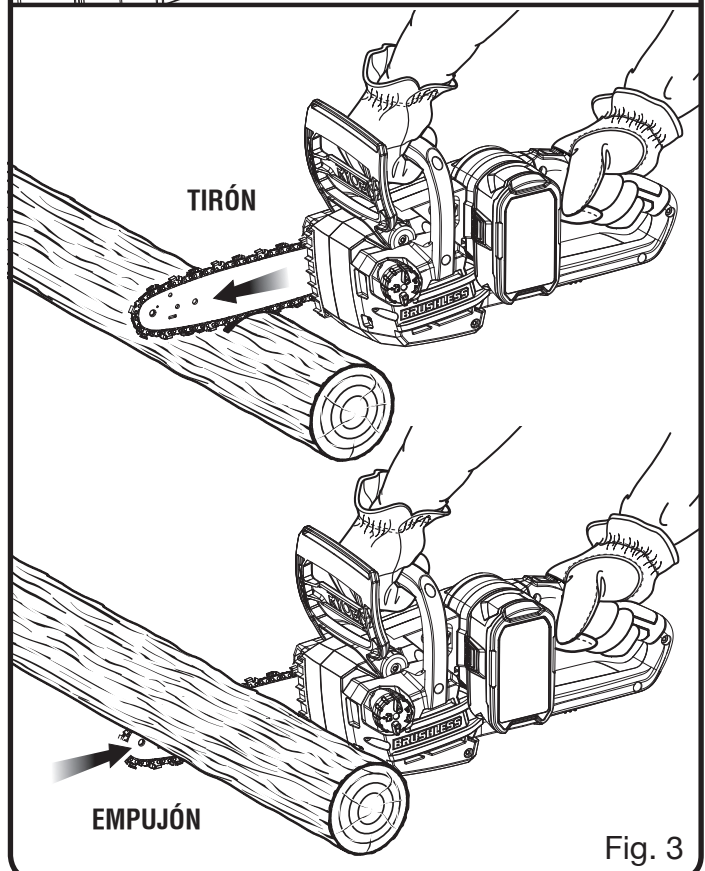


Fig. 3

# ADVERTENCIAS DE SEGURIDAD DE LA MOTOSIERRA

guía y las cadenas de contragolpe moderado de repuesto especificadas por el fabricante para su sierra en particular.

- Con un conocimiento básico del contragolpe de la sierra, puede reducir o incluso eliminar el elemento sorpresa. La sorpresa súbita contribuye a los accidentes.
- Mantenga una postura firme y buen equilibrio en todo momento.
- No trate de cortar objetos fuera de su alcance, ni arriba de la altura del pecho.
- Siga las instrucciones de afilado y mantenimiento correspondientes a la cadena de la sierra.
- Empujón y tirón - Esta fuerza de reacción es siempre opuesta a la dirección en que está moviéndose la cadena donde hace contacto con la madera. Así, el operador debe estar preparado para controlar el TIRÓN al cortar por el borde inferior de la barra guía, y el EMPUJÓN al cortar por el borde superior de dicha barra. *Vea la figura 3.*

## EXPLICACIÓN DE LOS DISPOSITIVOS DE SEGURIDAD DE LA MOTOSIERRA

### CADENA DE SIERRA DE CONTRAGOLPE MODERADO

Los dientes limpiadores (calibres de profundidad) situados delante de cada diente de corte pueden reducir al mínimo la fuerza de la reacción de contragolpe al evitar que los dientes de corte se introduzcan demasiado profundamente en la zona de contragolpe. Sólo use una cadena de repuesto que equivalga a la cadena original o que esté certificada como cadena de contragolpe moderado según la norma ANSI B175.1.

La cadena de contragolpe moderado es una cadena que satisface los requisitos relativos al nivel de contragolpe estipulados en la norma ANSI B175.1 (Norma Nacional Americana para Herramientas Motorizadas - Requisitos de Seguridad para Sierras de Cadena de Gasolina) al probarse en una muestra representativa de las sierras de cadena abajo del nivel 3.8 c.i.d. especificado en la norma ANSI B175.1.

A medida que las cadenas de sierra se afilan durante su vida de servicio, pierden algo de su capacidad de disminución del contragolpe y debe tenerse mayor precaución.




### BARRAS GUÍA

En general, las barras guía con puntas de radio pequeño tienen una capacidad de disminución del contragolpe un poco menor.








Al efectuar un remplazo, asegúrese de pedir una de las barras indicadas para su sierra en particular en este manual del operador.

# SÍMBOLOS

Las siguientes palabras de señalización y sus significados tienen el objeto de explicar los niveles de riesgo relacionados con este producto.







SÍMBOLO	SEÑAL	SIGNIFICADO
	<b>PELIGRO:</b>	Indica una situación peligrosa, la cual, si no se evita, causará la muerte o lesiones serias.
	<b>ADVERTENCIA:</b>	Indica una situación peligrosa, la cual, si no se evita, podría causar la muerte o lesiones serias.
	<b>PRECAUCIÓN:</b>	Indica una situación peligrosa la cual, si no se evita, puede causar lesiones leves o moderadas.
	<b>AVISO:</b>	(Sin el símbolo de alerta de seguridad) Indica la información que se considera importante, pero no relacionada con lesiones potenciales (por ej. en relación a daños a la propiedad).

Es posible que se empleen en este producto algunos de los siguientes símbolos. Le suplicamos estudiarlos y aprender su significado. Una correcta interpretación de estos símbolos le permitirá utilizar mejor y de manera más segura la producto.

SÍMBOLO	NOMBRE	DENOMINACIÓN / EXPLICACIÓN
	Alerta de seguridad	Indica un peligro posible de lesiones personales.
	Lea el manual del operador	Para reducir el riesgo de lesiones, el usuario debe leer y comprender el manual del operador antes de usar este producto.
	Póngase protección para los ojos, los oídos y la cabeza	Siempre póngase protección para los ojos con la marca de cumplimiento de la norma ANSI Z87.1, así como protección para los oídos y la cabeza cuando utilizar este equipo.
	Alerta de condiciones húmedas	Do not expose to rain or use in damp locations.
	Use las dos manos	Sujete y opere la sierra debidamente con ambas manos.
	Con una mano	No maneje la motosierra con una sola mano.
	La rotación de la cadena	Indica la dirección de la cadena en movimiento.

# SÍMBOLOS

Es posible que se empleen en este producto algunos de los siguientes símbolos. Le suplicamos estudiarlos y aprender su significado. Una correcta interpretación de estos símbolos le permitirá utilizar mejor y de manera más segura la producto.

SÍMBOLO	NOMBRE	DENOMINACIÓN / EXPLICACIÓN
	Contragolpe	¡PELIGRO! ESTÉ ALERTA DE UN POSIBLE CONTRAGOLPE.
	Contacto de la punta de la barra con el material	Evite el contacto del material con la punta de la barra.
	Póngase guantes	Al manejar la motosierra póngase guantes protectores antideslizantes de uso pesado.
	Póngase calzado de seguridad	Cuando utilice este equipo póngase zapatos de seguridad antideslizantes.
	Evite las cables eléctricos/ Mantenga alejadas a las personas presentes	¡PELIGRO! ¡Riesgo de electrocución! No trabaje a menos de 15 m (50 pies) de cables eléctricos. Durante las operaciones de tala de árboles, mantenga a todos los circunstantes y animales a una distancia mínima de 15 metros (50 pies) o lo menos el doble de la altura de los árboles más altos presentes en el área de la tala.
	Símbolos de reciclado	Este producto contiene baterías de níquel-cadmio o iones de litio. Es posible que algunas leyes municipales, estatales o federales prohíban desechar las baterías de níquel-cadmio en la basura normal. Consulte a las autoridades reguladoras de desechos para obtener información en relación con las alternativas de reciclado y desecho disponibles.
V	Voltios	Voltaje
==	Corriente continua	Tipo o característica de corriente

# GLOSARIO DE TÉRMINOS

## **Tronzado**

Es el proceso de cortar transversalmente un árbol o tronco talado en tramos.

## **Cabeza motriz de la motosierra**

Es la motosierra sin la cadena de aserrar ni la barra guía.

## **Rueda dentada de impulsión**

Es la pieza dentada que impulsa la cadena de la sierra.

## **Talar**

Es el proceso de cortar un árbol para derribarlo.

## **Corte trasero de tala**

Es el corte final de la operación de tala de un árbol, el cual se efectúa en el lado opuesto al del corte de muescado.

## **Protector delantero de la mano**

Es una barrera protectora estructural situada entre el mango delantero de una motosierra y la barra guía, normalmente localizada cerca de la posición de la mano en el mango delantero.

## **Mango delantero**

Es el mango de soporte situado en la parte frontal de la motosierra, o en esa dirección. Este mango es para la mano izquierda.

## **Barra guía**

Es una estructura sólida con un riel, la cual sirve para sostener y guiar la cadena de la sierra.

## **Contragolpe**

Es el movimiento de la barra guía hacia atrás o hacia arriba, o ambos, el cual ocurre cuando la cadena de aserrar, cerca de la parte superior de la punta de la barra guía, toca cualquier objeto como un tronco o rama, o cuando la madera se cierra y pellizca la cadena en la abertura del corte.

## **Contragolpe por pellizco**

Es el rápido empuje de la sierra hacia atrás, el cual puede ocurrir cuando la madera se cierra y pellizca la cadena en movimiento en el corte a lo largo de la parte superior de la barra guía.

## **Contragolpe rotatorio**

Es el movimiento rápido de la sierra hacia arriba y hacia atrás, el cual puede ocurrir cuando la cadena en movimiento, cerca de la parte superior de la punta de la barra guía, toca un objeto como un tronco o una rama.

## **Botón de seguro del gatillo**

Es un seguro movable que si no se acciona manualmente, impide una opresión involuntaria del interruptor.

## **Cadena de contragolpe moderado**

Es una cadena que cumple con los requisitos relativos al nivel de contragolpe estipulados en la norma ANSI B175.1 al probarse en una muestra representativa de las sierras de cadena.

## **Posición normal de corte**

Son aquellas posiciones adoptadas para efectuar los cortes de tronzado y de tala de árboles.

## **Corte de muescado**

Es un corte en forma de muesca efectuado para dirigir la caída del árbol.

## **Mango trasero**

Es el mango de soporte situado en la parte trasera de la motosierra, o en esa dirección. Es donde normalmente está alojado el acelerador. Este mango es para la mano derecha.

## **Barra guía de contragolpe reducido**

Es una barra guía la cual se ha demostrado que reduce el contragolpe de manera notable.

## **Cadena de repuesto de la sierra**

Es una cadena que cumple con los requisitos relativos al nivel de contragolpe estipulados en la norma ANSI B175.1 al probarse con ciertas sierras de cadena en particular. Es posible que no cumpla con los requisitos de desempeño de la norma ANSI al emplearse con otras sierras.

## **Cadena de aserrado**

Es una cadena en forma de collar, con dientes de corte para cortar madera, la cual es impulsada por un motor y está soportada por la barra guía.

## **Tope dentado (diente)**

Es el diente (o dientes) puntiagudo(s) empleado al talar o tronzar, para pivotar la sierra y mantener la postura al aserrar.

## **Pértiga**

Es un árbol pequeño (un árbol joven) o rama que está doblado o atrapado bajo tensión. Puede saltar hacia atrás rápidamente al cortarse, causando así una situación peligrosa.

## **Gatillo del interruptor**

Es un dispositivo que al accionarse abre o cierra el circuito de la corriente eléctrica del motor de la motosierra.

# CARACTERÍSTICAS

## ESPECIFICACIONES DEL PRODUCTO

Motor.....	18 V C.C.
Longitud de la barra.....	304,8 mm (12 pulg.)
Capacidad del tanque de aceite de la cadena.....	200 ml (6,8 oz.)

**NOTA:** Esta sierra fue diseñada para uso ligero ocasional, y tiene algunas limitaciones en cuanto a lo que puede cortar.

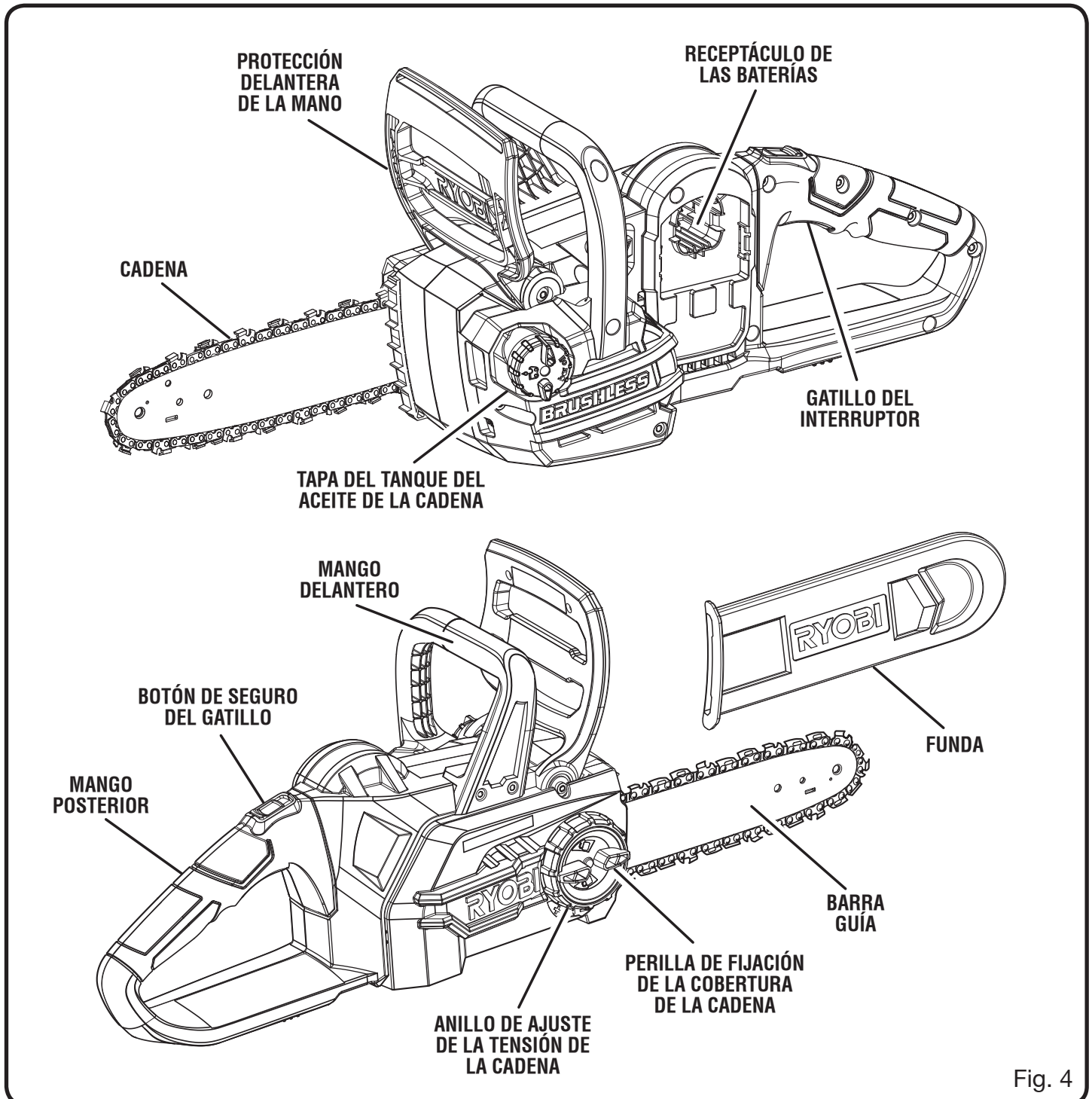


Fig. 4



# CARACTERÍSTICAS

## **FAMILIARÍCESE CON LA MOTOSIERRA**

*Vea la figura 4.*

Para usar este producto con la debida seguridad se debe comprender la información indicada en la herramienta misma y en este manual, y se debe comprender también el trabajo que intenta realizar. Antes de usar este producto, familiarícese con todas las características de funcionamiento y normas de seguridad del mismo.

## **ANILLO DE AJUSTE DE LA TENSIÓN DE LA CADENA**

Esta pieza permite ajustar la tensión de la cadena.

## **BARRA GUÍA**

La barra guía instalada en la fábrica dispone de una punta de radio pequeño, la cual ofrece una capacidad de disminución del contragolpe un poco menor.

## **BOTÓN DE SEGURO DEL GATILLO**

Es una característica de control cuyo fin es evitar un arranque accidental del motor.

## **CADENA DE SIERRA DE CONTRAGOLPE MODERADO**

La cadena de contragolpe moderado de la sierra reduce al mínimo la fuerza de la reacción de contragolpe al evitar que los dientes de corte se introduzcan demasiado profundamente en la zona de contragolpe.

## **GATILLO DEL INTERRUPTOR**

Para accionar la unidad después de ponerse el seguro de apagado del interruptor, oprima el gatillo. Para detener la unidad, suelte el gatillo.

# ARMADO

## DESEMPAQUETADO

Embarcamos este producto completamente armado.

- Extraiga cuidadosamente de la caja el producto y los accesorios. Asegúrese de que estén presentes todos los artículos enumerados en la lista de empaquetado.

### **ADVERTENCIA:**

No utilice este producto si alguna pieza incluida en la lista de contenido ya está ensamblada al producto cuando lo desempaqueta. El fabricante no ensambla las piezas de esta lista en el producto. Éstas deben ser instaladas por el usuario. El uso de un producto que puede haber sido ensamblado de forma inadecuada podría causar lesiones personales graves.

- Inspeccione cuidadosamente el producto para asegurarse de que no haya sufrido ninguna rotura o daño durante el transporte.
- No deseche el material de empaquetado hasta que haya inspeccionado cuidadosamente el producto y la haya utilizado satisfactoriamente.
- Si hay piezas dañadas o faltantes, le suplicamos llamar al 1-800-860-4050, donde le brindaremos asistencia.

## LISTA DE EMPAQUETADO

Motosierra con funda

Manual del operador

### **ADVERTENCIA:**

Si falta o está dañada alguna pieza, no utilice este producto sin haber reemplazado la pieza. Usar este producto con partes dañadas o faltantes puede causar lesiones serias al operador.

### **ADVERTENCIA:**

No intente modificar este producto ni hacer accesorios no recomendados para la misma. Cualquier alteración o modificación constituye maltrato, el cual puede causar una condición peligrosa, y como consecuencia posibles lesiones corporales serias.

### **ADVERTENCIA:**

Para evitar un arranque accidental que podría causar lesiones corporales graves, siempre desconecte el cable de la bujía del motor de la bujía misma al ensamblar las piezas.

# FUNCIONAMIENTO

### **PELIGRO:**

Nunca couper cerca de líneas de corriente, cordón eléctrico o de otras fuentes eléctricas. Si mermeladas de barra y cadena en alguna cordón del eléctrica o líneas, ¡No toque la barra ni la cadena! PUEDE CARGARSE DE ELECTRICIDAD Y SER MUY PELIGROSA. Continúe sujetando las motosierra por el mango trasero, el cual está aislado, o déjela reposar lejos de usted, de alguna forma segura. Desconecte el servicio de corriente eléctrica conectado a la línea o cordón dañado antes de intentar liberar de éste(a) la hoja. Contacte con la barra, la cadena, otras partes conductivas de la motosierra, o viven cordón eléctrico o líneas eléctricas puede producir la muerte por electrocución, una descarga eléctrica o lesiones serias.

### **ADVERTENCIA:**

No permita que su familiarización con este producto lo vuelva descuidado. Tenga presente que un descuido de un instante es suficiente para causar una lesión grave.

### **ADVERTENCIA:**

Siempre póngase protección para los ojos con la marca de cumplimiento de la norma ANSI Z87.1, así como protección para los oídos y la cabeza. Si no cumple esta advertencia, los objetos que salen despedidos pueden producirle lesiones serias en los ojos.

# FUNCIONAMIENTO

## **⚠ ADVERTENCIA:**

No utilice ningún aditamento o accesorio no recomendado por el fabricante de este producto. El empleo de aditamentos o accesorios no recomendados podría causar lesiones serias.

## **⚠ ADVERTENCIA:**

Nunca tale un árbol o corte un tronco o una rama cuyo diámetro sea mayor que la longitud de la barra. Únicamente profesionales debidamente capacitados deben realizar estos cortes. Realizar este tipo de cortes puede provocar accidentes y ocasionar graves lesiones personales.

## **AVISO:**

Antes de cada uso, inspeccione todo el producto para detectar partes dañadas, faltantes o sueltas, como tornillos, tuercas, pernos, tapas, etc. Apriete firmemente todos los sujetadores y las tapas y no accione este producto hasta que todas las partes faltantes o dañadas sean reemplazadas. Llame al contacto con el servicio al cliente o con un centro de servicio autorizados para recibir asistencia.

## **APLICACIONES**

Este producto puede emplearse para los fines siguientes:

- Desramado y poda de árboles
- Tala de árboles pequeños
- Tronzado del árbol talado en tramos más cortos

Este producto acepta baterías RYOBI™ ONE+™ de iones de litio de 18 V y de níquel-cadmio de 18 V. El período de funcionamiento obtenible con cada carga depende del tipo de trabajo hecho.

Para ver las instrucciones de carga completas, consulte los manuales del operador del paquete de baterías RYOBI™ ONE+™ y los modelos de cargador.

## **PARA DESMONTAR Y MONTAR EL PAQUETE DE BATERÍAS**

Vea la figura 5.

## **⚠ ADVERTENCIA:**

Retire siempre el paquete de baterías de la herramienta antes de instalar las piezas, realizar ajustes, limpiarla o cuando no la utilice. Retirar el paquete de baterías evitará que la unidad se accione accidentalmente y provoque lesiones graves.

**NOTA:** Para evitar lesiones corporales serias, siempre desmonte de la herramienta el paquete de baterías y mantenga manos vacías del botón del seguro al llevar herramienta.

### **Para conectar:**

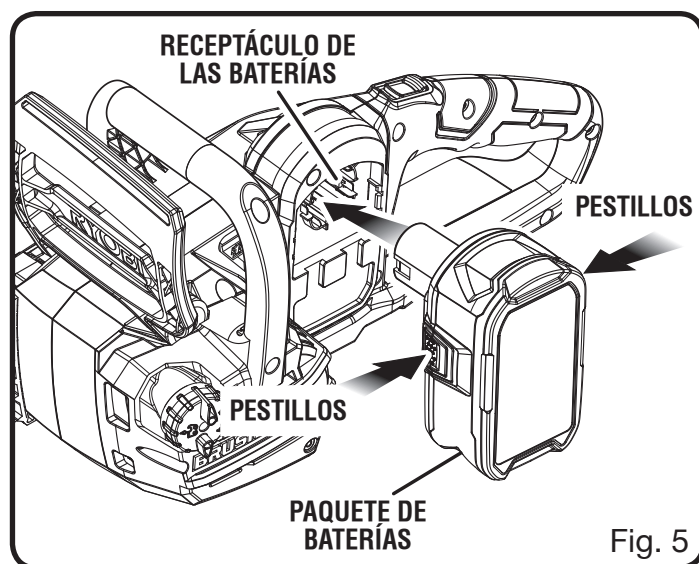
- Coloque el paquete de baterías en la motosierra. Alinee la costilla realizada del paquete de baterías con la ranura interior del receptáculo para baterías de la motosierra.
- Asegúrese de que los pestillos situados en ambos lados del paquete de baterías entren completamente en su lugar con un chasquido y de que el paquete quede bien fijo en la motosierra antes de empezar a utilizar la unidad.

### **Para el desmontaje:**

Oprima los pestillos situados en ambos lados del paquete de baterías para soltar éste de la motosierra.

## **AVISO:**

Al colocar el paquete de baterías en la motosierra, asegúrese de que la costilla realizada del mismo quede alineada con la ranura interior del receptáculo para baterías de la sierra, y de que los pestillos entren adecuadamente en su lugar con un chasquido. Si no se monta debidamente el paquete de baterías pueden dañarse los componentes internos.



# FUNCIONAMIENTO

## SISTEMA LUBRICACIÓN DE LA CADENA

Vea la figura 6.

### AVISO:

Retire el paquete de baterías de la unidad. Llene el tanque de aceite con lubricante Ryobi para la barra y la cadena antes de arrancar la motosierra. Si no se lubrica la cadena pueden causarse daños a la barra y a la cadena.

- Use lubricante RYOBI para barra y cadena. Está formulado para desempeñarse en una amplia gama de temperaturas sin requerir diluirse.

**NOTA:** No use lubricante sucio, usado o contaminado de ninguna forma. Puede dañarse la barra o la cadena.

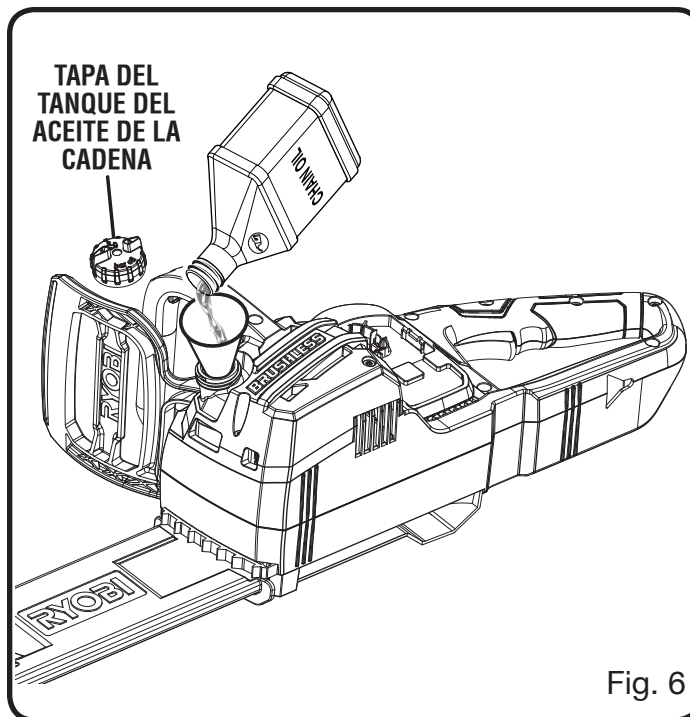
- Gire la sierra sobre su lado y quite la tapa del tanque de aceite para la cadena.
- Cuidadosamente vierta el lubricante para la barra y la cadena en el tanque correspondiente.
- Limpie el lubricante sobrante.
- Verifique y llene el tanque de aceite cuando la batería esté recargada o según sea necesario.

**NOTA:** Es normal que el lubricante se escurra de la sierra cuando no está ésta en uso. Para evitar el escurrimiento, vacíe el tanque de aceite cada vez después de usar la unidad y después póngalo a funcionar durante un minuto. Al guardar la unidad durante un largo período de tiempo (tres meses o más), asegúrese de lubricar ligeramente la cadena; de esta manera se evita la oxidación de la cadena y de la rueda dentada de la barra.

### AVISO:

Antes de cada uso, asegúrese de que la cadena esté tensionada correctamente. Una cadena fría está tensionada correctamente cuando no hay flacidez en la parte inferior de la barra guía, la cadena está ajustada y puede girarse con la mano sin amarrar. Durante el uso normal de la sierra, la temperatura de la cadena aumenta. Los eslabones motrices de una cadena caliente correctamente tensionada colgarán aproximadamente 1,27 mm (0,05 pulg.) por fuera de la ranura de la barra.

Consulte las instrucciones de **Ajuste de la tensión de la cadena** en la sección de *Mantenimiento* de este manual para ajustarla adecuadamente.



# FUNCIONAMIENTO

## ENCENDIDO Y APAGADO DE LA MOTOSIERRA

Vea la figura 7.

### **⚠ ADVERTENCIA:**

Mantenga el cuerpo a la izquierda del plano de la cadena. Nunca se coloque a horcajadas por encima de la sierra o de la cadena, ni incline el cuerpo a través del plano de la cadena.

### **Encendido de la motosierra:**

- Oprima y no suelte el botón de seguro del gatillo. Con esto se vuelve capaz de funcionar el gatillo del interruptor.
- Oprima y no suelte el gatillo del interruptor, suelte el botón de seguro del gatillo y continúe oprimiendo el gatillo del interruptor para continuar operando la unidad.

### **Apagado de la motosierra:**

- Suelte el gatillo del interruptor cuando desee apagar la motosierra.
- Al soltar el gatillo del interruptor, el botón de seguro del gatillo regresa automáticamente a la posición de inmovilización de este último.

Esta sierra inalámbrica de cadena está diseñada para corte de desramado y poda, así como para talar árboles de diámetro inferior a 254 mm (10 pulg.).

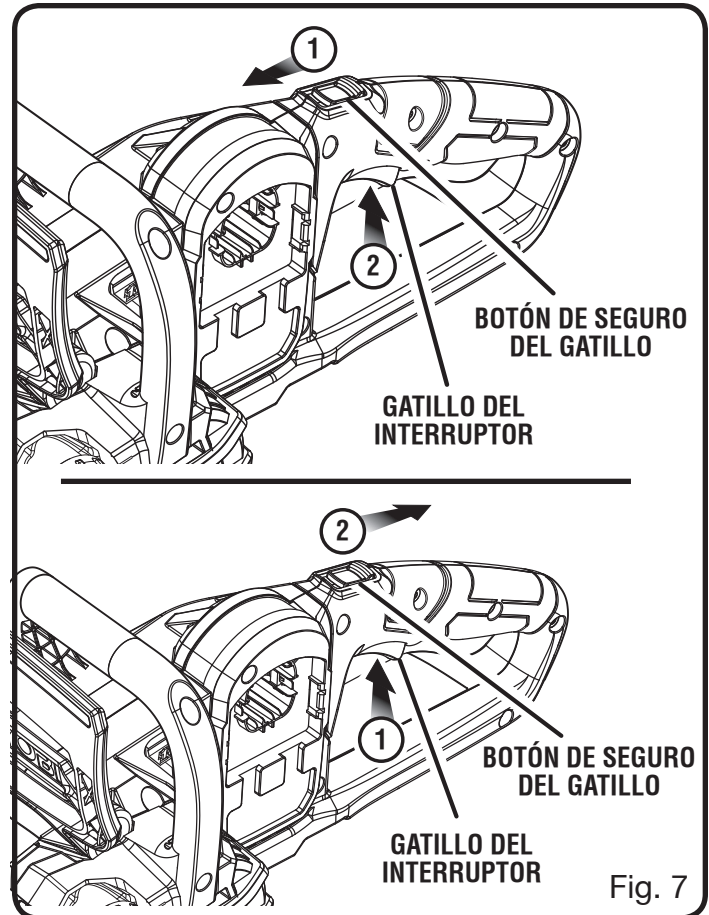


Fig. 7

# FUNCIONAMIENTO

## PREPARACIÓN PARA EL CORTE

### SUJECIÓN CORRECTA DE LOS MANGOS

Vea las figuras 8 a 10.

Con respecto al equipo de seguridad adecuado, consulte la sección *Advertencias de seguridad de la motosierra* más arriba en este manual.

- Póngase guantes antideslizantes para lograr una capacidad de sujeción y protección máximas.
- Sujete la sierra firmemente con ambas manos. Siempre mantenga la mano izquierda en el mango delantero y la mano derecha en el mango trasero, de manera que su cuerpo quede a la izquierda del plano de la cadena.

#### **⚠ ADVERTENCIA:**

Nunca use sujeta la unidad a zurdas (con la posición de las manos intercambiada), ni con el cuerpo en ninguna postura que pueda colocar el mismo o el brazo a través del plano de la cadena.

- Mantenga una sujeción adecuada de la sierra siempre que esté funcionando el motor. Los dedos deben rodear el mango, con el pulgar doblado bajo la barra del mismo. Esta forma de sujeción es la que tiene menor probabilidad de fallar (por un contragolpe o cualquier otra reacción súbita de la sierra). Cualquier forma de sujeción en la cual el pulgar y los dedos restantes están en el mismo lado del mango es peligrosa, debido a que incluso un contragolpe leve de la sierra puede originar la pérdida del control.

#### **⚠ ADVERTENCIA:**

No accione el gatillo del interruptor con la mano izquierda, sujetando el mango delantero con la mano derecha. Nunca permita que ninguna parte del cuerpo cruce el plano de la cadena mientras esté funcionando la sierra. El uso inadecuado de la motosierra puede causar lesiones graves.

### POSTURA CORRECTA PARA EL CORTE

Vea las figuras 11 y 12.

#### **⚠ ADVERTENCIA:**

Siempre utilice la postura de corte correcta que se describe en esta sección. Nunca se arrodille cuando utilice la motosierra, salvo cuando tale un árbol según se ilustra en la figura 12. Si se arrodilla podría perder la estabilidad y el control de la motosierra, y eso podría derivar en lesiones personales graves.

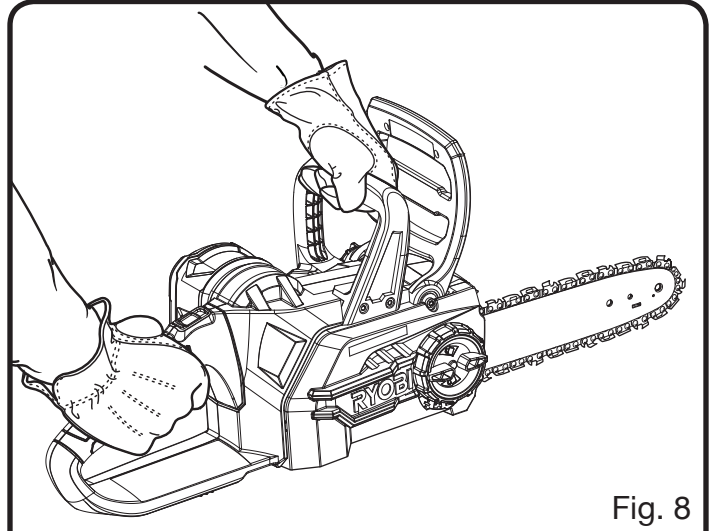


Fig. 8

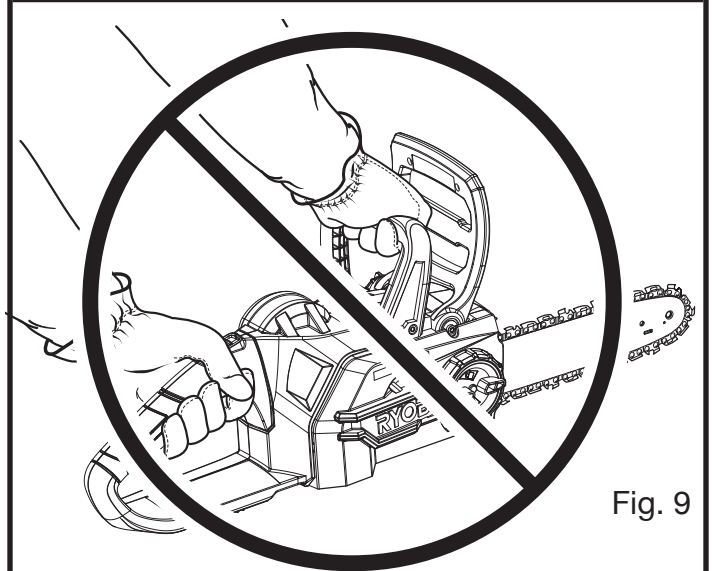


Fig. 9

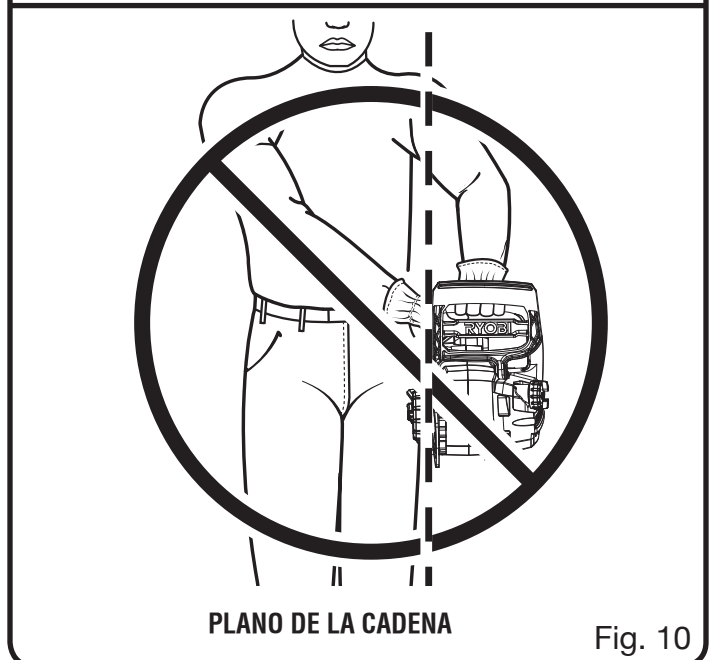


Fig. 10

# FUNCIONAMIENTO

- El peso debe quedar distribuido de forma equilibrada con ambos pies en suelo firme.
- Mantenga el brazo izquierdo con el codo rígido en posición de “brazo recto” para poder tolerar la fuerza de cualquier contragolpe.
- Su cuerpo debe estar siempre a la izquierda del plano de la cadena.
- Mantenga el pulgar bajo la barra del mango.

## PROCEDIMIENTO BÁSICO DE CORTE

Practique cortando unos pocos troncos pequeños aplicando la siguiente técnica para acostumbrarse al manejo de la sierra antes de comenzar una tarea de corte de mayores proporciones.

- Adopte una postura correcta del cuerpo frente a la madera, con la sierra apagada.
- Oprima el gatillo del interruptor y permita a la cadena acelerarse a plena velocidad antes de iniciar el corte.
- Inicie el corte poniendo la sierra contra el tronco.
- Mantenga encendida la unidad todo el tiempo que esté cortando; mantenga una velocidad uniforme.
- Permita que la cadena efectúe el corte; sólo aplique una leve presión hacia abajo. Si fuerza el corte, puede dañarse la barra, la cadena o la unidad.
- Suelte el gatillo del interruptor tan pronto como termine el corte, permitiendo así detenerse a la cadena. Si acciona la sierra a la aceleración máxima cortando en vacío, puede ocurrir un desgaste innecesario de la cadena, de la barra y de la unidad.
- No aplique presión en la sierra al final del corte.

## PRECAUCIONES EN EL ÁREA DE TRABAJO

- Sólo corte madera o materiales hechos de madera; no corte lámina metálica, plásticos, obras de albañilería ni materiales de construcción que no sean de madera.
- Nunca permita utilizar la sierra a ningún niño. No permita utilizar la sierra a ninguna persona que no haya leído este manual del operador o no haya recibido instrucciones adecuadas sobre la forma correcta de emplear esta motosierra.
- Al talar un árbol, mantenga a todas las personas, ayudantes, circunstantes, niños y animales a una distancia segura del área de corte. Durante las operaciones de tala de árboles, una distancia segura es por lo menos el doble de la altura de los árboles más altos presentes en el área de la tala. Durante las tareas de tronzado (corte en tramos más pequeños), mantenga una distancia mínima de 15 pies (4,5

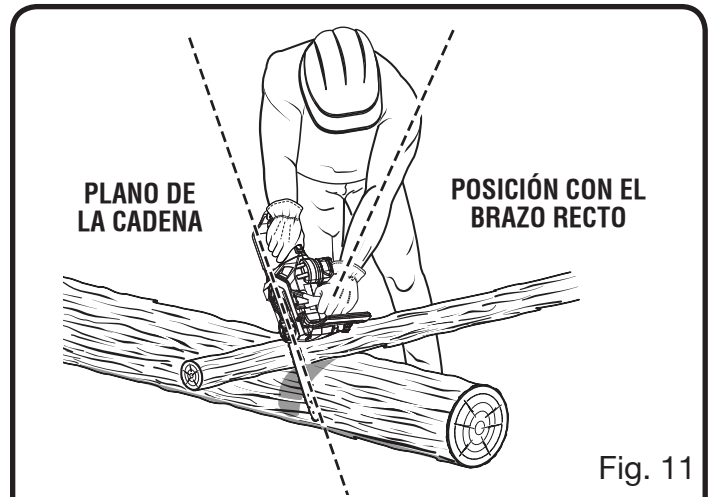


Fig. 11



Fig. 12

metros) entre los trabajadores. Debe evitarse cortar los árboles de una manera que pudieran poner en peligro a cualquier persona, golpear las líneas de servicios públicos o causar cualquier daño material. Si el árbol golpea cualquier red de servicio público, la compañía correspondiente debe ser notificada de inmediato.

- Siempre corte con ambos pies bien apoyados en suelo sólido para evitar perder el equilibrio.
- No corte arriba de la altura del pecho, ya que si se tiene la sierra más arriba de esa altura, es difícil de controlar bajo la fuerza del contragolpe.
- No corte árboles cerca de cables eléctricos o de edificios. Deje tal operación a los profesionales.
- Corte solamente cuando al visibilidad y la luz sean adecuadas para ver claramente.

## TALA DE ÁRBOLES

Vea las figuras 13 a 16.

## CONDICIONES PELIGROSAS



### ADVERTENCIA:

No tale árboles durante períodos de viento o lluvia intensos. Espere hasta que cese el tiempo peligroso.

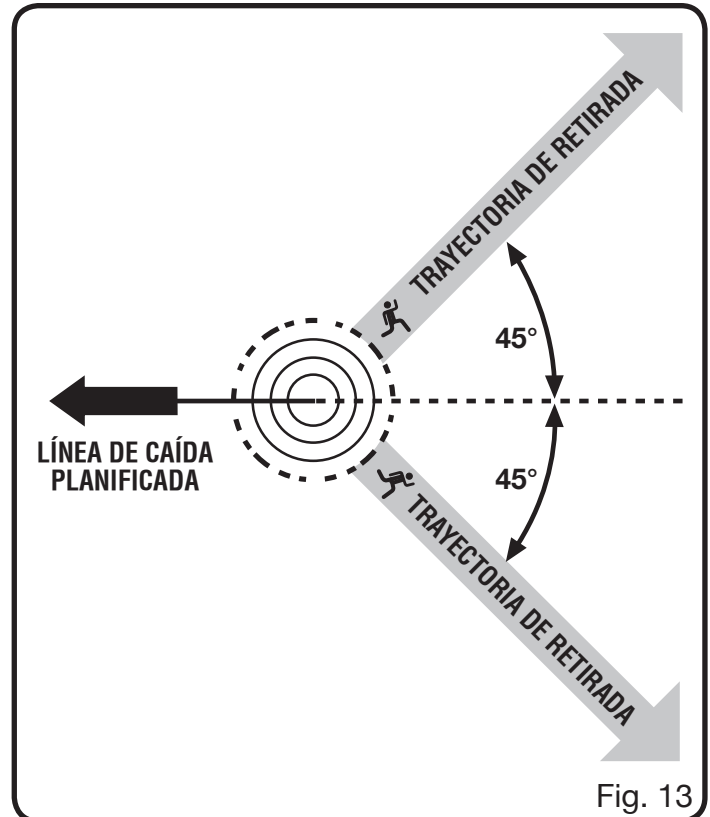
# FUNCIONAMIENTO

## **⚠ ADVERTENCIA:**

Controle con cuidado que no haya ramas rotas o muertas que puedan caer mientras tala, y no tala cerca de edificios o cables eléctricos si no sabe en qué dirección caerá el árbol. No tala de noche o con malas condiciones climáticas como lluvia, nieve o fuertes vientos, porque tendrá menor visibilidad y menor control de la motosierra. Si el árbol que está talando cae sobre una línea de transmisión de algún servicio, deje de usar la motosierra y notifique de inmediato a la compañía de servicios. No seguir estas instrucciones podría causar la muerte o lesiones personales graves.

Al talar un árbol, es importante siga las siguientes advertencias e instrucciones para evitar toda posible lesión seria.

- No corte árboles extremadamente delgados ni árboles grandes con ramas podridas, corteza suelta o troncos huecos. Permita que expertos derriben estos árboles con equipo pesado de empuje o arrastre, y después recórtelos.
- No corte árboles cerca de cables eléctricos o de edificios.
- Revise cada árbol para ver si tiene ramas muertas que pudiesen caer y golpearlo al talar aquél.
- Periódicamente eche un vistazo a la copa del árbol durante el corte trasero, para asegurarse de que caiga en la dirección deseada.
- Si el árbol comienza a caer en una dirección equivocada, o si la sierra se pellizca o queda colgada en el tronco durante la caída del árbol, ¡deje la sierra y sálvese!
- Tala de árboles - Cuando las tareas de tronzado (corte en tramos más pequeños) y de tala de árboles son efectuadas por dos o más personas al mismo tiempo, la operación de tronzado de un árbol previamente talado debe separarse de la de la tala del árbol siguiente por una distancia igual al doble de la altura del árbol que esté talándose en ese momento. Debe evitarse cortar los árboles de una manera que pudieran poner en peligro a cualquier persona, golpear las líneas de servicios públicos o causar cualquier daño material. Si el árbol golpea cualquier red de servicio público, la compañía correspondiente debe ser notificada de inmediato.
- Antes de iniciar cualquier corte, escoja su ruta de escape (o rutas, en caso de que esté bloqueada la ruta planeada); despeje el área inmediata alrededor del árbol y asegúrese de que no haya



obstrucciones en la trayectoria de retirada planeada. Las trayectorias despejadas para una retirada segura deben extenderse hacia atrás en forma diagonal (45°) detrás de la línea de caída planeada. Cuando el árbol empiece a caer, usted deberá retirarse de la dirección de la caída usando la trayectoria de retirada y a una distancia de 6 m (20 pies) del tronco en caso de que exista un contragolpe sobre la cepa. *Vea la figura 13.*

- Antes de iniciar la tala del árbol, considere la fuerza y la dirección del viento, la inclinación y el equilibrio del árbol, y por último la ubicación de las ramas más grandes del mismo. Estos aspectos influyen en la dirección de caída del árbol. No trate de talar ningún árbol a lo largo de una línea diferente de su línea natural de caída.
- El operador de la motosierra debe permanecer en el lado colina arriba del terreno, ya que probablemente el árbol rodará o se deslizará colina abajo una vez talado.
- Retire la tierra, piedras, corteza floja, clavos, grapas y alambre del árbol, donde se vayan a efectuar los cortes de tala.
- **Corte de muescado.** Corte una muesca de 1/3 del diámetro del tronco aproximadamente, perpendicular a la dirección de la caída. Efectúe los cortes de la muesca de manera que queden



# FUNCIONAMIENTO

cruzando en ángulo recto el plano de caída. Esta muesca debe limpiarse para dejar una línea recta. Para mantener el peso de la madera fuera de la sierra, siempre efectúe el corte inferior de la muesca antes del corte superior. *Vea la figura 14.*

- **Corte trasero de tala.** El corte trasero siempre se realiza nivelado y horizontal, y a un mínimo de 51 mm (2 pulg.) arriba del corte horizontal de la muesca. *Vea las figuras 14 y 15.*
- Nunca corte hasta la muesca. Siempre deje una franja de madera entre la muesca y el corte trasero (aprox. 51 mm [2 pulg.] ó 1/10 del diámetro del árbol). Esto se llama “bisagra” o “madera de bisagra”. Controla la caída del árbol y evita el deslizamiento, el torcimiento o la separación violenta del árbol de su cepa. *Vea las figuras 14 y 15.*
- En árboles de diámetro grande, detenga el corte trasero antes de que esté tan profundo que el árbol pudiese caer o asentarse en la cepa. Después introduzca cuñas de madera o plástico suaves en el corte, de manera que no toquen la cadena. Las cuñas pueden encajarse, poco a poco, para ayudar a derribar el árbol. *Vea la figura 16.*
- A medida que comience a caer el árbol, apague la motosierra y deposítela en el suelo de inmediato. Retírese por la trayectoria despejada, pero observe lo que sucede por si algo llega a caer en su camino. Permanezca alerta a las ramas elevadas que puedan caer y fíjese en dónde pisa.

## ⚠ ADVERTENCIA:

Nunca corte hasta la muesca al efectuar el corte trasero. La bisagra, que es la parte de madera existente entre la muesca y el corte trasero, controla la caída del árbol.

## ELIMINACIÓN DE RAÍCES ZANCAS

*Vea la figura 17.*

Una raíz zanca es una raíz larga que se extiende desde el tronco del árbol, por encima de la tierra. Antes de talar el árbol, elimine las raíces zancas grandes. Primero efectúe el corte horizontal en la raíz zanca, seguido del corte vertical. Retire del área de trabajo la parte suelta resultante. Una vez habiendo eliminado las raíces zancas grandes de la forma señalada en **Tala de árboles**, aplique el procedimiento adecuado para talar el árbol.

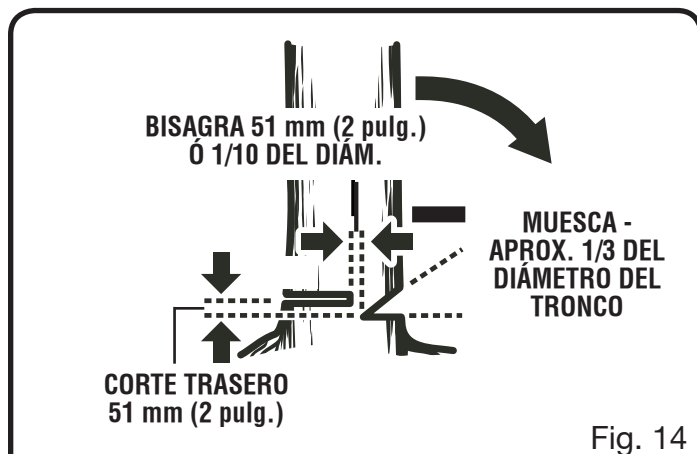


Fig. 14

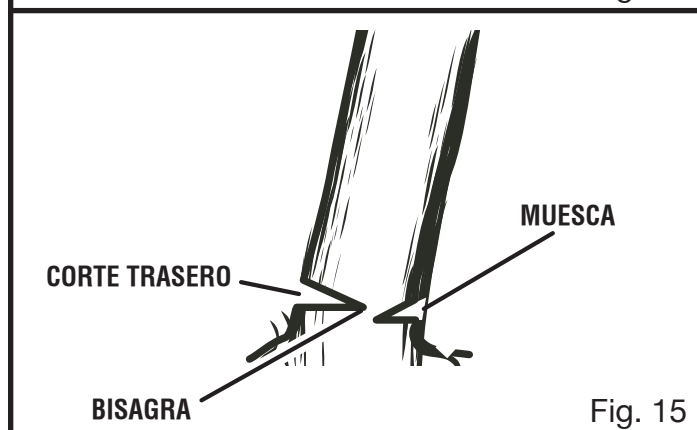


Fig. 15

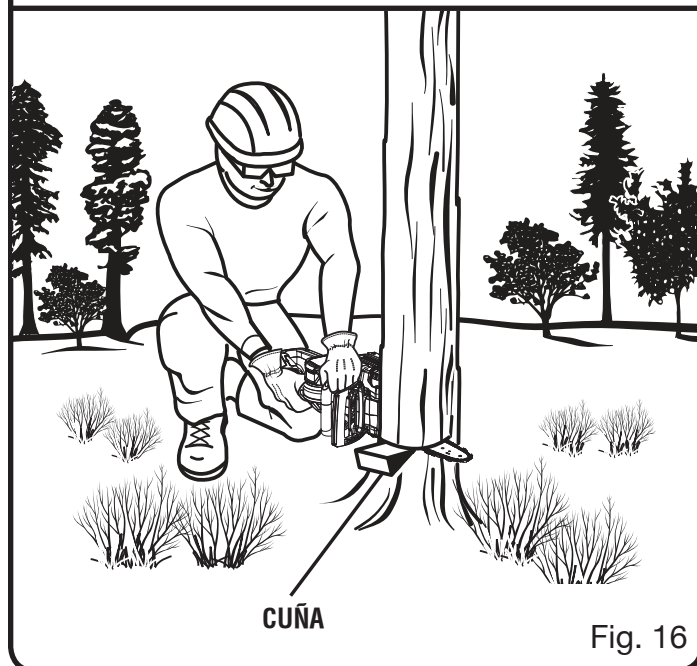


Fig. 16

# FUNCIONAMIENTO

## TRONZADO

Veá las figuras 18 a 21.

Tronzado es el término aplicado al corte del tronco de un árbol talado, en tramos de la longitud deseada.

- Siempre asegúrese de mantener una postura firme y de distribuir su peso de forma equilibrada en ambos pies.
- Solamente corte un tronco a la vez.
- Apoye los troncos pequeños en un caballete de aserrar o en otro tronco mientras lo tronzas.
- Mantenga despejada el área del corte. Asegúrese de que ningún objeto pueda tocar la punta de la barra guía ni la cadena durante el corte, ya que puede originarse un contragolpe. Consulte el apartado **Contragolpe**, más arriba en este manual.
- Al efectuar tareas de tronzado en una pendiente, siempre párese en el lado colina arriba de los troncos. Para mantener un control completo de la motosierra al cortar a través del tronco, afloje la presión de corte cerca del final del corte sin disminuir la fuerza de sujeción de los mangos de la sierra. No permita que la cadena toque el suelo. Después de terminar el corte, espere a que se detenga la cadena antes de mover la motosierra. Siempre apague el motor antes de desplazarse de un árbol a otro.
- Algunas veces es imposible evitar el pellizcamiento (sólo con las técnicas de corte estándar) o es difícil predecir en qué dirección irá a asentarse un tronco al cortarse. Para evitar un pellizcamiento de la cadena al cortar, gire o mueva el tronco de manera que se elimine el pellizco.

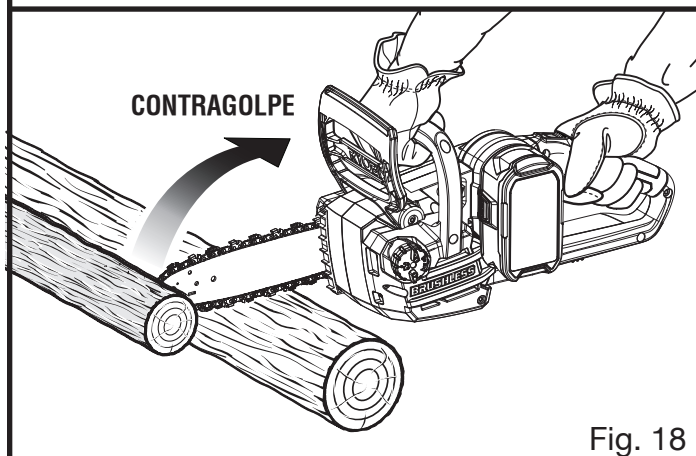
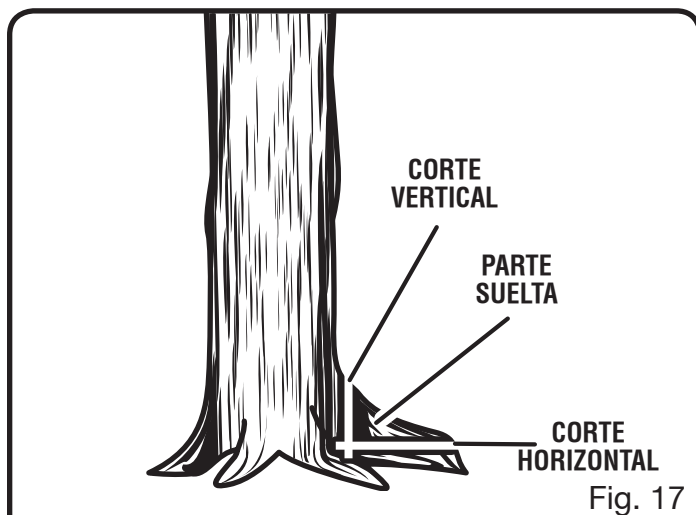
## TRONZADO DE TRONCOS BAJO TENSIÓN

Veá las figuras 20 y 21.

Cuando el tronco está sostenido a lo largo de toda su longitud, debe cortarse a partir de la parte superior, o sea tronzado por arriba.

Cuando el tronco está sostenido por un extremo, corte 1/3 del diámetro a partir de la parte inferior, o sea tronzado por abajo. Después realice el corte final con un tronzado por arriba hasta encontrar el primer corte. A medida que se corta el tronco, tenderá a doblarse. La sierra puede resultar pellizcada o quedar colgada en el tronco si efectúa el primer corte a una profundidad mayor de 1/3 del diámetro del tronco.

Preste atención en especial a los troncos sujetos a tensión para evitar el pellizcamiento de la barra y de la cadena en la madera.



# FUNCIONAMIENTO

Al efectuar tareas de tronzado en una pendiente, siempre párese en el lado colina arriba de los troncos, como se muestra en la figura 19. Al cortar “a través del tronco”, para mantener un control completo de la motosierra, afloje la presión de corte cerca del final del corte sin disminuir la fuerza de sujeción de los mangos de la sierra. No permita que la cadena toque el suelo. Después de terminar el corte, espere a que se detenga la cadena antes de mover la motosierra. Siempre apague el motor antes de desplazarse de un árbol a otro.

## TIPOS DE CORTE EFECTUADOS

Vea la figura 21.

### TRONZADO POR ARRIBA

Comience por el lado superior del tronco, con la parte inferior de la sierra puesta contra el tronco; ejerza una presión leve hacia abajo. Observe que la sierra tenderá a alejarse de usted.

### TRONZADO POR ABAJO

Comience por el lado inferior del tronco, con la parte superior de la sierra puesta contra el tronco; ejerza una presión leve hacia arriba. Durante el tronzado por abajo, la sierra tenderá a venirse hacia usted. Esté preparado para esta reacción y sujete firmemente la sierra para conservar el control de la misma.

## DESRAMADO

Vea la figura 22.

### ⚠ ADVERTENCIA:

Nunca se suba a un árbol para desramarlo o podarlo. No se pare en escaleras, plataformas, tejado o troncos, ni en ninguna posición que pueda causarle la pérdida del equilibrio o del control de la sierra lo que podría resultar en la muerte o lesiones personales graves.

El desramado es la eliminación de las ramas de un árbol cortado.

- Trabaje lentamente, manteniendo ambas manos en la motosierra, sujetándola firmemente. Siempre asegúrese de mantener una postura firme y de distribuir su peso de forma equilibrada en ambos pies.
- Deje las ramas de soporte más grandes bajo el árbol para mantenerlo separado del suelo mientras efectúa los cortes.
- Solamente corte una rama a la vez. Retire las ramas cortadas del área de trabajo con frecuencia para mantener el área de trabajo limpia y segura.

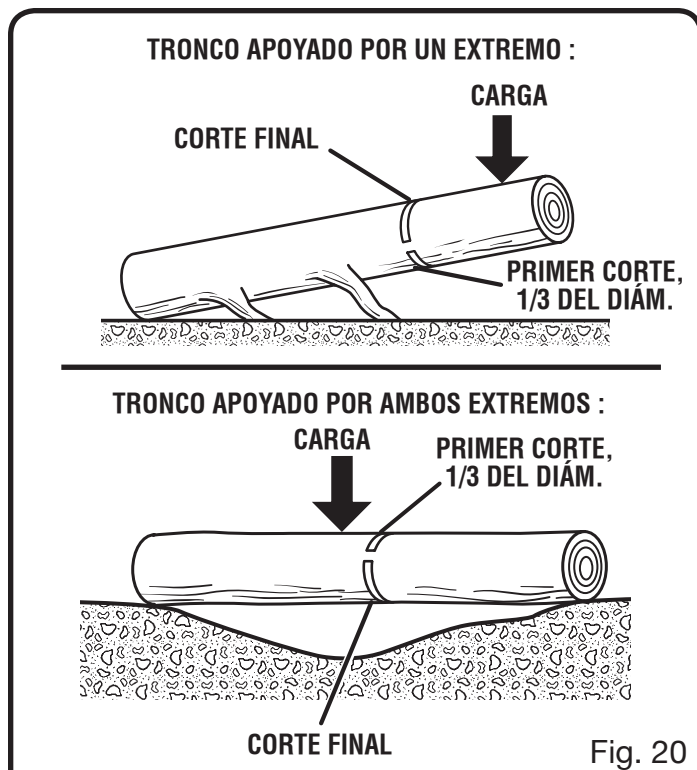


Fig. 20

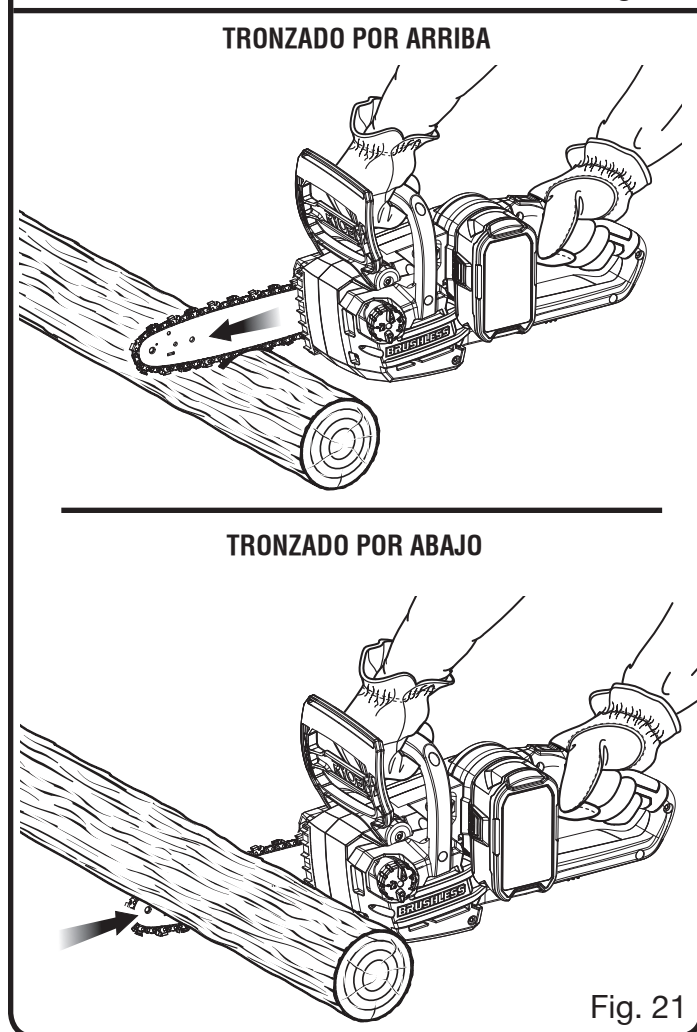


Fig. 21

# FUNCIONAMIENTO

- Las ramas bajo tensión deben cortarse de abajo hacia arriba para evitar el atoramiento de la motosierra.
- Mantenga el árbol entre usted y la motosierra mientras realice el desramado. Corte desde el lado del árbol que quede opuesto a la rama que esté cortando.

## PODA

Vea la figura 23.

La poda es el recorte de las ramas de un árbol vivo.

- Trabaje lentamente, manteniendo ambas manos en la motosierra, sujetándola firmemente. Siempre asegúrese de mantener una postura firme y de distribuir su peso de forma equilibrada en ambos pies.
- No realice tareas de corte subido en una escalera, ya que es extremadamente peligroso. Deje tal operación a los profesionales.
- No corte arriba de la altura del pecho, ya que si se tiene la sierra más arriba de esa altura, es difícil de controlar bajo la fuerza del contragolpe.
- Al podar árboles es importante no realizar el corte final de una rama, junto a la rama o tronco de donde sale, sin haber recortado la primera para reducir el peso de la misma. De esta manera se evita desprender la corteza del miembro progenitor.
- Para el primer corte de tronzado, corte por abajo la rama 1/3 del diámetro de la misma.
- El segundo corte de tronzado debe ser por arriba para cortar completamente la rama.
- Ahora efectúe el corte final, liso y bien hecho, contra el miembro progenitor, de manera que se forme la corteza para sellar el corte.

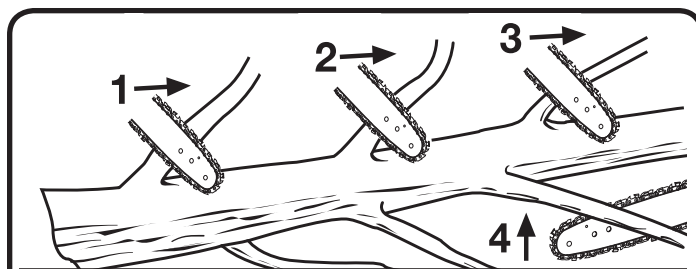
### ⚠ ADVERTENCIA:

Si las ramas por podar están arriba de la altura del pecho, contrate a un experto para que efectúe la poda. La inobservancia de esta advertencia puede causar lesiones serias.

## PÉRTIGAS

Vea la figura 24.

Una pértiga es cualquier tronco, rama, cepa enraizada o árbol joven que ha sido doblado por la presión de otro árbol o rama, de manera que azota si se corta o se elimina el elemento que lo detiene. Con la cepa enraizada de un árbol caído hay un gran peligro de que la misma vuelva súbitamente a la posición vertical durante el corte de tronzado para separar el tronco de la cepa. Tenga cuidado con las pértigas, ya que son peligrosas.



**CORTE UNA RAMA A LA VEZ Y DEJE RAMAS DE SOPORTE BAJO EL ÁRBOL HASTA QUE ESTÉ CORTADO EL TRONCO**

Fig. 22

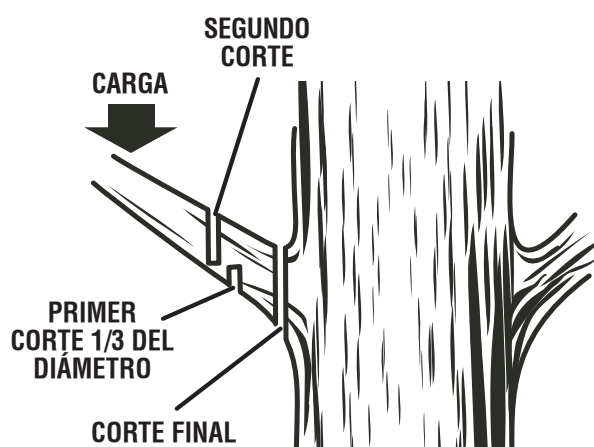


Fig. 23



Fig. 24

### ⚠ ADVERTENCIA:

Las pértigas son peligrosas y podrían golpear al operador, obligándole a perder el control de la motosierra. Esto podría causarle lesiones mortales o serias al operador.

# MANTENIMIENTO

## **ADVERTENCIA:**

Para evitar lesiones corporales serias, siempre retire el paquete de baterías de la herramienta al limpiarla o darle mantenimiento.

## **ADVERTENCIA:**

Siempre póngase protección para los ojos con la marca de cumplimiento de la norma ANSI Z87.1, así como protección para los oídos y la cabeza. Si no cumple esta advertencia, los objetos que salen despedidos pueden producirle lesiones serias en los ojos.

## **ADVERTENCIA:**

Al dar servicio a la unidad, sólo utilice piezas de repuesto idénticas. El empleo de piezas diferentes podría causar un peligro o dañar el producto.

## **AVISO:**

Inspeccione periódicamente todo el producto para detectar partes dañadas, faltantes o sueltas, como tornillos, tuercas, pernos, tapas, etc. Apriete firmemente todos los sujetadores y las tapas y no accione este producto hasta que todas las partes faltantes o dañadas sean reemplazadas. Llame al contacto con el servicio al cliente o con un centro de servicio autorizados para recibir asistencia.

## MANTENIMIENTO GENERAL

Evite el empleo de solventes al limpiar piezas de plástico. La mayoría de los plásticos son susceptibles a diferentes tipos de solventes comerciales y pueden resultar dañados. Utilice paños limpios para eliminar la suciedad, el polvo, el aceite, la grasa, etc.

## **ADVERTENCIA:**

No permita en ningún momento que fluidos para frenos, gasolina, productos a base de petróleo, aceites penetrantes, etc., lleguen a tocar las piezas de plástico. Las sustancias químicas pueden dañar, debilitar o destruir el plástico, lo cual a su vez podría producir lesiones corporales serias.

## REEMPLAZO DE LA BARRA Y DE LA CADENA

*Vea las figuras 25 a 33.*

## **ADVERTENCIA:**

Retire el paquete de baterías y asegúrese de que se haya detenido la cadena antes de realizar cualquier labor de mantenimiento de la sierra. De lo contrario la unidad puede ponerse en marcha accidentalmente, con el consiguiente riesgo de lesiones serias.

## **ADVERTENCIA:**

Para evitar lesiones corporales serias, lea y comprenda todas las instrucciones de seguridad indicadas en esta sección.

## **ADVERTENCIA:**

Nunca toque ni ajuste la cadena mientras esté funcionando el motor. La cadena de la sierra está sumamente afilada; siempre póngase guantes protectores al efectuar labores de mantenimiento de la cadena para evitar posibles heridas desgarradas serias.

## **PRECAUCIÓN:**

Siempre póngase guantes la manipular la barra y la cadena; estos componentes han sido afilados y pueden contener rebabas.

- Retire el paquete de baterías antes de realizar cualquier trabajo en la motosierra.
- Gire izquierdo la tapa del cadena de perilla de bloqueo hasta que pueda retirar la tapa de la cadena.
- Retire la tapa de la cadena.
- Gire el conjunto de tensión de la cadena completamente hacia la izquierda.
- Retire la barra y la cadena de la superficie de montaje.
- Retire la cadena vieja de la barra.
- Retire el tornillo y conjunto de tensión de la cadena de la barra vieja.
- Instale el conjunto de tensión de la cadena en la nueva barra insertando la lengüeta en un orificio de la barra y colocando un tornillo por el otro. Apriétela firmemente.
- Extienda la nueva cadena de la sierra en un círculo y enderece todo retorcimiento presente en la misma.

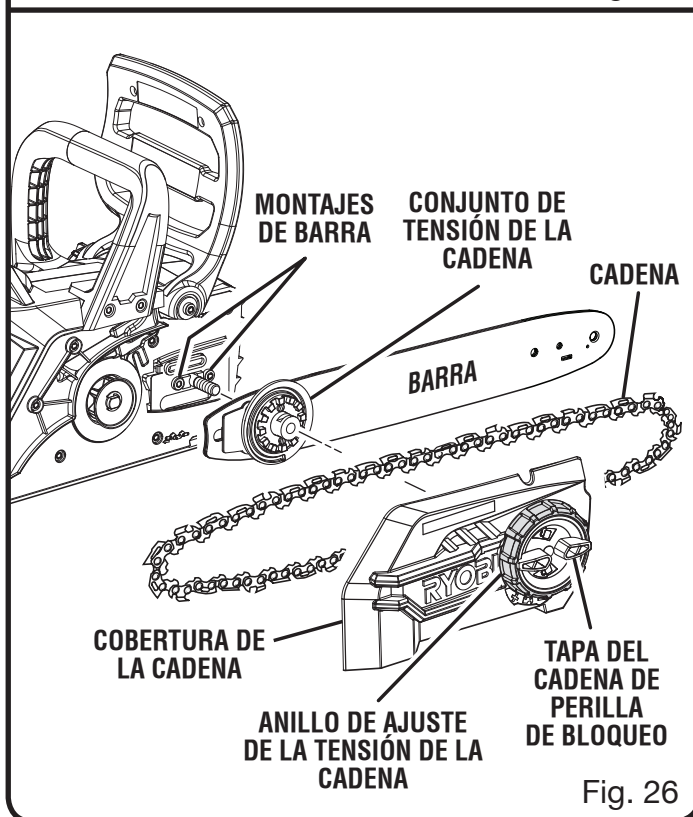
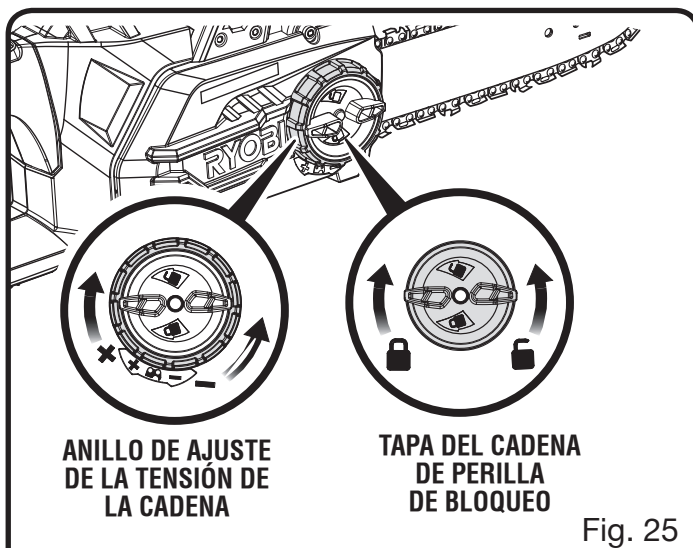
# MANTENIMIENTO

Los dientes de corte deben estar orientados en la dirección de desplazamiento de la cadena. Si están orientados en la dirección opuesta, invierta la posición de la cadena.

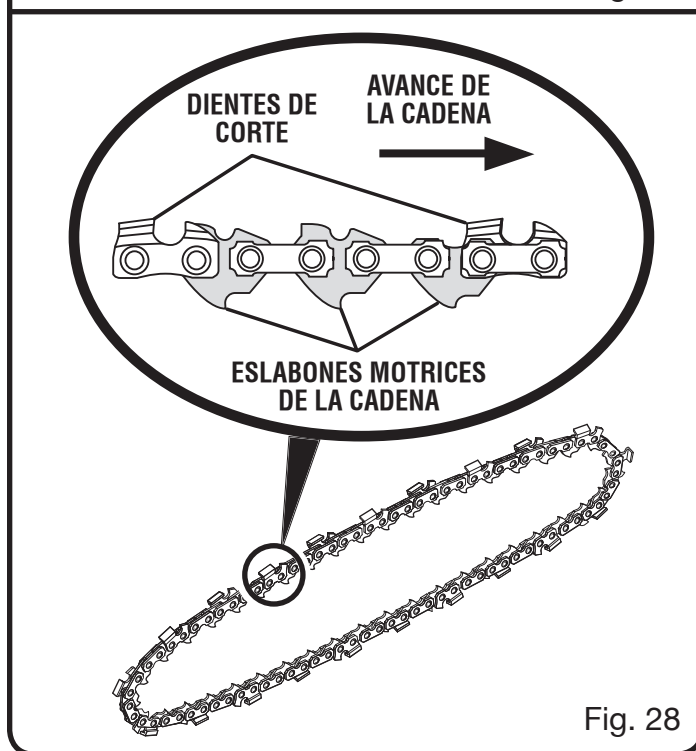
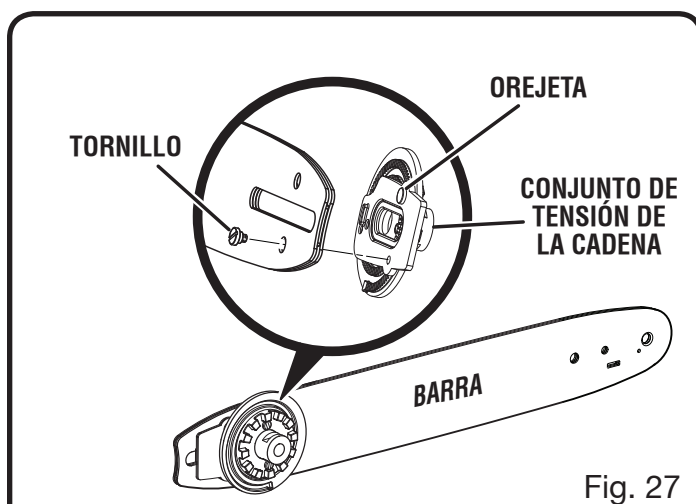
- Coloque los eslabones de impulsión de la cadena en la ranura de la barra.

**NOTA:** Verifique el sentido de desplazamiento de la cadena.

- Acomode la cadena de tal manera que haya una holgura en la parte posterior de la barra.
- Mantenga la cadena en su posición en la barra y coloque la holgura alrededor de la rueda dentada.



- Acomode la barra contra la superficie de montaje de manera que los soportes de la barra queden en la ranura larga de la misma.
- Gire el conjunto de tensión de la cadena hacia la derecha unas pocas vueltas hasta obtener holgura en la cadena para que permanezca en posición.
- Vuelva a montar la tapa de la cadena.
- Gire a derecho tapa del cadena de perilla de bloqueo apretar. La barra debe quedar libre para moverse para el ajuste de la tensión.
- Elimine toda la holgura de la cadena; para ello, gire hacia la derecha el anillo de ajuste de la tensión de la cadena hasta que ésta se siente ajustadamente en la barra, con los eslabones de impulsión dentro de la ranura de la misma.



# MANTENIMIENTO

- Levante la punta de la barra guía para revisar la holgura de la cadena.
- Suelte la punta de la barra guía y gire 1/2 vuelta hacia la derecha el perilla de tensado de la cadena. Repita este proceso hasta que desaparezca toda holgura presente.
- Mantenga levantada la punta de la barra guía y apriete firmemente la tapa del cadena de perilla de bloqueo.

La cadena está bien tensada cuando no hay holgura de la misma en la parte inferior de la barra guía, la cadena se siente bien ajustada en la barra, y puede avanzarse con la mano sin ningún atoramiento de aquélla.

**NOTA:** Si queda demasiado ajustada la cadena, no podrá desplazarse. Afloje levemente tapa del cadena de perilla de bloqueo y gire el anillo de ajuste de la cadena 1/4 de vuelta hacia la izquierda. Levante la punta de la barra guía a apretar firmemente

la tapa del cadena de perilla de bloqueo. Asegúrese de que la cadena se desplace sin atorarse.

## AJUSTE DE LA TENSIÓN DE LA CADENA

Vea las figuras 34 y 35.

### ⚠ ADVERTENCIA:

Apague el motor y quite el paquete de baterías. Nunca toque ni ajuste la cadena mientras esté funcionando el motor. La cadena de la sierra está sumamente afilada. Siempre lleve puestos guantes protectores al efectuar labores de mantenimiento de la cadena. El incumplimiento de estas instrucciones podría causar lesiones personales graves.

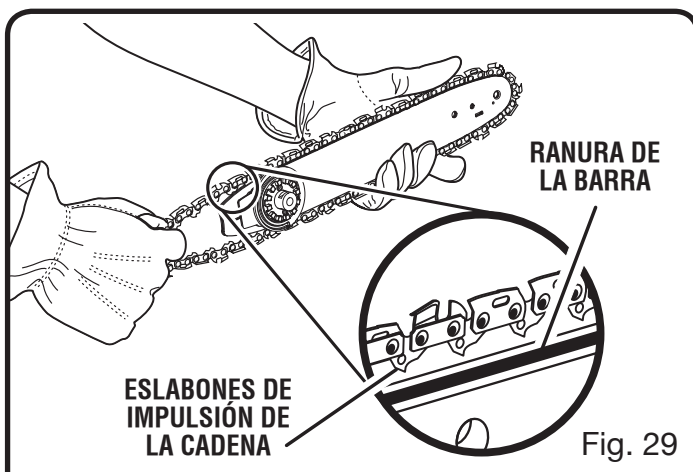


Fig. 29

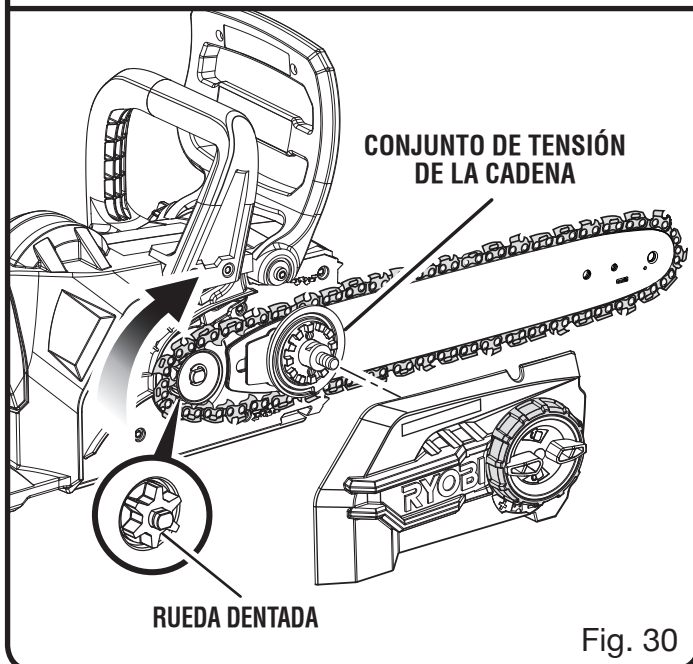


Fig. 30

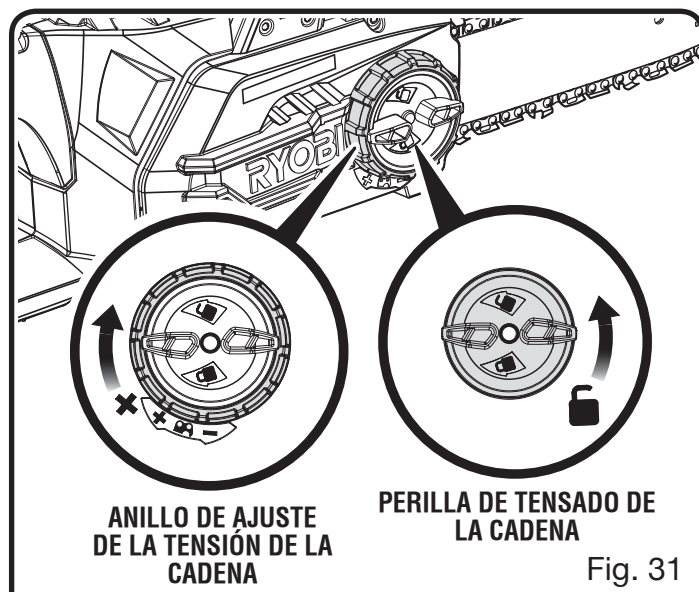


Fig. 31

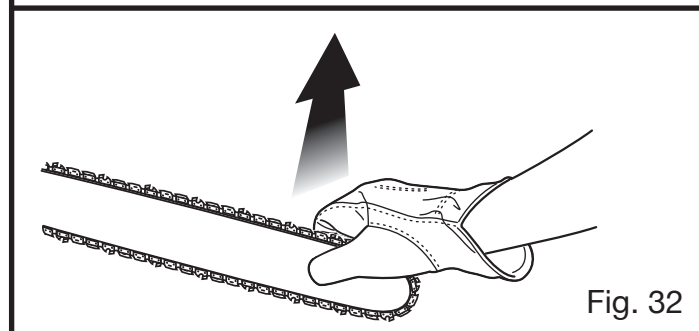


Fig. 32

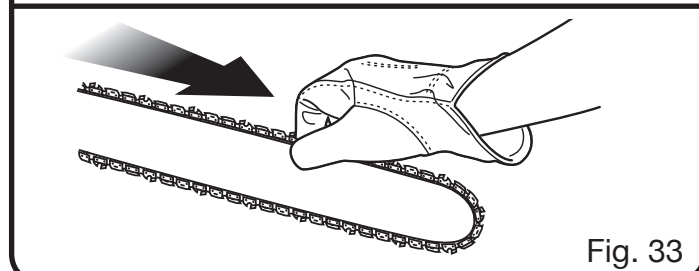


Fig. 33

# MANTENIMIENTO

- Apague el motor y desconecte del suministro de corriente antes de ajustar la tensión de la cadena.
- Afloje levemente tapa del cadena de perilla de bloqueo.
- Gire a la derecha el anillo de ajuste de la tensión de la cadena para tensar ésta.

**NOTA:** La cadena, estando fría, está bien tensada cuando no hay holgura de la misma en la parte inferior de la barra guía, la cadena se siente bien ajustada en la barra, y puede avanzarse con la mano sin ningún atoramiento.

- Gire a la derecha la tapa del cadena de perilla de bloqueo para asegurar.

Vuelva a tensar la cadena cada vez que las partes planas de los eslabones de impulsión sobresalen suspendidos de la ranura de la barra.

**NOTA:** Durante el funcionamiento normal de la sierra, aumenta la temperatura de la sierra. Si la cadena está bien tensada, estando caliente los eslabones de impulsión sobresalen suspendidos de la ranura de la barra aproximadamente 1,25 mm (0,050 pulg.).

**NOTA:** Las cadenas nuevas tienden a estirarse; revise frecuentemente la tensión de la cadena y tense ésta según se requiera.

## ⚠ PRECAUCIÓN:

Si se tensa la cadena estando ésta caliente, puede quedar demasiado apretada al enfriarse. Revise la "tensión en frío" de la cadena, antes de usar la sierra.

## MANTENIMIENTO DE LA CADENA

Vea las figuras 36 y 37.

## ⚠ ADVERTENCIA:

Retire el paquete de baterías y asegúrese de que se haya detenido la cadena antes de realizar cualquier labor de mantenimiento de la sierra para evitar el arranque accidental y posibles lesiones personales graves.

Sólo utilice una cadena de contragolpe moderado con esta sierra. Esta cadena de corte rápido proporciona reducción del contragolpe si se le da debido mantenimiento.

Para poder dar un corte liso y rápido, es necesario dar un mantenimiento adecuado a la cadena.

La cadena requiere afilarse cuando las virutas de madera salen pequeñas y polvorientas, cuando es necesario forzar la cadena a pasar a través de la madera durante el

corte, o cuando la cadena corta hacia un lado. Durante el mantenimiento de la sierra considere lo siguiente:

- Un ángulo incorrecto de limado de la placa lateral puede aumentar el riesgo de un contragolpe violento.
- Espacio libre de los dientes limpiadores (calibres de profundidad).
  - Demasiado bajo aumenta el peligro de contragolpe.
  - Si no está lo suficientemente bajo disminuye la capacidad de corte.
- Si los dientes de corte han tocado objetos duros como clavos y piedras, o han sido desgastados por el lodo o la arena presentes en la madera, permita que afilen la cadena en un centro de servicio autorizado.

**NOTA:** Al cambiar la cadena, inspeccione la rueda dentada de impulsión para ver si tiene desgaste o daños. Si hay señales de desgaste o daños presentes en las áreas indicadas, lleve la sierra a un establecimiento de servicio de productos RYOBI para que cambien la rueda dentada.

### PARTES PLANAS DE LOS ESLABONES DE IMPULSIÓN

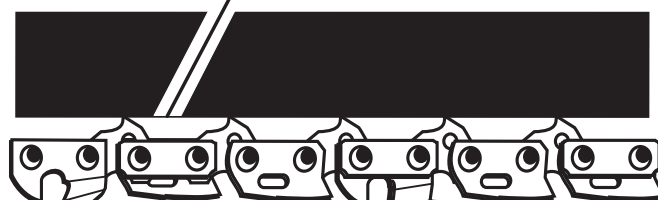
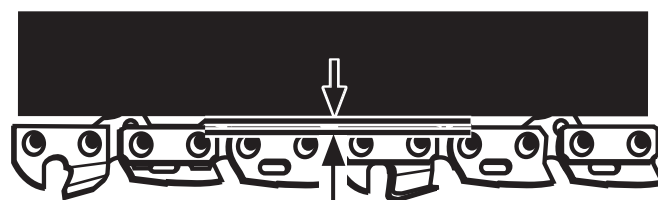


Fig. 34



≈ 1,25 mm  
(0,050 pulg.)

Fig. 35

### ESPACIO LIBRE DE LOS DIENTES LIMPIADORES (CALIBRES DE PROFUNDIDAD)



0,6 mm  
(0,025 pulg.)

Fig. 36



# MANTENIMIENTO

## FORMA DE AFILAR LOS DIENTES DE CORTE

Veá las figuras 38 a 40.

**NOTA:** Si no comprende completamente el procedimiento correcto de afilado de la cadena después de leer las instrucciones siguientes, lleve la sierra a afilar a un servicio de productos RYOBI o reemplácela con una cadena de contragolpe moderado recomendada. Tenga cuidado de limar todos los dientes de corte a los ángulos especificados y a la misma longitud, ya que sólo puede lograrse un corte rápido cuando están uniformes todos los dientes de corte.

### **⚠ ADVERTENCIA:**

La cadena de la sierra está sumamente afilada; siempre póngase guantes protectores al efectuar labores de mantenimiento de la cadena para evitar lesiones personales graves.

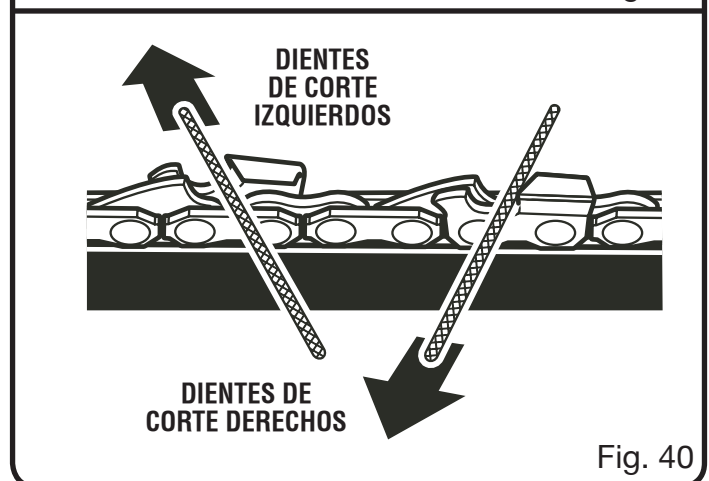
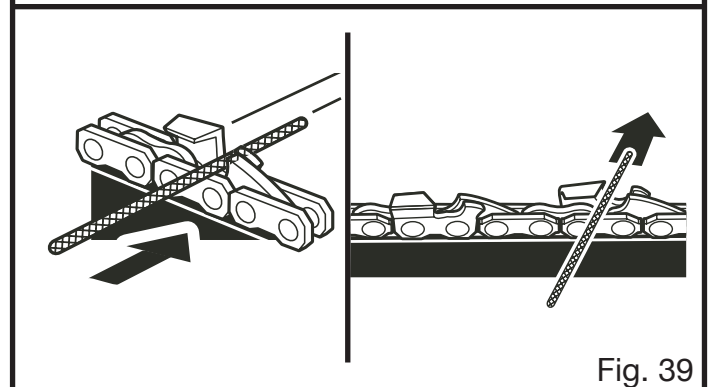
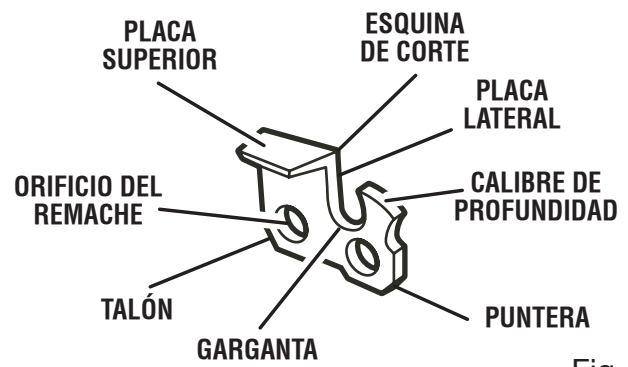
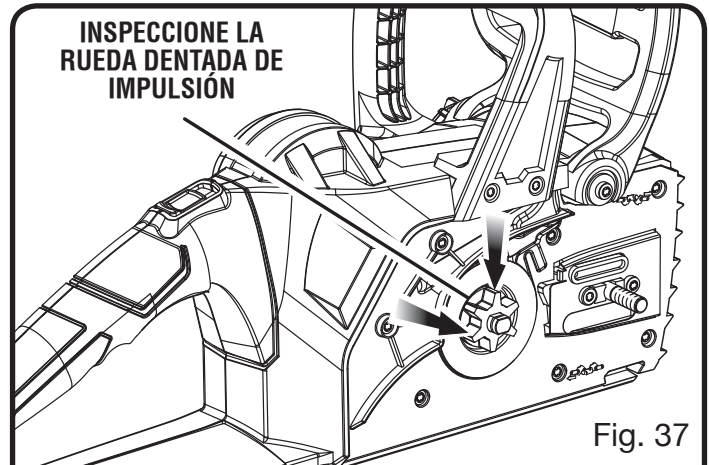
- Tense adecuadamente la cadena antes de afilarla. Consulte el apartado **Ajuste de la tensión de la cadena**, más arriba en este manual. Efectúe toda la limadura en el punto medio de la barra.
- Use una lima redonda de 5/32 pulg. de diámetro con mango.
- Mantenga la lima al nivel de la placa superior de los dientes de corte. No permita que la lima se incline ni se balancee.
- Con presión leve pero firme, pase la lima por el diente, hacia la esquina delantera del mismo.
- Levante la lima para separarla del acero en cada movimiento de regreso.
- Dé unas pocas pasadas firmes a cada diente de corte. Lime todos los dientes de corte izquierdos en una dirección. Después lleve la lima al otro lado y lime los dientes de corte derechos en la dirección opuesta. Ocasionalmente, con un cepillo de alambre limpie las limaduras producidas por la lima.

### **⚠ ADVERTENCIA:**

Un afilado inadecuado de la cadena aumenta el peligro de contragolpe, lo que podría resultar en lesiones personales graves.

### **⚠ ADVERTENCIA:**

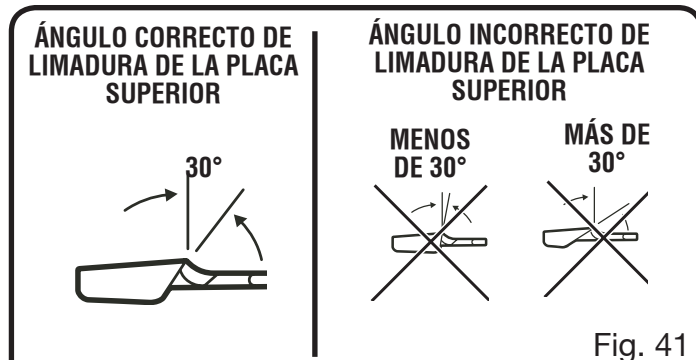
Si no se cambia o se repara la cadena cuando está dañada, puede causar lesiones serias.



## ÁNGULO DE LIMADURA DE LA PLACA SUPERIOR

Vea la figura 41.

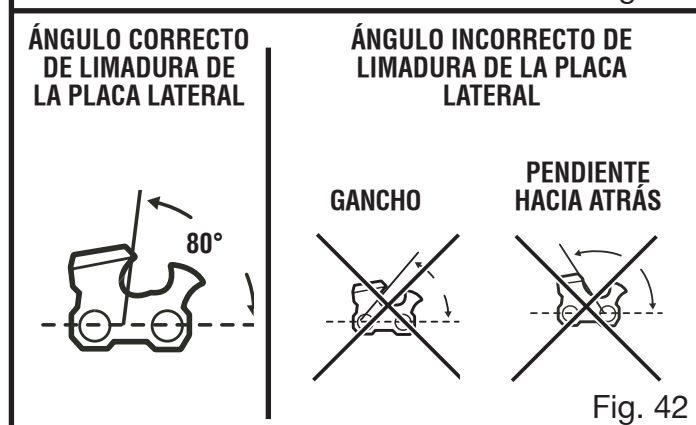
- **ÁNGULO CORRECTO:** 30° - Los mangos de las limas están marcados con marcas guía para alinear correctamente la lima con el fin de generar el ángulo correcto de la placa superior.
- **MENOS DE 30°** - Para corte transversal.
- **MÁS DE 30°** - El canto en bisel se desafilan rápidamente.



## ÁNGULO DE LA PLACA LATERAL

Vea la figura 42.

- **ÁNGULO CORRECTO:** 80° - Se genera automáticamente si se pone una lima de diámetro correcto en el mango.
- **EN FORMA DE GARFIO** - “Agarra” y se desafilan rápidamente. Aumenta el peligro de **CONTRAGOLPE**. Resulta de esta forma por usarse una lima de diámetro demasiado pequeño, o por sostenerse ésta muy abajo.
- **PENDIENTE HACIA ATRÁS** - Se necesita demasiada presión para avanzar el corte, causa desgaste excesivo en la barra y en la cadena. Resulta de esta forma por usarse una lima de diámetro demasiado grande, o por sostenerse ésta muy alto.

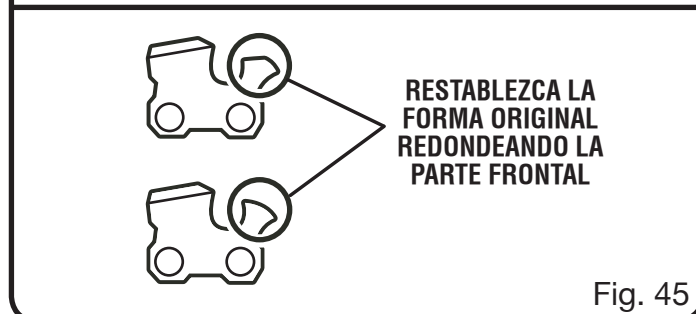
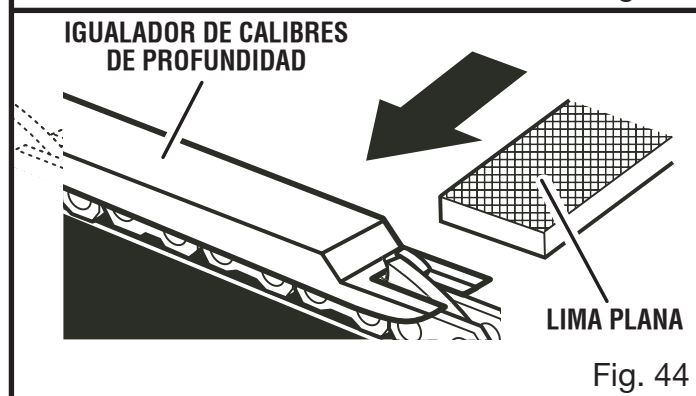
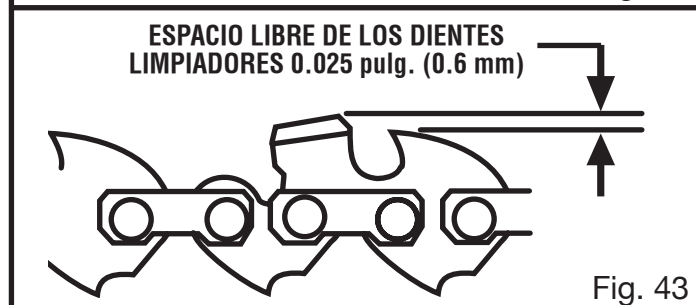


## ESPACIO LIBRE DEL CALIBRE DE PROFUNDIDAD

Vea la figura 43 a 45.

- El calibre de profundidad debe mantenerse a un espacio libre de 0,6 mm (0,025 pulg.). Utilice un instrumento de calibración de profundidad para verificar el espacio libre de los calibres de profundidad.
- Cada vez que se lima la cadena verifique el espacio libre de los calibres de profundidad.

Con una lima plana y un igualador de calibres de profundidad baje de manera uniforme todos los calibres. Los igualadores de calibres de profundidad vienen de 0,5 mm a 0,9 mm (0,020 pulg. a 0,035 pulg.). Use un igualador de calibres 0,6 mm (0,025 pulg.). Después de bajar cada calibre de profundidad, devuélvalos su forma original redondeando la parte frontal de los mismos. Tenga cuidado de no dañar los eslabones de impulsión adyacentes con el borde de la lima.



# MANTENIMIENTO

Cada calibre de profundidad debe ajustarse con la lima plana, en la misma dirección en que se limó con la lima redonda el diente de corte adyacente. Tenga cuidado de no tocar la cara del diente de corte adyacente con la lima plana al ajustar los calibres de profundidad.

## MANTENIMIENTO DE LA BARRA GUÍA

Cuando la barra guía muestre señales de desgaste, inviértala en la sierra para distribuir el desgaste y prolongar al máximo su vida de servicio. La barra debe limpiarse cada día de uso y debe revisarse para ver el desgaste y los posibles daños.

La formación de minúsculos surcos y protuberancias en los rieles de la barra es un proceso normal de desgaste de la misma. Tales fallas deben alisarse con una lima tan pronto como aparezcan.

Debe cambiarse toda barra que presente cualquiera de las siguientes fallas.

- Desgaste dentro de los rieles de la barra que permite a la cadena descansar sobre su costado.
- Barra guía doblada.
- Rieles agrietados o rotos.
- Rieles ensanchados.

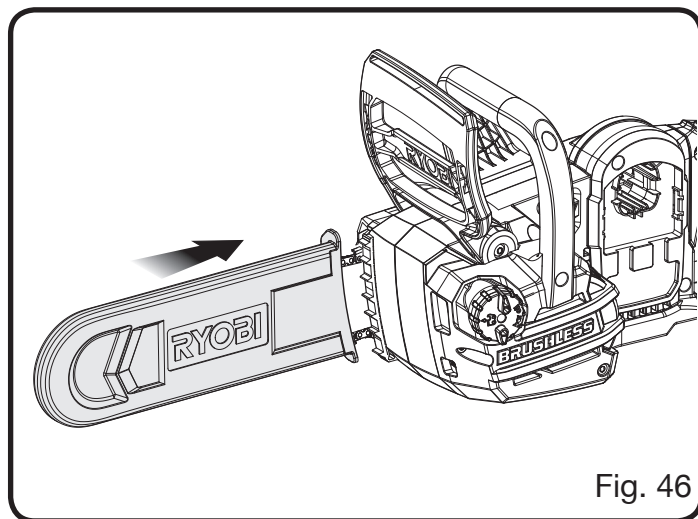
Lubrique semanalmente las barras guía dotadas de rueda dentada en la punta. Con una jeringa de grasa lubrique semanalmente el orificio de lubricación. Gire la barra guía y verifique que no tengan impurezas los orificios de lubricación y la ranura de la cadena.

**NOTA:** No sustituya el tornillo con un tornillo normal. Sólo utilice piezas de repuesto idénticas del fabricante al cambiar las piezas.

## TRANSPORTE Y ALMACENAMIENTO

Vea la figura 46.

- No guarde ni transporte la motosierra mientras la tenga encendida. La motosierra siempre debe estar apagada al guardarla o transportarla.
- Siempre coloque la funda en la barra y la cadena antes de guardar o transportar la motosierra. Tenga precaución y evite tocar los afilados dientes de la cadena.
- Limpie la motosierra completamente antes de guardarla. Guarde la motosierra en el interior, en un lugar seco y cerrado con llave, o inaccesible a los niños.
- Evite que la unidad entre en contacto con agentes corrosivos como las sustancias químicas para el jardín y las sales para derretir el hielo.



## COMBINACIONES DE BARRA Y CADENA

**Especificaciones de la cadena:** 9,53 mm (3/8 pulg.), ranura estrecha de perfil bajo, paso de cadena de 1,1 mm (0,043 pulg.), rueda impulsora de 5 dientes.

**Longitud  
barra**  
12 po

**Núm. pieza  
barra guía**  
312637001

**Núm. pieza  
cadena**  
682117001

**Eslabones  
de impulsión**  
45

## CORRECIÓN DE PROBLEMAS

Problema	Causa posible	Solución
La barra y la cadena están muy calientes y despiden humo.	Revise la tensión de la cadena para ver si es excesiva.  Está vacío el tanque de aceite de la cadena.	Tensión de la cadena. Consulte el apartado <b>Ajuste de la tensión de la cadena</b> , más arriba en este manual.  Revise el tanque de lubricante.
El motor funciona pero la cadena no avanza.	Demasiada tensión en la cadena.  Revise el conjunto de la barra guía y la cadena.  Revise la barra guía y la cadena para ver si están dañados.	Vuelva a tensar la cadena. Consulte el apartado <b>Ajuste de la tensión de la cadena</b> , más arriba en este manual.  Consulte el apartado <b>Reemplazo de la barra y de la cadena</b> más arriba en este manual.  Inspeccione la barra guía y la cadena para ver si están dañados.
El motor funciona y la cadena se desplaza, pero no corta.	Está desafilada la cadena.  Está montada al revés la cadena.	Está desafilada la cadena.  Invierta la orientación de la cadena.
Es difícil girar el anillo de ajuste de la tensión de la cadena.	La punta de la barra guía no está levantada.  La perilla de ajuste de la cubierta del embrague está demasiado apretada.	Levante la punta de la barra guía mientras gira el dial de ajuste de tensión.  Presione la perilla de ajuste de la cubierta del embrague y gírela hacia la izquierda para aflojar levemente la cubierta del embrague antes de intentar ajustar la tensión de la cadena.



## LLÁMENOS PRIMERO

¡Si tiene preguntas sobre el funcionamiento o el mantenimiento este producto, llame al teléfono de atención al consumidor de RYOBI!

La recortadora ha sido probada enteramente antes de embarcarse para asegurar la satisfacción del consumidor.

# GARANTÍA

## DECLARACIÓN DE LA GARANTÍA LIMITADA

Techtronic Industries North America, Inc. garantiza al comprador original al menudeo que este producto de la marca RYOBI® carece de defectos en los materiales y en la mano de obra, y acuerda reparar o reemplazar, a la sola discreción de Techtronic Industries North America, Inc., cualquier producto defectuoso, sin cargo alguno al comprador, dentro de los siguientes períodos de tiempo a partir de la fecha de compra.

- Tres años si los productos se emplean para uso personal, familiar o casero;
- 90 días si el producto se emplea para cualquier otro propósito, como el uso comercial o el de alquiler.

Esta garantía se otorga solamente al comprador original al menudeo, y comienza en la fecha de la compra original al menudeo.

Cualquier parte de este producto Techtronic Industries North America, Inc. que, a juicio razonable de la compañía, tenga defectos en los materiales o en la mano de obra, será reparado o reemplazado por un centro de servicio autorizado de herramientas para uso en el exterior de la marca RYOBI®, sin cargo alguno al comprador por concepto de piezas y mano de obra (Centro de Servicio Autorizado Ryobi).

El producto, incluida toda pieza defectuosa, debe enviarse a un centro de servicio autorizado Ryobi dentro del período de la garantía. El gasto de enviar el producto al centro de servicio para cualquier trabajo cubierto por la garantía, así como el gasto de devolverlo al propietario después de la reparación, correrán por cuenta del propietario. La responsabilidad de Techtronic Industries North America, Inc. con respecto a todo reclamo se limita a las reparaciones o reemplazo del producto, y ningún reclamo de incumplimiento de la garantía será causante de la cancelación o rescisión del contrato de venta de ninguna herramienta de uso en el exterior de la marca RYOBI®. En el establecimiento se requerirá el recibo de compra para respaldar cualquier reclamo al amparo de la garantía. Todo trabajo cubierto en la garantía debe ser realizado por un concesionario de servicio autorizado.

Esta garantía se limita a noventa (90) días a partir de la fecha original de la compra de cualquier herramienta de uso en el exterior de la marca RYOBI® empleada para propósitos comerciales o de alquiler, o cualquier otro propósito generador de ingresos.

Esta garantía no cubre ningún producto que haya sido sujeto a un uso indebido, maltrato, negligencia o accidente, o que haya sido utilizado de cualquier forma contraria a las instrucciones de manejo especificadas en el manual del operador del producto. Esta garantía no aplica a ningún daño en el producto que resulte de un mantenimiento indebido ni a ningún producto que haya sido alterado o modificado. La garantía no cubre ninguna reparación necesaria por el uso normal ni por el uso de piezas o accesorios que sean incompatibles con la herramienta para uso exterior de la marca RYOBI®, o afecten de forma desfavorable su funcionamiento, desempeño o durabilidad.

Además, esta garantía no cubre:

A. Afinación – Bujías, carburador, ajustes del carburador, encendido, filtros

B. Artículos sujetos a desgaste – Perillas de tope, carretes exteriores, hilos de corte, carretes interiores, poleas del arrancador, cuerdas del arrancador, correas de transmisión, aspas, arandelas de fieltro y pasadores de enganche, hojas de triturar, ventiladores de sopladoras, tubos de sopladoras y de aspiradoras, sacos y correas de aspiradoras, barras guía y cadenas de sierras

Techtronic Industries North America, Inc. se reserva el derecho a cambiar o mejorar el diseño de cualquier herramienta para uso en el exterior de la marca RYOBI® sin asumir ninguna obligación de modificar ningún producto fabricado previamente.

TODAS LAS GARANTÍAS IMPLÍCITAS ESTÁN LIMITADAS EN DURACIÓN SEGÚN EL PERÍODO DE GARANTÍA DECLARADA. POR CONSIGUIENTE, CUALQUIER GARANTÍA IMPLÍCITA, INCLUSO LAS DE COMERCIABILIDAD, IDONEIDAD PARA UN PROPÓSITO EN PARTICULAR, O DE CUALQUIER TIPO, PIERDEN TOTALMENTE SU VALIDEZ DESPUÉS DEL VENCIMIENTO DEL PERÍODO DE GARANTÍA CORRESPONDIENTE DE TRES AÑOS O NOVENTA DÍAS. DE CONFORMIDAD CON ESTA GARANTÍA, LA OBLIGACIÓN DE TECHTRONIC INDUSTRIES NORTH AMERICA, INC. SE LIMITA ESTRICTA Y EXCLUSIVAMENTE A LA REPARACIÓN O REPLAZO DE LAS PIEZAS DEFECTUOSAS, Y TECHTRONIC INDUSTRIES NORTH AMERICA, INC. NO ASUME NINGUNA OTRA OBLIGACIÓN, NI AUTORIZA A NADIE ASUMIRLA A NOMBRE DE DICHA COMPAÑÍA. ALGUNOS ESTADOS NO PERMITEN LIMITACIONES EN CUANTO A LA DURACIÓN DE UNA GARANTÍA IMPLÍCITA, POR LO CUAL ES POSIBLE QUE LA LIMITACIÓN ANTERIOR NO SE APLIQUE EN EL CASO DE USTED. TECHTRONIC INDUSTRIES NORTH AMERICA, INC. NO ASUME NINGUNA RESPONSABILIDAD POR DAÑOS DIRECTOS, INDIRECTOS O DE NINGÚN OTRO TIPO, COMO EL GASTO DE ENVIAR EL PRODUCTO A UN CENTRO DE SERVICIO AUTORIZADO RYOBI Y EL GASTO DE ENVIARLO DE ALLÍ AL PROPIETARIO, EL TIEMPO DE VIAJE DEL MECÁNICO, CARGOS TELEFÓNICOS O TELEGRÁFICOS, ALQUILER DE UN PRODUCTO SUSTITUTO DURANTE EL TIEMPO DE REALIZACIÓN DEL SERVICIO DE LA GARANTÍA, VIAJES, PÉRDIDA O DAÑOS A OBJETOS DE PROPIEDAD PERSONAL, PÉRDIDA DE INGRESOS, PÉRDIDA DEL USO DEL PRODUCTO, PÉRDIDA DE TIEMPO O INCONVENIENTES. EN ALGUNOS ESTADOS NO SE PERMITE LA EXCLUSIÓN O LIMITACIÓN DE DAÑOS DIRECTOS O INDIRECTOS, POR LO CUAL ES POSIBLE QUE LA LIMITACIÓN O EXCLUSIÓN DESCRITA ARRIBA NO SE APLIQUE EN SU CASO.

Esta garantía le confiere derechos legales específicos, y es posible que usted goce de otros derechos, los cuales pueden variar de estado a estado.

Esta garantía se aplica a todas las herramientas para uso en el exterior de la marca RYOBI® fabricadas por Techtronic Industries North America, Inc. y vendidos en Estados Unidos y Canadá.

Para encontrar el centro de servicio autorizado Ryobi más cercano a usted, llame al 1-800-860-4050.





**OPERATOR'S MANUAL**  
**MANUEL D'UTILISATION / MANUAL DEL OPERADOR**  
**18 VOLT CHAIN SAW**  
**SCIE À CHAÎNE DE 18 V / MOTOSIERRA DE 18 V**

**P548**

**CALIFORNIA PROPOSITION 65**

**⚠ WARNING:**

This product and substances that may become airborne from its use may contain chemicals, including lead, known to the State of California to cause cancer, birth defects, or other reproductive harm.  
**Wash hands after handling.**

**PROPOSITION 65 DE L'ÉTAT DE CALIFORNIE**

**⚠ AVERTISSEMENT :**

Ce produit et les autres substances rejetées dans l'air suite à son utilisation peuvent contenir des produits chimiques, notamment du plomb qui, selon l'État de la Californie, peuvent causer le cancer, des anomalies congénitales et d'autres dommages au système reproducteur. **Bien se laver les mains après toute manipulation.**

**CALIFORNIA - PROPUESTA DE LEY NÚM. 65**

**⚠ ADVERTENCIA:**

Este producto y las sustancias que puedan llegar a ser aerotransportadas por su uso pueden contener sustancias químicas (incluido el plomo) reconocidas por el estado de California como causantes de cáncer, defectos congénitos y otras afecciones del aparato reproductor. **Lávese las manos después de utilizar el aparato.**

RYOBI is a registered trademark of Ryobi Limited and is used pursuant to a license granted by Ryobi Limited.

RYOBI est une marque déposée de Ryobi Limited et est utilisée en vertu d'une licence accordée par Ryobi Limited.

RYOBI es una marca registrada de Ryobi Limited y se utiliza conforme a una licencia otorgada por Ryobi Limited.

• **PARTS AND SERVICE:** Prior to requesting service or purchasing replacement parts, please obtain your item, manufacturing, and serial numbers from the product data plate.

ITEM NO. \_\_\_\_\_

MANUFACTURING NO. \_\_\_\_\_

SERIAL NO. \_\_\_\_\_

**HOW TO OBTAIN REPLACEMENT PARTS:** Replacement parts can be purchased online at [www.ryobitools.com](http://www.ryobitools.com) or by calling 1-800-860-4050. Replacement parts can also be obtained at one of our service centers.

**HOW TO LOCATE A SERVICE CENTER:** Service centers can be located online at [www.ryobitools.com](http://www.ryobitools.com) or by calling 1-800-860-4050.

**HOW TO OBTAIN CUSTOMER OR TECHNICAL SUPPORT:** To obtain customer or technical support please contact us at 1-800-860-4050.

• • • • •

• **PIÈCES ET SERVICE :** Avant de faire la demande de service ou l'achat de pièces de remplacement, veuillez obtenir le numéro d'article, le numéro de fabrication et le numéro de série à partir de la plaque de données du produit.

NUMÉRO D'ARTICLE \_\_\_\_\_

NUMÉRO DE FABRICATION \_\_\_\_\_

NUMÉRO DE SÉRIE \_\_\_\_\_

**COMMENT OBTENIR LES PIÈCES DE REMPLACEMENT :** Les pièces de remplacement peuvent être achetées en ligne sur le site [www.ryobitools.com](http://www.ryobitools.com) ou par téléphone au 1-800-860-4050. Les pièces de remplacement peuvent être obtenues à un de nos centres de service.

**COMMENT TROUVER UN CENTRE DE SERVICE :** Les centres de service peuvent être localisés en ligne au [www.ryobitools.com](http://www.ryobitools.com) ou en téléphonant au 1-800-860-4050.

**COMMENT OBTENIR DE L'AIDE EN CONTACTANT LE SERVICE À LA CLIENTÈLE :** Pour contacter le service à la clientèle pour une question technique ou pour tout autre renseignement, veuillez nous téléphoner au 1-800-860-4050.

• • • • •

• **PIEZAS DE REPUESTO Y SERVICIO:** Antes de solicitar servicio técnico o comprar piezas de repuesto, obtenga su número de artículo, el número de fabricación y el número de serie de la placa de datos del producto.

NÚMERO DE ARTÍCULO \_\_\_\_\_

NÚMERO DE FABRICACIÓN \_\_\_\_\_

NÚMERO DE SERIE \_\_\_\_\_

**CÓMO OBTENER PIEZAS DE REPUESTO:** Las piezas de repuesto se pueden comprar en nuestro sitio en la red mundial, en la dirección [www.ryobitools.com](http://www.ryobitools.com) o llamando al 1-800-860-4050. Las piezas de repuesto también se pueden obtener en uno de nuestros centros de servicio.

**CÓMO LOCALIZAR UN CENTRO DE SERVICIO:** Puede encontrar los centros de servicio visitando nuestro sitio en la red mundial, en la dirección [www.ryobitools.com](http://www.ryobitools.com) or by calling 1-800-860-4050.

**CÓMO OBTENER SERVICIO O ASISTENCIA TÉCNICA AL CONSUMIDOR:** Para obtener servicio o asistencia técnica al consumidor, sírvase comunicarse con nosotros llamando al 1-800-860-4050.

**TECHTRONIC INDUSTRIES POWER EQUIPMENT**

1428 Pearman Dairy Road, Anderson, SC 29625 USA

1-800-860-4050 • [www.ryobitools.com](http://www.ryobitools.com)



# OPERATOR'S MANUAL

## MANUEL D'UTILISATION

## MANUAL DEL OPERADOR

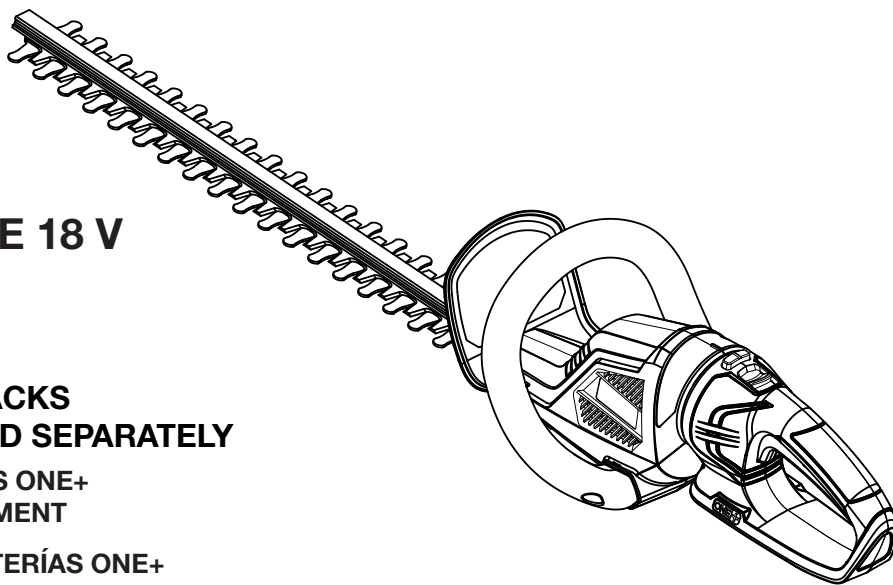
### 18 VOLT

### HEDGE TRIMMER

### TAILLE-HAIES 18 V

### PODADORA DE SETOS DE 18 V

### P2606



**ACCEPTS ALL ONE+ BATTERY PACKS  
BATTERIES AND CHARGERS SOLD SEPARATELY**

**COMPATIBLE AVEC TOUS LE BATTERIES ONE+  
PILES ET CHARGEUR VENDUS SÉPARÉMENT**

**ACEPTA TODOS LOS PAQUETES DE BATERÍAS ONE+  
LAS BATERÍAS Y EL CARGADOR SE VENDEN POR SEPARADO**

Your hedge trimmer has been engineered and manufactured to our high standard for dependability, ease of operation, and operator safety. When properly cared for, it will give you years of rugged, trouble-free performance.

**⚠ WARNING:** To reduce the risk of injury, the user must read and understand the operator's manual before using this product.

Thank you for your purchase.

## SAVE THIS MANUAL FOR FUTURE REFERENCE

Ce taille-haies a été conçu et fabriqué conformément à nos strictes normes de fiabilité, simplicité d'emploi et sécurité d'utilisation. Correctement entretenu, cet outil vous donnera des années de fonctionnement robuste et sans problème.

**⚠ AVERTISSEMENT :** Pour réduire les risques de blessures, l'utilisateur doit lire et veiller à bien comprendre le manuel d'utilisation avant d'employer ce produit.

Merci de votre achat.

**CONSERVER CE MANUEL POUR  
FUTURE RÉFÉRENCE**

Su podadora de setos ha sido diseñado y fabricado de conformidad con nuestras estrictas normas para brindar fiabilidad, facilidad de uso y seguridad para el operador. Con el debido cuidado, le brindará muchos años de sólido funcionamiento y sin problemas.

**⚠ ADVERTENCIA:** Para reducir el riesgo de lesiones, el usuario debe leer y comprender el manual del operador antes de usar este producto.

Le agradecemos su compra.

**GUARDE ESTE MANUAL PARA  
FUTURAS CONSULTAS**

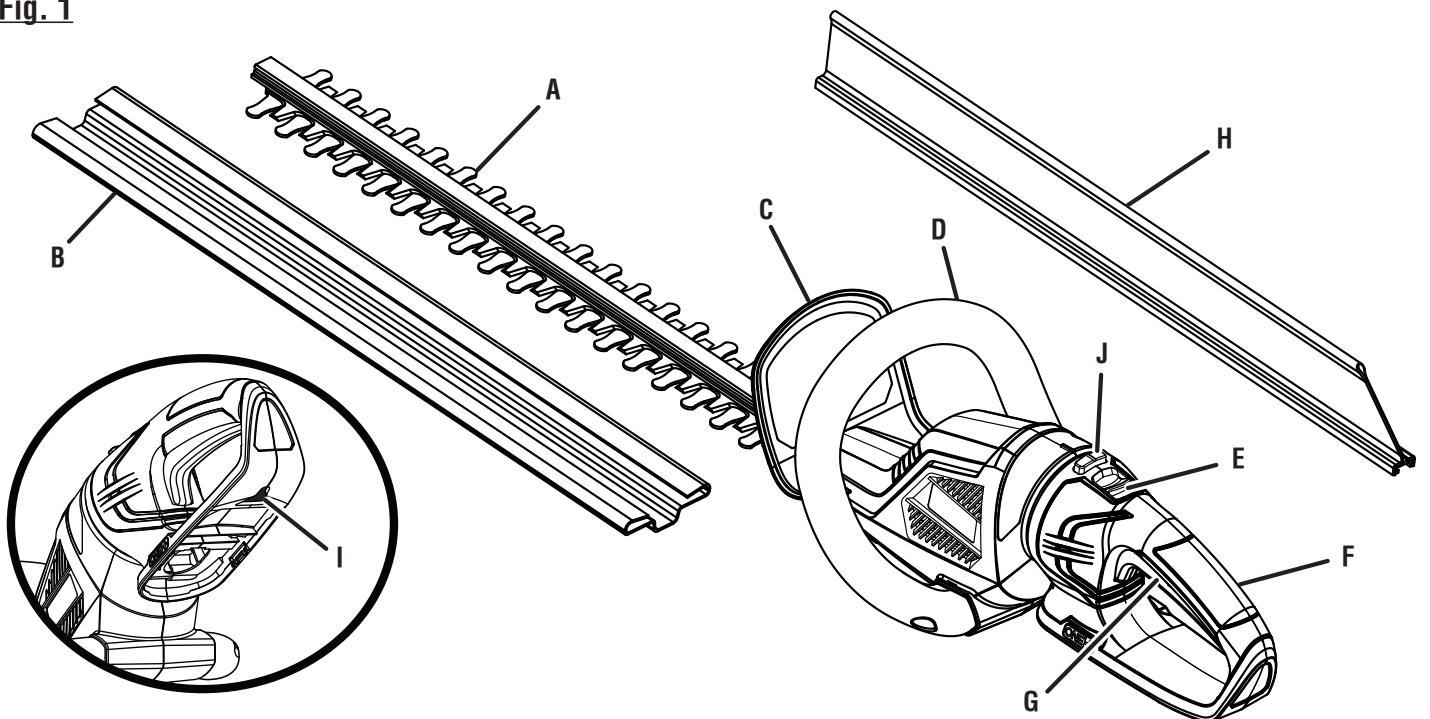


**See this fold-out section for all of the figures referenced in the operator's manual.**

**Consulter l'encart à volets afin d'examiner toutes les figures mentionnées dans le manuel d'utilisation.**

**Consulte esta sección desplegable para ver todas las figuras a las que se hace referencia en el manual del operador.**

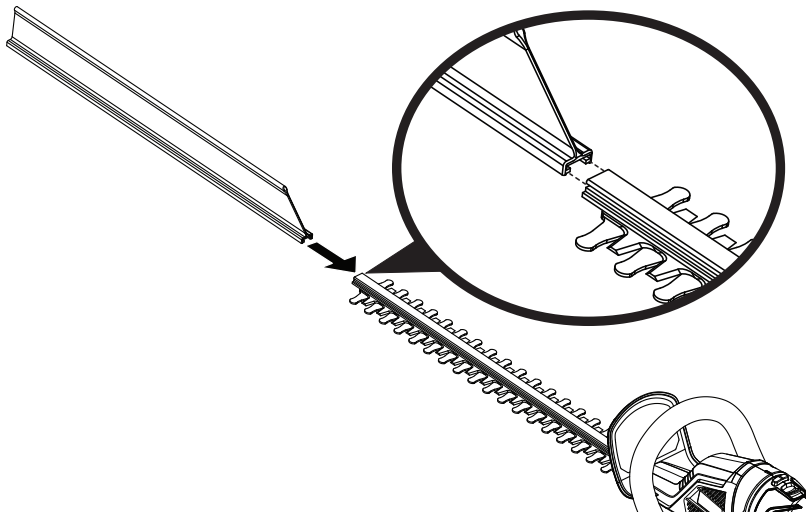
**Fig. 1**



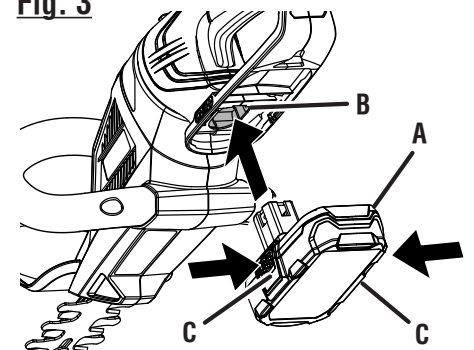
- A - Blades (lames, hojas)
- B - Scabbard (fourreau, funda)
- C - Guard (garde, protección)
- D - Front handle (poignée avant, mango delantero)
- E - Lock-out button (bouton de verrouillage, botón del seguro)
- F - Rear Handle (poignée arrière, mango trasero)

- G - Switch trigger (gâchette, gatillo)
- H - Debris deflector (déflecteur de débris, deflector de desechos)
- I - Keyhole hanger (suspension de trou clé, soporte bocallave)
- J - Rotating handle button (bouton de la poignée pivotante, perilla del mango giratorio)

**Fig. 2**

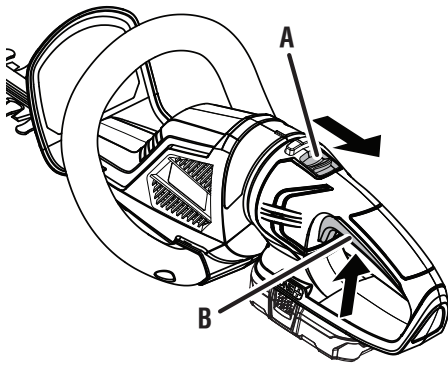


**Fig. 3**



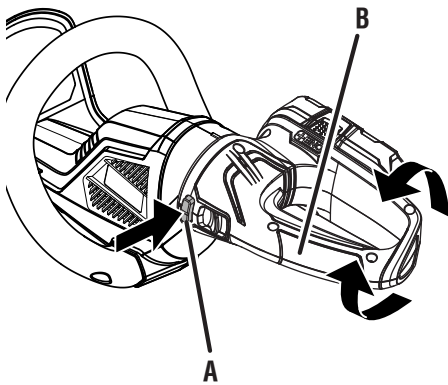
- A - Battery pack (bloc-piles, paquete de baterías)
- B - Battery port (logement de batteries, receptáculo para pilas)
- C - Latches (loquets, pestillos)

**Fig. 4**



A - Lock-out button (bouton de verrouillage, botón del seguro)  
 B - Switch trigger (gâchette, gatillo del interruptor)

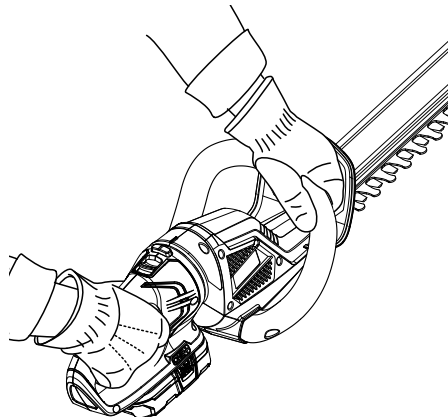
**Fig. 5**



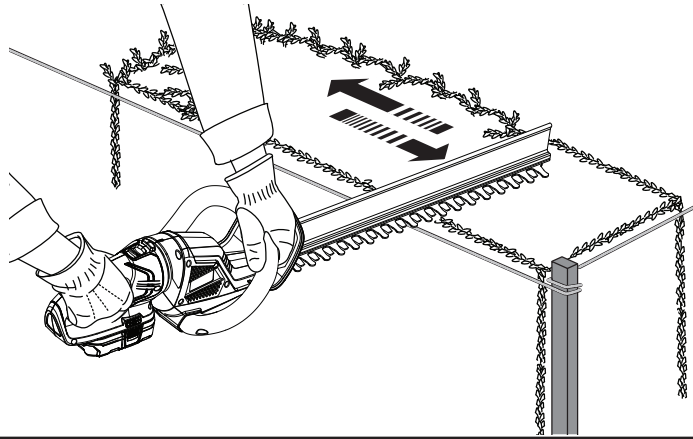
A - Rotating handle button (bouton de la poignée pivotante, perilla del mango giratorio)  
 B - Rear Handle (poignée arrière, mango trasero)

**Fig. 6**

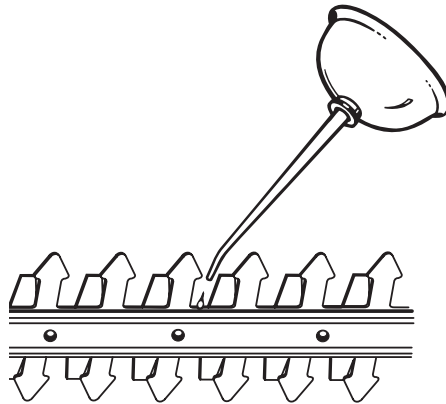
**PROPER OPERATING POSITION  
 BONNE POSITION DE TRAVAIL  
 POSICIÓN CORRECTA PARA EL MANEJO  
 DE LA HERRAMIENTA**



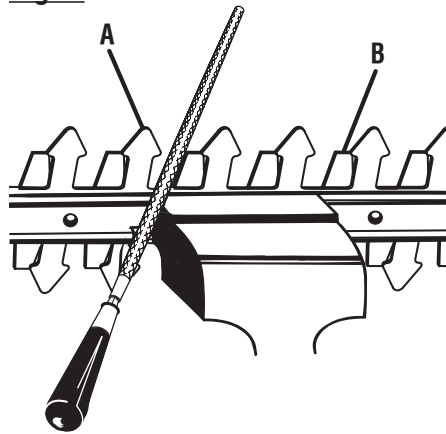
**Fig. 7**



**Fig. 8**

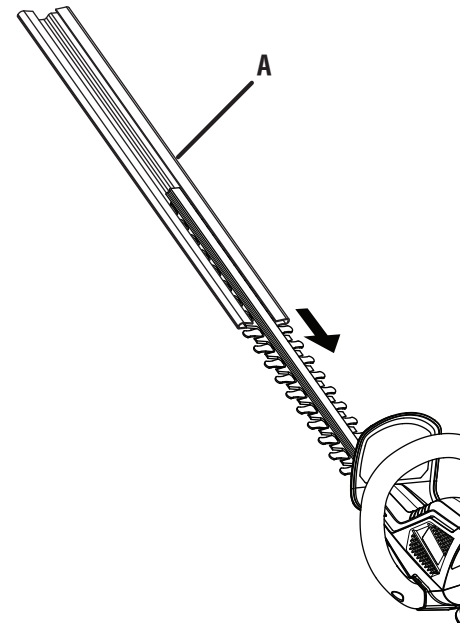


**Fig. 9**



A - Guard teeth (dents de coupe, dientes de protección)  
 B - Cutting teeth (dents de coupe, dientes de corte)

**Fig. 10**



A - Scabbard (fourreau, funda)

# TABLE OF CONTENTS

## TABLE DES MATIÈRES / ÍNDICE DE CONTENIDO

■ Introduction .....	2
Introduction / Introducción	
■ General Power Tool Safety Warnings.....	3-4
Avertissements de sécurité généraux aux outils électriques / Advertencias de seguridad generales para el uso de herramientas eléctricas	
■ Hedge Trimmer Safety Warnings.....	4
Avertissements de sécurité pour la taille-haies / Advertencias de seguridad de la podadora de setos	
■ Symbols.....	5-6
Symboles / Símbolos	
■ Features.....	7
Caractéristiques / Características	
■ Assembly .....	7
Assemblage / Armado	
■ Operation.....	8-9
Utilisation / Funcionamiento	
■ Maintenance .....	10-11
Entretien / Mantenimiento	
■ Warranty .....	12
Garantie / Garantía	
■ Parts Ordering and Service .....	Back Page
Commande de pièces et réparation / Pedidos de piezas y servicio.....	Page arrière / Pág. posterior

## INTRODUCTION

### INTRODUCTION / INTRODUCCIÓN

This product has many features for making its use more pleasant and enjoyable. Safety, performance, and dependability have been given top priority in the design of this product making it easy to maintain and operate.

\* \* \*

Ce produit offre de nombreuses fonctions destinées à rendre son utilisation plus plaisante et satisfaisante. Lors de la conception de ce produit, l'accent a été mis sur la sécurité, les performances et la fiabilité, afin d'en faire un outil facile à utiliser et à entretenir.

\* \* \*

Este producto ofrece numerosas características para hacer más agradable y placentero su uso. En el diseño de este producto se ha conferido prioridad a la seguridad, el desempeño y la fiabilidad, por lo cual se facilita su manejo y mantenimiento.

# GENERAL POWER TOOL SAFETY WARNINGS

## **WARNING!**

Read all safety warnings and all instructions. Failure to follow the warnings and instructions may result in electric shock, fire and/or serious injury

**Save all warnings and instructions for future reference.** The term “power tool” in the warnings refers to your mains-operated (corded) power tool or battery-operated (cordless) power tool.

## WORK AREA SAFETY

- **Keep work area clean and well lit.** Cluttered or dark areas invite accidents.
- **Do not operate power tools in explosive atmospheres, such as in the presence of flammable liquids, gases or dust.** Power tools create sparks which may ignite the dust or fumes.
- **Keep children and bystanders away while operating a power tool.** Distractions can cause you to lose control.

## ELECTRICAL SAFETY

- **Power tool plugs must match the outlet. Never modify the plug in any way. Do not use any adapter plugs with earthed (grounded) power tools.** Unmodified plugs and matching outlets will reduce risk of electric shock.
- **Avoid body contact with earthed or grounded surfaces such as pipes, radiators, ranges and refrigerators.** There is an increased risk of electric shock if your body is earthed or grounded.
- **Do not expose power tools to rain or wet conditions.** Water entering a power tool will increase the risk of electric shock.
- **Do not abuse the cord. Never use the cord for carrying, pulling or unplugging the power tool. Keep cord away from heat, oil, sharp edges or moving parts.** Damaged or entangled cords increase the risk of electric shock.
- **When operating a power tool outdoors, use an extension cord suitable for outdoor use.** Use of a cord suitable for outdoor use reduces the risk of electric shock.
- **If operating a power tool in a damp location is unavoidable, use a ground fault circuit interrupter (GFCI) protected supply.** Use of a GFCI reduces the risk of electric shock.

## PERSONAL SAFETY

- **Stay alert, watch what you are doing and use common sense when operating a power tool. Do not use a power tool while you are tired or under the influence of drugs, alcohol or medication.** A moment of inattention while operating power tools may result in serious personal injury.
- **Use personal protective equipment. Always wear eye protection.** Protective equipment such as dust mask, non-skid safety shoes, hard hat, or hearing protection

used for appropriate conditions will reduce personal injuries.

- **Prevent unintentional starting. Ensure the switch is in the off-position before connecting to power source and/or battery pack, picking up or carrying the tool.** Carrying power tools with your finger on the switch or energising power tools that have the switch on invites accidents.
- **Remove any adjusting key or wrench before turning the power tool on.** A wrench or a key left attached to a rotating part of the power tool may result in personal injury.
- **Do not overreach. Keep proper footing and balance at all times.** This enables better control of the power tool in unexpected situations.
- **Dress properly. Do not wear loose clothing or jewellery. Keep your hair, clothing and gloves away from moving parts.** Loose clothes, jewellery or long hair can be caught in moving parts.
- **If devices are provided for the connection of dust extraction and collection facilities, ensure these are connected and properly used.** Use of dust collection can reduce dust-related hazards.
- **Do not wear loose clothing or jewelry. Contain long hair.** Loose clothes, jewelry, or long hair can be drawn into air vents.
- **Do not use on a ladder or unstable support.** Stable footing on a solid surface enables better control of the power tool in unexpected situations.
- **Wear heavy, long pants, long sleeves, boots, and gloves.** Do not wear loose fitting clothing, short pants, sandals, or go barefoot. Do not wear jewelry of any kind.

## POWER TOOL USE AND CARE

- **Do not force the power tool. Use the correct power tool for your application.** The correct power tool will do the job better and safer at the rate for which it was designed.
- **Do not use the power tool if the switch does not turn it on and off.** Any power tool that cannot be controlled with the switch is dangerous and must be repaired.
- **Disconnect the plug from the power source and/or the battery pack from the power tool before making any adjustments, changing accessories, or storing power tools.** Such preventive safety measures reduce the risk of starting the power tool accidentally.
- **Store idle power tools out of the reach of children and do not allow persons unfamiliar with the power tool or these instructions to operate the power tool.** Power tools are dangerous in the hands of untrained users.
- **Maintain power tools. Check for misalignment or binding of moving parts, breakage of parts and any other condition that may affect the power tool’s operation. If damaged, have the power tool repaired before use.** Many accidents are caused by poorly maintained power tools.

# GENERAL POWER TOOL SAFETY WARNINGS

- **Keep cutting tools sharp and clean.** Properly maintained cutting tools with sharp cutting edges are less likely to bind and are easier to control.
- **Use the power tool, accessories and tool bits etc. in accordance with these instructions, taking into account the working conditions and the work to be performed.** Use of the power tool for operations different from those intended could result in a hazardous situation.

## BATTERY TOOL USE AND CARE

- **Recharge only with the charger specified by the manufacturer.** A charger that is suitable for one type of battery pack may create a risk of fire when used with another battery pack.
- **Use power tools only with specifically designated battery packs.** Use of any other battery packs may create a risk of injury and fire.
- **When battery pack is not in use, keep it away from other metal objects, like paper clips, coins, keys, nails,**

**screws or other small metal objects, that can make a connection from one terminal to another.** Shorting the battery terminals together may cause burns or a fire.

- **Under abusive conditions, liquid may be ejected from the battery; avoid contact. If contact accidentally occurs, flush with water. If liquid contacts eyes, additionally seek medical help.** Liquid ejected from the battery may cause irritation or burns.

## SERVICE

- **Have your power tool serviced by a qualified repair person using only identical replacement parts.** This will ensure that the safety of the power tool is maintained.
- **When servicing a power tool, use only identical replacement parts. Follow instructions in the Maintenance section of this manual.** Use of unauthorized parts or failure to follow Maintenance instructions may create a risk of shock or injury.




# HEDGE TRIMMER SAFETY WARNINGS

- **Keep all parts of the body away from the cutter blade. Do not remove cut material or hold material to be cut when blades are moving. Make sure the switch is off when clearing jammed material. Blades coast after turn off.** A moment of inattention while operating the hedge trimmer may result in serious personal injury.
- **Carry the hedge trimmer by the handle with the cutter blade stopped.** Proper handling of the hedge trimmer will reduce possible personal injury from the cutter blades.
- **Hold the power tool by insulated gripping surfaces only, because the cutter blade may contact hidden wiring.** Cutter blades contacting a “live” wire may make exposed metal parts of the power tool “live” and could give the operator an electric shock.
- **DANGER — Keep hands away from blade.** Contact with blade will result in serious personal injury.
- **WARNING — Only use with handle and guard properly assembled to hedge trimmer.** The use of the hedge trimmer without the proper guard or handle provided may result in serious personal injury.
- **Use both hands when operating the hedge trimmer.** Using one hand could cause loss of control and result in serious personal injury.
- **Always wear eye protection with side shields marked to comply with ANSI Z87.1.** Following this rule will reduce the risk of serious personal injury.
- **Clear the area to be cut before each use.** Remove all objects such as cords, lights, wire, or loose string which can become entangled in the cutting blade and create a risk of serious personal injury.
- **Before starting the hedge trimmer, make sure the blade is not in contact with any object.**










- **Stop the unit, remove the battery pack, and make sure the blade has stopped before setting the unit down.**
- **Never cut any material with a diameter larger than 3/4 in.**
- **Always stop the motor when cutting is delayed or when walking from one cutting location to another.**
- **Keep unit clean of clippings and other materials. They may become lodged in the cutting blades.**
- **If hedge trimmer is equipped with a debris remover, do not use the debris remover as a gripping surface.**
- **Store the unit inside in a dry place, either locked up or up high to prevent unauthorized use or damage. Keep out of the reach of children or untrained individuals.**
- **Replace blade cover when unit is not in use.**
- **Never douse or squirt the unit with water or any other liquid. Keep handles dry, clean, and free from debris. Clean after each use; see storage instructions.**
- **Secure the unit while transporting.**
- **Battery operated units do not have to be plugged into an electrical outlet; therefore, they are always in operating condition. Be aware of possible hazards even when unit is not operating.**
- **Remove the battery pack before making any adjustments, cleaning, storing, or removing material from the unit, or when not in use.**
- **When transporting or storing the hedge trimmer always fit the cutting device cover.**
- **Use only with charger listed. For use with 18 V nickel-cadmium and 18 V lithium-ion battery packs. See Tool/Appliance/Battery Pack/Charger Correlation Supplement 987000-432.**
- **Save these instructions. Refer to them frequently and use them to instruct others who may use this tool. If you loan someone this tool, loan them these instructions also.**

# SYMBOLS

The following signal words and meanings are intended to explain the levels of risk associated with this product.



SYMBOL	SIGNAL	MEANING
	<b>DANGER:</b>	Indicates an imminently hazardous situation, which, if not avoided, will result in death or serious injury.
	<b>WARNING:</b>	Indicates a potentially hazardous situation, which, if not avoided, could result in death or serious injury.
	<b>CAUTION:</b>	Indicates a potentially hazardous situation, which, if not avoided, may result in minor or moderate injury.
	<b>NOTICE:</b>	(Without Safety Alert Symbol) Indicates important information not related to an injury hazard, such as a situation that may result in property damage.

Some of the following symbols may be used on this product. Please study them and learn their meaning. Proper interpretation of these symbols will allow you to operate the product better and safer.

SYMBOL	NAME	EXPLANATION
	Safety Alert Symbol	Indicates a potential personal injury hazard.
	Read Operator's Manual	To reduce the risk of injury, user must read and understand operator's manual before using this product.
	Eye Protection	Always wear eye protection with side shields marked to comply with ANSI Z87.1.
	Wet Conditions Alert	Do not expose to rain or use in damp locations.
	No Hands Symbol	Failure to keep your hands away from the blade will result in serious personal injury.
	Keep Bystanders Away	Keep all bystanders at least 50 ft. away.
	Gloves	Wear non-slip, heavy-duty protective gloves when handling the blades.
	Operate With Two Hands	Hold and operate the hedge trimmer properly with both hands.
	Moving Parts	Keep hands away from moving parts.

# SYMBOLS

Some of the following symbols may be used on this product. Please study them and learn their meaning. Proper interpretation of these symbols will allow you to operate the product better and safer.

SYMBOL	NAME	EXPLANATION
	Electric Shock	Failure to use in dry conditions and to observe safe practices can result in electric shock.
	Recycle Symbols	This product uses nickel-cadmium (Ni-Cd) and lithium-ion (Li-ion) batteries. Local, state, or federal laws may prohibit disposal of batteries in ordinary trash. Consult your local waste authority for information regarding available recycling and/or disposal options.
V	Volts	Voltage
hrs	Hours	Time
—	Direct Current	Type or a characteristic of current
$n_0$	No Load Speed	Rotational speed, at no load
.../min	Per Minute	Revolutions, strokes, surface speed, orbits etc., per minute

# FEATURES

## PRODUCT SPECIFICATIONS

Motor..... 18 V DC  
Blade Length..... 22 in.

Cutting Capacity..... 3/4 in.  
Cutting Speed ..... 1,500 cuts/min

## KNOW YOUR HEDGE TRIMMER

See Figure 1.

The safe use of this product requires an understanding of the information on the tool and in this operator's manual as well as a knowledge of the project you are attempting. Before use of this product, familiarize yourself with all operating features and safety rules.

## DEBRIS DEFLECTOR

When installed, the debris deflector makes removal of cut debris easier.

## GUARD

The guard helps to deflect chips or other debris away from the operator's hands.

## KEYHOLE HANGER

Built in hanger allows you to easily and conveniently store the unit safely out of the way.

## LOCK-OUT BUTTON

The lock-out button prevents unintentional starting of the hedge trimmer.

## ROTATING REAR HANDLE

The rear handle can be rotated to lock at either side in 45° or 90° angles for ease of use when trimming. This is useful when trimming vertically or along the sides of shrubbery.

## SCABBARD

The scabbard keeps the operator from coming in contact with the sharp blades when the tool is not in use. It also helps keep the blades from being nicked or damaged when the tool is in storage.

# ASSEMBLY

## UNPACKING

This product has been shipped completely assembled.

- Carefully remove the product and any accessories from the box. Make sure that all items listed in the packing list are included.

### WARNING:

Do not use this product if it is not completely assembled or if any parts appear to be missing or damaged. Use of a product that is not properly and completely assembled could result in serious personal injury.

- Inspect the product carefully to make sure no breakage or damage occurred during shipping.
- Do not discard the packing material until you have carefully inspected and satisfactorily operated the product.
- If any parts are damaged or missing, please call 1-800-860-4050 for assistance.

## PACKING LIST

Hedge Trimmer  
Debris Deflector  
Scabbard  
Operator's Manual

### WARNING:

If any parts are damaged or missing do not operate this product until the parts are replaced. Use of this product with damaged or missing parts could result in serious personal injury.

### WARNING:

Do not attempt to modify this product or create accessories not recommended for use with this product. Any such alteration or modification is misuse and could result in a hazardous condition leading to possible serious personal injury.

### WARNING:

To prevent accidental starting that could cause serious personal injury, always remove the battery pack from the product when assembling parts.



# OPERATION

## **WARNING:**

Do not allow familiarity with this product to make you careless. Remember that a careless fraction of a second is sufficient to inflict serious injury.

## **WARNING:**

Always wear eye protection with side shields marked to comply with ANSI Z87.1. Failure to do so could result in objects being thrown into your eyes resulting in possible serious injury.

## **WARNING:**

Do not use any attachments or accessories not recommended by the manufacturer of this product. The use of attachments or accessories not recommended can result in serious personal injury.

## **NOTICE:**

Before each use, inspect the entire product for damaged, missing, or loose parts such as screws, nuts, bolts, caps, etc. Tighten securely all fasteners and caps and do not operate this product until all missing or damaged parts are replaced. Please call 1-800-860-4050 or contact an authorized service center for assistance.

## **APPLICATIONS**

You may use this product for the purpose listed below:

- Trimming and shaping hedges and shrubbery

This product will accept Ryobi One+ 18 V lithium-ion battery packs and Ryobi One+ 18 V nickel-cadmium battery packs.

For complete charging instructions, refer to the Operator's Manuals for your Ryobi One+ battery pack and charger models.

## **INSTALLING DEBRIS DEFLECTOR**

*See Figure 2.*

**NOTE:** Always wear non-slip, heavy-duty gloves when installing or removing the debris deflector.

- Remove the battery pack.
- Place the hedge trimmer on a sturdy flat surface.
- Align the angled edge of the debris deflector with the grooves on the guide bar.
- Slide the deflector completely onto the guide bar so the angled edge of the deflector rests beneath the guard.
- Insert the deflector retainer in the end of guide bar.

## **WARNING:**

Never use the debris deflector as a handle or attempt to hold or guide the hedge trimmer by gripping the debris deflector. Always keep both hands on the hedge trimmer handles. Improper handling of hedge trimmer could result in serious injury.

## **TO INSTALL / REMOVE BATTERY PACK**

*See Figure 3.*

## **WARNING:**

Always remove battery pack from your tool when you are assembling parts, making adjustments, cleaning, or when not in use. Removing battery pack will prevent accidental starting that could cause serious personal injury.

### **To install:**

- Insert the battery pack into the product as shown.
- Make sure the latches on each side of the battery pack snap in place and that the battery pack is secured in the hedge trimmer before beginning operation.

## **NOTICE:**

When placing battery pack in the tool, be sure raised rib on battery pack aligns with the bottom of the tool and latches into place properly. Improper installation of the battery pack can cause damage to internal components.

### **To remove:**

- Locate the latches on the side of the battery pack and depress both sides to release the battery pack from the hedge trimmer.

## **WARNING:**

Battery tools are always in operating condition. Therefore, switch should always be locked with hands free of the lock-out button when not in use. Remove battery pack when transporting or carrying hedge trimmer to avoid accidental starting, which may result in serious injury.

# OPERATION

## STARTING AND STOPPING THE HEDGE TRIMMER

See Figure 4.

### To start:

- Remove the scabbard.
- Press and hold the lock-out button.
- Depress the switch trigger.
- Release the lock-out button. Continue to depress the switch trigger for extended operation.

### To stop:

- Release the switch trigger to stop the hedge trimmer.
- Upon release of the switch trigger, the lock-out button will automatically reset to the locked position.

## ROTATING HANDLE

See Figure 5

The handle can be rotated 45° or 90° to the left or to the right.

### To rotate handle:

- Remove the battery pack.
- Press on the rotating handle button.
- Turn handle to the right or to the left.
- Release rotating handle button.
- Keep turning handle until it locks into place in one of the 45° or 90° positions.

**NOTE:** The trimmer will only operate at one of these locked positions. The handle is locked when the rotating handle button is securely in place and the handle will no longer move to either side.

## HOLDING THE HEDGE TRIMMER

See Figure 6.

The unit has both a front and rear handle. With the blade directed away from you, hold the unit by both handles.

### **WARNING:**

Always keep both hands on the hedge trimmer handles. Never hold shrubs with one hand and operate the hedge trimmer with the other. Improper operation of the hedge trimmer may result in serious injury.

## CUTTING TIPS

See Figure 7.

### **DANGER:**

Never cut near electric cords or lines. If blade jams on any electrical cord or line, **DO NOT TOUCH THE BLADE! IT CAN BECOME ELECTRICALLY LIVE AND VERY DANGEROUS.** Continue to hold the hedge trimmer by the insulated rear handle or lay it down and away from you in a safe manner. Disconnect the electrical service to the damaged line or cord before attempting to free the blade from the line or cord. Contact with the blade, other conductive parts of the hedge trimmer, or live electric cords or lines will result in death by electrocution or serious injury.

### **WARNING:**

Clear the area to be cut before each use. Remove all objects such as cords, lights, wire, or loose string which can become entangled in the cutting blade and create a risk of serious personal injury.

- Before starting the hedge trimmer, hold the unit with both hands with the cutting blades directed away from you. Always use the hedge trimmer properly.
- Do not force the hedge trimmer through heavy shrubbery. This can cause the blades to bind and slow down. If the blades slow down, reduce the pace.
- Do not try to cut stems or twigs that are larger than 3/4 in. thick, or those obviously too large to feed into the cutting blade. Use a non-powered hand saw or pruning saw to trim large stems.
- If blades do become jammed, stop the motor, allow the blades to stop and remove the battery pack before attempting to remove the obstruction.
- If desired, you can use a string to help cut your hedge level. Decide how high you want the hedge. Then, stretch a piece of string along the hedge at this height. Trim the hedge just above this guide line of string. Trim the side of a hedge so that it will be slightly narrower at the top. More of the hedge will be exposed when shaped this way, and it will be more uniform.
- Always hold hedge trimmer with both hands when operating. Use a firm grip on the handles. The unit is used for cutting in either direction in a slow, sweeping action from side to side.
- Wear gloves when trimming thorny or prickly growth.
- When trimming new growth, use a wide sweeping action, so that the stems are fed directly into the cutting blade. Older growth will have thicker stems and will be trimmed easiest by using a sawing movement.

# MAINTENANCE

## **WARNING:**

To avoid serious personal injury, always remove the battery pack from the product before inspecting, cleaning or performing any maintenance.

## **WARNING:**

Always wear eye protection with side shields marked to comply with ANSI Z87.1. If operation is dusty, also wear a dust mask.

## **WARNING:**

When servicing, use only identical replacement parts. Use of any other parts may create a hazard or cause product damage.

## **NOTICE:**

Periodically inspect the entire product for damaged, missing, or loose parts such as screws, nuts, bolts, caps, etc. Tighten securely all fasteners and caps and do not operate this product until all missing or damaged parts are replaced. Please call 1-800-860-4050 or contact an authorized service center for assistance.

## **GENERAL MAINTENANCE**

Avoid using solvents when cleaning plastic parts. Most plastics are susceptible to damage from various types of commercial solvents and may be damaged by their use. Use clean cloths to remove dirt, dust, oil, grease, etc.

## **WARNING:**

Do not at any time let brake fluids, gasoline, petroleum-based products, penetrating oils, etc., come in contact with plastic parts. Chemicals can damage, weaken or destroy plastic which may result in serious personal injury.

## **TRANSPORTING AND STORING**

- Always place the scabbard on the blade before storing or transporting the hedge trimmer. Use caution to avoid the sharp teeth of the blade.
- Clean the hedge trimmer thoroughly before storing. Store the hedge trimmer indoors, in a dry place that is inaccessible to children. Keep away from corrosive agents such as garden chemicals and de-icing salts.

## **LUBRICATING THE BLADE**

See Figure 8.

## **WARNING:**

Always allow the blades of the hedge trimmer to come to a stop and remove the battery pack before lubricating. Failure to do so could result in accidental starting causing possible serious personal injury.

For easier operation and longer blade life, lubricate the hedge trimmer blade before and after each use.

- Remove the battery pack from the hedge trimmer.
- Lay the hedge trimmer on a flat surface. Apply light weight machine oil along the edge of the top blade.

**NOTE:** If you will be using the hedge trimmer for an extended time, it is advisable to oil the blade periodically.

- Stop the hedge trimmer.
- Remove the battery pack.
- Lubricate the hedge trimmer as described above.
- Reinstall the battery pack and resume use.

## **SHARPENING THE BLADE**

See Figure 9.

- Allow the blades of the hedge trimmer to come to a stop in the position shown. This will allow clearance for the file between the cutter teeth and the guard teeth.
- Remove the battery pack from the hedge trimmer.
- Clamp the blade assembly in a vise and file the exposed cutting surface of each blade tooth with an 8 in. smooth round file, 1/4 in. or 7/32 in. in diameter. Be sure to retain the original angle of the tooth when filing.
- Remove the hedge trimmer from the vise, replace the battery pack, and restart the hedge trimmer. Allow the blades of the hedge trimmer to come to a stop so that the unsharpened edges on the other side of the cutter blade teeth are exposed.
- Remove battery pack from hedge trimmer and repeat the sharpening procedure as described above.

## **CLEANING THE HEDGE TRIMMER**

- Remove the battery pack.
- Slide the scabbard over the blade.
- Clean dirt and debris from the body of the hedge trimmer, using a damp cloth with a mild detergent.

**NOTE:** Do not use any strong detergents on the plastic housing or the handle. They can be damaged by certain aromatic oils such as pine and lemon, and by solvents such as kerosene.

# MAINTENANCE

- Moisture can cause a shock hazard. Wipe off any moisture with a soft dry cloth.
- Use a small brush or the air discharge of a small vacuum cleaner brush to clear dust or debris from the air vents on the motor housing.

## **STORING THE HEDGE TRIMMER**

*See Figure 10.*

- Clean the hedge trimmer thoroughly before storing. Store the hedge trimmer in a dry, well-ventilated place that is inaccessible to children. Keep away from corrosive agents such as garden chemicals and de-icing salts.
- Always place the scabbard on the cutting blades before storing.

# WARRANTY

## LIMITED WARRANTY STATEMENT

Techtronic Industries North America, Inc., warrants to the original retail purchaser that this RYOBI® brand outdoor product is free from defect in material and workmanship and agrees to repair or replace, at Techtronic Industries North America, Inc.'s, discretion, any defective product free of charge within these time periods from the date of purchase.

- Three years if the product is used for personal, family or household use;
- 90 days, if used for any other purpose, such as commercial or rental.

This warranty extends to the original retail purchaser only and commences on the date of the original retail purchase.

Any part of this product found in the reasonable judgment of Techtronic Industries North America, Inc. to be defective in material or workmanship will be repaired or replaced without charge for parts and labor by an authorized service center for RYOBI® brand outdoor products (Authorized Ryobi Service Center).

The product, including any defective part, must be returned to an authorized Ryobi service center within the warranty period. The expense of delivering the product to the service center for warranty work and the expense of returning it back to the owner after repair or replacement will be paid by the owner. Techtronic Industries North America, Inc.'s, responsibility in respect to claims is limited to making the required repairs or replacements and no claim of breach of warranty shall be cause for cancellation or rescission of the contract of sale of any RYOBI® brand outdoor product. Proof of purchase will be required by the dealer to substantiate any warranty claim. All warranty work must be performed by an authorized service dealer.

This warranty is limited to ninety (90) days from the date of original retail purchase for any RYOBI® brand outdoor product that is used for rental or commercial purposes, or any other income-producing purpose.

This warranty does not cover any product that has been subject to misuse, neglect, negligence, or accident, or that has been operated in any way contrary to the operating instructions as specified in this operator's manual. This warranty does not apply to any damage to the product that is the result of improper maintenance or to any product that has been altered or modified. The warranty does not extend to repairs made necessary by normal wear or by the use of parts or accessories which are either incompatible with the RYOBI® brand outdoor product or adversely affect its operation, performance, or durability. In addition, this warranty does not cover:

- A. Tune-ups – Spark Plugs, Carburetor, Carburetor Adjustments, Ignition, Filters
- B. Wear items – Bump Knobs, Outer Spools, Cutting Lines, Inner Reels, Starter Pulleys, Starter Ropes, Drive Belts, Tines, Felt Washers, Hitch Pins, Mulching Blades, Blower Fans, Blower and Vacuum Tubes, Vacuum Bag and Straps, Guide Bars, Saw Chains

Techtronic Industries North America, Inc., reserves the right to change or improve the design of any RYOBI® brand outdoor product without assuming any obligation to modify any product previously manufactured.

ALL IMPLIED WARRANTIES ARE LIMITED IN DURATION TO THE STATED WARRANTY PERIOD. ACCORDINGLY, ANY SUCH IMPLIED WARRANTIES INCLUDING MERCHANTABILITY, FITNESS FOR A PARTICULAR PURPOSE, OR OTHERWISE, ARE DISCLAIMED IN THEIR ENTIRETY AFTER THE EXPIRATION OF THE APPROPRIATE THREE-YEAR, ONE-YEAR, OR NINETY-DAY WARRANTY PERIOD. TECHTRONIC INDUSTRIES NORTH AMERICA, INC.'S, OBLIGATION UNDER THIS WARRANTY IS STRICTLY AND EXCLUSIVELY LIMITED TO THE REPAIR OR REPLACEMENT OF DEFECTIVE PARTS AND TECHTRONIC INDUSTRIES NORTH AMERICA, INC., DOES NOT ASSUME OR AUTHORIZE ANYONE TO ASSUME FOR THEM ANY OTHER OBLIGATION. SOME STATES DO NOT ALLOW LIMITATIONS ON HOW LONG AN IMPLIED WARRANTY LASTS, SO THE ABOVE LIMITATION MAY NOT APPLY TO YOU. TECHTRONIC INDUSTRIES NORTH AMERICA, INC., ASSUMES NO RESPONSIBILITY FOR INCIDENTAL, CONSEQUENTIAL, OR OTHER DAMAGES INCLUDING, BUT NOT LIMITED TO, EXPENSE OF RETURNING THE PRODUCT TO AN AUTHORIZED RYOBI SERVICE CENTER AND EXPENSE OF DELIVERING IT BACK TO THE OWNER, MECHANIC'S TRAVEL TIME, TELEPHONE OR TELEGRAM CHARGES, RENTAL OF A LIKE PRODUCT DURING THE TIME WARRANTY SERVICE IS BEING PERFORMED, TRAVEL, LOSS OR DAMAGE TO PERSONAL PROPERTY, LOSS OF REVENUE, LOSS OF USE OF THE PRODUCT, LOSS OF TIME, OR INCONVENIENCE. SOME STATES DO NOT ALLOW THE EXCLUSION OR LIMITATION OF INCIDENTAL OR CONSEQUENTIAL DAMAGES, SO THE ABOVE LIMITATION OR EXCLUSION MAY NOT APPLY TO YOU.

This warranty gives you specific legal rights, and you may also have other rights which vary from state to state.

This warranty applies to all RYOBI® brand outdoor products manufactured by or for Techtronic Industries North America, Inc., and sold in the United States and Canada.

To locate your nearest Authorized Ryobi Service Center, dial 1-800-860-4050.

# AVERTISSEMENTS DE SÉCURITÉ GÉNÉRAUX AUX OUTILS ÉLECTRIQUES

## AVERTISSEMENT !

Lire tous les avertissements et toutes les instructions. Ne pas suivre l'ensemble des avertissements et des instructions peut entraîner une électrocution, un incendie ou des blessures graves.

Conserver les avertissements et les instructions à des fins de référence ultérieure. Le terme « outil motorisé », utilisé dans tous les avertissements ci-dessous désigne tout outil fonctionnant sur secteur (câblé) ou sur piles (sans fil).

## SÉCURITÉ DU LIEU DE TRAVAIL

- **Garder le lieu de travail propre et bien éclairé.** Les endroits encombrés ou sombres sont propices aux accidents.
- **Ne pas utiliser d'outils électriques dans des atmosphères explosives, par exemple en présence de liquides, gaz ou poussières inflammables.** Les outils électriques produisent des étincelles risquant d'enflammer les poussières ou vapeurs.
- **Garder les enfants et badauds à l'écart pendant l'utilisation d'un outil électrique.** Les distractions peuvent causer une perte de contrôle.

## SÉCURITÉ ÉLECTRIQUE

- **Les fiches des outils électriques doivent correspondre à la prise secteur utilisée. Ne jamais modifier la fiche, de quelque façon que ce soit. Ne jamais utiliser d'adaptateurs de fiche avec des outils mis à la terre.** Les fiches et prises non modifiées réduisent le risque de choc électrique.
- **Éviter tout contact du corps avec des surfaces mises à la terre, telles que tuyaux, radiateurs, cuisinières et réfrigérateurs.** Le risque de choc électrique est accru lorsque le corps est mis à la terre.
- **Ne pas exposer les outils électriques à l'eau ou l'humidité.** La pénétration d'eau dans ces outils accroît le risque de choc électrique.
- **Ne pas maltraiter le cordon d'alimentation. Ne jamais utiliser le cordon d'alimentation pour transporter l'outil et ne jamais débrancher ce dernier en tirant sur le cordon. Garder le cordon à l'écart de la chaleur, de l'huile, des objets tranchants et des pièces en mouvement.** Un cordon endommagé ou emmêlé accroît le risque de choc électrique.
- **Pour les travaux à l'extérieur, utiliser un cordon spécialement conçu à cet effet.** Utiliser un cordon conçu pour l'usage extérieur pour réduire les risques de choc électrique.
- **S'il est nécessaire d'utiliser l'outil électrique dans un endroit humide, employer un dispositif interrupteur de défaut à la terre (GFCI).** L'utilisation d'un GFCI réduit le risque de décharge électrique.

## SÉCURITÉ PERSONNELLE

- **Rester attentif, prêter attention au travail et faire preuve de bon sens lors de l'utilisation de tout outil électrique. Ne pas utiliser cet outil en état de fatigue ou sous l'influence de l'alcool, de drogues ou de médicaments.** Un moment d'inattention pendant l'utilisation d'un outil électrique peut entraîner des blessures graves.
- **Utiliser l'équipement de sécurité. Toujours porter une protection oculaire.** L'équipement de sécurité, tel qu'un masque filtrant, de chaussures de sécurité, d'un casque

ou d'une protection auditive, utilisé dans des conditions appropriées réduira le risque de blessures.

- **Éviter les démarrages accidentels. S'assurer que le commutateur est en position d'arrêt avant de brancher l'outil.** Porter un outil avec le doigt sur son commutateur ou brancher un outil dont le commutateur est en position de marche peut causer un accident.
- **Retirer les clés de réglage avant de mettre l'outil en marche.** Une clé laissée sur une pièce rotative de l'outil peut causer des blessures.
- **Ne pas travailler hors de portée. Toujours se tenir bien campé et en équilibre.** Ceci permettra de mieux contrôler l'outil en cas de situation imprévue.
- **Porter une tenue appropriée. Ne porter ni vêtements amples, ni bijoux. Garder les cheveux, les vêtements et les gants à l'écart des pièces en mouvement.** Les vêtements amples, bijoux et cheveux longs peuvent se prendre dans les pièces en mouvement.
- **Si les outils sont équipés de dispositifs de dépoussiérage, s'assurer qu'ils sont connectés et correctement utilisés.** L'usage de ces dispositifs de dépoussiérage peut réduire les dangers présentés par la poussière.
- **Ne porter ni vêtements amples, ni bijoux. Attacher ou couvrir les cheveux longs.** Les vêtements amples, bijoux et cheveux longs peuvent se prendre dans les ouïes d'aération.
- **Ne pas utiliser l'outil sur une échelle ou un support instable.** Une bonne tenue et un bon équilibre permettent de mieux contrôler l'outil en cas de situation imprévue.

## UTILISATION ET ENTRETIEN DES OUTILS ÉLECTRIQUES

- **Ne pas forcer l'outil. Utiliser l'outil approprié pour l'application.** Un outil approprié exécutera le travail mieux et de façon moins dangereuse s'il est utilisé dans les limites prévues.
- **Ne pas utiliser l'outil si le commutateur ne permet pas de le mettre en marche ou de l'arrêter.** Tout outil qui ne peut pas être contrôlé par son commutateur est dangereux et doit être réparé.
- **Débrancher l'outil et/ou retirer le bloc-piles avant d'effectuer des réglages, de changer d'accessoire ou de remiser l'outil.** Ces mesures de sécurité préventives réduisent les risques de démarrage accidentel de l'outil.
- **Ranger les outils motorisés hors de la portée des enfants et ne laisser personne n'étant pas familiarisé avec l'outil ou ces instructions utiliser l'outil.** Dans les mains de personnes n'ayant pas reçu des instructions adéquates, les outils sont dangereux.
- **Entretien des outils motorisés. Vérifier qu'aucune pièce mobile n'est mal alignée ou bloquée, qu'aucune pièce n'est brisée et s'assurer qu'aucun autre problème ne risque d'affecter le bon fonctionnement de l'outil. En cas de dommages faire réparer l'outil avant de l'utiliser de nouveau.** Beaucoup d'accidents sont causés par des outils mal entretenus.
- **Garder les outils bien affûtés et propres.** Des outils correctement entretenus et dont les tranchants sont bien affûtés risquent moins de se bloquer et sont plus faciles à contrôler.
- **Utiliser l'outil, les accessoires et embouts, etc. conformément à ces instructions pour les applications**

# AVERTISSEMENTS DE SÉCURITÉ GÉNÉRAUX AUX OUTILS ÉLECTRIQUES

pour lesquelles ils sont conçus, en tenant compte des conditions et du type de travail à exécuter. L'usage d'un outil motorisé pour des applications pour lesquelles il n'est pas conçu peut être dangereux.

## UTILISATION ET ENTRETIEN DE LA PILE

- **Ne recharger qu'avec l'appareil spécifié par le fabricant.** Un chargeur approprié pour un type de pile peut créer un risque d'incendie s'il est utilisé avec un autre type de pile.
- **Utiliser exclusivement le bloc-pile spécifiquement indiqué pour l'outil.** L'usage de tout autre bloc peut créer un risque de blessures et d'incendie.
- **Lorsque le bloc-piles n'est pas en usage, le garder à l'écart d'articles tels qu'attaches trombones, pièces de monnaie, clous, vis ou autres petits objets métalliques risquant d'établir le contact entre les deux bornes.** La mise en court-circuit des bornes de piles peut causer des étincelles, des brûlures ou un incendie.

- **En cas d'usage abusif, du liquide peut s'échapper des piles. Éviter tout contact avec ce liquide. En cas de contact accidentel, rincer immédiatement les parties atteintes avec de l'eau. En cas d'éclaboussure dans les yeux consulter un médecin.** Le liquide s'échappant des piles peut causer des irritations ou des brûlures.

## DÉPANNAGE




- **Les réparations doivent être confiées à un technicien qualifié, utilisant exclusivement des pièces identiques à celles d'origine.** Ceci assurera le maintien de la sécurité de l'outil.
- **Utiliser exclusivement des pièces identiques à celles d'origine pour les réparations. Se conformer aux instructions de la section Entretien de ce manuel.** L'usage de pièces non autorisées ou le non-respect des instructions peut présenter des risques de choc électrique ou de blessures.

# AVERTISSEMENTS DE SÉCURITÉ POUR LA TAILLE-HAIES










- **Éloigner toute partie du corps des lames. Ne retirer les matériaux coincés ou suspendus ou de les tenir lorsque les lames sont en mouvement. S'assurer que l'interrupteur est à la position OFF (éteint) lorsque l'on déloge les débris de matériaux. La lame termine son mouvement une fois l'outil éteint.** Un moment d'inattention pendant l'utilisation du taille-haie peut occasionner une blessure grave.
- **Transporter le taille-haie par la poignée et s'assurer que la lame est immobile.** Une manipulation adéquate du taille-haie réduira les risques de blessures dues aux lames.
- **Soutenir l'outil électrique par les prises isolées seulement, car les lames peuvent toucher un fil camouflé.** Le contact des lames avec un fil sous tension « électrifié » les pièces métalliques exposées de l'outil et peut électrocuter l'utilisateur.
- **DANGER — Éloigner les mains des lames.** Le contact avec les lames peut provoquer des blessures graves.
- **AVERTISSEMENT —** Seulement l'usage avec la poignée et le garde est assemblé se couvrir convenablement la taille-haies. L'usage de la taille-haies sans le garde ou la poignée correcte fournie peut avoir pour résultat sérieuse personnelle la blessure.
- **L'utilisation du taille-haie doit se faire avec les deux mains.** Le travail effectué avec une seule main peut provoquer la perte de contrôle de l'outil et provoquer des blessures graves.
- **Toujours porter une protection oculaire avec écrans latéraux certifiée conforme à la norme ANSI Z87.1 lors de l'utilisation de ce produit.** Le respect de cette règle réduira les risques de blessures graves.
- **Nettoyer la zone à couper avant chaque utilisation.** Retirer tous les objets comme les cordons, lumières, fils ou cordes lâches pouvant s'entremêler dans la lame de coupe pour éviter les risques de blessures graves.
- Avant de lancer le moteur, s'assurer que la lame n'est en contact avec aucun objet.
- Arrêter le moteur, retirer le bloc-piles et s'assurer que la lame est immobilisée avant de poser l'outil.
- Ne jamais couper de tiges de plus de 19 mm (3/4 po) de diamètre.
- Arrêter le moteur quand l'outil n'est pas en train de tailler ou lorsqu'il est transporté d'un endroit à un autre.
- Garder l'outil propre. Les débris et autres matériau peuvent se prendre dans les lames.
- Si le taille-haies est équipé d'un éjecteur de débris, ne pas se servir d'éjecteur comme d'une surface de préhension.
- Remiser l'outil dans un endroit sec, sous clé ou en hauteur, pour éviter des dommages ou utilisations non autorisées. Le garder hors de portée des enfants et des personnes n'étant pas familières avec son utilisation.
- Remettre le fourreau de lame en place lorsque l'outil n'est pas en usage.
- Ne jamais arroser ou asperger l'outil avec de l'eau ou tout autre liquide. Garder les poignées sèches, propres et exemptes de débris. Nettoyer après chaque utilisation. Voir les instructions de Remisage.
- Arrimer le produit avant de le transporter.
- Les outils fonctionnant sur piles n'ayant pas besoin d'être branchés sur une prise secteur, ils sont toujours en état de fonctionnement. Rester conscient des dangers lorsque l'outil n'est pas en usage.
- Retirer le bloc-piles avant tout réglage, nettoyage, remisage ou déblocage et lorsque l'outil n'est pas en usage.
- **Toujours installer le dispositif de protection des lames lors du transport ou du remisage du taille-haie.**
- Ne recharger qu'avec l'appareil indiqué. Pour utiliser l'appareil avec des piles au nickel-cadmium et au lithium-ion de 18 V, consulter le supplément de raccordement pour chargeur/outils/piles/appareil n° 987000-432.
- Conserver ces instructions. Les consulter fréquemment et les utiliser pour instruire les autres utilisateurs éventuels. Si cet produit est prêté, il doit être accompagné de ces instructions.

# SYMBOLES

Les termes de mise en garde suivants et leur signification ont pour but d'expliquer le degré de risques associé à l'utilisation de ce produit.

SYMBOLE	SIGNAL	SIGNIFICATION
	<b>DANGER :</b>	Indique une situation extrêmement dangereuse qui, si elle n'est pas évitée, aura pour conséquences des blessures graves ou mortelles.
	<b>AVERTISSEMENT :</b>	Indique une situation potentiellement dangereuse qui, si elle n'est pas évitée, pourrait entraîner des blessures graves ou mortelles.
	<b>ATTENTION :</b>	Indique une situation potentiellement dangereuse qui, si elle n'est pas évitée, pourrait entraîner des blessures légères ou de gravité modérée.
	<b>AVIS :</b>	(Sans symbole d'alerte de sécurité) Indique une information importante ne concernant pas un risque de blessure comme une situation pouvant occasionner des dommages matériels.



Certains des symboles ci-dessous peuvent être utilisés sur ce produit. Veiller à les étudier et à apprendre leur signification. Une interprétation correcte de ces symboles permettra d'utiliser l'outil plus efficacement et de réduire les risques.

SYMBOLE	NOM	DÉSIGNATION / EXPLICATION
	Alerte de sécurité	Indique un risque de blessure potentiel.
	Lire le manuel d'utilisation	Pour réduire les risques de blessures, l'utilisateur doit lire et veiller à bien comprendre le manuel d'utilisation avant d'utiliser ce produit.
	Protection oculaire	Toujours porter une protection oculaire avec écrans latéraux certifiée conforme à la norme ANSI Z87.1.
	Avertissement concernant l'humidité	Ne pas exposer à la pluie ou l'humidité.
	Symbole Mains à l'écart	Le non-respect de cette mise en garde peut entraîner des blessures graves.
	Ne laisser personne s'approcher	Ne jamais laisser quiconque se tenir à moins de 15 m (50 pi) de l'outil.
	Gants	Porter des gants antidérapants épais lors de la manipulation des lames.
	Tenir la scie à deux mains	Tenir la taille-haies à deux mains et l'utiliser correctement.
	Pièces en mouvement	Garder les mains à l'écart des pièces en mouvement.



# SYMBOLES

Certains des symboles ci-dessous peuvent être utilisés sur ce produit. Veiller à les étudier et à apprendre leur signification. Une interprétation correcte de ces symboles permettra d'utiliser l'outil plus efficacement et de réduire les risques.

SYMBOLE	NOM	DÉSIGNATION / EXPLICATION
	Choc électrique	Ne pas utiliser l'équipement dans des conditions sèches et ne pas respecter des méthodes sans danger peut entraîner un choc électrique.
	Symboles de recyclage	Ce produit utilise les piles de nickel-cadmium (Ni-Cd) ou lithium-ion (Li-ion). Les réglementations locales ou gouvernementales peuvent interdire de jeter les piles dans les ordures ménagères. Consulter les autorités locales compétentes pour les options de recyclage et/ou l'élimination.
V	Volts	Tension
hrs	Hours	Time
≡	Courant continu	Type ou caractéristique du courant
$n_0$	Vitesse à vide	Vitesse de rotation à vide
.../min	Par minute	Tours, coups, vitesse périphérique, orbites, etc., par minute

# CARACTÉRISTIQUES

## FICHE TECHNIQUE

Moteur ..... 18 V c.c.  
Longueur de la lame.....559 mm (22 po)

Capacité de coupe ..... 19 mm (3/4 po)  
Vitesse de coupe..... 1 500 coupes par minute

## VEILLER À BIEN CONNAÎTRE LE TAILLE-HAIES

Voir la figure 1.

L'utilisation sûre de ce produit exige une compréhension des renseignements figurant sur l'outil et contenus dans le manuel d'utilisation, ainsi qu'une bonne connaissance du projet entrepris. Avant d'utiliser ce produit, se familiariser avec toutes ses caractéristiques et règles de sécurité.

## DÉFLECTEUR DE DÉBRIS

Une fois installé, le déflecteur de débris facilite le nettoyage des débris de coupe.

## GARDE

La garde aide à protéger les mains de l'opérateur des débris projetés.

## SUSPENSION DE TROU CLÉ

L'attache intégrée vous permet d'entreposer votre élément simplement et en toute sécurité.

## BOUTON DE VERROUILLAGE

Le bouton de verrouillage empêche les démarrages accidentels de la taille-haies.

## POIGNÉE ARRIÈRE PIVOTANTE

Il est possible de tourner la poignée arrière d'un côté ou de l'autre et de la verrouiller à un angle de 45 ° ou 90 ° pour faciliter la coupe. Cette caractéristique est pratique pour tailler à la verticale ou en bordure des arbustes.

## FOURREAU

Le fourreau empêche que l'opérateur entre en contact avec les lames tranchantes lorsque l'outil n'est pas en usage. Il évite également que les lames soient ébréchées ou endommagées pendant le remisage.

# ASSEMBLAGE

## DÉBALLAGE

Ce produit a été expédié complètement assemblé.

- Avec précaution, sortir le produit et les accessoires de la boîte. S'assurer que toutes les pièces figurant sur la liste de contrôle sont incluses.

### AVERTISSEMENT :

Ne pas utiliser le produit s'il n'est pas complètement assemblé ou si des pièces semblent manquantes ou endommagées. Le fait d'utiliser un produit assemblé de façon inadéquate ou incomplète peut entraîner des blessures graves.

- Examiner soigneusement le produit pour s'assurer que rien n'a été brisé ou endommagé en cours de transport.
- Ne pas jeter les matériaux d'emballage avant d'avoir soigneusement examiné le produit et avoir vérifié qu'il fonctionne correctement.
- Si des pièces sont manquantes ou endommagées, appeler le 1-800-860-4050.

## LISTE DE CONTRÔLE

Taille-Haies

Déflecteur de débris

## LISTE DE CONTRÔLE *continu*

Fourreau

Manuel d'utilisation

### AVERTISSEMENT :

Si des pièces manquent ou sont endommagées, ne pas utiliser cet produit avant qu'elles aient été installées. Usar este producto con partes dañadas o faltantes puede causar lesiones serias al operador.

### AVERTISSEMENT :

Ne pas essayer de modifier ce produit ou de créer des accessoires non recommandés pour ce produit. De telles altérations ou modifications sont considérées comme un usage abusif et peuvent créer des conditions dangereuses, risquant d'entraîner des blessures graves.

### AVERTISSEMENT :

Pour empêcher un démarrage accidentel pouvant entraîner des blessures graves, toujours déconnecter le bloc-piles du produit au moment d'assembler les pièces.

# UTILISATION

## **AVERTISSEMENT :**

Ne pas laisser la familiarité avec ce produit faire oublier la prudence. Ne pas oublier qu'une fraction de seconde d'inattention peut entraîner des blessures graves.

## **AVERTISSEMENT :**

Toujours porter une protection oculaire avec écrans latéraux certifiée conforme à la norme ANSI Z87.1. Si cette précaution n'est pas prise, des objets peuvent être projetés dans les yeux et causer des lésions graves.

## **AVERTISSEMENT :**

Ne pas utiliser d'outils ou accessoires non recommandés par le fabricant pour ce produit. L'utilisation de pièces et accessoires non recommandés peut entraîner des blessures graves.

## **AVIS :**

Avant chaque utilisation, inspecter au complet le produit afin de s'assurer qu'aucune pièce (vis, écrous, boulons, chapeaux, etc. n'est endommagée, manquante ou desserrée. Serrer solidement toutes les pièces de fixation et les chapeaux et ne pas utiliser le produit tant que toutes les pièces manquantes ou endommagées n'ont pas été remplacées. Veuillez composer le 1-800-860-4050 ou communiquer avec un centre de réparations agréé pour obtenir de l'aide.

## **APPLICATIONS**

Ce produit peut être utilisé pour les application ci-dessous :

- Taille et mise en forme des haies et buissons

Ce produit est compatible avec les piles 18 V au lithium-ion et au nickel cadmium de Ryobi One+.

Si l'outil s'arrête en cours d'utilisation, relâcher la gâchette pour le réenclencher et reprendre l'opération. Si l'outil ne fonctionne toujours pas, cela signifie qu'il est nécessaire de recharger la pile.

## **INSTALLATION DU DÉFLECTEUR DE DÉBRIS**

*Voir la figure 2.*

**NOTE :** Toujours porter des gants antidérapants épais lors de l'installation ou la désinstallation du déflecteur de débris.

- Retirer le bloc-piles.
- Déposer le taille-haies sur une surface plane et solide.
- Aligner le bord incliné du déflecteur de débris avec les rainures du guide.

- Glisser le déflecteur sur toute la longueur du guide jusqu'à ce que le bord incliné du déflecteur s'appuie contre la protection.
- Insérer le retenue de déflecteur à la fin de barre de guide.

## **AVERTISSEMENT :**

Ne jamais se servir du déflecteur de débris comme d'une poignée ou tenter de tenir ou guider le taille-haies en agrippant le déflecteur. Toujours garder les deux mains. Le fait d'utiliser le taille-haies de façon inappropriée peut entraîner de graves blessures.

## **RETRAIT / INSTALLATION DU BLOC-PILES**

*Voir la figure 3.*

## **AVERTISSEMENT :**

Toujours retirer la pile de l'outil au moment d'assembler des pièces, d'effectuer des réglages et de procéder au nettoyage, ou lorsque l'outil n'est pas utilisé. Le fait de retirer la pile permet d'empêcher un démarrage accidentel pouvant entraîner des blessures graves.

### **Installation :**

- Insérer les piles dans le produit comme il est indiqué.
- S'assurer que ses deux loquets latéraux s'engagent correctement et vérifier que le bloc-piles est solidement assujéti avant d'utiliser l'outil.

### **AVIS :**

Lors de l'installation du bloc-piles, veiller à ce que sa nervure s'aligne sur le fond de l'outil et se verrouille en place. Une insertion incorrecte du bloc-piles peut causer des dommages aux composants internes.

### **Retrait :**

- Appuyer sur les loquets se trouvant sur les côtés du bloc-piles pour le séparer du taille-haies.

## **AVERTISSEMENT :**

Les outils à piles sont toujours en état de fonctionnement. Il est donc nécessaire de toujours verrouiller la gâchette et de garder ensuite les mains à l'écart du bouton de verrouillage lorsque l'outil n'est pas utilisé. Retirer la pile au moment de transporter le taille-haies afin d'éviter un démarrage accidentel qui pourrait entraîner des blessures graves.

# UTILISATION

## DÉMARRAGE ET ARRÊT DU TAILLE-HAIES

Voir la figure 4.

### Pour démarrer :

- Retirer le fourreau.
- Maintenir le bouton de verrouillage enfoncé.
- Appuyer sur la gâchette.
- Relâcher le bouton de verrouillage. Maintenir la gâchette enfoncée pour le travail en continu.

### Pour arrancer :

- Pour arrêter le taille-haies, relâcher la gâchette.
- Lorsque la gâchette est relâchée, le bouton de verrouillage se remet automatiquement en position verrouillée.

## POIGNÉE PIVOTANTE

Voir la figure 5.

Il est possible de tourner la poignée à 45 ° ou 90 °, vers la droite ou vers la gauche.

### Pour tourner la poignée :

- Retirer le bloc-piles.
- Enfoncer le bouton de la poignée pivotante.
- Tourner la poignée vers la droite ou la gauche.
- Relâcher le bouton de la poignée pivotante.
- Tourner la poignée jusqu'à ce qu'elle se verrouille en place à la position de 45 ° ou 90 °.

**NOTE :** Le taille bordures ne fonctionne que s'il est verrouillé dans l'une de ces positions. La poignée pivotante est verrouillée lorsque son bouton est inséré bien en place et que la poignée ne bouge plus d'un côté ou de l'autre.

## TENUE DU TAILLE-HAIES

Voir la figure 6.

L'outil comporte une poignée avant et une poignée arrière. Tenir l'outil par les deux poignées, la lame étant dirigée vers l'avant.

### AVERTISSEMENT :

Toujours garder les deux mains sur les poignées du taille-haies. Ne jamais tenir les buissons d'une main et utiliser le taille-haies de l'autre. Le fait d'utiliser le taille-haies de façon inappropriée peut entraîner de graves blessures.

## CONSEILS DE COUPE

Voir la figure 7.

### DANGER :

Ne jamais effectuer de coupes près de cordons ou de fils électriques. Si la lame se prend dans un cordon ou une ligne électrique, **NE PAS LA TOUCHER ! ELLE PEUT ÊTRE SOUS TENSION ET DONC, EXTRÊMEMENT DANGEREUSE.** Continuer de tenir le taille-haies par la poignée arrière isolée ou le poser à l'écart en prenant les précautions nécessaires. Mettre le circuit électrique de la ligne électrique hors tension ou débrancher le cordon endommagé avant d'essayer de débloquer la lame. Le contact avec la lame, d'autres parties conductrices du taillehaies, ou des cordons ou des fils électriques sous tension entraînerait des blessures graves ou mortelles.

### AVERTISSEMENT :

Déblayer la zone de travail avant chaque utilisation. Retirer tous les objets tels que les cordons, lumières, fil, ou câbles ont détaché qui peuvent s'emmêler dans la lame tranchante et créer un risque de blessure grave.

- Avant de mettre le taille-haies en marche, le tenir par les deux poignées, la lame dirigée vers l'avant. Toujours utiliser le taille-haies correctement.
- Ne pas forcer le taille-haies au travers de buissons épais et denses. Ceci peut causer un coincement des lames et un ralentissement. Si les lames ralentissent, réduire la vitesse de travail.
- Ne pas essayer de couper les tiges ou branchettes de plus de 19 mm (3/4 po) d'épaisseur ou celles de toute évidence trop grosses pour la denture de la lame. Utiliser une scie à main sans moteur ou une scie d'élagage pour la coupe de grosses tiges.
- Si les lames se bloquent, arrêter le moteur, laisser les lames s'arrêter et retirer le bloc-piles avant d'essayer de débloquer les lames.
- Si désiré, vous pouvez utiliser une ficelle pour vous aider à couper la haie à niveau constant. Choisir la hauteur de haie souhaitée. Ensuite, tendre une ficelle le long de la haie à cette hauteur. Tailler la haie juste au-dessus de la ficelle. Tailler le côté d'une haie pour qu'elle soit légèrement plus étroite en haut. Une plus grande partie de la haie sera exposée si elle est taillée de cette manière, et elle sera plus uniforme.
- Pendant le travail, toujours tenir le taille-haies des deux mains. Tenir fermement les deux poignées. L'outil peut être utilisé dans les deux directions avec un large mouvement de balayage latéral.
- Porter des gants lors de la taille de buissons épineux.
- Lors de la taille des nouvelles pousses, tailler avec un large mouvement de balayage, pour que les tiges s'engagent directement dans la denture de la lame. Les anciennes pousses présentent des tiges plus épaisses et seront plus facilement taillées par un mouvement de scie.

# ENTRETIEN

## **AVERTISSEMENT :**

Pour empêcher un démarrage accidentel pouvant entraîner des blessures graves, toujours retirer le bloc-piles de l'outil avant tout nettoyage ou entretien.

## **AVERTISSEMENT :**

Toujours porter une protection oculaire avec écrans latéraux certifiée conforme à la norme ANSI Z87.1. Si une opération dégage de la poussière, porter également un masque anti-poussière.

## **AVERTISSEMENT :**

Utiliser exclusivement des pièces Ryobi d'origine pour les réparations. L'usage de toute autre pièce pourrait créer une situation dangereuse ou endommager l'outil.

## **AVIS :**

Inspecter périodiquement au complet le produit afin de s'assurer qu'aucune pièce (vis, écrous, boulons, chapeaux, etc.) n'est endommagée, manquante ou desserrée. Serrer solidement toutes les pièces de fixation et les chapeaux et ne pas utiliser le produit tant que toutes les pièces manquantes ou endommagées n'ont pas été remplacées. Pour obtenir de l'aide, veuillez communiquer avec le Service à la clientèle ou un centre de réparations agréé.

## **ENTRETIEN GÉNÉRAL**

Éviter d'utiliser des solvants pour le nettoyage des pièces en plastique. La plupart des matières plastiques peuvent être endommagées par divers types de solvants du commerce. Utiliser un chiffon propre pour éliminer la saleté, la poussière, l'huile, la graisse, etc.

## **AVERTISSEMENT :**

Ne jamais laisser de liquides tels que le fluide de freins, l'essence, les produits à base de pétrole, les huiles pénétrantes, etc., entrer en contact avec les pièces en plastique. Les produits chimiques peuvent endommager, affaiblir ou détruire le plastique, ce qui peut entraîner des blessures graves.

## **TRANSPORT ET REMISAGE**

- Toujours placer le fourreau sur la lame lors du transport ou du remisage du taille-haies. Veiller à ne pas se couper sur les dents de la lame.
- Nettoyer soigneusement le taille-haies avant de le remiser. Remiser le taille-haies dans un endroit sec, inaccessible aux enfants. Le tenir à l'écart de produits corrosifs, tels que les produits chimiques de jardinage et le sel de dégivrage.

## **LUBRIFICATION DES LAMES**

*Voir la figure 8.*

## **AVERTISSEMENT :**

Laisser les lames du taille-haies s'arrêter et retirer le bloc-piles avant lubrification l'outil. Le non respect de cet avertissement peut causer un démarrage accidentel, entraînant des blessures graves.

Pour faciliter l'utilisation et prolonger la vie utile des lames, le lubrifier avant et après chaque utilisation.

- Retirer le bloc-piles du taille-haies.
- Poser le taille-haies sur une surface plane. Appliquer de l'huile de machine légère le long du bord de la lame supérieure.

**NOTE :** Si le taille-haies doit être utilisé pendant une période prolongée, il est conseillé de lubrifier la lame pendant cette période.

- Arrêter le taille-haies.
- Retirer le bloc-piles.
- Lubrifier le taille-haies comme décrit ci-dessus.
- Réinstaller le bloc-piles et reprendre le travail.

## AFFÛTAGE DE LA LAME

Voir la figure 9.

- Laisser les lames du taille-haies s'arrêter dans la position illustrée. Ceci laisse un passage pour la lime entre les dents de coupe et les dents de protection
- Retirer le bloc-piles du taille-haies.
- Serrer l'ensemble de lames dans un étau et limer la surface de coupe exposée de chaque dent de lame avec une lime ronde fine de 203 mm (8 po) et de 6 ou 5 mm (1/4 ou 7/32 po), de diamètre. S'assurer de conserver l'angle d'origine des dents pendant le limage.
- Retirer le taille-haies de l'étau, remettre le bloc-piles en place et remettre l'outil en marche. Laisser les lames du taille-haies s'arrêter de manière à ce que les tranchants non affûtés des dents soient exposés.
- Retirer le bloc-piles du taille-haies et reprendre les procédures d'affûtage ci-dessus.

## NETTOYAGE DU TAILLE-HAIES

- Retirer le bloc-piles.
- Glisser le fourreau.

- Nettoyer la saleté et les débris du corps du taille-haies à l'aide d'un chiffon humide et d'un détergent doux.

**NOTE :** Ne pas utiliser de détergents puissants sur le boîtier en plastique ou la poignée. Ces pièces peuvent être endommagées par certaines huiles aromatiques telles que les huiles de pin et de citron et les solvants tels que le kérosène.

- L'humidité peut créer un risque de choc électrique. Essuyer toute humidité sur l'outil avec un chiffon doux sec.
- Utiliser une petite brosse ou la sortie d'air d'un petit aspirateur pour chasser la saleté et les débris des aîoës d'aération du boîtier du moteur.

## REMISAGE DU TAILLE-HAIES

Voir la figure 10.

- Nettoyer soigneusement le taille-haies avant de le remiser. Ranger le taille-haies dans un endroit sec, bien aéré et inaccessible aux enfants. Le tenir à l'écart de produits corrosifs, tels que les produits chimiques de jardinage et le sel de dégivrage.
- Toujours placer le fourreau lors du transport ou du remisage.

# GARANTIE

## ÉNONCÉ DE LA GARANTIE LIMITÉE

Techtronic Industries North America, Inc., garantit à l'acheteur original que ce produit RYOBI® est exempt de tous vices de matériaux ou de fabrication et s'engage à réparer ou remplacer gratuitement, à son choix, tout produit s'avérant défectueux au cours des périodes indiquées ci-dessous, à compter de la date d'achat.

- Trois ans sur les produits utilisés par des particuliers ;
- 90 jours sur les produits utilisés à toutes autres fins, telles que les travaux commerciaux et la location.

Cette garantie n'est offerte qu'à l'acheteur original et entre en vigueur à la date de l'achat original.

Toute pièce de ce produit jugée, après évaluation raisonnable par Techtronic Industries North America, Inc., comme présentant des vices de matériaux ou de fabrication, sera réparée ou remplacée, sans facturation pour pièces ou main d'oeuvre par un centre de réparations agréé pour produits d'extérieur de marque RYOBI® (centre de réparations Ryobi agréé).

Le produit, y compris toutes les pièces défectueuses devront être retournés à un centre de réparations Ryobi agréé, avant expiration de la période de garantie. Les frais d'expédition au centre de réparations pour les travaux sous garantie et de retour au propriétaire du produit seront assumés par le propriétaire. En ce qui concerne les réclamations en garantie, la responsabilité Techtronic Industries North America, Inc., se limitera à la réparation ou au remplacement des produits défectueux et aucune revendication de rupture de garantie ne pourra causer l'annulation ou la résiliation du contrat de vente d'un produit d'extérieur RYOBI® quel qu'il soit. Une preuve d'achat sera exigée par le centre de réparation, afin de valider toute réclamation au titre de la garantie. Toutes les réparations sous garantie devront être effectuées par un centre de réparations agréé.

La garantie sur tout produit d'extérieur RYOBI® utilisé pour la location, des travaux commerciaux ou tout autre usage lucratif, sera limitée à quatre-vingt-dix (90) jours, à compter de la date d'achat au détail original.

Cette garantie ne couvre pas les produits ayant fait l'objet d'un usage abusif ou négligent, d'un manque d'entretien, ayant été impliqués dans un accident ou employé de façon contraire aux instructions du manuel d'utilisation. Cette garantie ne couvre ni les dommages aux produits résultant d'un manque d'entretien, ni les produits qui ont été altérés ou modifiés. La garantie exclut les réparations rendues nécessaires par l'usure normale ou l'utilisation de pièces et accessoires incompatibles avec le produit d'extérieur RYOBI® ou nuisibles à son bon fonctionnement, ses performances ou sa durabilité. En outre, cette garanti exclut :

A. Les réglages – Bougies, carburateur, réglages du carburateur, allumage, filtres

B. Les articles consommables – Boutons d'avance par choc, bobines externes, lignes de coupe, bobines internes, poulies et cordons de lanceur, courroies d'entraînement, dents, rondelles en feutre, axes d'attelage, lames de paillage, ventilateur de soufflante, tubes de soufflage et d'aspiration, sacs à débris, guides, chaînes de scie

Techtronic Industries North America, Inc., se réserve le droit d'apporter des modifications ou améliorations à tout produit extérieur RYOBI®, sans obligation de modifier les produits fabriqués antérieurement.

LA DURÉE DE TOUTES LES GARANTIES IMPLICITES NE SAURAIT EN AUCUN CAS EXCÉDER LA PÉRIODE DE GARANTIE DÉCLARÉE. PAR CONSÉQUENT, TOUTES LES GARANTIES IMPLICITES, Y COMPRIS LES GARANTIES DE VALEUR MARCHANDE OU D'ADÉQUATION À UN USAGE PARTICULIER OU AUTRES SERONT INVALIDÉES À L'EXPIRATION DE LA PÉRIODE DE GARANTIE APPROPRIÉE DE TROIS ANS, UN AN OU QUATRE-VINGT-DIX JOURS. LES OBLIGATIONS DE TECHTRONIC INDUSTRIES NORTH AMERICA, INC., DANS LE CADRE DE CETTE GARANTIE SE LIMITENT EXCLUSIVEMENT À LA RÉPARATION OU AU REMPLACEMENT DES PIÈCES DÉFECTUEUSES ET TECHTRONIC INDUSTRIES NORTH AMERICA, INC. N'ASSUME OU N'AUTORISE QUICONQUE À ASSUMER QUELQUE AUTRE OBLIGATION QUE CE SOIT. CERTAINS ÉTATS ET PROVINCES NE PERMETTANT PAS DE LIMITATION DE DURÉE DES GARANTIES IMPLICITES, LES RESTRICTIONS CI-DESSOUS PEUVENT NE PAS ÊTRE APPLICABLES. TECHTRONIC INDUSTRIES NORTH AMERICA, INC., DÉCLINE TOUTE RESPONSABILITÉ EN CE QUI CONCERNE LES DOMMAGES DIRECTS, INDIRECTS OU AUTRES, Y COMPRIS, MAIS SANS S'Y LIMITER, LES FRAIS DE RETOUR DE PRODUITS À UN CENTRE DE RÉPARATION RYOBI AGRÉÉ ET DE RENVOI AU PROPRIÉTAIRE, DE DÉPLACEMENT D'UN TECHNICIEN, DE TÉLÉPHONE OU TÉLÉGRAMME, DE LOCATION D'UN PRODUIT SIMILAIRE PENDANT LA DURÉE DES RÉPARATIONS SOUS GARANTIE, DE DÉPLACEMENT, DE PERTES OU DOMMAGES À DES BIENS PERSONNELS, DE MANQUE À GAGNER, DE PERTE D'USAGE DU PRODUIT, DE PERTE DE TEMPS OU DE DÉRANGEMENT. CERTAINS ÉTATS ET PROVINCES NE PERMETTANT L'EXCLUSION OU LA LIMITATION DES DOMMAGES DIRECTS OU INDIRECTS, LES RESTRICTIONS CI-DESSOUS PEUVENT NE PAS ÊTRE APPLICABLES.

Cette garantie donne au consommateur des droits spécifiques, et celui-ci peut bénéficier d'autres droits, qui varient selon les états ou provinces.

Cette garantie couvre tous les produits d'extérieur RYOBI® fabriqués par Techtronic Industries North America, Inc., vendus aux États-Unis et au Canada.

Pour obtenir l'adresse du centre de réparations Ryobi agréé le plus proche, appeler le 1-800-860-4050.

# ADVERTENCIAS DE SEGURIDAD GENERALES PARA EL USO DE HERRAMIENTAS ELÉCTRICAS

## ¡ADVERTENCIA!

Lea todas las advertencias de seguridad y las instrucciones. El incumplimiento de las advertencias e instrucciones puede ocasionar descarga eléctrica, fuego o lesiones graves.

Guarde todas las advertencias e instrucciones para futuras consultas. El término “herramienta eléctrica” empleado en todos los avisos de advertencia enumerados abajo se refiere a las herramientas eléctricas de cordón (alámbricas) y de baterías (inalámbricas).

## SEGURIDAD EN EL ÁREA DE TRABAJO

- **Mantenga limpia y bien iluminada el área de trabajo.** Un área de trabajo mal despejada o mal iluminada propicia accidentes.
- **No utilice herramientas motorizadas en atmósferas explosivas, como las existentes alrededor de líquidos, gases y polvos inflamables.** Las herramientas eléctricas generan chispas que pueden encender el polvo y los vapores inflamables.
- **Mantenga alejados a los niños y circunstantes al maniobrar una herramienta eléctrica.** Toda distracción puede causar pérdida del control de la herramienta.

## SEGURIDAD ELÉCTRICA

- **Las clavijas de las herramientas eléctricas deben corresponder a las tomas de corriente donde se conectan. Nunca modifique la clavija de ninguna forma. No utilice ninguna clavija adaptadora con herramientas eléctricas dotadas de contacto a tierra.** Conectando las clavijas originales en las tomas de corriente donde corresponden se disminuye el riesgo de una descarga eléctrica.
- **Evite el contacto del cuerpo con las superficies de objetos que estén haciendo tierra o estén conectados a ésta, como tuberías, radiadores, estufas y refrigeradores.** Existe un mayor riesgo de descargas eléctricas si el cuerpo está haciendo tierra.
- **No exponga las herramientas eléctricas a la lluvia ni a condiciones de humedad.** La introducción de agua en una herramienta eléctrica aumenta el riesgo de descargas eléctricas.
- **No maltrate el cordón eléctrico. Nunca utilice el cordón para trasladar, desconectar o tirar de la herramienta eléctrica. Mantenga el cordón alejado del calor, del aceite, de bordes afilados y de piezas móviles.** Los cordones eléctricos dañados o enredados aumentan el riesgo de descargas eléctricas.
- **Al utilizar una herramienta eléctrica a la intemperie, use un cordón de extensión apropiado para el exterior.** Usando un cordón adecuado para el exterior se disminuye el riesgo de descargas eléctricas.
- **Si debe operar una herramienta en lugares húmedos, use un suministro protegido por un interruptor de circuito con pérdida a tierra (GFCI).** El uso de un GFCI reduce el riesgo de descargas eléctricas.

## SEGURIDAD PERSONAL

- **Permanezca alerta, preste atención a lo que esté haciendo y aplique el sentido común al utilizar herramientas eléctricas. No utilice la herramienta eléctrica si está cansado o se encuentra bajo los efectos de alguna droga, alcohol o medicamento.** Un momento de inatención al utilizar una herramienta eléctrica puede causar lesiones corporales serias.
- **Use equipo de seguridad. Siempre póngase protección ocular.** El uso de equipo de seguridad como mascarilla para el polvo, calzado de seguridad, casco y protección para los oídos en las circunstancias donde corresponda disminuye el riesgo de lesiones.

- **Evite un arranque accidental de la unidad. Asegúrese de que el interruptor esté en la posición de apagado antes de conectar la herramienta.** Portar las herramientas eléctricas con el dedo en el interruptor, o conectarlas con el interruptor puesto, propicia accidentes.
- **Retire toda llave o herramienta de ajuste antes de encender la herramienta eléctrica.** Toda llave o herramienta de ajuste dejada en una pieza giratoria de la herramienta eléctrica puede causar lesiones.
- **No estire el cuerpo para alcanzar mayor distancia. Mantenga una postura firme y buen equilibrio en todo momento.** De esta manera se logra un mejor control de la herramienta eléctrica en situaciones inesperadas.
- **Vístase adecuadamente. No vista ropas holgadas ni joyas. Mantenga el cabello, la ropa y los guantes alejados de las piezas móviles.** Las ropas holgadas, las joyas y el cabello largo pueden engancharse en las piezas móviles.
- **Si se suministran dispositivos para conectar mangueras de extracción y captación de polvo, asegúrese de que éstas estén bien conectadas y se usen correctamente.** La utilización de captador de polvo puede disminuir los peligros relacionados con el polvo.
- **No vista ropas holgadas ni joyas. Recójase el cabello si está largo.** Las ropas holgadas y las joyas, así como el cabello largo, pueden resultar atraídas hacia el interior de las aberturas de ventilación.
- **No utilice la unidad al estar en una escalera o en un soporte inestable.** Una postura estable sobre una superficie sólida permite un mejor control de la herramienta eléctrica en situaciones inesperadas.

## EMPLEO Y CUIDADO DE LA HERRAMIENTA ELÉCTRICA

- **No fuerce la herramienta eléctrica. Utilice la herramienta eléctrica adecuada para cada trabajo.** La herramienta eléctrica adecuada efectúa mejor y de manera más segura el trabajo, si además se maneja a la velocidad para la que está diseñada.
- **No utilice la herramienta si el interruptor no enciende o no apaga.** Cualquier herramienta eléctrica que no pueda controlarse con el interruptor es peligrosa y debe repararse.
- **Desconecte la clavija del suministro de corriente o retire el paquete de baterías de la herramienta eléctrica, según sea el caso, antes de efectuarle cualquier ajuste, cambiarle accesorios o guardarla.** Tales medidas preventivas de seguridad reducen el riesgo de poner en marcha accidentalmente la herramienta.
- **Guarde las herramientas eléctricas desocupadas fuera del alcance de los niños y no permita que las utilicen personas no familiarizadas con las mismas o con estas instrucciones.** Las herramientas eléctricas son peligrosas en manos de personas no capacitadas en el uso de las mismas.
- **Preste servicio a las herramientas eléctricas. Revise para ver si hay desalineación o atoramiento de piezas móviles, ruptura de piezas o cualquier otra condición que pueda afectar el funcionamiento de la herramienta. Si está dañada la herramienta eléctrica, permita que la reparen antes de usarla.** Numerosos accidentes son causados por herramientas eléctricas mal cuidadas.
- **Mantenga las herramientas de corte afiladas y limpias.** Las herramientas de corte bien cuidadas y con bordes bien afilados, tienen menos probabilidad de atascarse en la pieza de trabajo y son más fáciles de controlar.



# ADVERTENCIAS DE SEGURIDAD GENERALES PARA EL USO DE HERRAMIENTAS ELÉCTRICAS

- **Utilice la herramienta eléctrica, los accesorios y brocas, hojas y cuchillas de corte, ruedas de esmeril, etc. de conformidad con estas instrucciones, tomando en cuenta las condiciones de trabajo y la tarea por realizar.** Si se utiliza la herramienta eléctrica para operaciones diferentes de las indicadas podría originar una situación peligrosa.

## EMPLEO Y CUIDADO DE LA HERRAMIENTA DE BATERÍAS

- **Sólo cargue el paquete de baterías con el cargador especificado por el fabricante.** Un cargador adecuado para un tipo paquete de baterías puede significar un riesgo de incendio si se emplea con un paquete de baterías diferente.
- **Utilice las herramientas eléctricas sólo con los paquetes de baterías específicamente indicados.** El empleo de paquetes de baterías diferentes puede presentar un riesgo de incendio.
- **Cuando no esté utilizándose el paquete de baterías, manténgalo lejos de otros objetos metálicos, como clips, monedas, llaves, clavos, tornillos o otros objetos metálicos, pequeños que puedan establecer conexión entre ambas**

**terminales.** Establecer una conexión directa entre las dos terminales de las baterías puede causar quemaduras o incendios.

- **Si se maltratan las baterías, puede derramarse líquido de las mismas; evite todo contacto con éste. En caso de contacto, lávese con agua. Si el líquido llega a tocar los ojos, además busque atención médica.** El líquido de las baterías puede causar irritación y quemaduras.

## SERVICIO

- **Permita que un técnico de reparación calificado preste servicio a la herramienta eléctrica, y sólo con piezas de repuesto idénticas.** De esta manera se mantiene la seguridad de la herramienta eléctrica.
- **Al dar servicio a una herramienta eléctrica, sólo utilice piezas de repuesto idénticas. Siga las instrucciones señaladas en la sección Mantenimiento de este manual.** El empleo de piezas no autorizadas o el incumplimiento de las instrucciones de mantenimiento puede significar un riesgo de descarga eléctrica o de lesiones.




# ADVERTENCIAS DE SEGURIDAD DE LA PODADORA DE SETOS

- **Mantenga todas las partes del cuerpo alejadas de la hoja de corte. No retire material cortado ni sujete material por cortar mientras estén moviéndose las hojas. Asegúrese de apagar la máquina cuando retire el material atascado. La hoja de corte continúa girando por inercia después de apagarse la unidad.** Un momento de inatención al utilizar una podadora de setos puede causar lesiones corporales serias.
- **Transporte la podadora de setos del mango con la hoja de corte apagada.** Un manejo apropiado de la podadora de setos reduce la posibilidad de que haya lesiones producidas por las hojas de corte.
- **Coloque la máquina encendida en superficies firmes y aisladas únicamente, porque la hoja de corte puede entrar en contacto con cables ocultos.** Las hojas de corte que entren en contacto con un cable "con carga" puede hacer que la electricidad se transmita a las piezas metálicas expuestas de la herramienta eléctrica y puede provocar una descarga eléctrica en el operador.
- **PELIGRO — Mantenga las manos alejadas de la hoja.** Entrar en contacto con la hoja puede provocar lesiones corporales serias.
- **ADVERTENCIA — Sólo uso con mango y protección ensamblado apropiadamente podadora de setos.** El uso del podadora de setos sin el protección o el mango apropiados proporcionados puede tener como resultado herida personal grave.
- **Utilice ambas manos para trabajar con la podadora de setos.** Si utiliza una sola mano puede perder el control y terminar en lesiones corporales serias.
- **Siempre póngase protección ocular con protección lateral con la marca de cumplimiento de la norma ANSI Z87.1.** Con el cumplimiento de esta regla se reduce el riesgo de posibles lesiones oculares.
- **Despeje el área de corte antes de utilizar.** Quite todos los objetos tales como cables, luces, alambres o cuerdas sueltas que puedan enredarse con la hoja de corte y crear el riesgo de lesiones personales graves.
- **Antes de encender la podadora de setos, asegúrese de que la hoja no esté en contacto con ningún objeto.**










- **Apague la unidad, retire el paquete de baterías y asegúrese de que se haya detenido la hoja antes de poner en reposo la unidad.**
- **Nunca corte ningún material de un diámetro superior a 19 mm (3/4 pulg.).**
- **Siempre detenga el motor al retardar un corte o al caminar de un lugar donde esté cortando a otro.**
- **Mantenga la unidad libre de recortes y otros materiales.** Pueden alojarse en las hojas de corte.
- **Si la podadora de setos está equipada con un eliminador de desechos, no lo utilice como superficie de sujeción.**
- **Guarde la unidad dentro de un lugar seco, ya sea bajo llave o en lo alto para evitar el uso no autorizado y daños a la misma.** Mantenga la unidad fuera del alcance de los niños y de personas sin capacitación.
- **Coloque de nuevo la cubierta de la hoja cuando no tenga en uso la unidad.**
- **Nunca moje ni rocíe con agua ni con ningún otro líquido la unidad.** Mantenga secos, limpios y sin basura los mangos. Limpie la unidad después de usarla; vea el apartado Instrucciones para guardar la unidad.
- **Mantenga asegurada la unidad mientras la transporta.**
- **Las herramientas de baterías no necesitan conectarse a una toma de corriente; por lo tanto, siempre están en condiciones de funcionamiento.** Esté consciente de los posibles peligros incluso si no está encendida la unidad.
- **Retire el paquete de baterías antes de ajustar, limpiar, guardar o quitar material de la unidad, o cuando no la tenga en uso.**
- **Cuando transporta o almacena la podadora de setos siempre coloque la cubierta sobre la hoja de la máquina.**
- **Cargue solamente con el cargador indicado.** Para utilizar con paquetes de baterías de níquel-cadmio de 18 V o de iones de litio de 18 V, consulte el folleto de la herramienta/aparato/paquete de baterías/cargador complementario 987000-432.
- **Guarde estas instrucciones.** Consúltelas con frecuencia y empléelas para instruir a otras personas que puedan utilizar esta herramienta. Si presta a alguien esta herramienta, facilítele también las instrucciones.

# SÍMBOLOS

Las siguientes palabras de señalización y sus significados tienen el objeto de explicar los niveles de riesgo relacionados con este producto.



SÍMBOLO	SEÑAL	SIGNIFICADO
	<b>PELIGRO:</b>	Indica una situación peligrosa inminente, la cual, si no se evita, causará la muerte o lesiones serias.
	<b>ADVERTENCIA:</b>	Indica una situación peligrosa posible, la cual, si no se evita, podría causar la muerte o lesiones serias.
	<b>PRECAUCIÓN:</b>	Indica una situación peligrosa posible, la cual, si no se evita, podría causar lesiones menores o leves.
	<b>PRECAUCIÓN:</b>	(Sin el símbolo de alerta de seguridad.) Indica una situación que puede producir daños materiales

Es posible que se empleen en esta producto algunos de los siguientes símbolos. Le suplicamos estudiarlos y aprender su significado para mayor seguridad al manejar este producto.

SÍMBOLO	NOMBRE	DENOMINACIÓN/EXPLICACIÓN
	Alerta de seguridad	Indica un peligro posible de lesiones personales.
	Lea el manual del operador	Para reducir el riesgo de lesiones, el usuario debe leer y comprender el manual del operador antes de usar este producto.
	Protección ocular	Siempre póngase protección ocular con protección lateral con la marca de cumplimiento de la norma ANSI Z87.1.
	Alerta de condiciones húmedas	No exponga la unidad a la lluvia ni la use en lugares húmedos.
	Símbolo de no acercar las manos	Si no mantiene las manos alejadas de la hoja de corte, se causará serias lesiones corporales.
	Mantenga alejadas a las personas presentes	Mantenga a los circunstantes a una distancia mínima de 15 m (50 pies).
	Guantes	Póngase guantes protectores antideslizantes de uso pesado cuando maneje las hojas.
	Use las dos manos	Sujete y opere la podadora de setos con ambas manos.
	Piezas móviles	Mantenga las manos lejos de piezas en movimiento.

# SÍMBOLOS

Es posible que se empleen en esta producto algunos de los siguientes símbolos. Le suplicamos estudiarlos y aprender su significado para mayor seguridad al manejar este producto.

SÍMBOLO	NOMBRE	DENOMINACIÓN / EXPLICACIÓN
	Descarga eléctrica	Si no se usa la unidad en condiciones secas y no se observan prácticas seguras de trabajo, puede producirse una descarga eléctrica.
	Símbolos de reciclado	Este producto contiene baterías de níquel-cadmio (Ni-Cd) o iones de litio (Li-ion). Es posible que algunas leyes municipales, estatales o federales prohíban desechar las baterías de níquel-cadmio en la basura normal. Consulte a las autoridades reguladoras de desechos para obtener información en relación con las alternativas de reciclado y desecho disponibles.
V	Volts	Voltaje
hrs	Horas	Tiempo
==	Corriente continua	Tipo o característica de corriente
$n_0$	Velocidad en vacío	Velocidad de rotación, en vacío
.../min	Por minuto	Revoluciones, carreras, velocidad superficial, órbitas, etc., por minuto

# CARACTERÍSTICAS

## ESPECIFICACIONES DEL PRODUCTO

Motor ..... 18 V, corr. cont.  
Longitud de la hoja ..... 559 mm (22 pulg.)

Capacidad de corte ..... 19 mm (3/4 pulg.)  
Velocidad de corte ..... 1 500 cortes por minuto

## FAMILIARÍCESE CON LA PODADORA DE SETOS

Vea la figura 1.

Para usar este producto con la debida seguridad se debe comprender la información indicada en la herramienta misma y en este manual, y se debe comprender también el trabajo que intenta realizar. Antes de usar este producto, familiarícese con todas las características de funcionamiento y normas de seguridad del mismo.

## DEFLECTOR DE DESECHOS

Una vez instalado, el deflector de desechos facilita la remoción de los residuos del corte.

## PROTECCIÓN

La protección ayuda a desviar virutas u otros desechos de la dirección donde están las manos del operador.

## SOPORTE BOCALLAVE

El soporte incorporado le permite almacenar la unidad fácil y cómodamente en un lugar seguro.

## BOTÓN DEL SEGURO

El botón del seguro un arranque accidental de la herramienta.

## MANGO TRASERO GIRATORIO

El mango trasero se puede girar para trabarse en cualquiera de los dos lados, ya sea a un ángulo de 45° o 90°, para facilidad de uso cuando utilice la recortadora. Esta es una característica particularmente útil cuando utiliza la recortadora en posición vertical o cuando recorta los laterales de los arbustos.

## FUNDA

Funda impide que el operador toque las afiladas hojas cuando no tenga en uso la herramienta. También ayuda a impedir que las las hojas resulten melladas o dañadas cuando está guardada la herramienta.

# ARMADO

## DESEMPAQUETADO

Embarcamos este producto completamente armado.

- Extraiga cuidadosamente de la caja la herramienta y los accesorios. Asegúrese de que estén presentes todos los artículos enumerados en la lista de empaquetado.

### ADVERTENCIA:

No use este producto si no está totalmente ensamblado o si alguna pieza falta o está dañada. Si utiliza un producto que no se encuentra ensamblado de forma correcta y completa, puede sufrir lesiones graves.

- Inspeccione cuidadosamente el producto para asegurarse de que no haya sufrido ninguna rotura o daño durante el transporte.
- No deseche el material de empaquetado hasta que haya inspeccionado cuidadosamente el producto y la haya utilizado satisfactoriamente.
- Si hay piezas dañadas o faltantes, le suplicamos llamar al 1-800-860-4050 donde le brindaremos asistencia.

## LISTA DE EMPAQUETADO

Podadora de setos  
Deflector de desechos

## LISTA DE EMPAQUETADO *continuación*

Funda  
Manual del operador

### ADVERTENCIA:

Si falta o está dañada alguna pieza, no utilice este producto hasta tenerlas todas completas. Le fait d'utiliser ce produit même s'il contient des pièces endommagées ou s'il lui manque des pièces peut entraîner des blessures graves.

### ADVERTENCIA:

No intente modificar este producto ni hacer accesorios no recomendados para la misma. Cualquier alteración o modificación constituye maltrato, el cual puede causar una condición peligrosa, y como consecuencia posibles lesiones corporales serias.

### ADVERTENCIA:

Para evitar un arranque accidental que podría causar lesiones corporales graves, siempre desconecte el paquete de baterías del producto al ensamblar las piezas.

# FUNCIONAMIENTO

## **⚠️ ADVERTENCIA:**

No permita que su familiarización con este producto lo vuelva descuidado. Tenga presente que un descuido de un instante es suficiente para causar una lesión grave.

## **⚠️ ADVERTENCIA:**

Siempre póngase protección ocular con protección lateral con la marca de cumplimiento de la norma ANSI Z87.1. Si no cumple esta advertencia, los objetos que salen despedidos pueden producirle lesiones serias en los ojos.

## **⚠️ ADVERTENCIA:**

No utilice ningún aditamento o accesorio no recomendado por el fabricante de este producto. El empleo de aditamentos o accesorios no recomendados podría causar lesiones serias.

## **AVISO:**

Antes de cada uso, inspeccione todo el producto para detectar algún daño, partes faltantes o sueltas, como tornillos, tuercas, pernos, tapas, etc. Ajuste firmemente todos los sujetadores y las tapas y no active este producto hasta que todas las partes faltantes o dañadas sean reemplazadas. Llame al 1-800-860-4050 o comuníquese con un centro de servicio autorizado para recibir asistencia.

## **USOS**

Este producto puede emplearse para los fines enumerados abajo:

- Recortar y dar forma a setos y arbustos

Este producto acepta los paquetes de baterías Ryobi One+ de iones de litio de 18 V y los paquetes de baterías Ryobi One+ de níquel-cadmio de 18 V.

Si la herramienta se detiene durante el uso, suelte el gatillo para reiniciarla y reanude el funcionamiento. Si aun así no funciona, se debe recargar la batería.

## **INSTALACIÓN DEL DEFLECTOR DE DESECHOS**

*Vea la figura 2.*

**NOTA:** Siempre use guantes antideslizantes para servicio pesado cuando instale o desmonte el deflector de desechos.

- Retire el paquete de pilas.
- Coloque la podadora de setos sobre una superficie plana y resistente.
- Alinee el borde angular del deflector de desechos con las ranuras de la barra guía.
- Deslice completamente el deflector sobre la barra guía, de manera que el borde angular del deflector descansa por debajo de la protección.
- Introduzca el retén del deflector en el extremo de la barra de la guía.

## **⚠️ ADVERTENCIA:**

Nunca use el deflector de desechos como mango ni intente sostener o guiar la podadora de setos sujetándola por el deflector de desechos. Siempre mantenga ambas manos en los mangos de la podadora de setos. El uso indebido de la podadora de setos podría generar lesiones de gravedad.

## **PARA DESMONTAR Y MONTAR EL PAQUETE DE BATERÍAS**

*Vea la figura 3.*

## **⚠️ ADVERTENCIA:**

Retire siempre el paquete de baterías de la herramienta antes de instalar las piezas, realizar ajustes, limpiarla o cuando no la utilice. Retirar el paquete de baterías evitará que la unidad se accione accidentalmente y provoque lesiones graves.

### **Para conectar:**

- Introduzca el paquete de baterías en el receptáculo para baterías.
- Antes de empezar a utilizar la unidad, asegúrese de que los pestillos situados en ambos lados del paquete de baterías entren completamente en su lugar con un chasquido, y de que el paquete quede bien fijo en la podadora de setos.

## **AVISO:**

Al colocar el paquete de baterías en la herramienta, asegúrese que la costilla realzada del mismo quede alineada con la parte inferior de la herramienta y de que los pestillos entren adecuadamente en su lugar. Si no se instala debidamente el paquete de baterías pueden dañarse los componentes internos.

### **Para el desmontaje:**

- Localice los pestillos situados en el costado del paquete de baterías y oprímalos en ambos lados para liberar éste de la podadora de setos.

## **⚠️ ADVERTENCIA:**

Las herramientas que funcionan a pilas siempre están en condiciones de funcionamiento. Por lo tanto, el interruptor de bloqueo debe estar asegurado y las manos deben estar alejados del botón de bloqueo cuando la unidad no esté en uso. Retire el paquete de pilas al transportar o trasladar la podadora de setos a fin de evitar arranques accidentales que pueden causar lesiones serias.

# FUNCIONAMIENTO

## ENCENDIDO Y APAGADO PODADORA DE SETOS

Vea la figura 4.

### Para encendido:

- Retire la funda.
- Oprima y no suelte el botón del seguro.
- Oprima el gatillo del interruptor.
- Suelte el botón del seguro. Para accionar la unidad continúe oprimiendo el gatillo.

### Para apagado:

- Suelte el gatillo cuando desee apagar la podadora de setos.
- Al soltar el gatillo, el botón del seguro regresa automáticamente a la posición de aseguramiento.

## MANGO GIRATORIO

Vea la figura 5.

El mango se puede girar 45° o 90° hacia la izquierda o hacia la derecha.

### Para girar el mango:

- Retire el paquete de pilas.
- Tire de la perilla del mango giratorio hacia atrás.
- Gire el mango hacia la derecha o hacia la izquierda.
- Suelte la perilla del mango giratorio.
- Siga girando el mango hasta que quede fijo en su lugar, en una de las posiciones de 45° o 90°.

**NOTA:** La recortadora sólo funcionará en una de estas posiciones de aseguramiento. El mango está asegurado cuando la perilla del mango giratorio está sujeta firmemente en su lugar, el mango no está extendido y ya no se mueve hacia ninguno de los lados.

## SUJECCIÓN DE LA PODADORA DE SETOS

Vea la figura 4.

La unidad dispone de un mango delantero y uno trasero. Teniendo la hoja apuntando en la dirección opuesta a usted sujete la unidad por ambos mangos.

### ADVERTENCIA:

Siempre mantenga ambas manos en los mangos de la podadora de setos. Nunca sujete los arbustos con una mano mientras maneja la podadora de setos con la otra. El uso inadecuado de la podadora de setos puede causar lesiones serias.

## SUGERENCIAS PARA CORTAR

Vea la figura 7.

### PELIGRO:

Nunca realice cortes cerca de cordones o líneas eléctricas. Si la hoja se atora en un cordón o línea eléctrica, ¡NO LA TOQUE! PUEDE CARGARSE DE ELECTRICIDAD Y SER MUY PELIGROSA. Continúe sujetando la podadora de setos por el mango trasero, el cual está aislado, o déjela reposar lejos de usted, de alguna forma segura. Desconecte el servicio de corriente eléctrica conectado a la línea o cordón dañado antes de intentar liberar de éste(a) la hoja. El contacto con la hoja, con otras piezas conductoras de la podadora de setos o con cordones o líneas de corriente eléctrica puede producir la muerte por electrocución o lesiones serias.

### ADVERTENCIA:

Siempre despeje el área de trabajo antes de poner a funcionar la herramienta. Retire todos los objetos como cordones, luces, alambre, o cordones aflojadas, los cuales pueden enredarse en la hoja de corte y presentar un riesgo de lesiones graves.

- Antes de encender la podadora de setos, sujete la unidad con ambas manos, con las hojas de corte apuntando en la dirección opuesta a usted. Siempre use correctamente la podadora de setos.
- No fuerce la podadora de setos al estar recortando arbustos espesos. Tal acción podría causar un atascamiento y una disminución en la velocidad de las hojas. Si se disminuye la velocidad de las hojas, aminore el paso.
- No intente cortar tallos o ramas más gruesas de 19 mm (3/4 pulg.), ni aquéllas demasiado gruesas para entrar en los entredientes de las hojas de corte. Para podar tallos gruesos utilice una sierra de podar manual o de motor.
- Si se atascan las hojas, apague el motor, permita que se detengan las hojas y retire el paquete de baterías antes de intentar quitar la obstrucción.
- Si lo desea, puede utilizar un cordón para ayudarse a cortar el seto a nivel. Decida qué tan alto desea el seto. Después estire el cordón a lo largo del seto, a esta altura. Póde el seto justo arriba de esta línea de guía del cordón. Póde el costado del seto de manera que quede levemente más angosto en la parte superior. Cuando se le da forma de esta manera al seto, más área del mismo queda expuesta, y quedará más uniforme.
- Al utilizar la podadora de setos siempre sujétela con ambas manos. Sujete firmemente ambos mangos. La unidad se utiliza para cortar en cualquier dirección con un movimiento lento de barrido de lado a lado.
- Póngase guantes cuando corte ramas espinosas.
- Al podar el renuevo de los setos, aplique un movimiento de barrido, de manera que las hojas de corte lleguen directamente a los tallos. El renuevo viejo tiene tallos más gruesos y se poda mejor aplicando un movimiento de aserrado.

# MANTENIMIENTO

## **ADVERTENCIA:**

Al dar servicio a la unidad, sólo utilice piezas de repuesto Ryobi idénticas. El empleo de piezas diferentes puede causar un peligro o dañar el producto.

## **ADVERTENCIA:**

Siempre póngase protección ocular con protección lateral con la marca de cumplimiento de la norma ANSI Z87.1. Si la operación genera mucho polvo, también póngase una mascarilla contra el polvo.

## **ADVERTENCIA:**

Para evitar lesiones corporales serias, siempre retire el paquete de baterías de la herramienta al limpiarla o darle mantenimiento.

## **AVISO:**

Inspeccione periódicamente todo el producto para detectar partes dañadas, faltantes o sueltas, como tornillos, tuercas, pernos, tapas, etc. Apriete firmemente todos los sujetadores y las tapas y no accione este producto hasta que todas las partes faltantes o dañadas sean reemplazadas. Póngase en contacto con el servicio al cliente o con un centro de servicio autorizado para obtener ayuda.

## **MANTENIMIENTO GENERAL**

Evite el empleo de solventes al limpiar piezas de plástico. La mayoría de los plásticos son susceptibles a diferentes tipos de solventes comerciales y pueden resultar dañados. Utilice paños limpios para eliminar la suciedad, el polvo, el aceite, la grasa, etc.

## **ADVERTENCIA:**

No permita en ningún momento que fluidos para frenos, gasolina, productos a base de petróleo, aceites penetrantes, etc., lleguen a tocar las piezas de plástico. Las sustancias químicas pueden dañar, debilitar o destruir el plástico, lo cual a su vez puede producir lesiones corporales serias.

## **REMOCIÓN Y PREPARACIÓN DEL PAQUETE DE BATERÍAS PARA EL RECICLADO**

### **ADVERTENCIA:**

Al retirar el paquete de baterías, cubra las terminales del mismo con cinta adhesiva reforzada. No intente destruir o desarmar el paquete de baterías, ni de desmontar ninguno de sus componentes. Las baterías deben reciclarse o desecharse debidamente. Asimismo, nunca toque ambas terminales con objetos metálicos y partes del cuerpo, ya que puede producirse un corto circuito. Manténgase fuera del alcance de los niños. La inobservancia de estas advertencias puede causar incendios y lesiones corporales serias.

## **TRANSPORTE Y ALMACENAMIENTO**

- Siempre coloque la funda en ésta antes de guardar o de transportar la podadora de setos. Tenga precaución y evite tocar los afilados dientes de la hoja de corte.
- Limpie la podadora de setos completamente antes de guardarla. Guarde la podadora de setos en el interior, en un lugar seco inaccesible a los niños. Evite que la unidad entre en contacto con agentes corrosivos como las sustancias químicas para el jardín y las sales para derretir el hielo.

## **LUBRICACIÓN DE LA HOJA DE CORTE**

*Vea la figura 8.*

### **ADVERTENCIA:**

Permita que se detengan las hojas de la podadora de setos y retire el paquete de baterías antes de lubricación. De lo contrario la unidad puede ponerse en marcha accidentalmente, con el consiguiente riesgo de lesiones corporales serias.

Para facilitar el manejo de la unidad y prolongar la vida de servicio de la hoja, siempre lubrique ésta antes y después de utilizar la podadora de setos.

- Retire el paquete de baterías de la podadora de setos.
- Deposite la podadora de setos en una superficie horizontal. Aplique aceite de baja viscosidad para máquina a lo largo del filo de la hoja superior.

**NOTA:** Si va a estar utilizando la podadora de setos durante un período de tiempo prolongado, se recomienda aceitar la hoja periódicamente.

- Apague la podadora de setos.
- Retire el paquete de baterías.
- Lubrique la podadora de setos como se explica arriba.
- Vuelva a instalar el paquete de baterías y reanude el trabajo.

# MANTENIMIENTO

## AFILADO DE LA HOJA DE CORTE

Vea la figura 9.

- Permita que se detengan las hojas de la podadora de setos en la posición mostrada. De esta manera se da espacio libre para la lima, entre los dientes de corte y los de protección.
- Retire el paquete de baterías de la podadora de setos.
- Sujete el conjunto de las hojas en una prensa de banco y lime la superficie expuesta de cada diente con una lima redonda de 203 mm (8 pulg.) de largo y 6,4 mm (1/4 pulg.) o 5,6 mm (7/32 pulg.) de diámetro. Asegúrese de conservar el ángulo original de los dientes al limarlos.
- Retire de la prensa de banco la podadora de setos, coloque de nuevo el paquete de baterías y encienda de nuevo la unidad. Permita que se detengan las hojas de la podadora de setos en la posición mostrada, para dejar expuestos los filos sin afilar de los dientes de la hoja.
- Retire el paquete de baterías de la podadora de setos y repita el procedimiento de afilado como se explica arriba.

## LIMPIEZA DE LA PODADORA DE SETOS

- Retire el paquete de baterías.
- Con un movimiento de deslizamiento coloque la funda sobre ésta.

- Limpie toda la tierra y la basura del cuerpo de la podadora de setos con un paño humedecido con un detergente suave.

**NOTA:** No aplique ningún detergente fuerte al alojamiento de plástico ni al mango. Pueden resultar dañados por ciertos aceites aromáticos como los de pino y limón, así como por solventes como el queroseno.

- La humedad puede causar un riesgo de descarga eléctrica. Limpie toda humedad depositada con un paño suave seco.
- Con un cepillo pequeño o con el aire de una aspiradora pequeña limpie el polvo y la basura de las aberturas de aire del alojamiento del motor.

## FORMA DE GUARDAR LA PODADORA DE SETOS

Vea la figura 10.

- Limpie completamente la podadora de setos antes de guardarla. Guarde la podadora de setos en un espacio bien ventilado inaccesible a los niños. Evite que la unidad entre en contacto con agentes corrosivos como las sustancias químicas para el jardín y las sales para derretir el hielo.
- Siempre coloque la funda en éstas antes de guardar la podadora de setos.



# GARANTÍA

## DECLARACIÓN DE LA GARANTÍA LIMITADA

Techtronic Industries North America, Inc. garantiza al comprador original al menudeo que este producto de la marca RYOBI® carece de defectos en los materiales y en la mano de obra, y acuerda reparar o reemplazar, a la sola discreción de Techtronic Industries North America, Inc., cualquier producto defectuoso, sin cargo alguno al comprador, dentro de los siguientes períodos de tiempo a partir de la fecha de compra.

- Tres años si los productos se emplean para uso personal, familiar o casero;
- 90 días si el producto se emplea para cualquier otro propósito, como el uso comercial o el de alquiler.

Esta garantía se otorga solamente al comprador original al menudeo, y comienza en la fecha de la compra original al menudeo.

Cualquier parte de este producto Techtronic Industries North America, Inc. que, a juicio razonable de la compañía, tenga defectos en los materiales o en la mano de obra, será reparado o reemplazado por un centro de servicio autorizado de herramientas para uso en el exterior de la marca RYOBI®, sin cargo alguno al comprador por concepto de piezas y mano de obra (Centro de Servicio Autorizado Ryobi).

El producto, incluida toda pieza defectuosa, debe enviarse a un centro de servicio autorizado Ryobi dentro del período de la garantía. El gasto de enviar el producto al centro de servicio para cualquier trabajo cubierto por la garantía, así como el gasto de devolverlo al propietario después de la reparación, correrán por cuenta del propietario. La responsabilidad de Techtronic Industries North America, Inc. con respecto a todo reclamo se limita a las reparaciones o reemplazo del producto, y ningún reclamo de incumplimiento de la garantía será causante de la cancelación o rescisión del contrato de venta de ninguna herramienta de uso en el exterior de la marca RYOBI®. En el establecimiento se requerirá el recibo de compra para respaldar cualquier reclamo al amparo de la garantía. Todo trabajo cubierto en la garantía debe ser realizado por un concesionario de servicio autorizado.

Esta garantía se limita a noventa (90) días a partir de la fecha original de la compra de cualquier herramienta de uso en el exterior de la marca RYOBI® empleada para propósitos comerciales o de alquiler, o cualquier otro propósito generador de ingresos.

Esta garantía no cubre ningún producto que haya sido sujeto a un uso indebido, maltrato, negligencia o accidente, o que haya sido utilizado de cualquier forma contraria a las instrucciones de manejo especificadas en el manual del operador del producto. Esta garantía no aplica a ningún daño en el producto que resulte de un mantenimiento indebido ni a ningún producto que haya sido alterado o modificado. La garantía no cubre ninguna reparación necesaria por el uso normal ni por el uso de piezas o accesorios que sean incompatibles con la herramienta para uso exterior de la marca RYOBI®, o afecten de forma desfavorable su funcionamiento, desempeño o durabilidad.

Además, esta garantía no cubre:

A. Afinación – Bujías, carburador, ajustes del carburador, encendido, filtros

B. Artículos sujetos a desgaste – Perillas de tope, carretes exteriores, hilos de corte, carretes interiores, poleas del arrancador, cuerdas del arrancador, correas de transmisión, aspas, arandelas de fieltro y pasadores de enganche, hojas de triturar, ventiladores de sopladoras, tubos de sopladoras y de aspiradoras, sacos y correas de aspiradoras, barras guía y cadenas de sierras

Techtronic Industries North America, Inc. se reserva el derecho a cambiar o mejorar el diseño de cualquier herramienta para uso en el exterior de la marca RYOBI® sin asumir ninguna obligación de modificar ningún producto fabricado previamente.

TODAS LAS GARANTÍAS IMPLÍCITAS ESTÁN LIMITADAS EN DURACIÓN SEGÚN EL PERÍODO DE GARANTÍA DECLARADA. POR CONSIGUIENTE, CUALQUIER GARANTÍA IMPLÍCITA, INCLUSO LAS DE COMERCIABILIDAD, IDONEIDAD PARA UN PROPÓSITO EN PARTICULAR, O DE CUALQUIER TIPO, PIERDEN TOTALMENTE SU VALIDEZ DESPUÉS DEL VENCIMIENTO DEL PERÍODO DE GARANTÍA CORRESPONDIENTE DE TRES AÑOS, UN AÑO O NOVENTA DÍAS. DE CONFORMIDAD CON ESTA GARANTÍA, LA OBLIGACIÓN DE TECHTRONIC INDUSTRIES NORTH AMERICA, INC. SE LIMITA ESTRUCTIVA Y EXCLUSIVAMENTE A LA REPARACIÓN O REPLAZO DE LAS PIEZAS DEFECTUOSAS, Y TECHTRONIC INDUSTRIES NORTH AMERICA, INC. NO ASUME NINGUNA OTRA OBLIGACIÓN, NI AUTORIZA A NADIE ASUMIRLA A NOMBRE DE DICHA COMPAÑÍA. ALGUNOS ESTADOS NO PERMITEN LIMITACIONES EN CUANTO A LA DURACIÓN DE UNA GARANTÍA IMPLÍCITA, POR LO CUAL ES POSIBLE QUE LA LIMITACIÓN ANTERIOR NO SE APLIQUE EN EL CASO DE USTED. TECHTRONIC INDUSTRIES NORTH AMERICA, INC. NO ASUME NINGUNA RESPONSABILIDAD POR DAÑOS DIRECTOS, INDIRECTOS O DE NINGÚN OTRO TIPO, COMO EL GASTO DE ENVIAR EL PRODUCTO A UN CENTRO DE SERVICIO AUTORIZADO RYOBI Y EL GASTO DE ENVIARLO DE ALLÍ AL PROPIETARIO, EL TIEMPO DE VIAJE DEL MECÁNICO, CARGOS TELEFÓNICOS O TELEGRÁFICOS, ALQUILER DE UN PRODUCTO SUSTITUTO DURANTE EL TIEMPO DE REALIZACIÓN DEL SERVICIO DE LA GARANTÍA, VIAJES, PÉRDIDA O DAÑOS A OBJETOS DE PROPIEDAD PERSONAL, PÉRDIDA DE INGRESOS, PÉRDIDA DEL USO DEL PRODUCTO, PÉRDIDA DE TIEMPO O INCONVENIENTES. EN ALGUNOS ESTADOS NO SE PERMITE LA EXCLUSIÓN O LIMITACIÓN DE DAÑOS DIRECTOS O INDIRECTOS, POR LO CUAL ES POSIBLE QUE LA LIMITACIÓN O EXCLUSIÓN DESCRITA ARRIBA NO SE APLIQUE EN SU CASO.

Esta garantía le confiere derechos legales específicos, y es posible que usted goce de otros derechos, los cuales pueden variar de estado a estado.

Esta garantía se aplica a todas las herramientas para uso en el exterior de la marca RYOBI® fabricadas por Techtronic Industries North America, Inc. y vendidos en Estados Unidos y Canadá.

Para encontrar el centro de servicio autorizado Ryobi más cercano a usted, llame al 1-800-860-4050.

## NOTES / NOTAS







**OPERATOR'S MANUAL**  
**MANUEL D'UTILISATION / MANUAL DEL OPERADOR**  
**18 VOLT HEDGE TRIMMER**  
**TAILLE-HAIES 18 V / PODADORA DE SETOS DE 18 V**  
**P2606**

**CALIFORNIA PROPOSITION 65**

**⚠ WARNING:**

This product, its exhaust, and other substances that may become airborne from its use may contain chemicals, including lead, known to the State of California to cause cancer, birth defects, or other reproductive harm. **Wash hands after handling.**

**PROPOSITION 65 DE L'ÉTAT DE CALIFORNIE**

**⚠ AVERTISSEMENT :**

Ce produit, les gaz d'échappement qu'il dégage et les autres substances rejetées dans l'air suite à son utilisation peuvent contenir des produits chimiques, notamment du plomb qui, selon l'État de la Californie, peuvent causer le cancer, des anomalies congénitales et d'autres dommages au système reproducteur. **Bien se laver les mains après toute manipulation.**

**CALIFORNIA - PROPUESTA DE LEY NÚM. 65**

**⚠ ADVERTENCIA:**

Este producto, su escape y otras sustancias que puedan llegar a ser aerotransportadas por su uso pueden contener sustancias químicas (incluido el plomo) reconocidas por el estado de California como causantes de cáncer, defectos congénitos y otras afecciones del aparato reproductor. **Lávese las manos después de utilizar el aparato.**

RYOBI is a trademark of Ryobi Limited and is used pursuant to a license granted by Ryobi Limited.

RYOBI est une marque de RYOBI Limited et est utilisée en vertu d'une licence accordée par Ryobi Limited.

RYOBI es una marca de Ryobi Limited y se utiliza conforme a una licencia otorgada por Ryobi Limited.

• **PARTS AND SERVICE:** Prior to requesting service or purchasing replacement parts, please obtain your item, manufacturing, and serial numbers from the product data plate.

ITEM NO. \_\_\_\_\_  
 MANUFACTURING NO. \_\_\_\_\_  
 SERIAL NO. \_\_\_\_\_

**HOW TO OBTAIN REPLACEMENT PARTS:** A replacement parts list is available online at [www.ryobitools.com](http://www.ryobitools.com). Replacement parts can be purchased online or by calling 1-800-860-4050. Replacement parts can also be obtained at one of our service centers.

**HOW TO LOCATE A SERVICE CENTER:** Service centers can be located online at [www.ryobitools.com](http://www.ryobitools.com) or by calling 1-800-860-4050.

**HOW TO OBTAIN CUSTOMER OR TECHNICAL SUPPORT:** To obtain customer or technical support please contact us at 1-800-860-4050.

• • • • •

• **PIÈCES ET SERVICE :** Avant de faire la demande de service ou l'achat de pièces de remplacement, veuillez obtenir le numéro d'article, le numéro de fabrication et le numéro de série à partir de la plaque de données du produit.

NUMÉRO D'ARTICLE \_\_\_\_\_  
 NUMÉRO DE FABRICATION \_\_\_\_\_  
 NUMÉRO DE SÉRIE \_\_\_\_\_

**COMMENT OBTENIR LES PIÈCES DE REMPLACEMENT :** Une liste des pièces de rechange est disponible en ligne sur le site [www.ryobitools.com](http://www.ryobitools.com). Les pièces de remplacement peuvent être achetées en ligne ou par téléphone au 1-800-860-4050. Les pièces de remplacement peuvent être obtenues à un de nos centres de service.

**COMMENT TROUVER UN CENTRE DE SERVICE :** Les centres de service peuvent être localisés en ligne au [www.ryobitools.com](http://www.ryobitools.com) ou en téléphonant au 1-800-860-4050.

**COMMENT OBTENIR DE L'AIDE EN CONTACTANT LE SERVICE À LA CLIENTÈLE :** Pour contacter le service à la clientèle pour une question technique ou pour tout autre renseignement, veuillez nous téléphoner au 1-800-860-4050.

• • • • •

• **PIEZAS DE REPUESTO Y SERVICIO:** Antes de solicitar servicio técnico o comprar piezas de repuesto, obtenga su número de artículo, el número de fabricación y el número de serie de la placa de datos del producto.

NÚMERO DE ARTÍCULO \_\_\_\_\_  
 NÚMERO DE FABRICACIÓN \_\_\_\_\_  
 NÚMERO DE SERIE \_\_\_\_\_

**CÓMO OBTENER PIEZAS DE REPUESTO:** Una lista de piezas de repuesto está disponibles en línea en la dirección [www.ryobitools.com](http://www.ryobitools.com). Las piezas de repuesto se pueden comprar en nuestro sitio o llamando al 1-800-860-4050. Las piezas de repuesto también se pueden obtener en uno de nuestros centros de servicio.

**CÓMO LOCALIZAR UN CENTRO DE SERVICIO:** Puede encontrar los centros de servicio visitando nuestro sitio en la red mundial, en la dirección [www.ryobitools.com](http://www.ryobitools.com) or by calling 1-800-860-4050.

**CÓMO OBTENER SERVICIO O ASISTENCIA TÉCNICA AL CONSUMIDOR:** Para obtener servicio o asistencia técnica al consumidor, sírvase comunicarse con nosotros llamando al 1-800-860-4050.

**TECHTRONIC INDUSTRIES POWER EQUIPMENT**

1428 Pearman Dairy Road, Anderson, SC 29625 USA  
 1-800-860-4050 • [www.ryobitools.com](http://www.ryobitools.com)