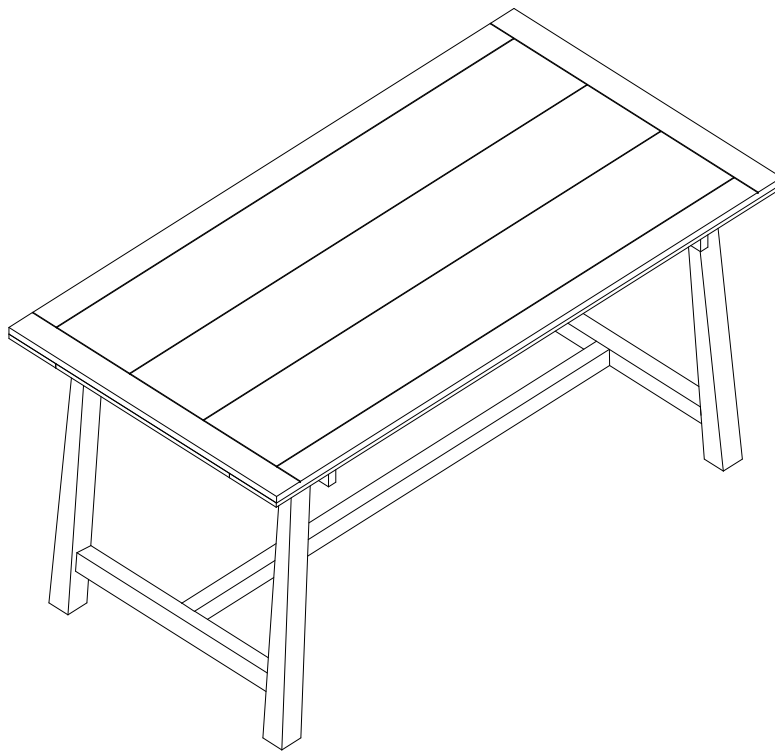


USE AND CARE GUIDE

RECTANGLE TRESTLE TABLE



Questions, problems, missing parts?
Before returning to the store, call Customer Service.
8 a.m. – 7 p.m., EST, Monday – Friday, 9 a.m. – 6 p.m., EST, Saturday

1-877-527-0313

HOMEDEPOT.COM

THANK YOU

We appreciate the trust and confidence you have placed in StyleWell through the purchase of this Rectangle Trestle Table- Unfinished. We strive to continually create quality products designed to enhance your home. Visit us online to see our full line of products available for your home improvement needs. Thank you for choosing StyleWell!

Table of Contents

Table of Contents.....	2	Tools Required.....	3
Safety Information.....	2	Hardware Included.....	3
Warranty.....	2	Pre-assembly (continued).....	4
3 Year Warranty.....	2	Package Contents.....	4
What is Covered.....	2	Assembly.....	5
What is Not Covered.....	2	Maintenance.....	6
Pre-assembly.....	3	Care and Cleaning.....	6
Planning Assembly.....	3		

Safety Information



DANGER

- Keep small parts away from children during assembly.
- Read and follow instructions carefully.



WARNING

- Read these instructions carefully and keep in a safe place.
- TO GUARANTEE THE SAFE USE OF THIS PRODUCT, FOLLOW THE WARNINGS, GUIDELINES AND RECOMMENDATIONS IN THIS MANUAL.
- Adult assembly required.
- Small parts may present choking hazard prior to assembly.



CAUTION

- Do not use power tools to assemble your furniture. Power tools may strip or damage parts/product.
- Do not overtighten connectors (screws, bolts, etc.). Overtightening can lead to product damage.
- Be sure to check all packing materials carefully for small parts that may have come loose inside the carton during shipment. If parts are missing, contact THE HOME DEPOT to obtain any missing parts.
- DO NOT USE SUBSTITUTE PARTS.
- This product should only be used on a flat, level surface.
- Some assembly may involve attaching glass or mirrors.
- Be very careful handling the glass or mirrors, as severe injury may result if the glass or mirror breaks.
- Never handle large pieces of glass or mirrors by yourself.
- Assembly requires two people; assembly alone may cause injury.

Warranty

1 YEAR WARRANTY

WHAT IS COVERED

We guarantee this product to be free of manufacturing defects to the original purchaser for three years.

WHAT IS NOT COVERED

This warranty does not cover commercial use, acts of nature, and abusive use.

Pre-assembly

PLANNING ASSEMBLY

This product has been designed for easy assembly and constructed for durability. All parts were checked prior to packaging to ensure quality. Prior to beginning assembly, however, make sure all parts and hardware are included and free of obvious defects. If a part is missing or defective, please contact the store where purchased.

TOOLS REQUIRED



Safety goggles



Level

HARDWARE INCLUDED



NOTE: Hardware not shown to actual size.



—AA



—BB



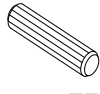
—CC



—DD



—EE



—FF



—GG

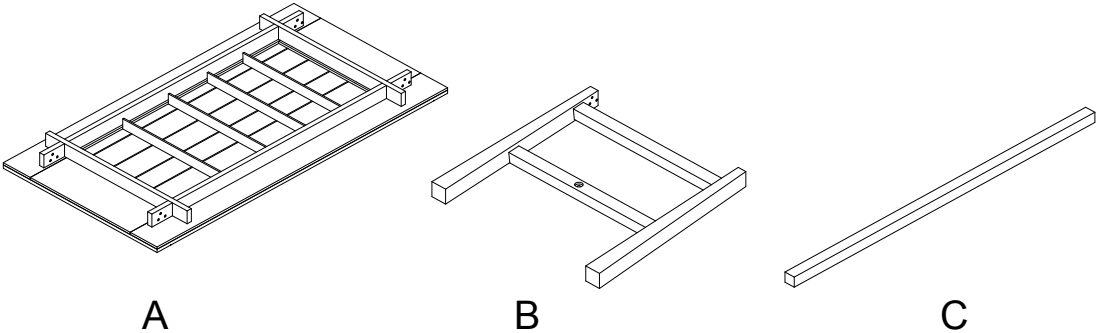


—HH

Part	Description	Quantity
AA	Long Bolt	2
BB	Spring Washer	14
CC	Flat Washer	14
DD	Allen Wrench	1
EE	Short Bolt	12
FF	Wood Dowel	4
GG	Wood Cap	2
HH	Connecting Screw Knott	2

Pre-assembly (continued)

PACKAGE CONTENTS

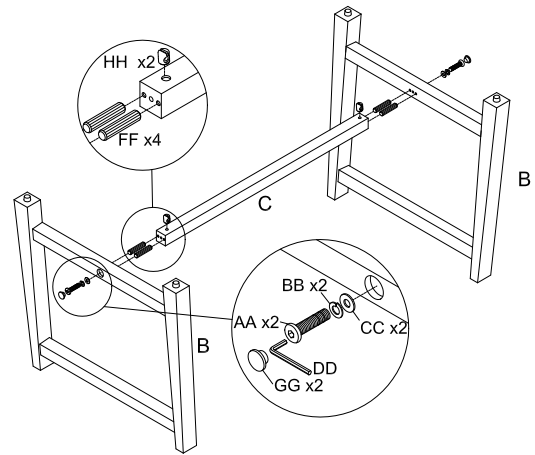


Part	Description	Quantity
A	Table Top	1
B	Legs	2
C	Support Rail	1

Assembly

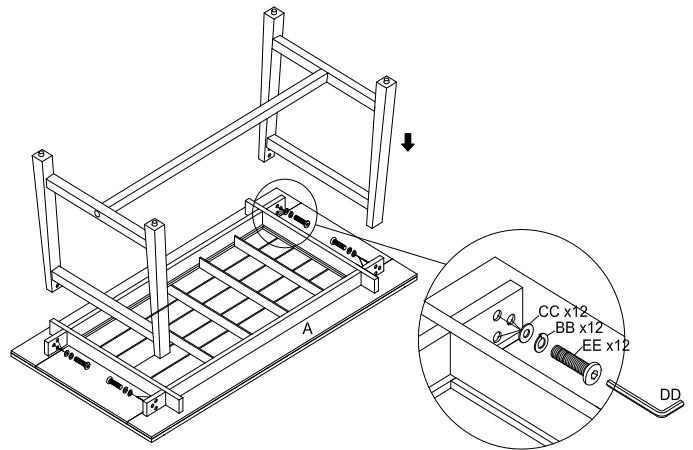
1 Assemble Support Rail with Legs

- Input Wood Dowels (FF) in Support Rail (C). **Apply on both sides, four times total.**
- Align the hole of the Connecting Screw Knott (HH) with the hole of Support Rail (C). **Apply on both sides.**
- Attach Long Bolt (AA) through Spring Washer (BB) and Flat Washer (CC). Use Allen Wrench (DD) to tighten and assemble Legs (B) and Support Rail (C) together. Cover with Wood Cap (GG). **Apply on both sides.**



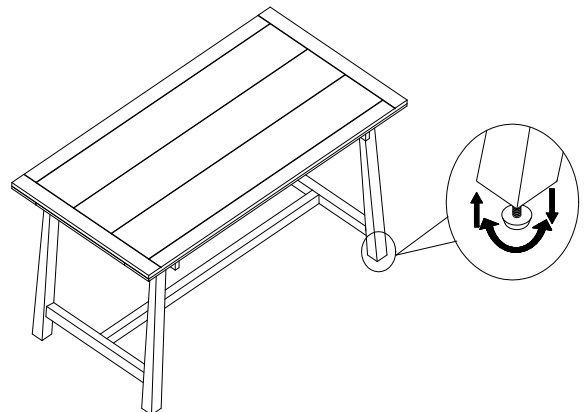
2 Assemble Table Base with Table Top

- Attach Short Bolt (EE) through Spring Washer (BB) and Flat Washer (CC). Use Allen Wrench (DD) to tighten and assemble Table Top (A) and Legs (B) together. **Apply on four sides, twelve times total.**



3 Adjusting the Height of Table

- Twist the pre-installed leveler to adjust the height of the table.



Maintenance

- In the event that your furniture is stained or otherwise damaged during use, we recommend that you call a professional to repair your furniture.
- Check bolts/screws periodically and tighten them if necessary.

Care and Cleaning

- Use a soft, clean cloth that will not scratch the surface when dusting.
- Using solvents of any kind on your furniture may damage the finish.
- Use of furniture polishes is not necessary.
- Never use water to clean your furniture, as it may cause damage to the finish.
- Liquid spills should be removed immediately. Use a soft and clean cloth to blot the spill gently. Avoid rubbing.
- Use of furniture polishes is not necessary.
- Avoid placing furniture directly under windows.

StyleWell™

**Questions, problems, missing parts?
Before returning to the store, call Customer Service
8 a.m. – 7 p.m., EST, Monday – Friday, 9 a.m. – 6 p.m., EST, Saturday**

1-877-527-0313

HOMEDEPOT.COM

Retain this manual for future use.