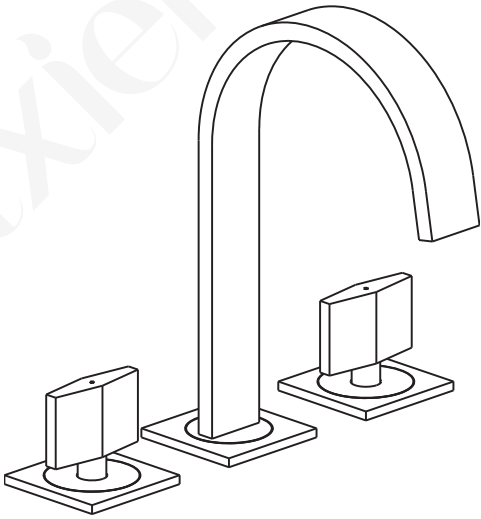


## Widespread Two Handles Lavatory Faucet

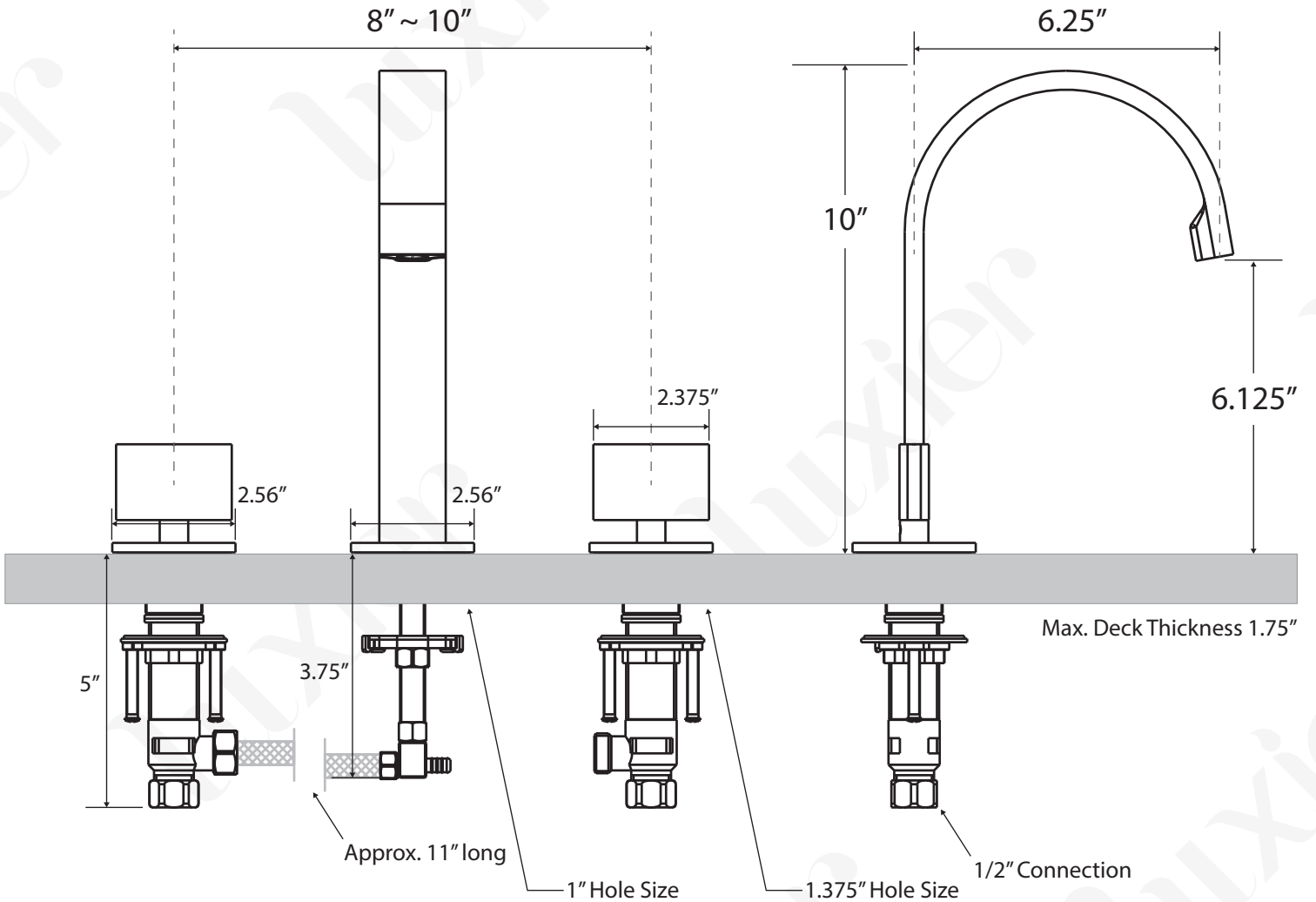


Model Number:

WSP05-TB  
WSP05-TC

Features:

- Three Hole Installation
- Brass and Zinc Construction
- Drip Free 1/4 Turn Ceramic Cartridge
- Neoperl aerator
- Maximum flow rate 1.2 gpm at 60 psi
- Complies with:
  - EPA WaterSense
  - ANSI / ASME A112.18.1
  - IAPMO / UPC / cUPC
  - CA AB-1953
  - ADA
  - NSF 61-9



\* Drawing not to scale. All Measurements are approximate\*