

# LG SIGNATURE

## DL\* X9500K QUICK INSTALL & CLEARANCES

For full installation directions/clearances please refer to the corresponding User Manual and Installation Guide.

### DIMENSIONS/CLEARANCES/WEIGHTS

A	Width	29"
B	Height	40-7/8"
C	Depth	33-3/8"
D	Depth with door open	56"
Carton (WxHxD)		31-5/16" x 44-15/16" x 35-5/8"
Weight (Product/Carton) Electric		157.4 lbs / 177.2 lbs
Weight (Product/Carton) Gas		160.7 lbs / 180.5 lbs

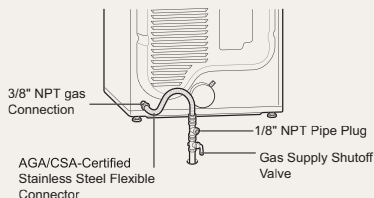
### POWER SOURCE

Ratings	CSA Listed
Electrical Requirements	120V, 15 Amps (Gas) / 240V, 30 Amps (Electric)
Type	Gas / Electric
BTU	20,000



### CONNECTING THE GAS SUPPLY

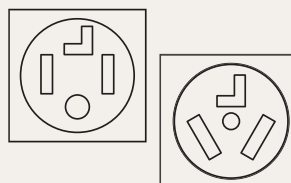
- Installation and service must be performed by a qualified installer, service agency, or the gas supplier.
- Use only a new stainless steel flexible connector and a new AGA-certified connector.
- A gas shutoff valve must be installed within 6 ft. (1.8 m) of the dryer.
- The dryer is configured for natural gas when shipped from the factory. Make sure that the dryer is equipped with the correct burner nozzle for the type of gas being used (natural gas or propane gas).
- If necessary, the correct nozzle (for the LP nozzle kit, order part number 383EEL3002D) should be installed by a qualified technician and the change should be noted on the dryer.



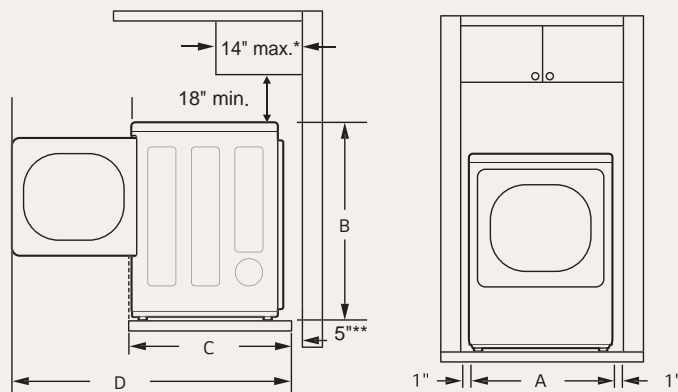
- All connections must be in accordance with local codes and regulations. Gas dryers MUST exhaust to the outdoors.

### CONNECTING ELECTRIC DRYERS

- A **4-wire connection** is required for all mobile and manufactured home installations, as well as all new construction **after January 1, 1996**.
- A **3-wire connection is NOT permitted** on new construction **after January 1, 1996**.
- A UL-listed strain relief is required.
- Use a 30-amp, 240-volt, 4-wire, UL-listed power cord with #10 AWG-minimum copper conductor and closed loop or forked terminals with upturned ends.



### DIMENSIONS / CLEARANCES



\* Required spacing

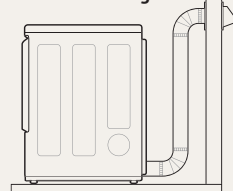
\*\* For side or bottom venting, 2-inch (5.1 cm) of spacing is allowed.

### VENTING / DUCTWORK

**NOTE:** Follow the guidelines below to maximize drying performance and reduce lint buildup and condensation in the ductwork. Ductwork and fittings are NOT included and must be purchased separately.

- Use 4-inch (10.2 cm) diameter rigid, semi-rigid or flexible metal ductwork.
- The exhaust duct run should be as short as possible.
- Use as few elbow joints as possible.
- The male end of each section of exhaust duct must point away from the dryer.
- Use duct tape on all duct joints.
- Insulate ductwork that runs through unheated areas in order to reduce condensation and lint buildup on duct surfaces.
- Incorrect or inadequate exhaust systems are not covered by the dryer warranty. Dryer failures or service required because of such exhaust systems will not be covered by the dryer warranty.

#### Correct Venting



#### Incorrect Venting



Wall Cap Type	Number of 90° Elbows	Maximum length of 4-inch diameter rigid metal duct
Recommended	0	65 ft.(19.8 m)
	1	55 ft.(16.8 m)
	2	47 ft.(14.3 m)
	3	36 ft.(11.0 m)
Use only for short run installations	4	28 ft.(8.5 m)
	0	55 ft.(16.8 m)
	1	47 ft.(14.3 m)
	2	41 ft.(12.5 m)
b: 2.5" (6.35 cm)	3	30 ft.(9.1 m)
	4	22 ft.(6.7 m)

- Ductwork is not provided with the dryer. You should obtain the necessary ductwork locally. The vent hood should have hinged dampers to prevent backdraft when the dryer is not in use.
- The total length of flexible metal duct must not exceed 8 ft. (2.4 m).
- Deduct 6 ft. (1.8 m) for each additional elbow. Do not use more than four 90° elbows.