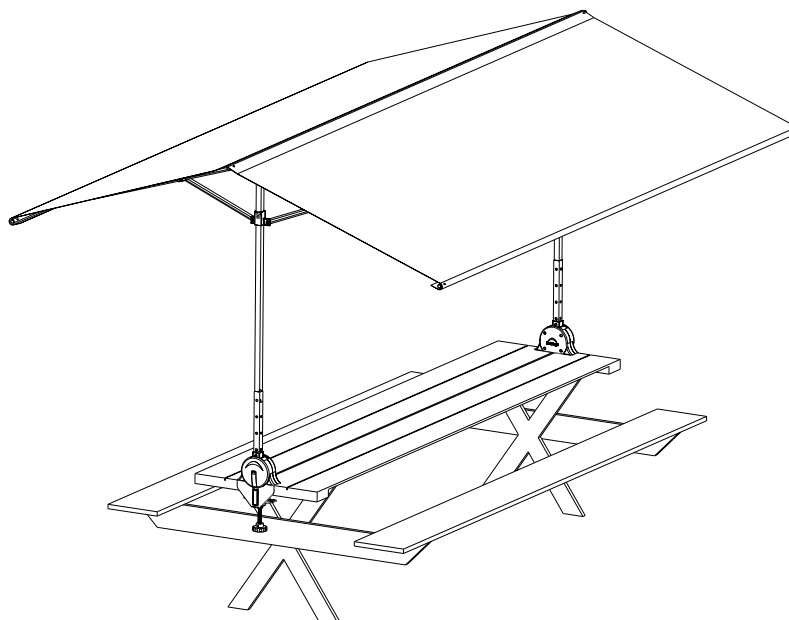


# ShadeLogic™

## Quick Clamp Canopy Tilt-Mount™ Table Top Pop Up Assembly Instructions



**FITS ANY TABLE UP TO 10'**  
*TABLE NOT INCLUDED*

DESCRIPTION	MODEL #
7'4" x 10' Quick Clamp Canopy™	14553

Please read instructions **COMPLETELY** before assembly.  
THIS IS A TEMPORARY STRUCTURE AND NOT RECOMMENDED AS A PERMANENT STRUCTURE.

Before you start: 2+ individual recommended for assembly, approximate time 15 min.

### **WARNING**

**KEEP ALL FLAME AND HEAT SOURCES  
AWAY FROM THIS TENT FABRIC**

This canopy meets the flammability requirements of CPAI-84. It is not fire proof. The fabric may burn if left in continuous contact with any flame source. The application of any foreign substance to the tent fabric may render the flame resistant properties ineffective.



150 Callender Road  
Watertown, CT 06795  
www.shelterlogic.com

**1-800-524-9970**

Canada:  
**1-800-559-6175**

**ATTENTION:**

This Shade/Canopy product is made with the highest quality material available. **ShelterLogic™** Quick Clamp Canopy offers protection from sun, light rain, tree sap, animal - bird excrement and light snow. **Quick Clamp Canopy™** is designed to fit most tables or bleachers made of wood, hard resin plastic, aluminum, steel, or thick pressboard up to 10' wide. **DO NOT INSTALL PRODUCT TO GLASS TOP TABLES, LIGHT SMALL TABLES, OR BREAKABLE SURFACES.** Please read and fully understand the installation details and warnings prior to final assembly.

**DANGER:**

Choose the location of your Canopy carefully. **DANGER: Keep away from electrical wires.** Check for overhead utility lines, tree branches or other structures. **DO NOT** install near roof lines or other structures that could shed snow, ice or excessive run off onto your Canopy. **DO NOT** hang objects from the roof.



**WARNING:**

Risk of fire. **DO NOT** smoke or use open flame devices (including grills, fire pits, deep fryers, smokers or lanterns) in or around the canopy. **DO NOT** store flammable liquids (gasoline, kerosene, propane, etc.) in or around your Canopy. Do not expose Canopy to open fire or other flame source.



**CAUTION:**

**PROPER ANCHORING OF THE FRAME IS THE RESPONSIBILITY OF THE CONSUMER.**

**ShelterLogic®** is not responsible for damage to the Canopy or the contents stored underneath. Any Canopy that is not anchored securely has the potential to fly away causing damage. **ShelterLogic®** cannot be responsible for any Canopy that blows away. **NOTE: Your Canopy's frame and cover can be quickly collapsed and stored prior to severe weather conditions.** If strong winds or severe weather is forecast in your area, we recommend collapsing the frame and removing the cover and storing the unit. Check with your insurance carrier for any damage as you would for any other outdoor structure or personal property claims.

**CARE AND CLEANING:**

Immediately remove any accumulated rain water, snow or ice from the roof structure with a broom, mop or other soft-sided instrument. **DO NOT** use bleach or harsh abrasive products to clean the fabric cover. Cover can be easily cleaned with mild soap and water. **DO NOT** use hard-edged tools or instruments like rakes or shovels. This could result in punctures to the cover.

**WARRANTY:**

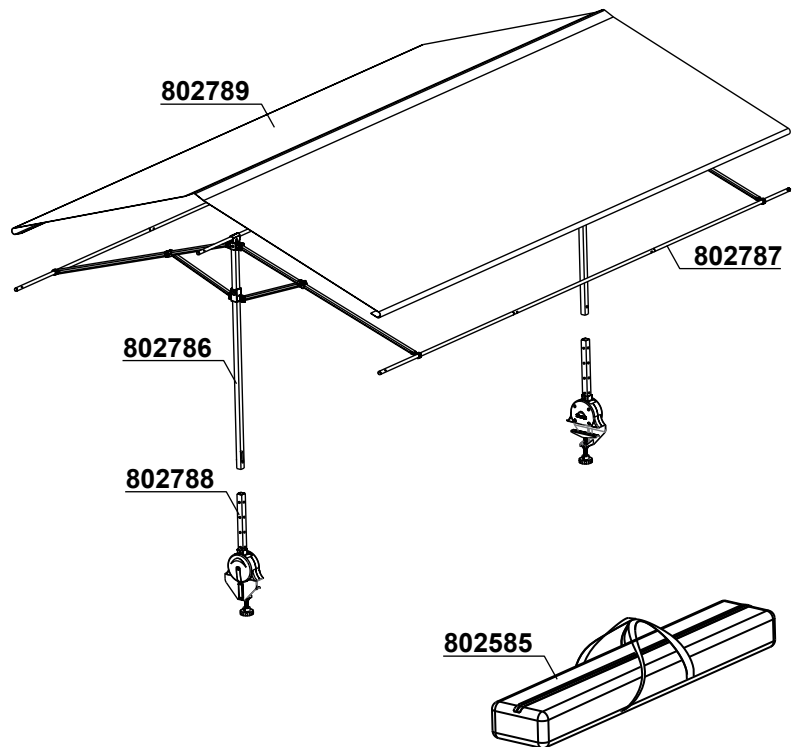
This Canopy carries a full limited warranty against defects in workmanship. **ShelterLogic, LLC** warrants to the Original Purchaser that if properly used and installed, the product and all associated parts, are free from manufacturer's defects for a period of:

**1 YEAR FOR COVER FABRIC, END PANELS AND FRAMEWORK**

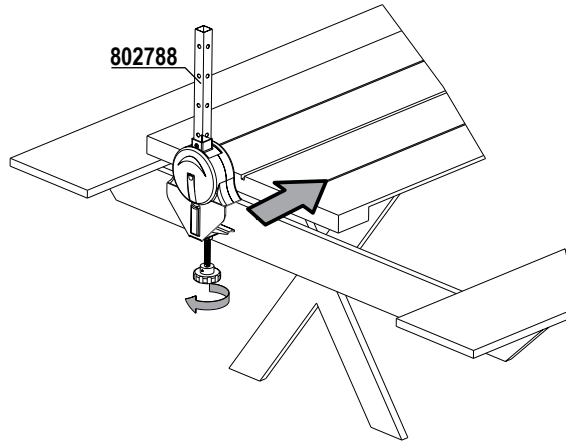
Warranty period is determined by date of shipment from **ShelterLogic, LLC** for factory direct purchases or date of purchase from an authorized reseller, (please save a copy of your purchase receipt). If this product or any associated parts are found to be defective or missing at the time of receipt, **ShelterLogic®** will repair or replace, at it's option, the defective parts at no charge to the original purchaser. Replacement parts or repaired parts shall be covered for the remainder of the Original Limited Warranty Period. All shipping costs will be the responsibility of the customer. Parts and replacements will be sent C.O.D. You must save the original packaging materials for shipment back. If you purchased from a local dealer, all claims must have a copy of original receipt. Check with your insurance carrier for any damage as you would for any other outdoor structure or personal property claim. After purchase, please fill out and return warranty card for product registration. Please see warranty card for more details.

**OVERVIEW OF CANOPY**

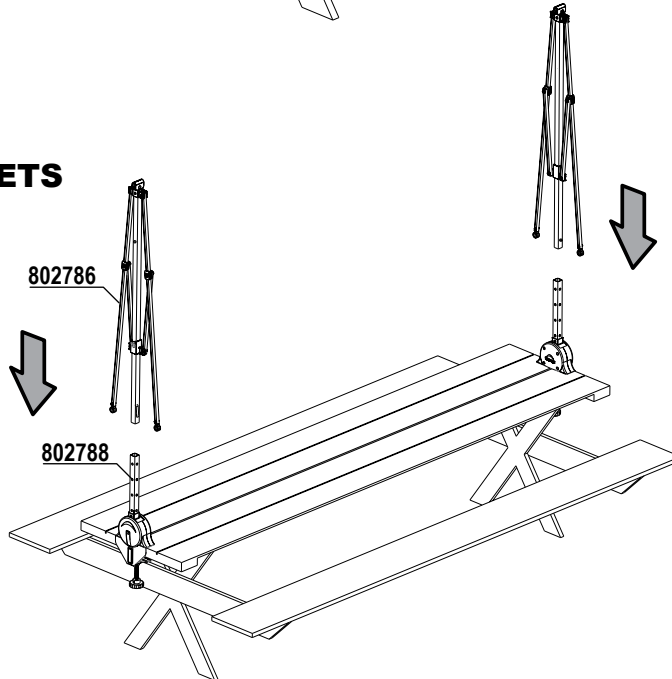
Description of Parts:	Quantity	Part #
Upright Assembly	2	802786
Cross Rail Assembly	3	802787
Cover	1	802789
Tilt Mount Clamp	2	802788
Carry Bag	1	802585



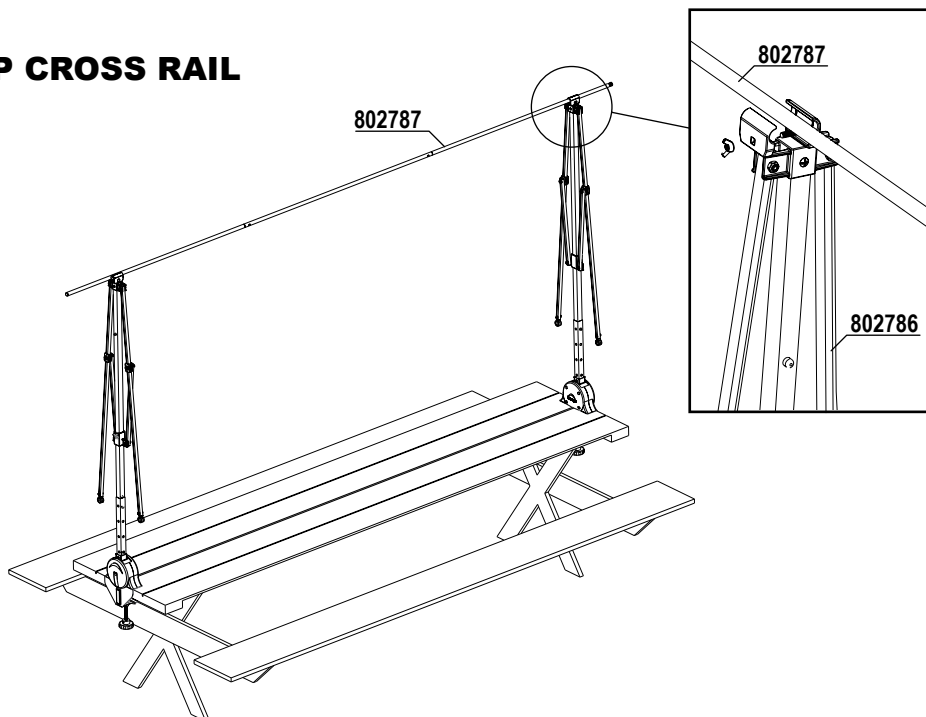
**1. ATTACH QUICK CLAMP BRACKETS, 1 ON EACH SIDE**



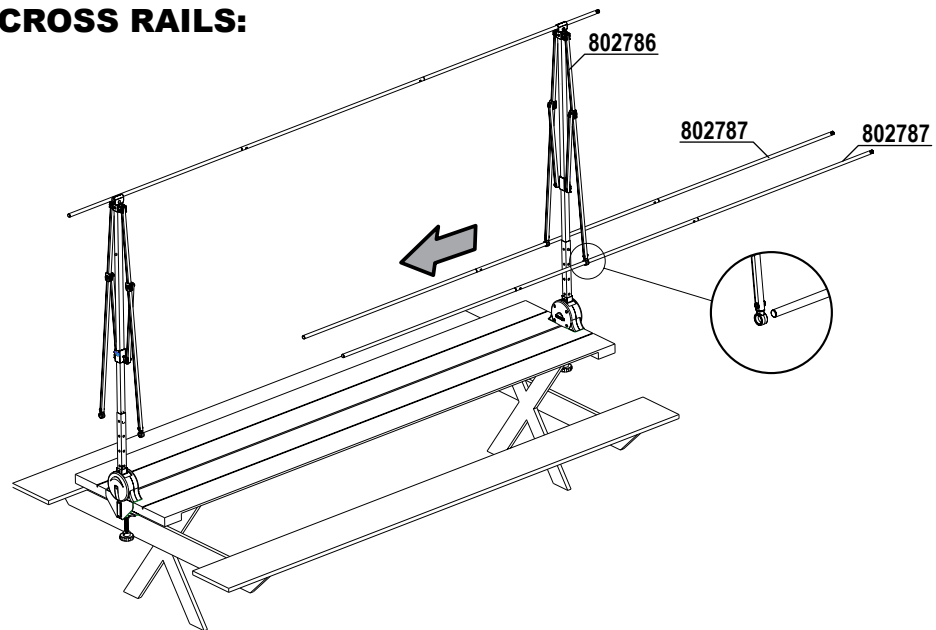
**2. INSERT FRAME UPRIGHTS INTO QUICK CLAMP BRACKETS**



**3. ATTACH TOP CROSS RAIL**

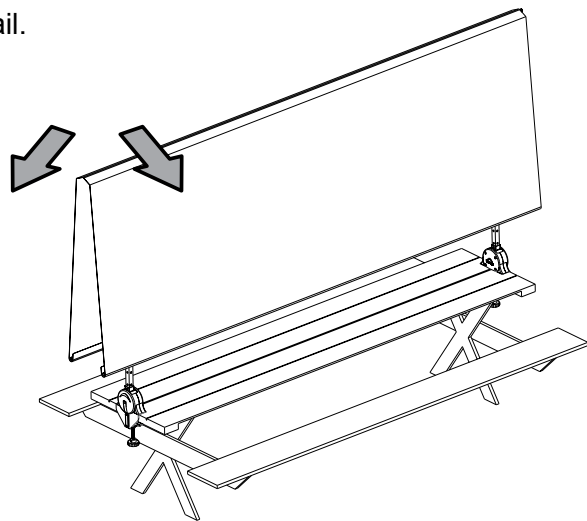
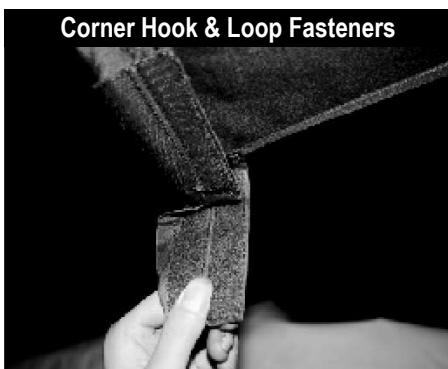


#### 4. INSERT BOTTOM CROSS RAILS:



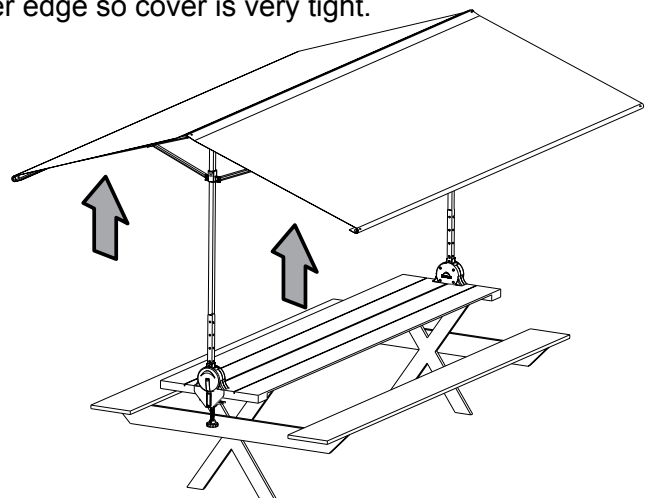
#### 5. PULL COVER OVER FRAME AND SECURE:

Pull cover over frame. Fasten corners of cover and top rail.



#### 6. LIFT COVER ARMS TO UPRIGHT POSITION

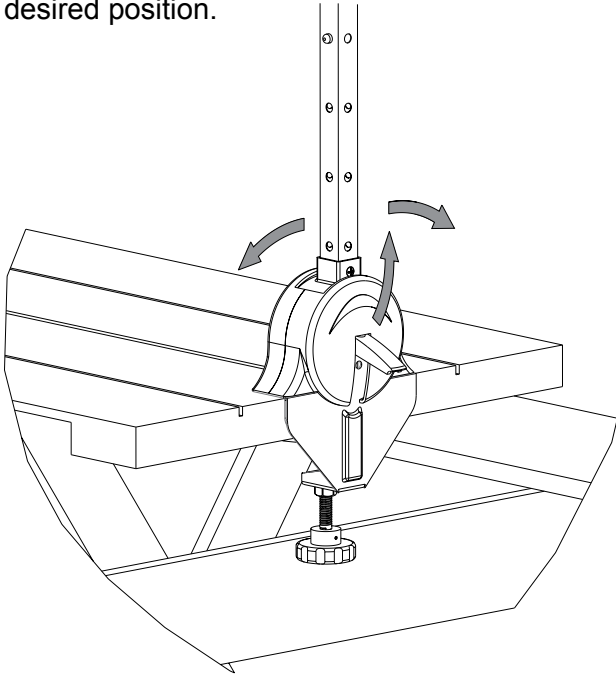
Extend the frame to the fully open position. Insert the side poles into pockets created by the hook and loop fasteners on each side. Push tightly together along cover edge so cover is very tight.



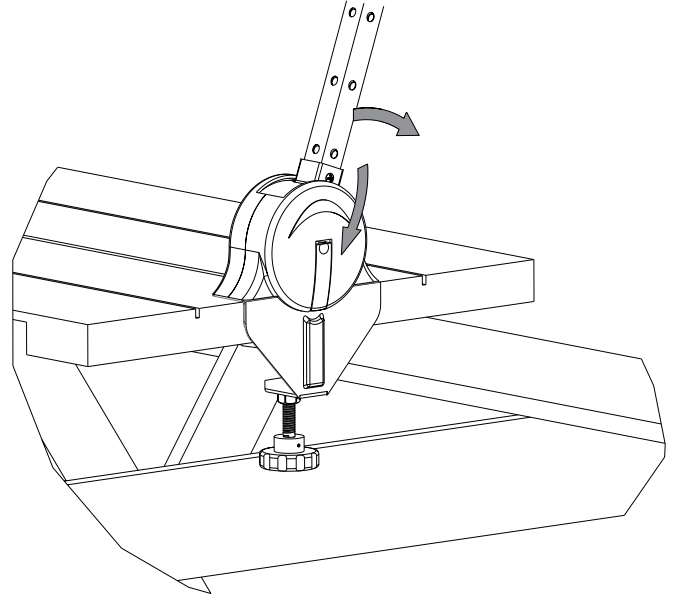
## 7. ADJUSTING YOUR TILT-MOUNT CANOPY

### A. Adjusting the angle of the base:

Lift handle to release the upright and move to desired position.



Push handle down to lock the upright in place.  
**CAUTION: Do not force handle**



### B. Adjusting height of the canopy:

Push pop-pin in and slide the upright to the desired position.

