

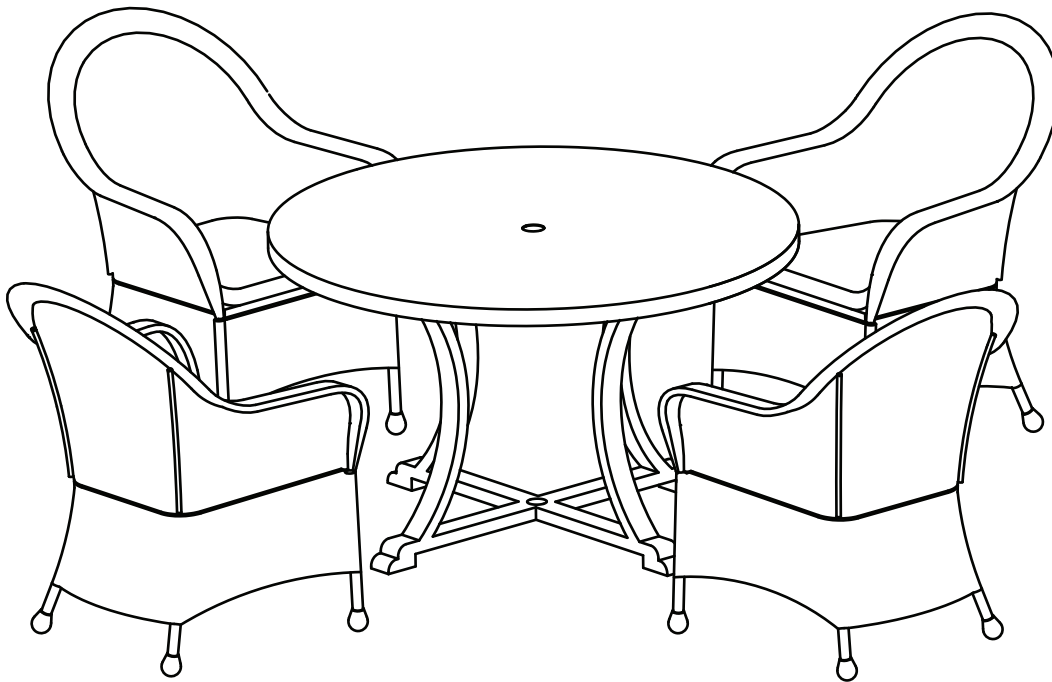


Item # 000 000 000  
Model # FRS80834-ST

## USE AND CARE GUIDE

---

### WOODINGTON 5 PIECE STEEL WICKER DINING SET



Questions, problems, missing parts? Before returning to the store  
call Royal Garden Customer Service.

6 a.m. - 9 p.m., EST, 9 a.m. - 5 p.m., PST, Monday - Friday

**(866) 988-3300**

**WWW.ROYALGARDEN.COM**

Retain this manual for future use.

---

#### THANK YOU

*We appreciate the trust and confidence you have placed in Royal Garden through the purchase of this dining set. We strive to continually create quality products designed to enhance your home. Visit us online to see our full line of products available for your home improvement needs. Thank you for choosing Royal Garden!*

# Table of Contents

Table of Contents.....	2	Pre-Assembly .....	3
Important Safety Instructions .....	2	Planning Assembly.....	3
Save These Instructions .....	2	Hardware included.....	3
Read All Instructions Before Use .....	2	Dining Chair Packaging Contents.....	4
Warranty .....	3	Table Packaging Contents .....	5
What is Covered .....	3	Chair Assembly .....	6
What is Not Covered .....	3	Table Assembly .....	8
		Care and Cleaning.....	10

## Important Safety Instructions

### SAVE THESE INSTRUCTIONS



**WARNING:** This dining set was made for the explicit purpose of providing outdoor functions and is not to be used as a toy. This product is intended for normal outdoor use; however, the manufacturer recommends storing and / or covering this set when any formidable / severe weather is approaching.



**WARNING:** Do not locate this product near open flames. Do not use this product as a support. Do not shake, lean or climb on the product. Children under the age of 10, near the product, should be supervised by a competent adult at all times. This product is NOT intended for commercial use and will void the warranty.

### READ ALL INSTRUCTIONS BEFORE USE

To reduce the risk of injury to persons:

1. Close supervision is necessary when this product is used by or near children, or disabled persons, if applicable.
2. Use this product only for its intended use as described in these instructions. Do not use attachments not recommended by the manufacturer.
3. Do not move the chairs while the chairs are occupied. Failure to obey this caution could result in injury.
4. This table is not intended to support an umbrella. Umbrellas must have a suitable base or stand.



**WARNING:** Weight limit for the chairs is 250 lbs (113.39 kg) for each seat.



**WARNING:** This dining set is heavy, and may require two adults for safe assembly.



**WARNING:** Do not place more than 125 lbs of objects on the table top.



**WARNING:** Do not place heavy objects on the chair.



**CAUTION:** When not in use, secure the product in a cool and covered location.

# Warranty

## 2 YEAR FRAME AND 2 YEAR FABRIC LIMITED WARRANTY

### WHAT IS COVERED

We warrant the frames to be free of manufacturing defects to the original purchaser for two years, and a two year limited warranty for the fabric.

### WHAT IS NOT COVERED

It remains the customer's responsibility for freight and packaging charges to and from our service center. This warranty does not cover commercial use, hardware, acts of nature, fire, freezing and abusive use. In addition, purchased parts are not covered under this warranty. We reserve the right to make substitutions with similar merchandise, if the model in question is no longer in production.

Contact the Customer Service Team at 1-855-HD-HAMPTON or visit [www.HamptonBay.com](http://www.HamptonBay.com).

# Pre-Assembly

## PLANNING ASSEMBLY

Read all instructions before assembly.

To avoid damaging this product, assemble it on a soft, non-abrasive surface such as carpet or cardboard.

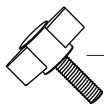


**NOTE:** More than one person may be required to assemble this product.

## HARDWARE INCLUDED



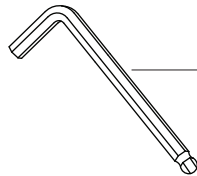
**NOTE:** Hardware not shown to actual size.



AA



BB

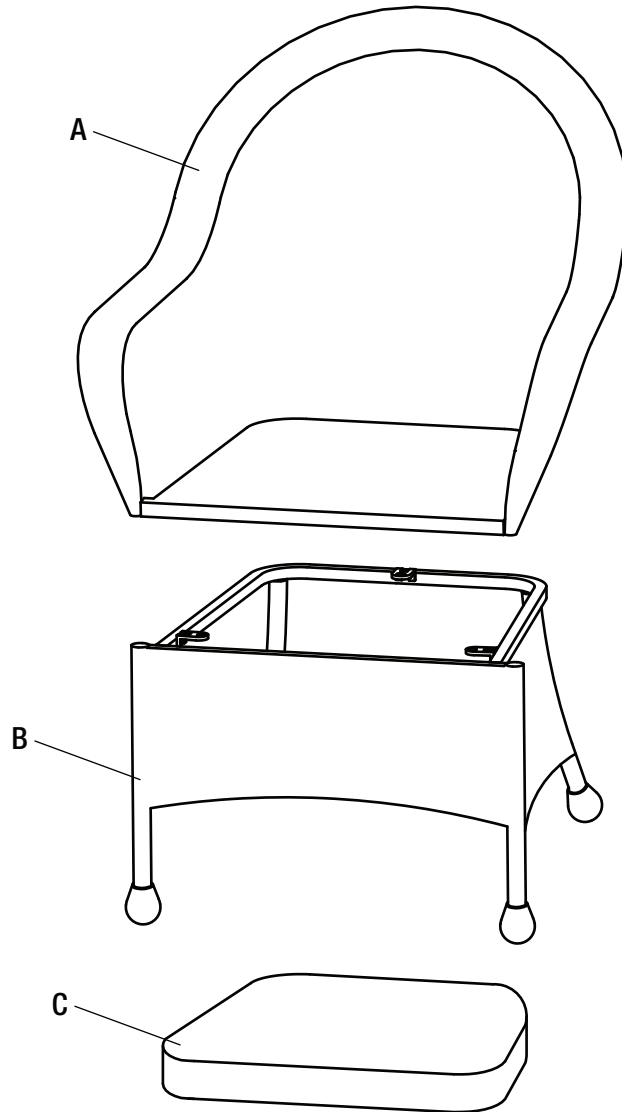


CC

Part	Description	Quantity
AA	Hand knob	12+1
BB	M6x15 combination bolt	10+1
CC	Hex wrench	1

# Pre-Assembly (continued)

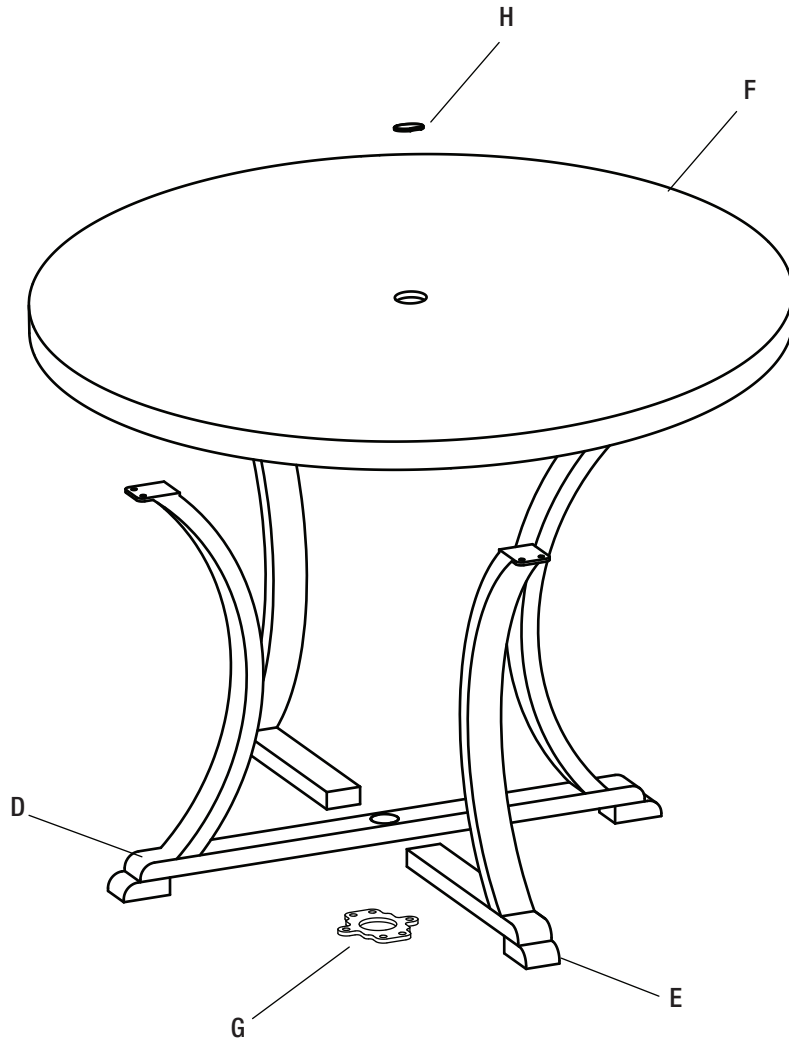
## DINING CHAIR PACKAGE CONTENTS



Part	Description	Quantity
A	Chair seat	4
B	Chair base	4
C	Seat cushion	4

# Pre-Assembly (continued)

## TABLE PACKAGE CONTENTS

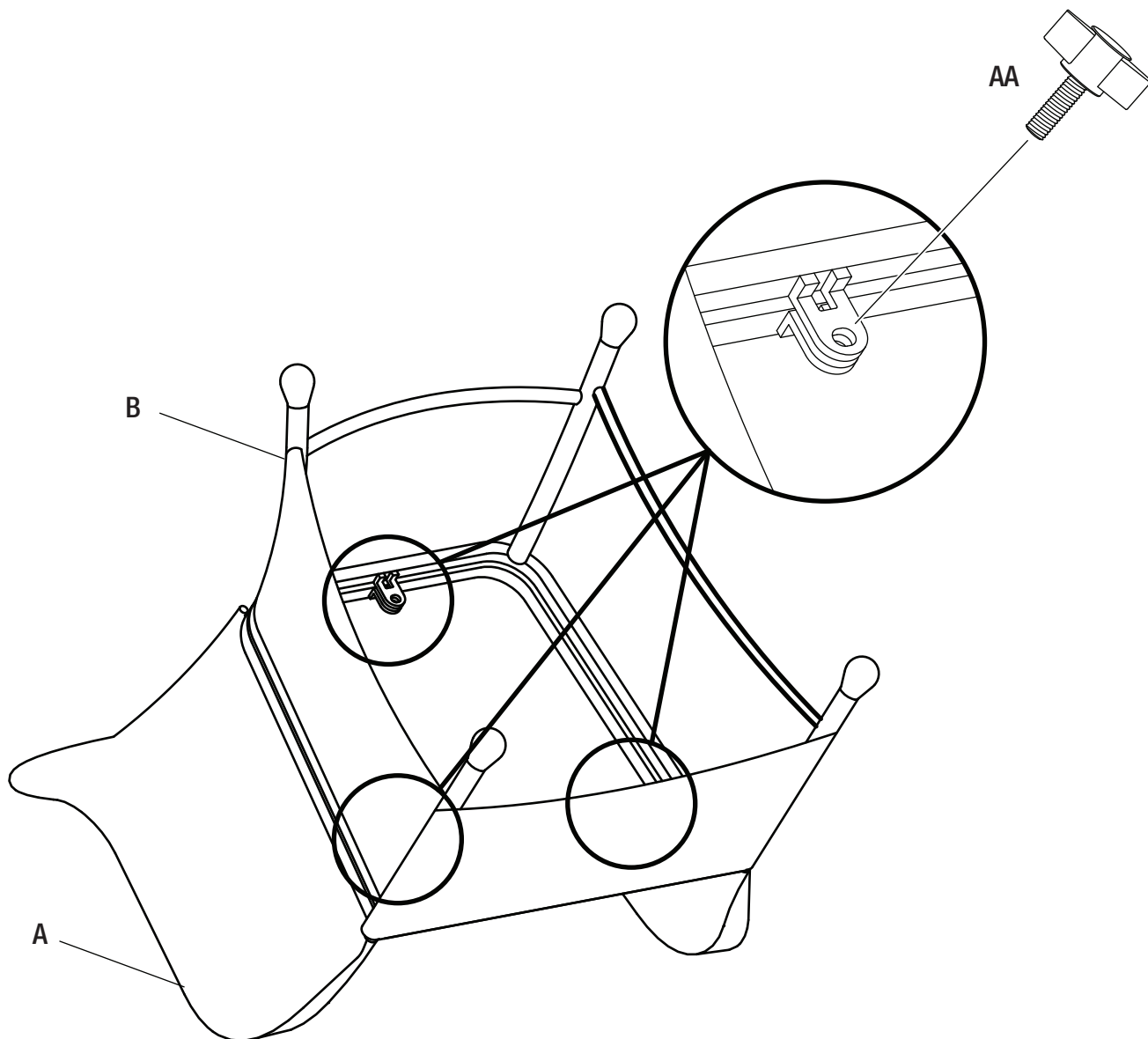


Part	Description	Quantity
D	Main table leg	1
E	Side table leg	2
F	Table top	1
G	Connection plate	1
H	Umbrella ring	1

# Chair Assembly

## 1 ATTACHING THE CHAIR SEAT TO THE CHAIR BASE

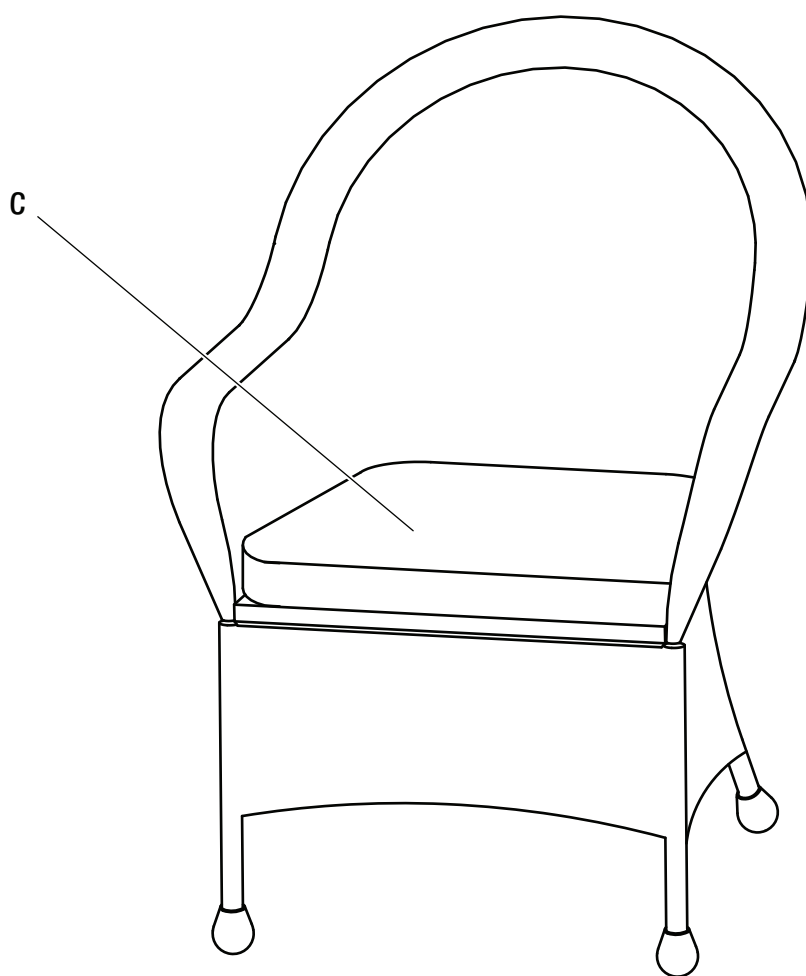
- Place the chair seat (A) upside down on a soft surface.
- Attach the chair base (B) to the chair seat (A) using hand knobs (AA).



## Chair Assembly (continued)

### 2 CHECKING THE CHAIR

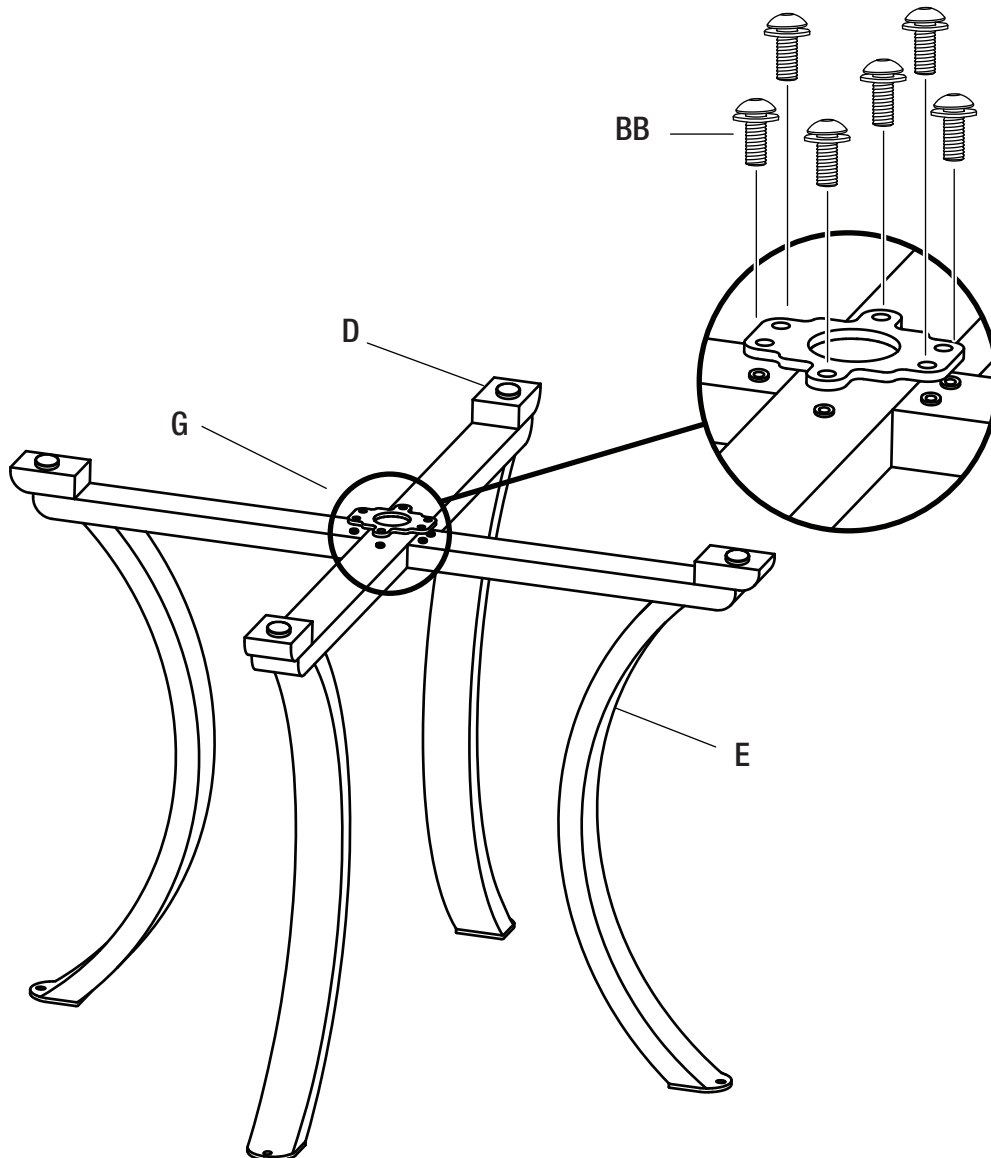
- Turn the chair right side up.
- Place the seat cushion (C) to finish the assembly of the chair.
- Ensure all connections are secure before use.



# Table Assembly

## 1 CONNECTING THE SIDE TABLE LEG TO THE MAIN TABLE LEG

- Attach the side table legs (E) to the main table leg (D) with connection plate (G) using M6x15 combination bolts (BB) and hex wrench (CC)
- Do not tighten all bolts at this step.

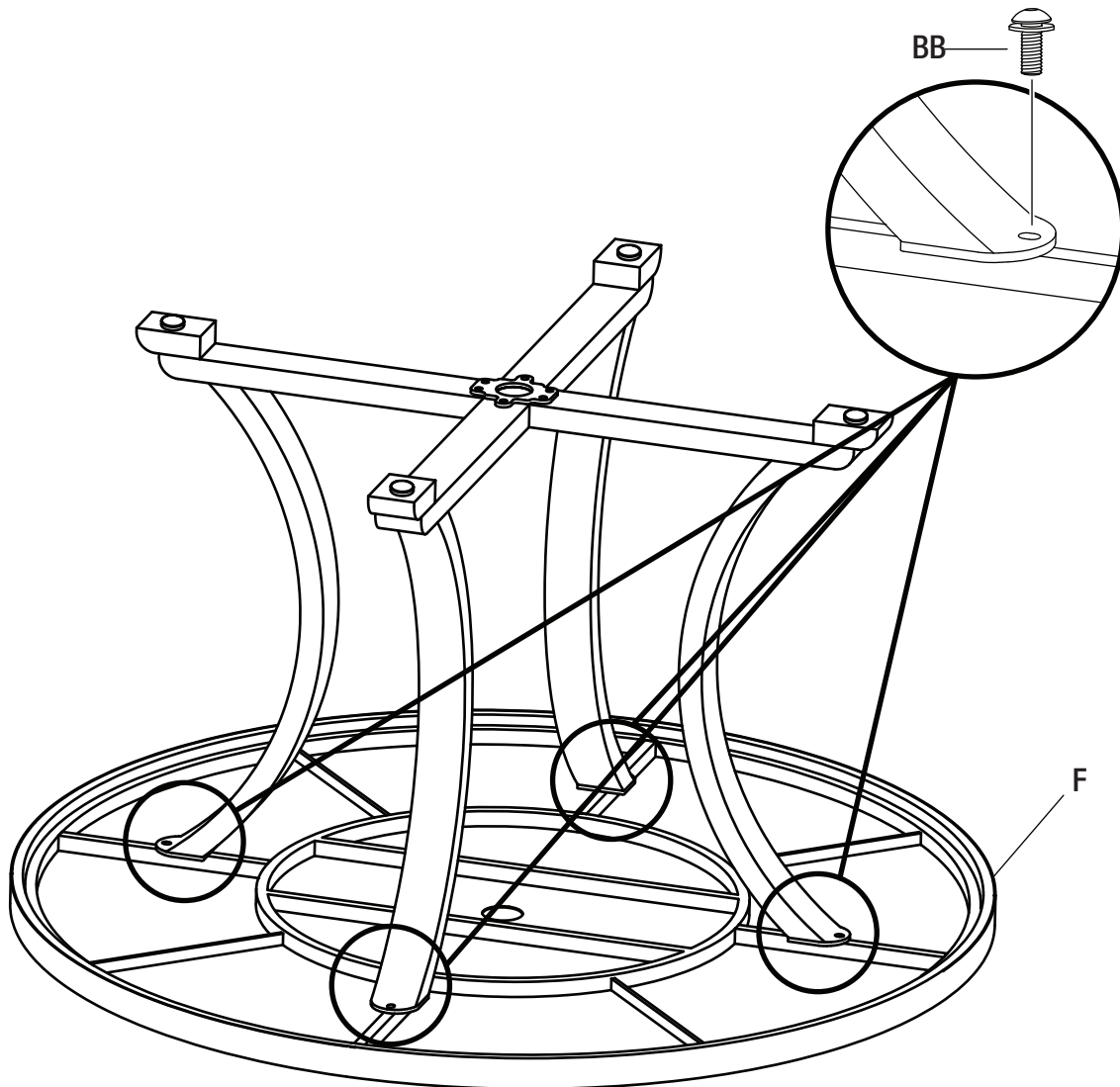




## Table Assembly (continued)

### 2 ATTACHING THE TABLE LEG TO THE TABLE TOP

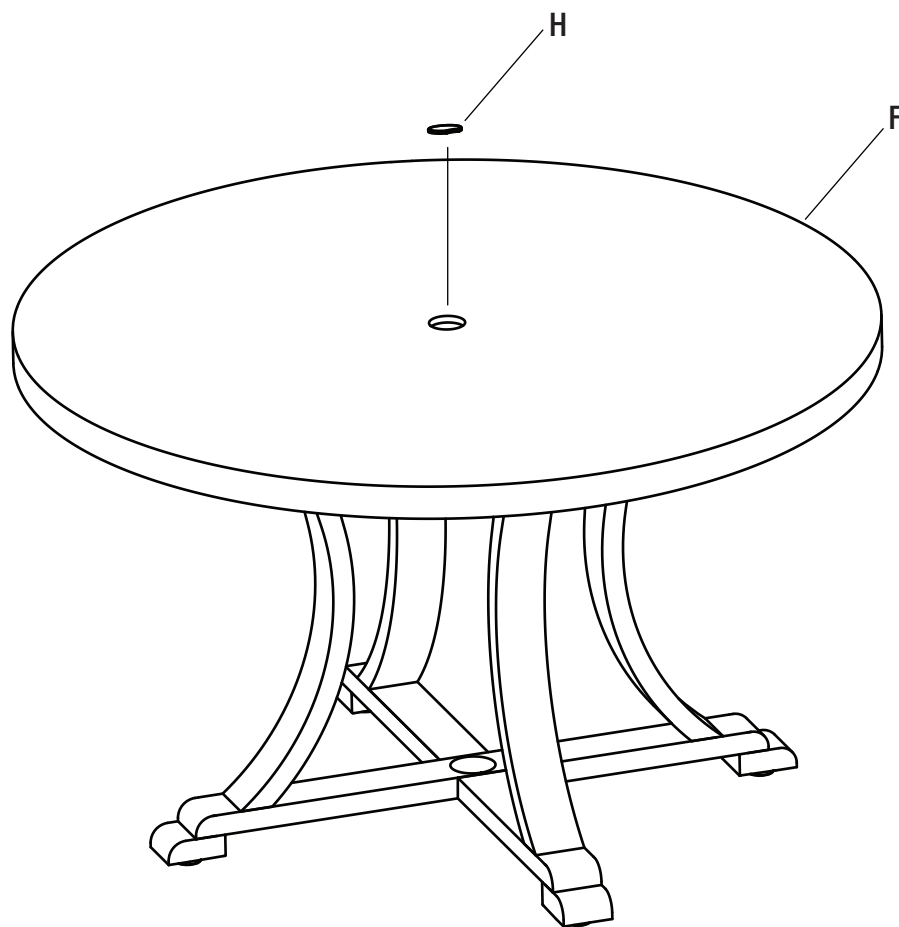
- Attach the table leg (D&E) to the table top (F) using M6x15 combination bolts (BB) and hex wrench (CC).
- Do not tighten the bolts at this step.



## Table Assembly (continued)

### 3 CHECKING THE TABLE

- Once all of the bolts are in place, fully tighten all the bolts using hex wrench (CC).
- Turn the table right side up.
- Put the umbrella ring (H) on the table top (F).
- Ensure that all connections are secure before use.



## Care and Cleaning

- For best results, clean the frame and cushions with a damp cloth and dry thoroughly. This will help prevent mildew by removing dirt particles that may accumulate.
- Do not clean with abrasive materials, bleach or solvents.
- Store the table and chairs in a dry sheltered place when not in use.
- Keep the seating set away from fire, extreme heat, freezing conditions, and inclement weather such as rain, hail, sleet, snow, or wind.



Questions, problems, missing parts? Before returning to the store  
call Royal Garden Customer Service.  
6 a.m. - 9 p.m., EST, 9 a.m. - 5 p.m., PST, Monday - Friday

**(866) 988-3300**

**WWW.ROYALGARDEN.COM**

Retain this manual for future use.

For certification use only
Factory chair ID # FRS80834 Factory table ID # FTS81019D