

RS22HDHPNSR

22 cu. ft. Counter Depth Side-by-Side Refrigerator with In-Door Ice Maker

Features

- 22 cu. ft. Capacity in Counter Depth Category
- Premium External Filtered Water and Ice Dispenser
- Automatic In-Door Ice Maker
- ENERGY STAR® Compliant
- LED Tower Lighting
- Twin Cooling Plus™
- Multi Air Flow
- Six Temperature Sensors
- Power Freeze and Power Cool Options
- Tempered Glass Spill-Proof Shelves

Convenience

- Dispenser Light
- Door Alarm
- Water Filter Indicator
- Wine Rack



ENERGY STAR® Rated:
646 kWh/yr



Side-by-Side Design



Premium External Filtered Water and Ice Dispenser

Available Colors



Stainless Steel



White



Black

Signature Features

SLEEK BUILT-IN LOOK

- Stylish, counter-depth design allows for more work space in the kitchen.
- Sleek, built-in look enhances overall kitchen design.

SIDE-BY-SIDE DESIGN

- Provides easy access to food in both refrigerator and freezer compartments.

PREMIUM EXTERNAL FILTERED WATER AND ICE DISPENSER

- Get great-tasting, filtered water directly from your refrigerator. Spend less time and money buying bottled water.

TWIN COOLING PLUS™

- Keeps food fresher longer – Twin Cooling Plus™ humidity levels up to 3.6x higher than single cooling.
- Refrigerator air is kept at higher, near commercial grade humidity levels to keep perishable fruits and vegetables fresher longer.
- Drier freezer air means less freezer burn for better-tasting frozen foods.

SAMSUNG

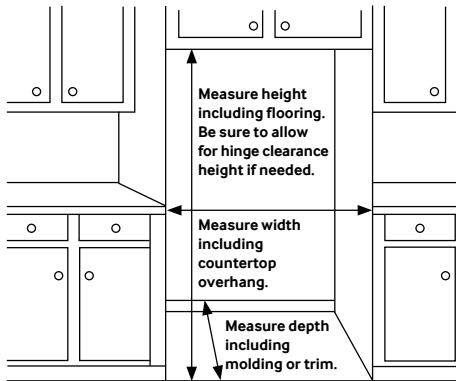
RS22HDHPNSR

22 cu. ft. Counter Depth Side-by-Side Refrigerator with In-Door Ice Maker

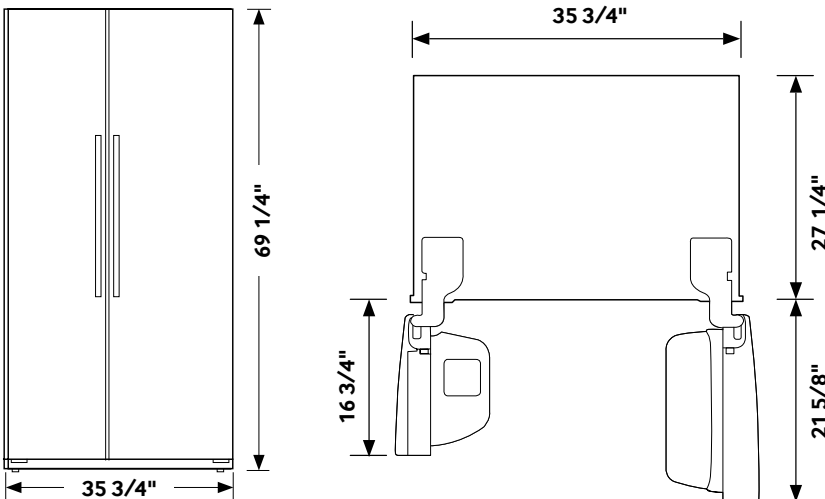
Installing Your Refrigerator

1. Measure the height, width and depth of the opening, making sure to include baseboards, molding tile, countertop overhang, etc. Check to be sure there is enough room to open the door (consider walls, islands or other obstacles when measuring).
2. Refer to illustration below to determine dimensions.
3. Allow 2" of clearance on hinge side of refrigerator when installing next to a wall where handle may make contact.
4. Allow 1" minimum clearance at rear for proper air circulation and water/electrical connections. Allow a 3/8" minimum clearance at sides and top for ease of installation.
5. Ensure each door and entry way in the home is wide enough for the refrigerator to be moved through easily.

Please note: The following dimension and cutout information is for planning purposes only. For complete installation details consult manual packed with product, or download manual on-line at samsung.com.



Dimensions



Total Capacity: 22.3 cu. ft.

Refrigerator: 14.4 cu. ft.

- 4 Tempered Glass Spill-Proof Shelves
- 6 Clear Door Bins
 - 1 Dairy Bin
 - 4 Regular Bins
 - 1 Foldable Wired Can Holder (Optional)
- 3 Clear Crispers
- LED Tower Lighting

Freezer: 7.9 cu. ft.

- 3 Tempered Glass Shelves
- 3 Clear Door Bins
- 2 Clear Drawers
- Automatic In-Door Ice Maker
- LED Tower Lighting

Accessories

Water Filter

Warranty

One (1) Year Parts and Labor on Refrigerator

Five (5) Years Parts and Labor on Sealed Refrigeration System Only*

Ten (10) Years Parts and Five (5) Years Labor on Digital Inverter Compressor

*Compressor, evaporator, condenser, drier, connecting tubing

Product Dimensions & Weight

Dimensions (WxHxD with hinges, handles and doors):
35 3/4" x 69 1/4" x 29 1/2"

Dimensions (WxHxD without hinges and door):
35 3/4" x 68 5/8" x 23 3/4"

Dimensions (WxHxD with hinge and door, no handle):
35 3/4" x 69 1/4" x 27 1/4"

Weight: 286.6 lbs.

Shipping Dimensions & Weight (WxHxD)

Dimensions: 38 5/16" x 75 1/8" x 30 5/9"

Weight: 313.06 lbs.

Color	Model #	UPC Code
Stainless Steel	RS22HDHPNSR	887276960159
White	RS22HDHPNWW	887276962207
Black	RS22HDHPNBC	887276962696

SAMSUNG

Actual color may vary. Design, specifications, and color availability are subject to change without notice. Non-metric weights and measurements are approximate.

©2014 Samsung Electronics America, Inc. 85 Challenger Road, Ridgefield Park, NJ 07660. Tel: 800-SAMSUNG. samsung.com. Samsung is a registered trademark of Samsung Electronics Co. Ltd.