

88 5080 06 Media Console

IMPORTANT NOTE

Carefully remove all the parts from the carton and put them individually on a soft cloth to prevent scratches or other damages occurring to the wood parts.

We have taken great care in the design of this product and request that you carefully and strictly follow our assembly instructions to ensure a completed product as it was designed.

*Home
Styles*

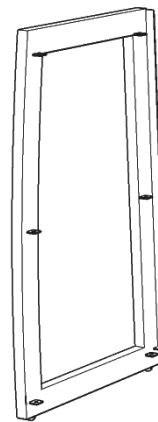


Part List

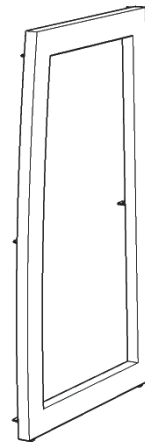


A.
Top
1 pc.

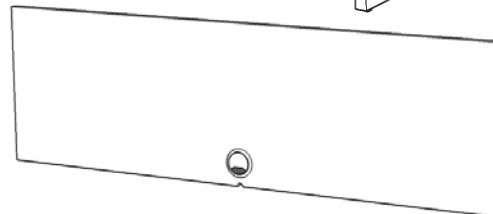
B.
Side Frame
1 pc.



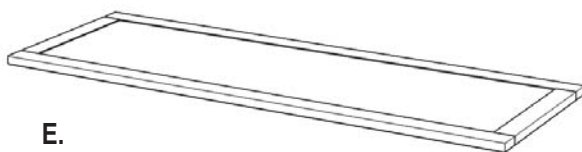
C.
Side Frame
1 pc.



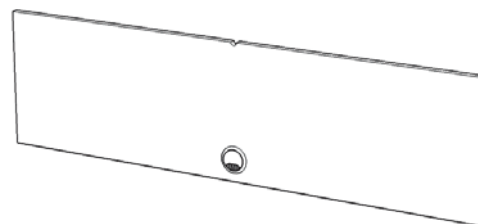
D.
Shelf
1 pc.



F.
Back Panel
1 pc.



E.
Base
1 pc.



G.
Back Panel
1 pc.

Hardware List



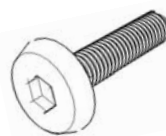
**Small
Hex Wrench**
1 pc.



Hex Wrench
1 pc.



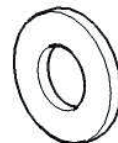
**M6x16
Head Cap Bolt (short)**
12 pcs.(+1 extra)



**M6x25
Head Cap Bolt**
1 pc.(+1 extra)



Spring Washer
1 pc.(+1 extra)



Flat Washer
1 pc.(+1 extra)



**M3.5x13
Wood Screw**
4 pcs.(+1 extra)

Tools required for assembly : Phillips screwdriver, Drill, 3/8" Drill Bit, Level

Home Styles Consumer Assistance: www.homestyles-furniture.com,
servicedesk@homestyles-furniture.com, 888-680-7460, 877-831-0319

Assembly Instructions 2/4

IMPORTANT

- * Do not tighten all the Head Cap Bolts until the entire unit is properly assembled.
- * You should keep Hex Wrench in a safe place as you may need to tighten up the Head Cap Bolts in the future.
- * Use a soft cloth between these parts and the floor.
- * After assembly, item must be level to work properly. Use the included adjustable levelers to level.

Head Cap Bolt
(short)

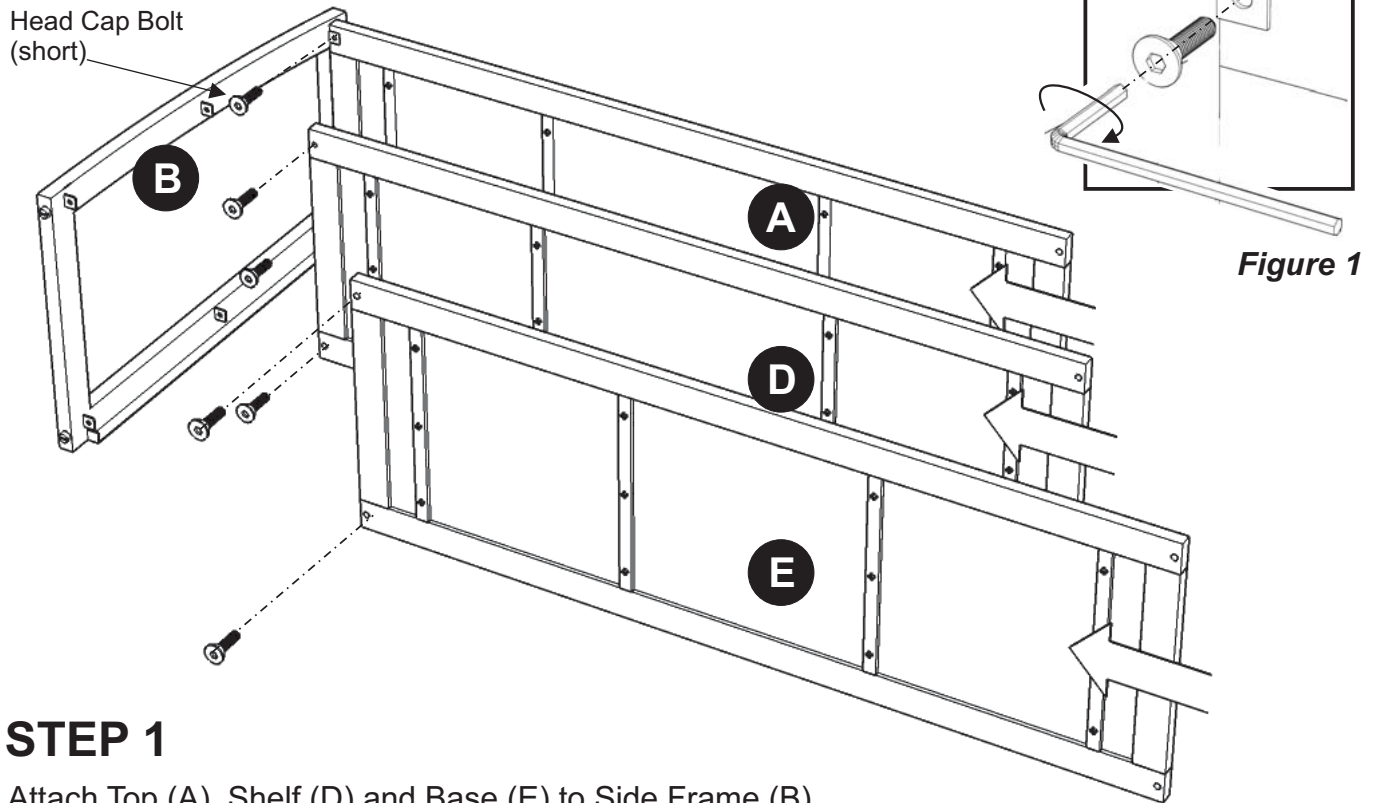
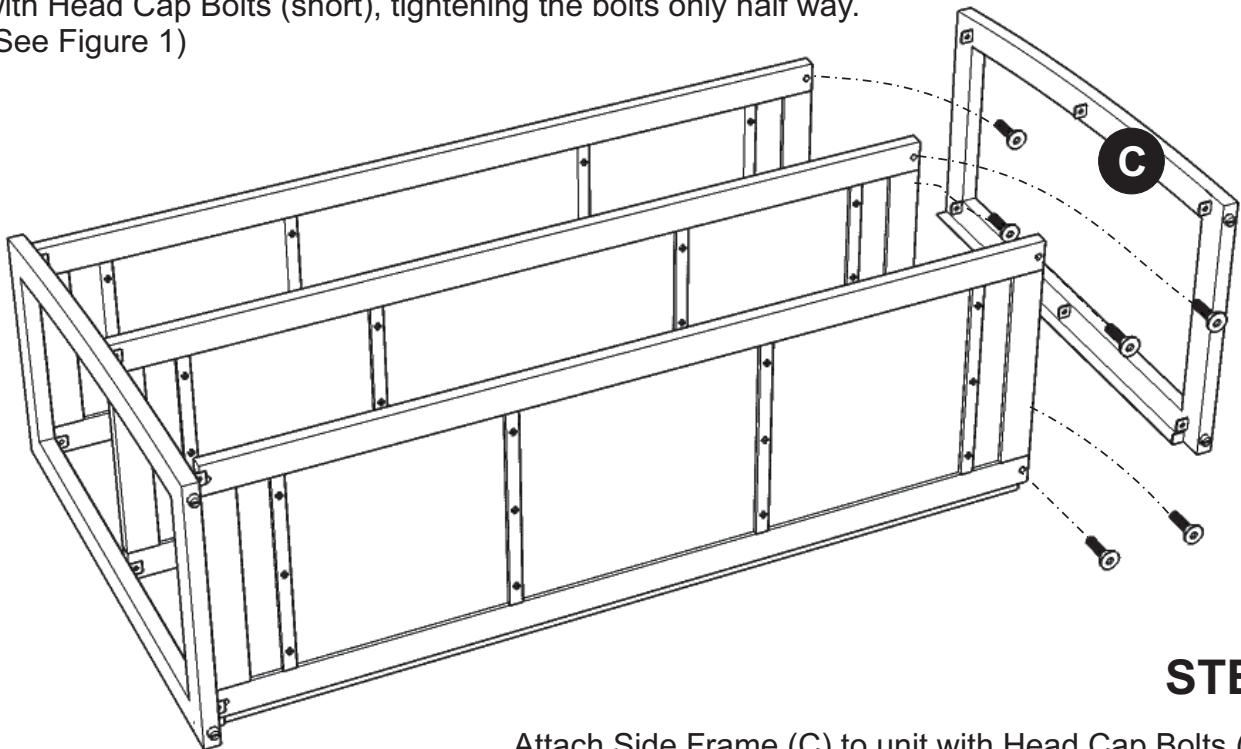


Figure 1

STEP 1

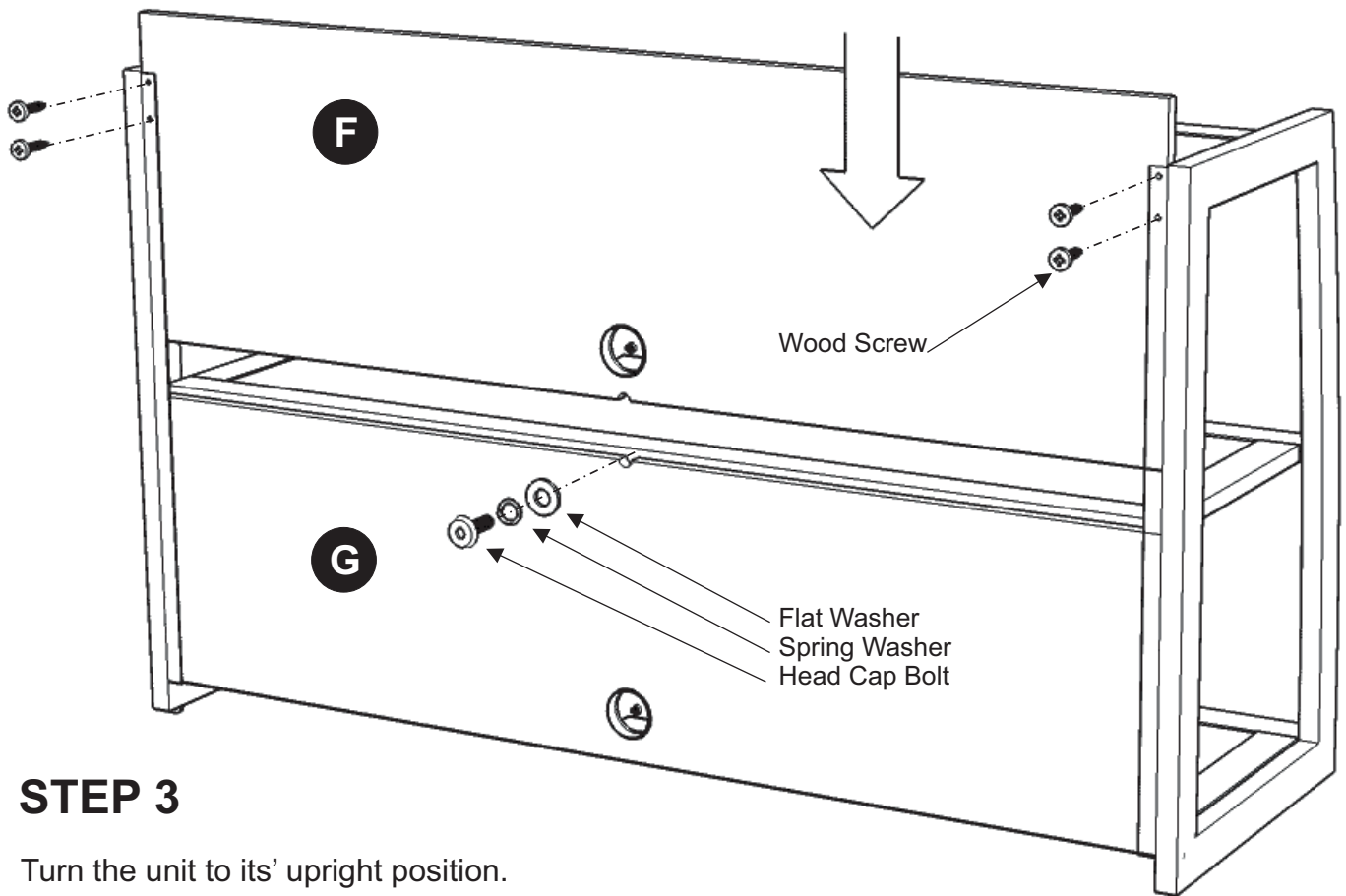
Attach Top (A), Shelf (D) and Base (E) to Side Frame (B) with Head Cap Bolts (short), tightening the bolts only half way. (See Figure 1)



STEP 2

Attach Side Frame (C) to unit with Head Cap Bolts (short), tightening the bolts only half way.

Tighten all Head Cap Bolts used in entire assembly.



STEP 3

Turn the unit to its' upright position.

Slide Back Panels (F) and (G) into place.

Attach Head Cap Bolt, Spring Washer and Flat Washer to unit. (See Figure 2)

Attach 4X Wood Screws to unit. (See Figure 3)

To level the unit, adjust the adjustable levelers on the bottom of side frames. (See Figure 4)

Note: Unit must be level to work properly.

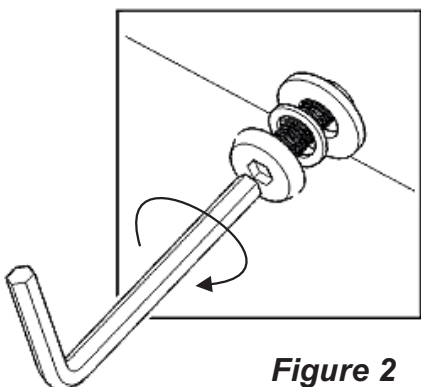


Figure 2

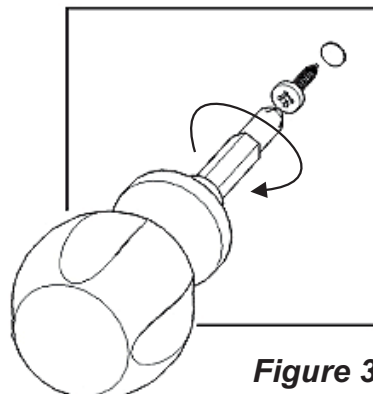


Figure 3

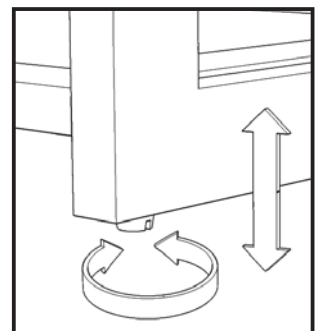


Figure 4

Assembly Instructions 4/4

Attention!

To help reduce the risk of the unit tipping over, the Tipover Restraint must be installed following these instructions exactly!

Place unit at desired location.

Drill two 3/8" holes in wall at the appropriate location.

Insert Anchors into the wall holes and attach Brackets with Wall Screws.

Attach Brackets at pre-drilled holes at top of unit with Machine Screws.

Use Tipover Restraints to secure Brackets on unit to Brackets on wall.

(See Figure X)

Put tie end of Tipover Restraint into loop end of Tipover Restraint and pull until tight.

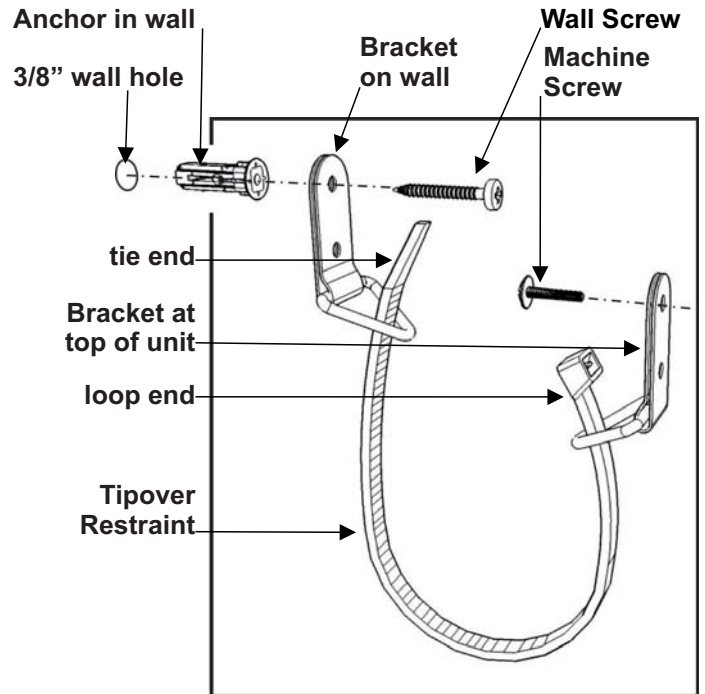
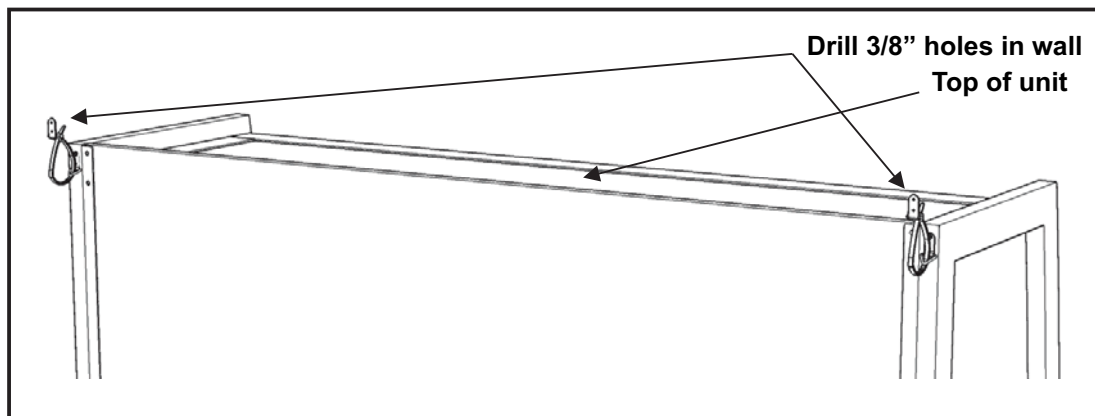
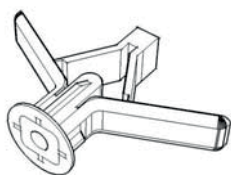


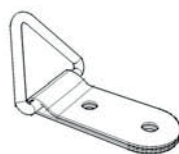
Figure X



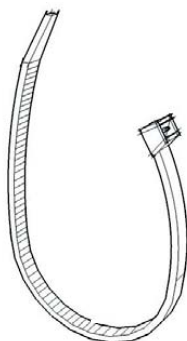
Hardware List



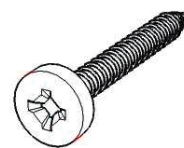
Anchor
2 pcs.(+1 extra)



Bracket
4 pcs.(+1 extra)



Tipover Restraint
2 pcs.(+1 extra)



**M3.5x40
Wall Screw**
2 pcs.(+1 extra)



**M4x16
Machine Screw**
2 pcs.(+1 extra)