

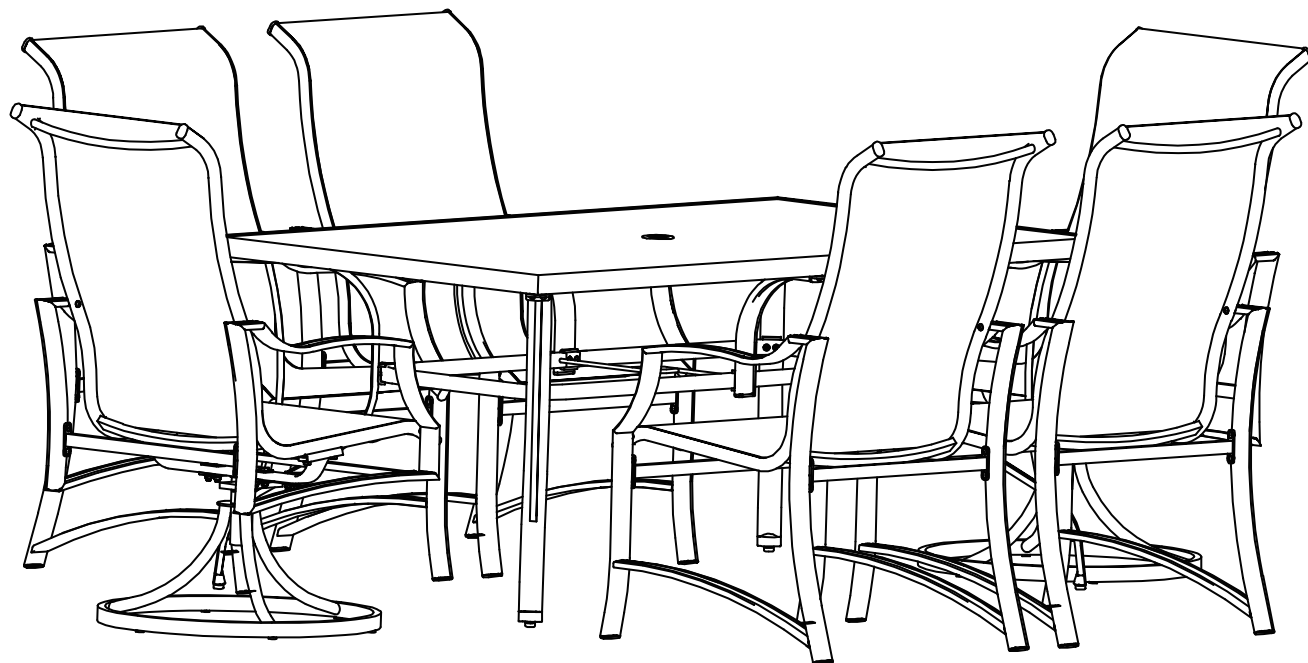


Item # 1002 751 113, 1002 769 731  
1002 751 475, 1002 769 734  
Model # FCA70357D-ST  
FCA70357D-ST-W

## USE AND CARE GUIDE

---

### STATESVILLE 7-PIECE ALUMINUM PADDED SLING DINING SET



Questions, problems, missing parts? Before returning to the store,  
call Hampton Bay Customer Service.

8 a.m. - 7 p.m., EST, Monday - Friday, 9 a.m. - 6 p.m., EST, Saturday

**1-855-HD-HAMPTON**

**HAMPTONBAY.COM**

---

#### THANK YOU

*We appreciate the trust and confidence you have placed in Hampton Bay through the purchase of this dining set. We strive to continually create quality products designed to enhance your home. Visit us online to see our full line of products available for your home improvement needs. Thank you for choosing Hampton Bay!*

# Table of Contents

Table of Contents .....	2	Planning Assembly .....	3
Safety Information .....	2	Hardware Included .....	3
Product Caution .....	2	Stationary Chair Package Contents .....	4
Safety Warnings .....	2	Swivel Chair Package Contents .....	5
Warranty .....	2	Table Package Contents .....	6
What is Covered .....	2	Stationary Chair Assembly .....	7
What is Not Covered .....	2	Swivel Chair Assembly .....	11
Pre-Assembly .....	3	Table Assembly .....	17
		Care and Cleaning .....	19

# Safety Information

## PRODUCT CAUTION

This dining set was made for the explicit purpose of providing outdoor functions and is not to be used as a toy. This product is intended for normal outdoor use; however, the manufacturer recommends storing and / or covering this set when any formidable / severe weather is approaching. Do not locate the product near open flames. Do not use the product as a support. Do not shake, lean or climb on the product. Children under the age of 10, near the product, should be supervised by a competent adult at all times. This product is NOT intended for commercial use and will void the warranty.

## SAFETY WARNINGS



**WARNING:** Weight limit for the chairs is 250 lbs (113.39 kg) for each seat.



**WARNING:** Always use an umbrella table ring.



**WARNING:** This dining set is heavy, and may require two adults for safe assembly.



**CAUTION:** When not in use, secure the product in a cool and covered location.



**WARNING:** Do not place heavy objects on the table top.



**CAUTION:** Do not locate the product near any heat source.



**WARNING:** Do not place heavy objects on the chairs.

# Warranty

## 5 YEAR FRAME AND 2 YEAR FABRIC LIMITED WARRANTY

### WHAT IS COVERED

We warrant the frames to be free of manufacturing defects to the original purchaser for five years, and a two year limited warranty for the fabric.

### WHAT IS NOT COVERED

It remains the customer's responsibility for freight and packaging charges to and from our service center. This warranty does not cover commercial use, hardware, acts of nature, fire, freezing and abusive use. In addition, purchased parts are not covered under this warranty. We reserve the right to make substitutions with similar merchandise, if the model in question is no longer in production.

Contact the Customer Service Team at 1-855-HD-HAMPTON or visit [www.HamptonBay.com](http://www.HamptonBay.com).

# Pre-Assembly

## PLANNING ASSEMBLY

Read all instructions before assembly.

To avoid damaging this product, assemble it on a soft, non-abrasive surface such as carpet or cardboard.



**NOTE:** More than one person may be required to assemble this product.

## HARDWARE INCLUDED



**NOTE:** Hardware not shown to actual size.



AA



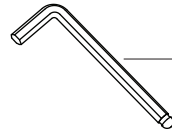
BB



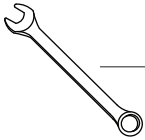
CC



DD



EE

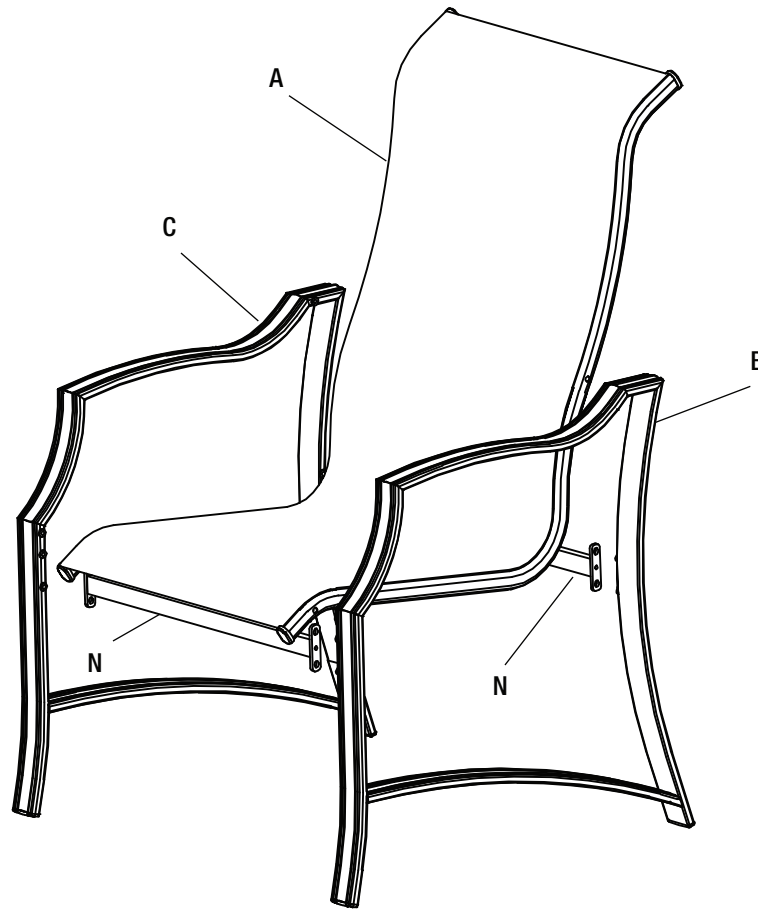


FF

Part	Description	Quantity
AA	M6x30 combination bolt	24+2
BB	M6x25 combination bolt	12+1
CC	M6x15 combination bolt	60+3
DD	M8x20 combination bolt	8+1
EE	Hex wrench	3
FF	Wrench	1

# Pre-Assembly (continued)

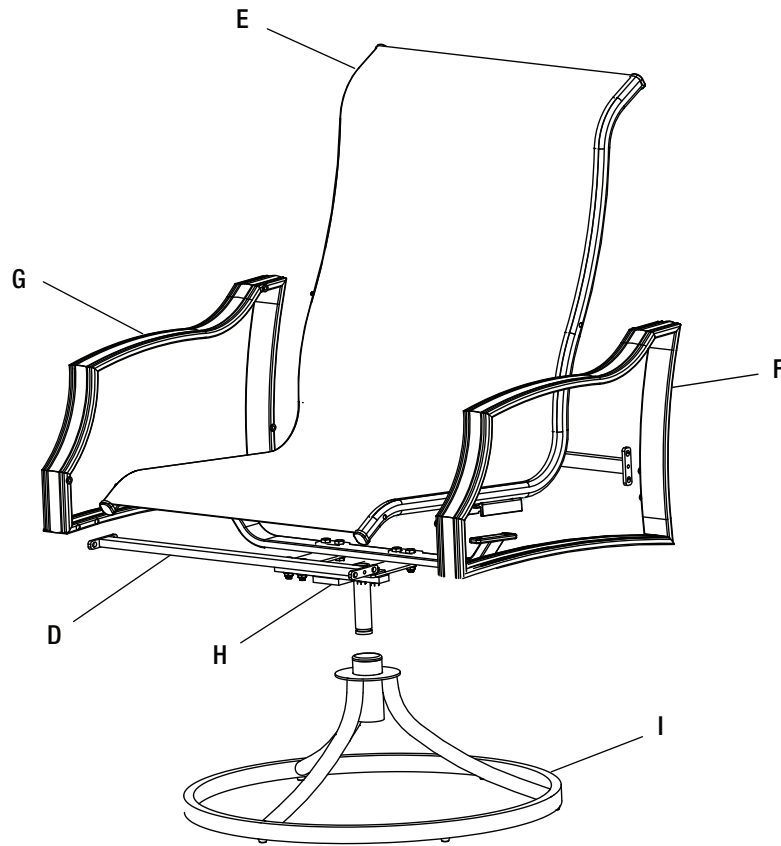
## STATIONARY CHAIR PACKAGE CONTENTS



Part	Description	Quantity
A	Chair bucket	4
B	Left arm	4
C	Right arm	4
N	Stationary chair connection bar	8

# Pre-Assembly (continued)

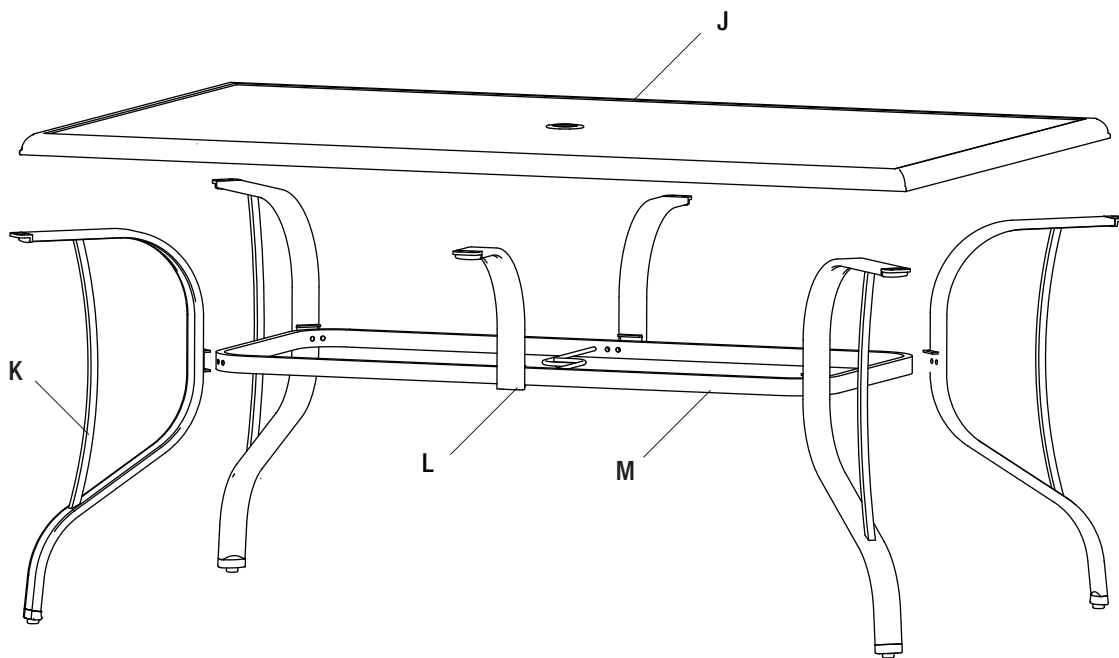
## SWIVEL CHAIR PACKAGE CONTENTS



Part	Description	Quantity
D	Swivel chair connection bar	4
E	Swivel chair bucket	2
F	Left swivel chair arm	2
G	Right swivel chair arm	2
H	Support bar	2
I	Swivel base	2

# Pre-Assembly (continued)

## TABLE PACKAGE CONTENTS



Part	Description	Quantity
J	Table top	1
K	Table leg	4
L	Support tube	2
M	Leg connector	1

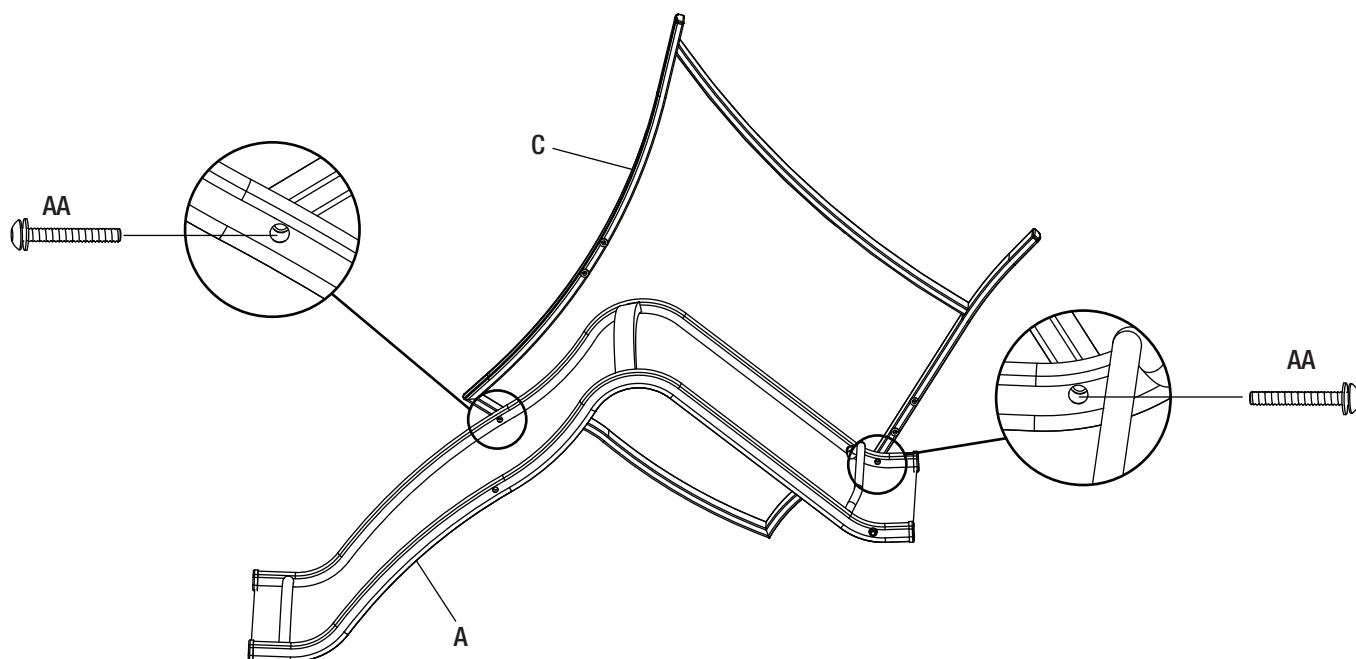
# Stationary Chair Assembly

## 1 Connecting the right arm to the chair bucket

- Place the chair bucket (A) on a soft surface.
- Attach the right arm (C) to the chair bucket (A) using M6x30 combination bolts (AA).



**NOTE:** Loosely tighten all the bolts using the hex wrench (EE).



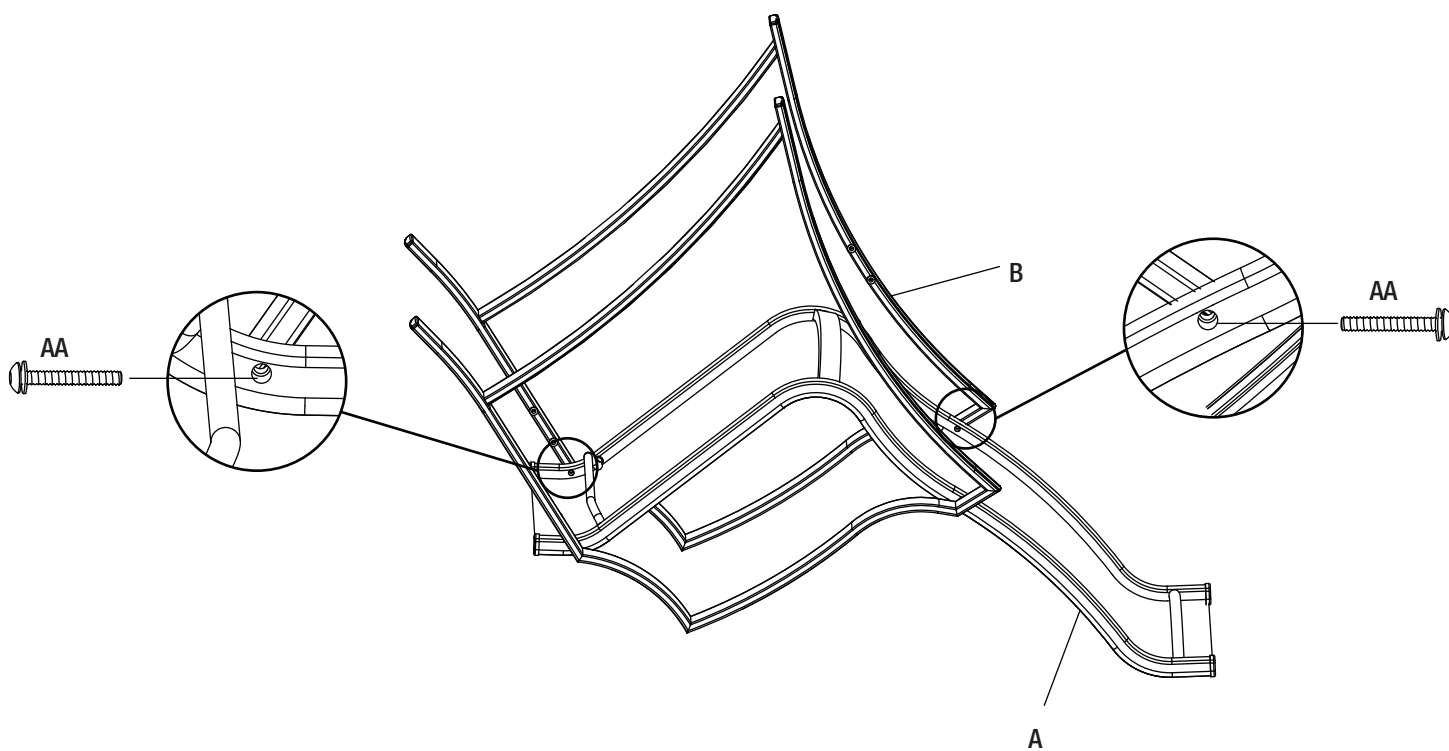
## Stationary Chair Assembly (continued)

### 2 Connecting the left arm to the chair bucket

- Attach the left arm (B) to the chair bucket (A) using M6x30 combination bolts (AA).



**NOTE:** Loosely tighten all the bolts using the hex wrench (EE).





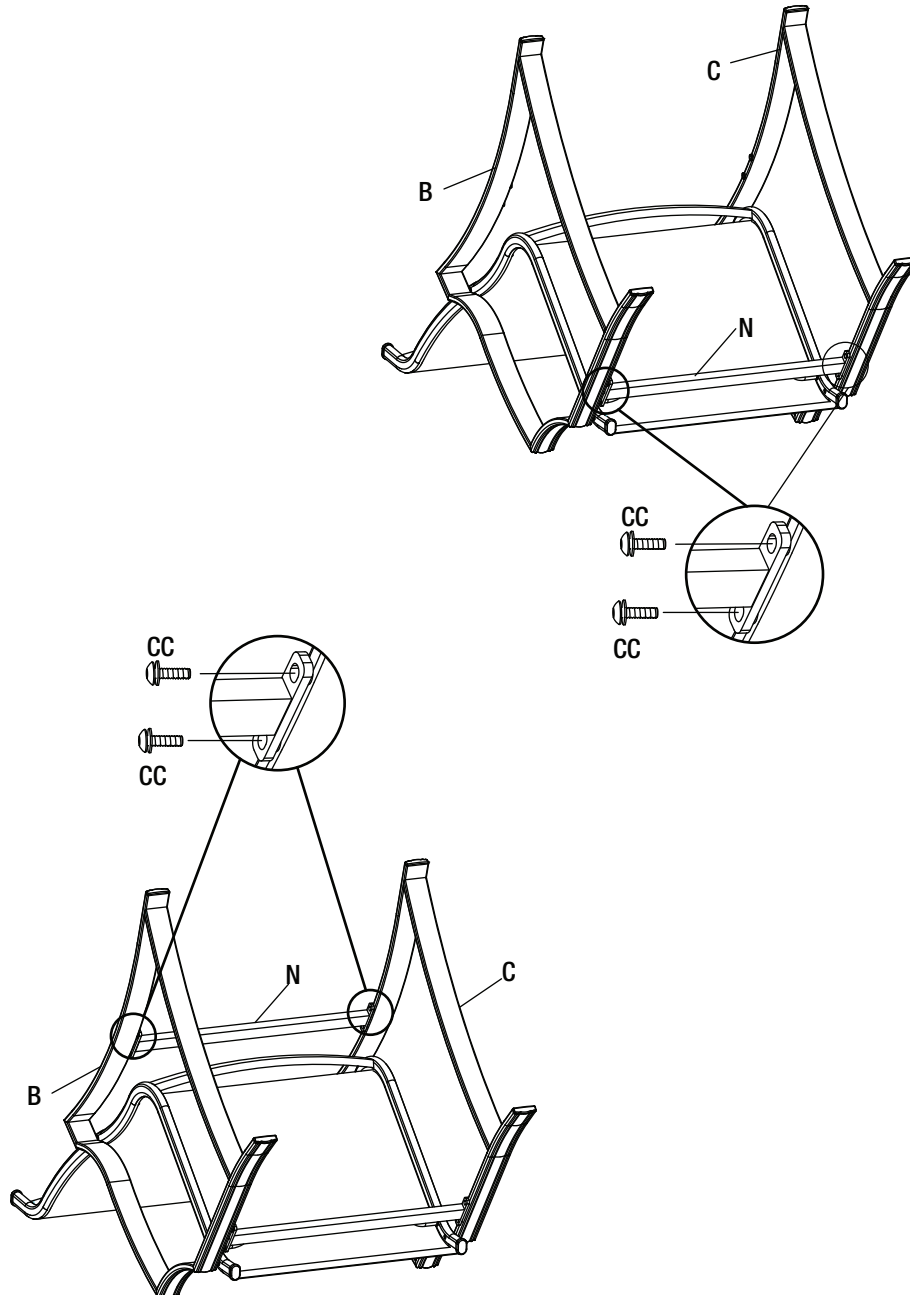
# Stationary Chair Assembly (continued)

## 3 Attaching the stationary chair connection bars to the arms

- Attach the stationary chair connection bars (N) to the left and the right arms (B & C) using M6x15 combination bolts (CC).



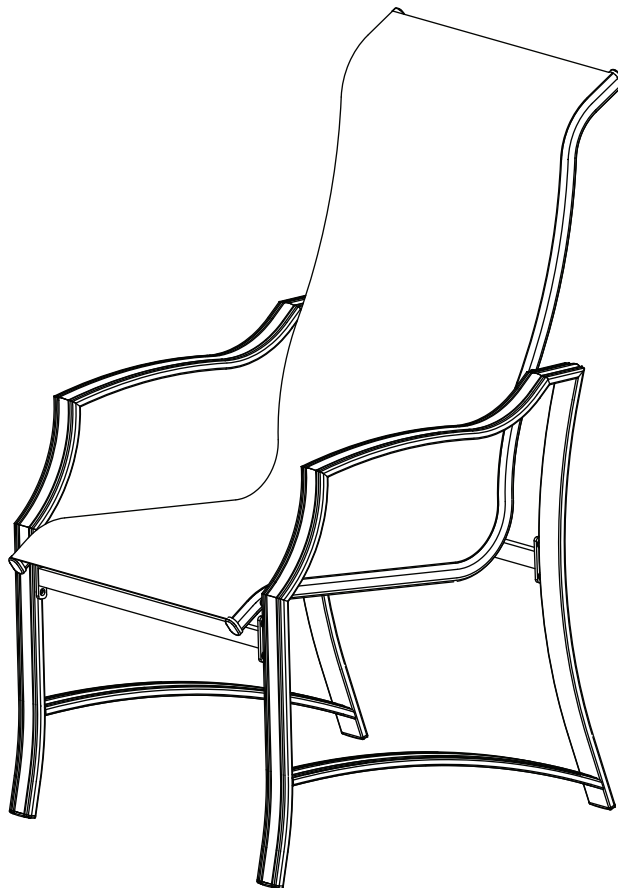
**NOTE:** Loosely tighten all the bolts using the hex wrench (EE).



## Stationary Chair Assembly (continued)

### 4 Tightening the bolts

- Once all of the bolts are in place, fully tighten the bolts.
- Turn the chair right side up.
- Ensure the chair is tightly assembled and stable before use.



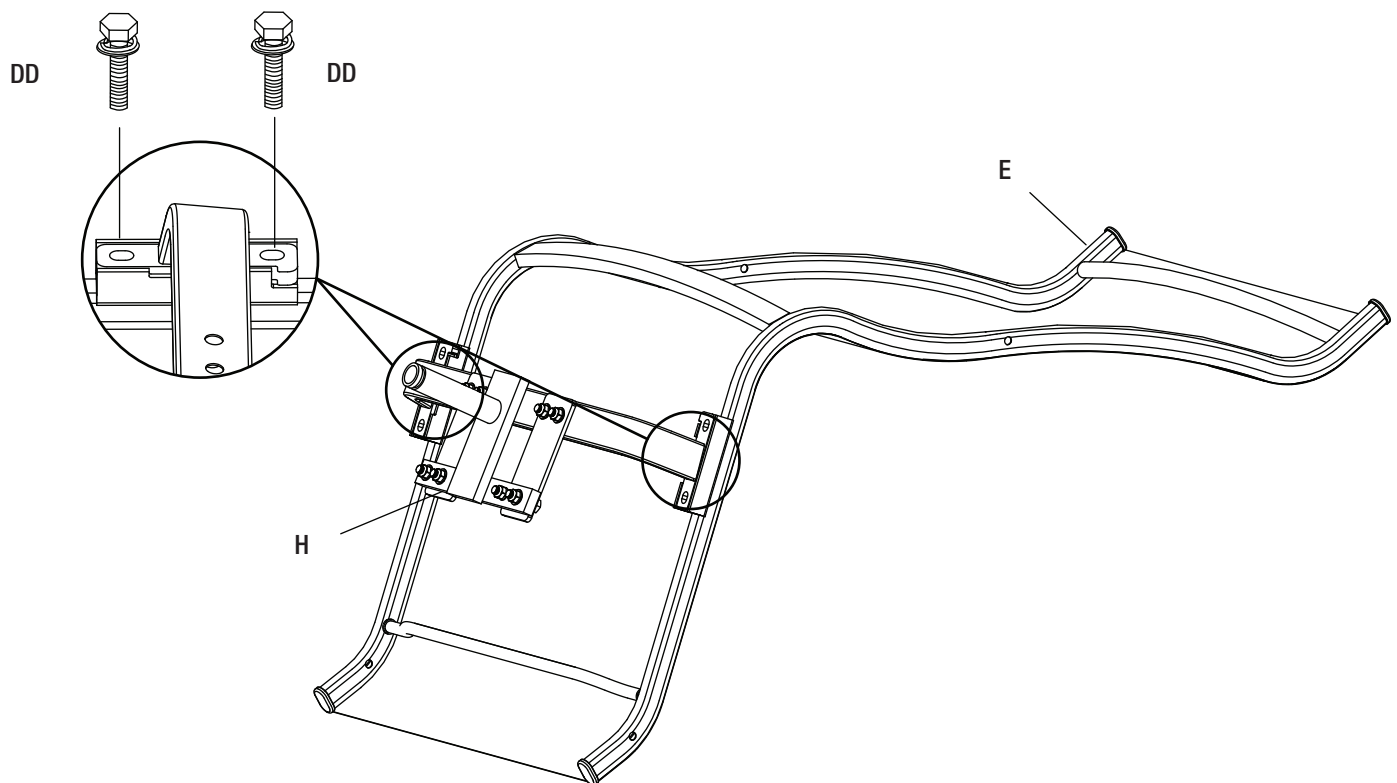
# Swivel Chair Assembly

## 1 Connecting the support bar to the swivel chair bucket

- Place the swivel chair bucket (E) upside down on a soft surface.
- Attach the support bar (H) to the bottom of the swivel chair bucket (E) using M8x20 combination bolts (DD).



**NOTE:** Loosely tighten all the bolts using the wrench (FF).



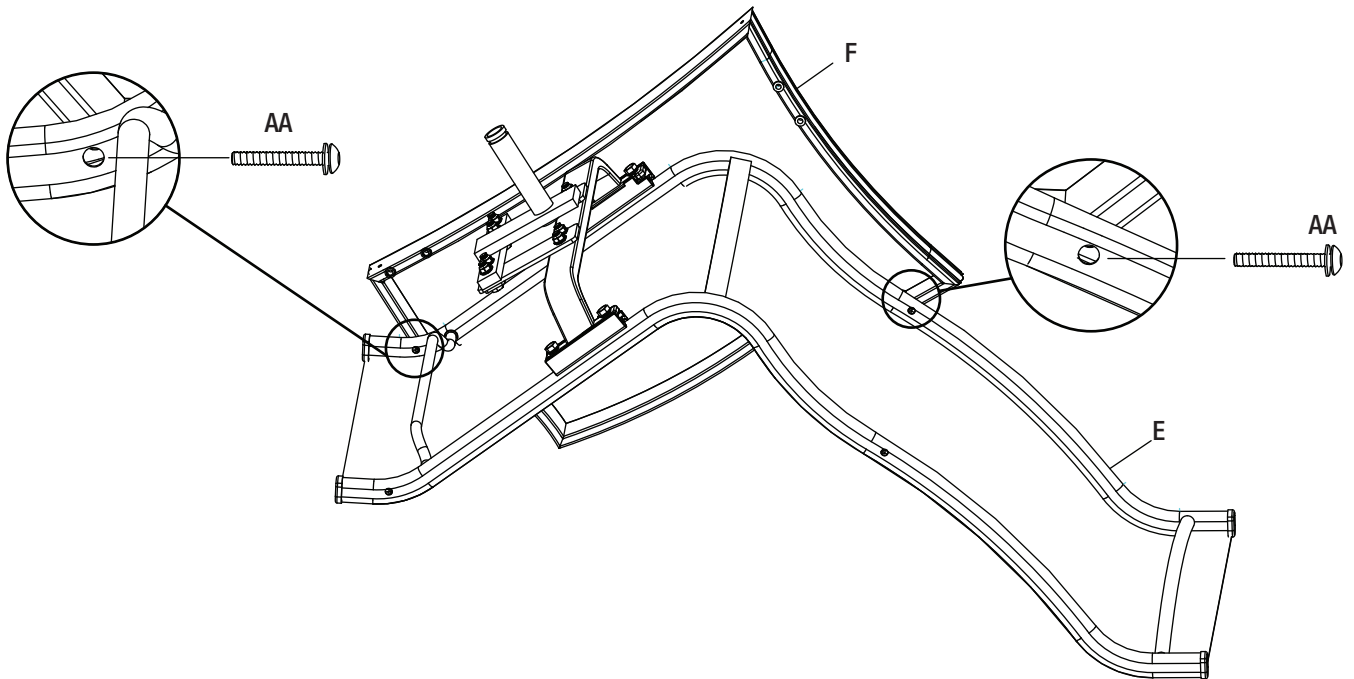
# Swivel Chair Assembly (continued)

## 2 Connecting the left swivel chair arm to the swivel chair bucket

- Attach the left swivel chair arm (F) to the swivel chair bucket (E) using M6x30 combination bolts (AA).



**NOTE:** Loosely tighten all the bolts using the hex wrench (EE).



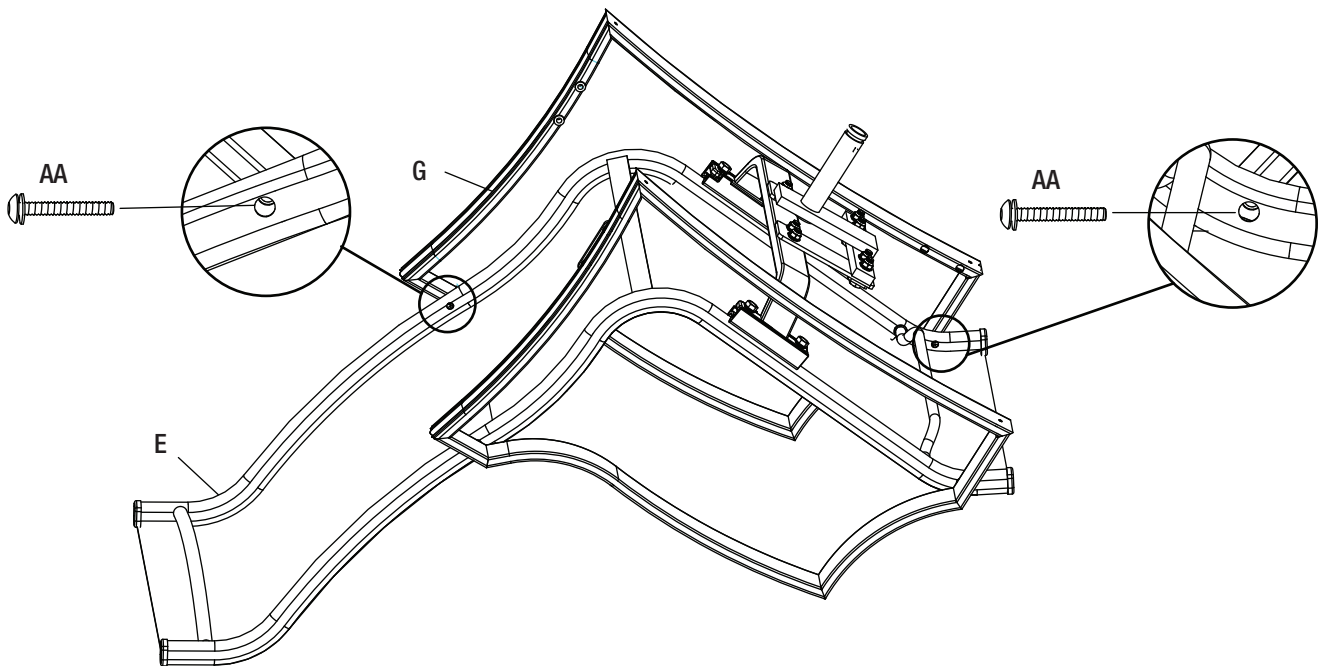
## Swivel Chair Assembly (continued)

### 3 Connecting the right swivel chair arm to the swivel chair bucket

- Attach the right swivel chair arm (G) to the swivel chair bucket (E) using M6x30 combination bolts (AA).



**NOTE:** Loosely tighten all the bolts using the hex wrench (EE).



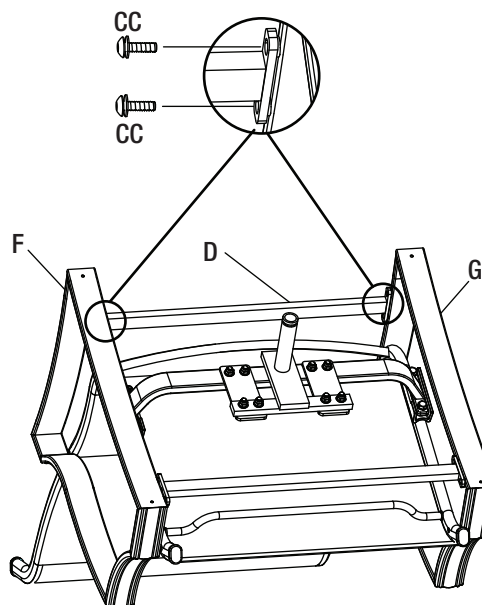
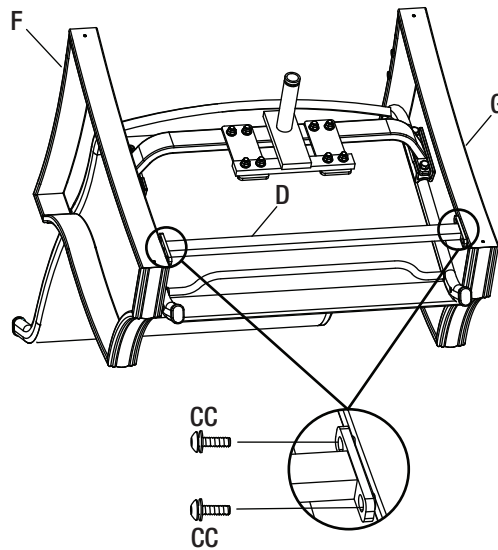
# Swivel Chair Assembly (continued)

## 4 Attaching the swivel chair connection bars to the swivel chair arms

- Attach the swivel chair connection bars (D) to the left and the right swivel chair arms (F & G) using M6x15 combination bolts (CC).



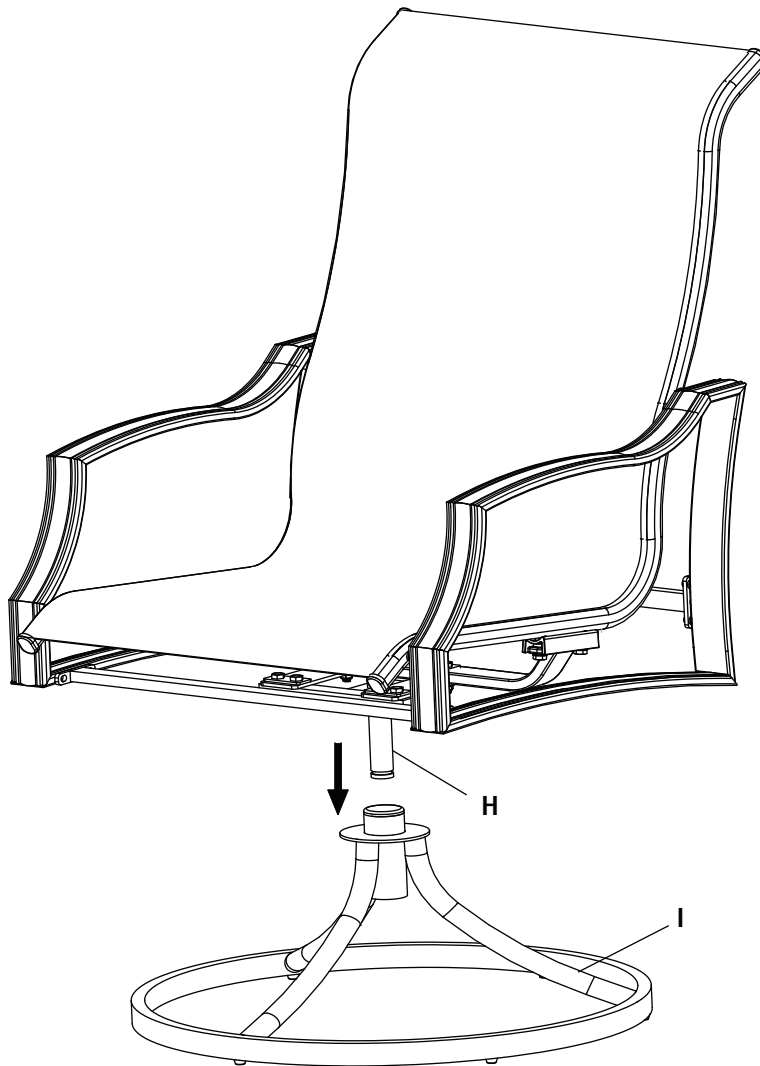
**NOTE:** Loosely tighten all the bolts using the hex wrench (EE).



## Swivel Chair Assembly (continued)

### 5 Tightening all bolts, connecting the support bar to the swivel base

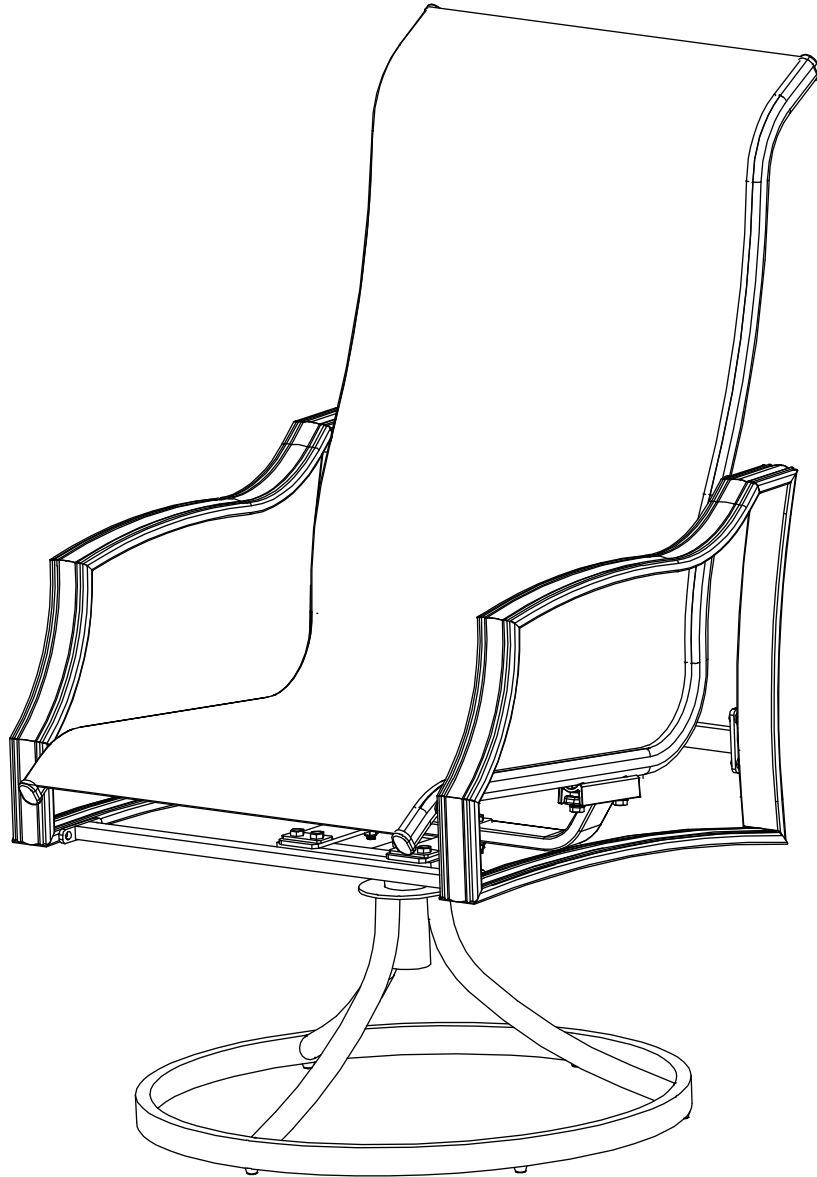
- Turn the chair right side up.
- Once all of the bolts are in place, fully tighten the bolts.
- Insert the support bar (H) into the swivel base (I).



## Swivel Chair Assembly (continued)

### 6 Checking the chairs

- Ensure all connections are secure before use.





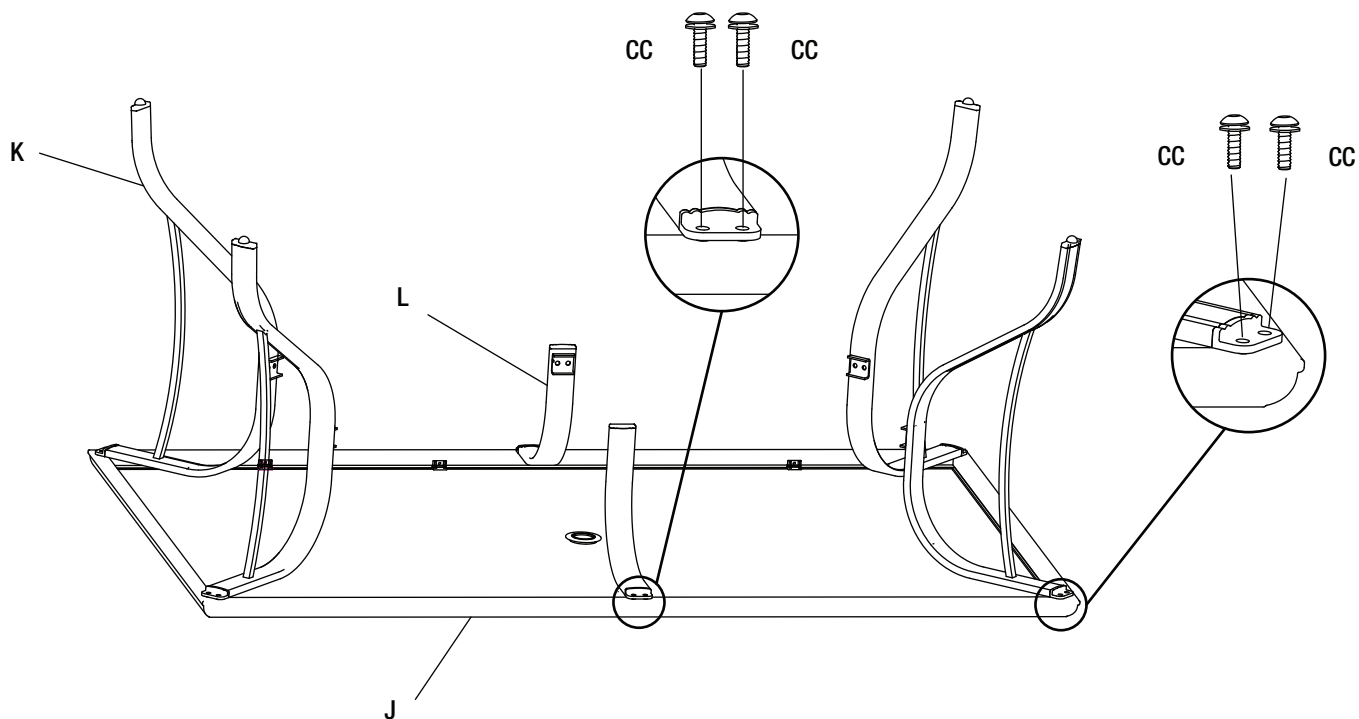
# Table Assembly

## 1 Attaching the table legs and the support tubes to the table top

- Place the table top (J) upside down on a soft surface.
- Attach the table legs (K) and the support tubes (L) to the table top (J) using M6x15 combination bolts (CC).



**NOTE:** Loosely tighten all the bolts using the hex wrench (EE).



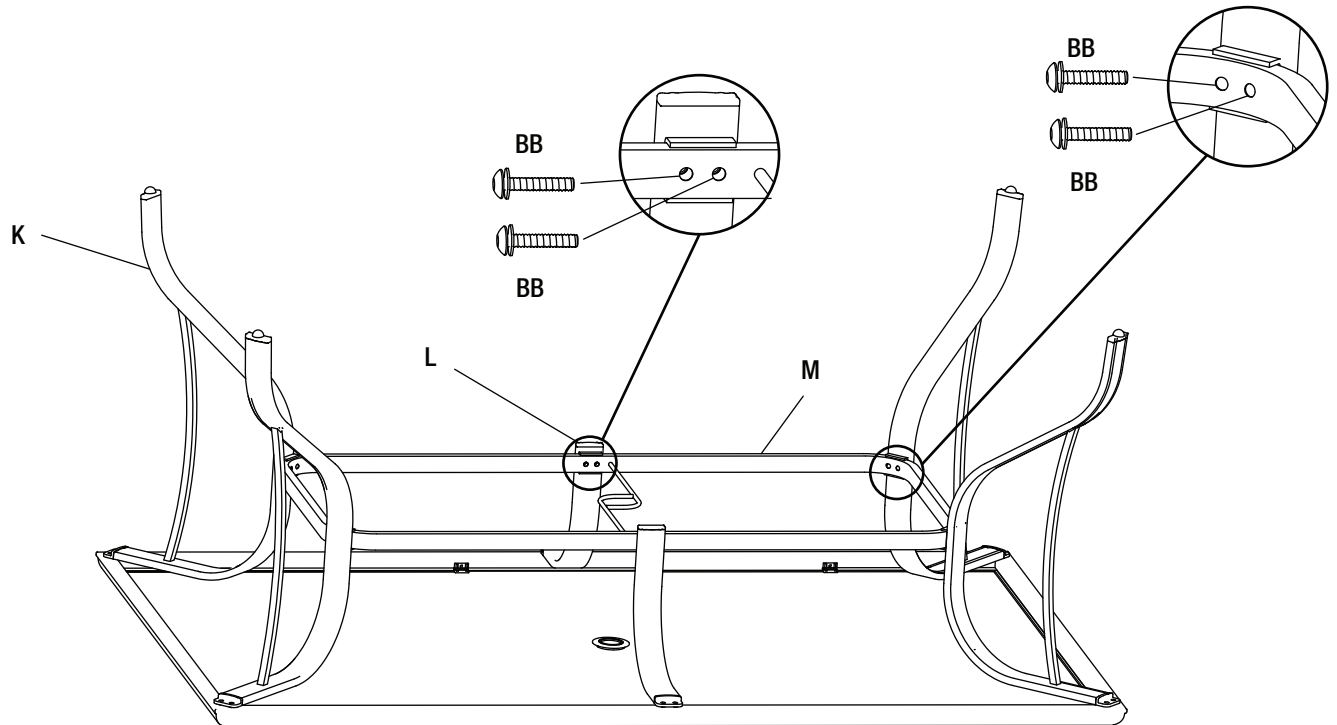
## Table Assembly (continued)

### 2 Attaching the leg connector to the table legs and the support tubes

- Attach the leg connector (M) to the table legs (K) and the support tubes (L) using M6x25 combination bolts (BB).



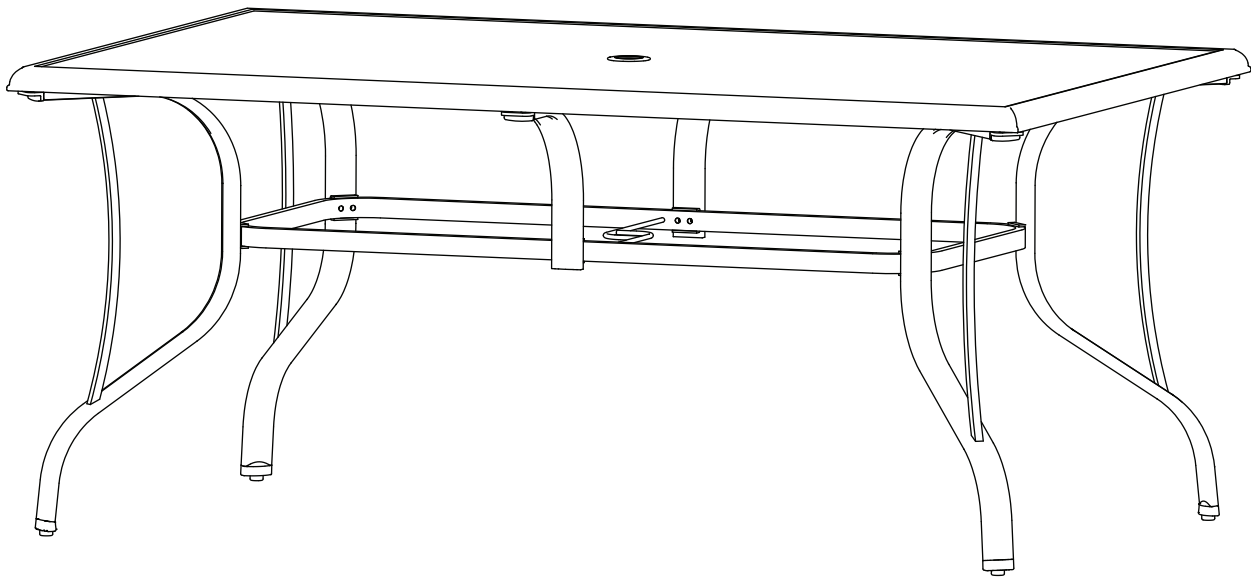
**NOTE:** Loosely tighten all the bolts using the hex wrench (EE).



## Table Assembly (continued)

### 3 Tightening the bolts

- Once all of the bolts are in place, fully tighten the bolts.
- Turn the table right side up.
- Ensure all connections are secure before use.



## Care and Cleaning

- For best results, clean the frame and fabric with a damp cloth and dry thoroughly. This will help prevent mildew by removing dirt particles that may accumulate.
- Do not clean with abrasive materials, bleach, or solvents.
- Store the set in a dry, sheltered place when not in use.
- Keep the set away from fire, extreme heat, freezing conditions, and inclement weather such as rain, hail, sleet, snow, or wind.



Questions, problems, missing parts? Before returning to the store,  
call Hampton Bay Customer Service.  
8 a.m. - 7 p.m., EST, Monday - Friday, 9 a.m. - 6 p.m., EST, Saturday

**1-855-HD-HAMPTON**

**HAMPTONBAY.COM**

Retain this manual for future use.