

Features

- Frameless, 1/4" (6 mm) thick Crystal Clear tempered glass.
- Cushioned center guide provides smooth, quiet sliding action.

Technology

- Innovative roller design simplifies installation and provides out-of-plumb adjustability while glass is installed.
- Gently curved towel bars, inside and outside, provide integrated storage on the door.
- CleanCoat® nanotechnology provides a smooth, nonstick surface to help prevent buildup of water stains, bacteria and mildew on your glass, to make it easy to clean and keep it looking like new.

Installation

- Sliding shower door.
- Not for use in hospitality.

Recommended Products/Accessories

K-23723 Faucet cleaner

Included Components

Additional Components:
Hardware kit



Codes/Standards

CPSC 16CFR 1201
ANSI Z97.1

KOHLER® One-Year Limited Warranty

See website for detailed warranty information.

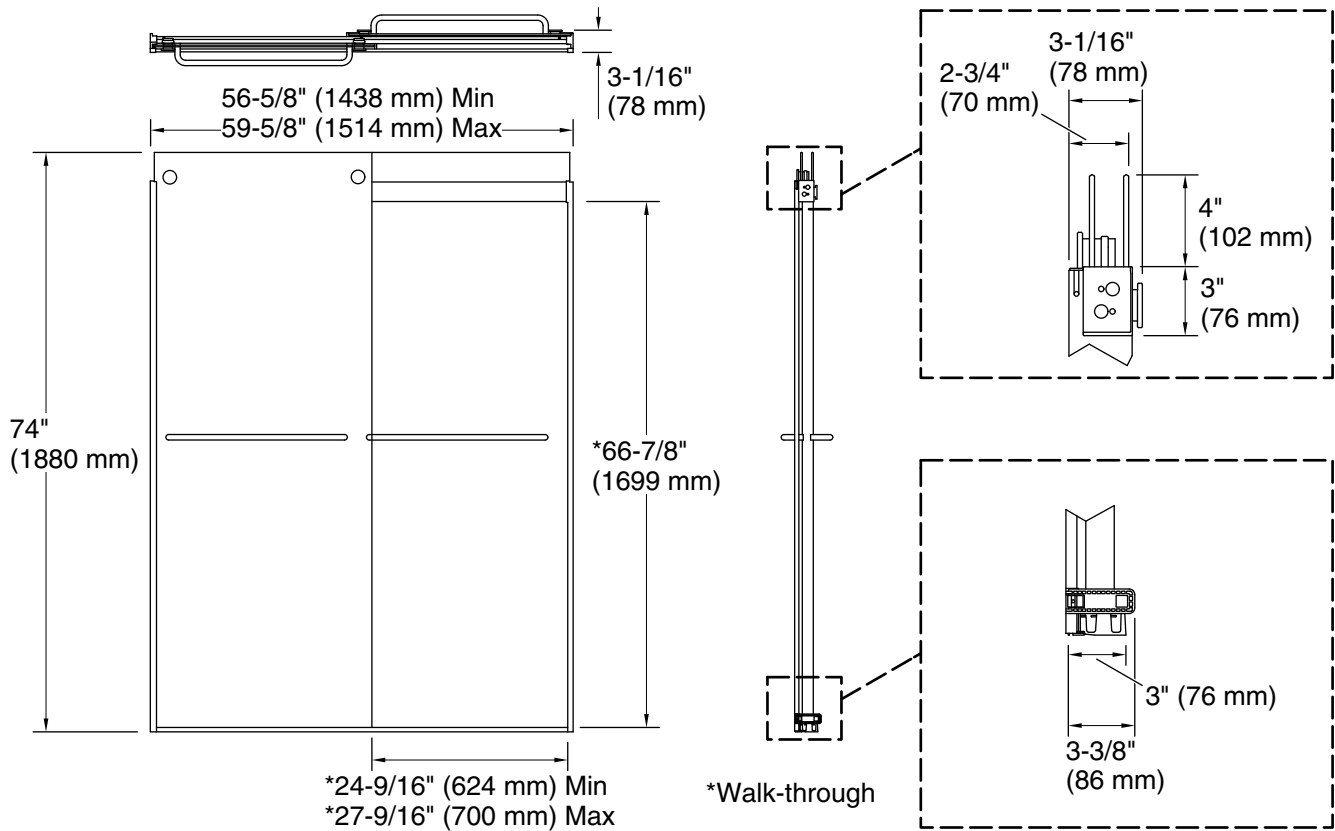
Available Colors/Finishes

Color tiles intended for reference only.

| Color | Code | Description |
|--|------|-------------------------|
|  | SH | Bright Silver |
|  | MX | Matte Nickel |
|  | ABV | Anodized Brushed Bronze |
|  | ABZ | Anodized Dark Bronze |

Available Glass Options

| Code | Description |
|------|---------------|
| L | Crystal Clear |



Technical Information

All product dimensions are nominal.

Installation type: For shower base installation

Opening style: Sliding/Bypass

Opening Width - Min: 56-5/8" (1438 mm)

Opening Width - Max: 59-5/8" (1514 mm)

Walk-through - Min: 24-9/16" (624 mm)

Walk-through - Max: 27-9/16" (700 mm)

Base-To-Wall Radius 1/2" (13 mm)

- Max:

Glass thickness: 1/4" (6 mm)

Glass coating: CleanCoat®

Notes

Install this product according to the installation guide.

If replacing a shower door, the narrow wall jamb design of this door may not cover the existing shower door holes.

The vertical opening should be a minimum of 76-1/2" (1943 mm) to allow for installation clearance.