

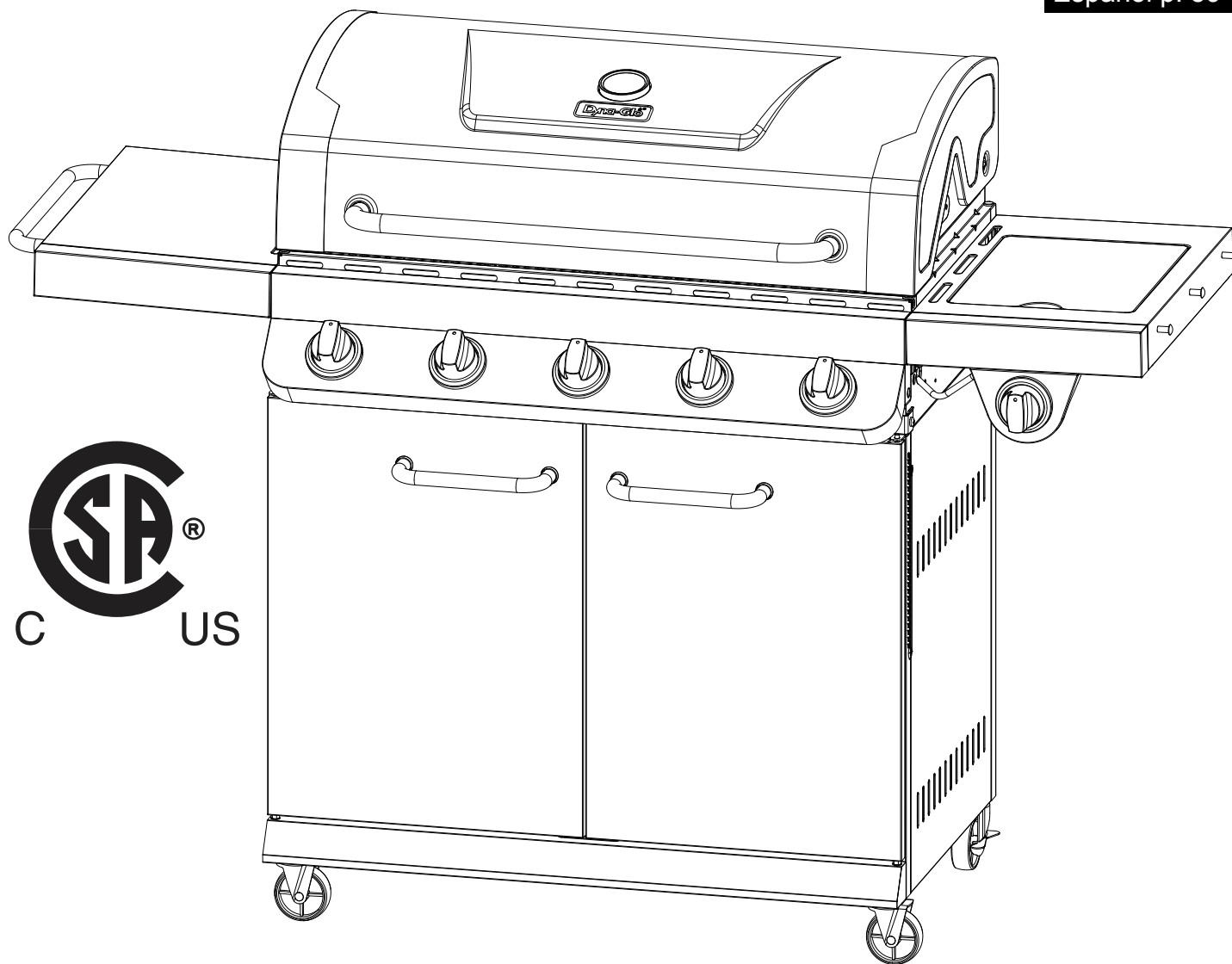


5 BURNER PREMIER NATURAL GAS GRILL WITH SIDE BURNER

Model #DGP552SSN / DGP552SSN-D /
DGP552CSN /DGP552CSN-D / DGP552GSN /
DGP552GSN-D / DGP552MSN / DGP552MSN-D

Français p. 30

Español p. 59



ATTACH YOUR RECEIPT HERE

Serial Number _____ Purchase Date _____



Questions, problems, missing parts? Before returning to your retailer, call our customer service department at 1-877-447-4768, 8:30 a.m. – 4:30 p.m., CST, Monday – Friday or e-mail us at customerservice@ghpgroupinc.com.

TABLE OF CONTENTS

Safety Information	3
Package Contents	5
Hardware Contents	6
Preparation	6
Assembly Instructions	7
Operation Instructions	19
Care and Maintenance	21
Troubleshooting	24
Warranty	26
Replacement Parts List	27

Assembler/Installer: This manual contains important information necessary for the proper assembly and safe use of this appliance. Read and follow all warnings and instructions before assembling and using this appliance. **Leave these instructions with the consumer.**

Consumer/User: Follow all warnings and instructions when using this appliance.
Retain these instructions for future reference.

DANGER

If you smell gas:

1. Shut off gas to the appliance.
2. Extinguish any open flame.
3. Open lid.
4. If odor continues, keep away from the appliance and immediately call your local fire department.

WARNING

1. Do not store or use gasoline or other flammable liquids or vapors in the vicinity of this or any other appliance.
2. An LP (liquid propane) cylinder not connected for use shall not be stored in the vicinity of this or any other appliance.
3. This grill is for outdoor use only and shall not be used in a building, garage, under overhangs or any other enclosed area.
4. Do not leave a lit grill unattended. Keep children and pets away from the grill at all times.

SAFETY INFORMATION

Please read and understand this entire manual before attempting to assemble, operate or install the product. If you have any questions regarding the product, please call customer service at: 1-877-447-4768, 8:30 a.m. – 4:30 p.m., CST, Monday – Friday.

DANGER

- Do not use in an explosive atmosphere. Keep grill area clear and free from combustible materials, gasoline and other flammable vapors and liquids.

WARNING

This product and the fuels used to operate this product (liquid propane or natural gas), and the products of combustion of such fuels, can expose you to chemicals including benzene, which is known to the State of California to cause cancer and reproductive harm.

For more information go to www.p65Warnings.ca.gov

CAUTION

- Never use charcoal or lighter fluid with the grill.
- Do not use gasoline, kerosene or alcohol for lighting.
- This grill is not intended to be used in or installed on recreational vehicles and/or boats.
- Always open grill lid slowly and carefully as heat and steam trapped within the grill can burn you severely.
- Never attempt to operate this grill using propane.
- Always employ a qualified service agency to install all necessary natural gas supply plumbing, manual shutoff valve, and quick-connect fittings.

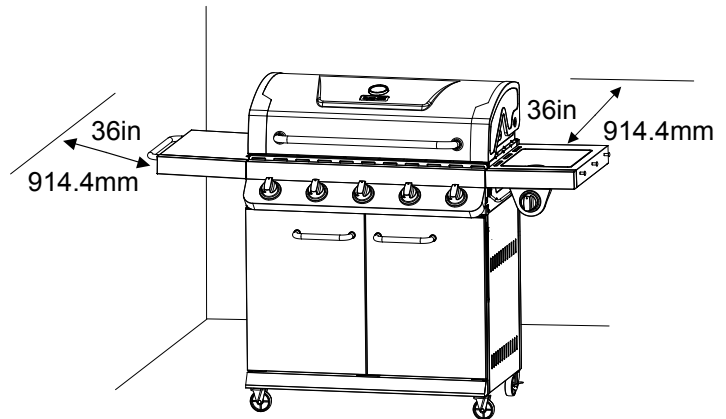


SAFETY INFORMATION

⚠ WARNING

- Do not place the grill under overhead combustible construction or awnings. Minimum clearance from sides and back of unit to combustible construction, 36 inches (914.4mm) from sides and back.

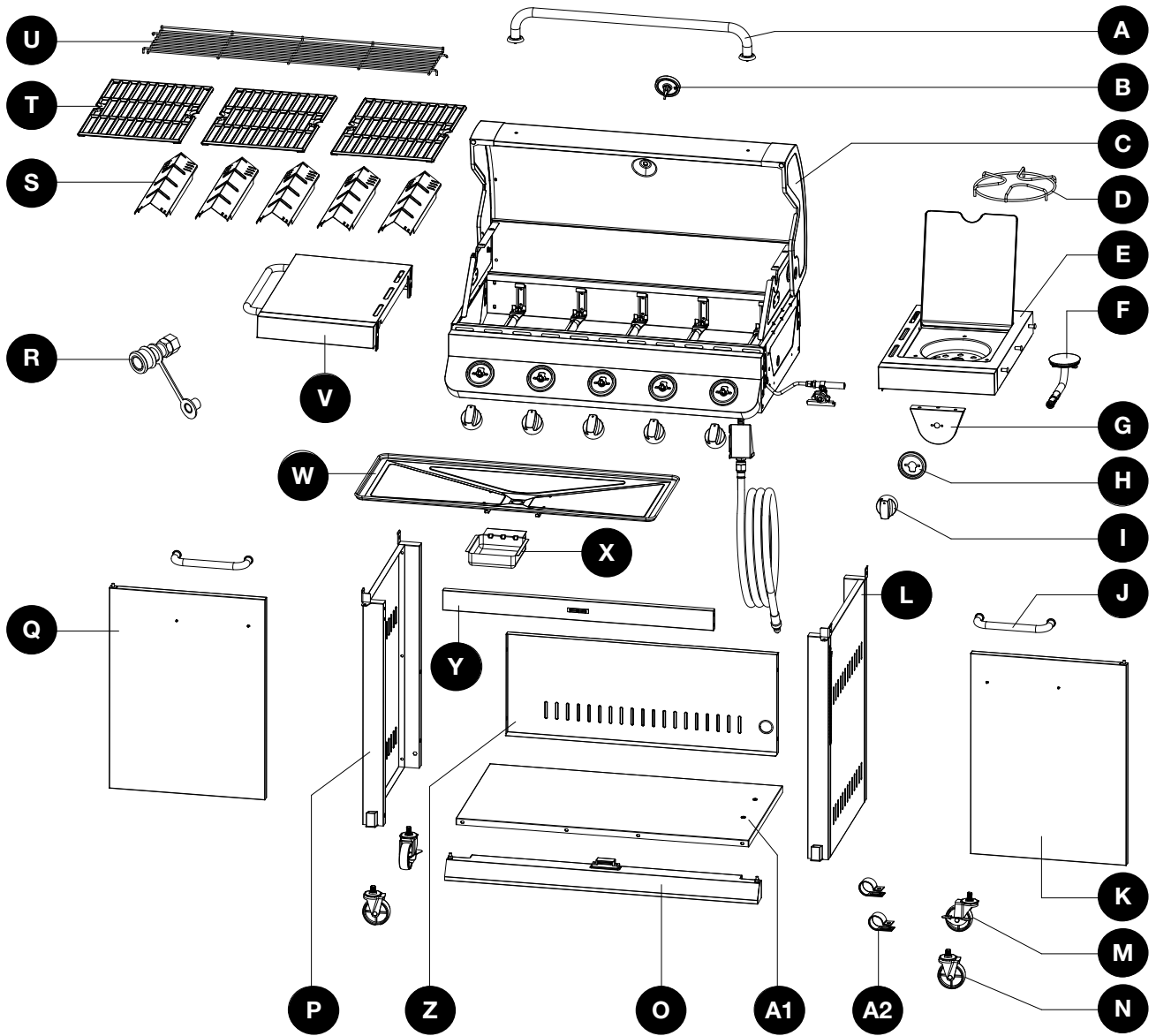
NOTE: The installation must conform with local codes or, in the absence of local codes, with either the National Fuel Gas Code, ANSI Z223.1/NFPA 54, Natural Gas and Propane Installation Code, CSA B149.1, or Propane Storage and Handling Code, B149.2.



⚠ CAUTION

- Do not store or use gasoline or other flammable liquids or vapors in the vicinity of this or any other appliance. Do not store flammables inside the cart of the grill.
- An LP cylinder shall not be stored in the vicinity of this or any other appliance.
- This grill is for use with natural gas only.
- Never attempt to attach this grill to the self-contained propane system of a boat, camper trailer, motor home or house.
- Do not attempt to move the grill while it is lit or when it is hot. The casters should be locked when not moving the grill.
- Do not use the grill unless it is completely assembled and all parts are securely fastened and tightened.
- Keep all combustible items and surfaces at least 36 inches (91.44 cm) away from the grill at all times.
- Do not touch metal parts of grill until it has completely cooled (about 45 minutes) to avoid burns, unless you are wearing protective gear (pot holders, gloves, BBQ mittens, etc...).
- Do not alter this grill in any manner.
- Clean and inspect the hose before each use. If there is evidence of abrasion, wear, cuts, or leaks, the hose must be replaced prior to operating the appliance. The replacement hose assembly will be that which is specified by the manufacturer, listed in the repair parts list in this manual.
- Move gas hoses as far away as possible from hot surfaces and dripping hot grease. Never allow the gas hose to touch heated surfaces.
- Keep the grill's valve compartment, burners and circulating air passages clean. Inspect the grill before each use. Do not obstruct the flow of gas or ventilation air.
- The use of alcohol, prescription or non-prescription drugs may impair the operator's ability to properly assemble or safely operate the grill.
- **Do not leave a lit grill unattended. Keep children and pets away from the grill at all times.**
- Do not place this grill on any type of tabletop surface. The grill should be placed on a flat and level surface.
- Do not use the grill in high winds.

PACKAGE CONTENTS

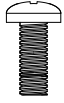


PART	DESCRIPTION	QUANTITY
A	Hood Handle	1
B	Temp Gauge	1
C	Grill Body Assembly	1
D	Side Burner Rack	1
E	Right Side Burner Body Assembly	1
F	Side Burner	1
G	Right Side Burner Control Panel	1
H	Control Knob Bezel	1
I	Control Knob	6
J	Door Handle	2
K	Right Door Assembly	1
L	Cart Right Side Panel Assembly	1
M	Locking Swivel Caster	2
N	Non-Locking Swivel Caster	2

PART	DESCRIPTION	QUANTITY
O	Bottom Panel Skirt Assembly	1
P	Cart Left Side Panel Assembly	1
Q	Left Door Assembly	1
R	Quick Disconnect Coupling	1
S	Heat Tent	5
T	Cooking Grate	3
U	Warming Rack	1
V	Left Side Table Assembly	1
W	Grease Pan	1
X	Grease Cup	1
Y	Upper Front Door Brace	1
Z	Cart Rear Panel	1
A1	Cart Bottom Panel Shelf	1
A2	Natural Gas Hose Holder	2

HARDWARE CONTENTS

AA



M6x16
Bolt

Qty. 37

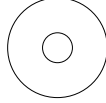
BB



M4x12
Bolt

Qty. 4

CC



M6
Plain Washer

Qty. 2

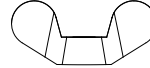
DD



M6
Spring Washer

Qty. 2

EE



M6
Wingnut

Qty. 2

FF



Wrench

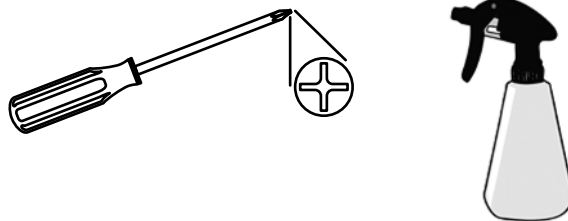
Qty. 1

PREPARATION

Before beginning assembly of product, make sure all parts are present. Compare parts with package contents list on previous page and hardware contents above. If any part is missing or damaged, do not attempt to assemble the product. Contact customer service for replacement parts.

Estimated Assembly Time: 50 minutes with 2 people.

Tools Required for Assembly and Leak Testing (not included): Phillips screwdriver, Spray bottle



⚠ CAUTION

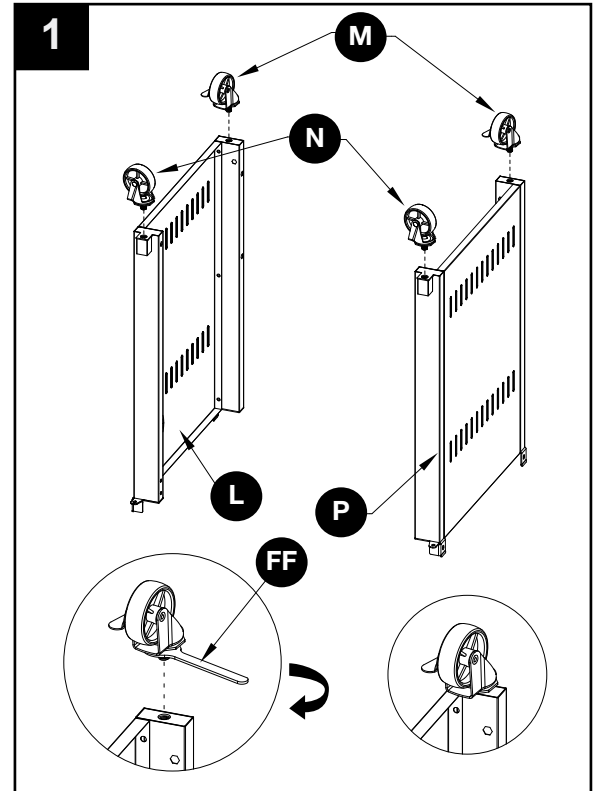
THIS UNIT IS HEAVY. Two people required for safe assembly.

Two people required for safe assembly. Some parts may contain sharp edges. Wear protective gloves if necessary. Read and follow all safety statements, warnings, assembly instructions and use and care instructions before attempting to assemble and use.

ASSEMBLY INSTRUCTIONS

1. Attach the two locking swivel casters (M) and the two non-locking swivel casters (N) to the cart left side panel assembly (P) and the cart right side panel assembly (L) with wrench (FF).

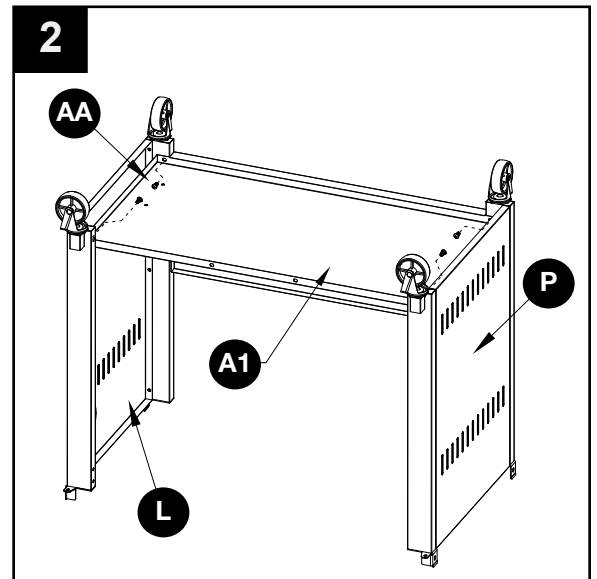
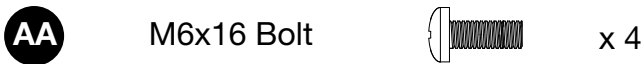
Hardware Used



2. Attach the cart left side panel assembly (P) and the cart right side panel assembly (L) to the cart bottom panel shelf (A1) with four M6x16 bolts (AA).

DO NOT TIGHTEN BOLTS AT THIS TIME.

Hardware Used

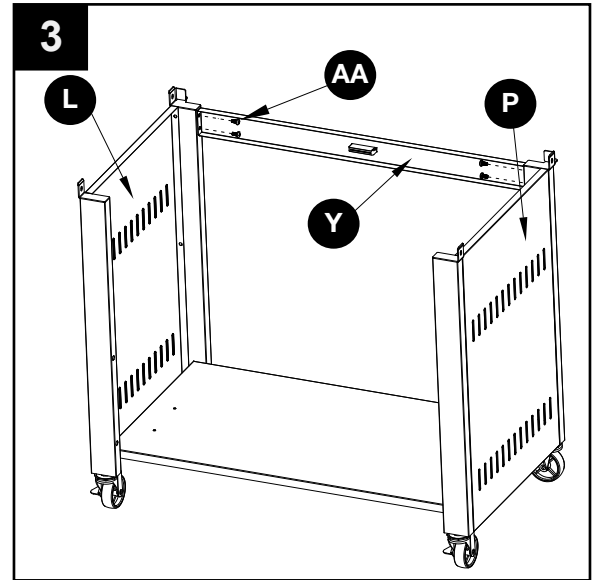


ASSEMBLY INSTRUCTIONS

3. Attach the upper front door brace (Y) to the cart left side panel assembly (P) and the cart right side panel assembly (L) with four M6x16 bolts (AA).

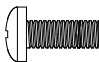
Hardware Used

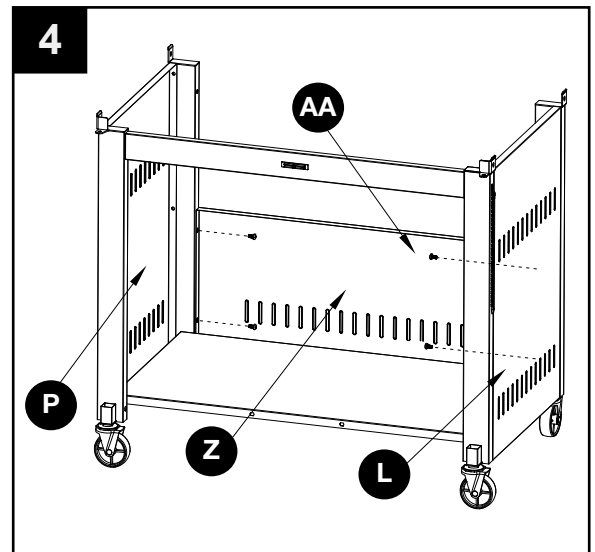
AA M6x16 Bolt  x 4



4. Attach the cart rear panel (Z) to the cart left side panel assembly (P) and the cart right side panel assembly (L) with the four M6x16 bolts (AA).

Hardware Used

AA M6x16 Bolt  x 4



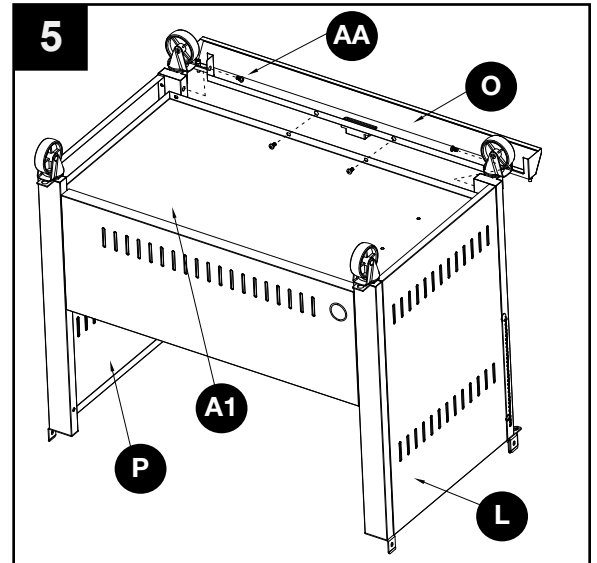
ASSEMBLY INSTRUCTIONS

5. Attach the bottom panel skirt assembly (O) to the cart bottom shelf (A1), cart left side panel assembly (P) and the cart right side panel assembly (L) with four M6x16 bolts (AA).

Tighten ALL bolts securely from Step 2.

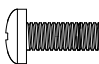
Hardware Used

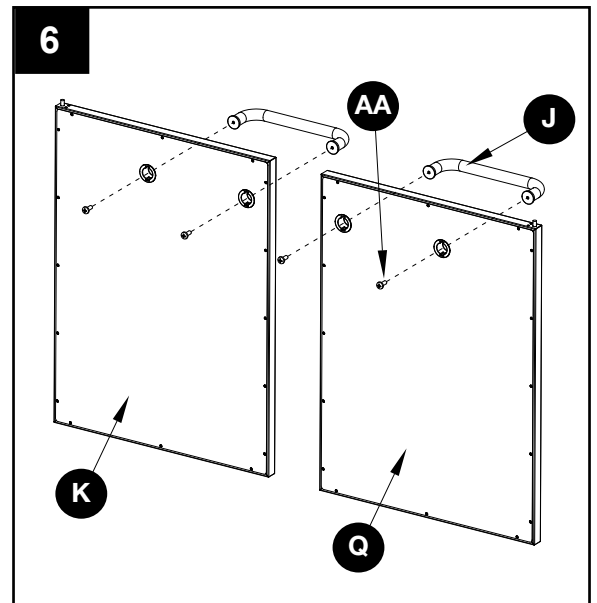
AA M6x16 Bolt  x 4



6. Attach the door handle (J) to the left door assembly (Q) and the right door assembly (K) with four M6x16 bolts (AA).

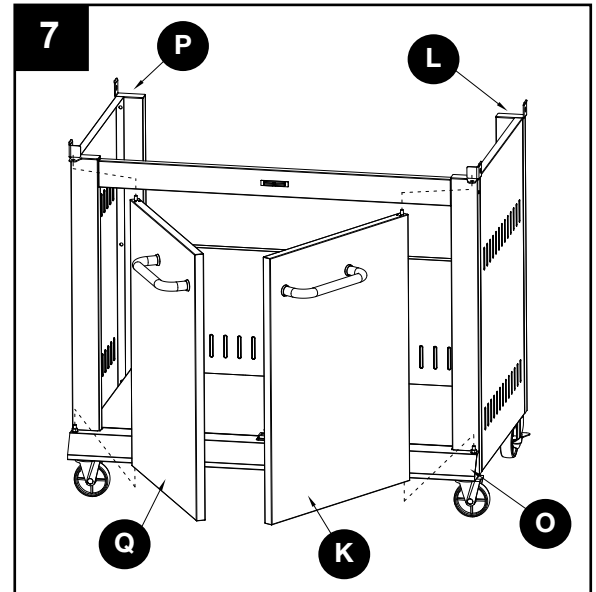
Hardware Used

AA M6x16 Bolt  x 4



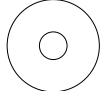


ASSEMBLY INSTRUCTIONS

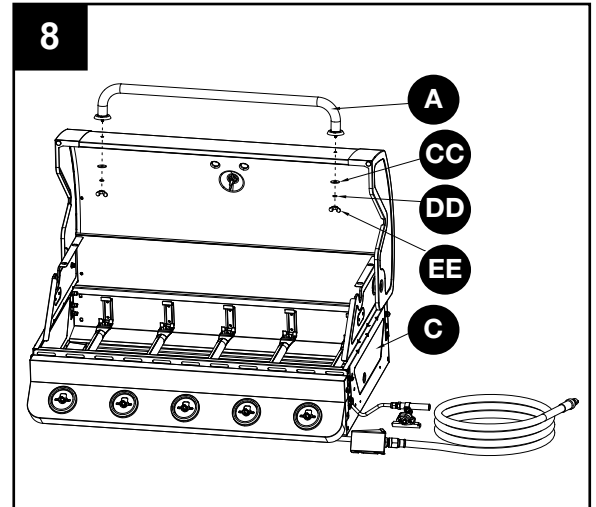
7. Insert the bottom hinge pin of the cart bottom panel skirt (O) into the lower hole on the left door assembly (Q), then press the upper door spring hinge pin into the hole on the cart left side panel assembly (P) as shown. Repeat with the right door assembly (K).



8. Attach the hood handle (A) to the grill body assembly (C) with two M6 wing nuts (EE), two M6 spring washers (DD) and two M6 plain washers (CC).

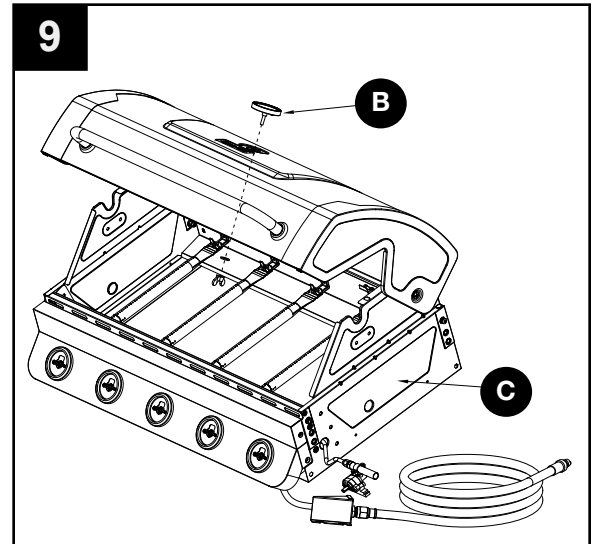
Hardware Used

CC	M6 Plain Washer		x 2
DD	M6 Spring Washer		x 2
EE	M6 Wingnut		x 2



ASSEMBLY INSTRUCTIONS

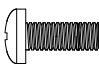
9. Remove pre-assembled wing nut and plain washer from the temp gauge (B), then attach the temp gauge (B) to the grill body assembly (C). Secure the temp gauge (B) with wing nut and plain washer removed earlier in this step.

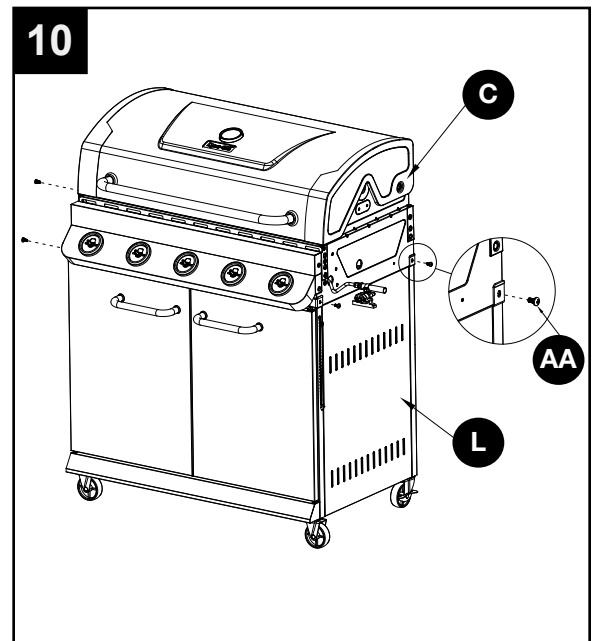


10. Carefully place the grill body (C) onto cart left side panel assembly (P) and cart right side panel assembly (L). Adjust the grill body (C) so that the holes in the grill body (C) are aligned with holes in the tabs of cart left side panel assembly (P) and cart right side panel assembly (L).

Note: Make sure the natural gas hose is inside the cart. Secure the grill body (C) with four M6X16 bolts (AA).

Hardware Used

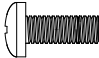

AA M6x16 Bolt  x 4

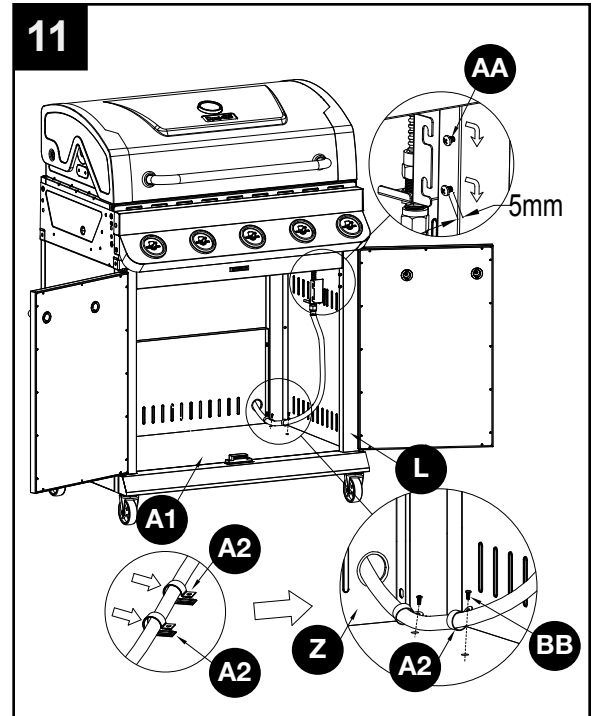


ASSEMBLY INSTRUCTIONS

11. Pre-assemble two M6x16 bolts (AA) onto the cart right side panel assembly (L) and do not tighten them. Make sure to leave a 5mm gap between the bolt and the panel. Hang the natural gas hose bracket onto the bolts and tighten the two bolts. Put the two-piece natural gas hose holders (A2) on the hose. Attach the natural gas hose (A2) to the bottom shelf (A1) with two M4x12 bolts (BB). NOTE: Make sure the natural gas hose exits through the hole in the cart rear panel (Z).

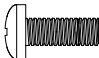
Hardware Used

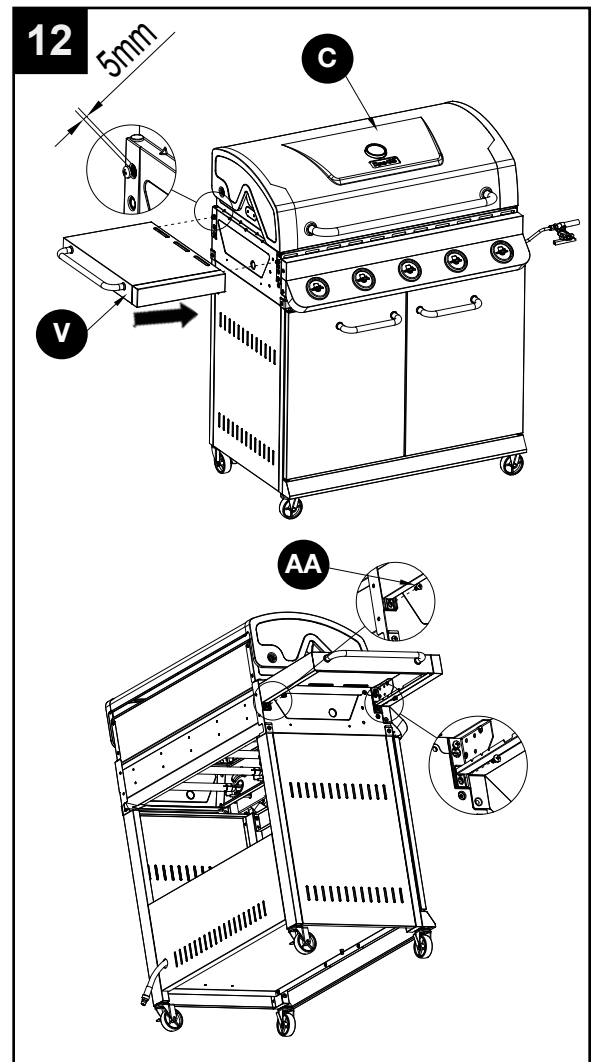
AA	M6x16 Bolt		x 2
BB	M4x12 Bolt		x 2



12. Insert two M6x16 bolts (AA) in left side of grill body (C) as shown, leaving 5mm of threads exposed. Align key hole in left side table assembly (V) with the two bolts just inserted in the grill body (C), and insert two M6x16 bolts (AA) in the remaining holes in the grill body (C). Adjust left side table assembly (V) correctly, then tighten all bolts.

Hardware Used

AA	M6x16 Bolt		x 4
-----------	------------	---	-----

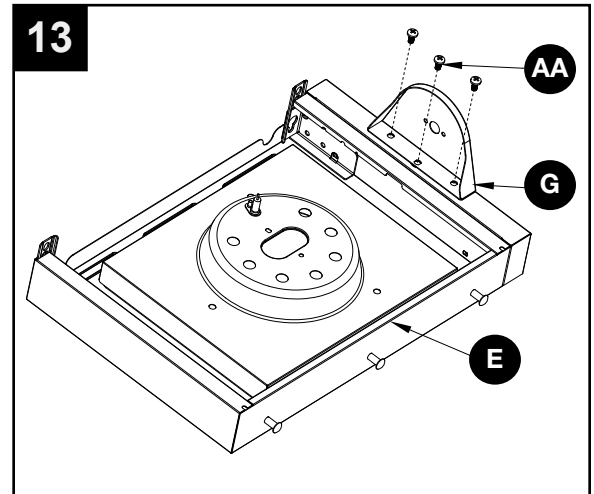


ASSEMBLY INSTRUCTIONS

13. Attach the right side burner control panel (G) to the right side burner body assembly (E) with three M6x16 bolts (AA).

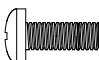
Hardware Used

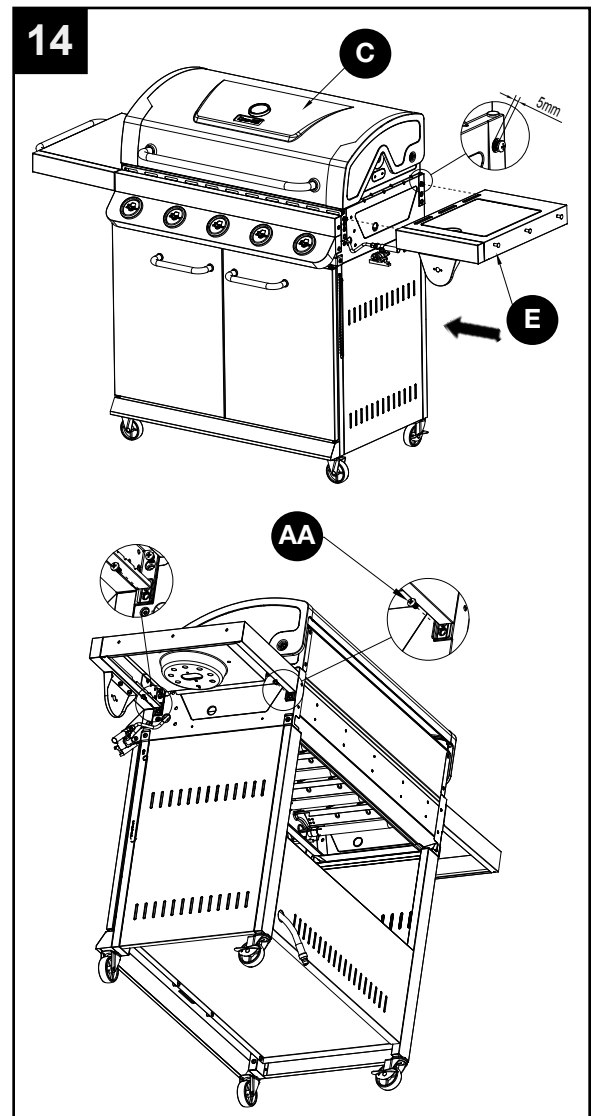
AA M6x16 Bolt  x 3



14. Insert two M6x16 bolts (AA) in right side of grill body (C) as shown, leaving 5mm of threads exposed. Align key hole in right side table assembly (E) with the two bolts just inserted in the grill body (C), and insert two M6x16 bolts (AA) in the remaining holes in the grill body (C). Adjust right side table assembly (E) correctly, then tighten all bolts.

Hardware Used


AA M6x16 Bolt  x 4

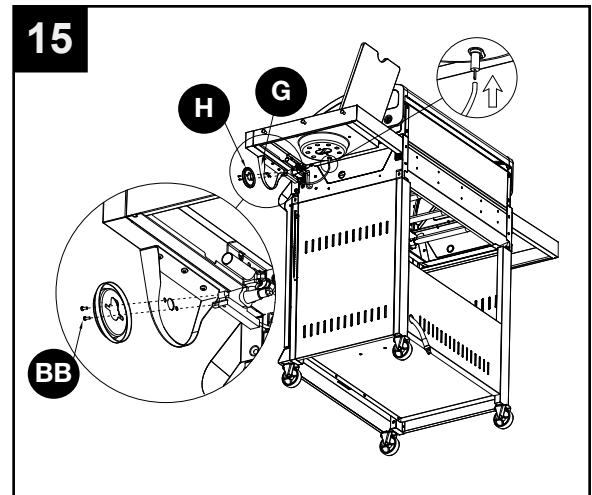


ASSEMBLY INSTRUCTIONS

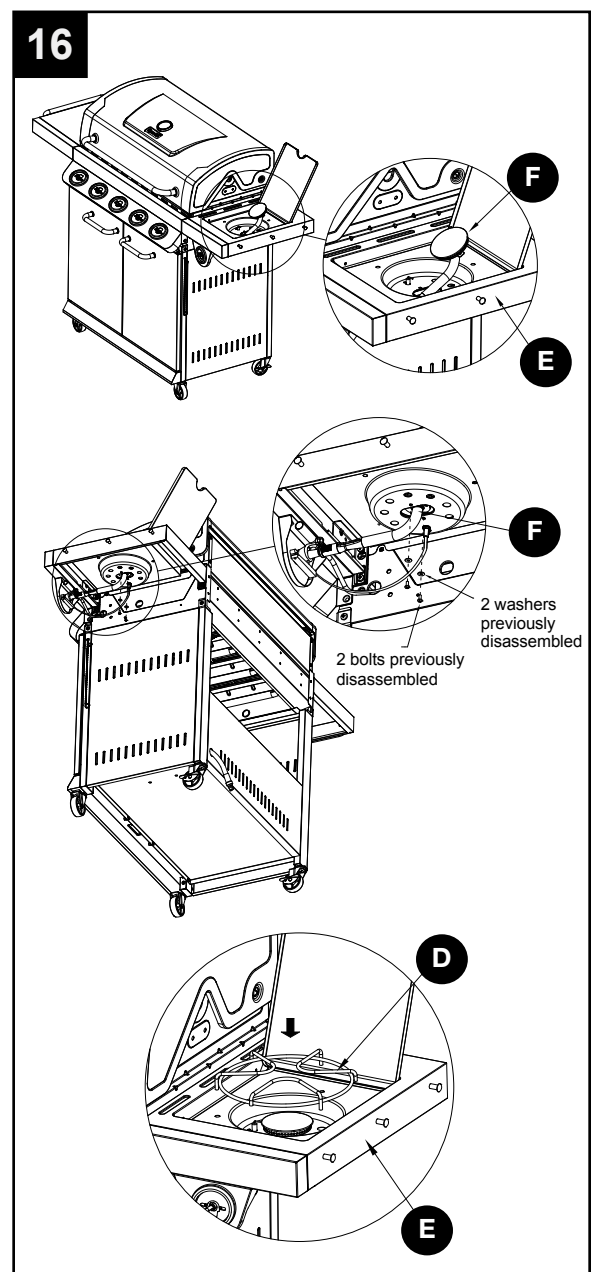
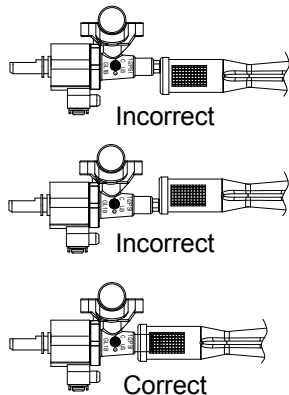
15. Use two M4x12 bolts (BB) to assemble the side burner valve and the side burner control knob bezel (H) to the right side burner control panel (G). Assemble the ignition wire to the side burner electrode.

Hardware Used

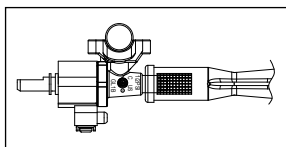
BB M4x12 Bolt  x 2



16. Disassemble two M4x10 bolts and two M4 washers that are pre-assembled on the side burner (F) and use them to assemble the side burner (F) on the right side burner table assembly (E). Make sure the side burner orifice is placed into the gas inlet tube of side burner. Place the side burner cooking grate (D) on the right side burner table assembly (E). Assemble the ignition wire to the side burner electrode.

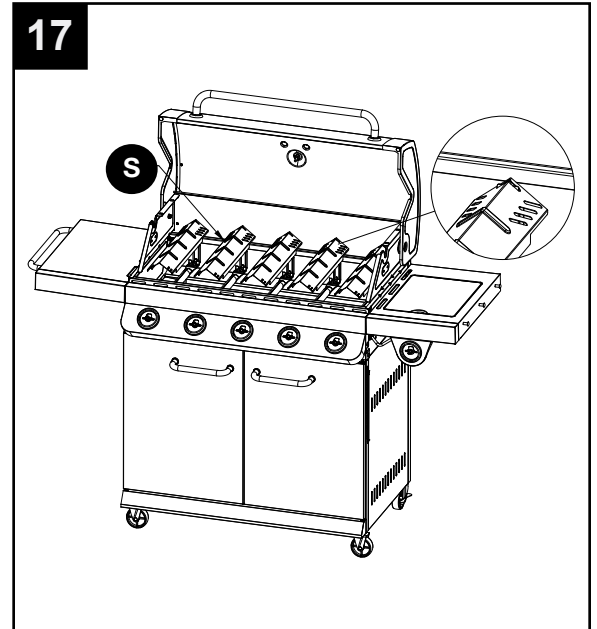


⚠ WARNING: IT IS VERY IMPORTANT TO CHECK AND ENSURE THAT EACH AND EVERY BURNER IS FULLY ENGAGED WITH THE ADJACENT VALVE ORIFICE BEFORE COMPLETING STEP 16. FAILURE TO DO SO MAY RESULT IN FIRE OR EXPLOSION, POSSIBLY CAUSING SERIOUS INJURY OR DEATH. REFER TO MAINTENANCE SECTION INSTRUCTIONS TO PROPERLY CHECK THE ENGAGEMENT.

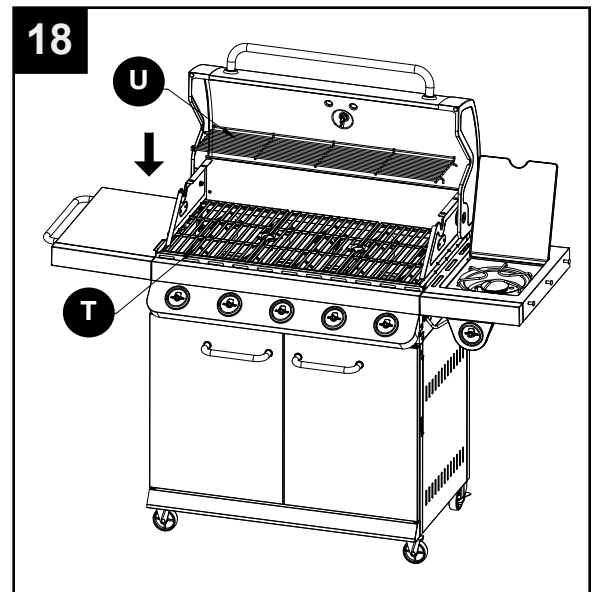


ASSEMBLY INSTRUCTIONS

17. Put five heat tents (S) in place over each burner.

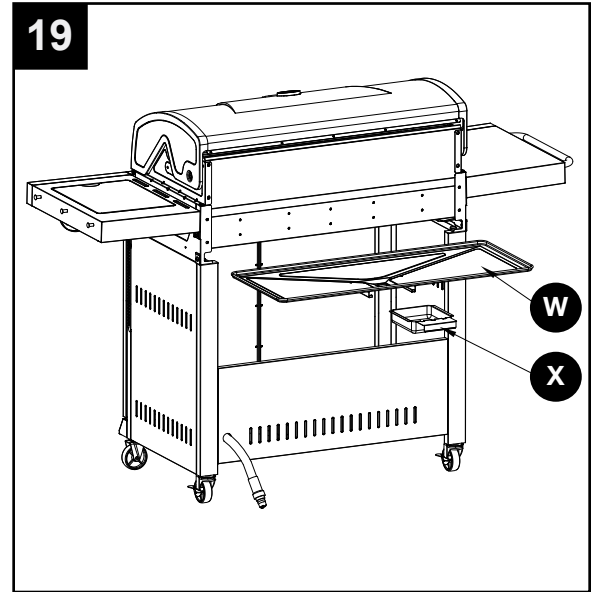


18. Put three cooking grates (T) and one warming rack (U) in place.

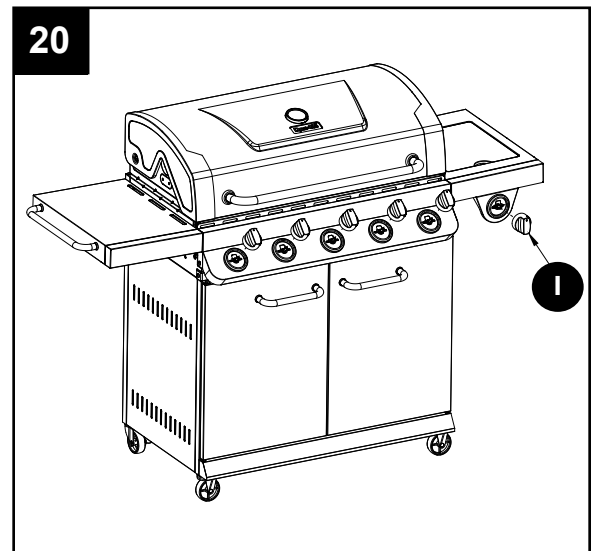


ASSEMBLY INSTRUCTIONS

19. Put the grease pan (W) and grease cup (X) into place.

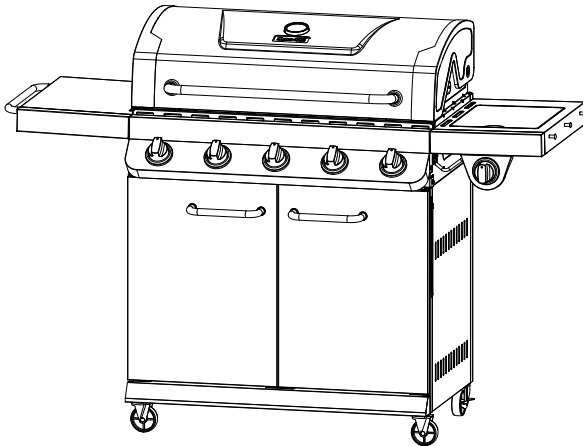


20. Assemble the six control knobs (I) to the valve stems.

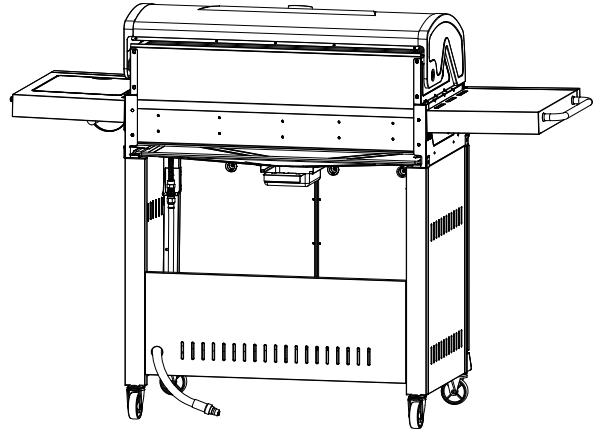


ASSEMBLY INSTRUCTIONS

Fully Assembled



Front View



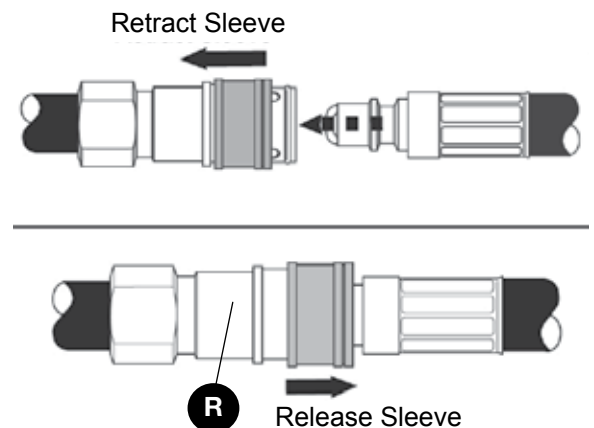
Rear View

CONNECTING THE GRILL TO THE NATURAL GAS SUPPLY

- The quick disconnect socket (R) and supply gas line must be installed by a qualified service agency. The supply connection must be made in accordance with local codes or, in the absence of local codes, with either the National Fuel Gas Code, ANSI Z223.1/NFPA 54, in the USA, or the Natural Gas and Propane Installation Code, CSA B149.1, in Canada.
- A properly sized manual shut-off valve must be installed between the grill and the gas supply piping.
- The grill and its individual shut-off valve must be disconnected from the gas supply piping system during any pressure testing of that system at test pressures in excess of 0.5 PSI (3.5 kPa).
- The grill must be isolated from the gas supply piping system by closing its individual manual shut-off valve during any pressure testing of the gas supply piping system at test pressures equal to or less than 0.5 PSI (3.5 kPa).
- Always connect the flexible gas supply hose to the gas supply before opening the manual shut-off valve.

TO CONNECT:

1. Ensure that the natural gas shut-off valve is closed.
2. Remove the protective rubber caps from the plug and sleeve ends of the quick disconnect fittings. Check that the fittings are clean.
3. Retract the sleeve on the coupling as illustrated.
4. Insert the plug and release the sleeve as illustrated.
5. Push the plug into the sleeve until the sleeve snaps forward to lock the plug in the coupling.
6. Open the natural gas shut-off valve.



TO DISCONNECT:

1. Close natural gas supply at shut-off valve.
2. Push the sleeve back and gently pull out the plug.
3. Replace the protective rubber caps on the plug and sleeve ends of the quick disconnect couplings.

⚠ WARNING

In the connection process, make sure:

- The gas supply hose does not come in contact or remain in contact with the firebox.

CHECKING FOR LEAKS

After all connections are made, check all connections and fittings on the natural gas quick connector, gas hose and manifold for leaks with a water and soap solution.

To prevent fire or explosion while testing for a leak:

- Always perform leak test prior to lighting the grill.
- Do not smoke while testing for a leak.
- Always perform leak tests outdoors in a well-ventilated area.
- Do not use any source of flame while testing for leaks.
- Do not use the grill until any and all leaks are corrected.
- If you are unable to correct a leak, close the natural gas shut-off and call a gas appliance service agency.

PERFORM LEAK TEST

- Prepare leak test solution by combining 1 part liquid dish soap with 3 parts water. Total solution required is approximately 2 - 3 ounces (70 - 90 ml). Put leak test solution in a spray bottle.
- Ensure all control knobs are in the 'OFF' position.
- Connect the gas hose to the gas supply.
- Open the gas shut-off valve.
- Spray leak test solution on all gas carrying connections and fittings. Presence of bubbles at areas of applied test solution indicates a gas leak. If leaks are detected or you smell or hear gas, shut off the gas supply valve immediately and repair or replace the defective part. Do not use the grill until all leaks are corrected.

⚠ CAUTION

Only use the hose assembly provided! If a replacement is necessary, please call our customer service center. Do not use replacement parts that are not intended for this grill.

⚠ WARNING

ALL INSTRUCTIONS AND SAFEGUARDS ON THIS PAGE MUST BE FOLLOWED TO PREVENT FIRE, DAMAGE AND/OR INJURY.

OPERATION INSTRUCTIONS

Lighting The Grill

Before first use:



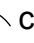


Remove all hangings or plastic straps, if present. Before you cook on your new gas grill, it is important to clean your grill with heat. To do this, operate the grill for approximately 15 minutes with the lid closed and the control knob in the highest position. This will clean the internal parts by burning off any residue and odor from the manufacturing process.


CAUTION

If the flame extinguishes accidentally during ignition or operation, immediately **TURN OFF** the natural gas shut-off valve and then **TURN OFF** the control knob.

WARNING

Do not lean over grill when lighting. Read instructions before lighting. Do not put pots on the sear side burner. Using pots on the sear side burner will result in high carbon monoxide levels.



1. Check that the control knobs are in the  OFF position.
2. Open natural gas supply at shut-off valve.
3. Open the lid during the lighting process.
4. Depress and turn the control knob  counter-clockwise from the  OFF position, past the  ignite position, to the  HIGH position. You may need to repeat this several times to ignite the burner.

If ignition does not occur in 5 seconds, turn the control knob(s) to the  OFF position, wait 5 minutes, and repeat the lighting procedure.

If the burner still does not light, check that the natural gas shut-off valve is open and follow the match lighting instructions. Check the Troubleshooting Guide on page 24 for more information.

OPERATION INSTRUCTIONS

LIGHTING THE GRILL WITH A MATCH

1. Open the lid.
2. Insert a match in the end of the match holder that is installed on the inside of the cabinet door.
3. Light the match.
4. Immediately place the lit match through the spaces in the grill gates near the ports of the burner between the heat tents as shown. Make sure the lit match is close to the burner ports.
5. Press in the control knob that operates the burner and rotate  counter-clockwise to  High position and burner should light immediately.
6. Repeat 2~5 steps to lighting the remaining burners.
7. Adjust burners to desired cooking settings.

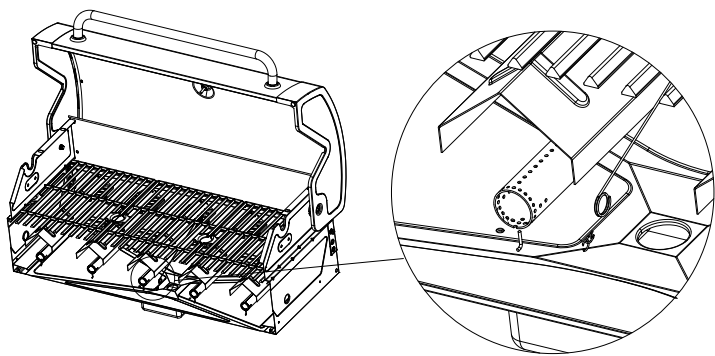
⚠ CAUTION

Make sure all burners controls are off except for the burner being lit and the burners that have been lit.

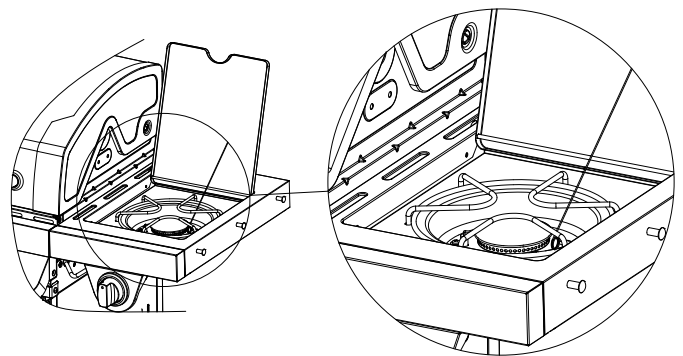
⚠ WARNING

If ignition does not occur in 5 seconds, turn the control knob(s) to “O” OFF position, wait 5 minutes, and repeat the lighting procedure.



Main Burner Match Lighting



Side Burner Match Lighting



SHUTDOWN INSTRUCTIONS

1. Turn control knobs  clockwise to the  OFF position.
2. Close natural gas shut-off valve.
3. Close lid.

Turn off natural gas shut-off valve when appliance is not in use.

CARE AND MAINTENANCE

Cooking Grates

The best time to 'burn-off' the cooking grates is after every use (approx. 15 minutes). The grill is already hot from cooking thus requiring less fuel to obtain necessary temperature for 'burn-off'.

To 'burn off' or heat clean your grill, turn the burners to highest position and run for 15 minutes with the lid closed. Then turn off the burners and use a wire brush to clean excess food residue from the grates.

The porcelain grates have an enamel finish (similar to glass) and should be handled with care not to chip.

⚠ CAUTION

Ensure the grill is cool before cleaning and conducting maintenance and with the gas supply turned off at the natural gas shut-off valve.

Recommended Cleaning Supplies

Mild liquid dish soap, warm water, nylon cleaning pad, wire brush

DO NOT use cleaners that contain acid, mineral spirits or any abrasive substance.

Outside Surfaces

It is recommended to use only mild dish soap and hot water to clean grill and grill parts.

Rinse with warm water.

Inside Bottom Pan of Grill Body

To avoid flare-ups, the bottom pan of the cooking box should be kept clean on a regular basis.

Remove residue using a brush, scraper and/or cleaning pad. Wash with mild dish soap and warm water. Rinse with warm water. Avoid water splashing into venturi tubes of burners.

Heat Tents

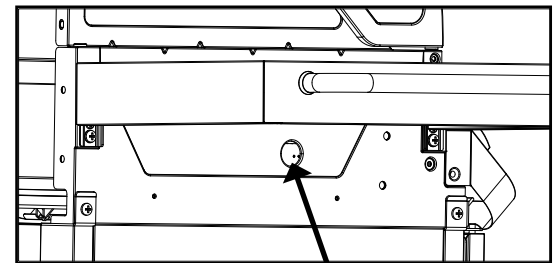
Clean residue with wire brush and wash with mild dish soap and warm water. Rinse with warm water.

Grease Cup

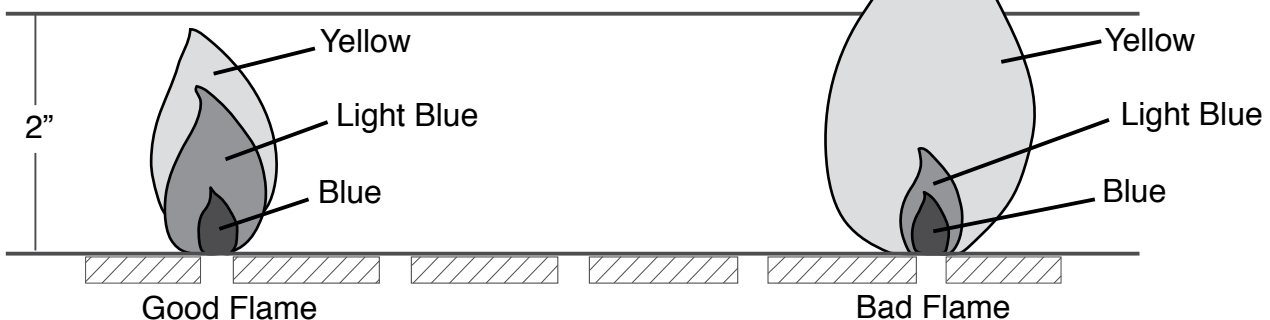
Empty the grease cup and clean with mild dish soap and warm water on a regular basis.

Checking The Flame

For maximum fuel efficiency and cooking performance, flame should be a blue-yellow color and be between 1- 2 inches high. To check the flame, view the flame through the holes in both sides of the firebox.



Hole for viewing the flame



CARE AND MAINTENANCE

Burner Assembly

Removing The Burner Assembly

1. Make sure all control knobs are in the OFF position, gas supply valve is closed, and the gas hose is disconnected from the gas supply.
2. Open lid and remove warming rack, cooking grates, and heat tents.
3. Remove hinge pin as illustrated in Figure 1.
4. Slide main burners out of firebox.
5. Detach ignition wire from electrode in Figure 2.

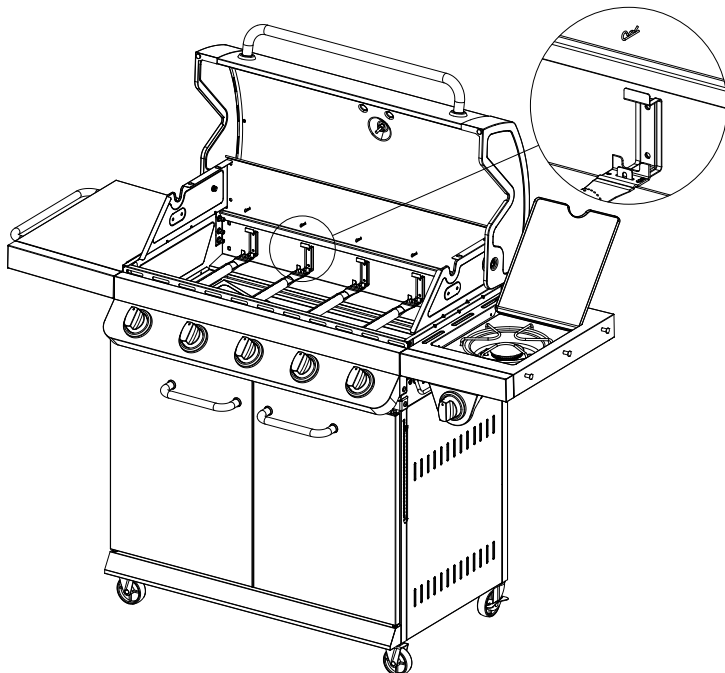
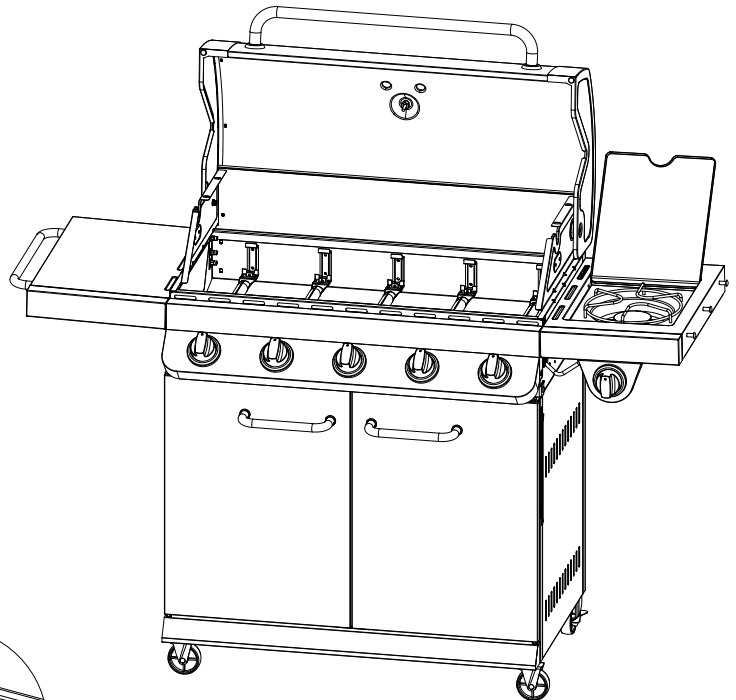
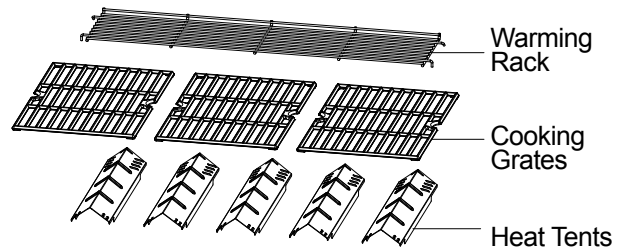


Figure 1

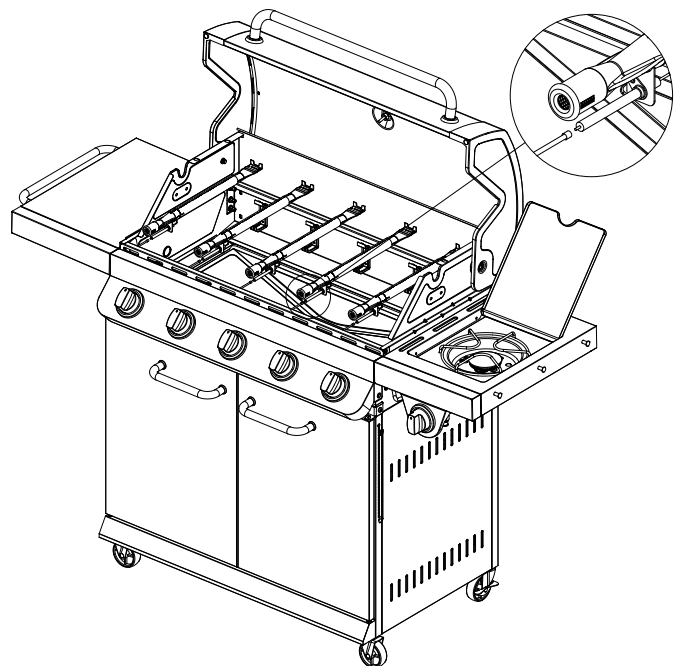


Figure 2

CARE AND MAINTENANCE

Cleaning the Burner Assembly

– Make sure the grill is cool

1. Ensure all burner ports are clear of clogs. Use of a pin or paper clip works well.
2. Ensure burner is free of any damage. If damage is found, replace with new burner.
3. Ensure the end of the burner and primary air screen are clear from insect nests, dirt or debris.

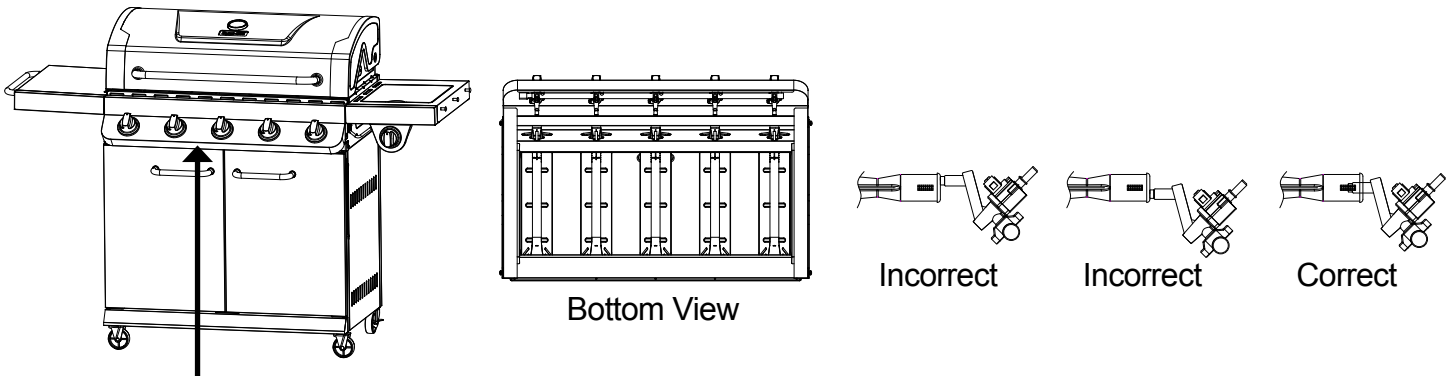
Re-installing the Burner

Ensure that gas valve orifices are correctly positioned inside burner inlet (venturi).

The use of a flashlight may be necessary to ensure the correct position.

It is recommended to view the correct position through the firebox vent holes as illustrated below.

Reattach each burner with the hinge pin and reattach the ignition wire to electrode.



View the correct position
from the bottom of the firebox

⚠ WARNING

If the instructions above are not followed, a fire or explosion may result, possibly causing serious bodily injury or death.

Other Care and Maintenance

It is recommended that inspection and service on this appliance be conducted annually by a qualified service person.

It is recommended that you always check that the outdoor cooking appliance area is clear and free from combustible material, gasoline and other flammable vapors and liquids before lighting.

It is recommended that you regularly check that the flow of combustion and ventilation air is not obstructed.

It is recommended that you regularly check that the ventilation openings of the grill cabinet are free and clear from debris.

It is recommended that you regularly check and clean the burner/venturi tubes for insects and insect nests. A clogged tube can lead to a fire beneath the grill.

TROUBLESHOOTING

If you have any questions regarding the product, please call customer service at 1-877-447-4768, 8:30 a.m. – 4:30 p.m., CST, Monday – Friday.

PROBLEM	POSSIBLE CAUSE	CORRECTIVE ACTION
The burner will not light using the ignitor procedure (weak or no spark being generated).	<ol style="list-style-type: none">1. The igniter electrode may be covered with grease or residue.2. The igniter electrode may have a loose or disconnected wire.3. Cracked or broken ignition electrode.	<ol style="list-style-type: none">1. Clean the ignitor electrode.2. Check the connection and reconnect any loose or disconnected wires.3. Replace ignition electrode (see Replacement Parts List).
Low Heat.	<ol style="list-style-type: none">1. Insufficient gas pressure to the unit.	<ol style="list-style-type: none">1. Call a qualified service agency to check the gas supply pressure and correct the pressure.
Excessive Flare Ups.	<ol style="list-style-type: none">1. Grease and/or residue build-up on heat tents or in firebox.2. Excessive dripping of fat or marinade from food.3. Cooking temperature too high.	<ol style="list-style-type: none">1. Clean the grill components.2. Trim the fat from meat and use non-oil based marinades.3. Lower temperature accordingly.

TROUBLESHOOTING

PROBLEM	POSSIBLE CAUSE	CORRECTIVE ACTION
<p>The burner will not light with a match</p>	<ol style="list-style-type: none"> 1. Match not reaching burners (when holding match with hand). 2. Gas supply shut off. 3. Poor connection between gas hose plug fitting and sleeve coupling. 4. Burner inlet blocked. 	<ol style="list-style-type: none"> 1. Use match holder found in cabinet door. 2. Check that the natural gas supply shut-off valve is open. 3. Turn off the grill knobs, close the gas supply shut-off valve and check the connection between the plug and sleeve coupling. Disconnect and reconnect, if necessary. 4. Clean the burner inlet (venturi) and burner as described by the Care and Maintenance section in the manual.
<p>No gas flow or an obstructed gas flow</p>	<ol style="list-style-type: none"> 1. Gas supply shut off. 2. Poor connection between gas hose plug fitting and sleeve coupling. 3. Burner inlet blocked. 	<ol style="list-style-type: none"> 1. Check that the natural gas supply shut-off valve is open. 2. Turn off the grill knobs, close the gas supply shut-off valve and check the connection between the plug and sleeve coupling. Disconnect and reconnect, if necessary. 3. Clean the burner inlet (venturi) and burner as described by the Care and Maintenance section in the manual.

LIMITED WARRANTY

1-Year Limited Warranty

This natural gas grill is warranted for 1 year (5 years on the Stainless Steel burners) against broken or damaged parts at the time of purchase. It is warranted to be free of defects. Paint is warranted to be free of defects except for rust, which may appear after repeated use.

This warranty does not cover damage or issues related to neglect, abuse, or modifications to the appliance. Repair labor is not covered.

All parts that meet the warranty requirements will be shipped at no charge via the discretion of the manufacturer (ground shipments, US Mail, or Parcel Post ONLY). Any special handling charges (i.e. Second Day, overnight, etc.) will be the responsibility of the consumer.

All warranty claims apply only to the original purchaser and require a proof of purchase verifying purchase date. Do not return parts without first obtaining a return authorization number from our customer service. This service is available by calling toll free 1-877-447-4768, 8:30 a.m. – 4:30 p.m., CST, Monday – Friday.

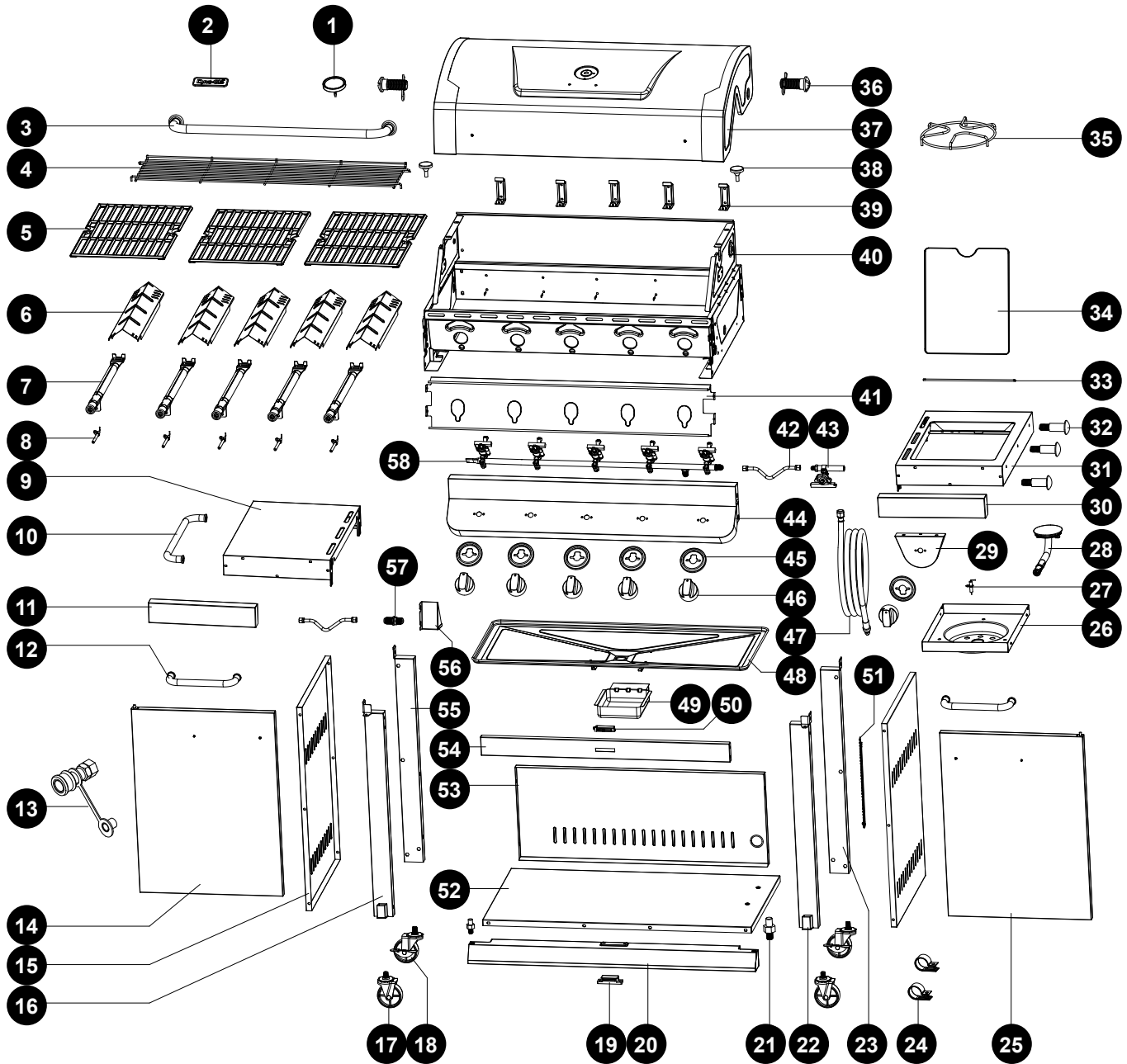
NOTICE: Some states do not allow the exclusion or limitation of incidental or consequential damages or limitations on how long an implied warranty lasts, so the above limitations or exclusions may not apply to you. This warranty gives you specific legal rights and you may also have other legal rights which may vary from state to state.

GHP Group Inc.
6440 W. Howard Street
Niles, IL, USA
60714-3302

Item Name: 5 Burner Premier Natural Gas Grill with Side Burner
Model #: DGP552SSN / DGP552SSN-D / DGP552CSN / DGP552CSN-D /
DGP552GSN / DGP552GSN-D / DGP552MSN / DGP552MSN-D
Main burner total rated BTU: 60,000 BTU/Hr
Side burner rated BTU: 12,000 BTU/Hr

REPLACEMENT PARTS LIST

For replacement parts, call our customer service department at 1-877-447-4768, 8:30 a.m. – 4:30 p.m., CST, Monday – Friday.



PART	DESCRIPTION	PART #
1	Temp gauge assembly	70-01-786
2	Badge	70-01-540
3	Hood handle	70-01-788
4	Warming rack	70-01-789
5	Cooking grate	70-01-790
6	Heat tent	70-01-791
7	Main burner with clip (NG)	70-02-273
8	Main burner sparker	70-01-793
9	Left side table assembly	70-01-794
10	Towel handle	70-01-795

REPLACEMENT PARTS LIST

For replacement parts, call our customer service department at 1-877-447-4768, 8:30 a.m. – 4:30 p.m., CST, Monday – Friday.

PART	DESCRIPTION	PART #
11	Left side table front panel	70-01-796
12	Door handle	70-01-797
13	Quick disconnect coupling (5B)	70-02-281
14	Left door assembly - DGP552SSN / DGP552SSN-D - Stainless	70-01-799
	Left door assembly - DGP552CSN / DGP552CSN-D - Black	70-01-800
	Left door assembly - DGP552GSN / DGP552GSN-D - Gunmetal	70-01-801
	Left door assembly - DGP552MSN / DGP552MSN-D - Mocha	70-01-802
15	Cart left side panel	70-01-803
16	Cart left front leg tube	70-01-804
17	Non-locking swivel caster	70-01-805
18	Locking swivel caster	70-01-806
19	Door magnet A	70-01-807
20	Bottom panel skirt assembly	70-01-808
21	Door axis	70-01-809
22	Cart right front leg tube	70-01-810
23	Cart right rear leg tube	70-01-811
24	Natural gas hose holder	70-02-279
25	Right door assembly - DGP552SSN / DGP552SSN-D - Stainless	70-01-813
	Right door assembly - DGP552CSN / DGP552CSN-D - Black	70-01-814
	Right door assembly - DGP552GSN / DGP552GSN-D - Gunmetal	70-01-815
	Right door assembly - DGP552MSN / DGP552MSN-D - Mocha	70-01-816
26	Side burner pan	70-01-817
27	Side burner sparker	70-01-818
28	Side burner (NG)	70-02-282
29	Right side burner control panel	70-01-820
30	Right side table front panel	70-01-821
31	Right side burner body assembly	70-01-822
32	Tool hook	70-01-823
33	Side burner lid rod	70-01-824
34	Side burner lid	70-01-825
35	Side burner rack	70-01-826
36	Hood hinge (with nut, washer and clip)	70-01-827
37	Hood assembly - DGP552SSN / DGP552SSN-D - Stainless	70-01-828
	Hood assembly - DGP552CSN / DGP552CSN-D - Black	70-01-829
	Hood assembly - DGP552GSN / DGP552GSN-D - Gunmetal	70-01-830
	Hood assembly - DGP552MSN / DGP552MSN-D - Mocha	70-01-831
38	Lid bumper	70-01-832
39	Main burner heat tent support	70-01-833
40	Firebox assembly	70-01-834
41	Control panel heat shield	70-01-835
42	Corrugated hose assembly	70-01-836
43	Side valve (NG)	70-02-283

REPLACEMENT PARTS LIST

For replacement parts, call our customer service department at 1-877-447-4768, 8:30 a.m. – 4:30 p.m., CST, Monday – Friday.

PART	DESCRIPTION	PART #
44	Control panel - DGP552SSN / DGP552SSN-D, DGP552GSN-D / DGP552GSN, DGP552MSN / DGP552MSN-D - Stainless	70-01-838
	Control panel - DGP552CSN-D / DGP552CSN - Black	70-01-839
45	Control knob bezel	70-01-184
46	Control knob	70-01-185
47	Natural gas hose (1/2")	70-02-284
48	Grease pan	70-01-843
49	Grease cup	70-01-844
50	Door magnet B	70-01-845
51	Match holder with chain	70-01-846
52	Cart bottom panel shelf	70-02-285
53	Cart rear panel	70-02-286
54	Upper front door brace	70-01-849
55	Cart left rear leg tube	70-01-899
56	Natural gas hose bracket	70-01-897
57	Connector	70-01-886
58	Main valves and manifold assembly (NG)	70-02-288
AA-FF	Hardware pack	70-09-547

Dyna-Glo®

BARBECUE AU GAZ NATUREL DE PREMIÈRE QUALITÉ À CINQ BRÛLEURS AVEC BRÛLEUR LATÉRAL

N° de modèle : DGP552SSN / DGP552SSN-D /
DGP552CSN / DGP552CSN-D / DGP552GSN /
DGP552GSN-D / DGP552MSN / DGP552MSN-D

English p. 1

Español p. 59



AGRAFEZ VOTRE FACTURE ICI

Numéro de série _____ Date d'achat _____



Des questions, un problème ou des pièces manquantes? Avant de retourner l'article au détaillant, appelez notre service à la clientèle au 1 877 447-4768, entre 8 h 30 et 16 h 30 (HNC), du lundi au vendredi, ou envoyez un courriel à customerservice@ghpgroupinc.com.

TABLE DES MATIÈRES

Informations relatives à la sécurité	32
Contenu de l'emballage	34
Quincaillerie fournie	35
Préparation	35
Instructions d'assemblage	36
Instructions de fonctionnement	47
Entretien et maintenance	50
Dépannage	53
Garantie	55
Liste des pièces de rechange	56

Assembleur/installateur : Ce guide contient des informations importantes nécessaires au bon assemblage et à l'utilisation sécuritaire de cet appareil. Veuillez lire et suivre tous les avertissements et toutes les instructions avant d'assembler et d'utiliser cet appareil. **Laissez ces instructions au consommateur.**

Consommateur/utilisateur : Veuillez respecter tous les avertissements et toutes les instructions en utilisant cet appareil.

Veillez conserver ces instructions pour consultation future.



DANGER

Si vous sentez une odeur de gaz :

- 1. Coupez l'admission de gaz de l'appareil.**
- 2. Éteignez toute flamme nue.**
- 3. Ouvrez le couvercle.**
- 4. Si l'odeur persiste, éloignez-vous de l'appareil et appelez immédiatement le service d'incendie local.**



AVERTISSEMENT

- 1. N'entrez pas et n'utilisez pas d'essence ou d'autres liquides ou vapeurs inflammables à proximité de cet appareil ou de tout autre appareil.**
- 2. Une bouteille de propane liquide qui n'est pas raccordée en vue de son utilisation ne doit pas être entreposée dans le voisinage de cet appareil ou de tout autre appareil.**
- 3. Ce barbecue est pour utilisation extérieure uniquement et ne doit pas être utilisé dans un bâtiment, un garage ou aucun autre espace fermé ou sous une structure similaire.**
- 4. Ne laissez pas le barbecue sans surveillance pendant qu'il est allumé. Gardez les enfants et les animaux domestiques loin du barbecue en tout temps.**



INFORMATIONS RELATIVES À LA SÉCURITÉ

Veillez lire et comprendre le présent guide avant de tenter d'assembler, d'utiliser ou d'installer le produit. Si vous avez des questions concernant le produit, veuillez appeler le service à la clientèle au : 1 877 447-4768, entre 8 h 30 et 16 h 30 (HNC), du lundi au vendredi.

DANGER

- N'utilisez pas cet appareil dans une atmosphère explosive. Assurez-vous que l'espace autour du barbecue est dégagé et ne contient pas de matières inflammables, d'essence ou d'autres liquides ou vapeurs inflammables.

AVERTISSEMENT

Ce produit et les combustibles utilisés pour le faire fonctionner (propane liquide ou gaz naturel), de même que les produits de leur combustion, peuvent vous exposer à des substances chimiques comme le benzène, reconnu par l'État de la Californie comme causant le cancer et des problèmes de reproduction.

Pour plus de renseignements, visitez le www.p65Warnings.ca.gov

MISE EN GARDE

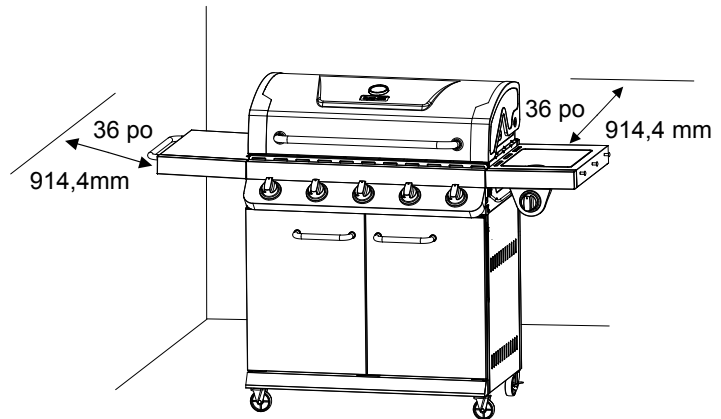
- N'utilisez pas d'essence, de kérosène ni d'alcool pour l'allumage.
- Ce barbecue n'est pas destiné à être utilisé ou installé sur un véhicule récréatif ou un bateau.
- Ouvrez toujours le couvercle du barbecue lentement et avec précaution, car la chaleur et la vapeur emprisonnées qui s'en échappent peuvent causer des brûlures graves.
- N'essayez jamais de faire fonctionner ce barbecue avec du propane.
- Demandez toujours à un service d'entretien autorisé d'installer toute la tuyauterie d'alimentation en gaz nécessaire, la vanne d'arrêt manuel et les raccords à branchement rapide.



⚠ AVERTISSEMENT

- Ne placez pas le barbecue sous des constructions inflammables ou des auvents. Le dégagement minimum entre l'appareil, sur les côtés et à l'arrière, et les constructions inflammables est de 36 po (914,4 mm).

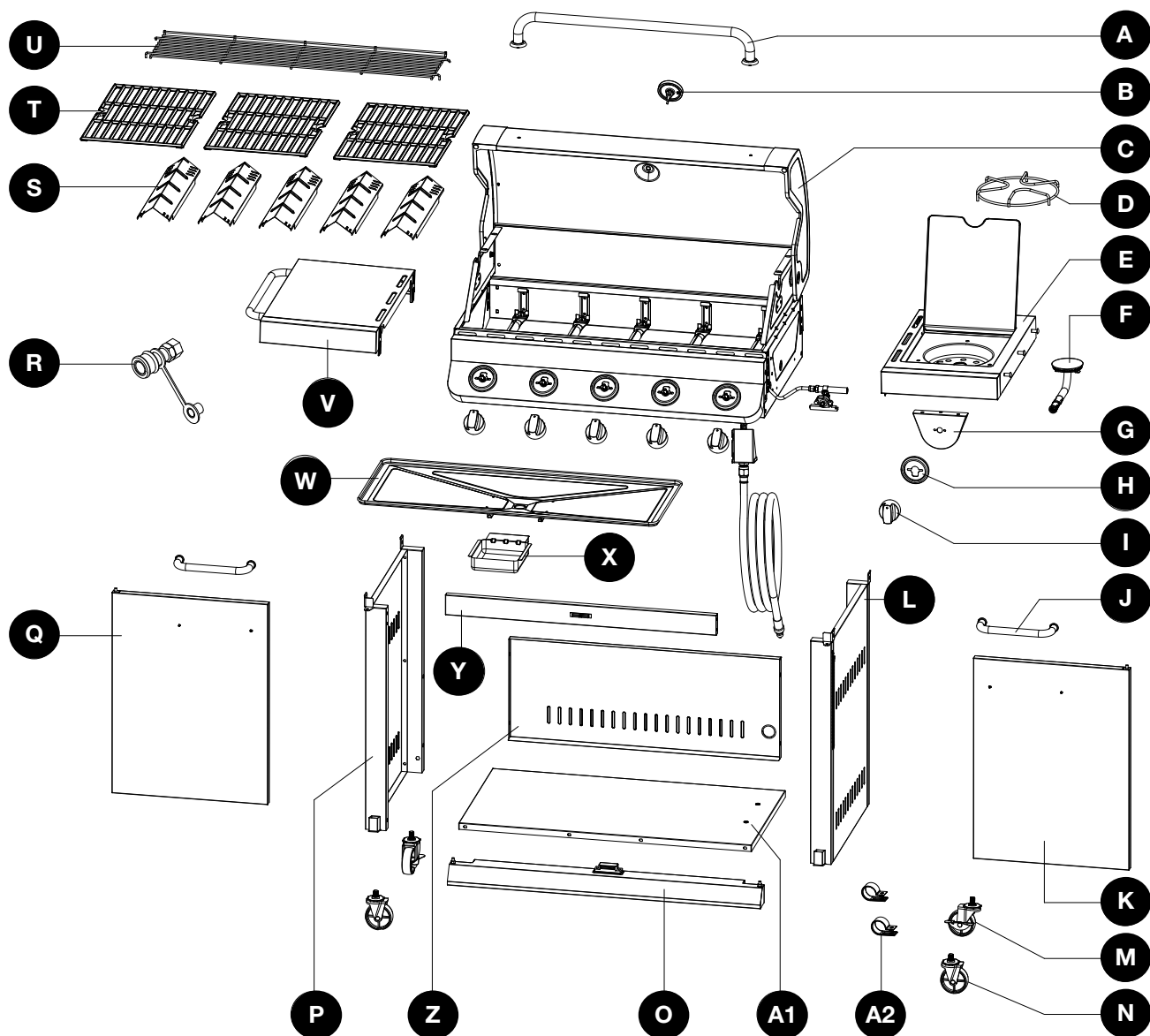
REMARQUE : L'installation doit être conforme aux codes locaux ou, en l'absence de codes locaux, au code ANSI Z223.1/NFPA 54 intitulé « National Fuel Gas Code » (code national des gaz combustibles), au code CSA B149.1 intitulé « Code d'installation du gaz naturel et du propane » ou au code CSA B149.2 intitulé « Code sur le stockage et la manipulation du propane ».



⚠ MISE EN GARDE

- Ne pas entreposer ni utiliser de l'essence ni d'autres vapeurs ou liquides inflammables dans le voisinage de l'appareil, ni de tout autre appareil. Ne rangez aucun produit inflammable dans le chariot du barbecue.
- Une bouteille de propane liquide ne doit pas être entreposée à proximité de cet appareil ou de tout autre appareil.
- Ce barbecue est conçu pour être utilisé uniquement avec du gaz naturel.
- Ne tentez jamais de raccorder ce barbecue au système autonome d'alimentation en gaz propane d'un bateau d'une caravane, d'une autocaravane ou d'une résidence.
- Ne tentez jamais de déplacer le barbecue lorsqu'il est allumé ou toujours chaud. Verrouillez toujours les roulettes avec frein lorsque vous ne déplacez pas le barbecue.
- N'utilisez pas le barbecue tant qu'il n'est pas complètement assemblé et tant que toutes les pièces ne sont pas fixées et serrées solidement.
- Maintenez tout objet ou toute surface combustible à une distance d'au moins 91,44 cm (36 po) du barbecue, et ce, en tout temps.
- Ne touchez pas les éléments en métal du barbecue avant que celui-ci ne soit complètement refroidi (environ 45 minutes) afin d'éviter les brûlures, à moins d'utiliser des articles de protection (poignées, gants, mitaines pour le barbecue, etc.).
- Ne modifiez ce barbecue d'aucune façon.
- Nettoyez et inspectez le tuyau avant chaque utilisation. Si vous constatez des signes d'abrasion ou d'usure, ou s'il est coupé ou qu'il fuit, il est important de le remplacer avant de faire fonctionner l'appareil. Vous devez utiliser l'ensemble de tuyau de remplacement précisé par le fabricant, lequel est indiqué dans la liste des pièces de rechange de ce manuel.
- Éloignez les tuyaux à gaz le plus loin possible des surfaces chaudes ou des débordements de graisse chaude.
- Assurez-vous que le compartiment du robinet du barbecue, ses brûleurs et les conduits d'aération sont toujours propres. Inspectez le barbecue avant chaque utilisation. N'entravez pas le flux de gaz ou d'air de la ventilation.
- L'alcool, les médicaments sous ordonnance et les médicaments vendus sans ordonnance peuvent affecter les facultés de l'utilisateur, l'empêchant d'assembler ce barbecue correctement ou de l'utiliser de manière sécuritaire.
- **Ne laissez pas un barbecue allumé sans surveillance. Gardez le barbecue hors de la portée des enfants et des animaux en tout temps.**
- Ne le placez pas sur une table. Placez le barbecue sur une surface plane.
- N'utilisez pas ce barbecue dans des conditions de grands vents.

CONTENU DE L'EMBALLAGE

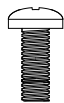


PIÈCE	DESCRIPTION	QUANTITÉ
A	Poignée du couvercle	1
B	Jauge de température	1
C	Bâti du barbecue	1
D	Support du brûleur latéral	1
E	Bâti du brûleur latéral droit	1
F	Brûleur latéral	1
G	Panneau de contrôle du brûleur latéral droit	1
H	Collerette du bouton de commande	1
I	Bouton de commande	6
J	Poignée de porte	2
K	Porte droite	1
L	Panneau droit du chariot	1
M	Roulette à blocage	2
N	Roulette sans blocage	2

PIÈCE	DESCRIPTION	QUANTITÉ
O	Jupe du panneau inférieur	1
P	Panneau gauche du chariot	1
Q	Porte gauche	1
R	Raccord pour déconnexion rapide	1
S	Plaque de rayonnement	5
T	Grille de cuisson	3
U	Grille d'attente	1
V	Plateau latéral gauche	1
W	Plateau à graisse	1
X	Récupérateur de graisse	1
Y	Support supérieur de porte	1
Z	Panneau arrière du chariot	1
A1	Tablette du panneau inférieur du chariot	1
A2	Attache de tuyau de gaz naturel	2

QUINCAILLERIE FOURNIE

AA



Boulon
M6 x 16 mm

Qté 37

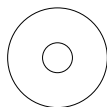
BB



Boulon
M4 x 12 mm

Qté 4

CC



Rondelle plate
M6

Qté 2

DD



Rondelle élastique
M6

Qté 2

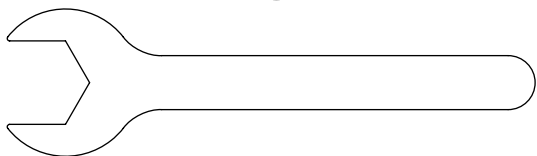
EE



Écrou à oreilles
M6

Qté 2

FF



Clé

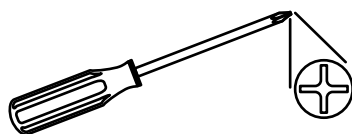
Qté 1

PRÉPARATION

Avant de commencer l'assemblage du foyer, assurez-vous d'avoir toutes les pièces. Comparez les pièces à la liste de contenu de l'emballage et de quincaillerie à la page précédente. Si des pièces sont manquantes ou défectueuses, n'essayez pas d'assembler le produit. Veuillez communiquer avec le service à la clientèle afin d'obtenir des pièces de rechange.

Estimation du temps d'assemblage : 50 minutes, à deux personnes

Outils nécessaires pour l'assemblage et l'essai d'étanchéité (non compris) : tournevis cruciforme, flacon pulvérisateur



⚠ MISE EN GARDE

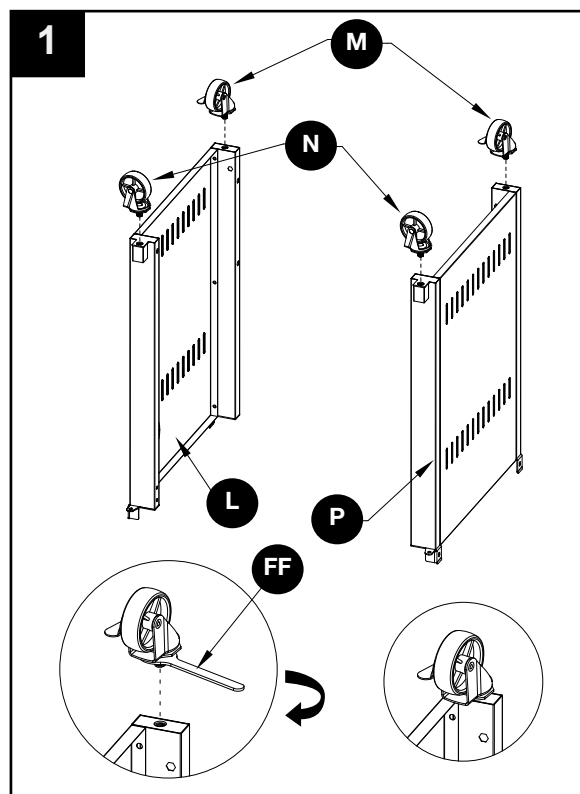
CET APPAREIL EST LOURD. Deux personnes sont requises pour assembler cet appareil en toute sécurité.

Deux personnes sont requises pour assembler cet appareil en toute sécurité. Certaines pièces peuvent avoir des bords tranchants. Portez des gants de protection si nécessaire. Veuillez lire et respecter les avis de sécurité, les avertissements ainsi que les instructions d'assemblage, d'utilisation et d'entretien avant d'assembler et de mettre en marche l'appareil.

INSTRUCTIONS D'ASSEMBLAGE

1. Fixez les deux roulettes à blocage (M) et les deux roulettes sans blocage (N) au panneau gauche (P) et au panneau droit (L) du chariot à l'aide de la clé (FF).

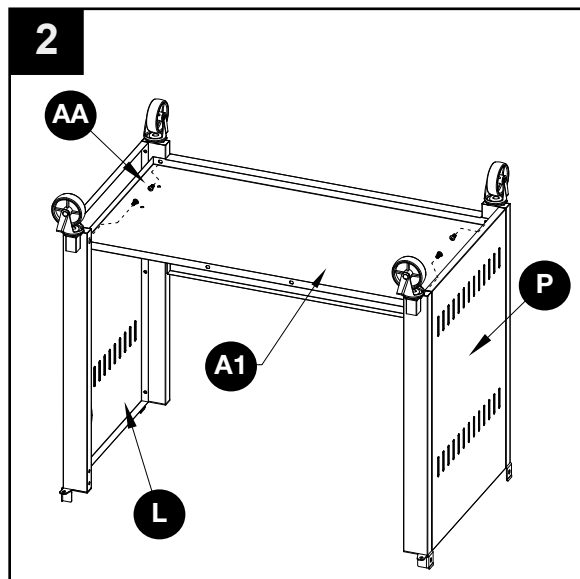
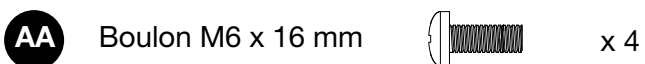
Matériel utilisé



2. Fixez le panneau gauche (P) et le panneau droit (L) du chariot à la tablette du panneau inférieur du chariot (A1) avec quatre boulons M6 x 16 mm (AA).

NE SERREZ PAS COMPLÈTEMENT LES BOULONS À CE STADE.


Matériel utilisé

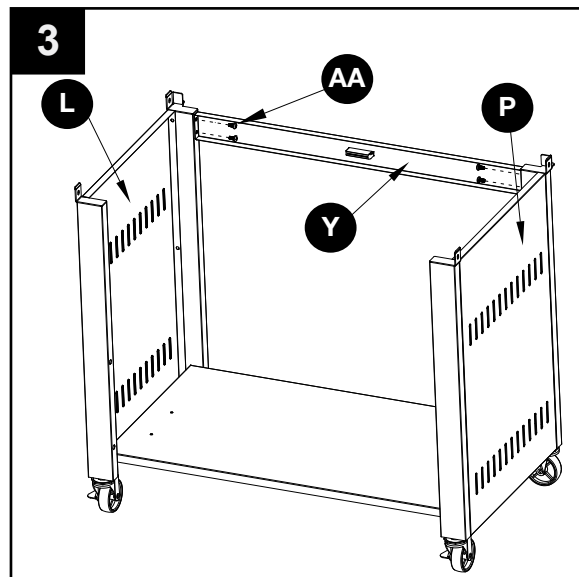


INSTRUCTIONS D'ASSEMBLAGE

3. Fixez le support supérieur de porte (Y) au panneau gauche (P) et au panneau droit (L) du chariot avec quatre boulons M6 x 16 mm (AA).


Matériel utilisé

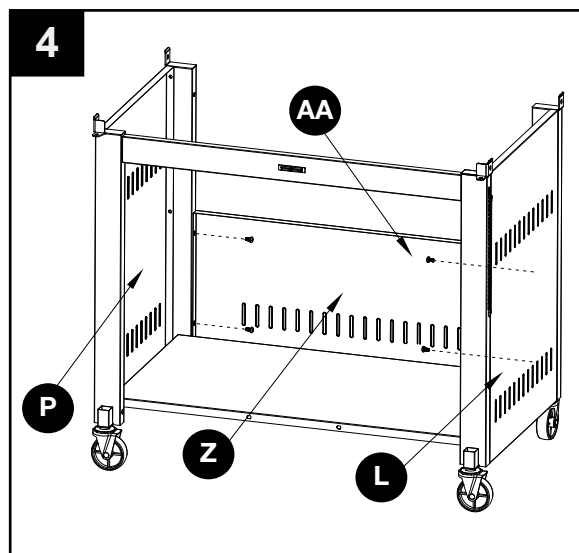
AA Boulon M6 x 16 mm  x 4



4. Fixez le panneau arrière du chariot (Z) au panneau gauche (P) et au panneau droit (L) du chariot avec quatre boulons M6 x 16 mm (AA).

Matériel utilisé

AA Boulon M6 x 16 mm  x 4




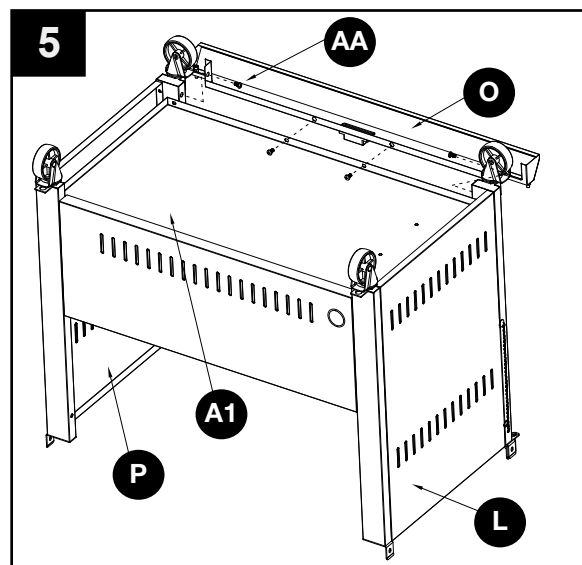
INSTRUCTIONS D'ASSEMBLAGE

5. Fixez la jupe du panneau inférieur (O) à la tablette du panneau inférieur (A1), au panneau gauche (P) et au panneau droit (L) du chariot avec quatre boulons M6 x 16 mm (AA).

Serrez fermement TOUS les boulons de l'étape 2.


Matériel utilisé

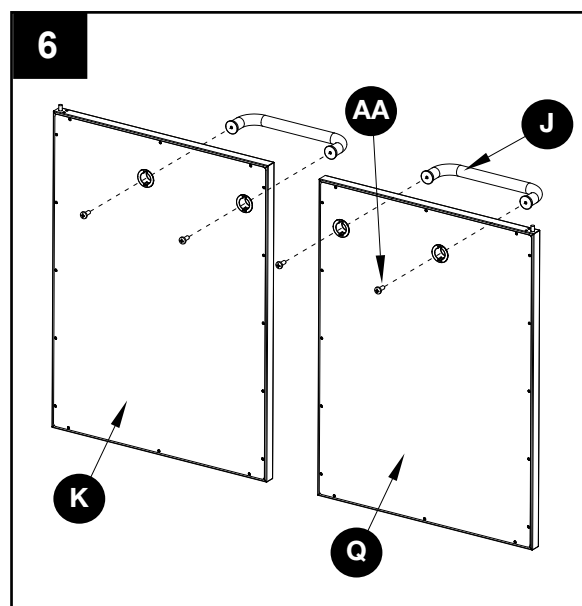
AA Boulon M6 x 16 mm  x 4



6. Fixez les poignées de porte (J) à la porte gauche (Q) et à la porte droite (K) avec quatre boulons M6 x 16 mm (AA).

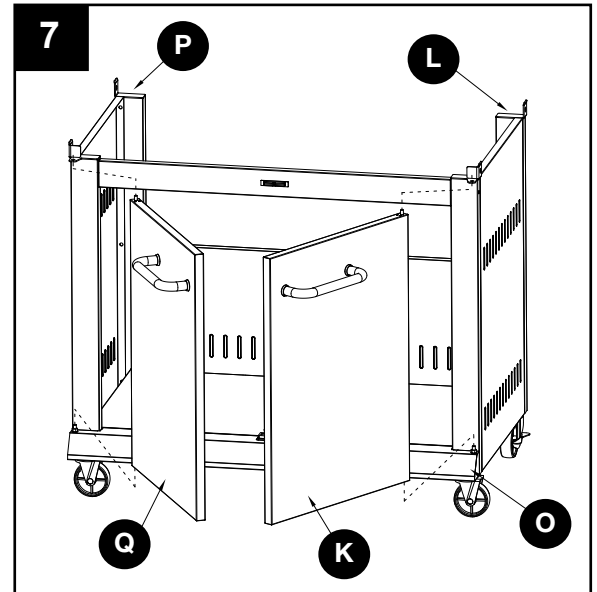
Matériel utilisé

AA Boulon M6 x 16 mm  x 4




INSTRUCTIONS D'ASSEMBLAGE

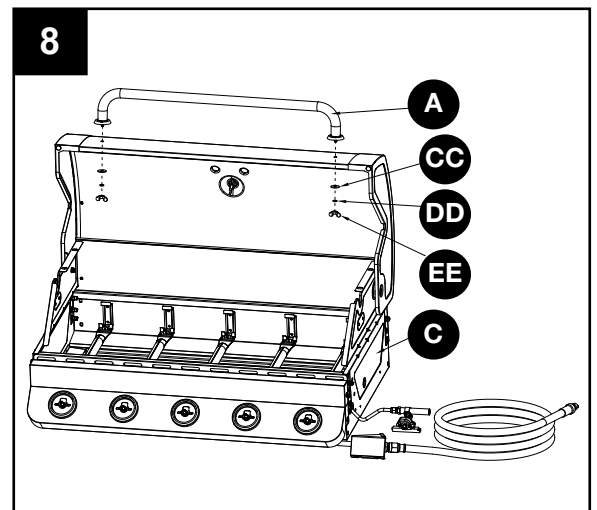
7. Insérez l'axe de charnière inférieur de la jupe du panneau inférieur du chariot (O) dans le trou inférieur de la porte gauche (Q), puis insérez l'axe de charnière supérieur à ressort de la porte dans le trou du panneau gauche du chariot (P), comme illustré.
Faites de même avec la porte droite (K).



8. Fixez la poignée du couvercle (A) au bâti du barbecue (C) avec deux écrous à oreilles M6 (EE), deux rondelles élastiques M6 (DD) et deux rondelles plate M6 (CC).

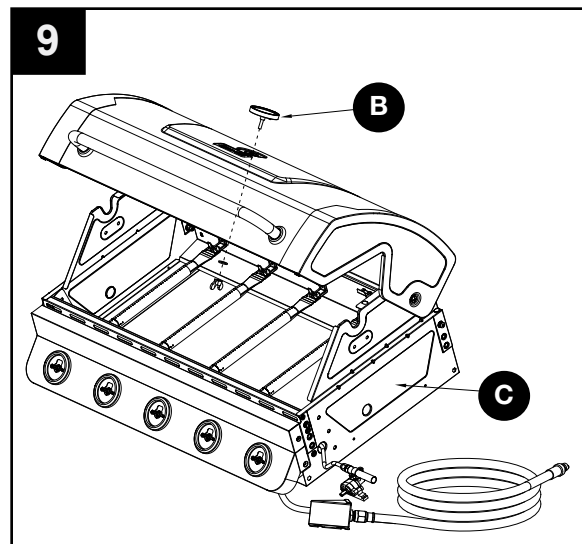
Matériel utilisé

CC	Rondelle plate M6		x 2
DD	Rondelle élastique M6		x 2
EE	Écrou à oreilles M6		x 2



INSTRUCTIONS D'ASSEMBLAGE


9. Enlevez l'écrou à oreilles et la rondelle plate préassemblés sur la jauge de température (B), puis fixez la jauge de température (B) au bâti du barbecue (C). Fixez la jauge de température (B) avec l'écrou à oreilles et la rondelle plate retirés précédemment.

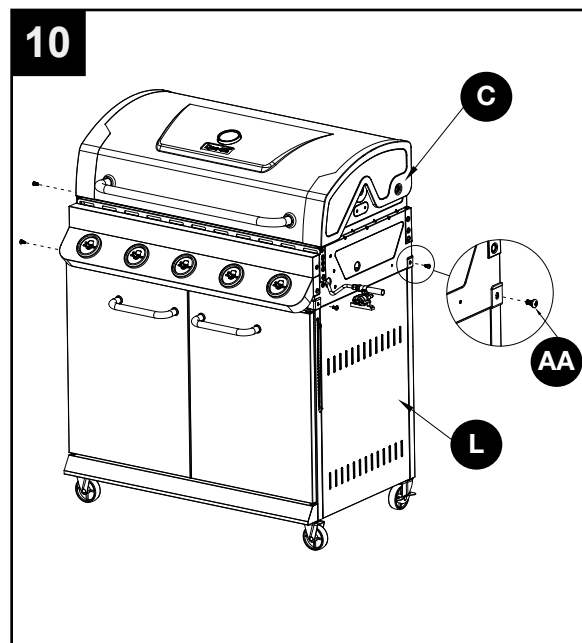


10. Placez doucement le bâti du barbecue (C) sur le panneau gauche (P) et le panneau droit (L) du chariot. Ajustez le bâti du barbecue (C) pour que ses trous soient alignés avec ceux des languettes du panneau gauche (P) et du panneau droit (L) du chariot.

Remarque : Assurez-vous du tuyau de gaz naturel soit à l'intérieur du chariot. Fixez le bâti du barbecue (C) avec quatre boulons M6 x 16 mm (AA)

Matériel utilisé

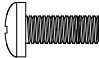

- AA** Boulon M6 x 16 mm  x 4

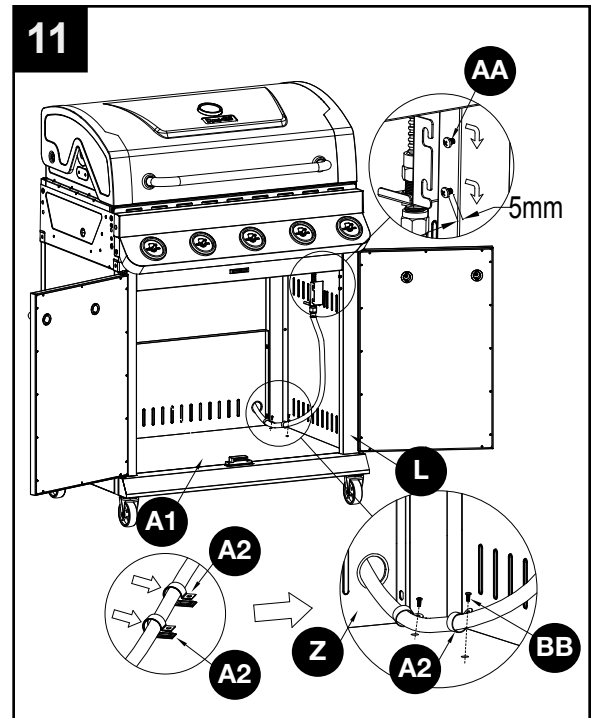


INSTRUCTIONS D'ASSEMBLAGE


11. Placez deux boulons M6 x 16 mm (AA) sur le panneau droit (L) du chariot sans les serrer. Assurez-vous de laisser un espace de 5 mm entre les boulons et le panneau. Placez ensuite le support du tuyau du gaz naturel sur les boulons, puis serrez les deux boulons. Placez les deux attaches (A2) sur le tuyau de gaz naturel. Fixez ensuite les attaches (A2) à la tablette inférieure (A1) avec deux boulons M4 x 12 mm (BB).
REMARQUE : Assurez-vous que le tuyau passe dans le trou du panneau arrière du chariot (Z).

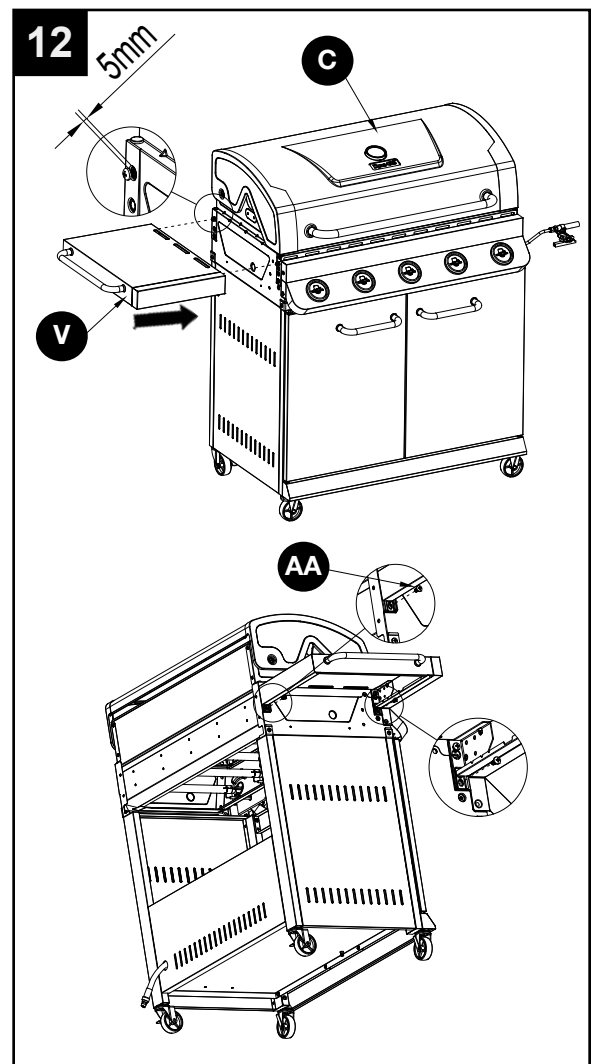
Matériel utilisé

AA	Boulon M6 x 16 mm		x 2
BB	Boulon M4 x 12 mm		x 2



12. Insérez deux boulons M6 x 16 mm (AA) dans le côté gauche du bâti du barbecue (C), comme illustré, en laissant 5 mm de filet exposé. Alignez les trous du plateau latéral gauche (V) avec les deux boulons insérés dans le bâti du barbecue (C), puis insérez deux vis M6 x 16 mm (AA) dans les derniers trous du bâti du barbecue (C). Ajustez adéquatement le plateau latéral gauche (V), puis serrez les boulons.

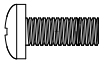
AA	Boulon M6 x 16 mm		x 4
-----------	-------------------	---	-----

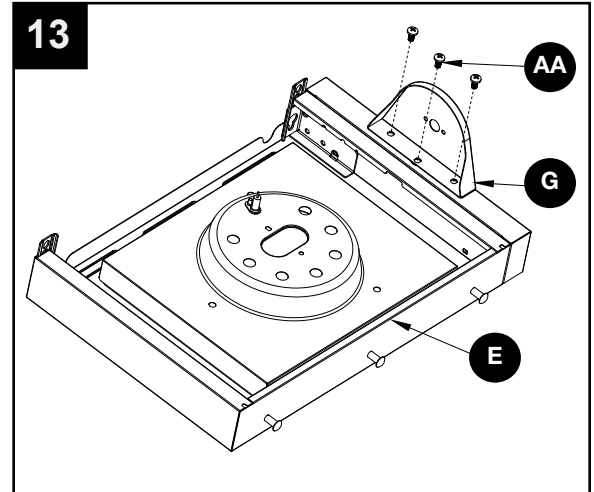


INSTRUCTIONS D'ASSEMBLAGE

13. Fixez le panneau de contrôle du brûleur latéral droit (G) au bâti du brûleur latéral droit (E) avec trois boulons M6 x 16 mm (AA).

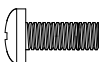
Matériel utilisé

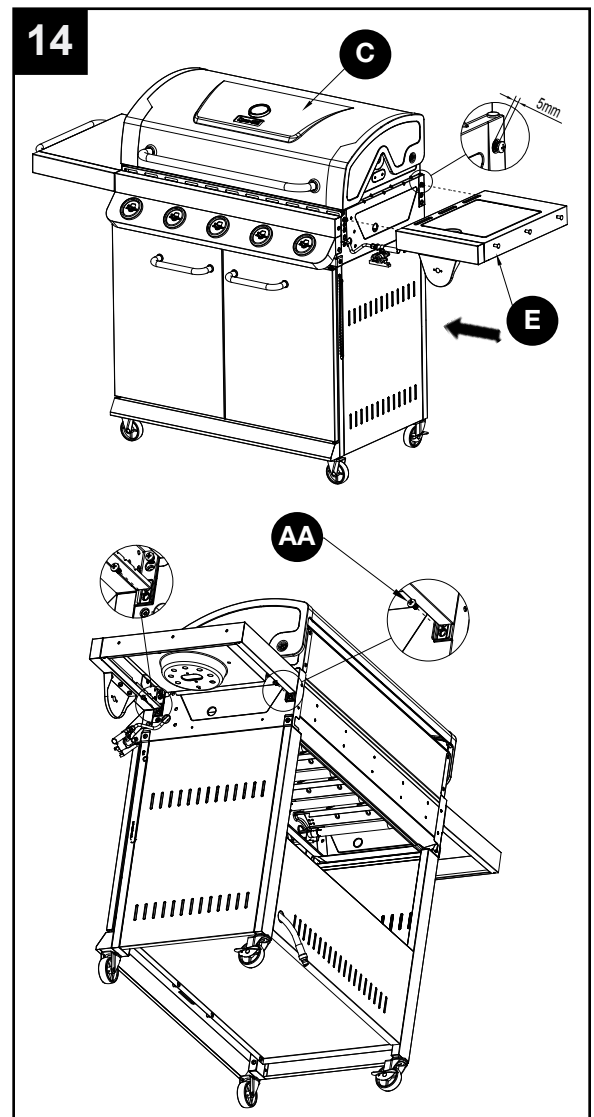
AA Boulon M6 x 16 mm  x 3



14. Insérez deux boulons M6 x 16 mm (AA) dans le côté droit du bâti du barbecue (C) comme illustré, en laissant 5 mm de filet exposé. Alignez les trous du plateau latéral droit (E) avec les deux boulons insérés dans le bâti du barbecue (C), puis insérez deux boulons M6 x 16 mm (AA) dans les derniers trous du bâti du barbecue (C). Ajustez adéquatement le plateau latéral droit (E), puis serrez les boulons.

Matériel utilisé


AA Boulon M6 x 16 mm  x 4



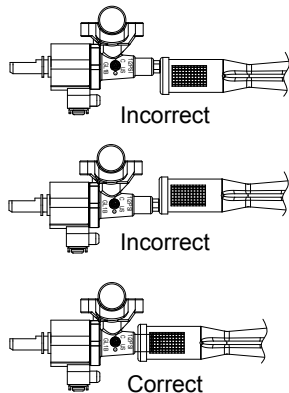
INSTRUCTIONS D'ASSEMBLAGE

15. Utilisez deux boulons M4 x 12 mm (BB) pour fixer la vanne du brûleur latéral et la collerette du bouton de commande du brûleur latéral (H) au panneau de contrôle du brûleur latéral droit (G). Connectez le fil d'allumage à l'électrode du brûleur latéral.

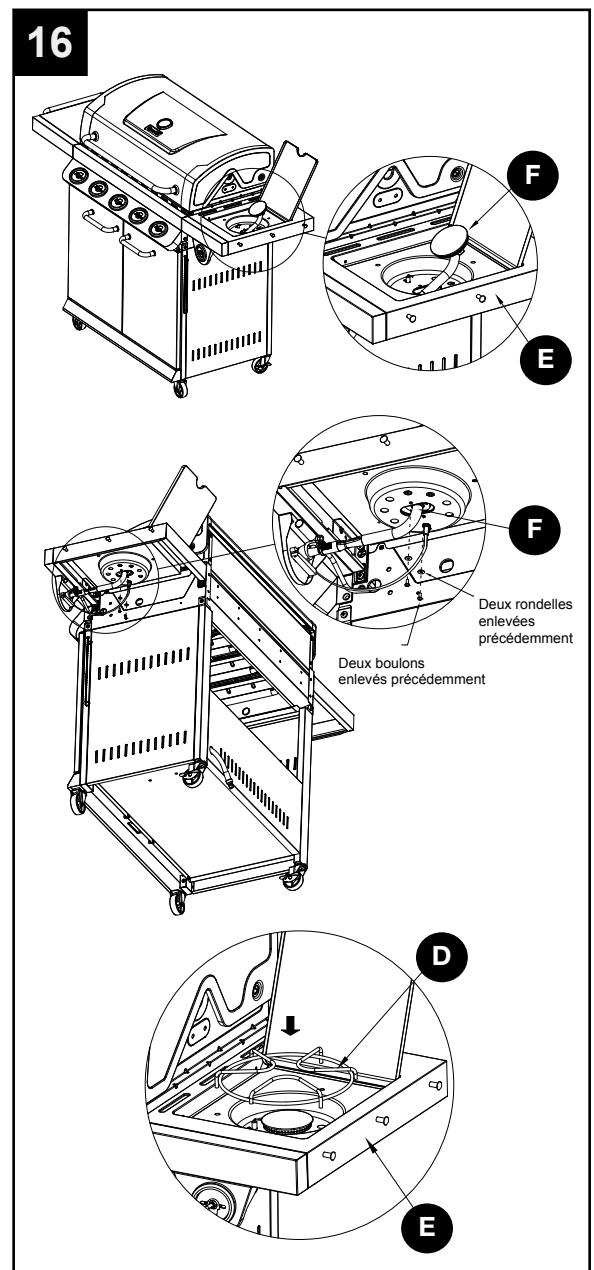
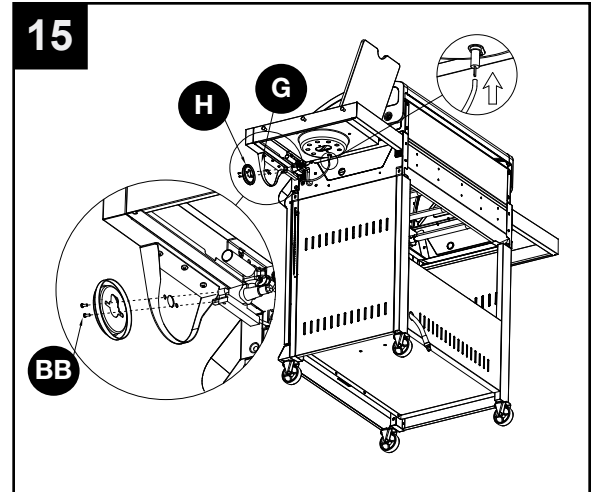
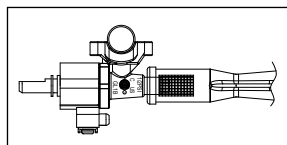
Matériel utilisé

BB Boulon M4 x 12 mm  x 2

16. Enlevez les deux boulons M4 x 10 mm et les deux rondelles M4 préassemblés sur le brûleur latéral (F) et utilisez-les pour fixer le brûleur latéral (F) à la tablette du brûleur latéral droit (E). Assurez-vous que le tube d'admission de gaz du brûleur latéral est placé dans l'orifice du brûleur latéral. Placez la grille de cuisson du brûleur latéral (D) sur la tablette du brûleur latéral droit (E). Connectez le fil d'allumage à l'électrode du brûleur latéral.

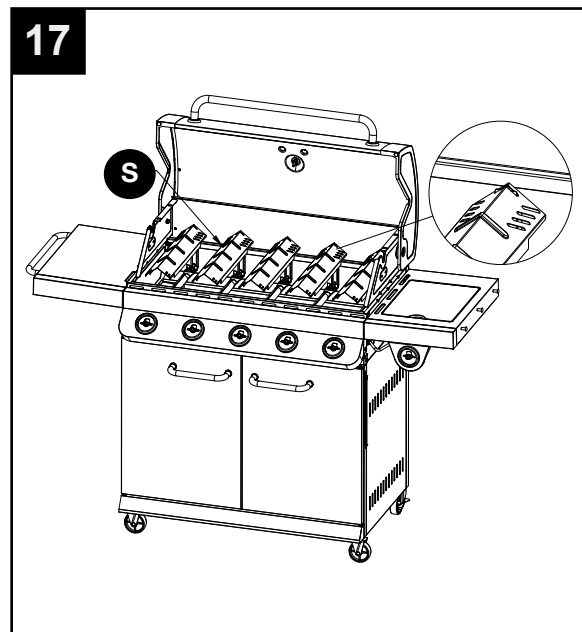


⚠ AVERTISSEMENT : IL EST TRÈS IMPORTANT DE VÉRIFIER QUE CHAQUE BRÛLEUR EST BIEN ENFONCÉ DANS L'ORIFICE DE LA VANNE ADJACENTE AVANT DE COMPLÉTER L'ÉTAPE 16. OMETTRE DE LE FAIRE POURRAIT PROVOQUER UN INCENDIE OU UNE EXPLOSION ET CAUSER DES BLESSURES GRAVES OU MÊME LA MORT. RÉFÉREZ-VOUS À LA SECTION SUR LA MAINTENANCE POUR BIEN VÉRIFIER L'ENFONCEMENT.

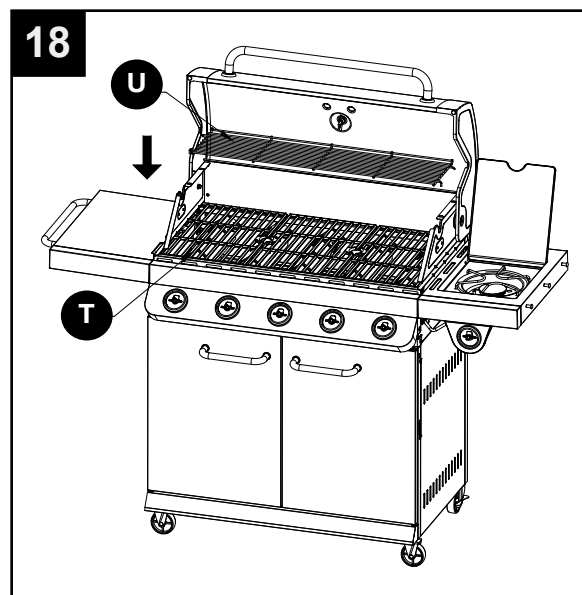


INSTRUCTIONS D'ASSEMBLAGE

17. Placez les cinq plaques de rayonnement (S) sur chaque brûleur.

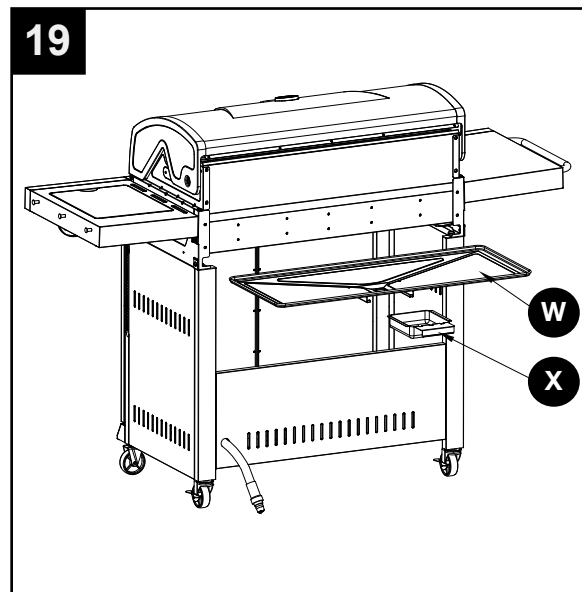


18. Placez les trois grilles de cuisson (T) et la grille d'attente (U).

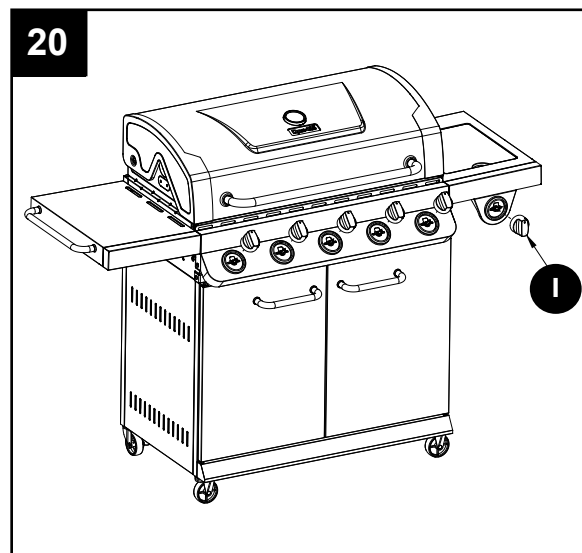


INSTRUCTIONS D'ASSEMBLAGE

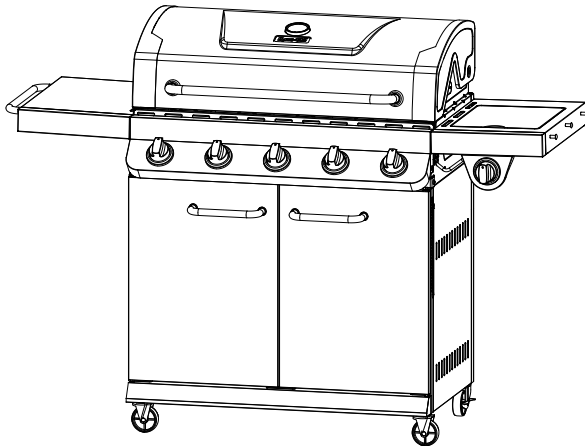
19. Placez le plateau à graisse (W) ainsi que le récupérateur de graisse (X).



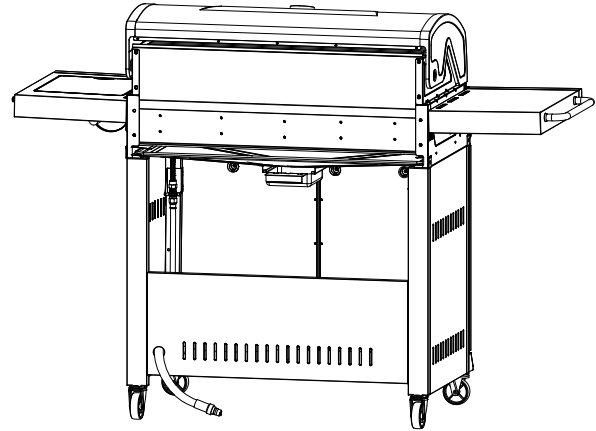
20. Assemblez les six boutons de commande (I) aux tiges de la vanne.



Entièrement assemblé



Vue de face



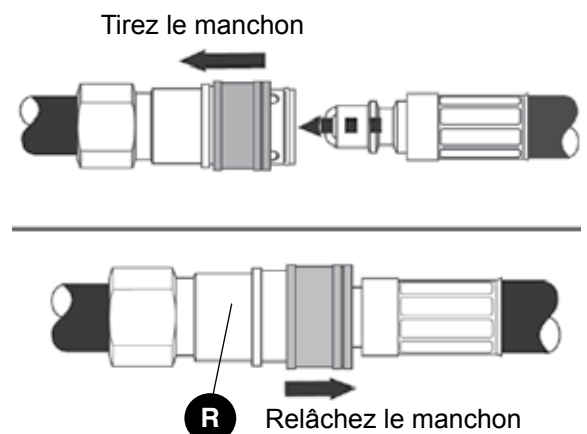
Vue arrière

RACCORD DU BARBECUE À L'ALIMENTATION EN GAZ NATUREL

- La douille de débranchement rapide (R) et le tuyau d'alimentation en gaz doivent être installés par un service d'entretien autorisé. Le raccord d'alimentation doit être réalisé selon la réglementation locale ou, en l'absence d'une telle réglementation, selon le National Fuel Gas Code, ANSI Z223.1/ NFPA 54, aux Etats-Unis, ou le Natural Gas and Propane Installation Code, CSA B149.1, au Canada.
- Une vanne d'arrêt manuel de taille appropriée doit être installée entre le barbecue et le tuyau d'alimentation en gaz.
- Le barbecue et sa vanne d'arrêt individuelle doivent être déconnectés du réseau de distribution du gaz avant tout test de pression du réseau, pour des pressions d'essai excédant 0,5 lb/po2 (3,5 kPa).
- Avant toute vérification de pression du système de tuyauterie d'alimentation en gaz, pour des pressions d'essai égales ou inférieures à 0,5 lb/po2 (3,5 kPa), fermez la vanne d'arrêt manuel individuelle pour isoler le barbecue du système de tuyauterie d'alimentation en gaz.
- Raccordez toujours le tuyau flexible d'alimentation en gaz au réseau de distribution avant d'ouvrir la vanne d'arrêt manuel

POUR RACCORDER :

1. Assurez-vous que la vanne d'arrêt du gaz naturel est fermée.
2. Retirez les bouchons protecteurs en caoutchouc aux extrémités de l'embout et du manchon des raccords de débranchement rapide. Vérifiez si les raccords sont propres.
3. Tirez le manchon sur le raccord, comme illustré.
4. Insérez l'embout, puis relâchez le manchon, comme illustré.
5. Poussez l'embout dans le manchon, jusqu'à ce que le manchon s'enclenche vers l'avant pour bloquer l'embout dans le raccord.
6. Ouvrez la vanne d'arrêt de gaz naturel.



POUR DÉBRANCHER :

1. Fermez la vanne d'arrêt de l'approvisionnement en gaz naturel.
2. Tirez le manchon, puis retirez délicatement l'embout.
3. Replacez les bouchons protecteurs en caoutchouc sur les extrémités de l'embout et du manchon des raccords de débranchement rapide.

⚠ AVERTISSEMENT

Lorsque vous effectuez les raccordements, assurez-vous que :

- le tuyau d'alimentation en gaz ne touche pas au foyer du barbecue

DÉTECTION DES FUITES

Après avoir effectué tous les branchements, vérifiez s'il y a des fuites en vaporisant de l'eau savonneuse sur le raccord de gaz naturel à branchement rapide, le tuyau de gaz et le collecteur.

Pour prévenir les incendies ou les explosions lorsque vous tentez de détecter les fuites :

- Procédez toujours à la détection des fuites avant d'allumer le barbecue.
- Ne fumez pas lorsque vous vérifiez la présence de fuites.
- Procédez toujours à la détection des fuites à l'extérieur, dans un endroit bien aéré.
- N'utilisez aucune source de flamme lorsque vous vérifiez la présence de fuites.
- N'utilisez pas le barbecue tant que les fuites n'ont pas toutes été colmatées.
- Si vous ne parvenez pas à colmater une fuite, fermez la vanne d'arrêt du gaz naturel, puis communiquez avec un service de réparation d'appareils au gaz.

DÉTECTION DES FUITES

- Pour préparer une solution afin de procéder à la détection des fuites, mélangez une part de savon à vaisselle liquide et trois parts d'eau. Vous aurez besoin d'environ 70 à 90 ml (2 à 3 oz) de liquide. Versez la solution en question dans un vaporisateur.
- Assurez-vous que tous les boutons de commande sont à la position FERMÉ.
- Branchez le tuyau de gaz au réseau de distribution de gaz.
- Ouvrez la vanne d'arrêt de gaz.
- Vaporisez la solution sur tous les branchements et les raccords dans lesquels circule du gaz. La présence de bulles à un endroit où vous avez appliqué la solution d'eau savonneuse indique une fuite de gaz. Si vous détectez ou entendez une fuite, ou si vous sentez une odeur de gaz, fermez immédiatement la vanne d'alimentation en gaz et réparez ou remplacez la pièce défectueuse. N'utilisez pas le barbecue tant que les fuites n'ont pas toutes été colmatées.

⚠ MISE EN GARDE

Utilisez uniquement l'ensemble tuyau fourni! Si vous avez besoin d'une pièce de rechange, communiquez avec le service à la clientèle. N'utilisez pas de pièces de rechange qui ne sont pas conçues pour ce barbecue.

⚠ AVERTISSEMENT

TOUTES LES INSTRUCTIONS ET MESURES DE SÉCURITÉ QUI SUIVENT DOIVENT ÊTRE RESPECTÉES AFIN DE PRÉVENIR LES INCENDIES, LES DOMMAGES ET LES BLESSURES.

Allumer le barbecue

Avant la première utilisation :

Retirez tous les emballages et toutes les attaches de plastique, le cas échéant. Avant de cuisiner sur votre nouveau barbecue au propane, il est important de le nettoyer avec de la chaleur. Pour ce faire, faites fonctionner le barbecue pendant environ 15 minutes avec le couvercle baissé et le bouton de commande à l'intensité maximale. Vous nettoierez ainsi les pièces internes en faisant brûler les résidus et les odeurs générés par le processus de fabrication.

⚠ MISE EN GARDE

Si la flamme s'éteint accidentellement lors de l'allumage ou du fonctionnement, FERMEZ immédiatement la vanne d'arrêt du gaz naturel, puis DÉACTIVEZ le bouton de commande.

⚠ AVERTISSEMENT

Ne vous penchez pas au-dessus du barbecue lors de l'allumage. Lisez les instructions avant d'allumer l'appareil. Ne mettez pas de casserole sur le brûleur latéral. L'utilisation de casseroles sur le brûleur latéral entraîne des niveaux élevés de monoxyde de carbone.

1. Vérifiez que les boutons de commande sont bien en position ARRÊT ○.
2. Ouvrez la vanne d'arrêt de l'approvisionnement en gaz naturel.
3. Ouvrez le couvercle pendant l'allumage.
4. En position ARRÊT ○, enfoncez et tournez le bouton de commande dans le sens antihoraire ↶, en passant la position d'allumage ⚡, jusqu'à la position HAUT 🔥. Il faudra peut-être répéter cette étape plusieurs fois pour allumer le brûleur.

Si l'allumage ne se produit pas dans les 5 secondes, tournez le(s) bouton(s) de commande en position ARRÊT ○, attendez 5 minutes et répétez la procédure d'allumage.

Si le brûleur ne s'allume toujours pas, assurez-vous que la vanne d'arrêt du gaz naturel est ouverte et suivez la procédure d'allumage avec une allumette. Consultez le Guide de dépannage à la page 53 pour plus d'informations.

INSTRUCTIONS DE FONCTIONNEMENT

ALLUMER LE BARBECUE AVEC UNE ALLUMETTE

1. Ouvrez le couvercle.
2. Insérez une allumette dans le porte-allumettes qui se trouve à l'intérieur de la porte du barbecue.
3. Allumez l'allumette.
4. Placez immédiatement l'allumette dans un des espaces des grilles du barbecue qui se trouvent près des orifices du brûleur, entre les plaques de rayonnement, comme illustré. Veillez à placer l'allumette près des orifices du brûleur.
5. Appuyez sur le bouton de commande du brûleur, puis faites-le tourner en sens antihoraire ↺ jusqu'à la position de haute intensité 🔥 le brûleur devrait s'allumer instantanément.
6. Répétez les étapes 2 à 5 pour allumer les autres brûleurs.
7. Réglez les brûleurs à la température de cuisson désirée.

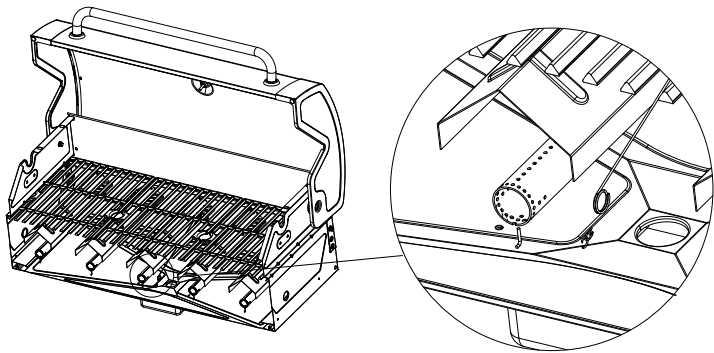
⚠ MISE EN GARDE

Assurez-vous que toutes les commandes de brûleurs sont éteintes, sauf celles des brûleurs que vous avez allumés ou que vous êtes en train d'allumer.

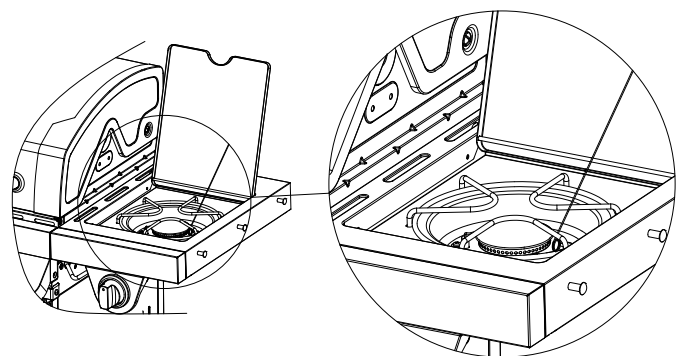
⚠ AVERTISSEMENT

Si l'appareil ne s'allume pas en 5 secondes, mettez le bouton de commande en position d'arrêt (O), attendez 5 minutes et recommencez la procédure d'allumage.

Allumage du brûleur principal avec une allumette



Allumage du brûleur latéral avec une allumette



INSTRUCTIONS D'ARRÊT

1. Tournez les boutons de commande en sens horaire ↻ jusqu'à la position d'arrêt (O).
2. Fermez la vanne d'arrêt de gaz naturel.
3. Fermez le couvercle.

Coupez l'alimentation du gaz naturel à l'aide de la vanne d'arrêt lorsque l'appareil n'est pas en fonction.

Grilles de cuisson

Le moment idéal pour brûler les résidus sur les grilles de cuisson est juste après leur utilisation, pendant environ 15 minutes. Puisque le barbecue est déjà chaud, atteindre la température voulue pour le nettoyage demande moins de combustible.

Pour brûler les résidus, réglez le barbecue à sa plus haute intensité et laissez-le fonctionner pendant 15 minutes à couvercle fermé. Ensuite, éteignez les brûleurs et utilisez une brosse à métal pour gratter les résidus de nourriture sur les grilles.

Les grilles en porcelaine ont un fini émaillé (semblable au verre) et doivent être manipulées avec soin pour éviter de les endommager.

⚠ MISE EN GARDE

Assurez-vous d'effectuer votre nettoyage et votre entretien lorsque le barbecue a refroidi et que l'alimentation la vanne d'arrêt du gaz naturel est coupée.

Produits de nettoyage recommandés

Savon à vaisselle doux, eau tiède, tampon à récurer en nylon, brosse à métal.

N'utilisez PAS de nettoyeurs contenant des acides, de l'essence minérale ou tout autre produit abrasif.

Surfaces externes

Il est recommandé de n'utiliser que du savon à vaisselle doux et de l'eau chaude pour nettoyer le barbecue et ses pièces. Rincez à l'eau tiède.

Intérieur de la cuve inférieure du bâti

Pour éviter que des flammes jaillissent, la cuve inférieure du bâti devrait être nettoyée régulièrement. Éliminez les résidus à l'aide d'une brosse, d'un grattoir ou d'un tampon à récurer. Nettoyez avec un savon à vaisselle doux et de l'eau tiède. Rincez à l'eau tiède. Ne laissez pas l'eau éclabousser les venturis ou les brûleurs.

Plaques de rayonnement

Éliminez les résidus avec une brosse à métal et nettoyez avec du savon à vaisselle doux et de l'eau tiède. Rincez à l'eau tiède.

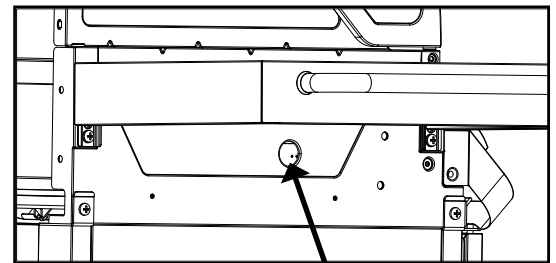
Récupérateur de graisse

Videz de façon régulière le récupérateur de graisse et nettoyez-le avec du savon à vaisselle doux et de l'eau tiède.

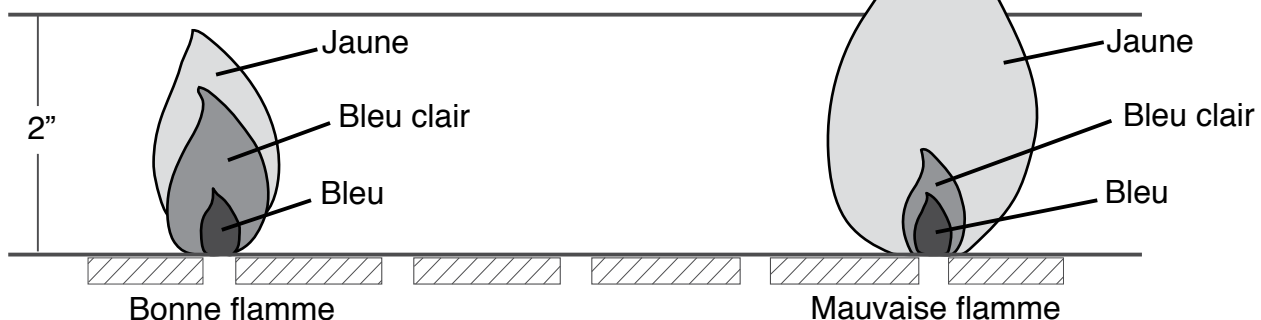
Vérification de la flamme

La flamme idéale pour économiser le combustible et cuire efficacement devrait être bleu et jaune et mesurer entre 1 et 2 po.

Pour vérifier la flamme, observez-la par les trous de part et d'autre de la chambre de combustion.



Trou permettant de voir la flamme



Brûleur

Retirer le brûleur

1. Assurez-vous que tous les boutons de commande sont en position d'arrêt, que la vanne d'alimentation en propane est fermée et que le tuyau de propane est déconnecté de l'alimentation.
2. Retirez la grille d'attente, les grilles de cuisson et les plaques de rayonnement.
3. Retirez l'axe de charnière, comme illustré à la figure 1.
4. Glissez les brûleurs principaux à l'extérieur de la chambre de combustion.
5. Détachez le fil d'allumage de l'électrode, comme illustré à la figure 2.

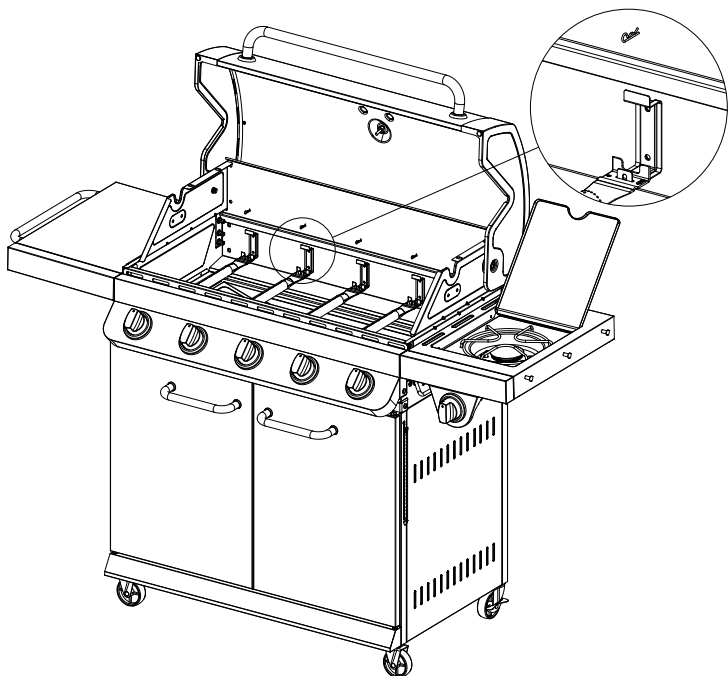
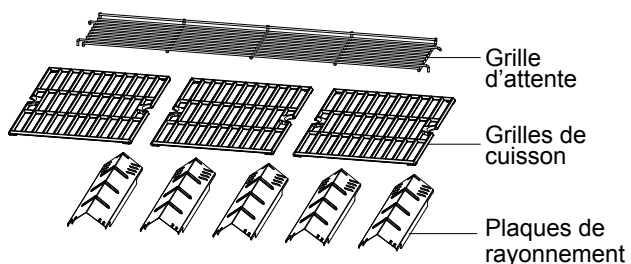


Figure 1

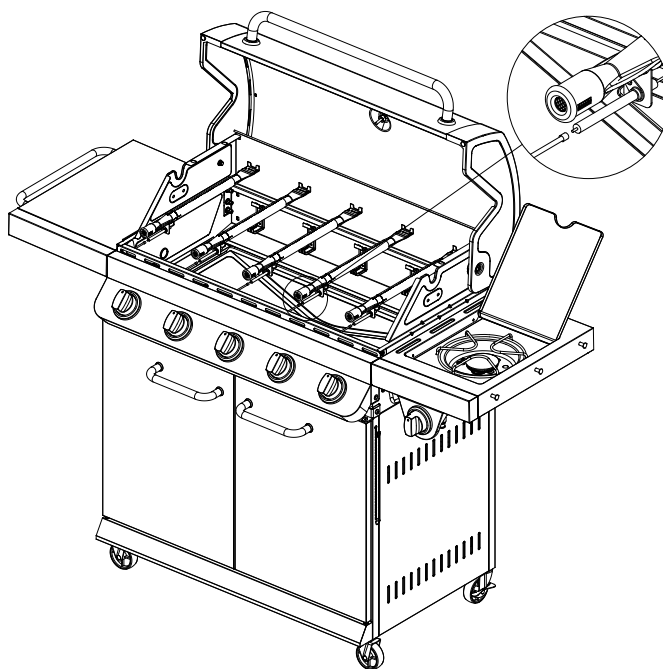


Figure 2

ENTRETIEN ET MAINTENANCE

Nettoyer le brûleur

– Assurez-vous que le barbecue est froid.

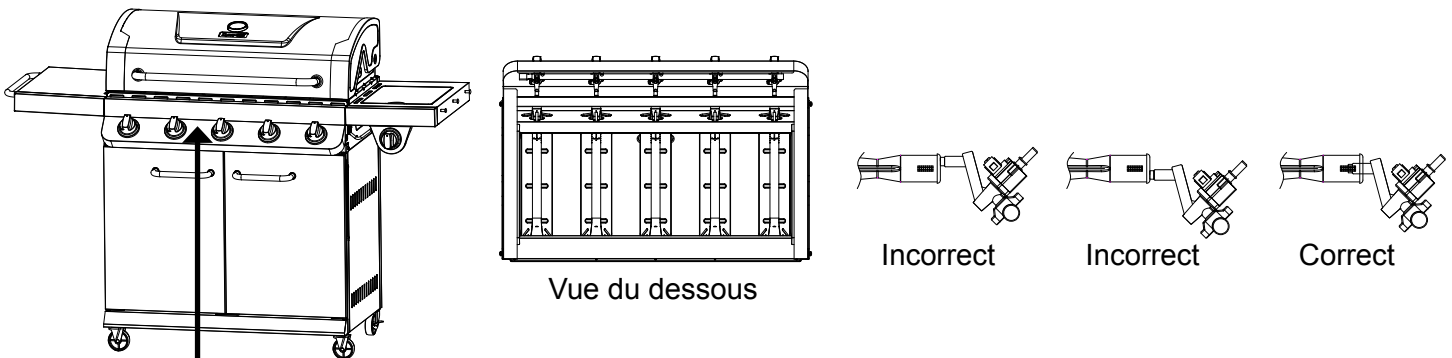
1. Veillez à ce que tous les orifices du brûleur soient libres d'obstructions. Vous pouvez utiliser une broche ou un trombone.
2. Assurez-vous que le brûleur n'est pas endommagé. S'il l'est, remplacez-le.
3. Assurez-vous que l'extrémité du brûleur et le filtre à air principal ne contiennent pas de nids d'insectes, de saletés ou de débris.

Réinstaller le brûleur

Veillez vous assurer que les orifices de la vanne de propane sont bien placés dans l'orifice du brûleur (venturi). Vous pourriez avoir besoin d'une lampe de poche pour le vérifier.

Il est recommandé de vérifier la position par les trous d'évent de la chambre de combustion, comme illustré ci-dessous.

Réinstallez chaque brûleur avec l'axe de charnière et reconnectez le fil d'allumage à l'électrode.



Vérifiez la position par le dessous de la chambre de combustion.

⚠ AVERTISSEMENT

Le non-respect des instructions ci-dessus peut provoquer un incendie ou une explosion pouvant entraîner des blessures graves ou la mort.

Entretien et maintenance supplémentaires

Il est recommandé de faire inspecter et entretenir cet appareil une fois par année par un technicien qualifié.

Il est recommandé de toujours vérifier que l'appareil de cuisson d'extérieur est exempt de matériaux combustibles, d'essence et d'autres vapeurs et liquides inflammables avant de l'allumer.

Il est recommandé de vérifier régulièrement que la sortie de gaz et l'entrée d'air sont exemptes d'obstructions.

Il est recommandé de vérifier régulièrement que les conduits d'aération de l'armoire du barbecue sont propres et exemptes de débris.

Il est recommandé de vérifier régulièrement que les brûleurs et les venturis sont exempts d'insectes et de nids d'insectes, et de les nettoyer au besoin. Un tuyau obstrué peut provoquer un incendie sous le barbecue.

DÉPANNAGE

Si vous avez des questions concernant le produit, veuillez appeler le service à la clientèle au 1 877 447-4768, de 8 h 30 à 16 h 30 (HNC), du lundi au vendredi.

PROBLÈME	CAUSE POSSIBLE	SOLUTION
Le brûleur ne s'allume pas après que la procédure d'allumage a été suivie (la flamme est faible ou aucune flamme n'est produite).	<ol style="list-style-type: none">1. L'électrode de l'allumeur est peut-être recouverte de graisse ou de résidus.2. L'électrode de l'allumeur peut avoir un fil lâche ou mal raccordé.3. L'électrode d'allumage est fissurée ou brisée.	<ol style="list-style-type: none">1. Nettoyez l'électrode d'allumage.2. Vérifiez les raccordements et reconnectez tous les fils lâches ou mal raccordés.3. Remplacez l'électrode d'allumage (voir la liste des pièces de rechange).
Chaleur faible.	<ol style="list-style-type: none">1. La pression d'alimentation de gaz de l'appareil est insuffisante.	<ol style="list-style-type: none">1. Appelez une institution de service qualifiée pour faire vérifier et réparer la pression d'alimentation de gaz.
Flambées excessives.	<ol style="list-style-type: none">1. Il y a une accumulation de graisse ou de résidus sur les plaques de rayonnement ou dans la chambre de combustion.2. Il y a un égouttement excessif de gras ou de marinade des aliments.3. La température de cuisson est trop élevée.	<ol style="list-style-type: none">1. Nettoyez les composants du barbecue.2. Retirez le gras de la viande et utilisez des marinades qui ne sont pas faites à base d'huile.3. Baissez la température en conséquence.

PROBLÈME	CAUSE POSSIBLE	SOLUTION
<p>Le brûleur ne s'allume pas à l'aide d'une allumette.</p>	<ol style="list-style-type: none"> 1. L'allumette n'atteint pas les brûleurs (lorsque vous la tenez d'une main). 2. L'alimentation en gaz est coupée. 3. Il y a un mauvais branchement entre le raccord à manchon et l'embout du tuyau de gaz. 4. L'entrée du brûleur est obstruée. 	<ol style="list-style-type: none"> 1. Utilisez le support à allumettes situé dans la porte de l'armoire. 2. Vérifiez si la vanne d'arrêt du gaz naturel est ouverte. 3. Tournez les boutons de commande à la position OFF (fermé), fermez la vanne d'arrêt du gaz, puis vérifiez le branchement du raccord à manchon et de l'embout. Au besoin, déconnectez-les et reconnectez-les. 4. Nettoyez le diffuseur (venturi) et le brûleur selon les instructions de la section Entretien du manuel.
<p>Le gaz ne circule pas ou sa circulation est entravée.</p>	<ol style="list-style-type: none"> 1. L'alimentation en gaz est coupée. 2. Il y a un mauvais branchement entre le raccord à manchon et l'embout du tuyau de gaz. 3. L'entrée du brûleur est obstruée. 	<ol style="list-style-type: none"> 1. Vérifiez si la vanne d'arrêt manuel du gaz est ouverte. 2. Tournez les boutons de commande à la position OFF (fermé), fermez la vanne d'arrêt du gaz, puis vérifiez le branchement du raccord à manchon et de l'embout. Au besoin, déconnectez-les et reconnectez-les. 3. Nettoyez le diffuseur (venturi) et le brûleur selon les instructions de la section Entretien du manuel.

GARANTIE LIMITÉE

Garantie limitée d'un an

Ce barbecue au gaz naturel est garanti pendant un an (les brûleurs en acier inoxydable sont garantis pendant cinq ans) contre les pièces brisées ou endommagées au moment de l'achat. Il est garanti contre les défauts. La peinture est garantie contre les défauts, mais n'est pas garantie contre la rouille, qui pourrait apparaître après une utilisation répétée.

La garantie ne couvre pas les dommages et les problèmes causés par une négligence, une utilisation abusive ou des modifications apportées à l'appareil. La garantie ne couvre pas les coûts de main-d'œuvre.

Pour chaque pièce couverte par la garantie, une pièce de remplacement sera livrée sans frais selon la méthode choisie par le fabricant (livraisons par voie terrestre, service postal des États-Unis ou services de colis postaux UNIQUEMENT). Tous les frais de manutention spéciaux (p. ex. : deux jours, jour suivant, etc.) relèvent de la responsabilité du consommateur.

Toutes les réclamations sous garantie s'appliquent uniquement à l'acheteur initial du produit et nécessitent une preuve d'achat qui indique la date d'achat. Ne retournez aucune pièce sans avoir obtenu au préalable un numéro d'autorisation de retour de la part du service à la clientèle. Pour obtenir ce service, appelez sans frais au 1 877 447-4768, de 8 h 30 à 16 h 30 (HNC), du lundi au vendredi.

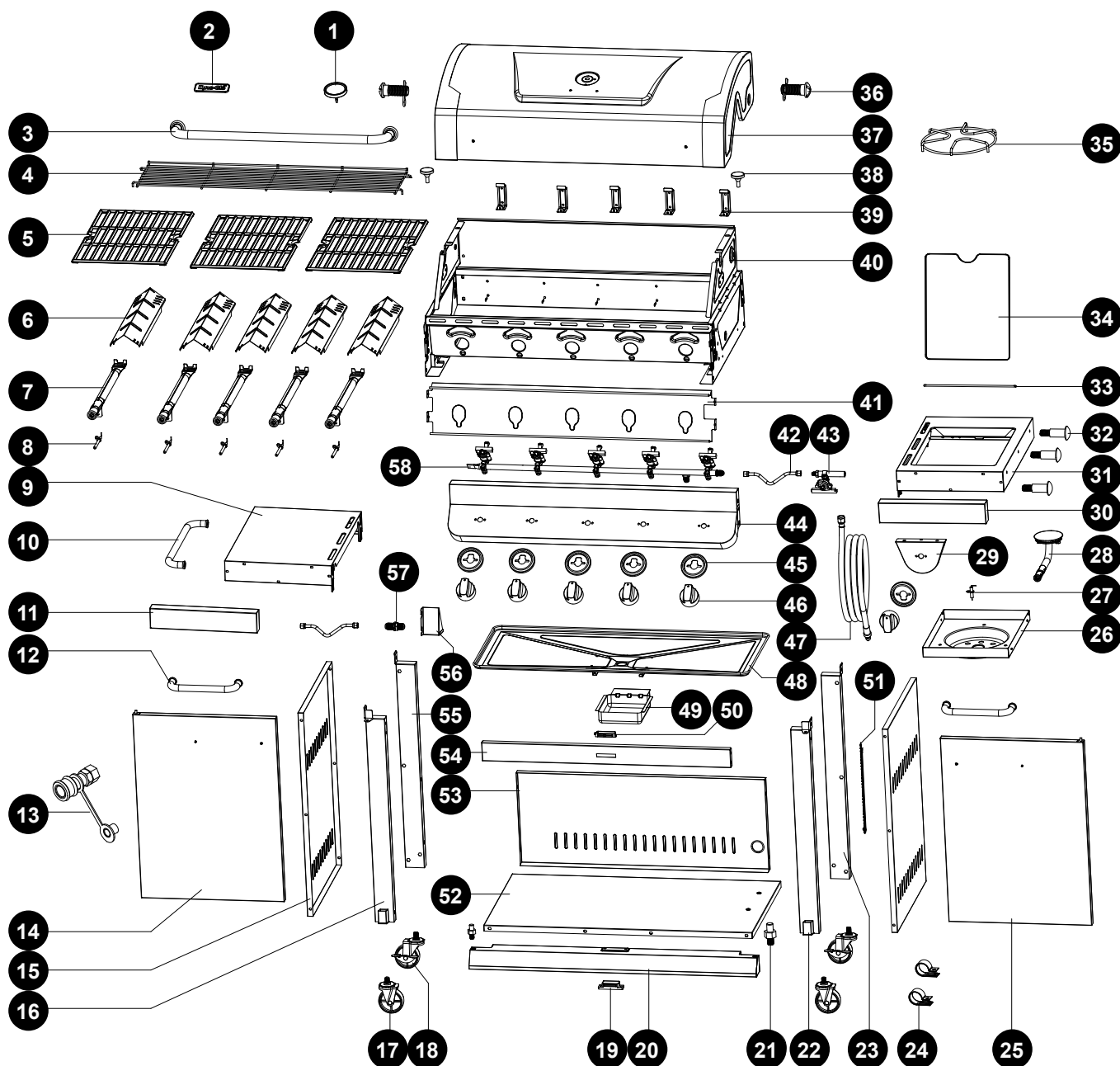
AVIS : Les lois en vigueur dans certains États, provinces ou territoires n'autorisent pas l'exclusion ou la limitation des dommages consécutifs ou indirects, ou encore, la limitation de la durée d'une garantie implicite et, par conséquent, les limitations et exclusions énoncées ci-dessus pourraient ne pas s'appliquer à vous. La présente garantie vous accorde des droits spécifiques reconnus par la loi et vous bénéficiez peut-être aussi d'autres droits reconnus par la loi, qui peuvent varier selon l'État, la province ou le territoire.

GHP Group, Inc.
6440 W. Howard Street
Niles, IL, États-Unis
60714-3302

Nom de l'article : Barbecue au gaz naturel de première qualité à cinq brûleurs avec brûleur latéral
N° de modèle : DGP552SSN / DGP552SSN-D / DGP552CSN / DGP552CSN-D / DGP552GSN / DGP552GSN-D / DGP552MSN / DGP552MSN-D
Puissance nominale en BTU du brûleur principal : 60 000 BTU/h
Puissance nominale en BTU du brûleur latéral : 12 000 BTU/h

LISTE DES PIÈCES DE RECHANGE

Pour des pièces de rechange, veuillez appeler le service à la clientèle au 1 877 447-4768, de 8 h 30 à 16 h 30 (HNC), du lundi au vendredi.



PIÈCE	DESCRIPTION	N° DE PIÈCE
1	Jauge de température	70-01-786
2	Plaque	70-01-540
3	Poignée du couvercle	70-01-788
4	Grille d'attente	70-01-789
5	Grille de cuisson	70-01-790
6	Plaque de rayonnement	70-01-791
7	Brûleur principal avec attache (gaz naturel)	70-02-273
8	Allumeur du brûleur principal	70-01-793
9	Plateau latéral gauche	70-01-794
10	Poignée porte-serviettes	70-01-795

LISTE DES PIÈCES DE RECHANGE

Pour des pièces de rechange, veuillez appeler le service à la clientèle au 1 877 447-4768, de 8 h 30 à 16 h 30 (HNC), du lundi au vendredi.

PIÈCE	DESCRIPTION	N° DE PIÈCE
11	Panneau frontal de la tablette gauche	70-01-796
12	Poignée de porte	70-01-797
13	Raccord pour déconnexion rapide (5B)	70-02-281
14	Porte gauche – DGP552SSN/DGP552SSN-D – acier inoxydable	70-01-799
	Porte gauche – DGP552CSN/DGP552CSN-D – noir	70-01-800
	Porte gauche – DGP552GSN/DGP552GSN-D – bronze industriel	70-01-801
	Porte gauche – DGP552MSN/DGP552MSN-D – moka	70-01-802
15	Panneau latéral gauche du chariot	70-01-803
16	Tube du pied avant gauche du chariot	70-01-804
17	Roulette sans blocage	70-01-805
18	Roulette à blocage	70-01-806
19	Aimant de porte (A)	70-01-807
20	Jupe du panneau inférieur	70-01-808
21	Pivot de porte	70-01-809
22	Tube du pied avant droit du chariot	70-01-810
23	Tube du pied arrière droit du chariot	70-01-811
24	Attache de tuyau de gaz naturel	70-02-279
25	Porte droite – DGP552SSN/DGP552SSN-D – acier inoxydable	70-01-813
	Porte droite – DGP552CSN/DGP552CSN-D – noir	70-01-814
	Porte droite – DGP552GSN/DGP552GSN-D – bronze industriel	70-01-815
	Porte droite – DGP552MSN/DGP552MSN-D – moka	70-01-816
26	Cuve du brûleur latéral	70-01-817
27	Allumeur du brûleur latéral	70-01-818
28	Brûleur latéral (gaz naturel)	70-02-282
29	Panneau de contrôle du brûleur latéral droit	70-01-820
30	Panneau frontal de la tablette droite	70-01-821
31	Bâti du brûleur latéral droit	70-01-822
32	Crochet pour ustensiles	70-01-823
33	Tige du couvercle du brûleur latéral	70-01-824
34	Couvercle du brûleur latéral	70-01-825
35	Support du brûleur latéral	70-01-826
36	Charnière du couvercle (avec écrou, rondelle et attache)	70-01-827
37	Couvercle – DGP552SSN/DGP552SSN-D – acier inoxydable	70-01-828
	Couvercle – DGP552CSN/DGP552CSN-D – noir	70-01-829
	Couvercle – DGP552GSN/DGP552GSN-D – bronze industriel	70-01-830
	Couvercle – DGP552MSN/DGP552MSN-D – moka	70-01-831
38	Protège couvercle	70-01-832
39	Soutien de la plaque de rayonnement du brûleur principal	70-01-833
40	Chambre de combustion	70-01-834
41	Écran thermique du panneau de contrôle	70-01-835
42	Tuyau annelé	70-01-836
43	Vanne latérale (gaz naturel)	70-02-283

LISTE DES PIÈCES DE RECHANGE

Pour des pièces de rechange, veuillez appeler le service à la clientèle au 1 877 447-4768, de 8 h 30 à 16 h 30 (HNC), du lundi au vendredi.

PIÈCE	DESCRIPTION	N° DE PIÈCE
44	Panneau de contrôle – DGP552SSN/DGP552SSN-D, DGP552GSN-D/DGP552GSN, DGP552MSN/ DGP552MSN-D – acier inoxydable	70-01-838
	Panneau de contrôle – DGP552CSN-D/DGP552CSN – noir	70-01-839
45	Collerette du bouton de commande	70-01-184
46	Bouton de commande	70-01-185
47	Tuyau de gaz naturel (1/2")	70-02-284
48	Plateau à graisse	70-01-843
49	Récupérateur de graisse	70-01-844
50	Aimant de porte (B)	70-01-845
51	Porte-allumettes avec chaîne	70-01-846
52	Étagère du fond du chariot	70-02-285
53	Panneau arrière du chariot	70-02-286
54	Support supérieur de porte	70-01-849
55	Tube du pied arrière gauche du chariot	70-01-899
56	Support du tuyau de gaz naturel	70-01-897
57	Connecteur	70-01-886
58	Valves principales et clarinette (gaz naturel)	70-02-288
AA-FF	Trousse de matériel	70-09-547

Dyna-Glo®

PARRILLA PREMIER CON 5 QUEMADORES Y QUEMADOR LATERAL PARA GAS NATURAL

N.º de modelo DGP552SSN / DGP552SSN-D /
DGP552CSN / DGP552CSN-D / DGP552GSN /
DGP552GSN-D / DGP552MSN / DGP552MSN-D

Français p. 30

English p. 1



ADJUNTE SU RECIBO AQUÍ

Número de serie _____ Fecha de compra _____



¿Preguntas, problemas, piezas faltantes? Antes de hacer una devolución a la tienda, llame a nuestro Departamento de Atención al Cliente al 1-877-447-4768, de lunes a viernes de 8:30 a. m. a 4:30 p. m. (hora central estándar), o escriba a customerservice@ghpgroupinc.com.

CONTENIDO

Información de seguridad	61
Contenido del paquete	63
Paquete de tornillería.....	64
Preparación	64
Instrucciones de ensamblaje	65
Instrucciones de funcionamiento	76
Cuidado y mantenimiento	79
Solución de problemas	82
Garantía	84
Lista de piezas de repuesto	85

Ensamblador/instalador: Este manual contiene información importante, necesaria para ensamblar correctamente el artefacto y utilizarlo de manera segura. Lea y respete todas las advertencias e instrucciones antes de ensamblar y utilizar este artefacto. **Deje estas instrucciones en manos del consumidor.**

Consumidor/usuario: Respete todas las advertencias e instrucciones al utilizar el artefacto. **Conserve estas instrucciones para futura referencia.**



PELIGRO

Si huele a gas:

1. Apague el gas del artefacto.
2. Apague cualquier llama abierta.
3. Abra la tapa.
4. Si el olor continúa, manténgase alejado del artefacto y llame inmediatamente al departamento de bomberos.



ADVERTENCIA

1. No guarde ni utilice gasolina u otros líquidos o vapores inflamables cerca de este artefacto ni de ningún otro.
2. Ningún tanque de gas propano líquido (LP) que no esté conectado para su uso debe almacenarse en los alrededores de este u otro artefacto.
3. Esta parrilla es para utilizar sólo al aire libre y no se debe emplear dentro de un edificio, garaje ni ningún otro espacio cerrado.
4. No deje desatendida la parrilla cuando esté encendida. Asegúrese de que no haya niños ni animales domésticos cerca de la parrilla en ningún momento.



INFORMACIÓN DE SEGURIDAD

Lea y comprenda este manual por completo antes de intentar ensamblar, poner en funcionamiento o instalar el producto. Si tiene preguntas relacionadas con el producto, llame al Departamento de Atención al Cliente al 1-877-447-4768, de lunes a viernes de 8:30 a. m. a 4:30 p. m. (hora central estándar).

PELIGRO

- No se puede utilizar en una atmósfera explosiva. Asegúrese de que no haya material combustible, gasolina ni otros vapores y líquidos inflamables en el lugar donde se encuentra la parrilla.

ADVERTENCIA

Este producto y los combustibles utilizados para poner en funcionamiento este producto (propano líquido o gas natural), y los productos de la combustión de tales combustibles, pueden exponerlo a sustancias químicas como el benceno que, según el estado de California puede provocar cáncer y daños reproductivos.

Para obtener más información, visite www.p65Warnings.ca.gov

PRECAUCIÓN

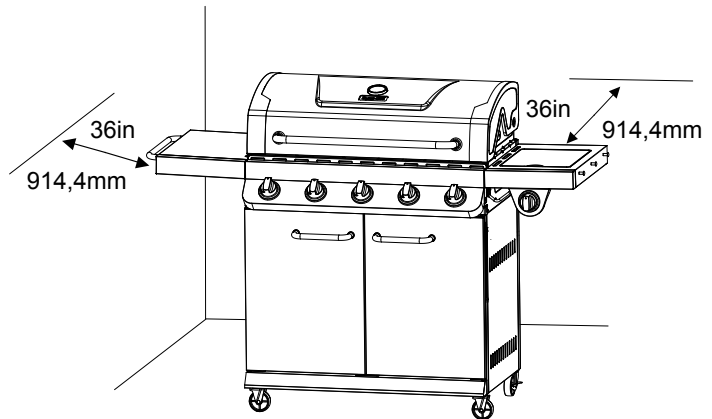
- No utilice carbón o líquido para encendedor en la parrilla.
- No use gasolina, queroseno o alcohol para encender la parrilla.
- Esta parrilla no está diseñada para usarse o instalarse en vehículos recreativos y/o botes.
- Siempre abra la tapa de la parrilla lentamente y con cuidado, ya que el calor y el vapor atrapados dentro de la parrilla pueden causarle quemaduras graves.
- Nunca intente operar esta parrilla con propano.
- Siempre utilice una agencia de servicio calificada para instalar todas las tuberías de suministro de gas natural, la válvula de cierre manual y los conectores de conexión rápida.



! ADVERTENCIA

- No coloque la parrilla debajo de toldos o estructuras combustibles. La distancia mínima desde los laterales y la parte trasera de la unidad hasta una estructura combustible debe ser de 36 pulgadas (914,4 cm).

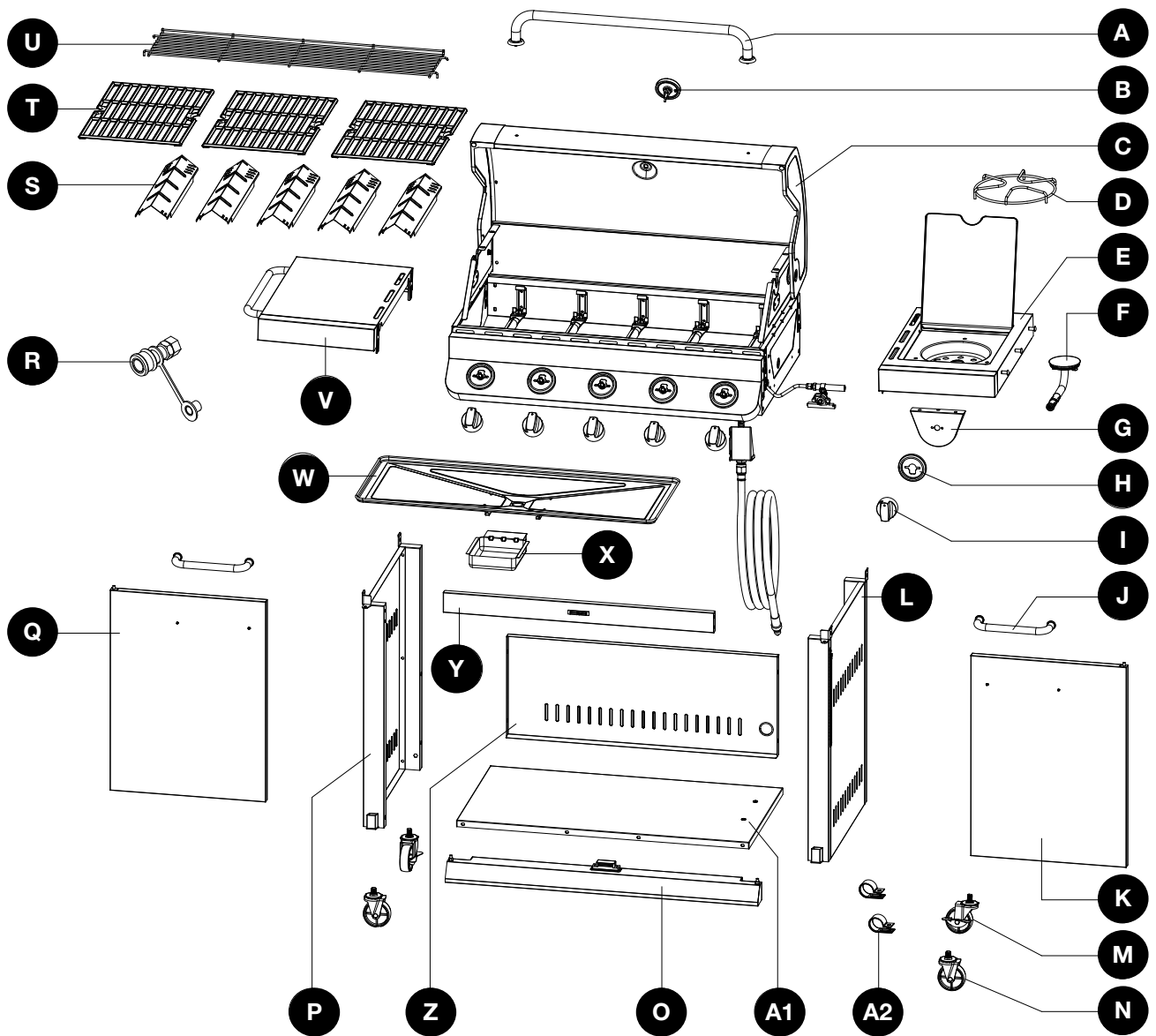
NOTA: La instalación debe cumplir con los códigos locales o, en ausencia de códigos locales, con el Código Nacional de Gas Combustible ANSI A223.1/NFPA54, el Código de Instalación de Gas Natural y Propano CSA B149.1 o el Código de Almacenamiento y Manipulación de propano B149.2.



! PRECAUCIÓN

- NO almacene ni utilice gasolina ni otros vapores o líquidos inflamables dentro de 8 metros (25 pies) de distancia de éste ni de ningún otro electrodoméstico. No almacene artículos inflamables dentro del carrito de la parrilla.
- No se debe guardar el tanque LP cerca de este artefacto ni de ningún otro.
- Esta parrilla solo se debe utilizar con gas natural.
- No intente conectar esta parrilla al sistema de gas propano autocontenido de un bote, remolque para camping, casa rodante o casa.
- No intente mover la parrilla mientras está encendida o caliente. Las ruedas deben estar con seguro cuando la parrilla no se esté moviendo.
- No use la parrilla a menos que esté completamente ensamblada y todas las piezas estén ajustadas y apretadas con firmeza.
- Mantenga todos los artículos y las superficies combustibles a una distancia mínima de 91,44 cm (36") de la parrilla en todo momento.
- No toque las piezas metálicas de la parrilla hasta que se hayan enfriado completamente (espere unos 45 minutos) para evitar quemaduras, a menos que utilice artículos de protección (almohadillas, guantes, manoplas para horno, etc...).
- No altere la parrilla de ninguna manera.
- Limpie e inspeccione la manguera antes de cada uso. Si hay evidencia de abrasión, desgaste, cortes o fugas, se debe reemplazar la manguera antes de operar el electrodoméstico. La manguera de reemplazo debe ser la especificada por el fabricante, que se menciona en la lista de piezas de repuesto de este manual.
- Coloque las mangueras de gas lo más lejos posible de superficies calientes y de donde pueda caer grasa caliente.
- Mantenga limpios el compartimiento de la válvula, los quemadores y los pasajes de circulación de aire de la parrilla. Inspeccione la parrilla antes de cada uso. No obstruya el flujo de gas o del aire de ventilación.
- El consumo de alcohol, medicamentos recetados o medicamentos sin receta puede disminuir la capacidad del usuario para armar o utilizar la parrilla de manera segura.
- **No deje la parrilla encendida sin supervisión. Mantenga a los niños y las mascotas alejados de la parrilla en todo momento.**
- No coloque la parrilla sobre ningún tipo superficie de mesa. La parrilla se debe colocar sobre una superficie plana y nivelada.
- No use la parrilla si hay viento fuerte.

CONTENIDO DEL EMBALAJE

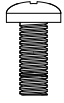


PIEZA	DESCRIPCIÓN	CANTIDAD
A	Manija de la tapa	1
B	Indicador de temperatura	1
C	Conjunto del cuerpo de la parrilla	1
D	Rejilla del quemador lateral	1
E	Conjunto del cuerpo del quemador del lado derecho	1
F	Quemador lateral	1
G	Panel de control del quemador lateral	1
H	Bisel de la perilla de control	1
I	Perilla de control	6
J	Manija de la puerta	2
K	Conjunto de la puerta derecha	1
L	Conjunto del panel del lado derecho del carro	1
M	Ruedecillas giratorias con mecanismo de bloqueo	2
N	Ruedecillas giratorias sin mecanismo de bloqueo	2

PIEZA	DESCRIPCIÓN	CANTIDAD
O	Conjunto del panel del borde inferior	1
P	Conjunto del panel del lado izquierdo del carro	1
Q	Conjunto de la puerta izquierda	1
R	Acoplamiento de desconexión rápida	1
S	Protector térmico	5
T	Rejilla para cocinar	3
U	Rejilla para calentar	1
V	Conjunto de la mesa del lado izquierdo	1
W	Grasera grande	1
X	Grasera pequeña	1
Y	Tirante de la puerta de la parte frontal superior	1
Z	Panel trasero del carro	1
A1	Repisa del panel inferior del carro	1
A2	Abrazadera de la manguera de gas natural	2

CONTENIDO DEL PAQUETE DE TORNILLERÍA

AA



Pernos
M6 x 16

Cant. 37

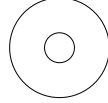
BB



Pernos
M4 x 12

Cant. 4

CC



Arandela plana
M6

Cant. 2

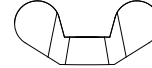
DD



Arandela de resorte
M6

Cant. 2

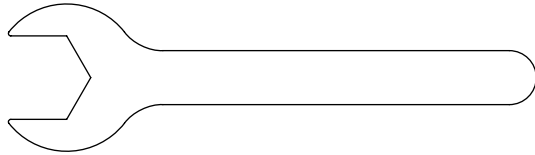
EE



Tuerca mariposa
M6

Cant. 2

FF



Llave

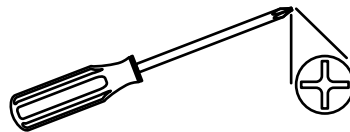
Cant. 1

PREPARACIÓN

Antes de comenzar el ensamblaje de este producto, asegúrese de que estén todas las piezas. Compare las piezas con la lista de contenido del embalaje de la página anterior y el contenido del paquete de tornillería y herramientas de arriba. Si falta alguna pieza o está dañada, no intente ensamblar el producto. Comuníquese con el servicio de atención al cliente para solicitar piezas de repuesto.

Tiempo estimado de ensamblaje: 50 minutos entre 2 personas.

Herramientas requeridas para el ensamblaje y la prueba de detección de fugas (no incluidas): Destornillador Phillips, botella con atomizador



⚠ PRECAUCIÓN

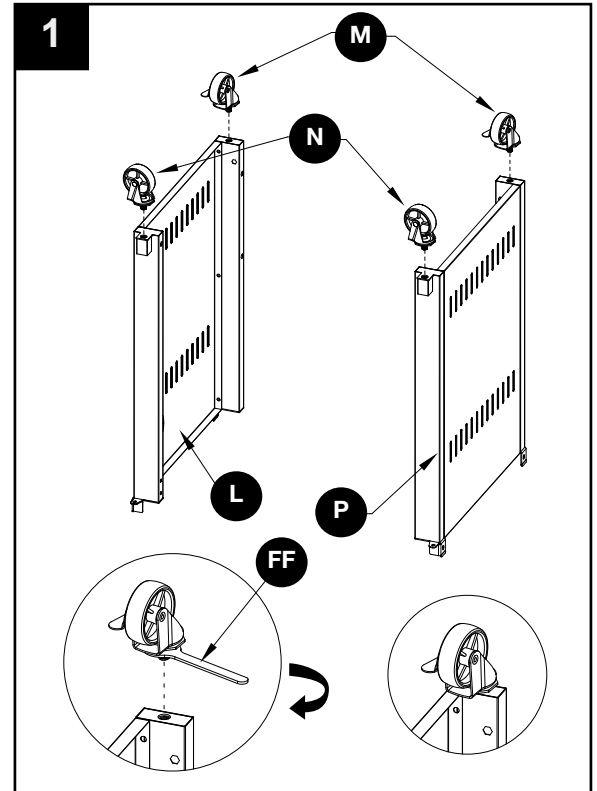
ESTA UNIDAD ES PESADA. Se necesitan dos personas para realizar un ensamblaje seguro.

Se necesitan dos personas para realizar un ensamblaje seguro. Algunas piezas pueden tener bordes afilados. Utilice guantes de protección si es necesario. Lea y siga todas las recomendaciones de seguridad, advertencias, instrucciones de ensamblaje e instrucciones de uso y cuidado antes de intentar ensamblar y usar la unidad.

INSTRUCCIONES DE ENSAMBLAJE

1. Fije las dos ruedecillas giratorias con mecanismo de bloqueo (M) y las dos ruedecillas giratorias sin mecanismo de bloqueo (N) al conjunto del panel del lado izquierdo del carro (P) y el conjunto del panel del lado derecho del carro (L) con la llave (FF).

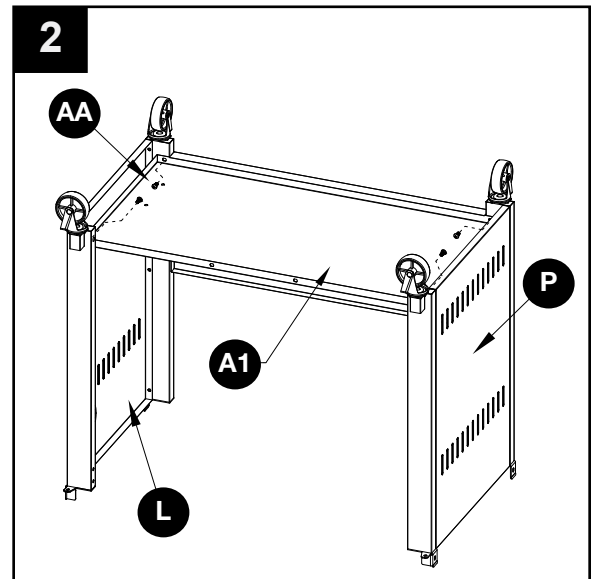
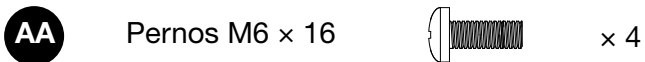
Herramientas y tornillería utilizadas



2. Fije el conjunto del panel del lado izquierdo del carro (P) y el conjunto del panel del lado derecho del carro (L) a la repisa del panel inferior del carro (A1) con dos pernos M6 x 16 (AA).

NO AJUSTE LOS PERNOS TODAVÍA.

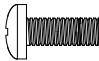
Herramientas y tornillería utilizadas

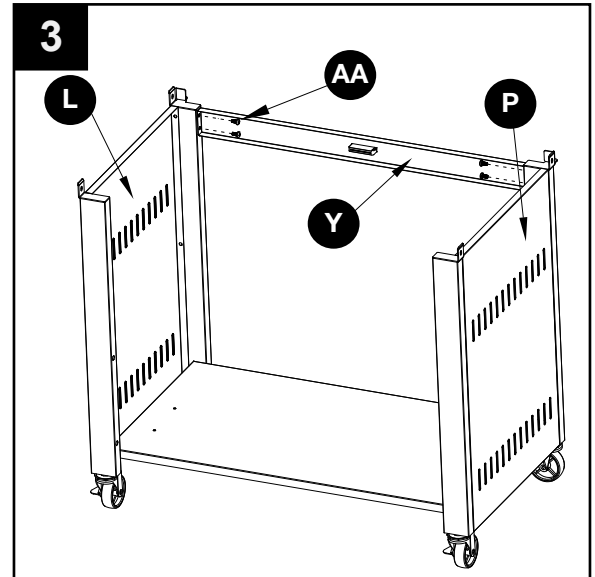


INSTRUCCIONES DE ENSAMBLAJE

3. Fije el tirante de la puerta de la parte frontal superior (Y) al conjunto del panel del lado izquierdo del carro (L) y al conjunto del panel del lado derecho del carro (P) con cuatro pernos M6 × 16 (AA).

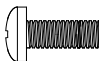
Herramientas y tornillería utilizadas

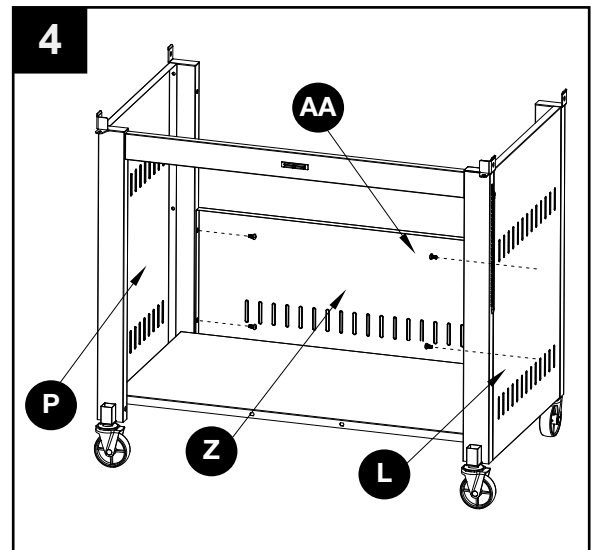
AA Pernos M6 × 16  × 4



4. Fije el panel trasero del carro (Z) al conjunto del panel del lado izquierdo del carro (P) y al conjunto del panel del lado derecho del carro (L) con los cuatro pernos M6 × 16 (AA).

Herramientas y tornillería utilizadas

AA Pernos M6 × 16  × 4




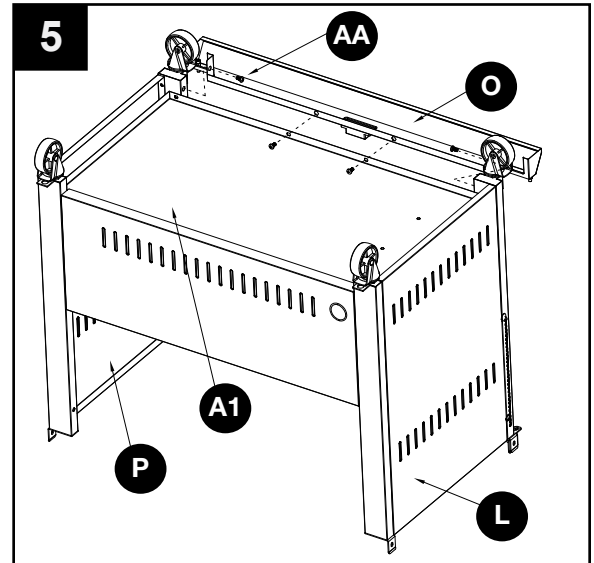
INSTRUCCIONES DE ENSAMBLAJE

5. Fije el conjunto del panel del borde inferior (O) a la repisa inferior del carro (A1), al conjunto del panel del lado izquierdo del carro (P) y al conjunto del panel del lado derecho del carro (L) con cuatro pernos M6 × 16 (AA).

Ajuste firmemente TODOS los pernos a partir del paso 2.


Herramientas y tornillería utilizadas

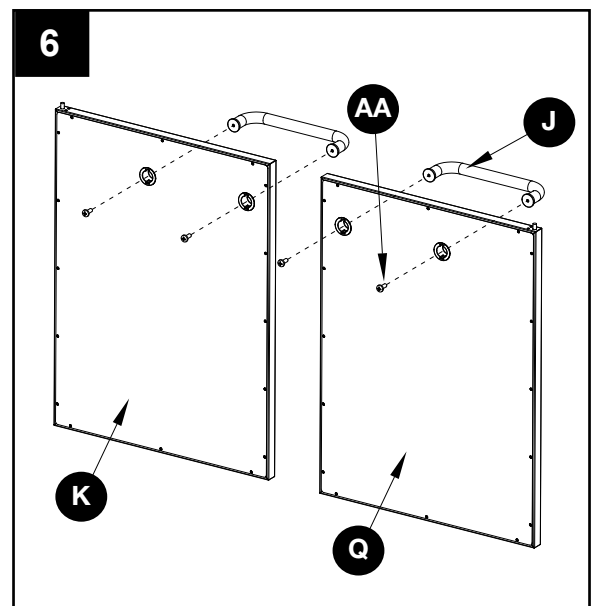
AA Pernos M6 × 16  × 4



6. Fije la manija de la puerta (J) al conjunto de la puerta izquierda (Q) y al conjunto de la puerta derecha (K) con cuatro pernos M6 × 16 (AA).

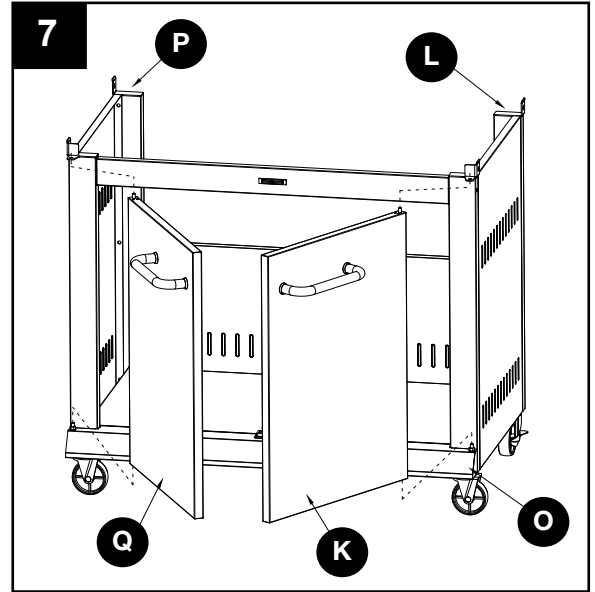
Herramientas y tornillería utilizadas

AA Pernos M6 × 16  × 4



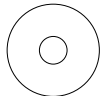


INSTRUCCIONES DE ENSAMBLAJE

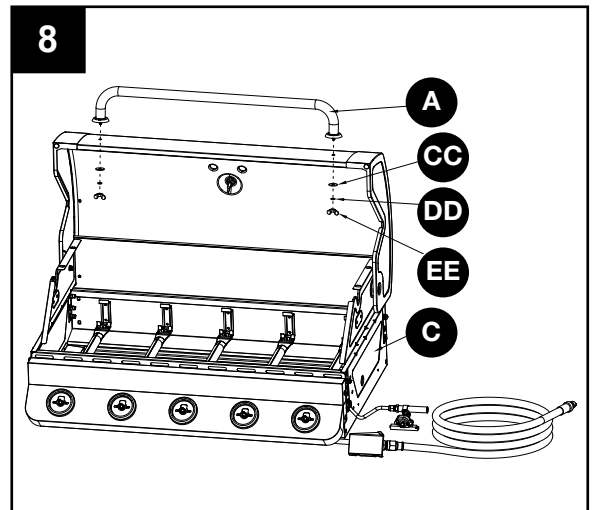
7. Inserte el pasador de la bisagra inferior del conjunto del panel del borde inferior (O) en el orificio inferior del conjunto de la puerta izquierda (Q), luego presione el resorte del pasador de la bisagra en el orificio del conjunto del panel del lado izquierdo del carro (P) como se muestra en la figura.
Repita lo anterior con el conjunto de la puerta derecha (K).



8. Fije la manija de la tapa (A) al conjunto del cuerpo de la parrilla (C) con dos tuercas mariposa (EE), dos arandelas de resorte M6 (DD) y dos arandelas plana M6 (CC).

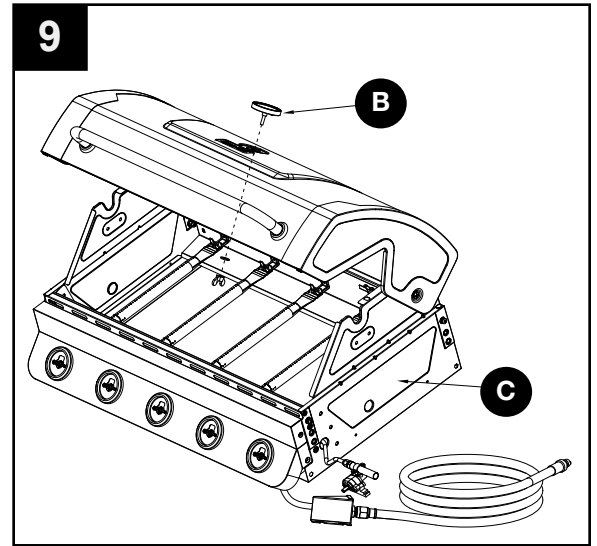
Herramientas y tornillería utilizadas

CC	Arandela plana M6		× 2
DD	Arandela de resorte M6		× 2
EE	Tuerca mariposa M6		× 2



INSTRUCCIONES DE ENSAMBLAJE


9. Retire la tuerca mariposa preensamblada del indicador de temperatura (B), y luego fije el indicador de temperatura (B) al conjunto del cuerpo de la parrilla (C). Asegure el indicador de temperatura (B) con la tuerca mariposa y la arandela que se removieron anteriormente en este paso.

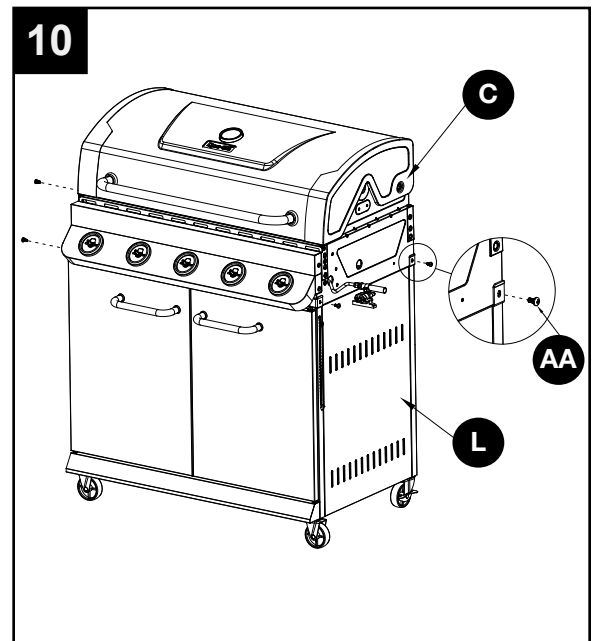


10. Ubique cuidadosamente el cuerpo de la parrilla (C) en el conjunto del panel del lado izquierdo del carro (P) y el conjunto del panel del lado derecho del carro (L). Ajuste el cuerpo de la parrilla (C) de manera que los orificios en el cuerpo de la parrilla (C) estén alineados con los orificios en las lengüetas del conjunto del panel del lado izquierdo del carro (P) y del conjunto del panel del lado derecho del carro (L).

Nota: Asegúrese de la manguera de gas natural esté dentro del carro. Asegure el cuerpo de la parrilla (C) con cuatro pernos M6 × 16 (AA).

Herramientas y tornillería utilizadas

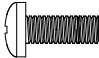

AA Pernos M6 × 16  × 4

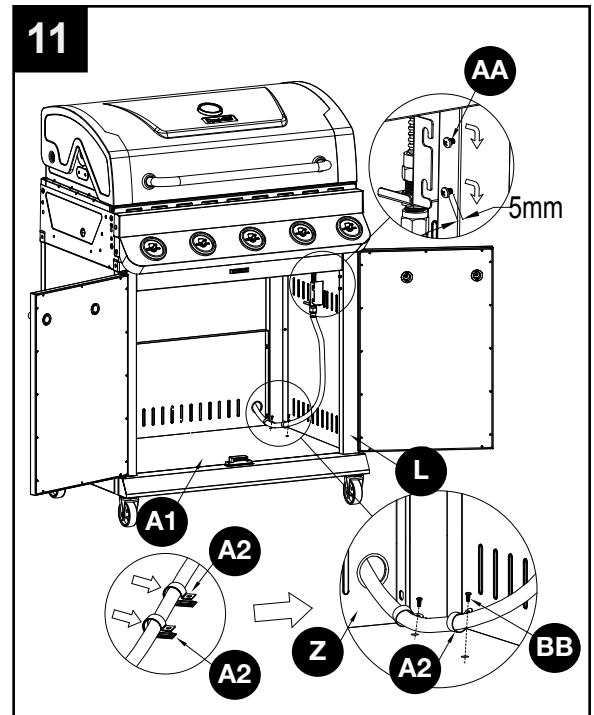


INSTRUCCIONES DE ENSAMBLAJE

11. Coloque dos pernos M6 x 16 (AA) en el conjunto del panel del lateral derecho del carro (L) sin ajustarlos. Asegúrese de dejar un espacio libre de 5 mm entre el perno y el panel. Cuelgue la abrazadera de la manguera de gas natural en los pernos y ajuste ambos pernos. Coloque las abrazaderas de manguera de gas natural de dos piezas (A2) en la manguera. Fije la manguera de gas natural (A2) a la repisa inferior (A1) con dos pernos M6 x 12 (BB). **NOTA:** Asegúrese de que la manguera de gas natural salga a través del orificio en el panel trasero del carro (Z).

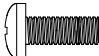
Herramientas y tornillería utilizadas

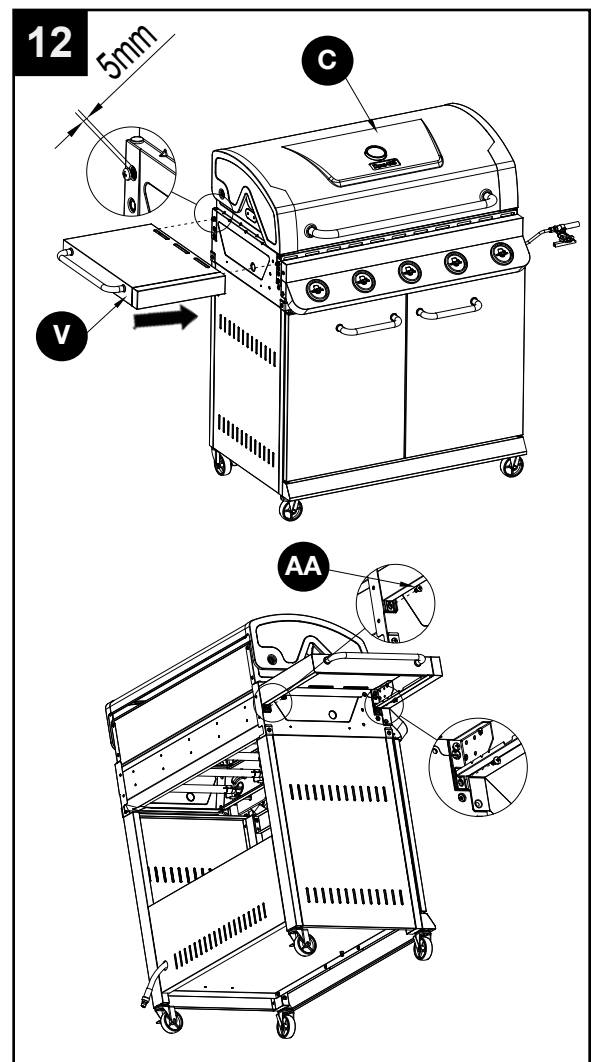
AA	Pernos M6 x 16		x 2
BB	Pernos M4 x 12		x 2



12. Inserte dos pernos M6 x 16 (AA) en el lado izquierdo del cuerpo de la parrilla (C) como se muestra en la figura, dejando expuestos 5 mm de las roscas. Alinee el bocallaves en el conjunto de la mesa del lado izquierdo (V) con los dos pernos que se acaban de insertar en el cuerpo de la parrilla (C) e inserte dos pernos M6 x 16 (AA) en los orificios restantes en el cuerpo de la parrilla (C). Ajuste el conjunto de la mesa del lado izquierdo (V) correctamente, luego apriete todos los pernos.

Herramientas y tornillería utilizadas

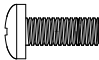
AA	Pernos M6 x 16		x 4
-----------	----------------	---	-----

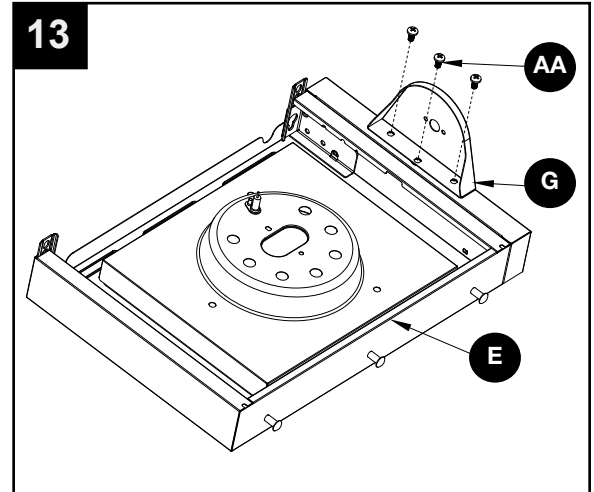


INSTRUCCIONES DE ENSAMBLAJE

13. Fije el panel de control del quemador lateral (G) al conjunto del cuerpo del quemador del lado derecho (E) con tres pernos M6 × 16 (AA).

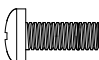
Herramientas y tornillería utilizadas

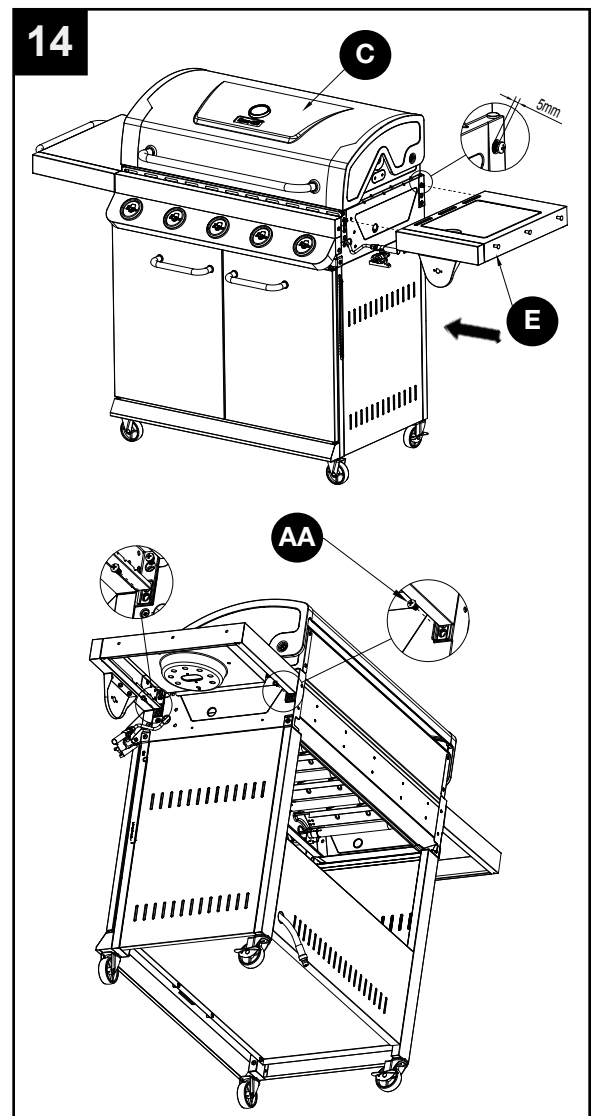
AA Pernos M6 × 16  × 3



14. Inserte dos pernos M6 × 16 (AA) en el lado derecho del cuerpo de la parrilla (C) como se muestra en la figura, dejando expuestos 5 mm de las roscas. Alinee el bocallaves en el conjunto de la mesa del lado derecho (E) con los dos pernos que se acaban de insertar en el cuerpo de la parrilla (C) e inserte dos pernos M6 × 16 (AA) en los orificios restantes en el cuerpo de la parrilla (C). Ajuste el conjunto de la mesa del lado derecho (E) correctamente, luego apriete todos los pernos.

Herramientas y tornillería utilizadas


AA Pernos M6 × 16  × 4

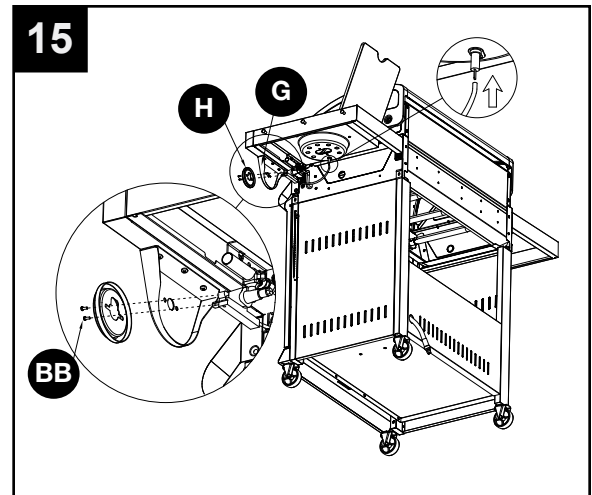


INSTRUCCIONES DE ENSAMBLAJE

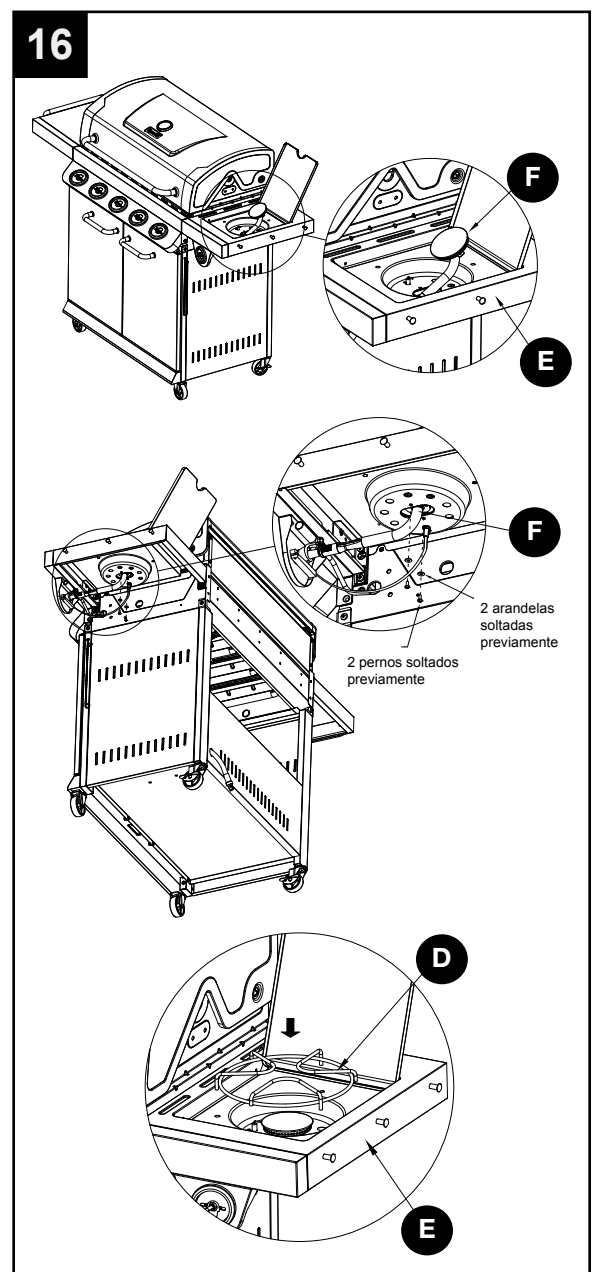
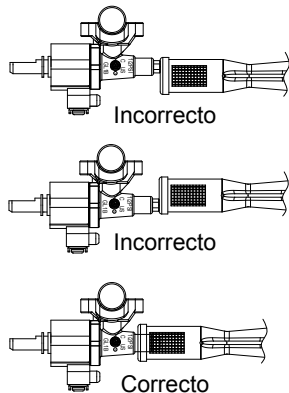
15. Use dos pernos M4x12 (BB) para fijar la válvula del quemador lateral y el bisel de la perilla de control del quemador lateral (H) al panel de control del quemador lateral derecho (G).
Fije el cable de encendido en el electrodo del quemador lateral.

Herramientas y tornillería utilizadas

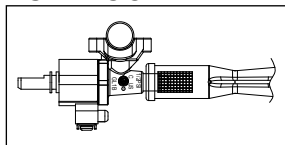
BB Pernos M4 x 12  x 2



16. Desensamble dos pernos M4 x 10 y dos arandelas M4 que estén ensambladas en el quemador lateral (F) y utilícelos para fijar el quemador lateral (F) en el conjunto de la mesa del quemador lateral derecho (E). Asegúrese de que el orificio del quemador lateral sea colocado dentro del tubo de entrada de gas del quemador lateral. Ubique la rejilla para cocinar del quemador lateral (D) en el conjunto de la mesa del quemador lateral derecho (E). Ensamble el cable de ignición en el electrodo del quemador lateral.

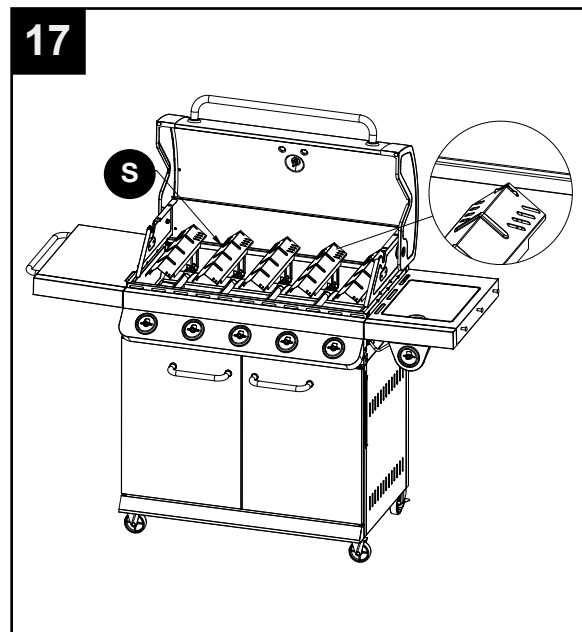


! ADVERTENCIA: ES MUY IMPORTANTE VERIFICAR Y GARANTIZAR QUE CADA UNO DE LOS QUEMADORES ESTÉ COMPLETAMENTE CONECTADO AL ORIFICIO DE LA VÁLVULA ADYACENTE ANTES DE COMPLETAR EL PASO 16.
DE NO HACERLO PODRÍA PRODUCIRSE UN INCENDIO O UNA EXPLOSIÓN LO QUE PUEDE PROVOCAR LESIONES GRAVES O LA MUERTE. CONSULTE LAS INSTRUCCIONES DE LA SECCIÓN DE MANTENIMIENTO PARA VERIFICAR QUE LA CONEXIÓN ESTÉ HECHA CORRECTAMENTE.

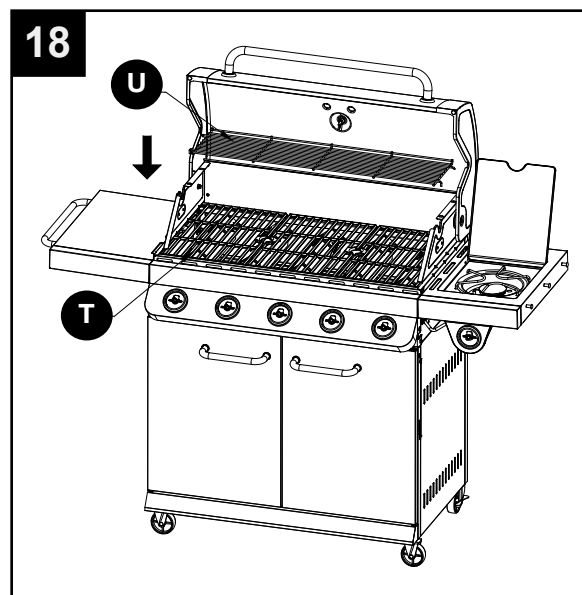


INSTRUCCIONES DE ENSAMBLAJE

17. Coloque cinco protectores térmicos (S) en su lugar sobre cada quemador.

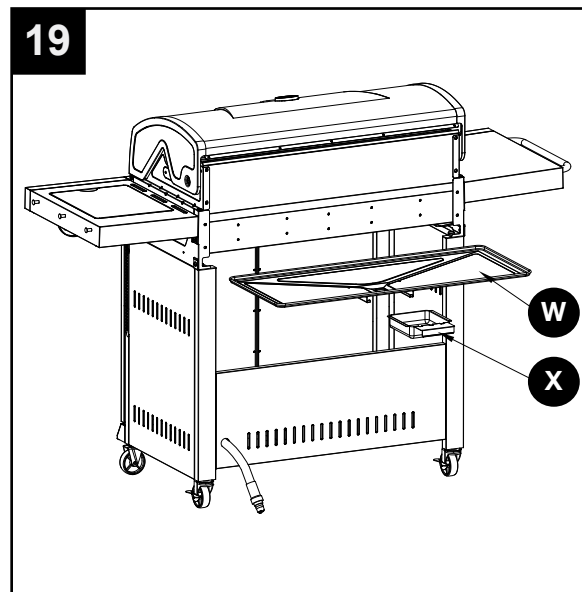


18. Coloque tres rejillas para cocinar (T) y una rejilla para calentar (U) en su lugar.

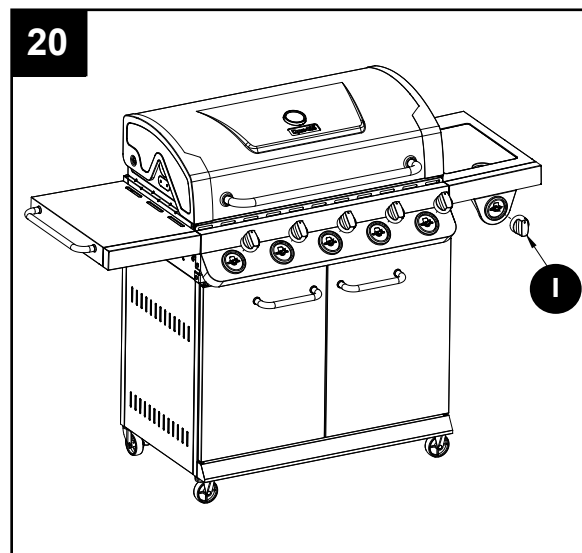


INSTRUCCIONES DE ENSAMBLAJE

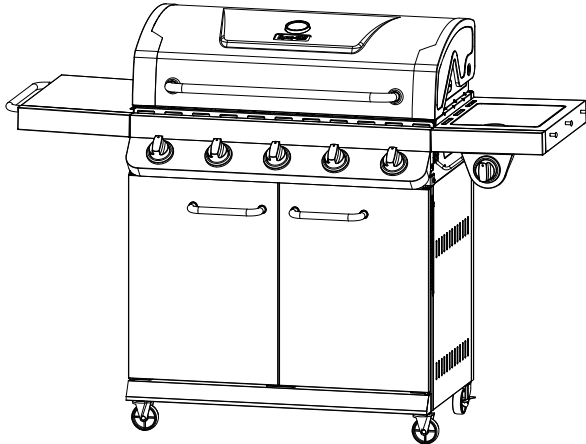
19. Ponga la grasera grande (W) y la grasera pequeña (X) en su lugar.



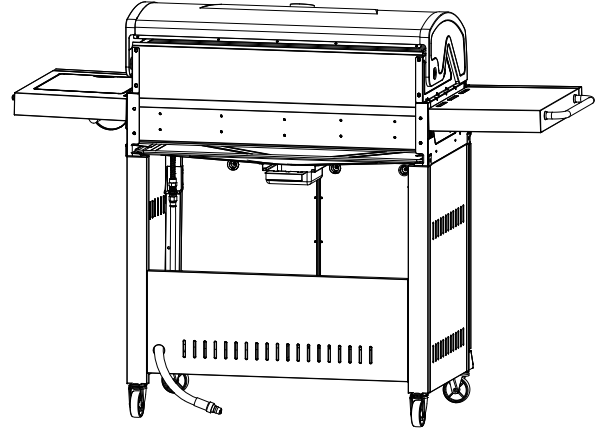
20. Inserte las seis perillas de control (I) en los vástagos de la válvula.



Ensamblado por completo



Vista frontal



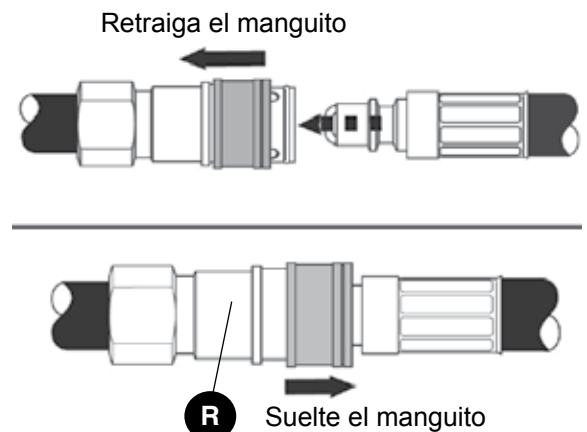
Vista trasera

CONEXIÓN DE LA PARRILLA AL SUMINISTRO DE GAS NATURAL

- El socket de desconexión rápida (R) y la tubería de gas de suministro lo debe instalar una agencia de servicio calificada. La conexión de suministro se debe realizar de acuerdo con los códigos locales o, en su ausencia, el National Fuel Gas Code, A NSI Z223.1/NFPA 54, en los Estados Unidos, o el Natural Gas and Propane Installation Code, CSA B149.1, en Canadá.
- Se debe instalar una válvula de cierre manual de tamaño adecuado entre la parrilla y la tubería de suministro.
- La parrilla y su válvula de cierre individual se deben desconectar del sistema de tubería de suministro de gas durante cualquier procedimiento de prueba del sistema a presiones de prueba que excedan los 0,5 PSI/3,5 kPa).
- La parrilla se debe desconectar del sistema de tuberías de suministro de gas cerrando la válvula de cierre manual individual durante cualquier prueba de presión del sistema de tuberías de suministro de gas a presiones iguales o inferiores a 0,5 PSI (3,5 kPa).
- Siempre conecte la manguera de suministro de gas flexible al suministro de gas antes de operar la válvula de cierre manual.

PARA CONECTAR:

1. Asegúrese de que la válvula de cierre de gas natural esté cerrada.
2. Retire las tapas protectoras de goma del tapón y los extremos de los manguitos de los conectores de conexión rápida. Verifique que los conectores estén limpios.
3. Retraiga el manguito en el acoplador como se muestra.
4. Inserte el tapón y libere el manguito como se muestra.
5. Presione el tapón en el manguito hasta que el manguito encaje hacia delante para fijar el tapón en el acoplador.
6. Abra la válvula de cierre de gas natural.



PARA DESCONECTAR:

1. Cierre el suministro de gas natural en la válvula de cierre.
2. Tire del manguito y jale suavemente el tapón hasta sacarlo.
3. Vuelva a colocar las tapas protectoras de goma en el tapón y los extremos de los manguitos de los conectores de desconexión rápida.

⚠️ ADVERTENCIA

En el proceso de conexión, asegúrese de que:

- La manguera de suministro de gas no entre en contacto con la cámara de combustión

BÚSQUEDA DE FUGAS

Después de realizar todas las conexiones, verifique que no haya fugas en todas las conexiones y los conectores del conector rápido de gas natural, la manguera de gas y el tubo colector con una solución de agua y jabón.

Para evitar incendios o explosiones mientras realiza la prueba de fugas:

- Siempre realice la prueba de fugas antes de encender la parrilla.
- No fume mientras realiza la prueba de fugas.
- Siempre realice las pruebas de fugas en exteriores, en un área bien ventilada.
- No use ninguna fuente de fuego mientras realiza la prueba de fugas.
- No use la parrilla hasta que corrija todas las fugas.
- Si no puede corregir una fuga, cierre la válvula de cierre de gas natural y llame a una agencia de servicio de electrodomésticos a gas.

CÓMO REALIZAR LA PRUEBA DE FUGAS

- Prepare una solución para pruebas de fugas combinando 1 parte de detergente líquido para platos y 3 partes de agua. La solución total que se requiere es aproximadamente 59,15 a 88,72 ml (2 a 3 oz). Coloque la solución para pruebas de fugas en un atomizador.
- Asegúrese de que todas las perillas de control estén en la posición APAGADO.
- Conecte la manguera de gas al suministro de gas.
- Abra la válvula de cierre de gas.
- Rocíe la solución para pruebas de fugas en todas las conexiones y los conectores por donde circule gas. La presencia de burbujas en áreas donde se aplicó la solución para pruebas de fugas indica que hay una fuga de gas. Si se detectan fugas de gas o huele o escucha gas, cierre la válvula de suministro de gas inmediatamente y repare o reemplace la pieza defectuosa. No use la parrilla hasta que haya reparado todas las fugas.

⚠️ PRECAUCIÓN

Use solamente el ensamble la manguera incluido. Si necesita un repuesto, llame a nuestro centro de servicio al cliente. No use piezas de repuesto que no están diseñadas para esta parrilla.

⚠️ ADVERTENCIA

SE DEBEN SEGUIR TODAS LAS INSTRUCCIONES Y MEDIDAS DE SEGURIDAD DE ESTA PÁGINA PARA EVITAR INCENDIOS, DAÑOS Y/O LESIONES.

INSTRUCCIONES DE FUNCIONAMIENTO

Encender la parrilla

Antes de utilizar la unidad por primera vez:


Quite todas las presillas o las fajas de plástico, si están presentes. Es importante que limpie su nueva parrilla a gas con calor antes de utilizarla por primera vez. Para esto, ponga en funcionamiento la parrilla durante aproximadamente 15 minutos, con la tapa cerrada, y la perilla de control en la posición de llama máxima. De esta manera, se limpiarán las piezas internas al quemar los residuos y olores que queden del proceso de fabricación.

⚠ PRECAUCIÓN

Si la llama se apaga accidentalmente durante el encendido o durante el funcionamiento, CIERRE inmediatamente la válvula de cierre de gas natural y luego APAGUE la perilla de control.

⚠ ADVERTENCIA

No se apoye sobre la parrilla cuando la esté encendiendo. Lea las instrucciones antes de encenderla. No coloque ollas en el quemador lateral para dorar. Usar ollas en el quemador lateral para dorar puede causar altos niveles de monóxido de carbono.



1. Verifique que las perillas de control estén en la posición APAGADO ○.
2. Abra el suministro de gas natural en la válvula de cierre.
3. Abra la tapa durante el encendido.
4. Presione y gire la perilla de control en sentido contrario  a las agujas del reloj desde la posición APAGADO ○, pase la posición de encendido ⚡, hasta la posición ALTO 🔥. Puede que tenga que repetir este procedimiento varias veces hasta encender el quemador.

Si no se enciende en 5 segundos, gire la(s) perilla(s) de control a la posición APAGADO ○, espere 5 minutos y repita el procedimiento de encendido.

Si el quemador no se enciende aún, verifique que la válvula de cierre de gas natural esté abierta y siga las instrucciones de encendido con cerilla. Consulte la página 82 de la Guía de solución de problemas para más información.

INSTRUCCIONES DE FUNCIONAMIENTO

ENCENDER LA PARRILLA CON UN FÓSFORO

1. Abra la tapa.
2. Inserte un fósforo en el extremo del portafósforo que está instalado dentro de la puerta del gabinete.
3. Encienda el fósforo.
4. Coloque inmediatamente el fósforo encendido en las rejillas de la parrilla, cerca de los puertos del quemador, entre los protectores térmicos, tal como se ilustra. Asegúrese de que el fósforo encendido esté cerca de los puertos del quemador.
5. Presione la perilla de control que acciona el quemador y gírela  en sentido contrario a las agujas del reloj hasta la posición de llama  máxima. El quemador debería encenderse de inmediato.
6. Repita los pasos 2 a 5 para encender el resto de los quemadores.
7. Ajuste los quemadores a los valores de cocción deseados.

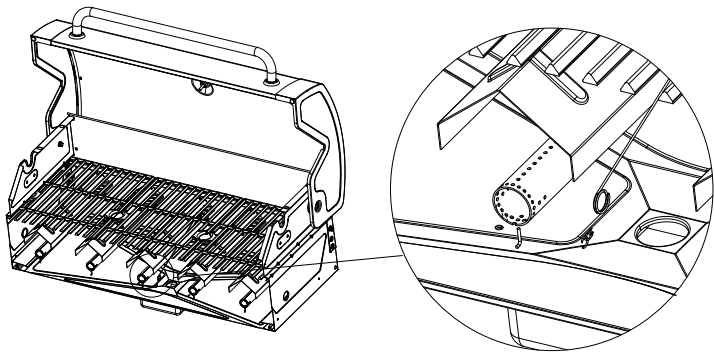
⚠ PRECAUCIÓN

Asegúrese de que todos los controles de los quemadores estén apagados, a excepción del quemador que va a encender y los quemadores que ya se encendieron.

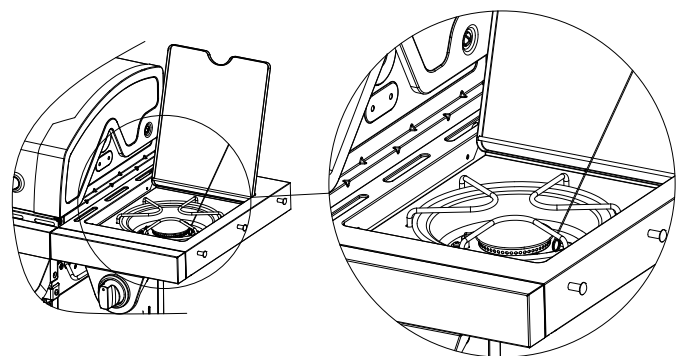
⚠ ADVERTENCIA

Si este no se enciende en 5 segundos, gire la(s) perilla(s) de control a la posición de APAGADO "O", espere 5 minutos y repita el procedimiento de encendido.


Encendido con fósforo del quemador principal



Encendido con fósforo del quemador lateral



INSTRUCCIONES DE APAGADO

1. Gire las perillas de control  en el sentido de las agujas del reloj hasta la posición de apagado **O**.
2. Cierre completamente la válvula de cierre de gas natural.
3. Cierre la tapa.

Cierre la válvula de cierre de gas natural cuando el artefacto no esté en uso.

CUIDADO Y MANTENIMIENTO

Rejillas para cocinar

El mejor momento para limpiar con calor las rejillas de la parrilla es después de cada uso (aproximadamente 15 minutos). La parrilla ya está caliente luego de cocinar y, por lo tanto, requiere menos combustible para llegar a la temperatura necesaria para limpiar con calor.

Para limpiar con calor su parrilla, lleve los quemadores a la posición de llama máxima y déjelos funcionar así durante 15 minutos con la tapa cerrada. Apague los quemadores y utilice un cepillo de alambre para limpiar los restos de alimentos de las rejillas.

Las rejillas tienen un acabado de porcelana esmaltada (similar al vidrio) y deben manipularse con cuidado para no se dañe.

⚠ PRECAUCIÓN

Verifique que la parrilla esté fría antes de limpiarla y de realizar el mantenimiento. Cuide además que el suministro de gas esté cerrado de la válvula de cierre de gas natural.

Elementos de limpieza recomendados

Lavavajillas líquido suave, agua tibia, esponja de fibra de nylon, cepillo de alambre
NO utilice limpiadores que contengan ácido, minerales ni sustancias abrasivas.

Superficies exteriores

Se recomienda utilizar solo lavavajillas suave y agua caliente para limpiar la parrilla y sus piezas. Enjuague con agua caliente.

Bandeja inferior interna del cuerpo de la parrilla

Para evitar que se produzcan llamaradas, la parte inferior de la parrilla se debe limpiar regularmente. Retire el residuo con un cepillo, una espátula o un paño de limpieza. Limpie con lavavajillas suave y agua tibia. Enjuague con agua caliente. Evite salpicar agua en los tubos de Venturi de los quemadores.

Protectores térmicos

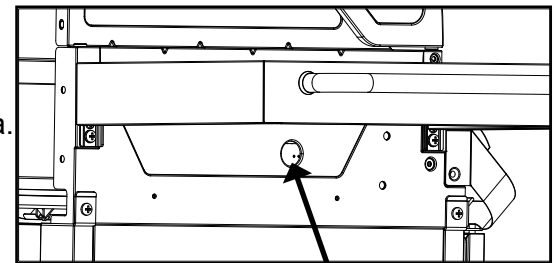
Limpie los residuos con el cepillo de alambre y lave con lavavajillas suave y agua tibia. Enjuague con agua caliente.

Grasera

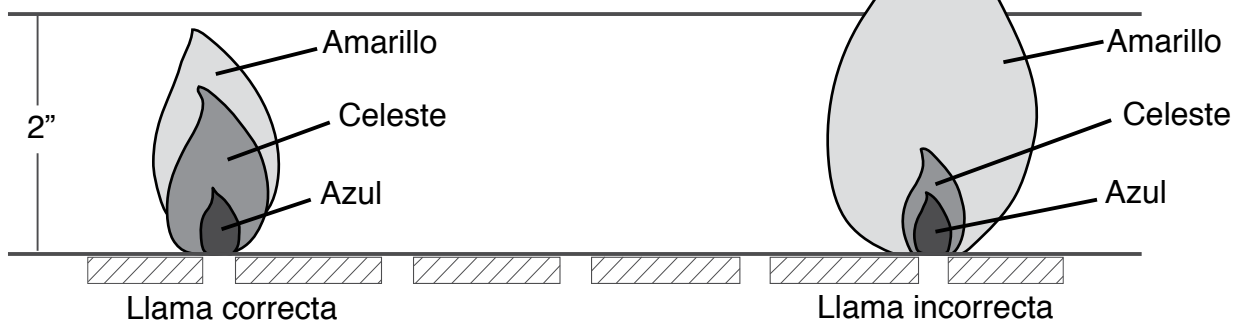
Vacíe la grasera y límpiela regularmente con lavavajillas y agua tibia.

Verificar la llama

Para lograr máxima eficiencia del combustible y mejor rendimiento al cocinar, la llama debe ser de color azul-amarilla y tener entre 1 y 2 pulgadas de alto. Para controlar la llama, obsérvela por los orificios ubicados a ambos lados de la cámara de combustión.



Orificio para ver la llama



CUIDADO Y MANTENIMIENTO

Conjunto del quemador

Retirar el conjunto del quemador

1. Asegúrese de que todas las perillas de control estén en la posición de apagado, la válvula de suministro de gas esté cerrada y la manguera de gas esté desconectada del suministro de gas.
2. Abra la tapa y retire la rejilla para calentar, las rejillas para cocinar, y los protectores térmicos.
3. Retire las varillas de la bisagra, como se muestra en la Figura 1.
4. Quite los quemadores principales de la cámara de combustión.
5. Desconecte el cable de encendido del electrodo (Figura 2).

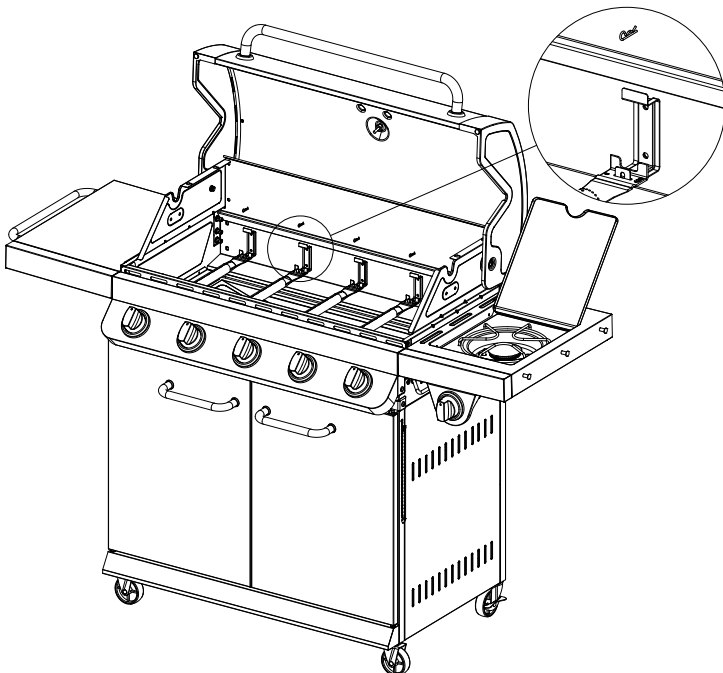
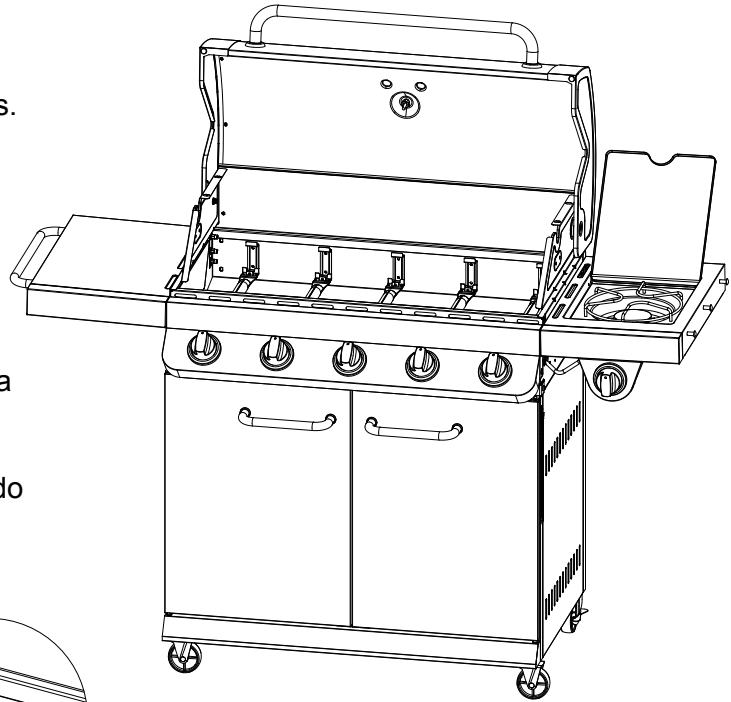
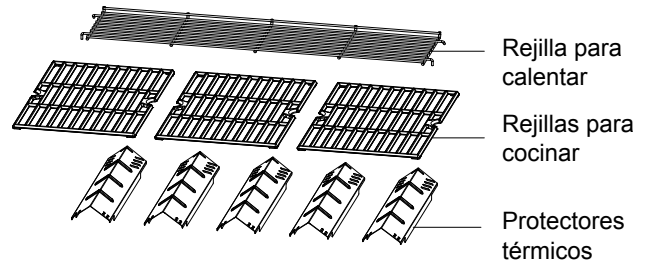


Figura 1

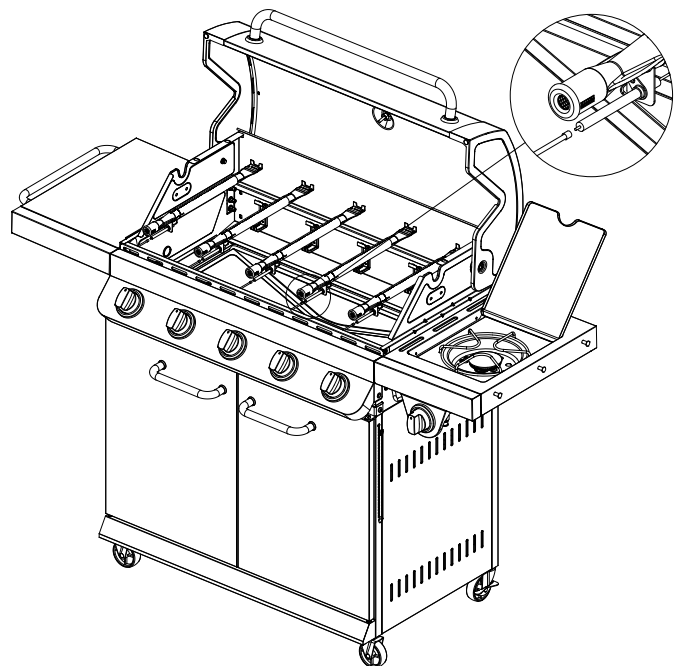


Figura 2

CUIDADO Y MANTENIMIENTO

Limpiar el conjunto del quemador

– Asegúrese de que la parrilla esté fría

1. Verifique que todos los puertos del quemador estén libres de obstrucciones. También funciona si usa un alfiler o sujetapapeles.
2. Asegúrese de que el quemador esté libre de daños. Si encuentra algún daño, reemplácelo por uno nuevo.
3. Asegúrese de que el extremo del quemador y la pantalla de aire principal estén libres de nidos de insectos, suciedad o tierra.

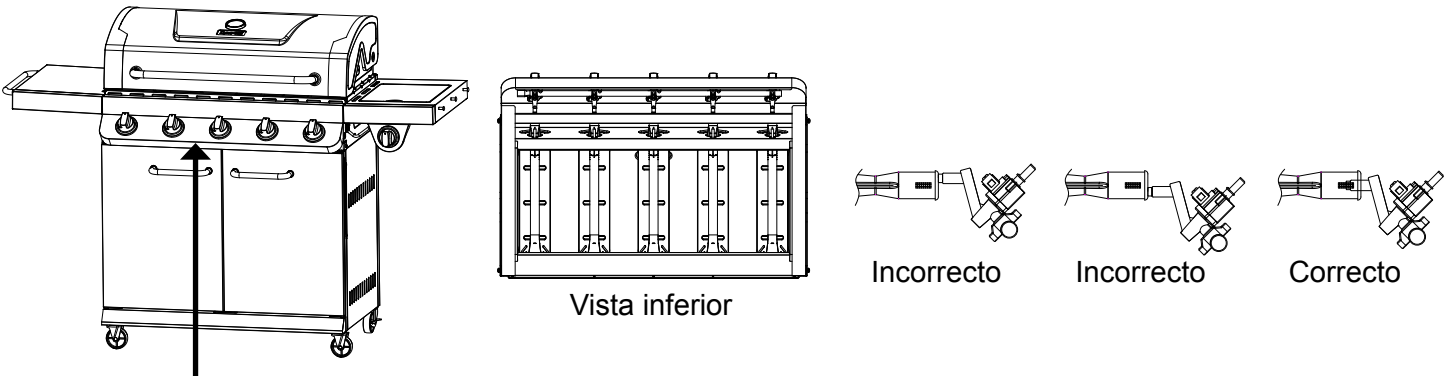
Volver a instalar el quemador

Verifique que los orificios de la válvula de gas estén posicionados correctamente dentro de la entrada del quemador interior (Venturi).

Es posible que deba utilizar una linterna para asegurarse de que la posición sea la correcta.

Se recomienda visualizar la posición correcta a través de los orificios de ventilación de la cámara de combustión, tal como se ilustra a continuación.

Vuelva a conectar cada quemador con el pasador de la bisagra y vuelva a conectar el cable de encendido al electrodo.



Observe la posición correcta desde la parte inferior de la cámara de combustión

⚠ ADVERTENCIA

Si no se siguen las instrucciones anteriores, podría producirse un incendio o una explosión, lo que puede provocar lesiones graves o la muerte.

Otros procedimientos de cuidado y mantenimiento

Se recomienda que un técnico cualificado inspeccione y repare todos los años este artefacto.

Le recomendamos que antes de encenderlo, verifique siempre que la zona exterior donde se encuentra el artefacto para cocinar esté limpia y libre de material combustible, gasolina, y otros vapores y líquidos inflamables.

Se aconseja revisar con regularidad que el flujo de combustión y el aire de ventilación no estén obstruidos.

Se recomienda que verifique con regularidad que las aberturas de ventilación del gabinete de la parrilla estén libres de suciedad.

Aconsejamos que revise y limpie con regularidad los tubos del quemador/Venturi para que no haya insectos ni nidos de insectos. Un tubo obstruido puede ocasionar un incendio debajo de la parrilla.

SOLUCIÓN DE PROBLEMAS

Si tiene alguna pregunta sobre el producto, llame al Departamento de Atención al Cliente al 1-877-447-4768, de lunes a viernes de 8:30 a. m. a 4:30 p. m. (hora central estándar).

PROBLEMA	CAUSA POSIBLE	ACCIÓN CORRECTIVA
El quemador no se enciende con el procedimiento de encendido (se produce una chispa débil o no se produce ninguna chispa).	<ol style="list-style-type: none">1. El electrodo de encendido podría estar cubierto de grasa o residuos.2. El electrodo de encendido podría tener un cable suelto o desconectado.3. Electrodo de encendido roto o dañado.	<ol style="list-style-type: none">1. Limpie el electrodo de encendido.2. Revise la conexión y vuelva a conectar los cables sueltos o desconectados.3. Reemplace el electrodo de encendido (consulte la Lista de piezas de repuesto).
Bajo nivel de calentamiento.	<ol style="list-style-type: none">1. Presión de gas insuficiente para la unidad.	<ol style="list-style-type: none">1. Llame a una agencia de servicio calificada para verificar la presión del suministro de gas y corregirla.
Demasiadas llamaradas.	<ol style="list-style-type: none">1. Acumulación de grasa y/o residuo en los protectores térmicos o en la cámara de combustión.2. Goteo excesivo de grasa o adobos de la comida.3. La temperatura de cocción es demasiado elevada.	<ol style="list-style-type: none">1. Limpie los componentes de la parrilla.2. Retire la grasa de la carne y utilice adobos que no sean a base de aceite.3. Disminuya la temperatura según corresponda.

PROBLÈME	CAUSE POSSIBLE	SOLUTION
<p>Le brûleur ne s'allume pas à l'aide d'une allumette.</p>	<ol style="list-style-type: none"> 1. L'allumette n'atteint pas les brûleurs (lorsque vous la tenez d'une main). 2. L'alimentation en gaz est coupée. 3. Il y a un mauvais branchement entre le raccord à manchon et l'embout du tuyau de gaz. 4. L'entrée du brûleur est obstruée. 	<ol style="list-style-type: none"> 1. Utilisez le support à allumettes situé dans la porte de l'armoire. 2. Vérifiez si la vanne d'arrêt du gaz naturel est ouverte. 3. Tournez les boutons de commande à la position OFF (fermé), fermez la vanne d'arrêt du gaz, puis vérifiez le branchement du raccord à manchon et de l'embout. Au besoin, déconnectez-les et reconnectez-les. 4. Nettoyez le diffuseur (venturi) et le brûleur selon les instructions de la section Entretien du manuel.
<p>Le gaz ne circule pas ou sa circulation est entravée.</p>	<ol style="list-style-type: none"> 1. L'alimentation en gaz est coupée. 2. Il y a un mauvais branchement entre le raccord à manchon et l'embout du tuyau de gaz. 3. L'entrée du brûleur est obstruée. 	<ol style="list-style-type: none"> 1. Vérifiez si la vanne d'arrêt manuel du gaz est ouverte. 2. Tournez les boutons de commande à la position OFF (fermé), fermez la vanne d'arrêt du gaz, puis vérifiez le branchement du raccord à manchon et de l'embout. Au besoin, déconnectez-les et reconnectez-les. 3. Nettoyez le diffuseur (venturi) et le brûleur selon les instructions de la section Entretien du manuel.

GARANTÍA LIMITADA

Garantía limitada por 1 año

Esta parrilla de gas natural tiene garantía por 1 año (5 años en los quemadores de acero inoxidable) contra piezas rotas o dañadas en el momento de la compra. Se garantiza que está libre de defectos. La pintura tiene una garantía contra defectos, a excepción del óxido, que podría aparecer después de varios usos.

Esta garantía no cubre los daños o problemas relacionados con la negligencia, el uso indebido o las modificaciones al artefacto. El trabajo de reparación no está cubierto.

Todas las piezas que cumplan con los requisitos de la garantía serán enviadas sin cargo a discreción del fabricante (envíos terrestres, correo de EE. UU. o servicio de encomiendas ÚNICAMENTE). Los cargos de entrega especial (es decir, entrega de segundo día, antes del mediodía, etc.) serán responsabilidad del consumidor.

Todos los reclamos bajo la garantía solo se aplican al comprador original y requieren una prueba de la compra que verifique la fecha de compra. No devuelva piezas sin antes obtener el número de autorización de devolución emitido por nuestro servicio al cliente. Este servicio está disponible a través del número gratuito 1-877-447-4768, de lunes a viernes de 8:30 a. m. a 4:30 p. m. (hora central estándar).

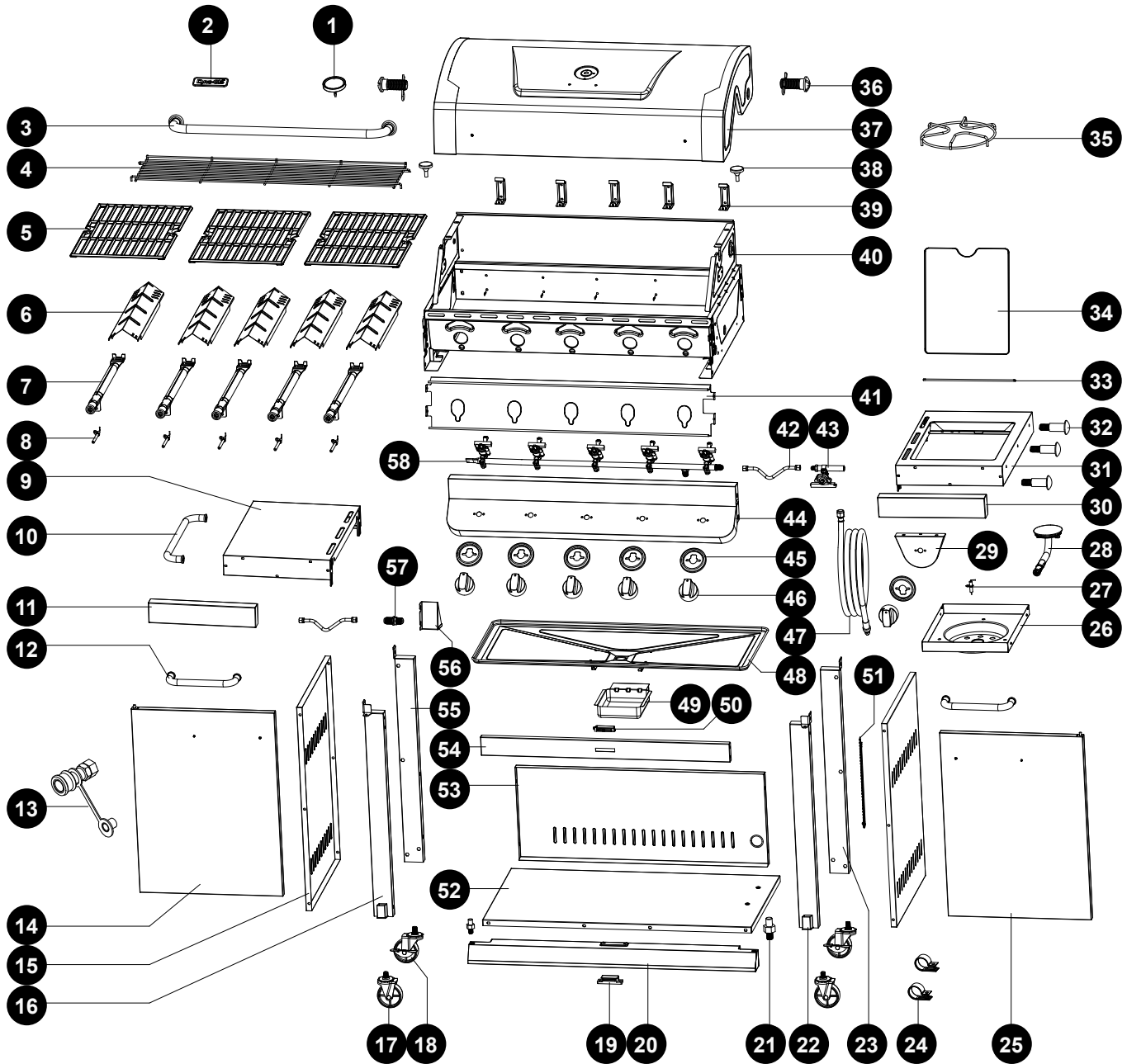
AVISO: Algunos estados no permiten la exclusión o limitación de daños incidentales o indirectos por el tiempo que dura una garantía implícita. Por lo tanto, es posible que las limitaciones o exclusiones mencionadas no se apliquen en su caso. Esta garantía otorga derechos legales específicos, y podría haber otros derechos legales aplicables según el estado.

GHP Group Inc.
6440 W. Howard Street
Niles, IL, EE. UU.
60714-3302

Nombre del artículo Parrilla premier 5 quemadores y quemador lateral para gas natural
N.º de modelo: DGP552SSN / DGP552SSN-D / DGP552CSN / DGP552CSN-D / DGP552GSN /
DGP552GSN-D / DGP552MSN / DGP552MSN-D
Total nominal de BTU del quemador principal: 60 000 BTU/h
Valor nominal de BTU del quemador lateral: 12 000 BTU/h

LISTA DE PIEZAS DE REPUESTO

Para obtener las piezas de repuesto, llame a nuestro Departamento de Atención al Cliente al 1-877-447-4768, de lunes a viernes de 8:30 a. m. 4:30 p. m. (hora central estándar).



PIEZA	DESCRIPCIÓN	N.º DE PIEZA
1	Conjunto del indicador de temperatura	70-01-786
2	Placa	70-01-540
3	Manija de la tapa	70-01-788
4	Rejilla para calentar	70-01-789
5	Rejilla para cocinar	70-01-790
6	Protector térmico	70-01-791
7	Quemador principal con presilla (gas natural)	70-02-273
8	Encendedor del quemador principal	70-01-793
9	Conjunto de la mesa del lado izquierdo	70-01-794
10	Manija para toallas	70-01-795

LISTA DE PIEZAS DE REPUESTO

Para obtener las piezas de repuesto, llame a nuestro Departamento de Atención al Cliente al 1-877-447-4768, de lunes a viernes de 8:30 a. m. 4:30 p. m. (hora central estándar).

PIEZA	DESCRIPCIÓN	N.º DE PIEZA
11	Panel frontal de la mesa del lado izquierdo	70-01-796
12	Manija de la puerta	70-01-797
13	Acoplamiento de desconexión rápida (5B)	70-02-281
14	Conjunto de la puerta izquierda - DGP552SSN / DGP552SSN-D - Inoxidable	70-01-799
	Conjunto de la puerta izquierda - DGP552CSN / DGP552CSN-D - Negro	70-01-800
	Conjunto de la puerta izquierda - DGP552GSN / DGP552GSN-D - Bronce de cañón	70-01-801
	Conjunto de la puerta izquierda - DGP552MSN / DGP552MSN-D - Café moca	70-01-802
15	Panel del lado izquierdo del carro	70-01-803
16	Tubo de la pata frontal izquierda del carro	70-01-804
17	Ruedecillas giratorias sin mecanismo de bloqueo	70-01-805
18	Ruedecillas giratorias con mecanismo de bloqueo	70-01-806
19	Imán de la puerta A	70-01-807
20	Conjunto del panel del borde inferior	70-01-808
21	Eje de la puerta	70-01-809
22	Tubo de la pata frontal derecha del carro	70-01-810
23	Tubo de la pata trasera derecha del carro	70-01-811
24	Abrazadera de la manguera de gas natural	70-02-279
25	Conjunto de la puerta derecha - DGP552SSN / DGP552SSN-D - Inoxidable	70-01-813
	Conjunto de la puerta derecha- DGP552CSN / DGP552CSN-D - Negro	70-01-814
	Conjunto de la puerta derecha- DGP552GSN / DGP552GSN-D - Bronce de cañón	70-01-815
	Conjunto de la puerta derecha- DGP552MSN / DGP552MSN-D - Café moca	70-01-816
26	Bandeja del quemador lateral	70-01-817
27	Encendedor del quemador lateral	70-01-818
28	Quemador lateral (gas natural)	70-02-282
29	Panel de control del quemador lateral	70-01-820
30	Panel frontal de la mesa del lado derecho	70-01-821
31	Conjunto del cuerpo del quemador del lado derecho	70-01-822
32	Gancho para herramientas	70-01-823
33	Varilla de la tapa del quemador lateral	70-01-824
34	Tapa del quemador lateral	70-01-825
35	Rejilla del quemador lateral	70-01-826
36	Bisagra de la tapa (con tuerca, arandela y presilla)	70-01-827
37	Conjunto de la tapa - DGP552SSN / DGP552SSN-D - Inoxidable	70-01-828
	Conjunto de la tapa - DGP552CSN / DGP552CSN-D - Negro	70-01-829
	Conjunto de la tapa - DGP552GSN / DGP552GSN-D - Bronce de cañón	70-01-830
	Conjunto de la tapa - DGP552MSN / DGP552MSN-D - Café moca	70-01-831
38	Tope de la tapa	70-01-832
39	Soporte del quemador principal del protector térmico	70-01-833
40	Conjunto de la cámara de combustión	70-01-834
41	Pantalla térmica del panel de control	70-01-835
42	Conjunto de la manguera corrugada	70-01-836
43	Válvula lateral (gas natural)	70-02-283

LISTA DE PIEZAS DE REPUESTO

Para obtener las piezas de repuesto, llame a nuestro Departamento de Atención al Cliente al 1-877-447-4768, de lunes a viernes de 8:30 a. m. 4:30 p. m. (hora central estándar).

PIEZA	DESCRIPCIÓN	N.º DE PIEZA
44	Panel de control - DGP552SSN / DGP552SSN-D, DGP552GSN-D / DGP552GSN, DGP552MSN / DGP552MSN-D - Inoxidable	70-01-838
	Panel de control - DGP552CSN-D / DGP552CSN - Negro	70-01-839
45	Bisel de la perilla de control	70-01-184
46	Perilla de control	70-01-185
47	Manguera de gas natural (1/2")	70-02-284
48	Grasera grande	70-01-843
49	Grasera pequeña	70-01-844
50	Imán de la puerta B	70-01-845
51	Portafósforo con cadena	70-01-846
52	Estante del panel inferior del carro	70-02-285
53	Panel trasero del carro	70-02-286
54	Tirante de la puerta de la parte frontal superior	70-01-849
55	Tubo de la pata trasera izquierda del carro	70-01-899
56	Soporte del manguera de gas natural	70-01-897
57	Conector	70-01-886
58	Conjunto del colector y las válvulas principales (gas natural)	70-02-288
AA-FF	Paquete de tornillería	70-09-547