

Location:



Lavatory Faucet SLS-5510, SLS-5512 Specification Submittal



Model Numbers

- SLS-5512 Lavatory Faucet with pop-up drain assembly, p/n 01669
- SLS-5510 Lavatory Faucet only, p/n 01822

Options / Modifications

Append appropriate -suffix to model number

- 0.5 0.5 gpm (1.9 L/min) flow rate restrictor
- 1.0 1.0 gpm (3.8 L/min) flow rate restrictor
- 1.5 1.5 gpm (7.6 L/min) flow rate restrictor
- BH Braided supply hoses with 3/8 inch compression fittings
- DP4 4 inch deck plate

Finish Options / Modifications

Append appropriate -suffix to model number

- STN Satin Nickel
- SBZ Seasoned Bronze
- Polished Chrome (standard finish)

Feature Highlights

- Single post round lavatory faucet with swivel lever handle
- Single hole deck mounting and optional 4 inch deck plate
- Commercial grade 1/4 turn ceramic disc valve cartridge for drip free performance
- Pop-up drain and lift rod assembly (SLS-5512 only)
- 3/8 inch copper supply lines with 1/2 inch IPS fittings
- Aerator with standard 2.2 gpm flow rate (8.3 L/min)
Optional aerator available in lower flow rates
- Metal construction
- Polished chrome finish (standard)

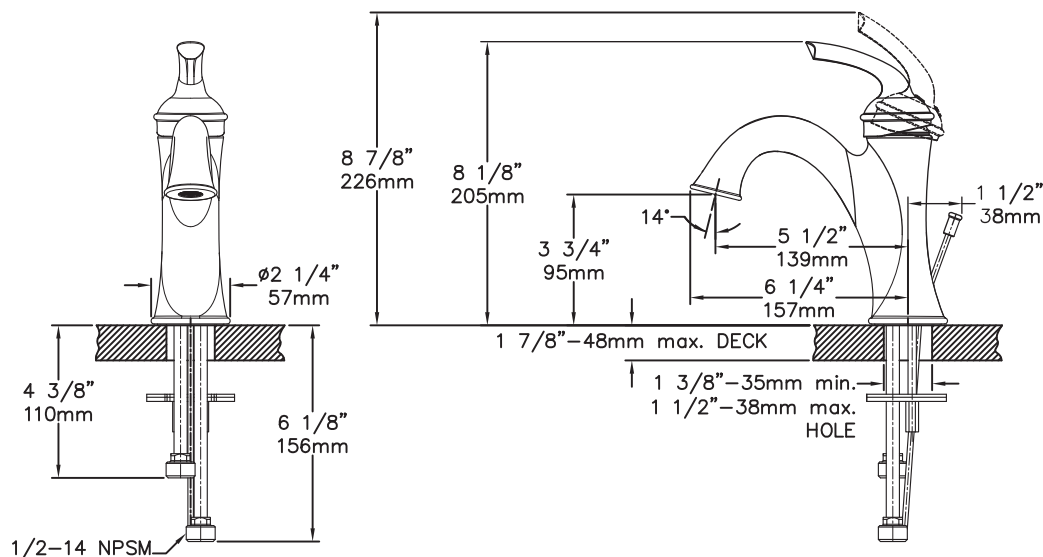
Standards / Certifications

- ASME A112.18.1-2005 / CSA B125.1-05
- Low lead compliant, AB1953/S.152/S.3874
- WaterSense® Certified
- Americans with Disabilities Act (ADA) compliant

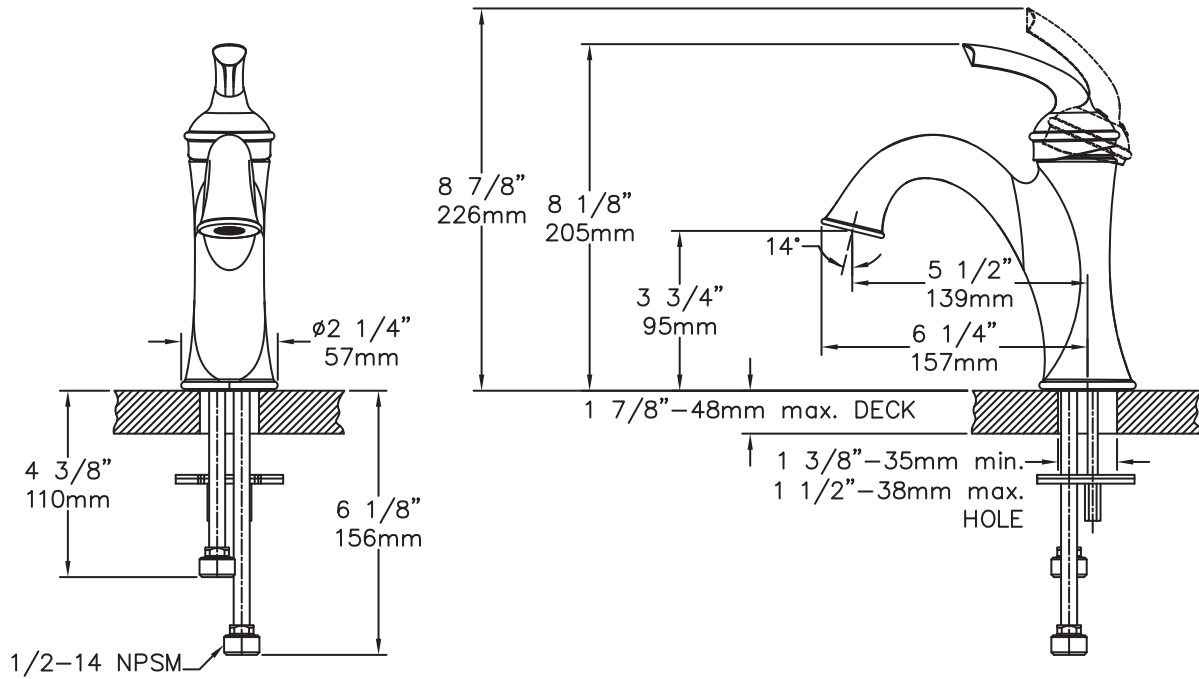
Warranty

- Limited Lifetime - to the original end purchaser in consumer installations
- 5 years - for commercial installations

Dimensions Elm Single Handle Lavatory Faucet, SLS-5512 Faucet with copper supply tubes



Dimensions Elm Single Handle Lavatory Faucet, *SLS-5510*
Faucet with copper supply tubes



Dimensions Elm Single Handle Lavatory Faucet, *SLS-5512-BR*
Faucet with braided supply hoses

