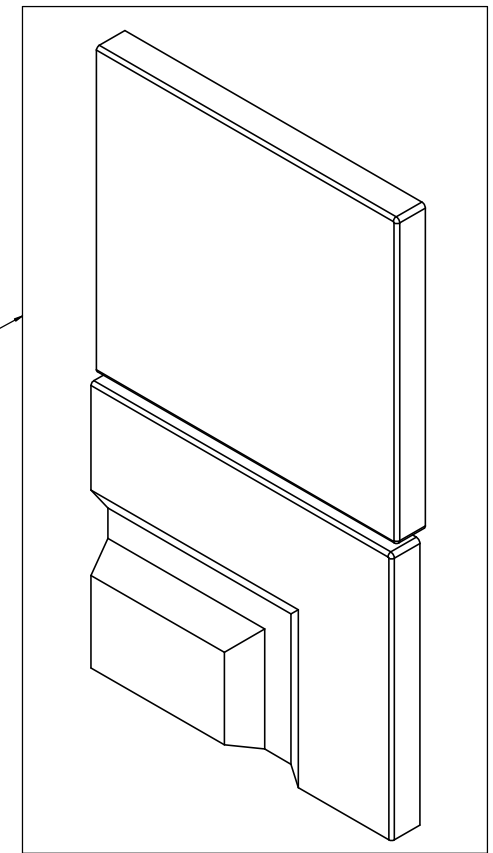
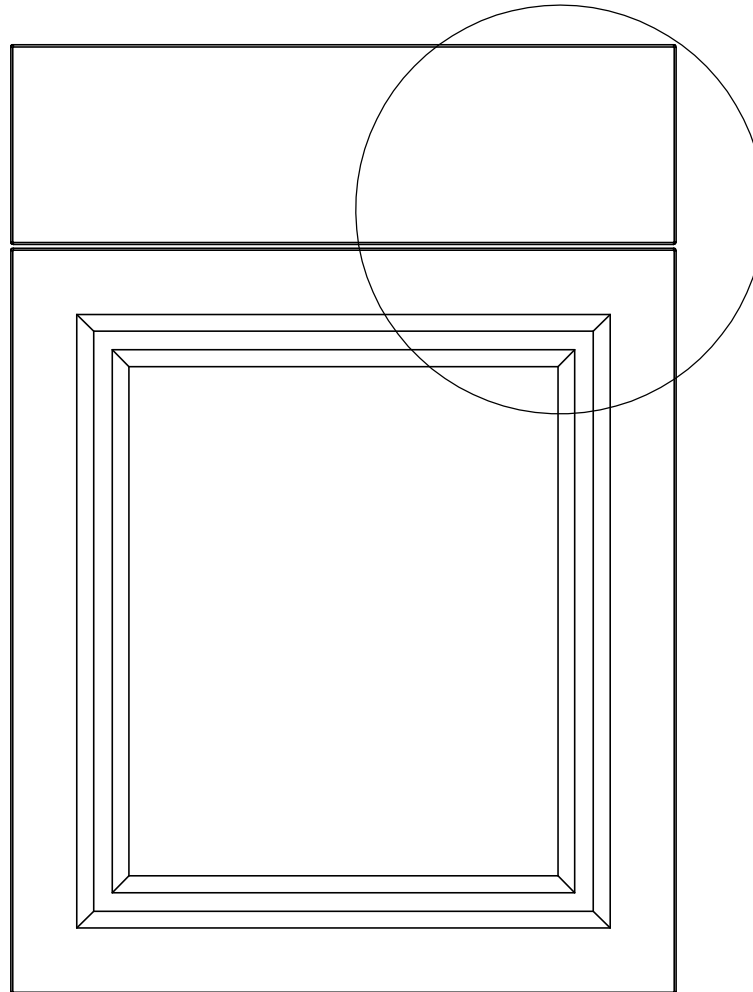


Item ID	Front Thickness [in] mm	Door Thickness [in] mm
BT2135B-WH	[.63] 16	[.63] 16

**This profile  
belongs to  
BT2135B-WH**



**Detailed View**

**Profile: Benton White**

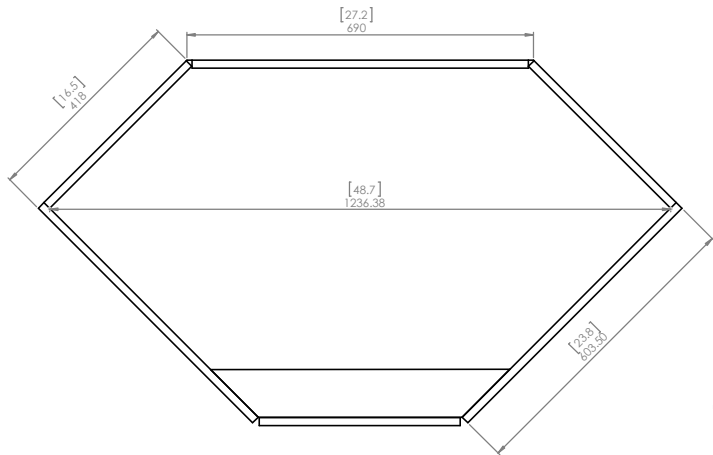
PROPRIETARY AND CONFIDENTIAL  
THE INFORMATION  
CONTAINED IN THIS DRAWING  
IS THE SOLE PROPERTY OF  
WOODCRAFTERS. ANY  
REPRODUCTION IN PART OR  
AS A WHOLE WITHOUT THE  
WRITTEN PERMISSION OF  
WOODCRAFTERS IS  
PROHIBITED.

UNLESS OTHERWISE  
SPECIFIED  
DIMENSIONS ARE IN  
MM AND [INCHES]  
TOLERANCES ARE  
+.039[1]-.039[1]  
SCALE:1:2

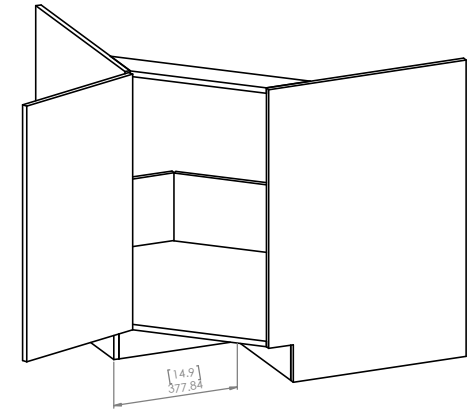
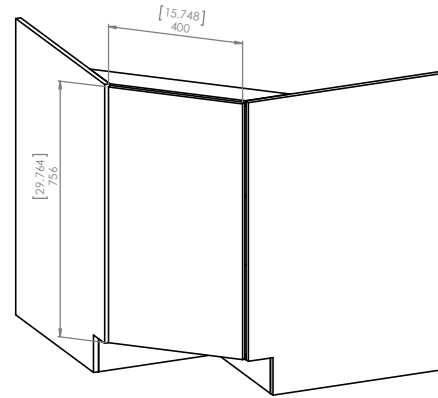


Item ID	Shelf Thickness [in] mm	Shelf Length and Width [in] mm	Depth [in]
CM3635C-KG	N/A	N/A	24.5
BT3635C-RC			24.6
BT3635C-WH			24.5
CM3635C-DK			24.6
CM3635C-WH			24.5

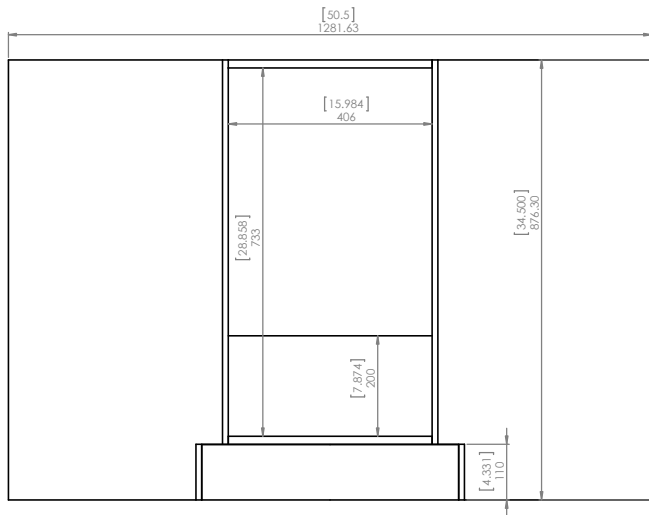
Description					
Corner Sink Base Cabinet					
REV	ECO#	Description	REV'D BY DATE	CHK'D BY DATE	APRV'D BY DATE
0		Release	ASG 3/4/18	ASG 3/4/18	ASG 3/4/18



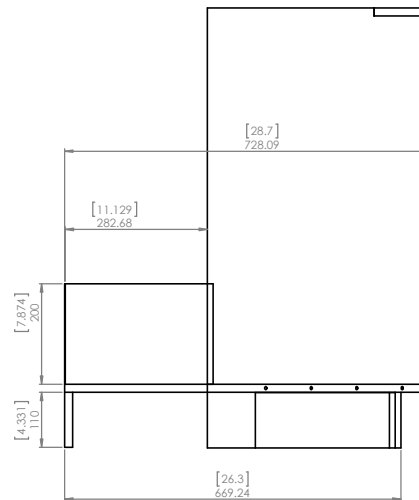
Top View




Isometric View



Front View  
(front door removed)



Side View  
(left panel removed)

NAME	DATE	MATERIAL:	
DRAWN Adrian Salinas	3/4/18		
CHK'D Adrian Salinas	3/4/18		
APV'D Adrian Salinas	3/4/18		
MFG		WEIGHT:	
PROPRIETARY AND CONFIDENTIAL THE INFORMATION CONTAINED IN THIS DRAWING IS THE SOLE PROPERTY OF WOODCRAFTERS. ANY REPRODUCTION IN PART OR AS A WHOLE WITHOUT THE WRITTEN PERMISSION OF WOODCRAFTERS IS PROHIBITED.			UNLESS OTHERWISE SPECIFIED DIMENSIONS ARE IN MM. AND [INCHES] TOLERANCES ARE +/- [0.039] SCALE:1:5
Corner Sink Base Cabinet			A1
SCALE:1:5			SHEET 1 OF 1