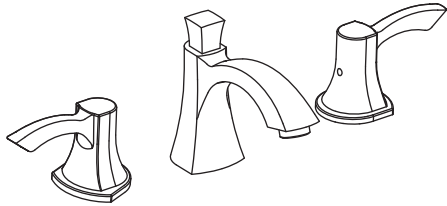


## Instructions for Models:

SB-1821  
SB-1821-E



## Need Help?

For additional assistance or service call:

**SPEAKMAN** Company  
400 Anchor Mill Road  
New Castle, DE 19720

PHONE: 800-537-2107  
EMAIL: [customerservice@speakman.com](mailto:customerservice@speakman.com)  
WEB: [www.speakman.com](http://www.speakman.com)

92-SB-1821-R2

## What You Need To Know:

### Tools:

#### Required:

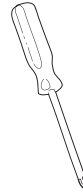
\*Adjustable  
Wrench



\*Groove Joint  
Pliers



\*Philips  
Screwdriver



\*Teflon Tape

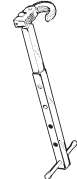


#### Helpful:

\*Supply Lines



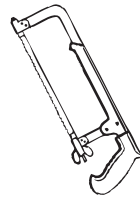
\*Basin Wrench



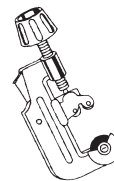
\*Pipe Wrench



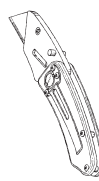
\*Hacksaw



\*Tubing Cutter



\*Utility Knife



\*Eye Protection



### Important Notes:

Be sure to read instructions thoroughly before beginning installation. Do not overtighten any connections or damage may occur. This faucet has an operating range of 20-80 psi.

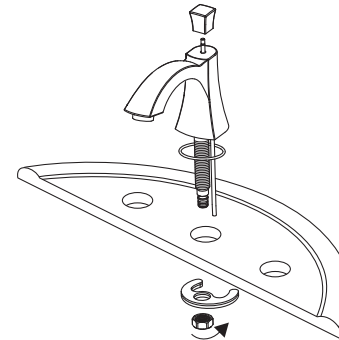
### Safety Tips:

Cover your drain to prevent loss of parts.  
Be sure to wear eye protection while cutting pipe.

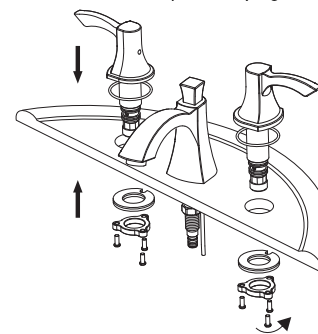
### Maintenance:

Your new Lavatory Faucet is designed for years of trouble-free performance. Keep it looking new by cleaning it periodically with a soft cloth. Avoid abrasive cleaners, steel wool, and harsh chemicals as these will dull the finish and void your warranty.

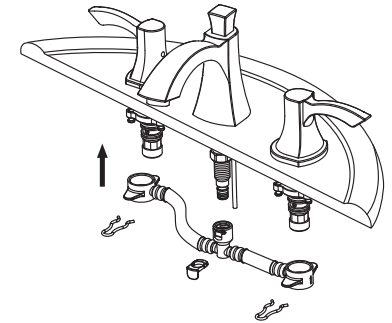
- 1 Shut off water supplies. Remove old faucet. Clean sink surface in preparation for new faucet. Place spout thru mounting hole in sink. Secure spout with rubber washer, metal washer and nut.



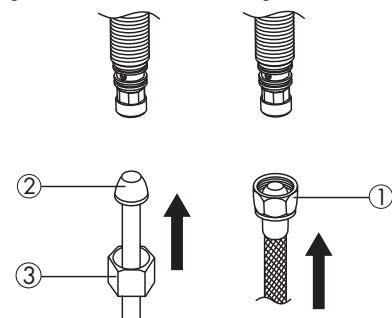
- 2 Slide Hot and Cold end valves thru sink mounting holes. NOTE: Hot side end valve is labeled. Secure end valves with washers and nuts. Hand tighten nuts onto shank. Lock nuts into position by tightening screws.



- 3 Insert flexible hoses into the faucet base as shown, tighten the handle with the clamp spring, and then press the button of the spout in order to set flexible hoses and the faucet.



- 4 Make connections to water lines. Use 1/2" IPS faucet connections (1) or use the supplied coupling nuts (3) with 3/8" O.D. ball nose risers (2). Use wrenches to tighten connections. Do not overtighten.



- 5 Remove flange (1) and rubber washer (2) from POP-UP drain assembly.

